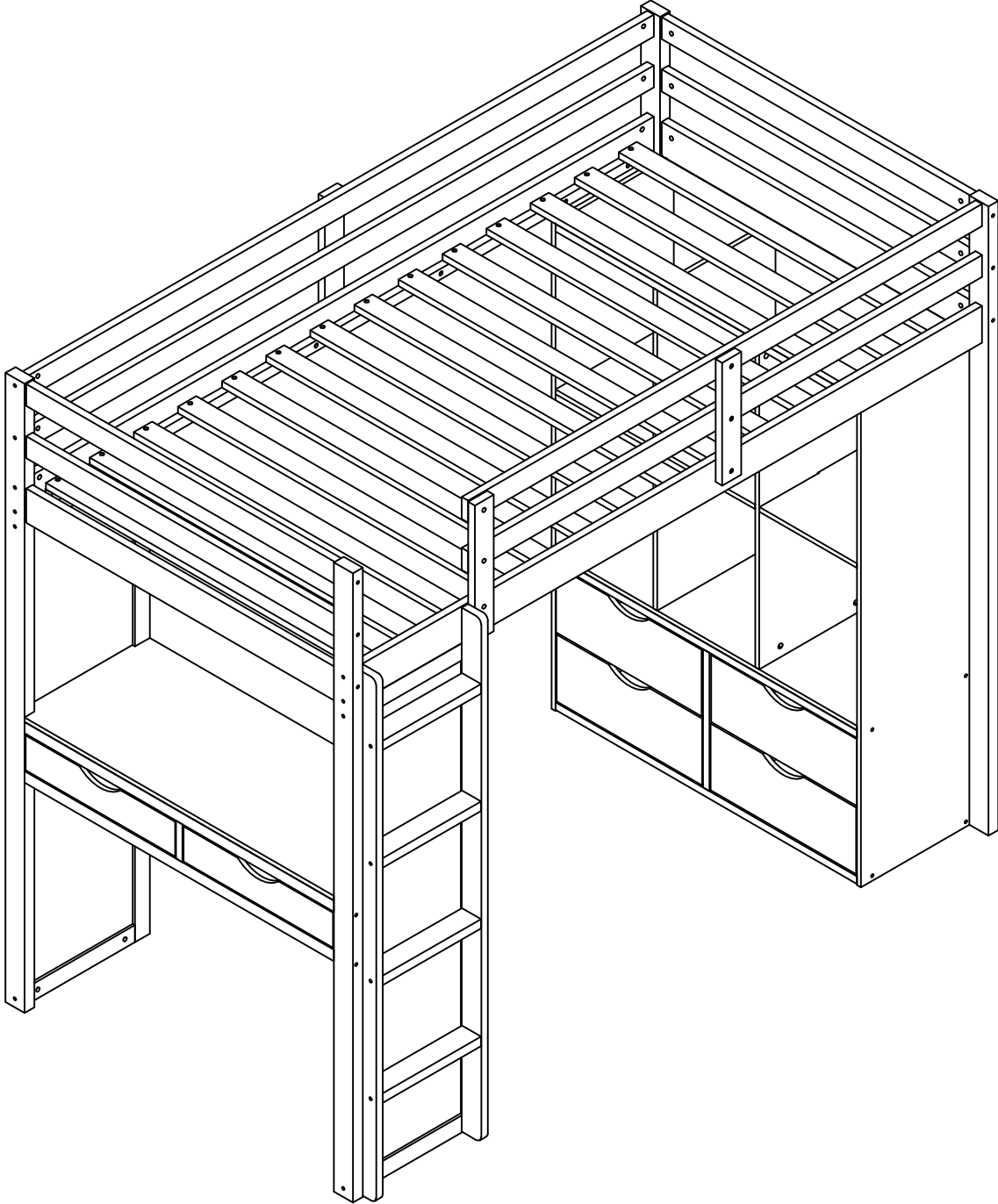


ASSEMBLY INSTRUCTIONS

TWIN LOFT BED WITH CABINET



ASSEMBLY INSTRUCTIONS



SAFETY WARNINGS



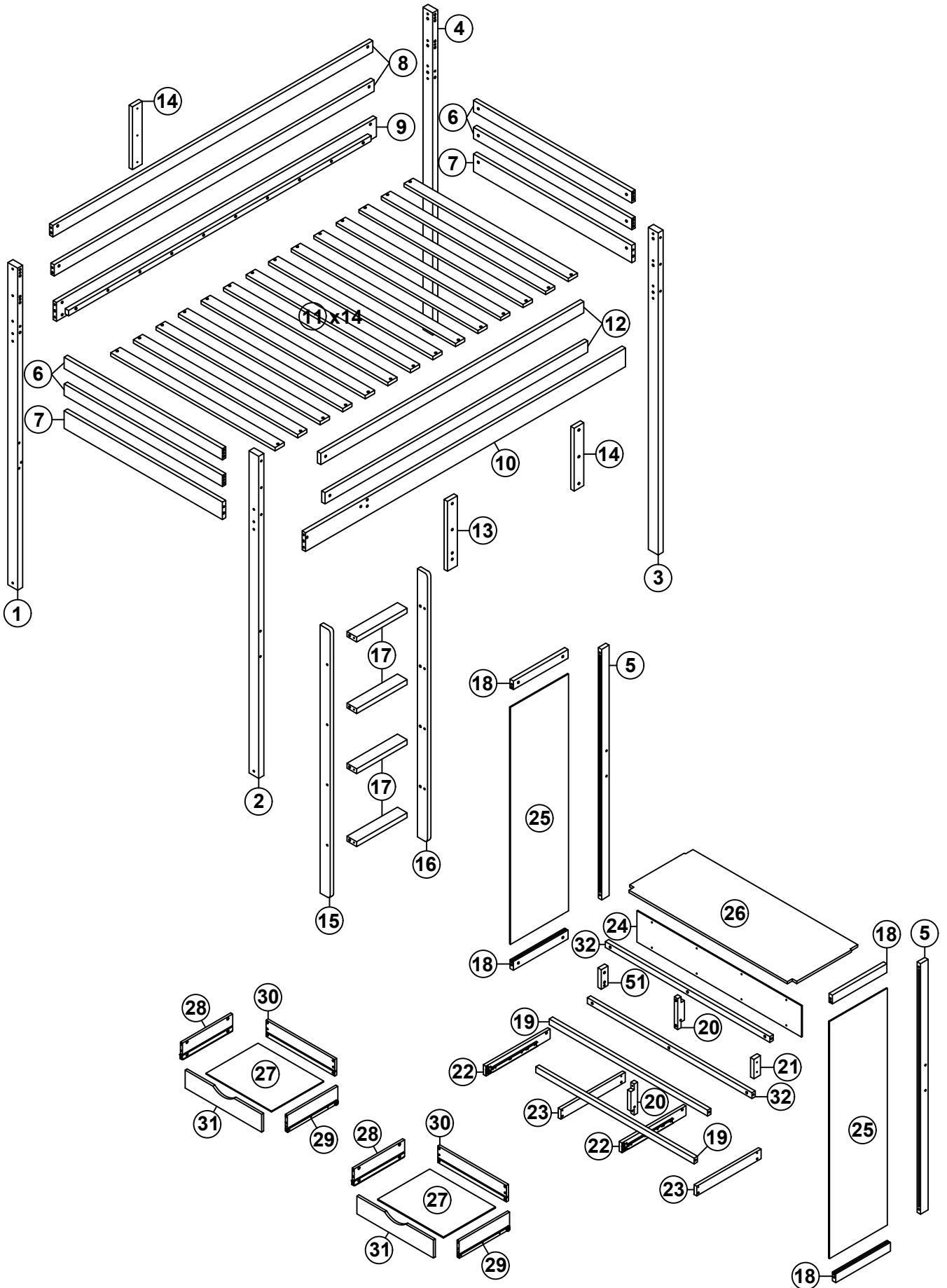
1. This bed is designed for use only mattress (es) meeting the following specifications on the upper bunk, and lower bunk:

Upper bunk (bunk bed and tribed included)

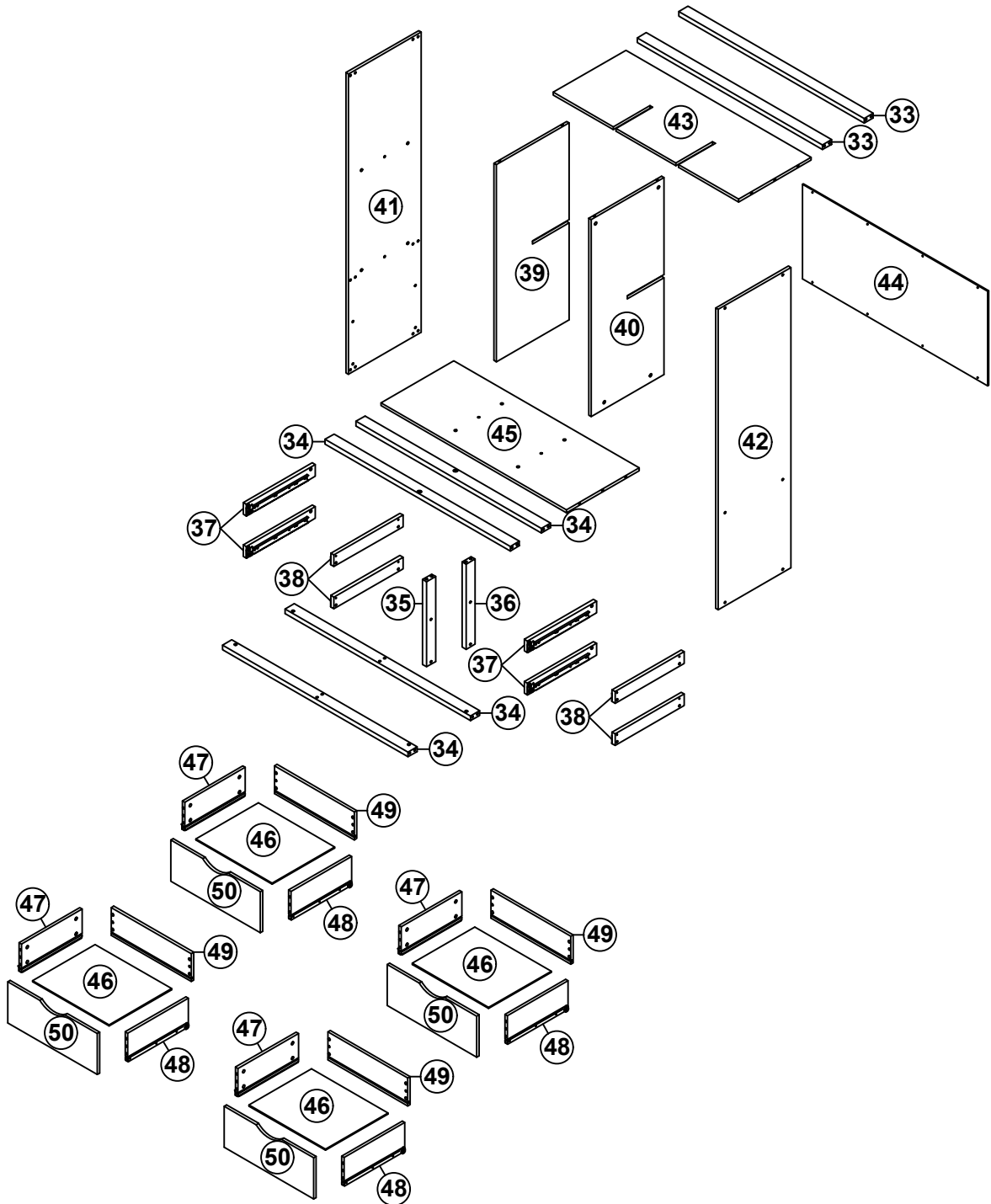
Bed Type	Length	Width	Thickness
Twin Standard	74" - 75"	37 $\frac{1}{2}$ " - 38 $\frac{1}{2}$ "	6" max

2. Replacement parts, including additional guardrails, maybe obtained from any of our (GIGACLOUD TECHNOLOGY (USA) INC. 18961 ARENTH AVENUE CITY OF INDUSTRY, CA, 91748) dealers
3. Follow the information on the warnings appearing on the upper bunk bed end structure and on the carton. Do not remove warning label from bed.
4. Always use the recommended size mattresses or mattress supports, or both, to help prevent the likelihood of entrapment or falls.
5. Surface of mattress must be at least 5" (127mm) below the upper edge of guardrails.
6. Do not allow children under 6 years of age to use the upper bunk.
7. Periodically check and ensure that the guardrail, ladder, and other components are in their proper position, free from damage, and that all connectors are tight.
8. Do not allow horseplay on or under the bed and prohibit jumping on the bed.
9. Always use the ladder for entering and leaving the upper bunk.
10. Do not use substitute part. Contact the manufacture or dealer for replacement part.
11. Use of a night light may provide added safety precaution for a child using the upper bunk.
12. Always use guardrails on both long sides of the upper bunk. If the bunk bed will be placed next to the wall, the guardrail that runs the full length of the bed should be placed against the wall to prevent entrapment between the bed and wall.
13. The use of water or sleep flotation mattresses is prohibited.
14. **STRANGULATION HAZARD** - Never attach or hang items to any part of the bunk bed that are not designed for use with the bed; for example, but not limited to, hook, belts and jump ropes.
15. Keep these instruction for future reference.
16. Prohibit more than one person on upper bunk
17. We recommend assembling your bunk bed on the shipping carton to protect your floor or carpet.
18. Be certain all staples are out of the box before beginning assembly on the shipping carton.

ASSEMBLY INSTRUCTIONS

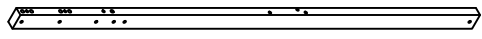
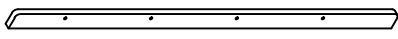
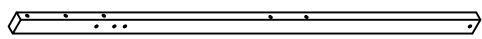
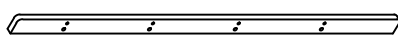
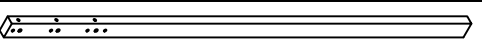
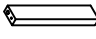
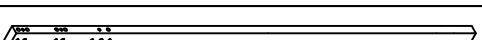
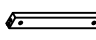


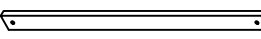
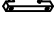
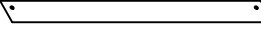

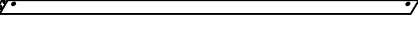
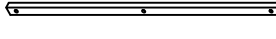
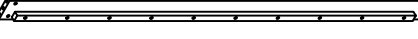
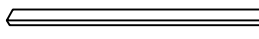

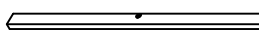
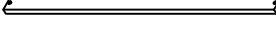
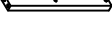
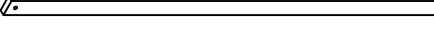
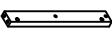
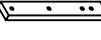

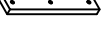


ASSEMBLY INSTRUCTIONS


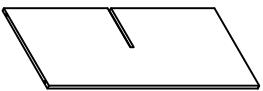


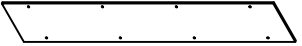
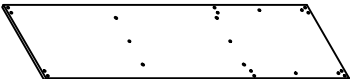

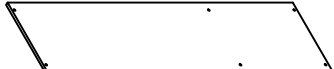



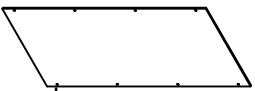




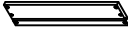


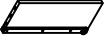


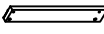



ASSEMBLY INSTRUCTIONS

(Hardware in this SKU)












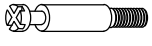





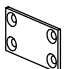


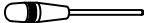
1	 Leg	1pc	15	 Stair stand	1pc
2	 Leg	1pc	16	 Stair stand	1pc
3	 Leg	1pc	17	 Step stair	4pcs
4	 Leg	1pc	18	 Headboard panels	4pcs
5	 Leg	2pcs	19	 Table crossbar	2pcs
6	 Headboard panel	4pcs	20	 Table frame support	2pcs
7	 Headboard panel	2pcs	21	 Table frame support	1pc
8	 Back guard rails	2pcs	32	 Table crossbar	2pcs
9	 Side rail	1pc	33	 Top cabinet crossbar	2pcs
10	 Side rail	1pc	34	 Table cabinet crossbar	4pcs
11	 Slats	14pcs	35	 Support cabinet frame	1pc
12	 Front guard rails	2pcs	36	 Support cabinet frame	1pc
13	 Guard rails support	1pc	51	 Support table frame	1pc
14	 Guard rails support	2pcs			

ASSEMBLY INSTRUCTIONS

22	 Drawers panel support	2pcs	39	 Shelves panels	1pc
23	 Drawers panel support	2pcs	40	 Shelves panels	1pc
24	 Table frame panel	1pc	41	 Left side shelves	1pc
25	 Table frame side	2pcs	42	 Right side shelves	1pc
26	 Table top panel	1pc	43	 Shelves top panels	1pc
27	 Bottom drawers panel	2pcs	44	 Back shelves panels	1pc
28	 Left drawers panel	2pcs	45	 Shelves bottom panels	1pc
29	 Right drawers panel	2pcs	46	 Bottom drawers panel	4pcs
30	 Back drawers panel	2pcs	47	 Left drawers panel	4pcs
31	 Front drawers panel	2pcs	48	 Right drawers panel	4pcs
37	 Drawers panel support	4pcs	49	 Back drawers panel	4pcs
38	 Drawers panel support	4pcs	50	 Front drawers panel	4pcs

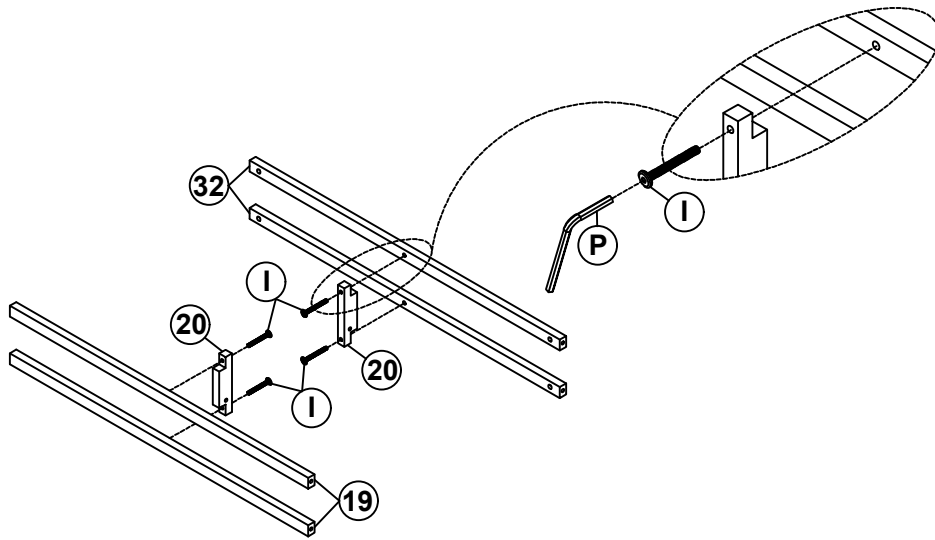
ASSEMBLY INSTRUCTIONS


(Hardware in this SKU)

A	Ø4x30		38PCS	L	6.5x60		10PCS
B	Ø4x20		24PCS	M	Ø10x40		38PCS
C	Ø4x15		20PCS	N	Ø8x30		46PCS
D	Ø3.5x12		20PCS	O	Ø8x20		24PCS
E	1/4x110		16PCS	P	4x58		1PC
F	1/4x90		4PCS	Q	Ø 6.5x35		64PCS
G	1/4x75		18PCS	R	Ø12x10		64PCS
H	1/4x60		20PCS	S	15x15x2		10PCS
I	1/4x30		4PCS	T	50x28x2		1PC
K	1/4x35		4PCS	U			1PC
					Phillip head screw Not include		

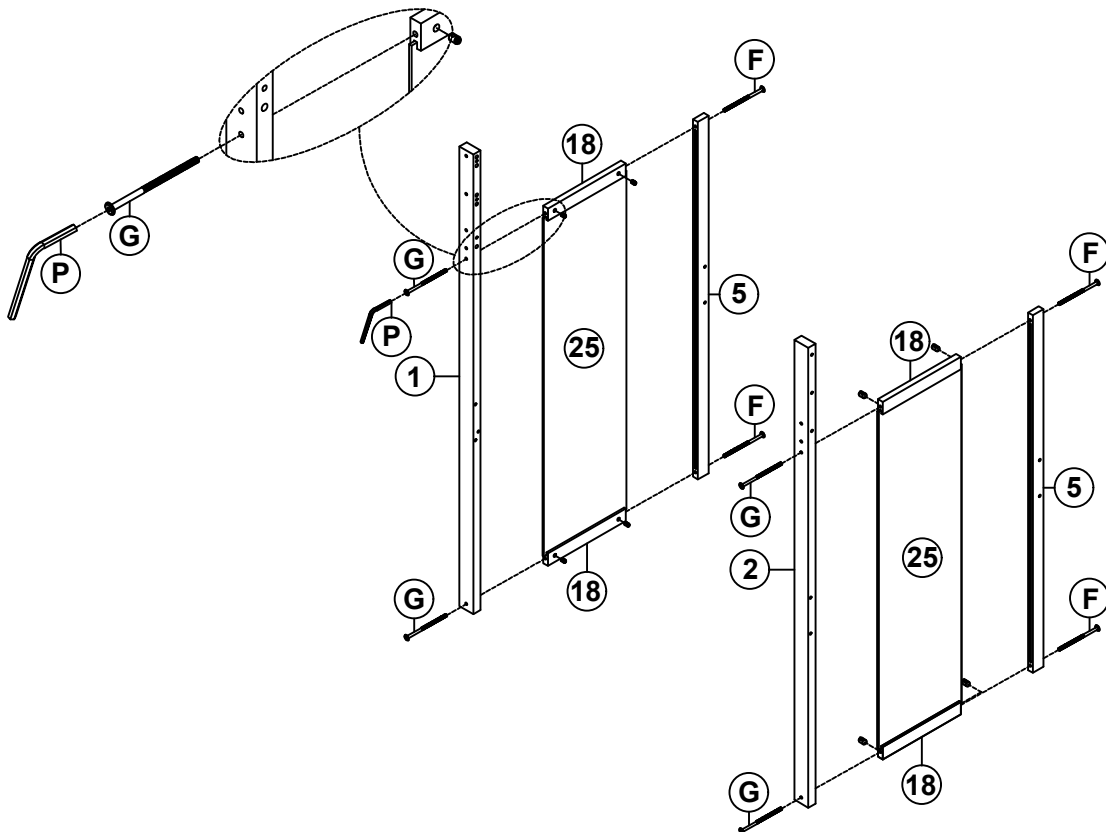
ASSEMBLY INSTRUCTIONS



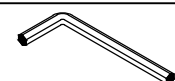
Step 1



I	1/4x30		4PCS	P	4x58		1PC
----------	--------	-----------------------------------------------------------------------------------	------	----------	------	-------------------------------------------------------------------------------------	-----

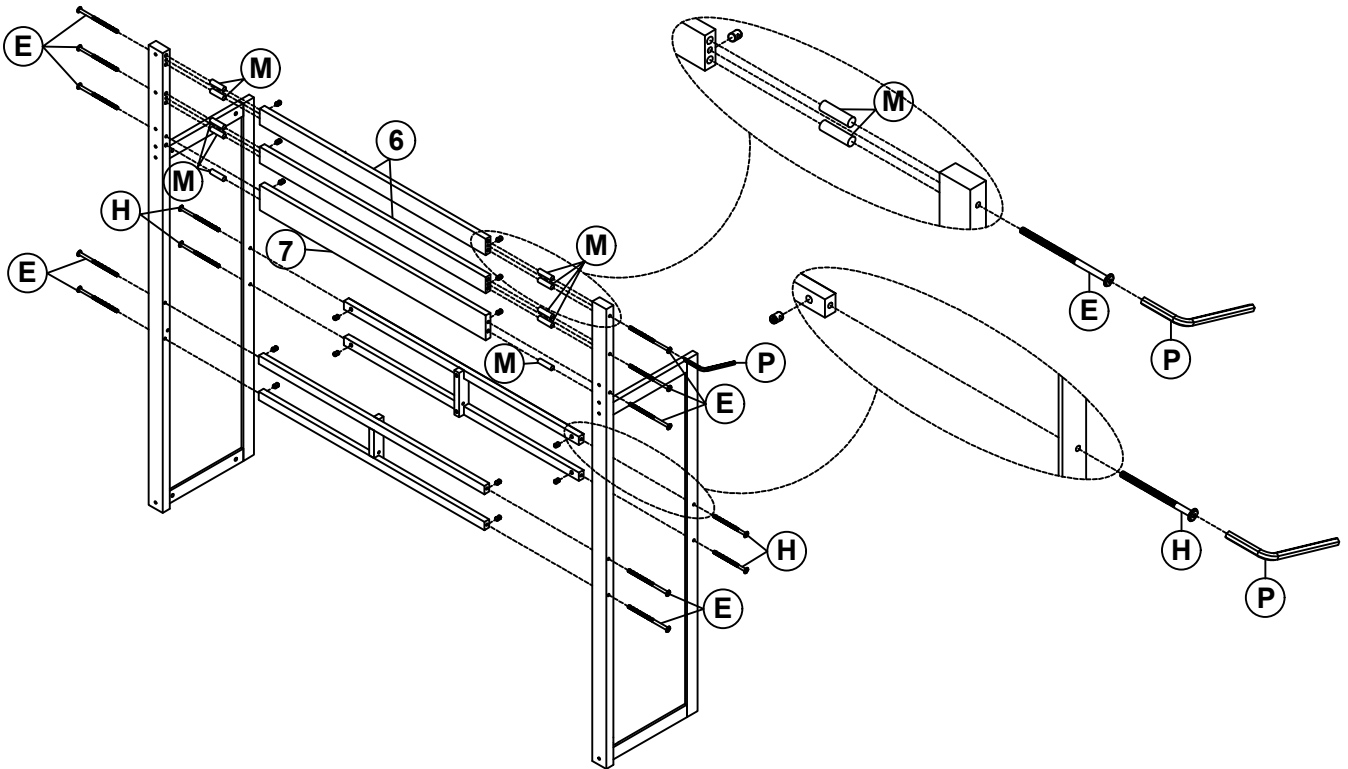
Step 2




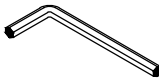


G	1/4x75		4PCS				
F	1/4x90		4PCS	P	4x58		1PC

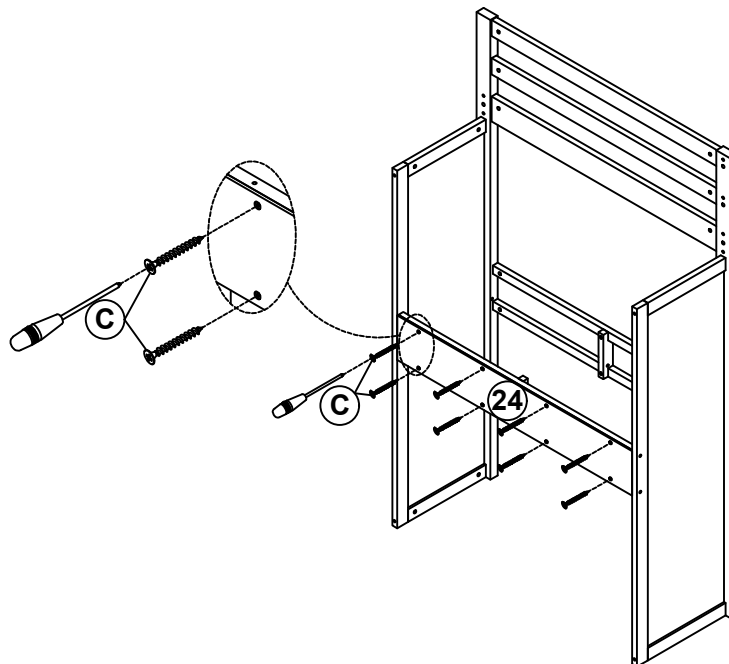
ASSEMBLY INSTRUCTIONS


Step 3



E	1/4x110		10PCS	H	1/4x60		4PCS
M	Ø10x40		10PCS	P	4x58		1PC

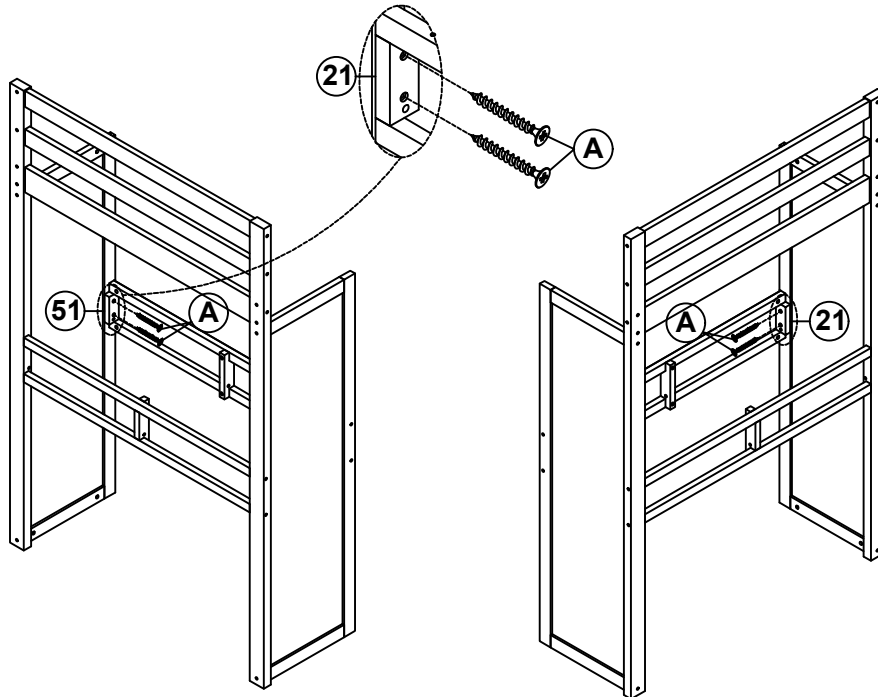
Step 4



C	Ø4x15		8PCS
----------	-------	-------------------------------------------------------------------------------------	------

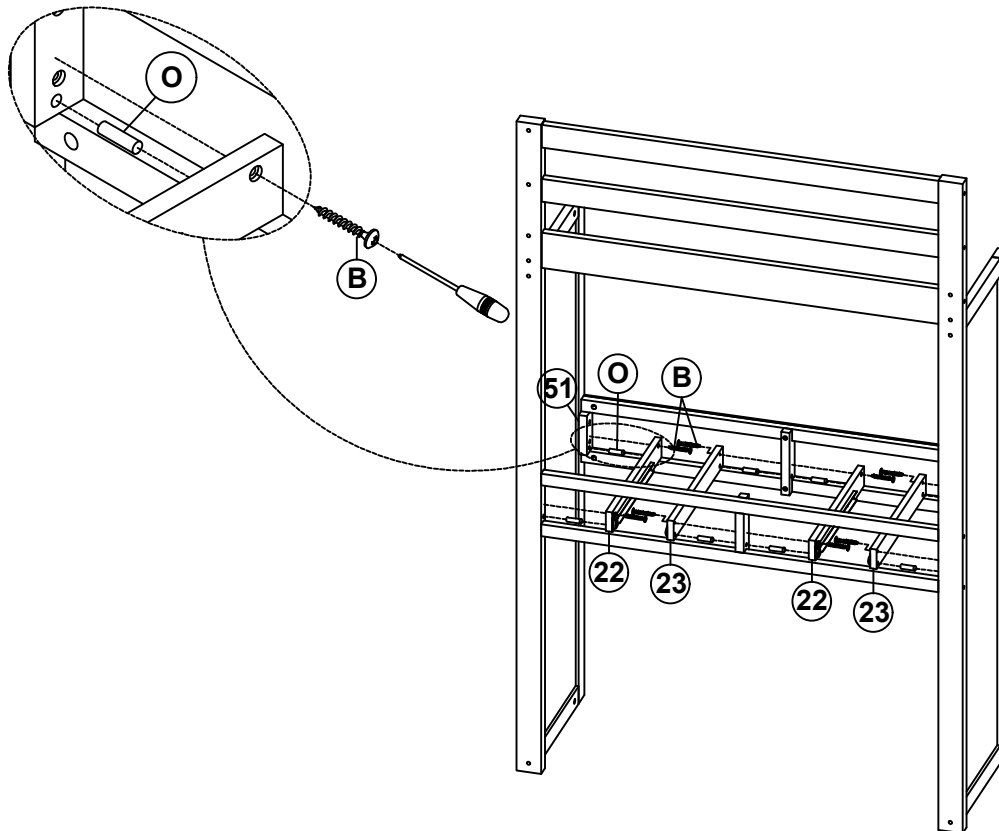
ASSEMBLY INSTRUCTIONS


Step 5



A	Ø4x30		4PCS
----------	-------	-----------------------------------------------------------------------------------	------

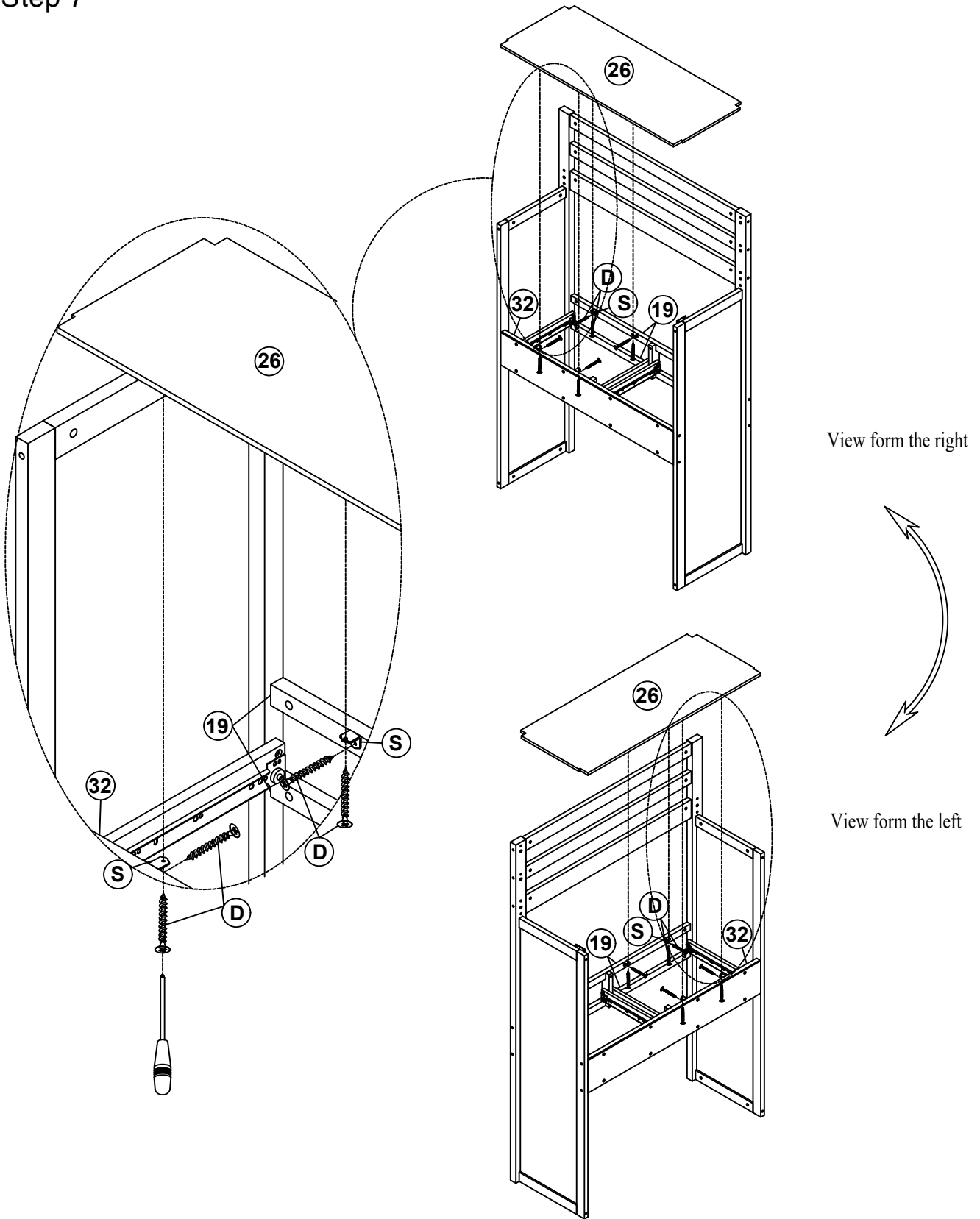
Step 6




B	Ø4x20		8PCS	O	Ø8x20		8PCS
----------	-------	-------------------------------------------------------------------------------------	------	----------	-------	---------------------------------------------------------------------------------------	------

ASSEMBLY INSTRUCTIONS

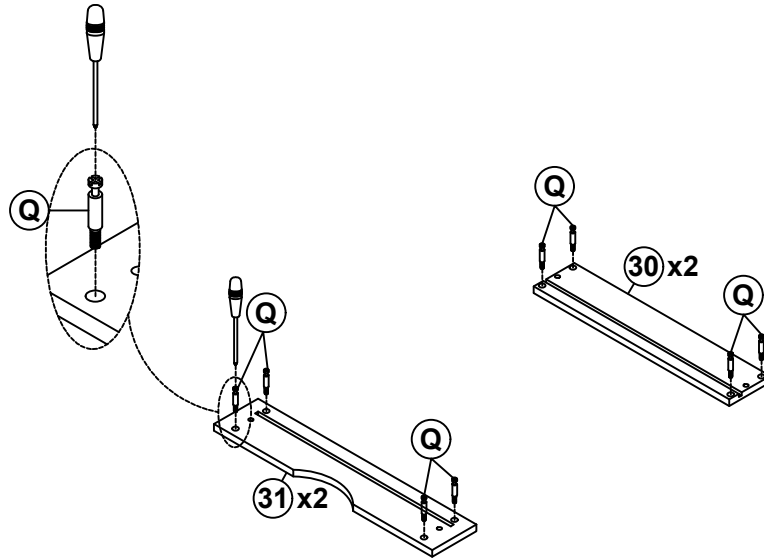
Step 7



D	Ø3.5x12		16PCS	S	15x15x2		8PCS
----------	---------	-------------------------------------------------------------------------------------	-------	----------	---------	---------------------------------------------------------------------------------------	------

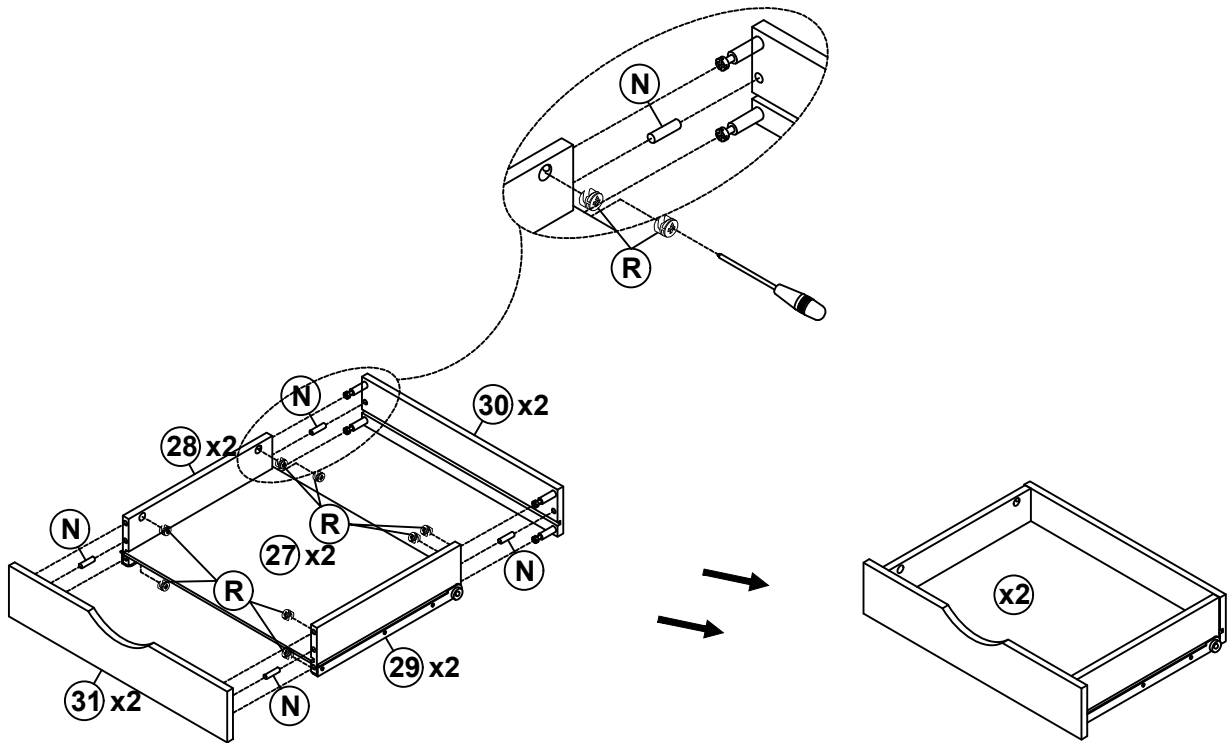
ASSEMBLY INSTRUCTIONS



Step 8



Q	Ø 6.5x35		16PCS
----------	----------	-----------------------------------------------------------------------------------	-------

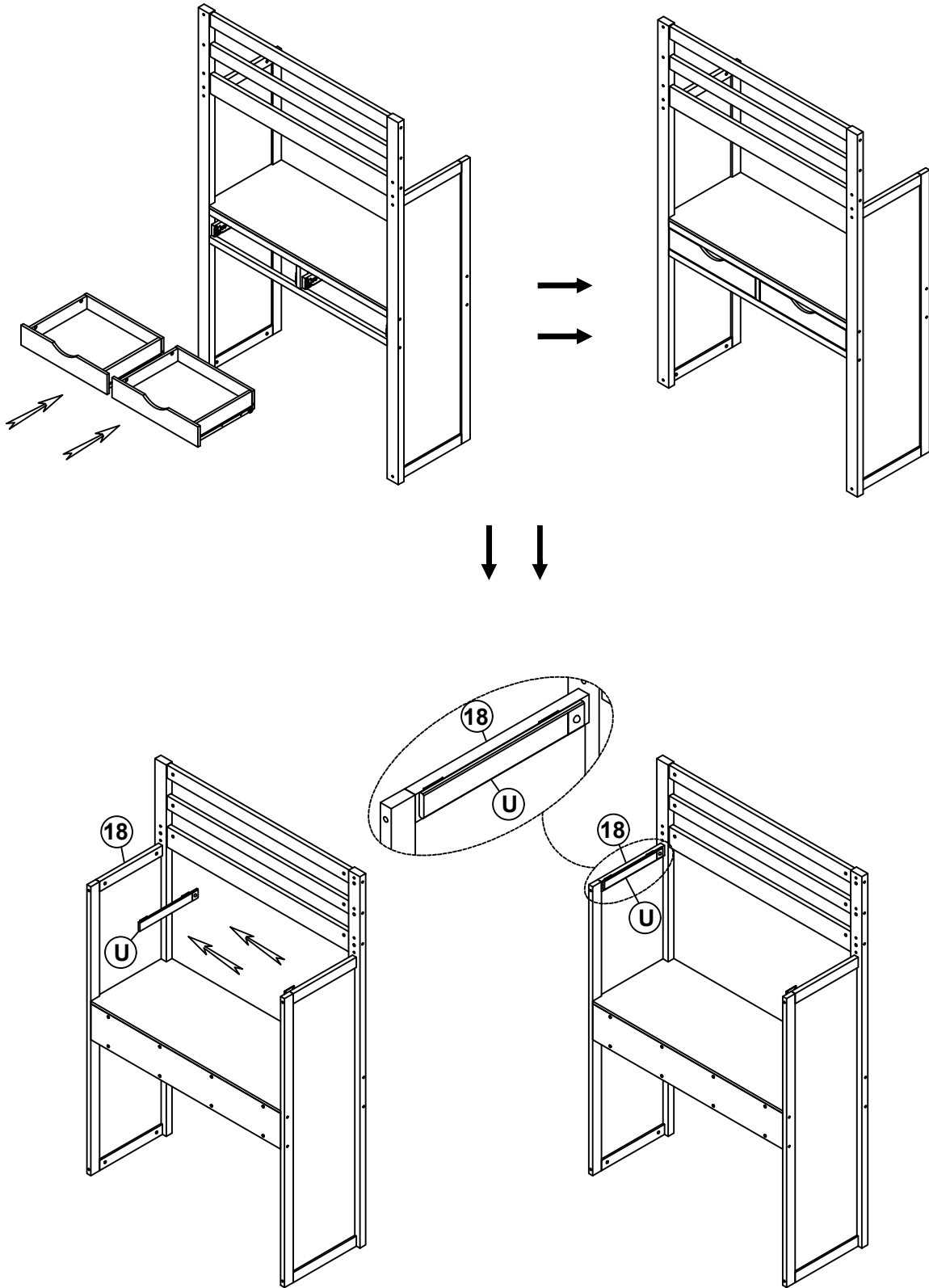
Step 9



R	Ø12x10		16PCS	N	Ø8x30		8PCS
----------	--------	-------------------------------------------------------------------------------------	-------	----------	-------	---------------------------------------------------------------------------------------	------

ASSEMBLY INSTRUCTIONS

Step 10



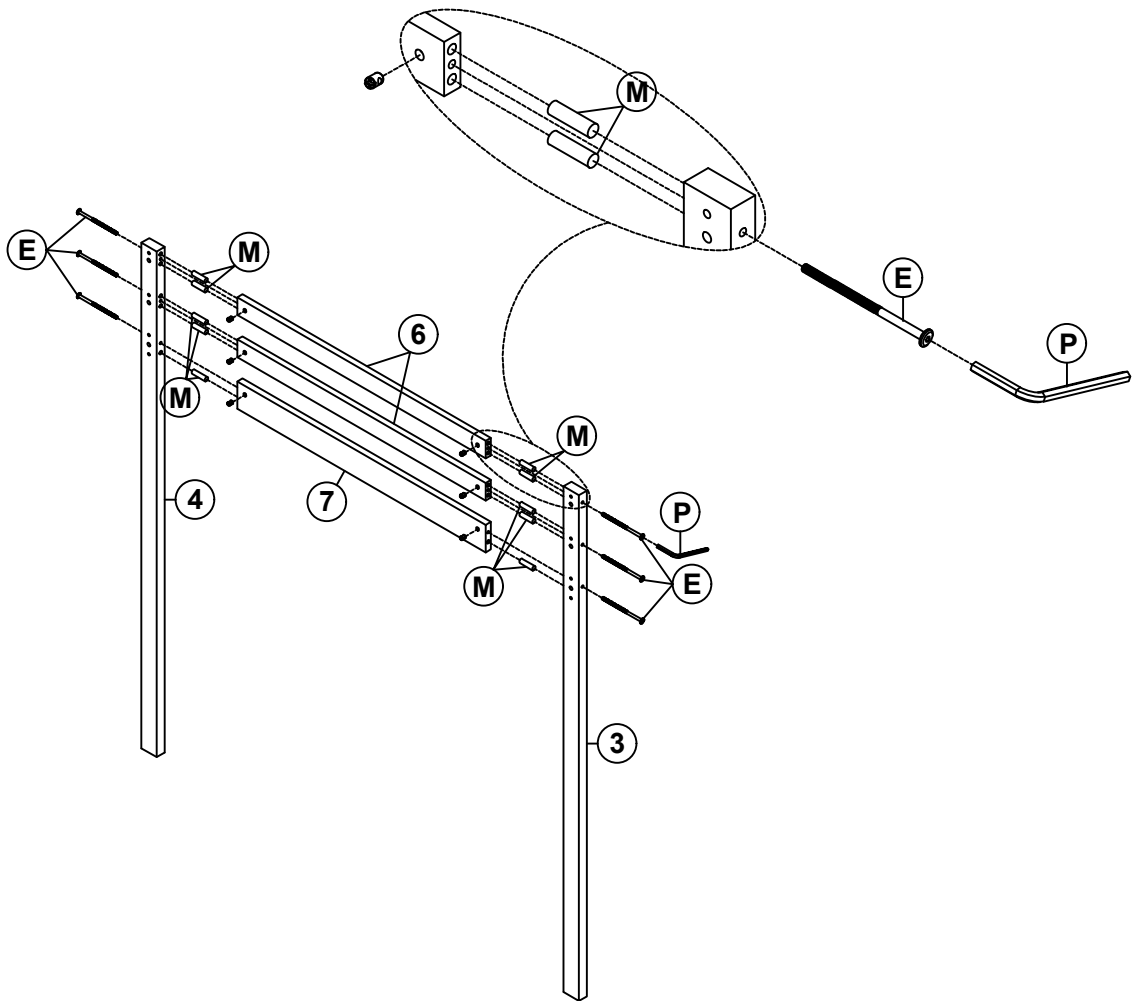
U






1PC

ASSEMBLY INSTRUCTIONS

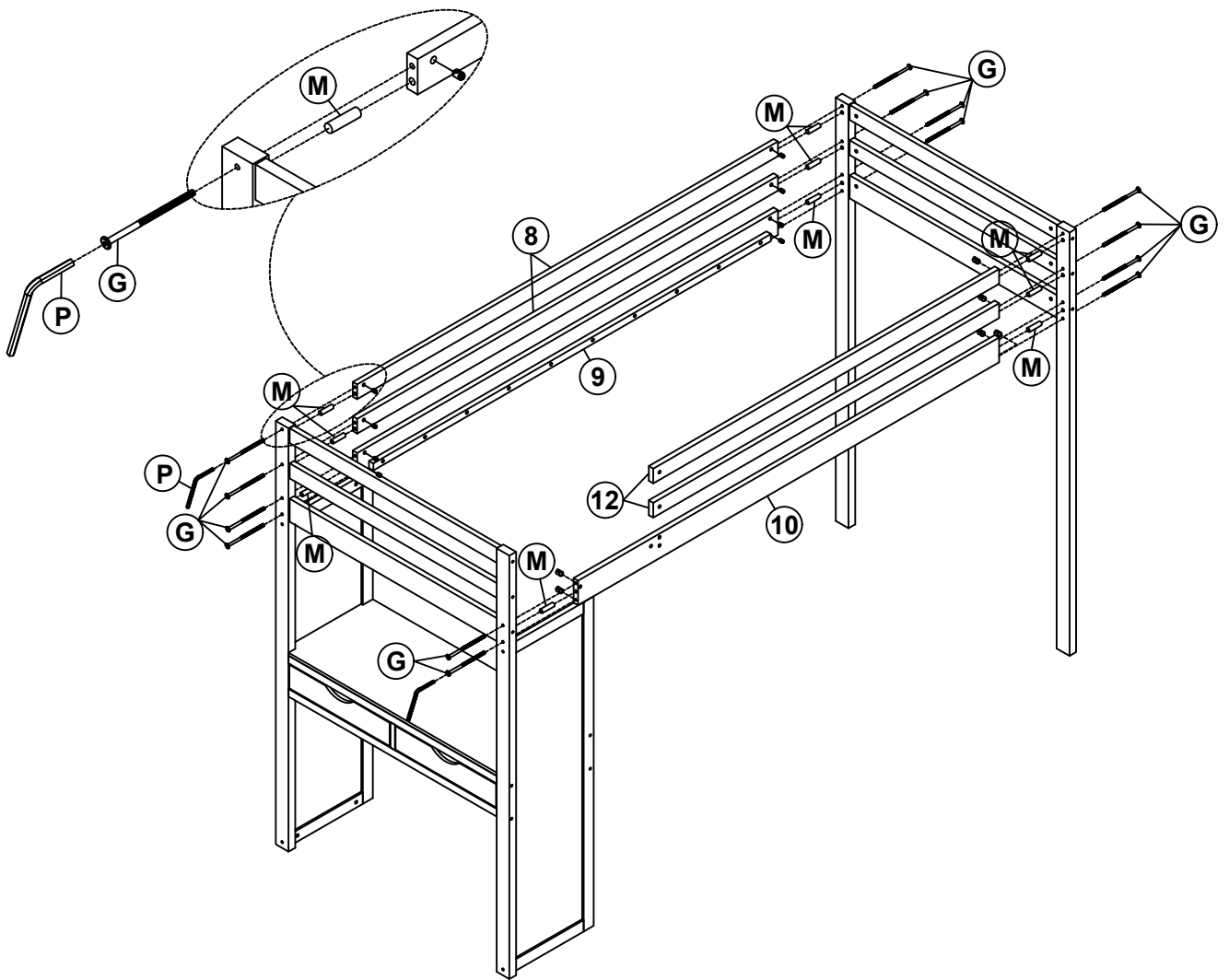
Step 11






P	4x58		1PC			
E	1/4x110		6PCS	M	Ø10x40	 10PCS

ASSEMBLY INSTRUCTIONS

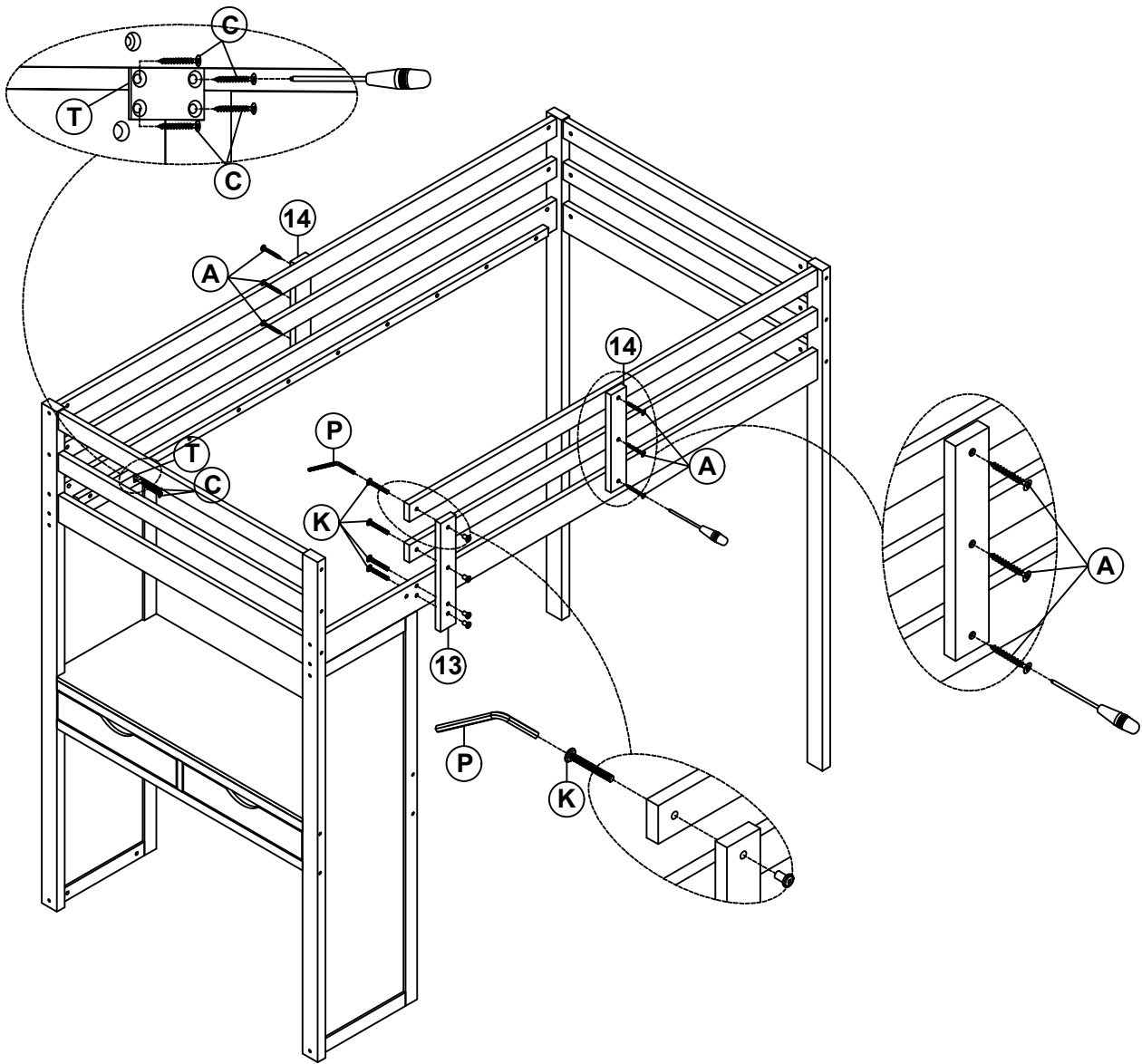
Step 12


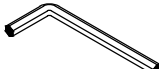
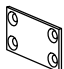




P	4x58		1PC				
G	1/4x75		14PCS	M	Ø10x40		10PCS

ASSEMBLY INSTRUCTIONS

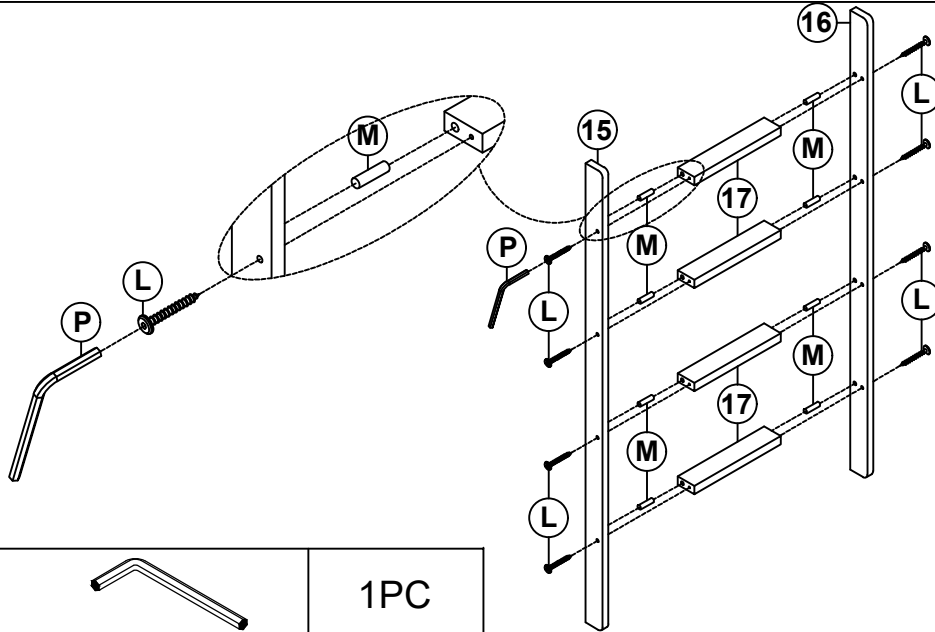
Step 13






C	Ø4x15		4PCS			
P	4x58		1PC	T	50x28x2	 1PC
K	1/4x35		4PCS	A	Ø4x30	 6PCS

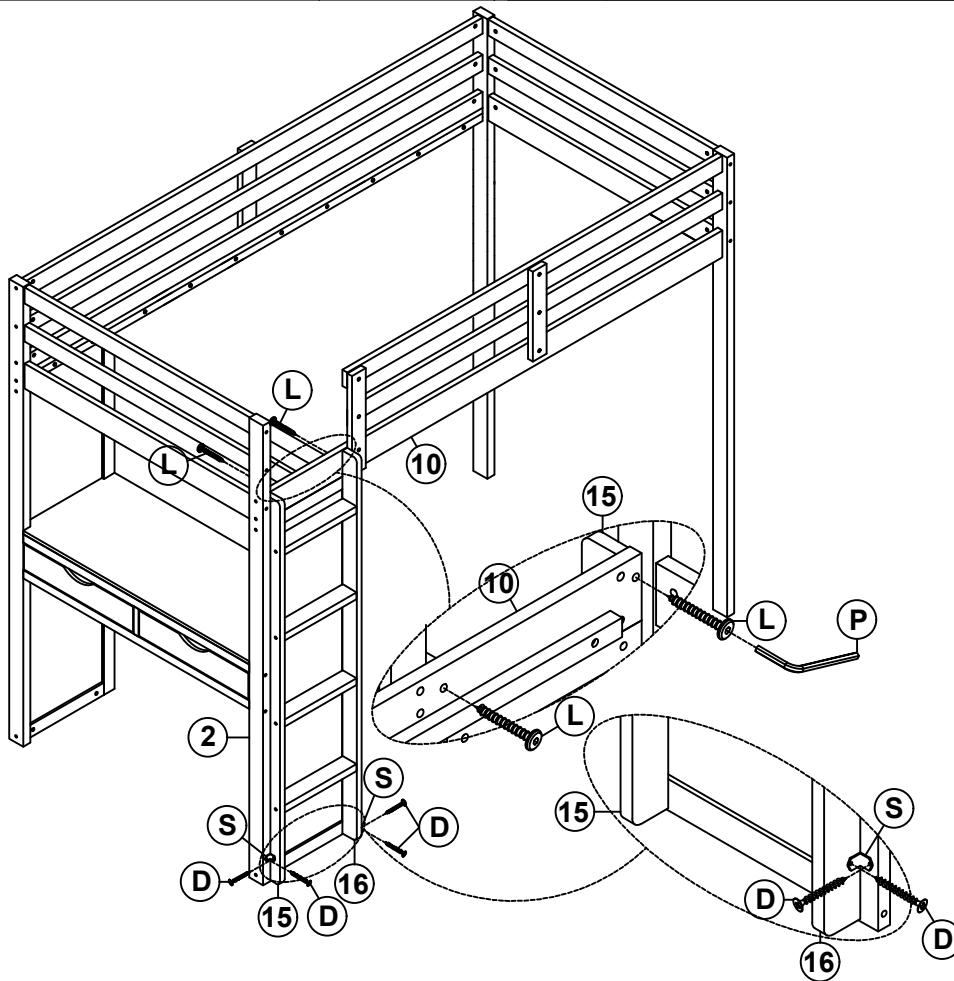
ASSEMBLY INSTRUCTIONS





Step 14



P	4x58		1PC				
L	6.5x60		8PCS	M	Ø10x40		8PCS

Step 15

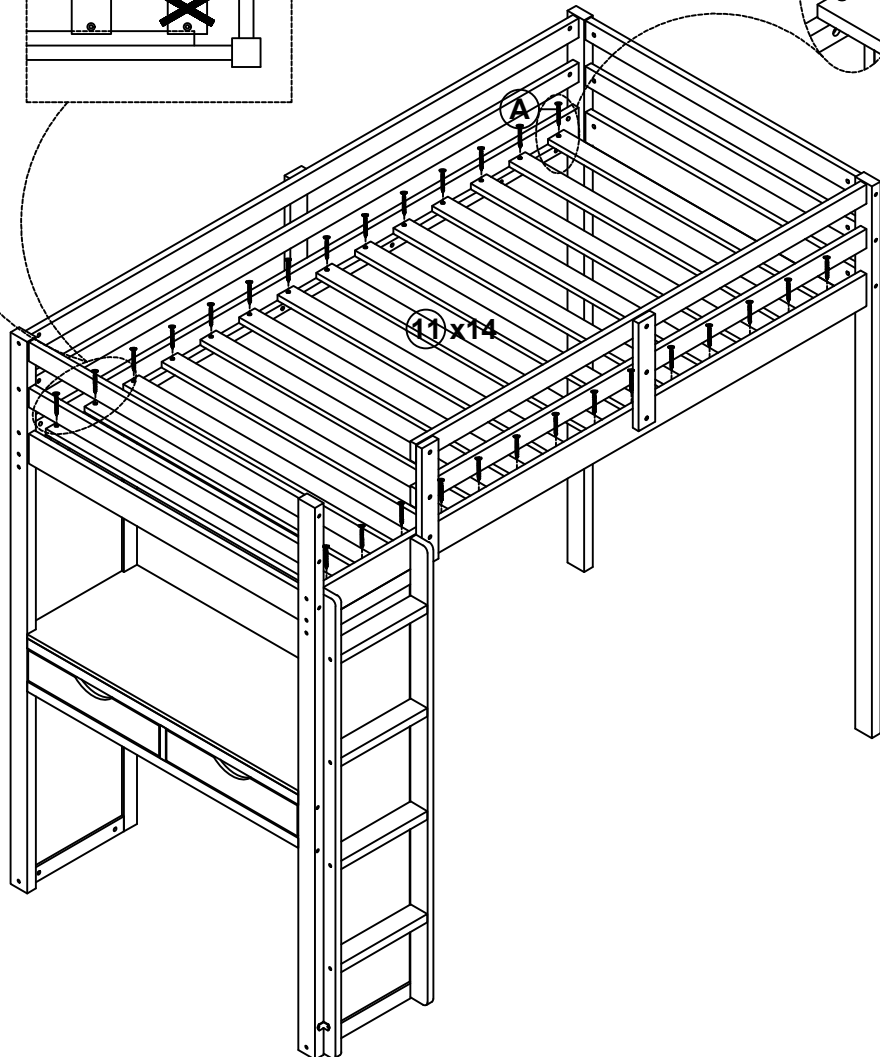
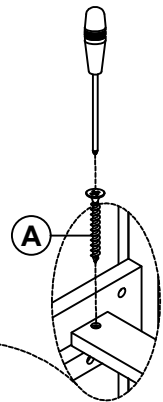
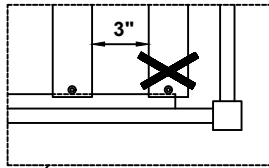
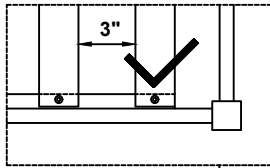


P	4x58		1PC	L	6.5x60		2PCS
D	Ø3.5x12		4PCS	S	15x15x2		2PCS

ASSEMBLY INSTRUCTIONS

Step 16

First attach 2pcs part 11 to the front and end of the frame between headboard. Then attach the remaining part 11 equidistantly between headboard



A

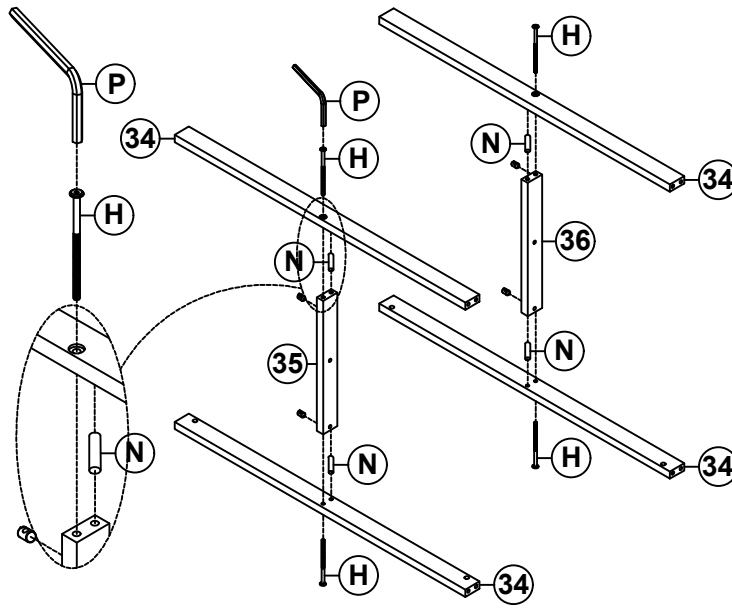
Ø4x30






28PCS

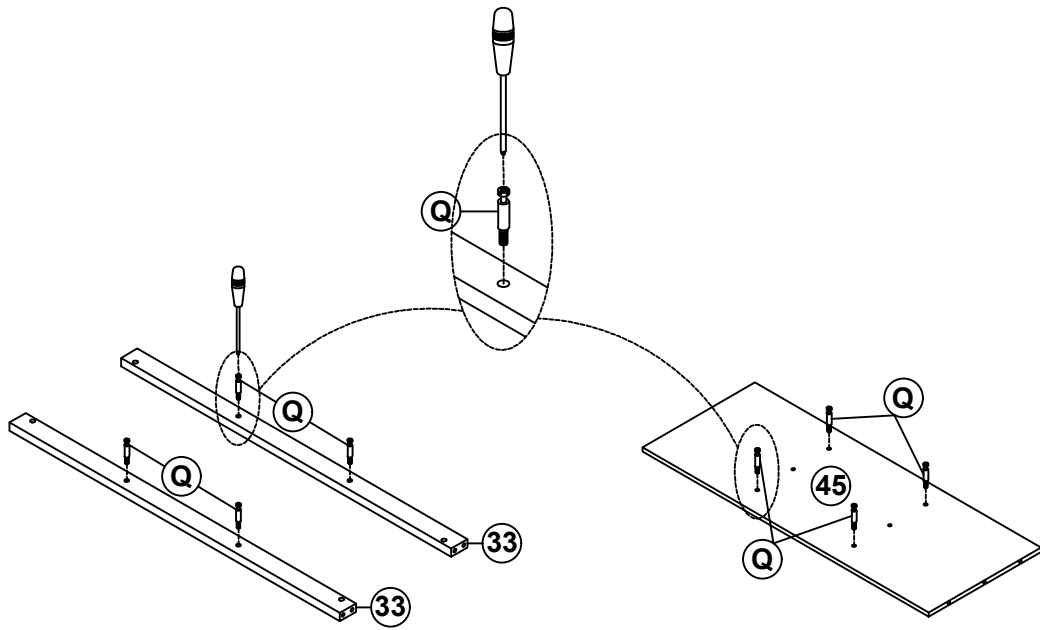
ASSEMBLY INSTRUCTIONS


Step 17



P	4x58		1PC			
H	1/4x60		4PCS	N	Ø8x30	 4PCS

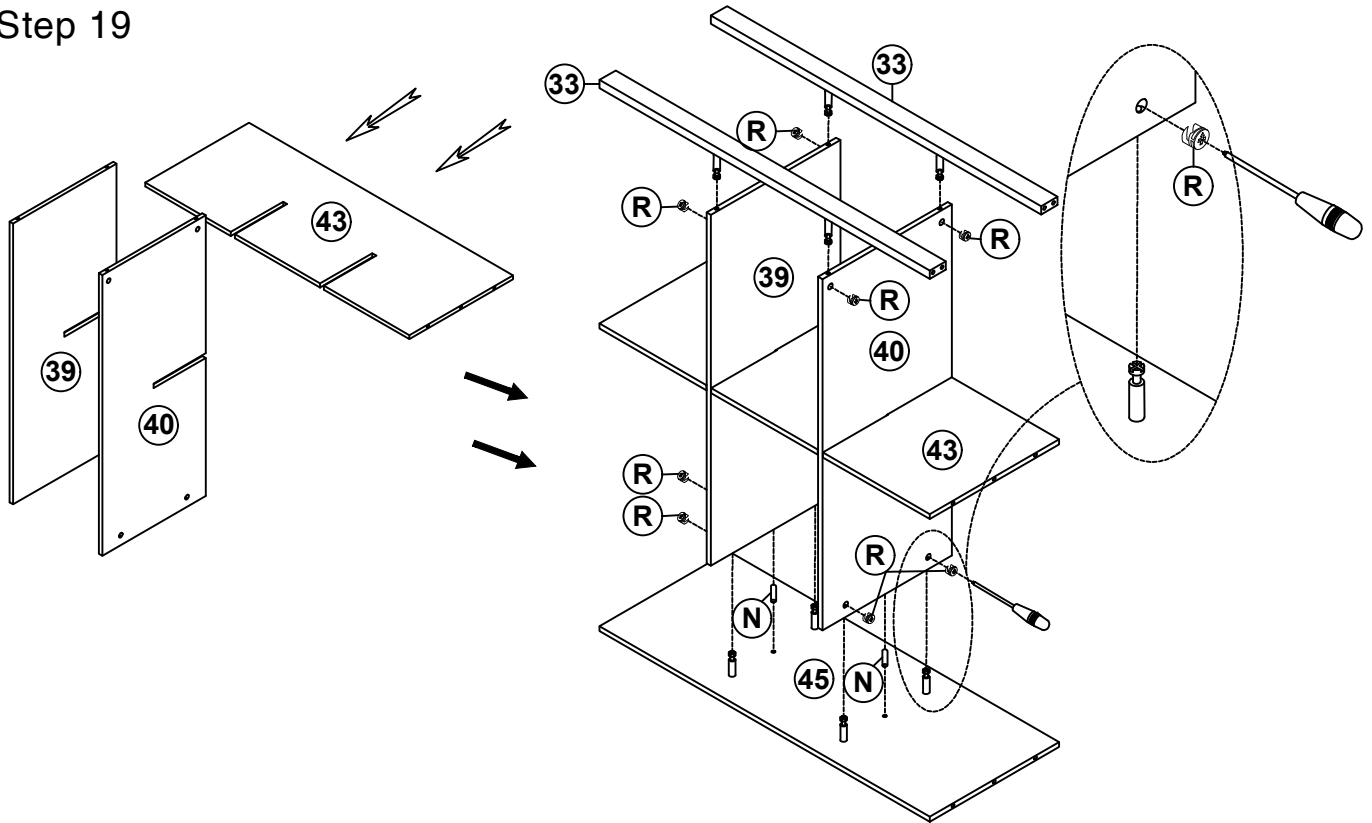
Step 18



Q	Ø 6.5x35		8PCS
----------	----------	-------------------------------------------------------------------------------------	------

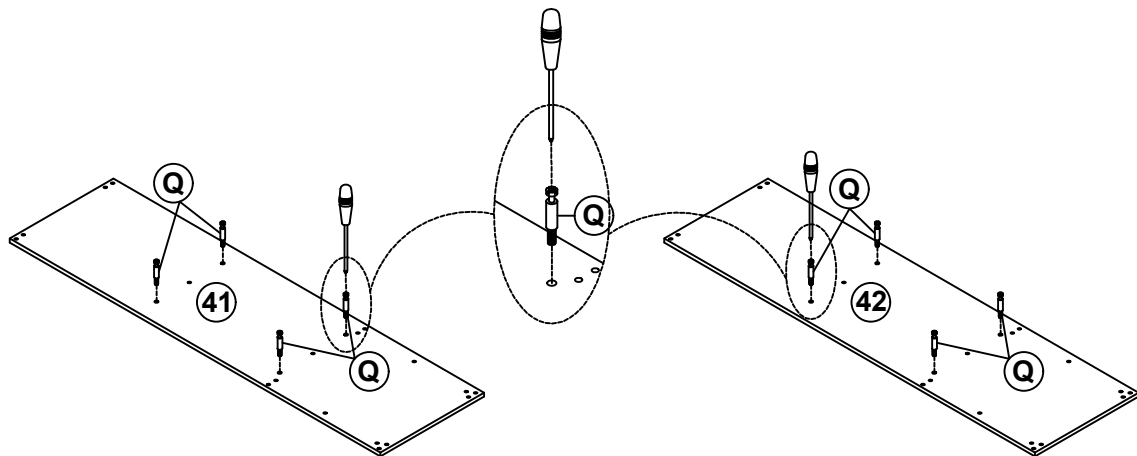
ASSEMBLY INSTRUCTIONS

Step 19



R	Ø12x10		8PCS	N	Ø8x30		2PCS
----------	--------	-------------------------------------------------------------------------------------	------	----------	-------	---------------------------------------------------------------------------------------	------

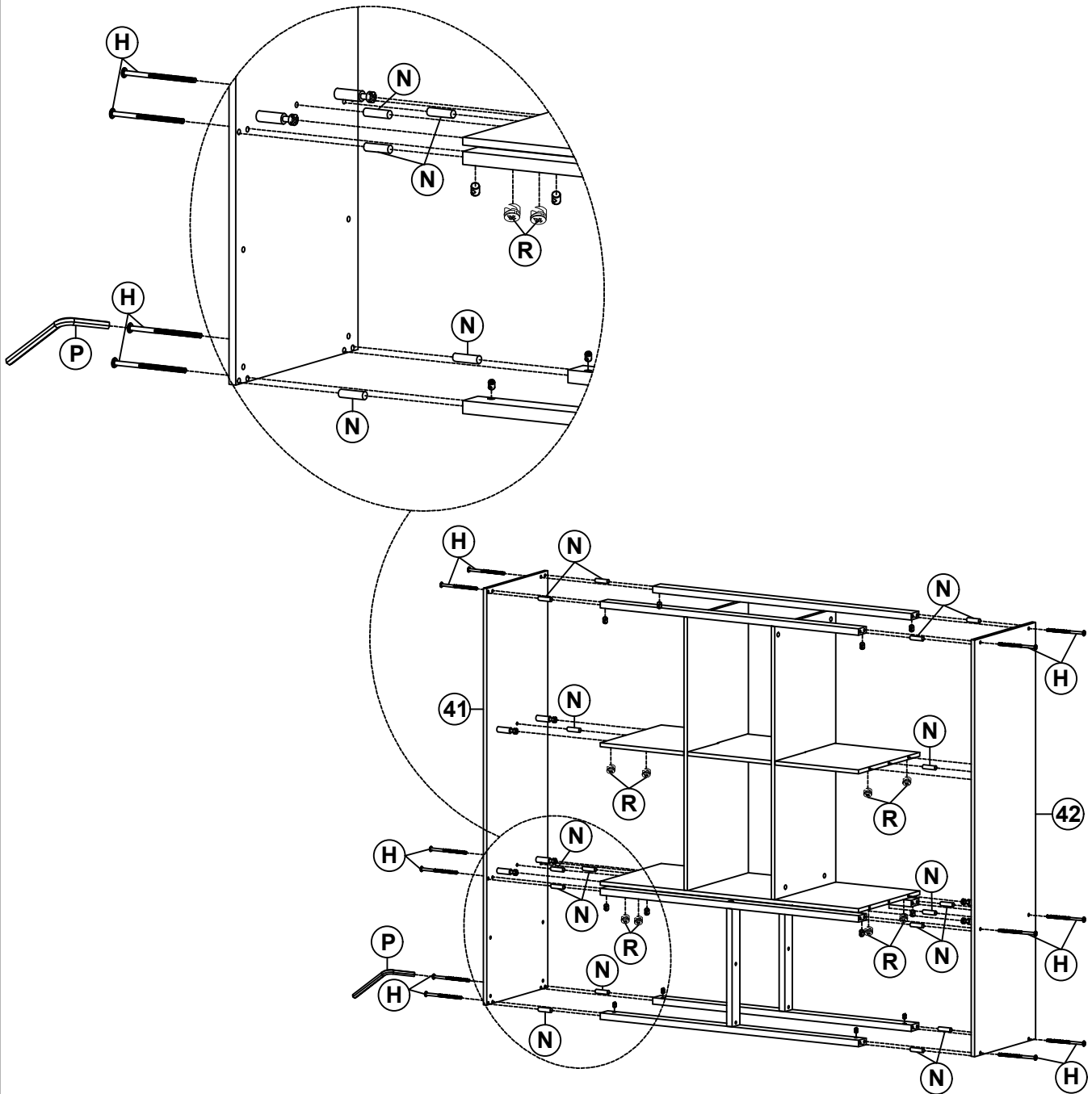
Step 20







Q	Ø 6.5x35		8PCS
----------	----------	-------------------------------------------------------------------------------------	------

ASSEMBLY INSTRUCTIONS

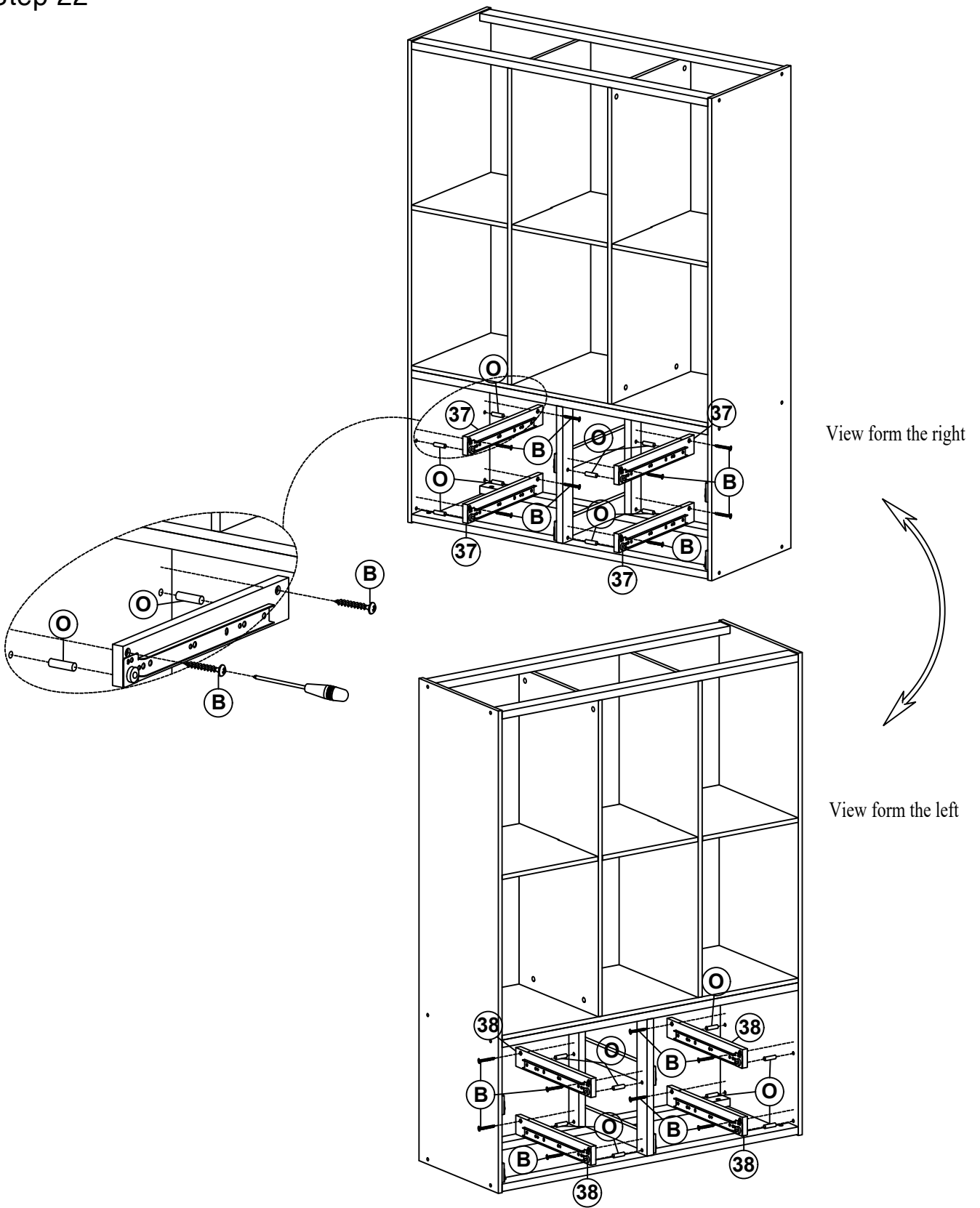
Step 21





R	Ø12x10		8PCS	P	4x58		1PC
H	1/4x60		12PCS	N	Ø8x30		16PCS

ASSEMBLY INSTRUCTIONS

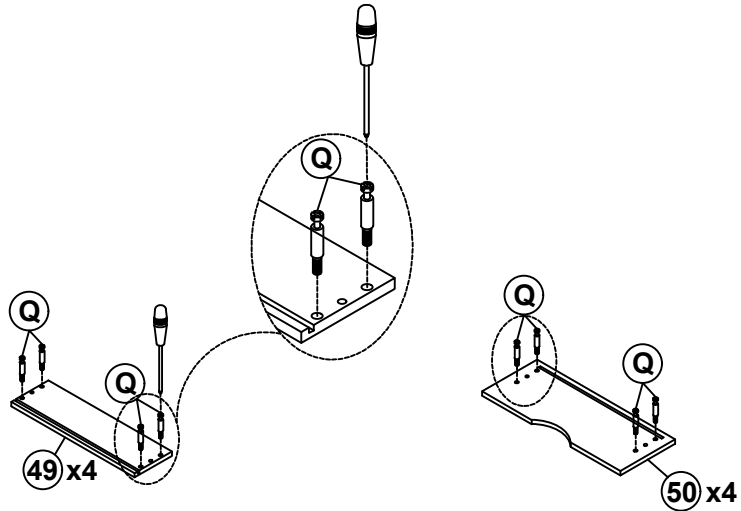
Step 22



B	Ø4x20		16PCS	O	Ø8x20		16PCS
----------	-------	-------------------------------------------------------------------------------------	-------	----------	-------	---------------------------------------------------------------------------------------	-------

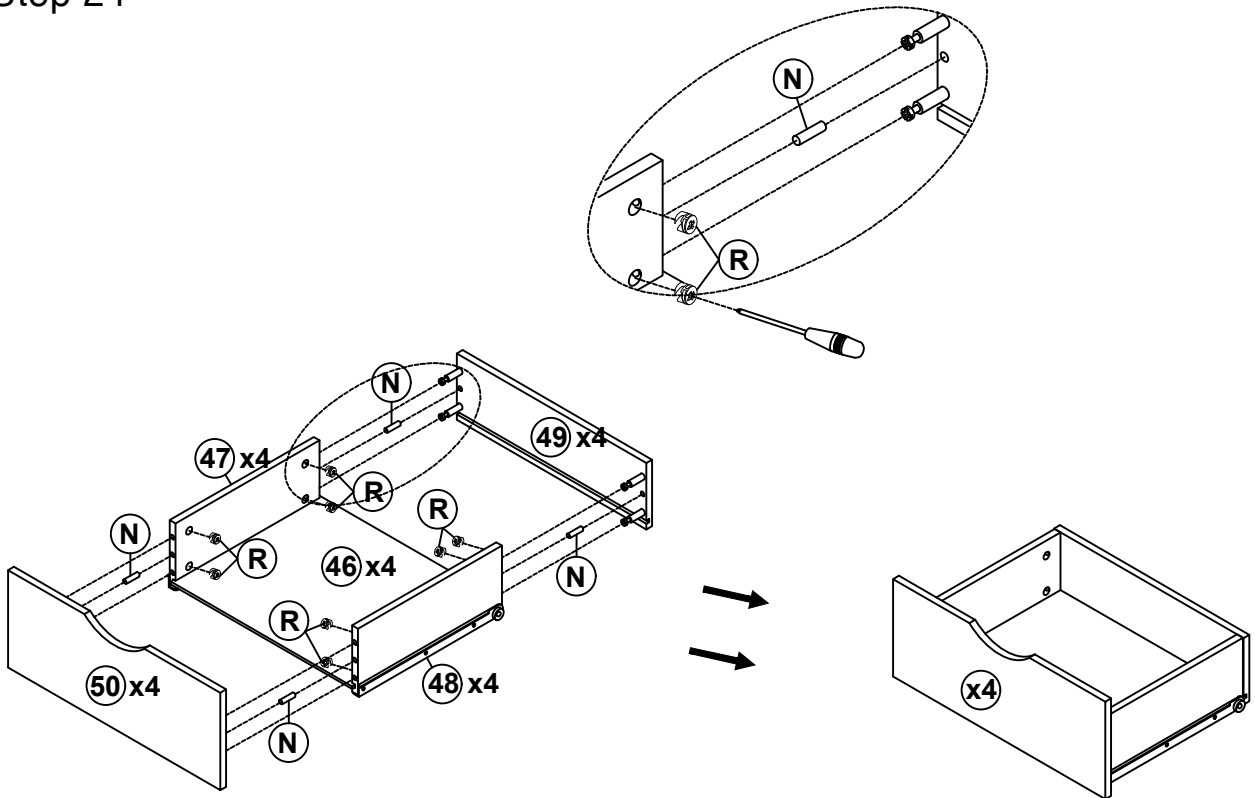
ASSEMBLY INSTRUCTIONS



Step 23



Q	Ø 6.5x35		32PCS
----------	----------	-----------------------------------------------------------------------------------	-------

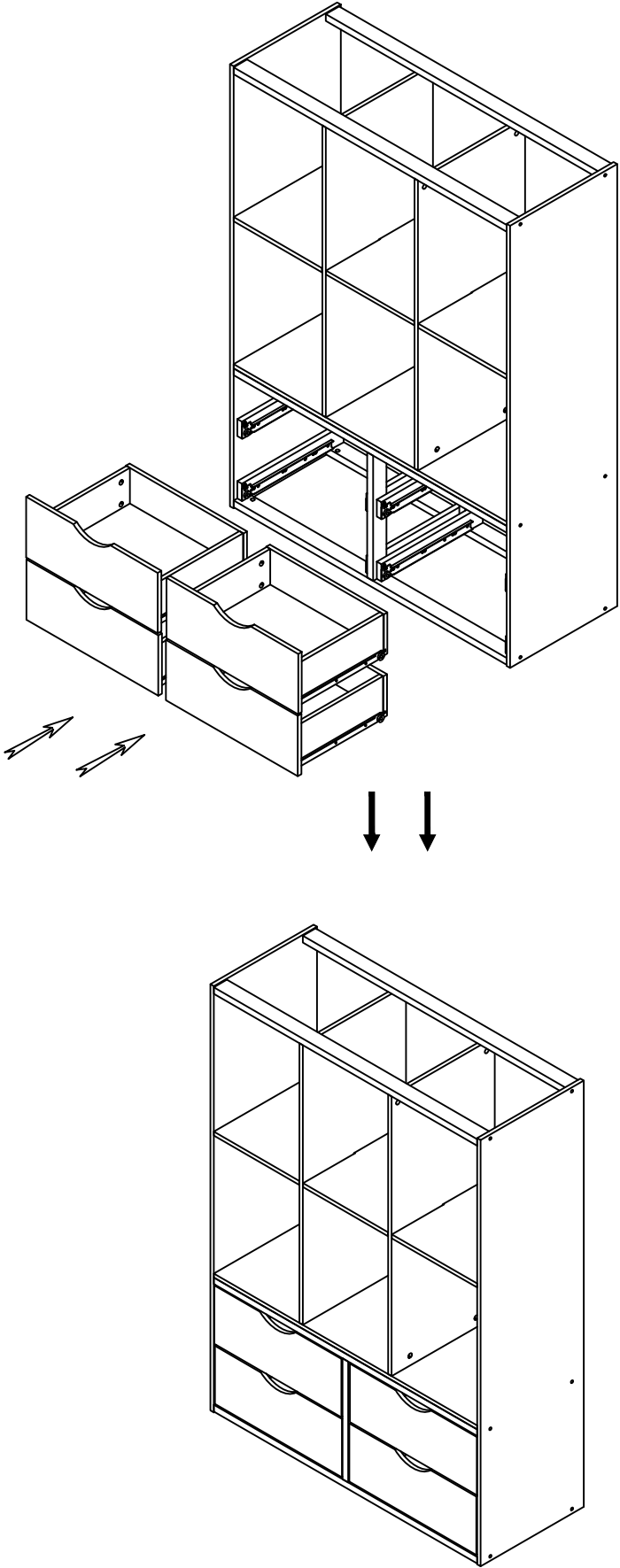
Step 24



N	Ø8x30		16PCS	R	Ø12x10		32PCS
----------	-------	-------------------------------------------------------------------------------------	-------	----------	--------	---------------------------------------------------------------------------------------	-------

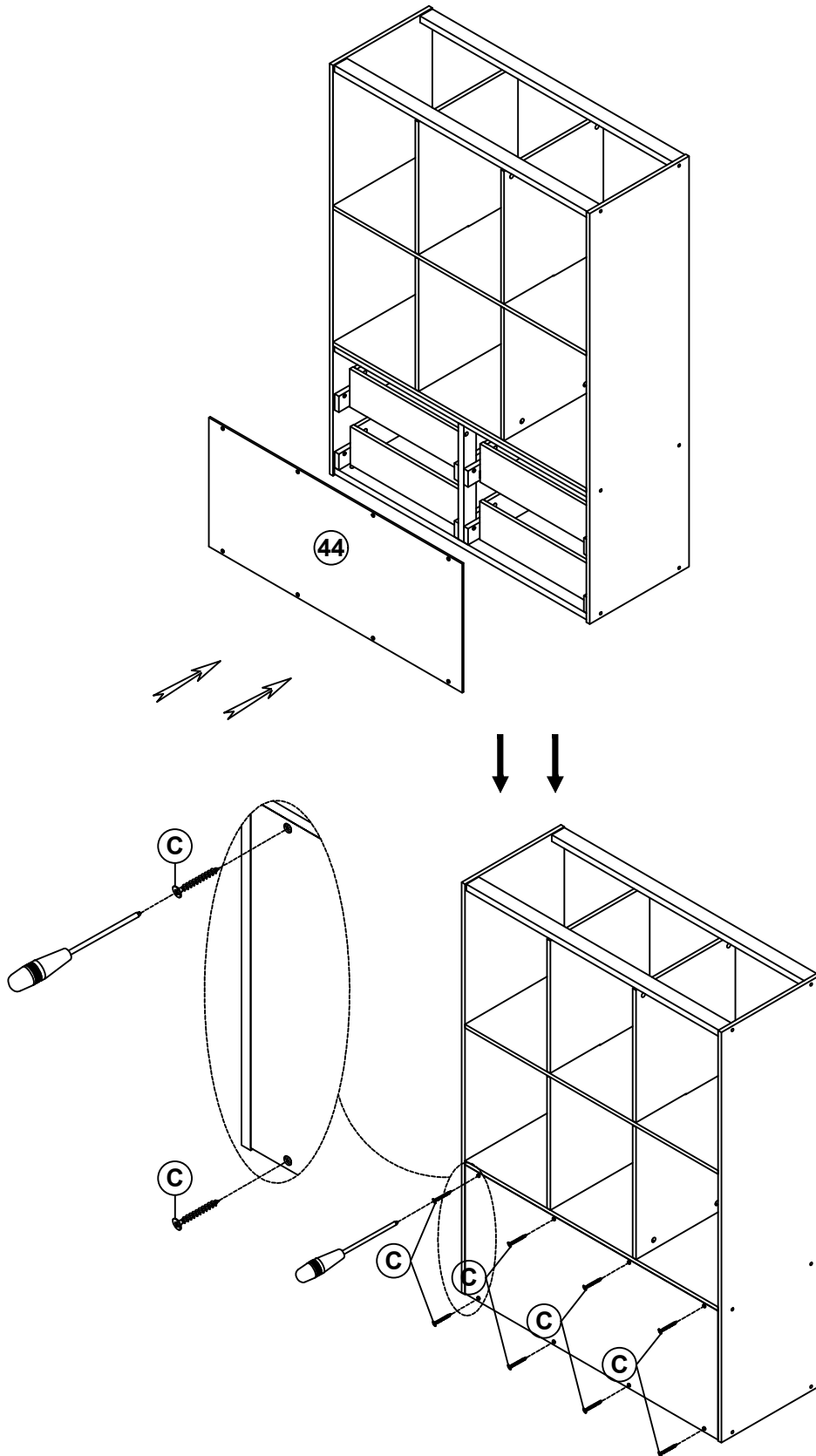
ASSEMBLY INSTRUCTIONS

Step 25



ASSEMBLY INSTRUCTIONS

Step 26



C

Ø4x15



8PCS

ASSEMBLY INSTRUCTIONS

Step 27

