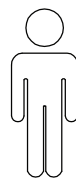
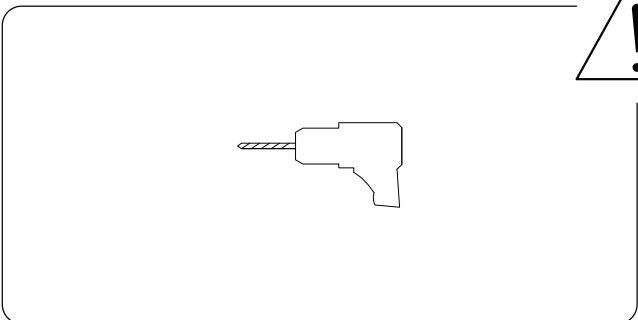
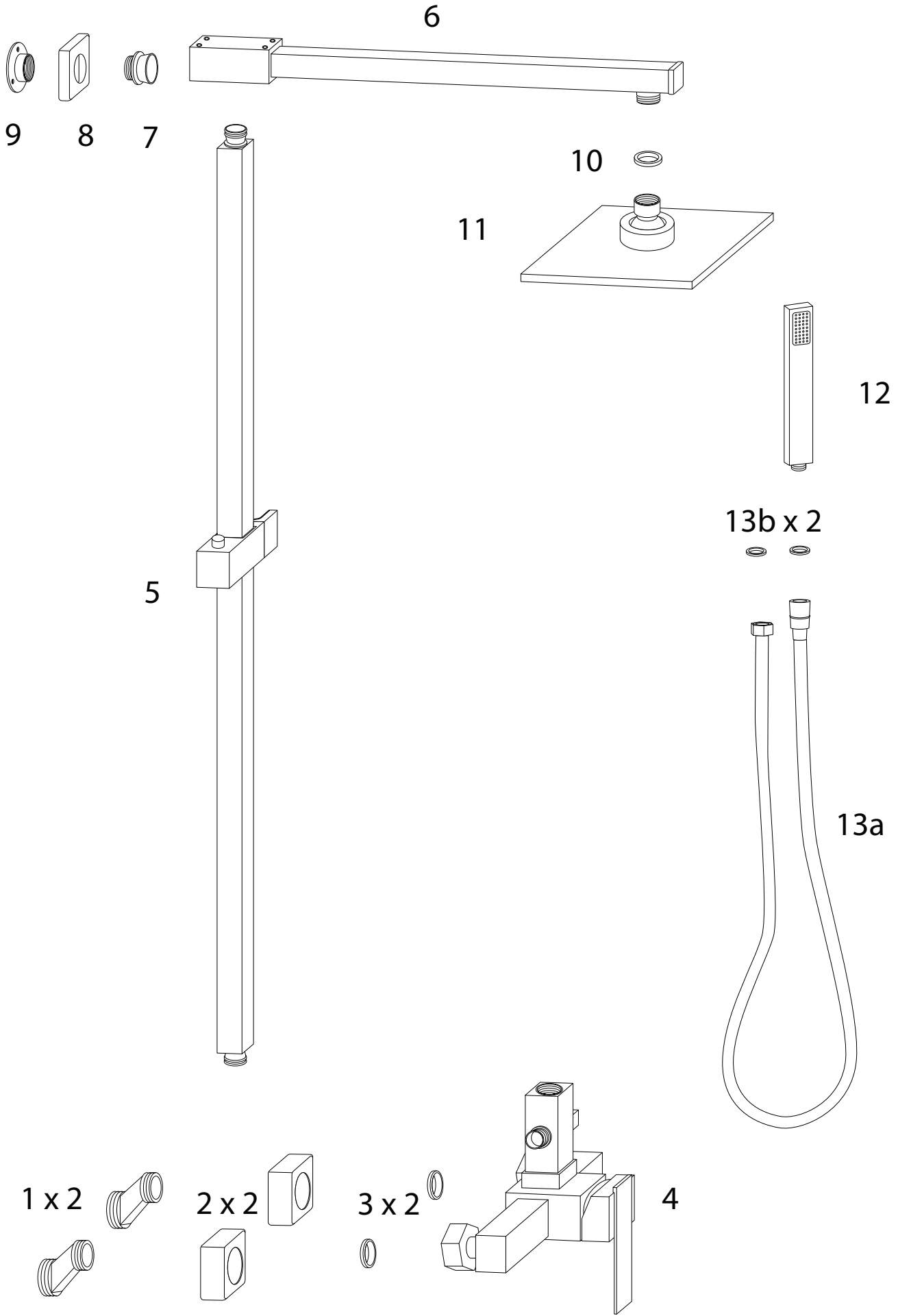
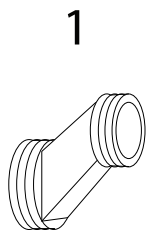


20'

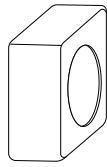


1

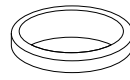




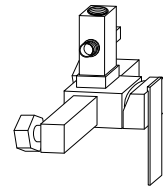
x 2



x 2



x 2



x 1

5



x 1

6



x 1

7



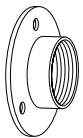
x 1

8



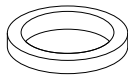
x 1

9



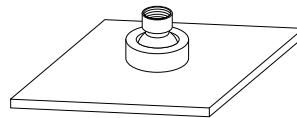
x 1

10



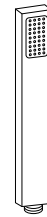
x 1

11



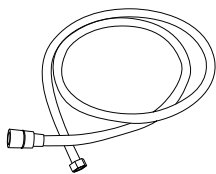
x 1

12



x 1

13a



x 1

13b



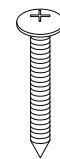
x 2

14



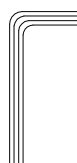
x 3

15



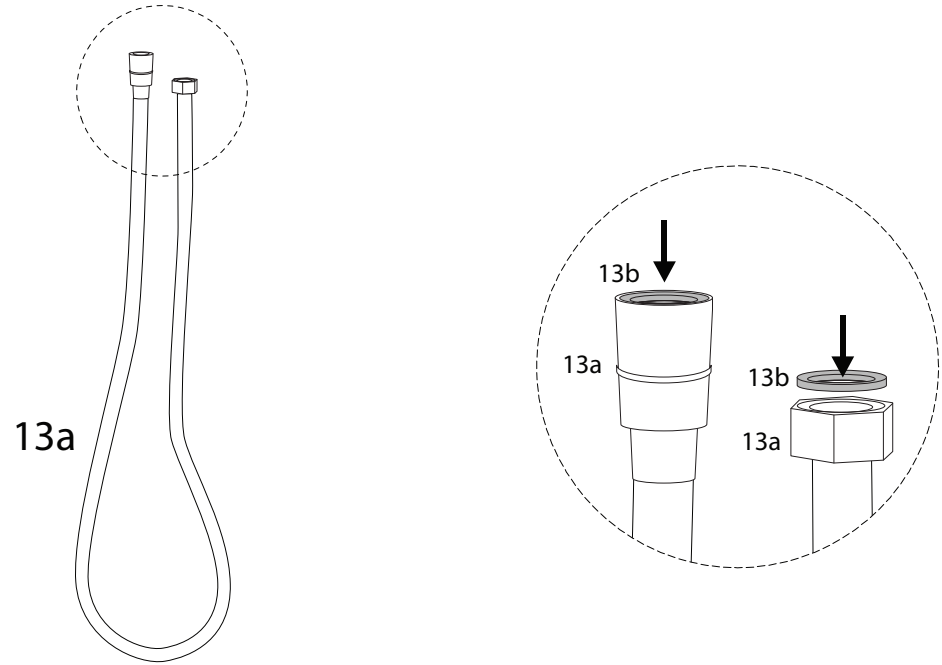
x 3

16

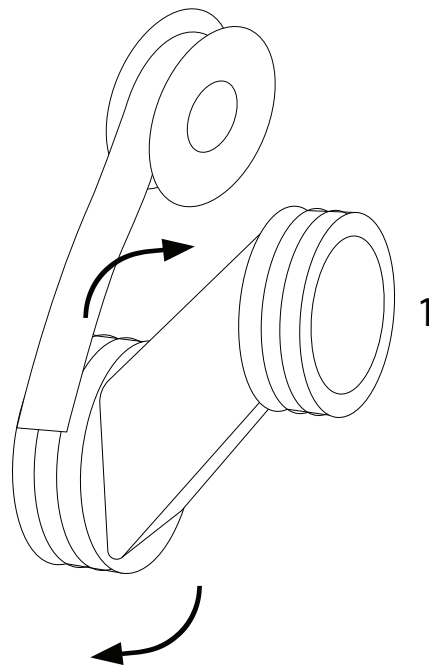


x 1

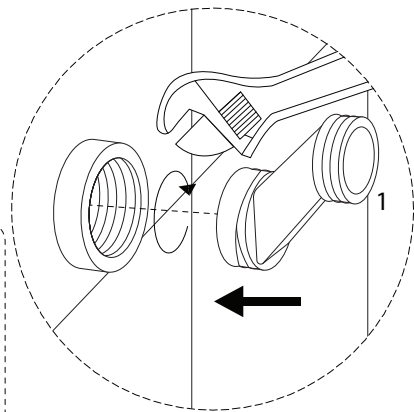
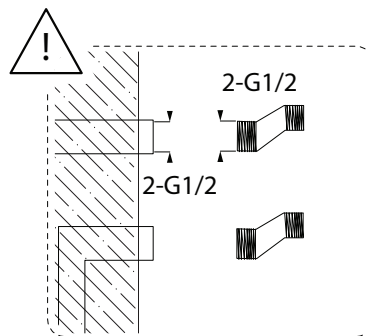
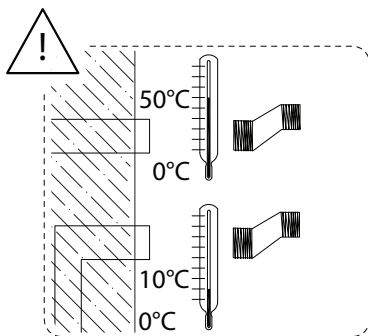
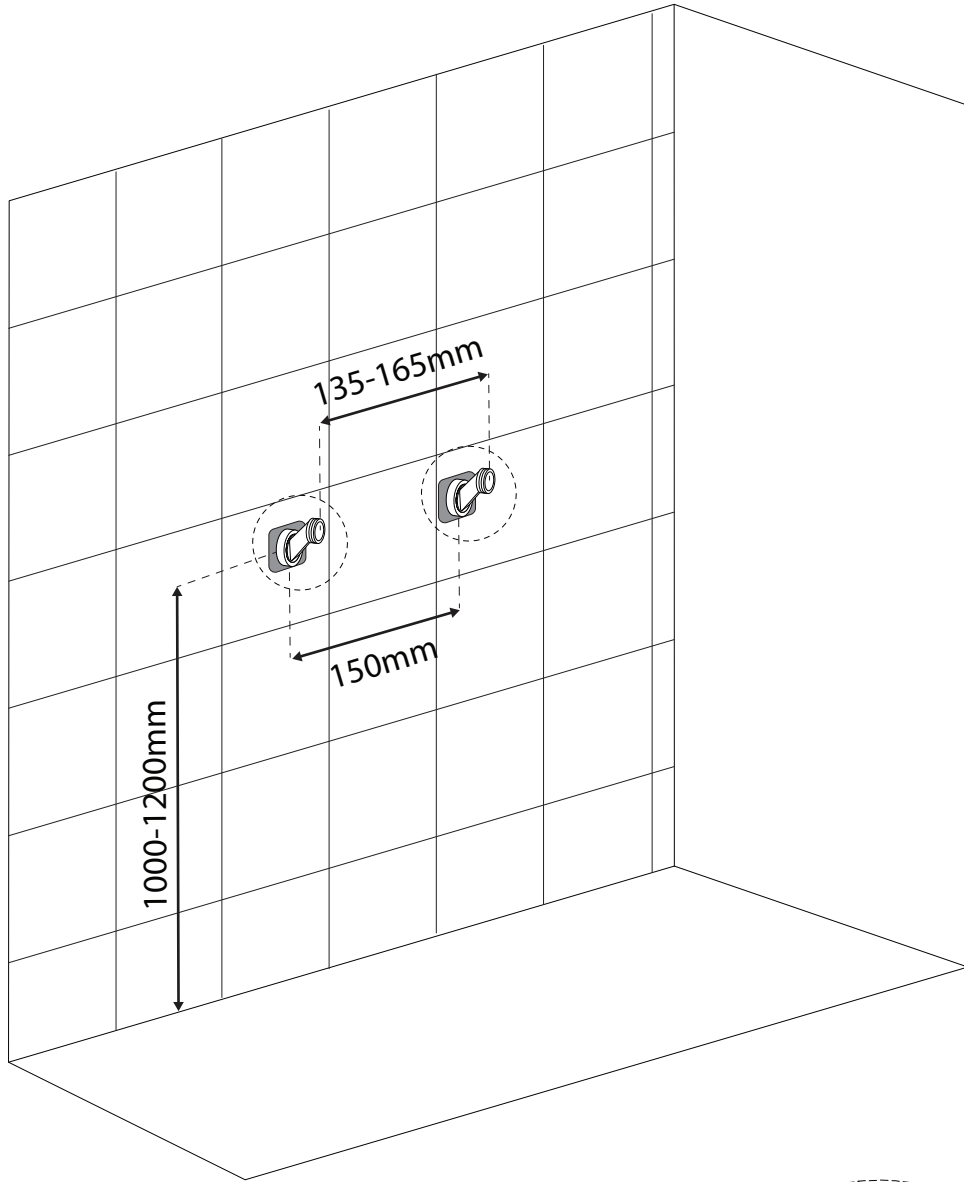
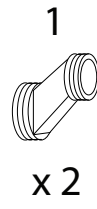
!



1



2

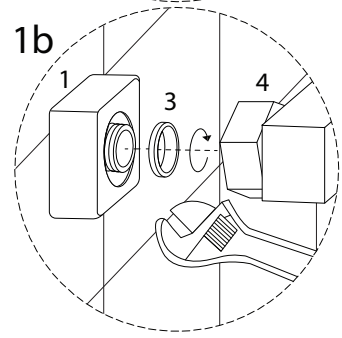
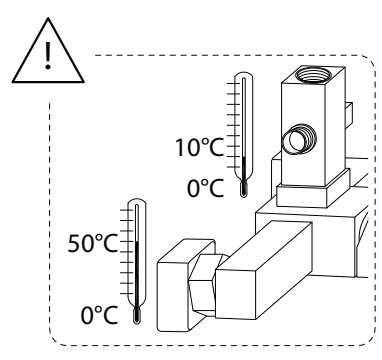
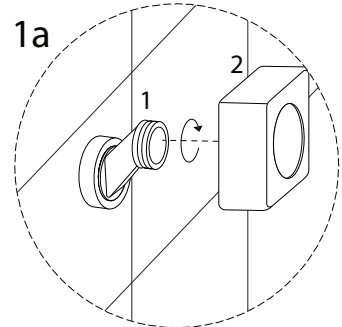
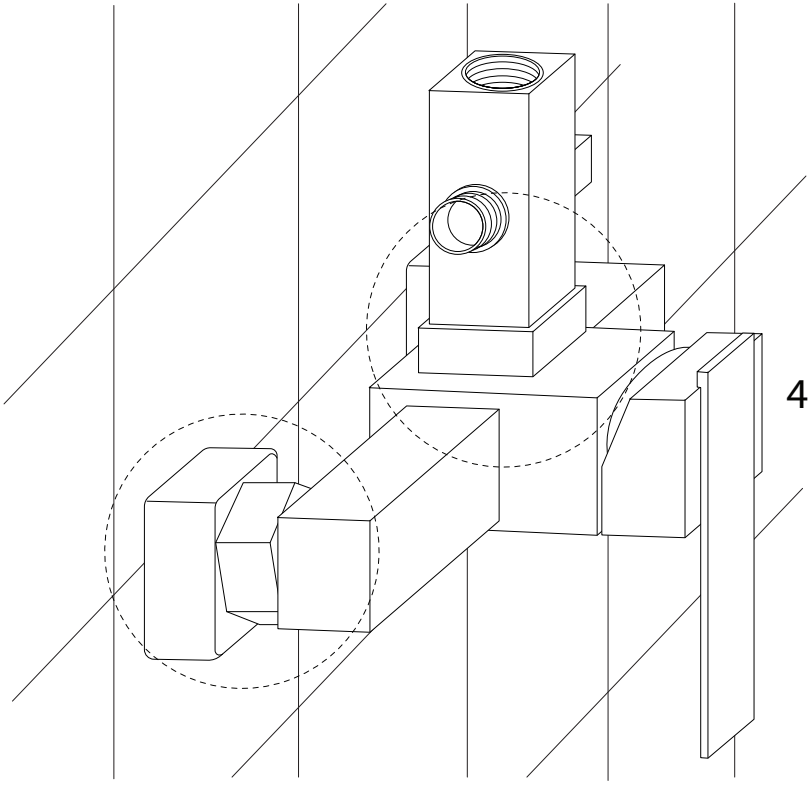


3

2
x2

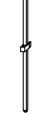
3
x2

4
x1



4

5



x 1

6



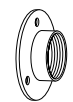
x 1

7

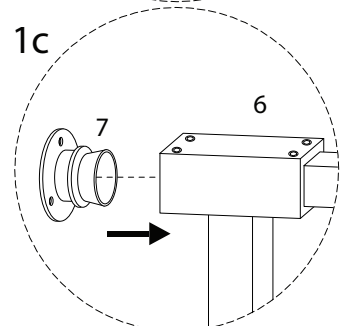
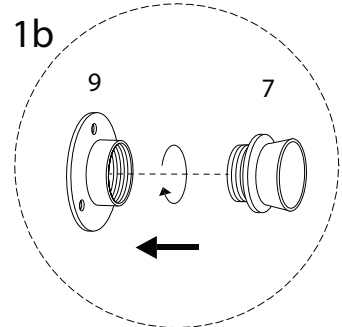
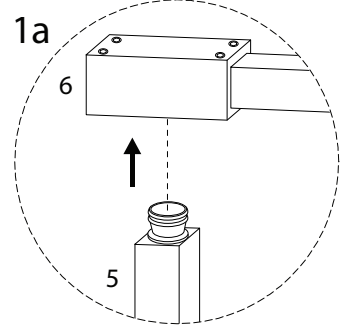
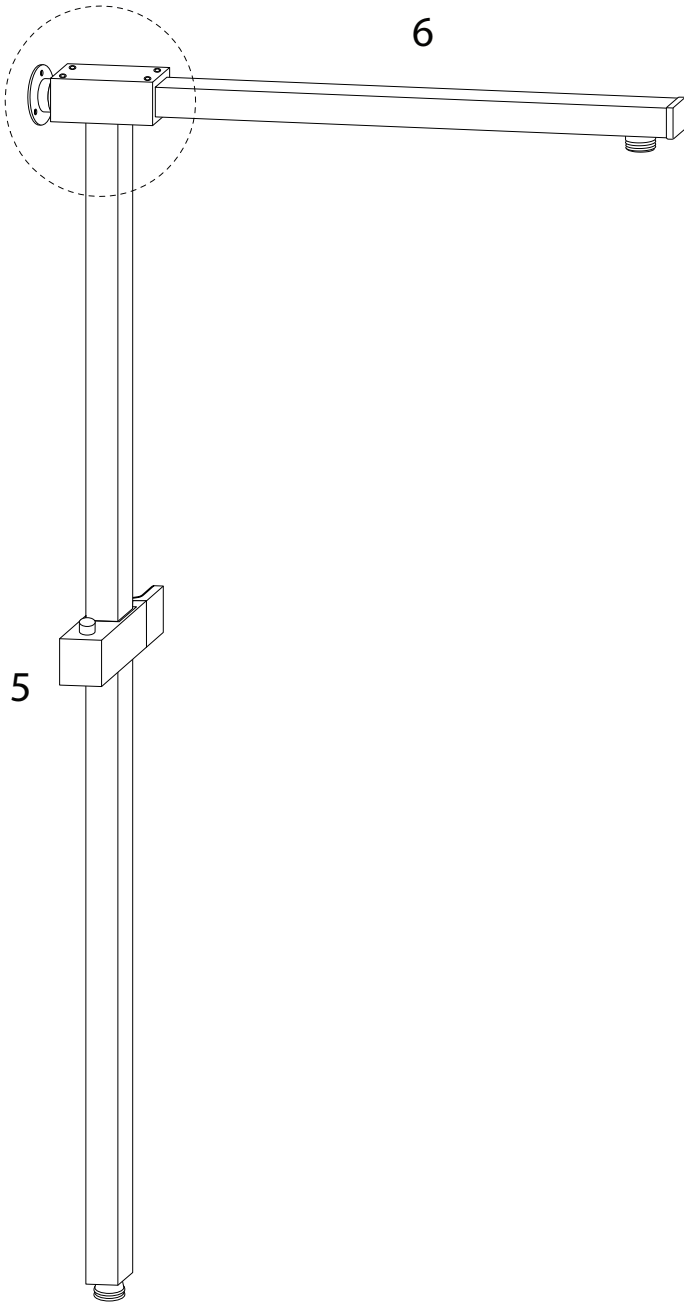


x 1

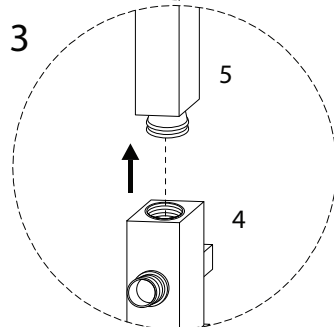
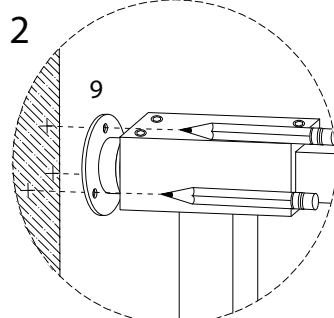
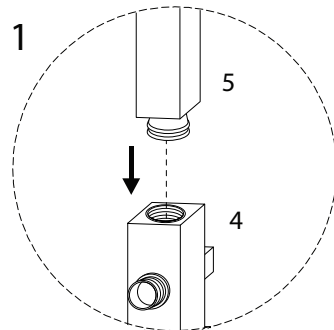
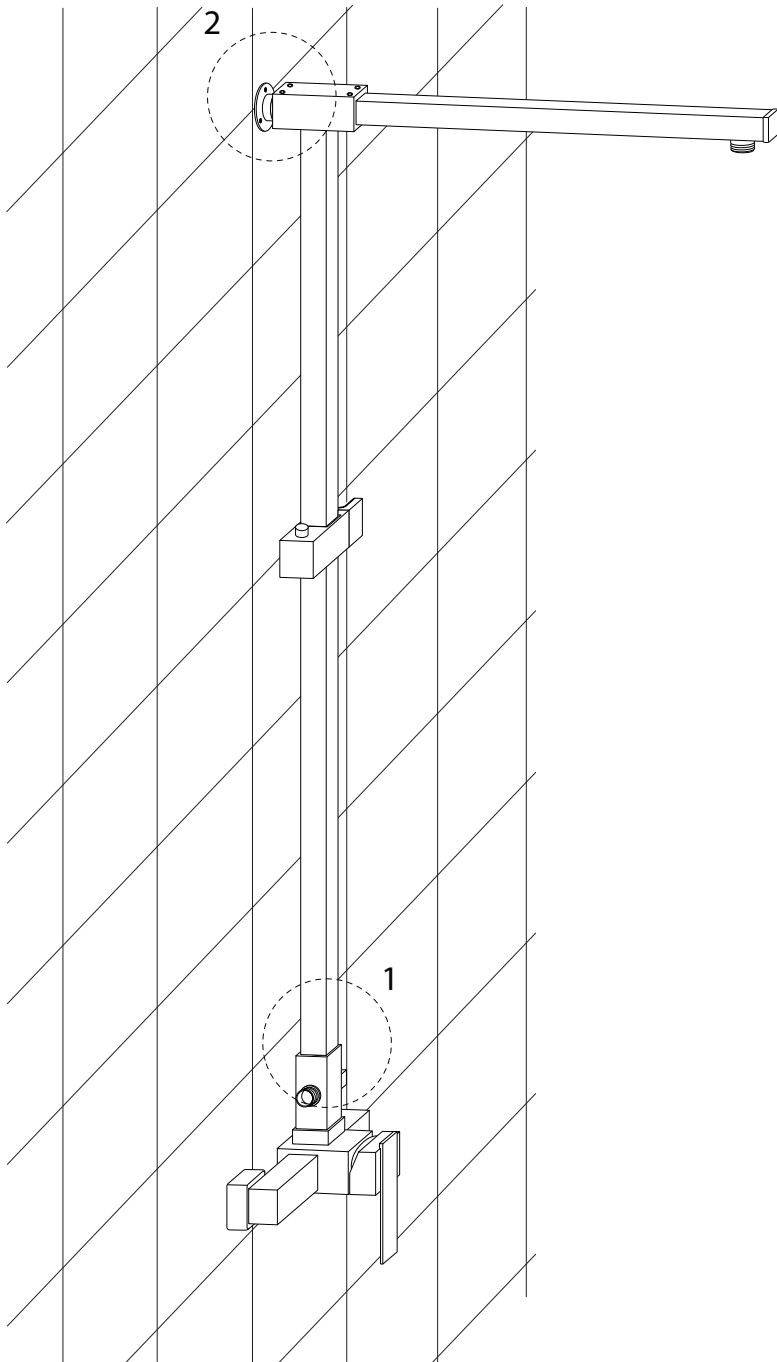
9



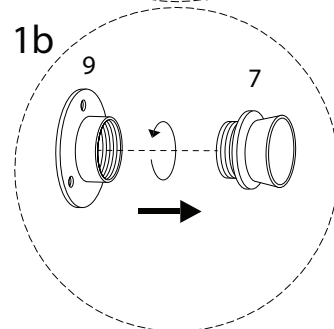
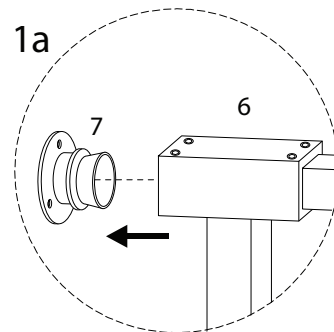
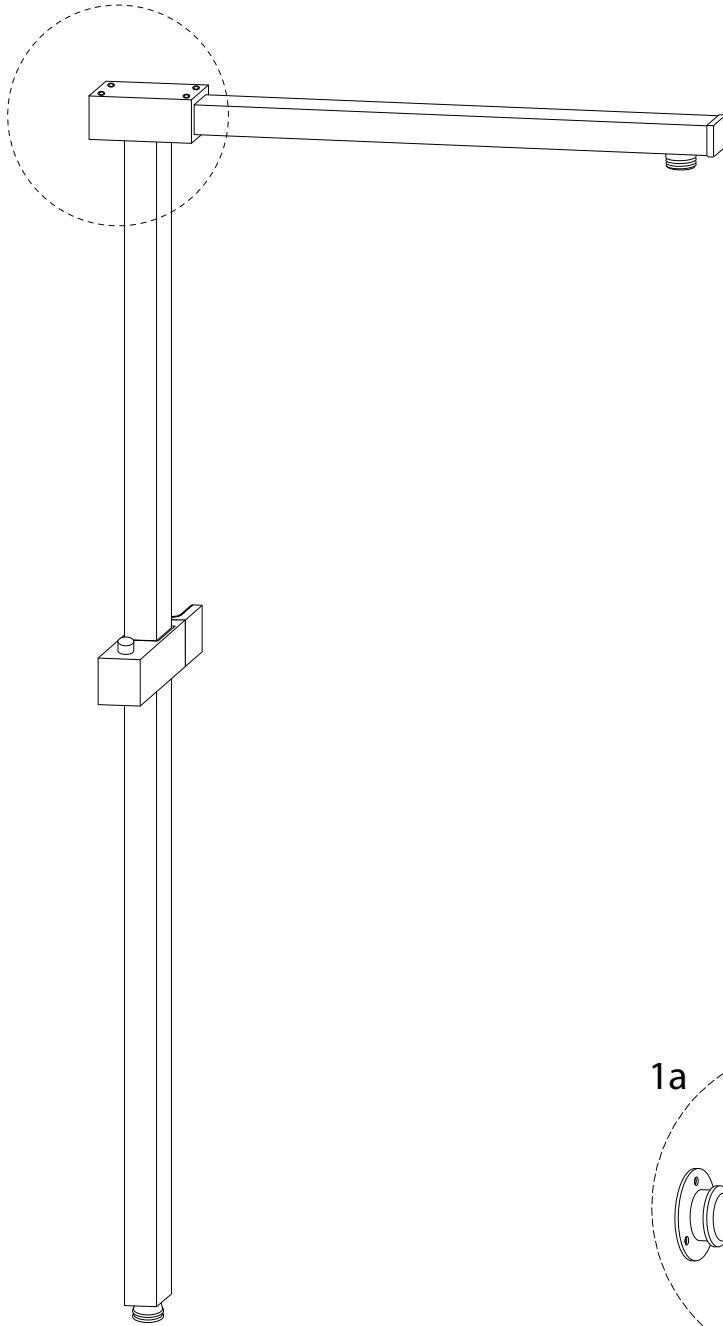
x 1



5



6



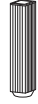
7

8



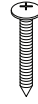
x 1

14

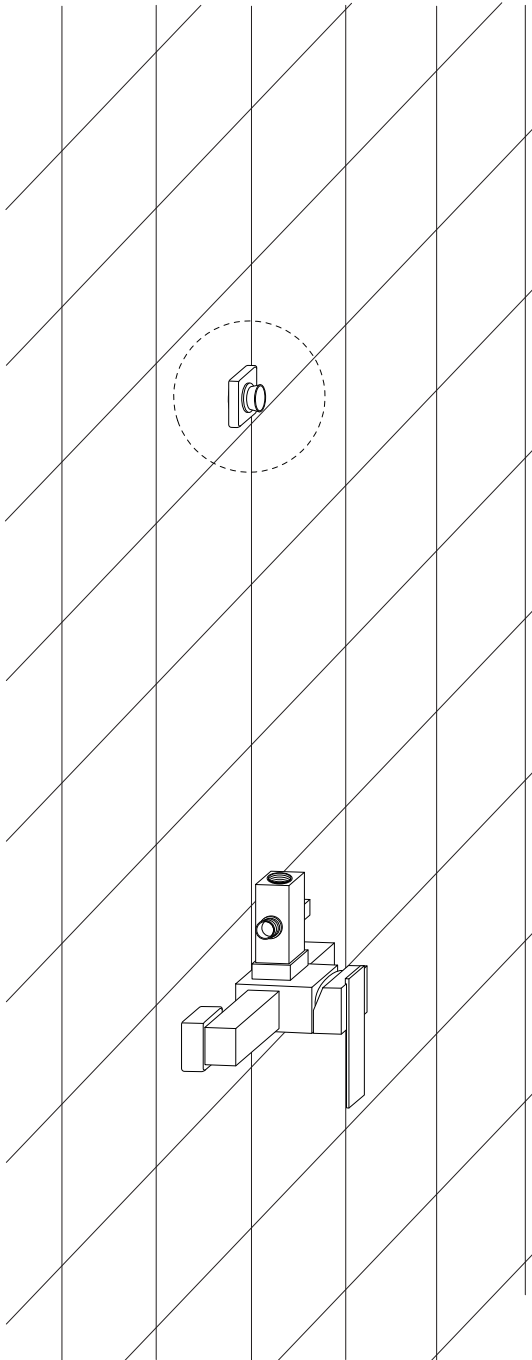


x 3

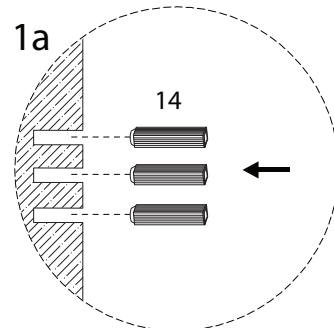
15



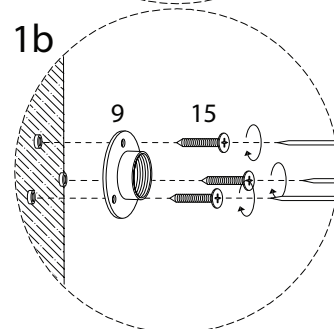
x 3



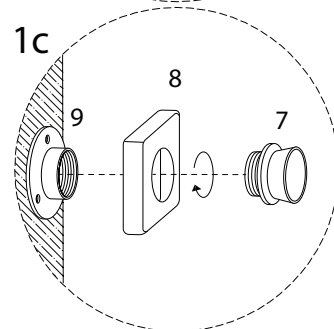
1a



1b



1c

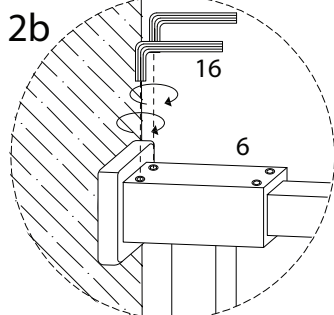
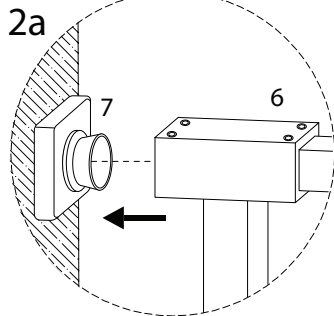
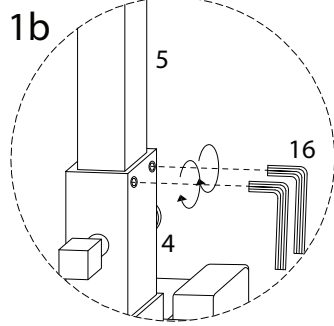
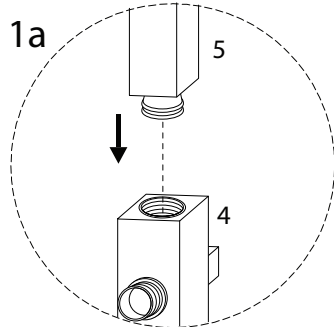
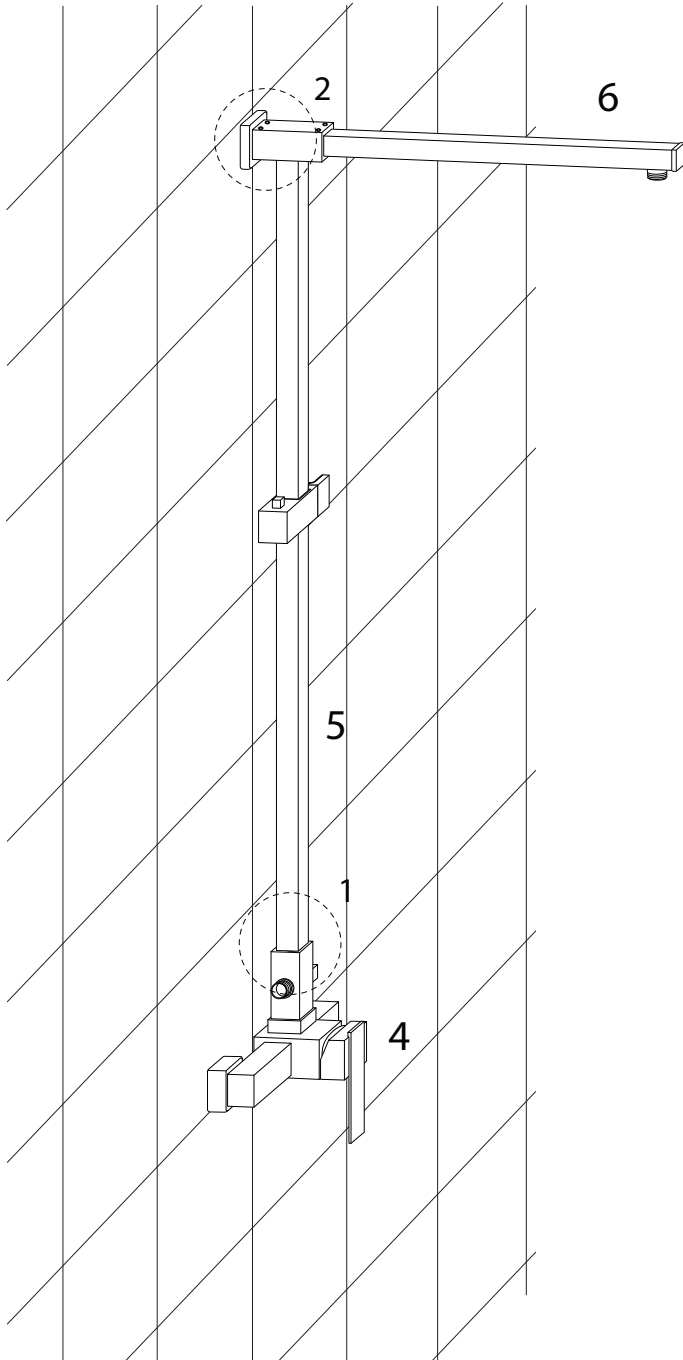


8

16



x 1



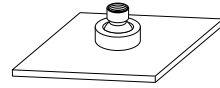
9

10

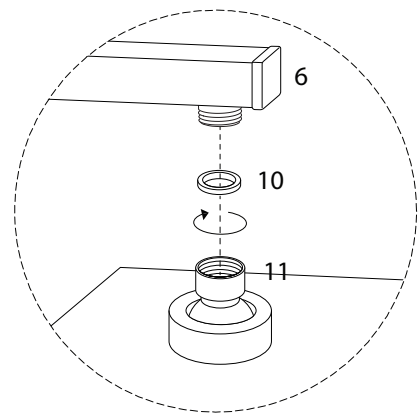
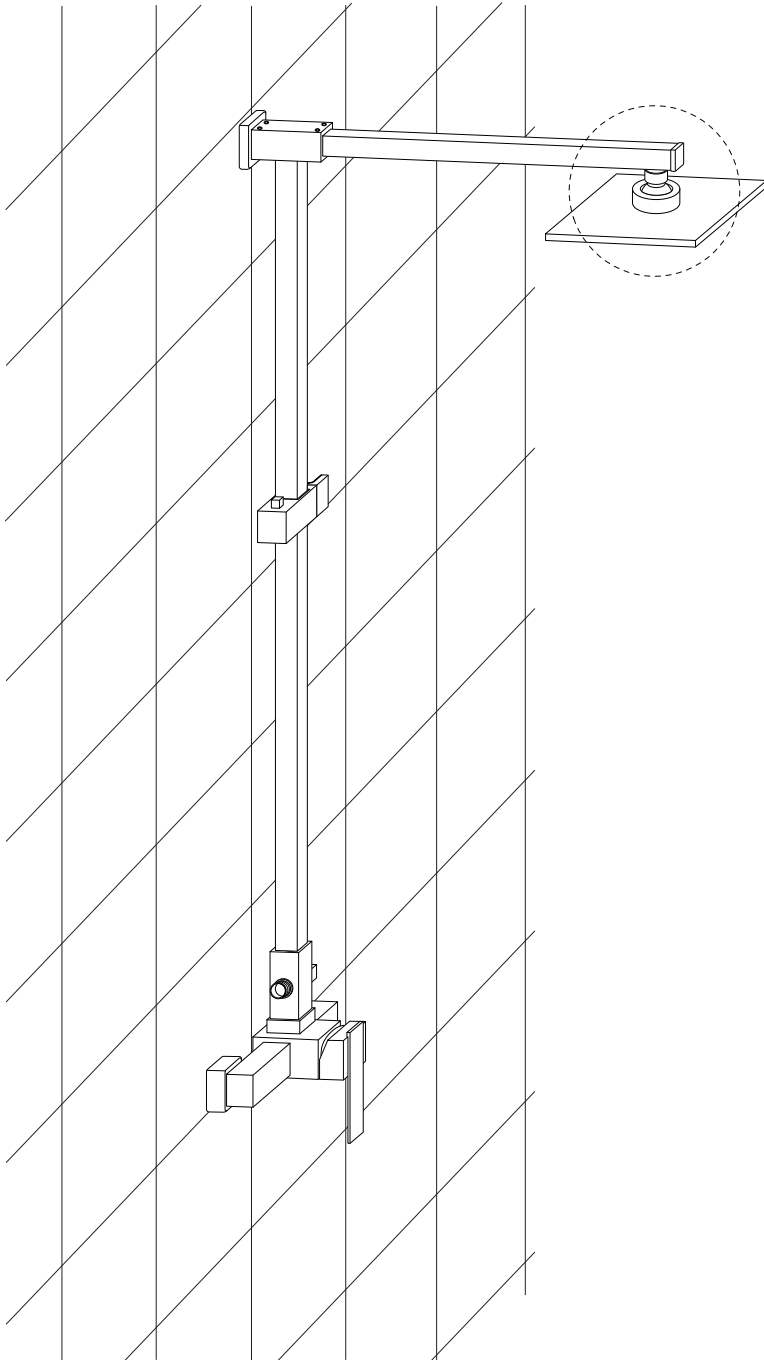


x 1

11

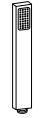


x 1



10

12



x1

13a



x1

13b



x2

