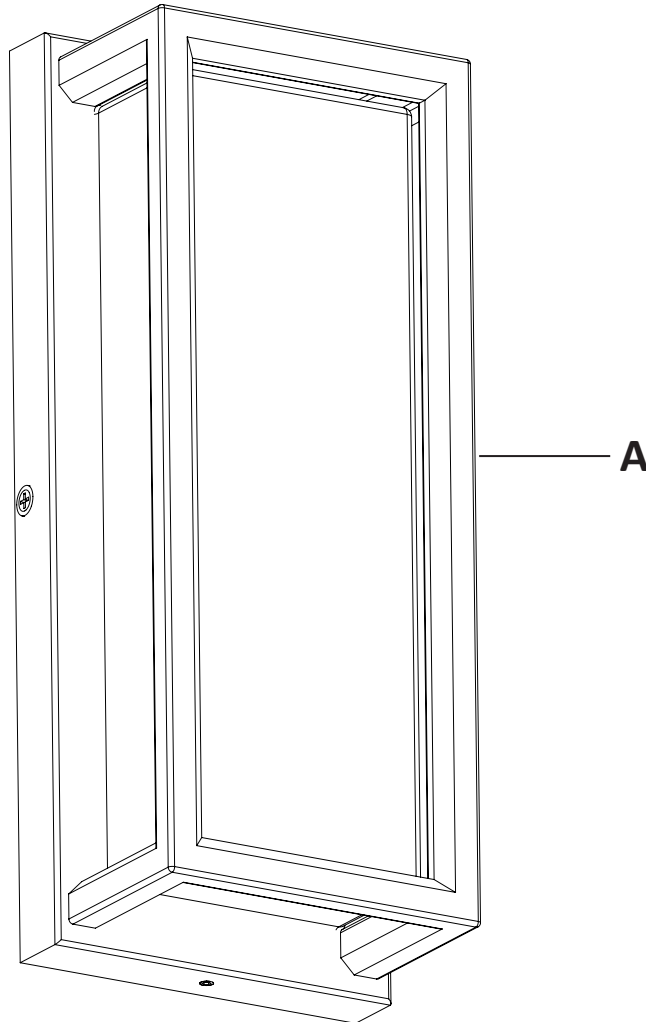
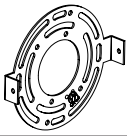
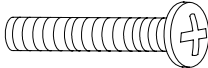
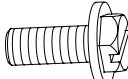
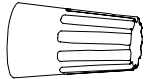
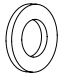
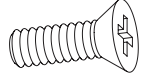
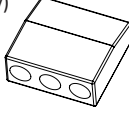


USE AND CARE MANUAL

12 INCH SMART LED WALL LIGHT



Hardware (Parts are not to scale)

<p>H1 Mounting bracket (Pre-assembled to fixture body) 1 pc</p> 	<p>H2 Outlet box screw 2 pcs</p> 	<p>H3 Green ground screw (Pre-assembled to mounting bracket) 1 pc</p> 	<p>H4 Wire connector 3 pcs</p> 
<p>H5 Rubber washer (Pre-assembled to support screw) 2 pcs</p> 	<p>H6 Support screw (Pre-assembled to mounting bracket) 2 pcs</p> 	<p>H7 Speed wire clip (Pre-assembled to wire of the fixture body) 3 pcs</p> 	

THIS MANUAL CONTAINS IMPORTANT SAFETY INFORMATION. PLEASE READ AND KEEP FOR FUTURE REFERENCE.

IMPORTANT SAFETY INFORMATION

- Please read and understand this entire manual before attempting to assemble, operate or install the product.
- Turn off electricity at main fuse box (or circuit breaker box) before beginning installation by removing fuse (or switching off circuit breaker).
- Be careful not to damage or cut the wire insulation (covering) during fixture installation. Do not permit wires to contact any surface having a sharp edge. To do so may damage or cut the wire insulation, which could cause serious injury or death from electric shock.
- All electrical connections must be in agreement with local codes, ordinances or the National Electric Code (NEC). Contact your municipal building department to learn about your local codes, permits and/or inspections. If you do not have electrical wiring experience, refer to a do-it-yourself wiring handbook or have your fixture installed by a qualified licensed electrician.
- Risk of fire – most dwellings built before 1985 have supply wire rated for 140°F/60°C. Consult a qualified electrician before installation.
- This fixture is intended to be mounted at a minimum of 6' above ground level.
- Do not use the light on a timer, wall switch with dimming functions, or with an extension cord.
- DO NOT install this light fixture if it shares the circuit with another junction box (light fixture) and both are controlled by a single or 3-way light switch.

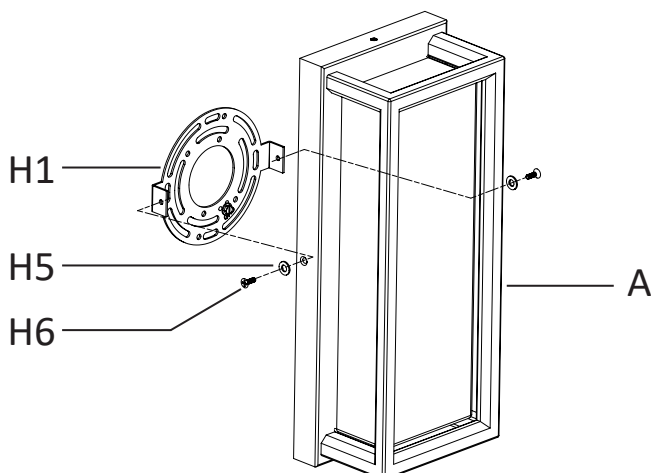
PREPARATION

- Before beginning assembly, installation or operation of product, make sure all parts are present. Compare parts with package contents list and diagram on previous page. If any part is missing or damaged, do not attempt to assemble, install or operate the product. Contact customer service for replacement parts.
- Tools required for assembly (not included): flathead screwdriver, phillips screwdriver, pliers, electrical tape, wire cutters, safety glasses, ladder, wire stripper, caulk.

INSTALLATION

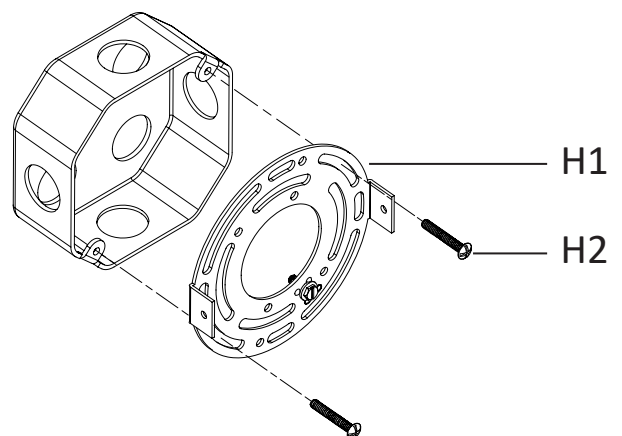
1 Preparing the mounting bracket

- Unscrew the two support screws (H6) from the mounting bracket (H1), remove the mounting bracket (H1) from the fixture body (A), and keep the two support screws (H6) and two rubber washers (H5) for later use.



2 Installing the mounting bracket

- Fasten the mounting bracket (H1) onto the outlet box (not provided) using two outlet box screws (H2).



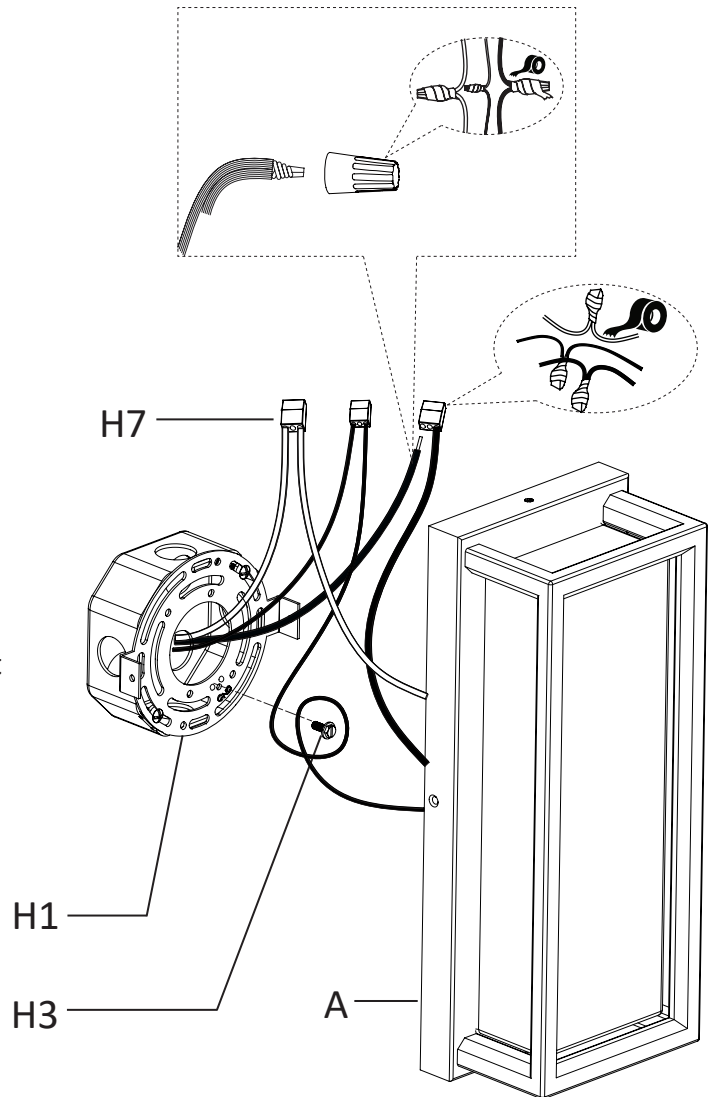
INSTALLATION (continued)

3 Making the electrical connections

- Strip 3/4 in. of insulation from the wire ends.
- Insert the black wire from the outlet box into the speed wire clip (H7) of the black wire from the fixture body (A) and the white wire from the outlet box into the speed wire clip (H7) of the white wire from the fixture body (A).
- The bare copper ground wire from the fixture must loop one turn under the head of the green ground screw (H3) on the mounting bracket (H1) before insert the ground conductor of the supply circuit into the speed wire clip (H7) of the bare copper ground wire.
- Tape the speed wire clip (H7) with wires together, and carefully position all wires inside the outlet box.

NOTE: Do not let go of the fixture body (A) before the fixture body (A) installed on the mounting bracket (H1).

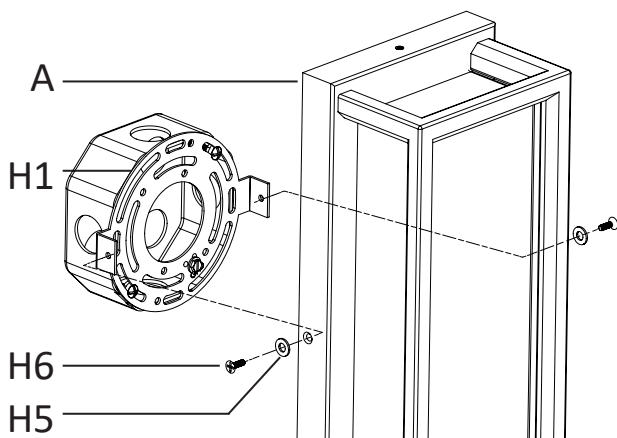
NOTE: If the wires of the outlet box are stranded (not solid), the speed wire clips (H7) must not be used. Cut off the speed wire clips (H7), strip 3/4 in. of insulation from the wire ends. Connect the black wire from the fixture body (A) to the black wire from the outlet box and the white wire from the fixture body (A) to the white wire from the outlet box. Twist the stripped ends together with pliers. Cover the wire connections with the wire connectors (H4). Tape the wire connectors (H4) with wires together.



4 Assembling the fixture body to the outlet box

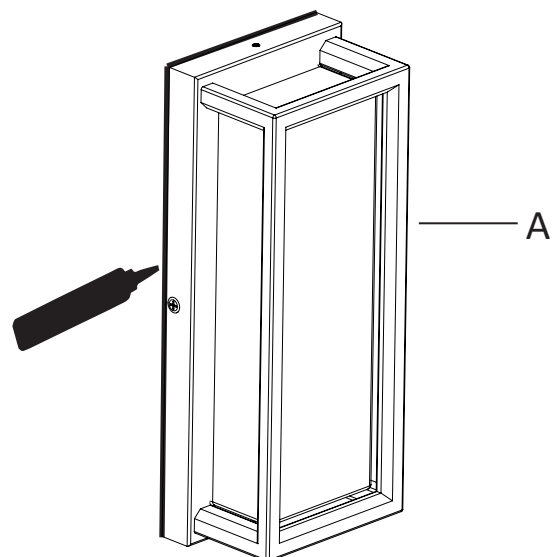
- Place the fixture body (A) over the outlet box, align the two holes of the mounting bracket (H1) and the canopy of the fixture body (A), then tighten with the two rubber washers (H5) and the two support screws (H6).

NOTE: Do not let go of the fixture body (A) before the fixture body (A) installed on the mounting bracket (H1).



5 Applying the caulk

- Use weather resistant caulk (not included) to seal around top and side perimeter of fixture back plate. Do not caulk bottom to allow for condensation evaporation.



SMART APP SETUP GUIDE

1 Download or open the App

- Turn on the lamp while ensuring that your phone is connected to a secure 2.4GHz WiFi network. 5GHz networks are not supported.
- Download and open the "Tuya Smart" or "Smart Life" app by searching for it in the Apple App Store or Google Play Store, or scan the QR code:



- Tap the "Register" button if you are setting up the app for the first time or select "Login" to sign in with your existing account.

NOTE: System requirement: iOS 10.0 or higher and Android 6.0 or higher.

2 Linking the LED wall light to App

- Ensure your mobile device is currently connected to your Wi-Fi network or open the Bluetooth, open the the APP you download.
- Toggle the wall light switch on/off 3 times and the light fixture will begin to blink rapidly.
- Follow the instructions in the APP and add the light source (BLE+Wi-Fi).

NOTE: If the connection fails, please close the "connection failed" and try reconnect your LED wall light.

3 Controlling the LED wall light

- Open the App you download and tap the "home" in the bottom left corner.
 - Select the LED wall light (RGBCW) from the Favorites list and tap the LED wall light to enter the control screen.
 - You can also control the LED lamp by connecting Amazon Alexa, Google Assistant.
-

CLEANING

- Do not use any cleaners with chemicals, solvents, or harsh abrasives. Use only a dry, soft cloth to dust or wipe carefully.
 - To clean the fixture, disconnect the power by turning off the circuit breaker or by removing the fuse at the fuse box. Use a dry or slightly dampened, clean cloth to wipe the exterior surface of the fixture.
-

TROUBLESHOOTING

- The light does not come on at all:
 - a) Check whether the bulbs were burned out.
 - b) Make sure the wall switch is on.
 - c) Make sure the wiring is correct.
 - d) Make sure the circuit breaker is set in the "ON" position.
 - Fuse blows or circuit trips when light is turned on.
 - a) Check for crossed wires, ensure wiring is correct.
-