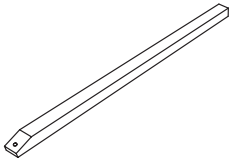
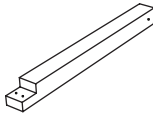
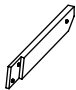
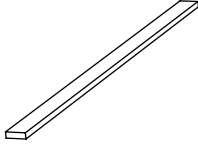
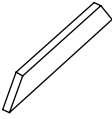
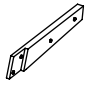
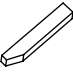
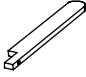
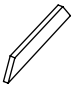
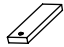




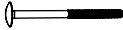
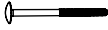


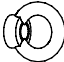

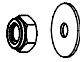
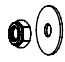



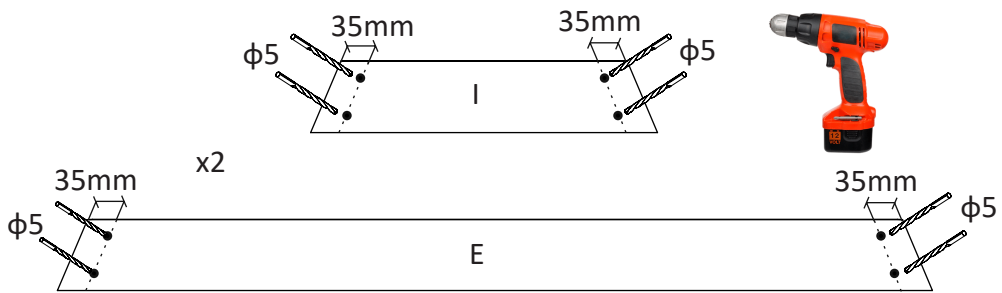


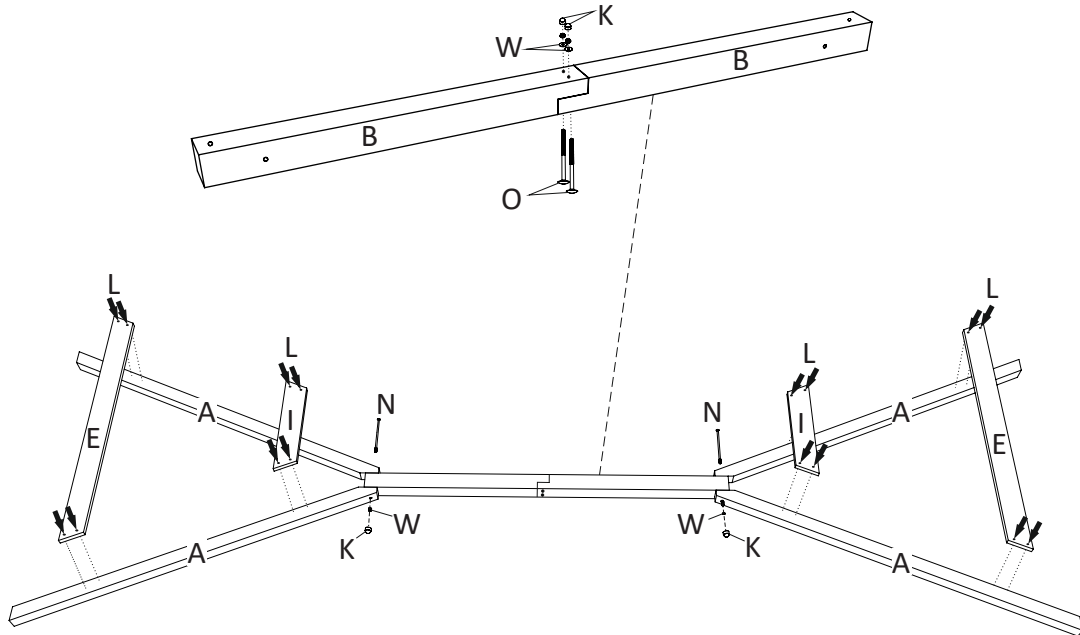
Ax4		170cm	Bx2		103.5cm
Cx3		58cm	Dx14		150cm
Ex2		112cm	Fx3		58cm
Gx2		49cm	Hx2		62cm
Ix2		51.5cm	Jx2		29cm
Kx4			Lx20		5x70mm
Mx78		4x50mm	Nx2		10x210mm
Ox4		10x100mm	Px2		8x60mm
Rx8		8x40mm	Sx2		6x60mm
Tx2			Ux4		

Wx4		M10/20mm	Xx6		M8
Yx2		M6	Zx2		
AAx6					

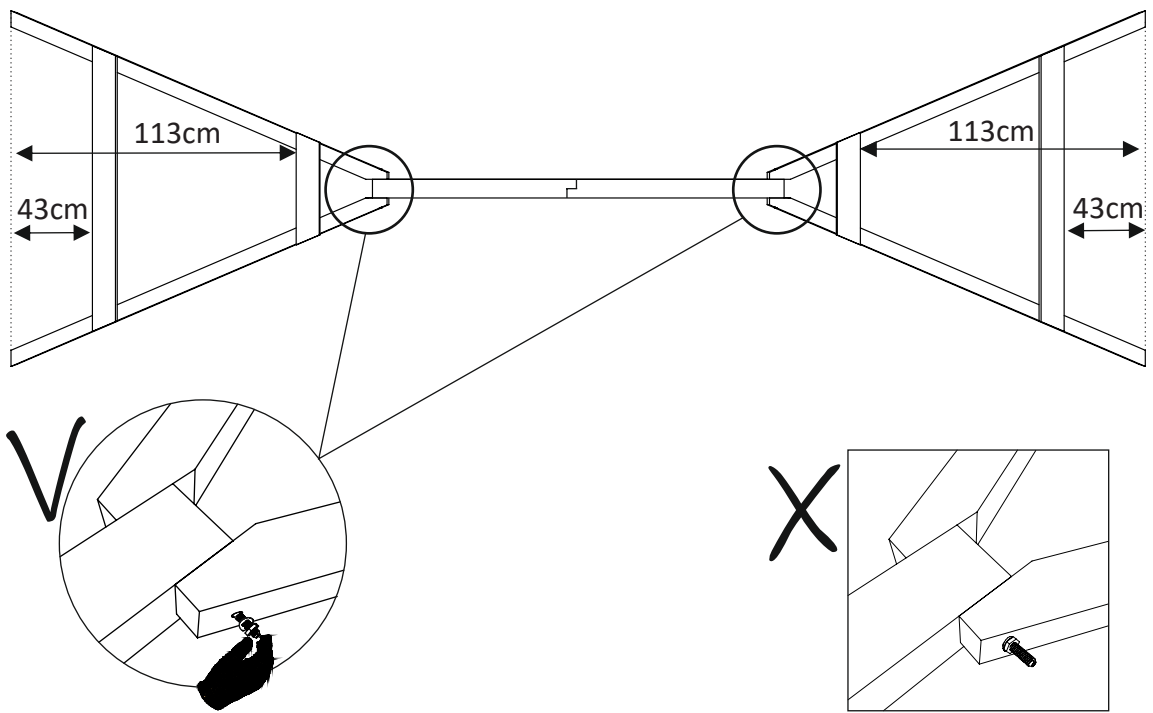
1



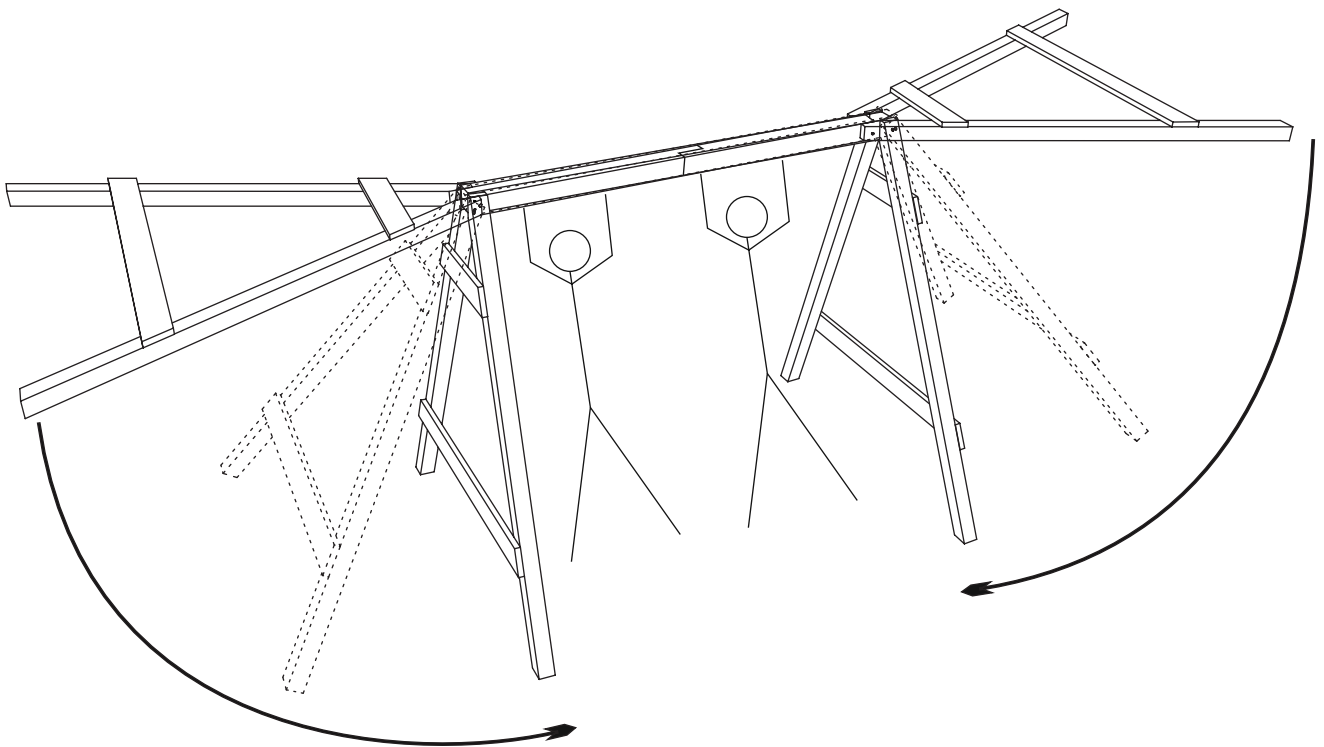
2



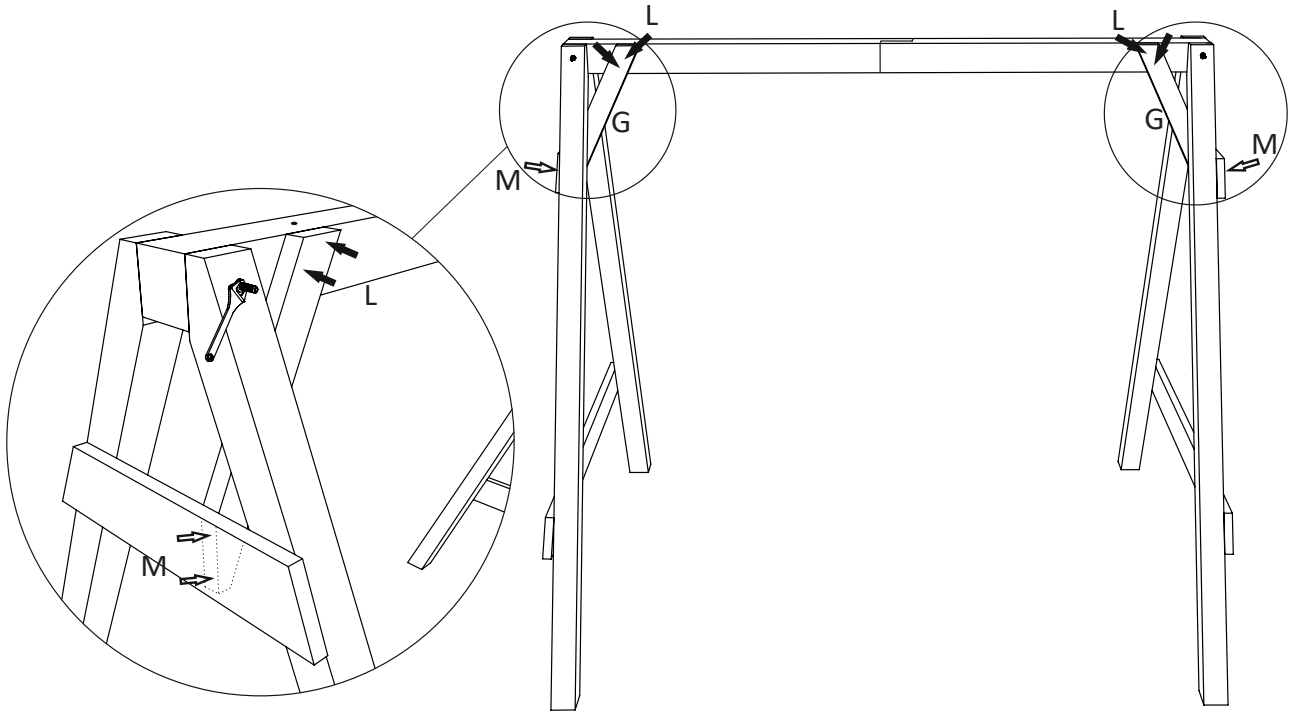
3



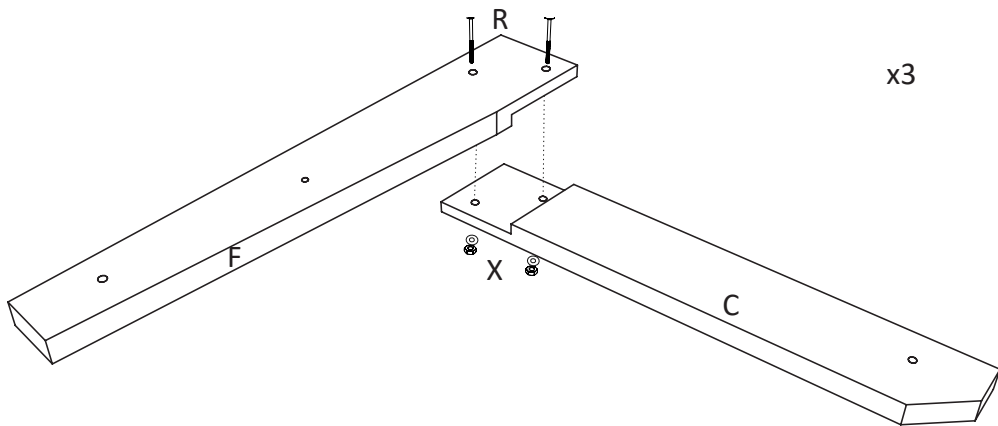
4



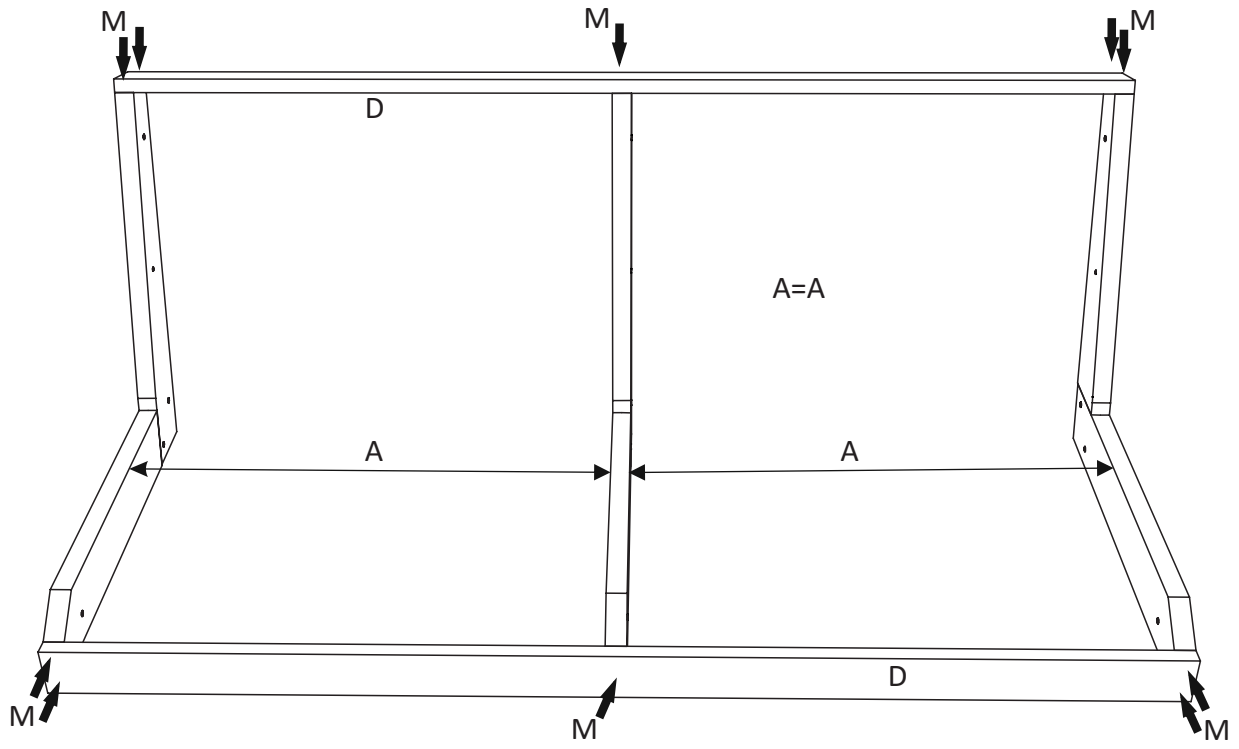
5



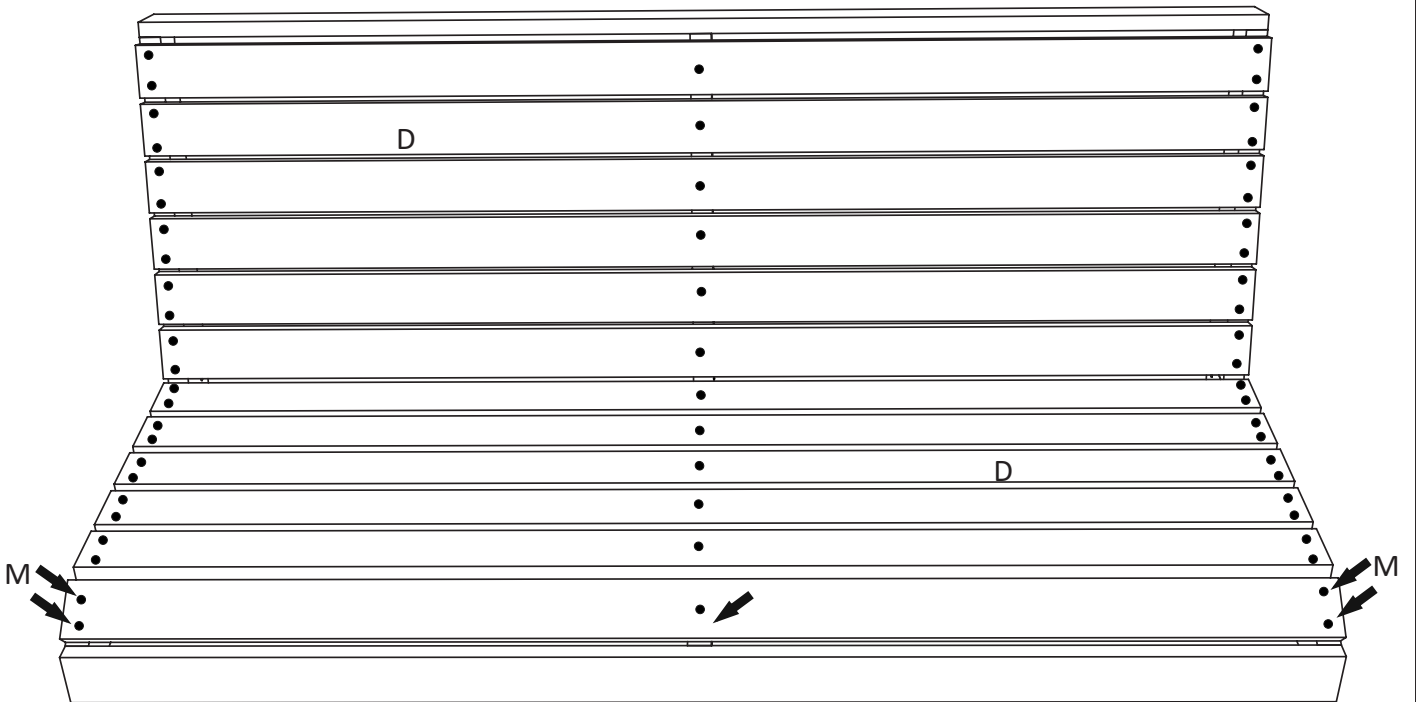
6



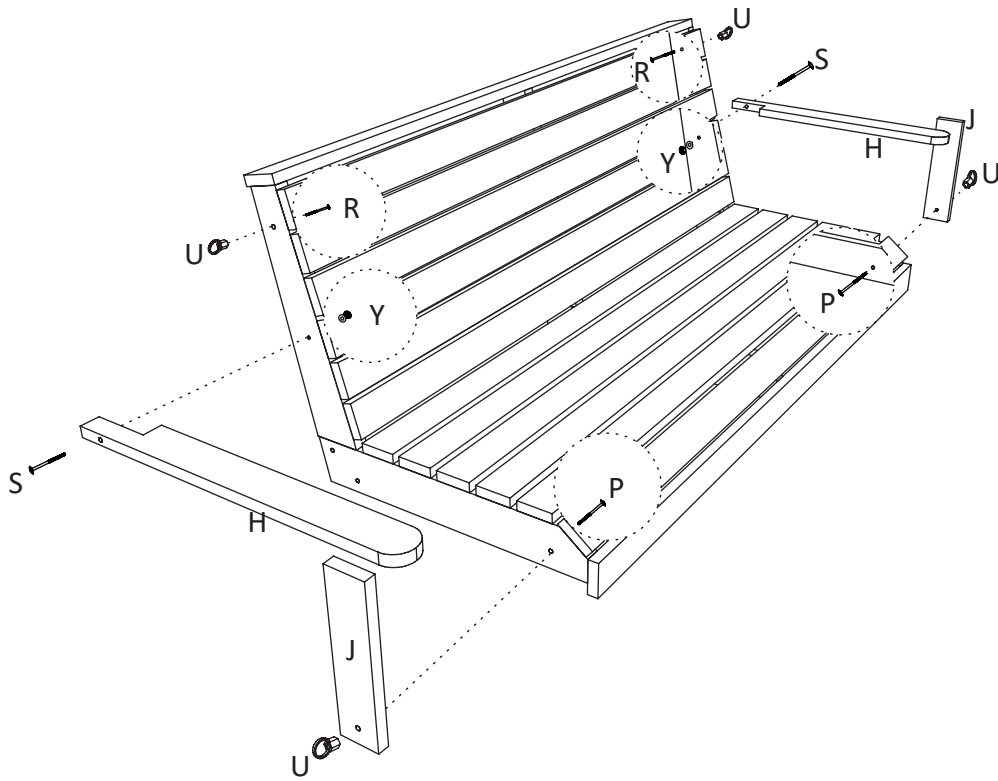
7



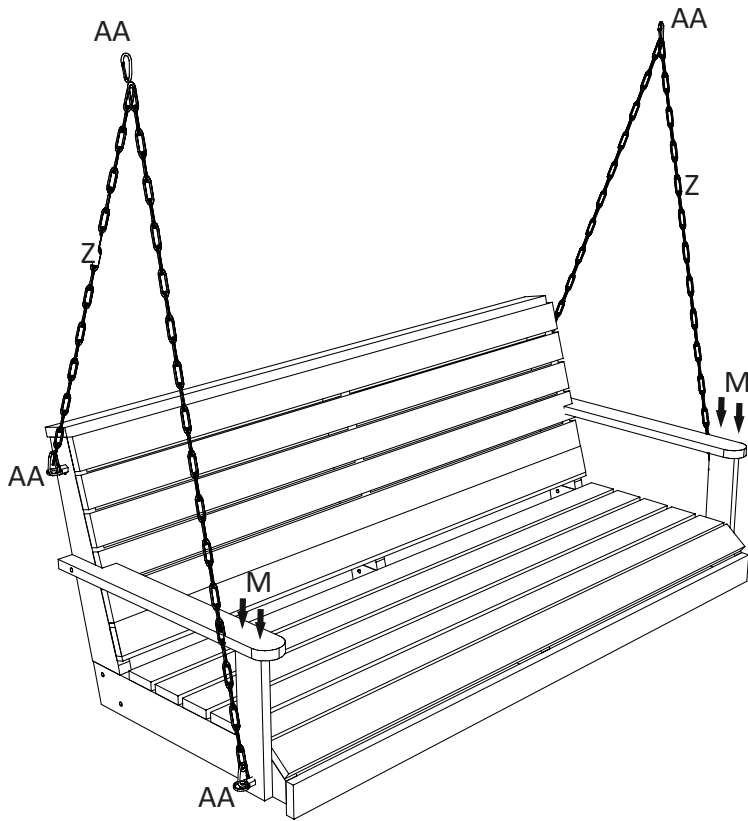
8



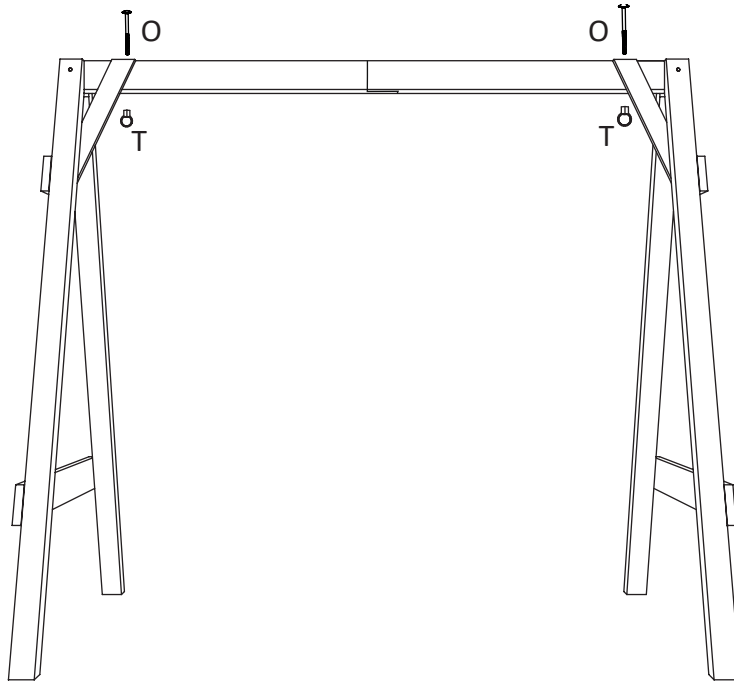
9



10



11



12

