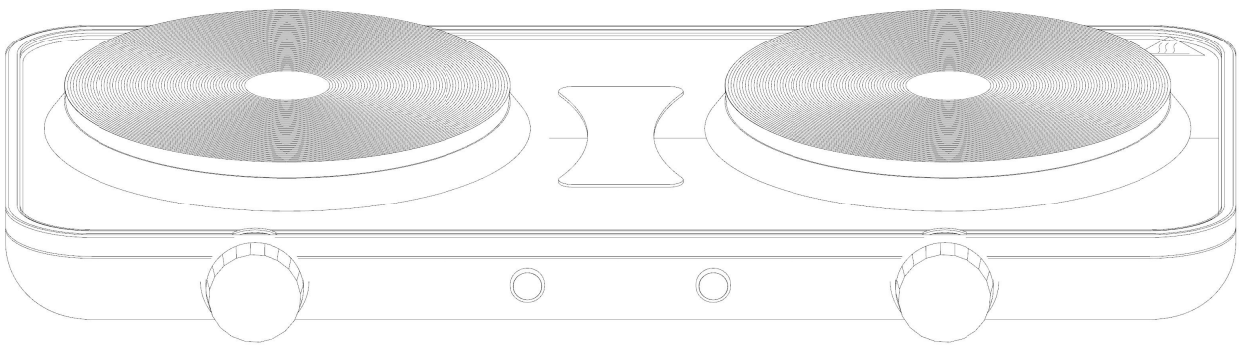
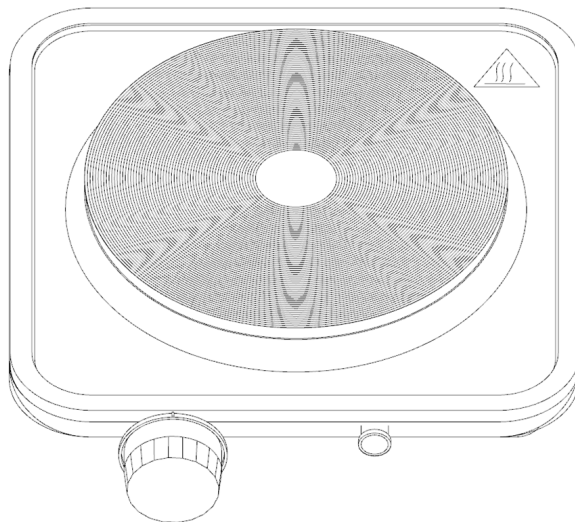




HOT PLATE



Model No: WY-04E



Model No: WY-01C

IMPORTANT SAFEGUARDS

SAVE THESE INSTRUCTIONS THIS PRODUCT IS FOR HOUSEHOLD USE ONLY

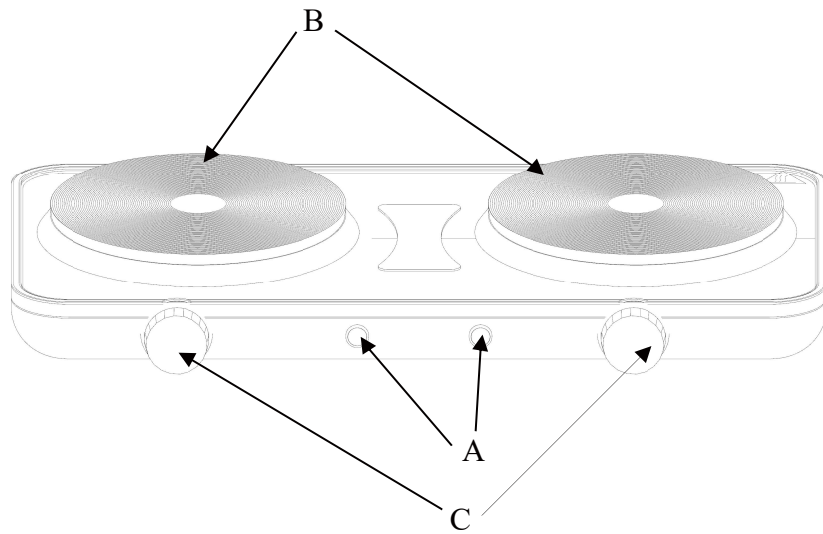
When using electrical appliances, basic safety precautions should always be followed:

1. Do not touch hot surfaces. Use handles or knobs.
2. To protect against electrical shock, do not immerse cord, plug or appliance itself in water or other liquid.
3. It is not recommended that children operate this appliance.
4. Unplug from outlet when not in use and before cleaning. Allow to cool before putting on or taking off parts and before cleaning.
5. Do not operate any appliance with a damaged cord or plug or after the appliance malfunctions or has been damaged in any manner.
6. The use of accessory attachments not recommended by the appliance manufacturer may cause injuries.
7. Do not use outdoors.
8. Do not leave appliance unattended when it is on.
9. Do not let cord hang over the edge of table or counter or touch hot surfaces.
10. Do not place on or near a hot gas or electric burner, or in a heated oven.
11. A fire may occur if the appliance is covered or touching flammable material including curtains, draperies, walls and the like when in operation.
12. Extreme caution should be exercised when using containers constructed of other material other than metal or glass.
13. Do not place any of the following materials on the unit: Paper, Cardboard, Plastic and the like.
14. Always operate the product from a power source of the same voltage, Frequency and rating as indicated on the product identification plate.

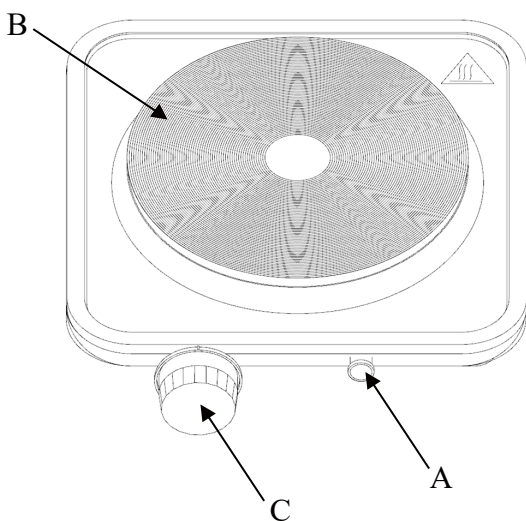
15. Do not touch the surfaces or the hot plate when in operation, as they get hot.
16. The hot plate is designed only for the heating and cooking of food, and must only be used with cooking utensils placed on it. Do not use the appliance for other than its intended use.
17. The hot plate must be turned to "OFF" setting and disconnected from the power outlet when out in use.
18. Cooking utensils, regardless of their size, should not project beyond the hot plate or intrude into the area of close proximity of the controls. Utensils with convex, concave or uneven bottoms should not be used.

19. CAUTION: DO NOT IMMERSE IN WATER

Know your product



Model No	WY-04E
Voltage	120V~
Frequency	60Hz
Power	2000W



Model No	WY-01C
Voltage	120V~
Frequency	60Hz
Power	1000W

- A.Indicator Light:** The Indicator lights illuminate when the unit is turned on.
B.Heating Element: Heating Element
C.Temperature Control Knob: Various Heat settings

BEFORE FIRST USE

- Unpack contents. Remove any packaging material such as Plastic, Cardboard, or Styrofoam.
- Use a damp cloth to clean the exterior of the base and heating elements.

CAUTION: NEVER immerse the base in water or any other liquid.

- The Initial use of the appliance may produce a slight smell or smoke. This is normal and harmless and it comes from burning of the protective substance applied to the heating elements during manufacturing. The smoke and odor should go away with subsequent use of the appliance. It is also recommended to run the unit for 15 minutes on the MIN setting to eliminate the odor and smoke before using it for the first time.
- Read and follow all instruction in this “Use and care”. Even if you feel you are familiar with the product, and find a place to keep it handy for future reference.
- For your convenience record the complete model number(located on the product identification plate) and the date you received the product, together with your purchase receipt and attach to the warranty and service information. Retain in the event that warranty service is required.

HOW TO USE YOUR HOT PLATE

- Before plugging in your new burner, check to see that the electric circuit is not overloaded with other appliances.
This unit should always be operated on a separate 120V Volt AC outlet.
- Be certain that the unit is set on a levelled, flat, heat resistant surface.
Also avoid using pans that are unstable and easily tipped.
- Place pan on heating element.

Turn the controls to the recommended position marked to achieve the desired temperature, use this guide as a reference.

Note: both hot plate can be used at the same time, however care must be exercised to prevent the cooking utensil handles from protruding over the adjacent hot plate. (Only for WY-04E)

1st gear: For simmering of delicate foods, and thickening sauces, etc.

2nd gear: Slow cooking.

3rd gear: For simmering large quantities.

4 gears: Shallow frying of meat and pan dishes.

5th gear: To bring all dishes to rapid heat.

Max gear: To bring all dishes to a boil.

Note: the lamp will go off when the hot plate reaches the selected temperature, and will cycle on and off to maintain the temperature.

- When cooking is complete, turn the temperature control knob to the "OFF" position.
- If the burner is not in use for a long period of time, it is highly recommended to unplug the unit from the outlet. This prevents any accidental burns or injury.
- When all parts have thoroughly cooled, be sure to clean the burner.
Dry all parts thoroughly before storing or operating the burner.

CLEANING AND MAINTENANCE

➤ **CAUTION: NEVER immerse the base in water or any other liquid.**

- Thoroughly clean and dry all parts.
- DO NOT USE ANY ABRASIVE SOAPS, DETERGENTS, OR CLEANING MATERIALS TO CLEAN THE BURNER.
- Any other servicing not recommended by the manufacturer may cause hazards and should be performed by an authorized representative.
- Do not allow the cord to touch any hot surfaces of the hot plate.
- Clean the painted surface with a damp soft cloth and mild household cleaning powder.
- Baked on marks on the circular hot plate can be removed with a household cleaning powder. Turn the unit on for a moment to dry after cleaning.
- Commercially available hot plate cleaners are recommended to preserve the natural finish of the hot plate.



Manufacturer: SHENZHEN RBU TECHNOLOGY GROUP CO., LTD

Address: No.2016 Xuegang Road, Gangtou Community, Bantian Street, Longgang District, Shenzhen, China

Distributor: AGM USA, LLC

Address: 3690 E. Jurupa Street, Ontario, CA 91761, USA

For more information please contact us at: service@uten.com

Warning: Keep the appliance and its cord out of reach of children less than 8 years



MADE IN CHINA