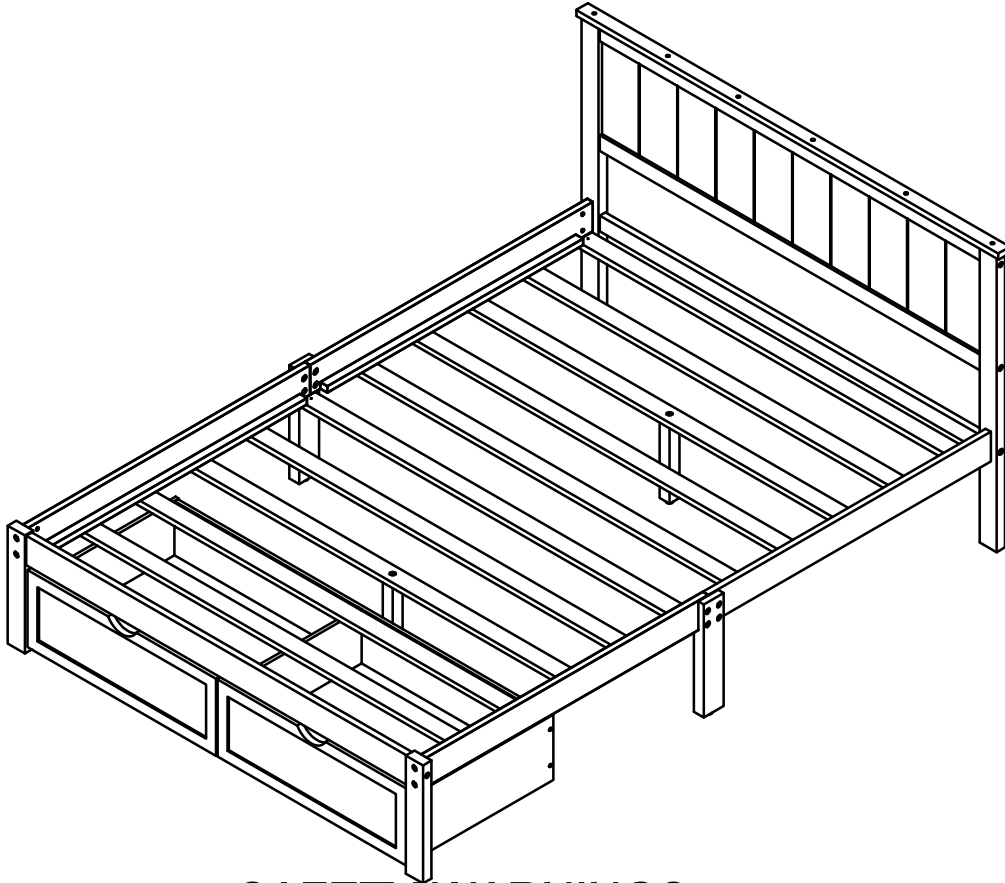


## ASSEMBLY INSTRUCTION



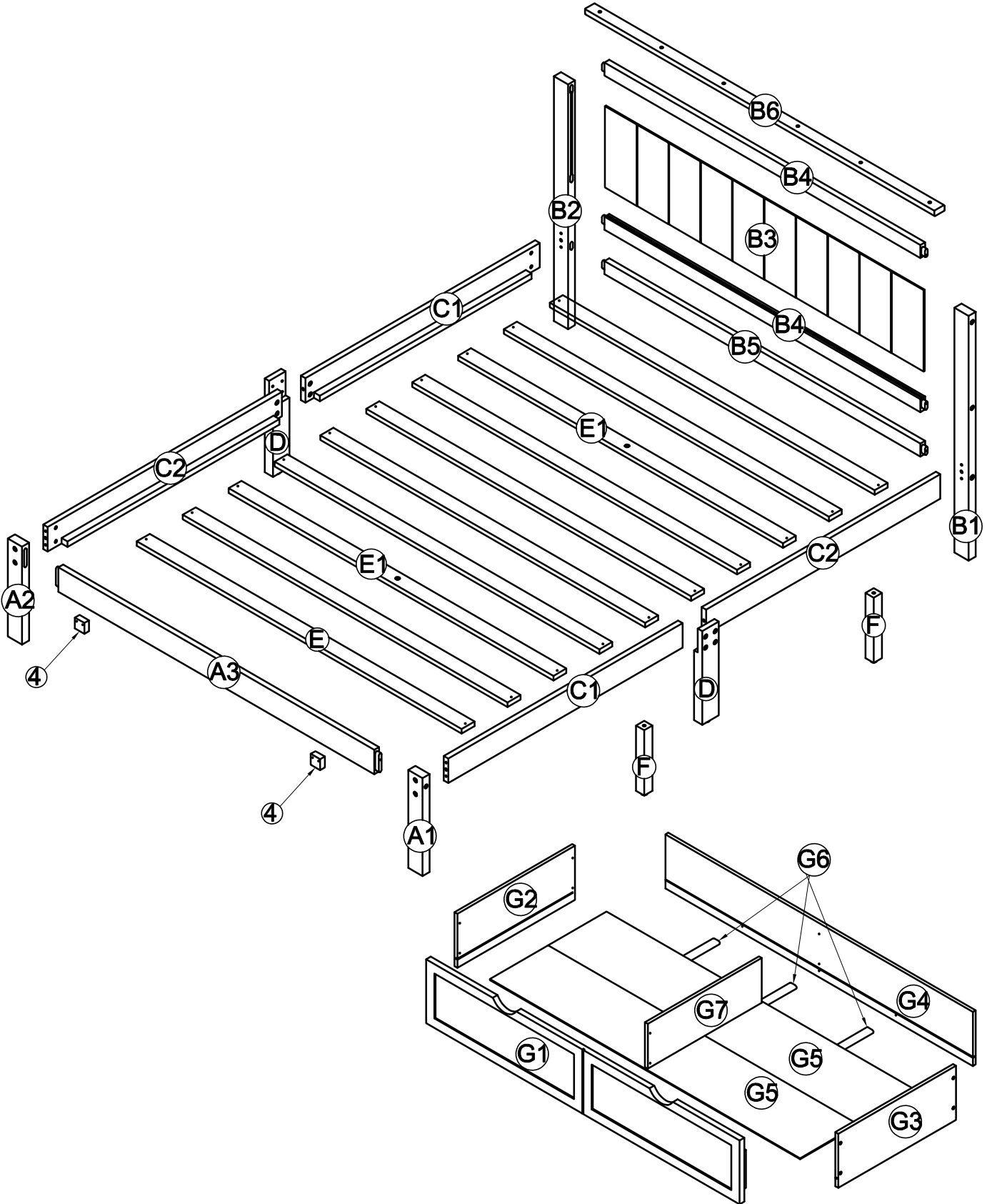
## SAFETY WARNINGS

1. Follow the information on the warning label appearing on the upper bunk end structure and on the carton... Do not remove warning label from bed.
2. Always use the recommended size mattress or mattress support, or both, to help prevent the likelihood of entrapment or falls.
3. Surface of mattress must be at least 5 inches below the upper edge of guard rails.
4. Do not allow children under 6 years to use the upper bunk.
5. Prohibit more than one person on upper bunk.
6. Periodically check and ensure that the guardrail, ladder, and other components are in their proper position, free from damage, and that all connectors are tight.
7. Do not allow horseplay on or under the bed and prohibit jumping on the bed.
8. Always use the ladder for entering and leaving upper bunk.
9. Do not use substitute part. Contact the manufacturer or dealer for replacement part.
10. Use of night light may provide added safety precaution for a child using the upper bunk.
11. If the bunk bed will be placed next to a wall, the guardrail that runs the full length of the bed should be placed against the wall to prevent entrapment between the bed and the wall.
12. Always use guardrail on both long sides of the upper bunk.
13. The use of water or sleep flotation mattresses is prohibited.
14. Keep these instruction for future reference.
15. Strangulation Hazard - Never attach or hang items to any part of the bunk bed that are not designed for use with the bed, for example, but not limited to hooks, belts and jump rores.
16. Trundle : Only use for mattress 6 inch.






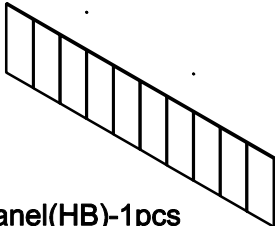
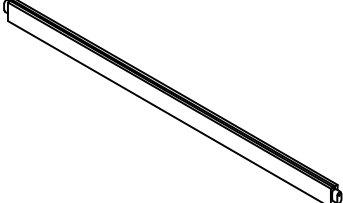
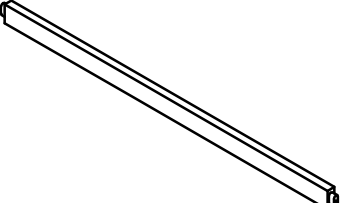

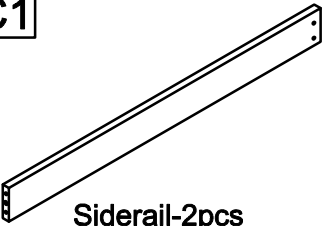
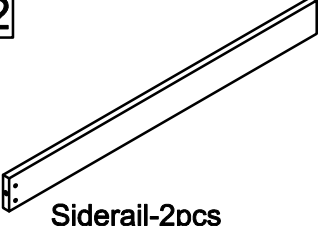

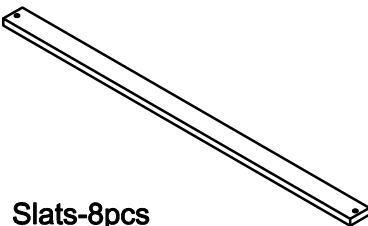
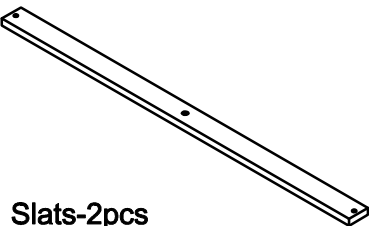
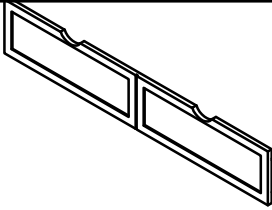
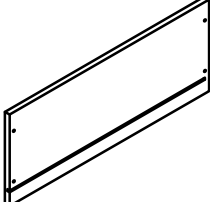
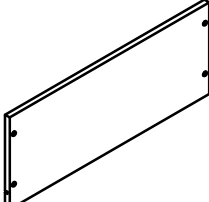
**PLEASE DO NOT RETURN PRODUCT TO THE STORE**

**if you have any problem or concerns, please feel free to contact our customer service department. We will reply you as soon as possible.**

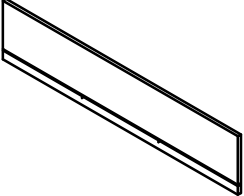
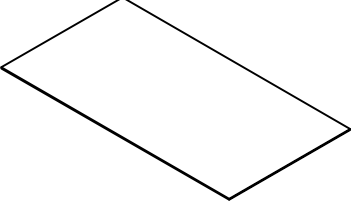
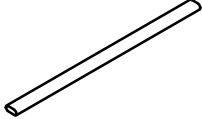

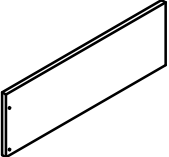
# ASSEMBLY INSTRUCTION



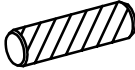

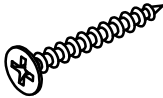






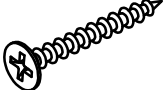
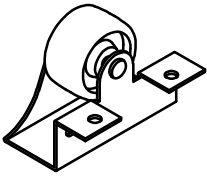
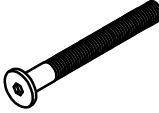
# Part List

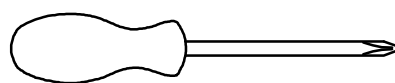
<p><b>A1</b></p>  <p>Leg(FB-Front)-1pcs</p>	<p><b>A2</b></p>  <p>Leg(FB-Back)-1pcs</p>	<p><b>A3</b></p>  <p>Horizontal Bar(FB)-1pcs</p>
<p><b>B1</b></p>  <p>Leg(HB-Front)-1pcs</p>	<p><b>B2</b></p>  <p>Leg(HB-Back)-1pcs</p>	<p><b>B3</b></p>  <p>Panel(HB)-1pcs</p>
<p><b>B4</b></p>  <p>Horizontal Bar(HB)-2pcs</p>	<p><b>B5</b></p>  <p>Horizontal Bar(HB)-1pcs</p>	<p><b>B6</b></p>  <p>Horizontal Bar(HB)-1pcs</p>
<p><b>C1</b></p>  <p>Siderail-2pcs</p>	<p><b>C2</b></p>  <p>Siderail-2pcs</p>	<p><b>D</b></p>  <p>Support Siderail-2pcs</p>
<p><b>E</b></p>  <p>Slats-8pcs</p>	<p><b>E1</b></p>  <p>Slats-2pcs</p>	<p><b>G1</b></p>  <p>Drawer- Front Panel-1pcs</p>
<p><b>G2</b></p>  <p>Drawer- Left Panel-1pcs</p>	<p><b>G3</b></p>  <p>Drawer -Right Panel-1pcs</p>	

# Part List

<b>G4</b>  Drawer- Back Panel-1pcs	<b>G5</b>  Drawer- Bottom Panel-2pcs	<b>G6</b>  Drawer- Support Bottom -3pcs
<b>F</b>  Support Slats-2pcs	<b>G7</b>  Drawer- Center Panel -1pcs	

# Hardware List



<p><b>1</b></p>  <p>Ø10 x 40 mm Wood dowel 6pcs</p>	<p><b>2</b></p>  <p>Screws 1/4" x80 8pcs</p>	<p><b>3</b></p>  <p>M4 x 30 mm Wood Screws 45pcs</p>
<p><b>4</b></p>  <p>Stop Drawer 2pcs</p>	<p><b>5</b></p>  <p>Ø1/4" x 25 mm Hex-Head bolts 8pcs</p>	<p><b>6</b></p>  <p>Ø1/4" x 15 mm Canopy head through -8pcs</p>
<p><b>7</b></p>  <p>Ø1/4" x 80 mm Hex-Head bolts 8pcs</p>	<p><b>8</b></p>  <p>Ø1/4" x 13 mm Horizontal-Hole bolts 8pcs</p>	<p><b>9</b></p>  <p>Allen Key 1pc</p>
<p><b>10</b></p>  <p>M3.5x 12 mm Wood Screws 12pcs</p>	<p><b>11</b></p>  <p>Wheels 4pcs</p>	<p><b>12</b></p>  <p>Ø1/4" x 35 mm Hex-Head bolts 2pcs</p>

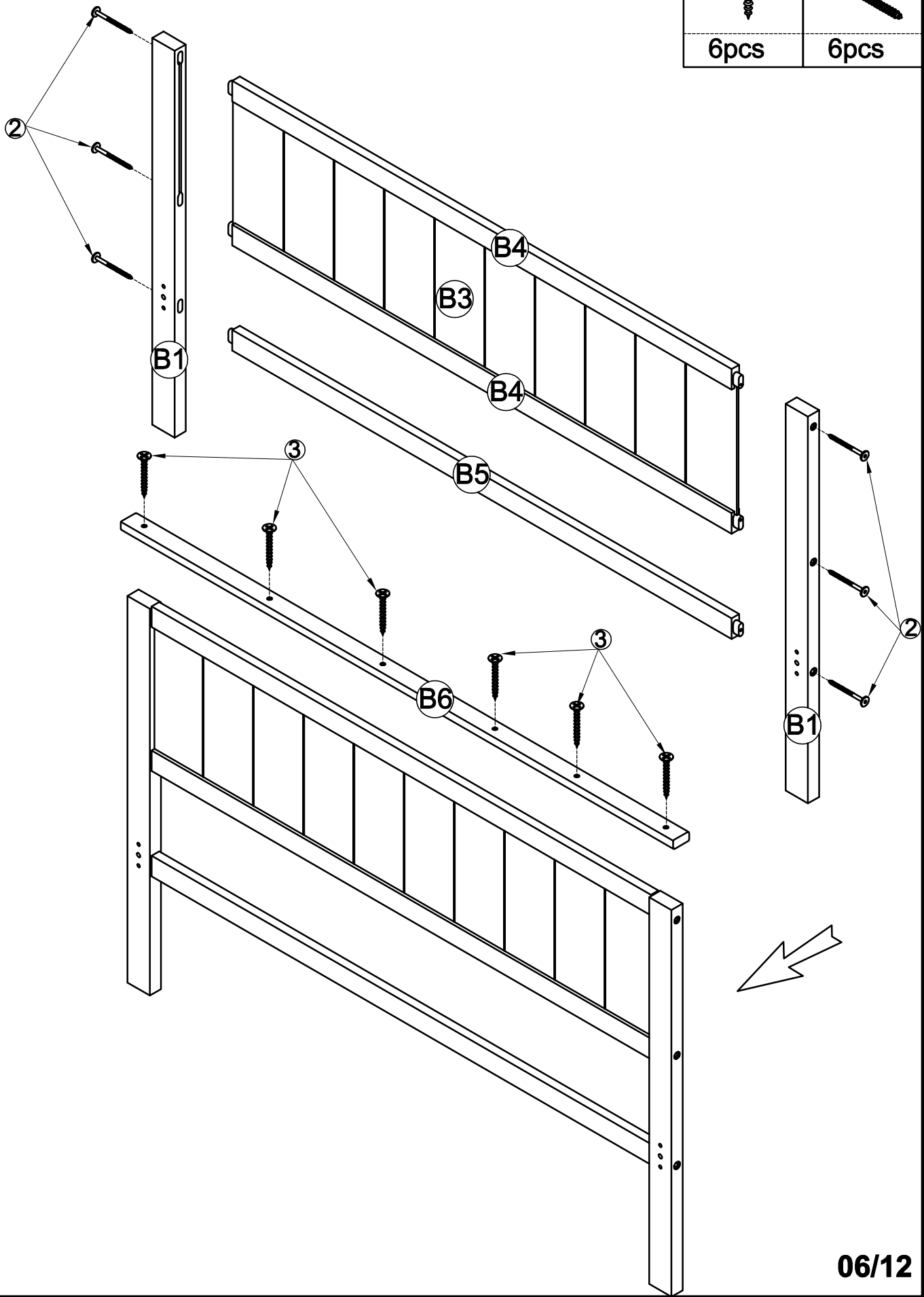


**Assembly Tools Required (Not Included)**

# STEP 1:




Following below illustration Assembly Headboard. Using hardware #2, #3 to complete Headboard. Look at detail view for more detail

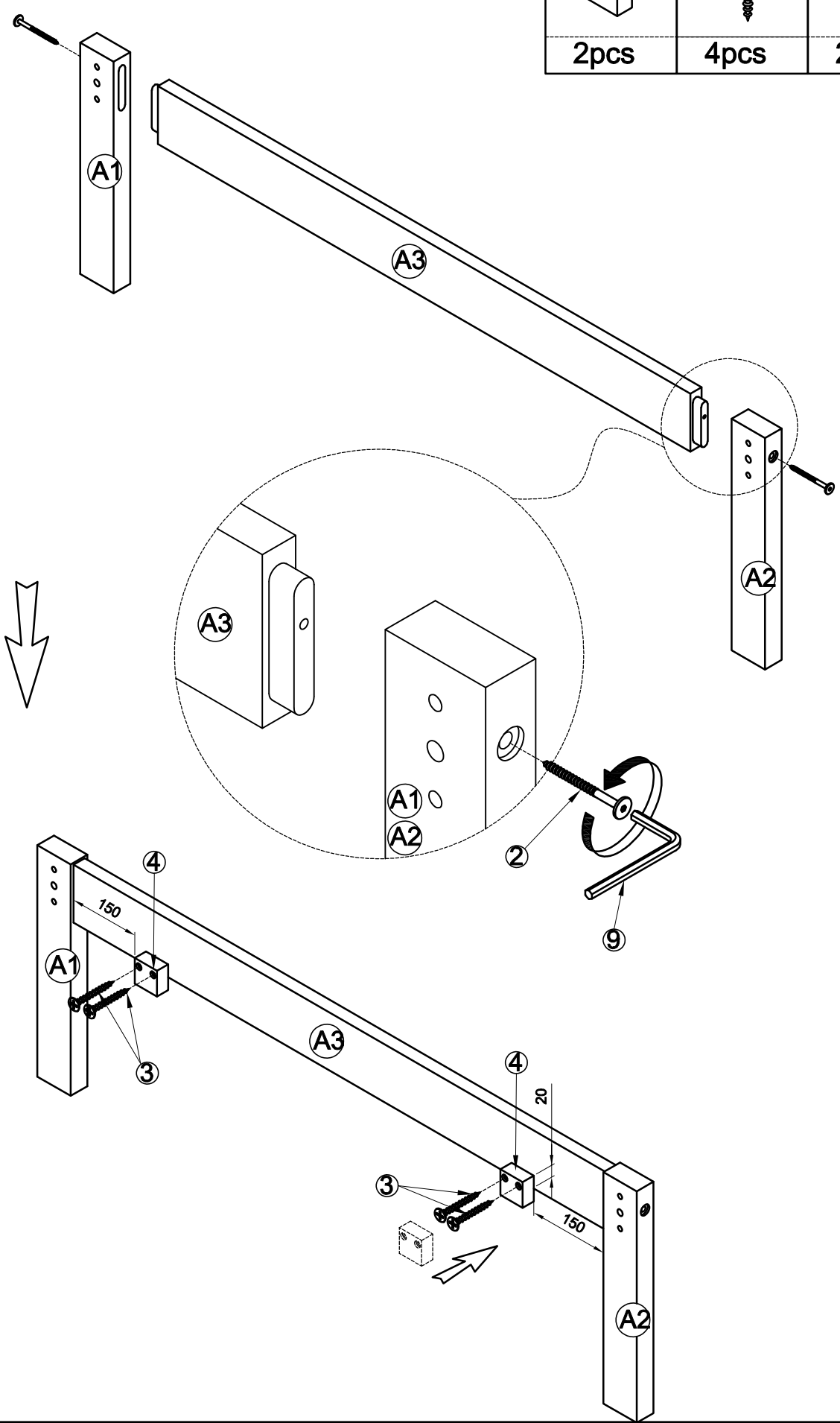
3		2	
6pcs		6pcs	



# STEP 2: Following below illustration Assembly Footboard . Using hardware #2,#3,#4




to complete Footboard .Look at detail view for more detail

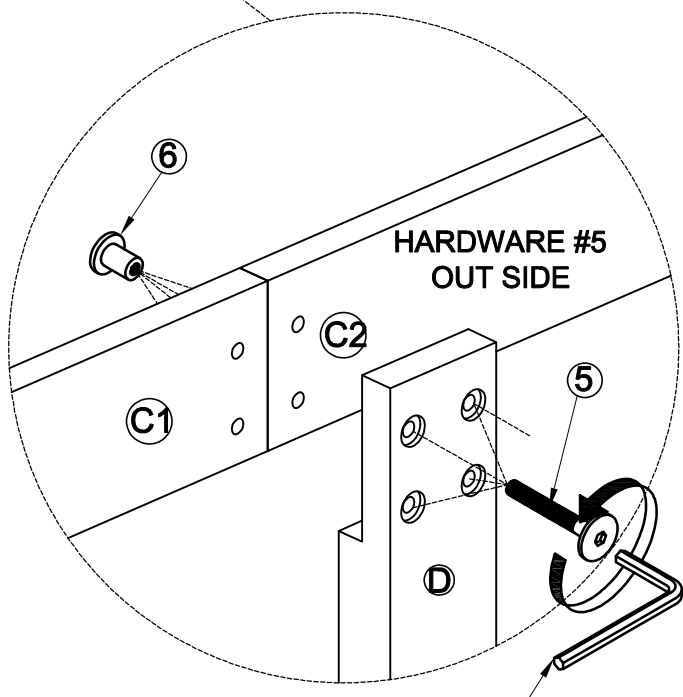
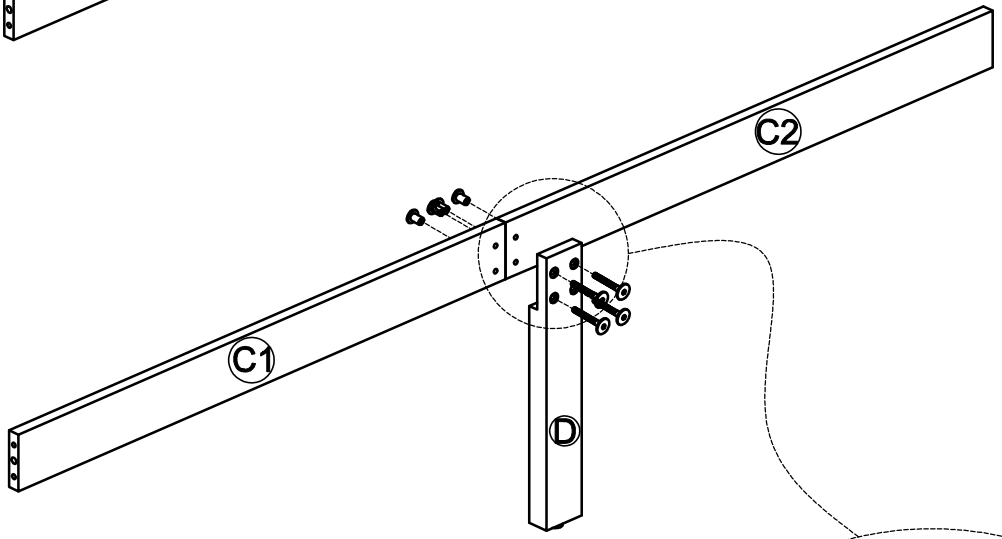
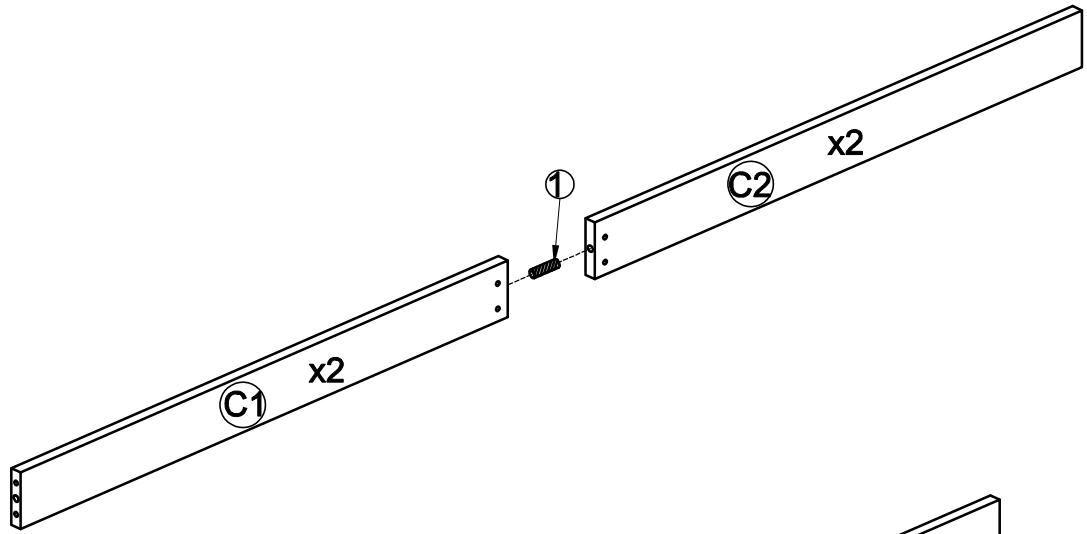
4	3	2
		
2pcs	4pcs	2pcs




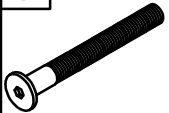

# STEP 3:

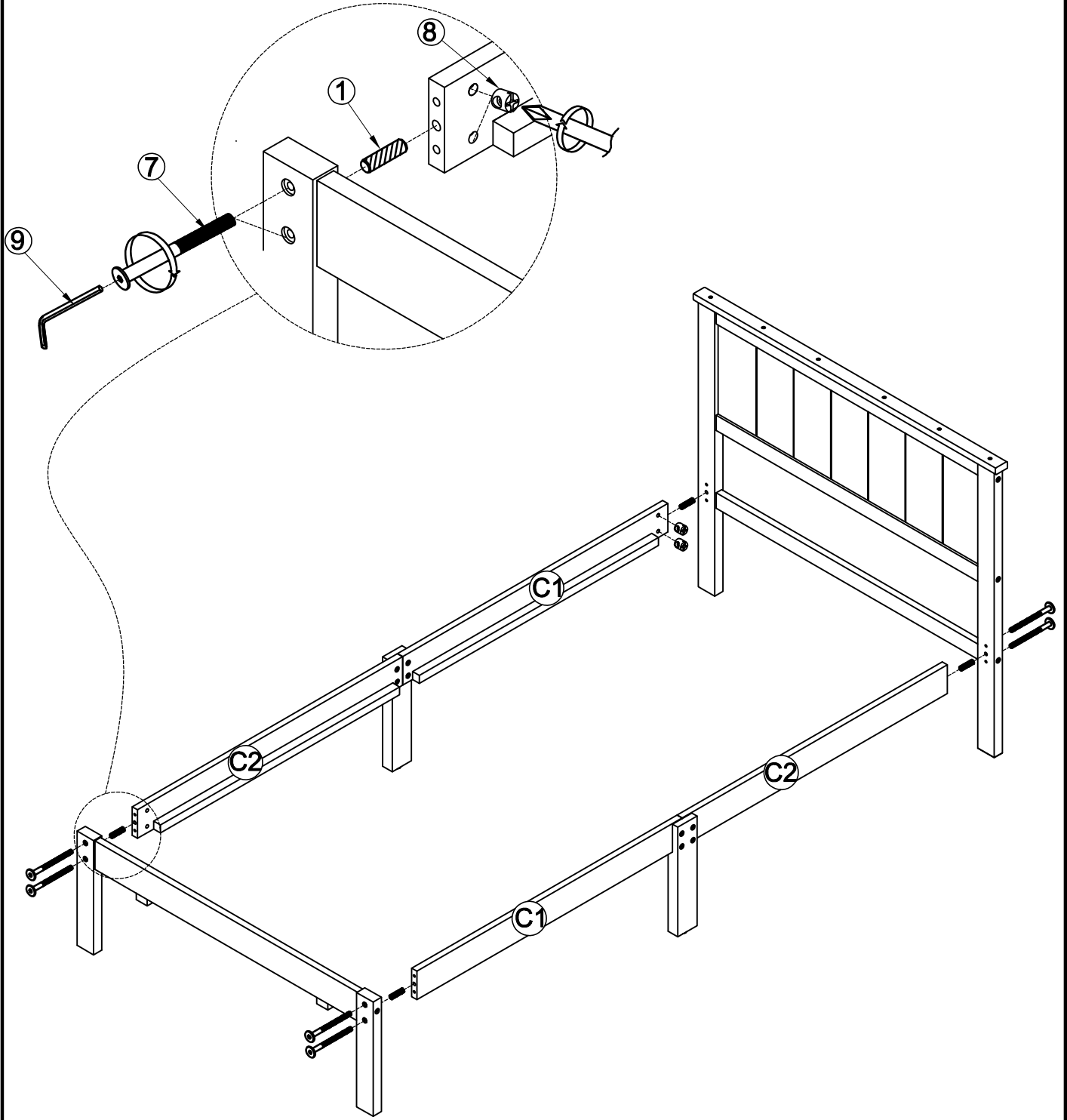
Following below illustration .Using hardware #5,#6 and dowel #1 connect Siderail C1(2),Siderail C2(2) with Support Siderail D(2)

5		1	
	8pcs		2pcs
		6	
			8pcs



**STEP 4:** Following below illustration Using hardware #7, #8 and dowel #1 to Assembly Headboard and Footboard with siderail. Look at detail view for more detail

8	7	1
		
8pcs	8pcs	4pcs



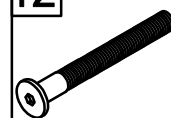
## STEP 5:

Following below illustration:

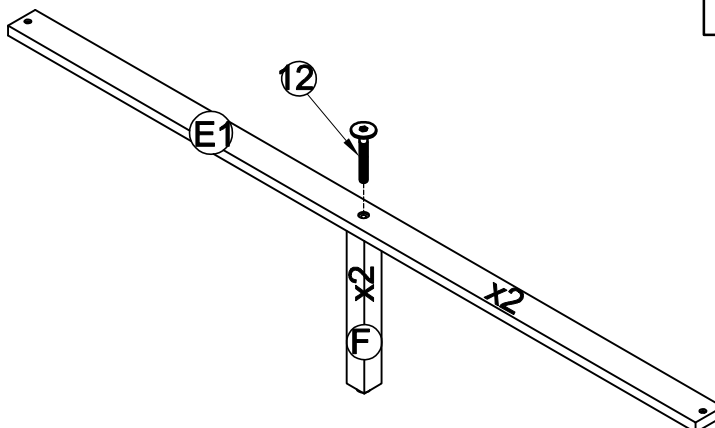
-Assembly 2 slats E1 with 2 Support Slats(F) by using hardward #12.

Look at detail view

12



2pcs



## STEP 6:

Following below illustration:

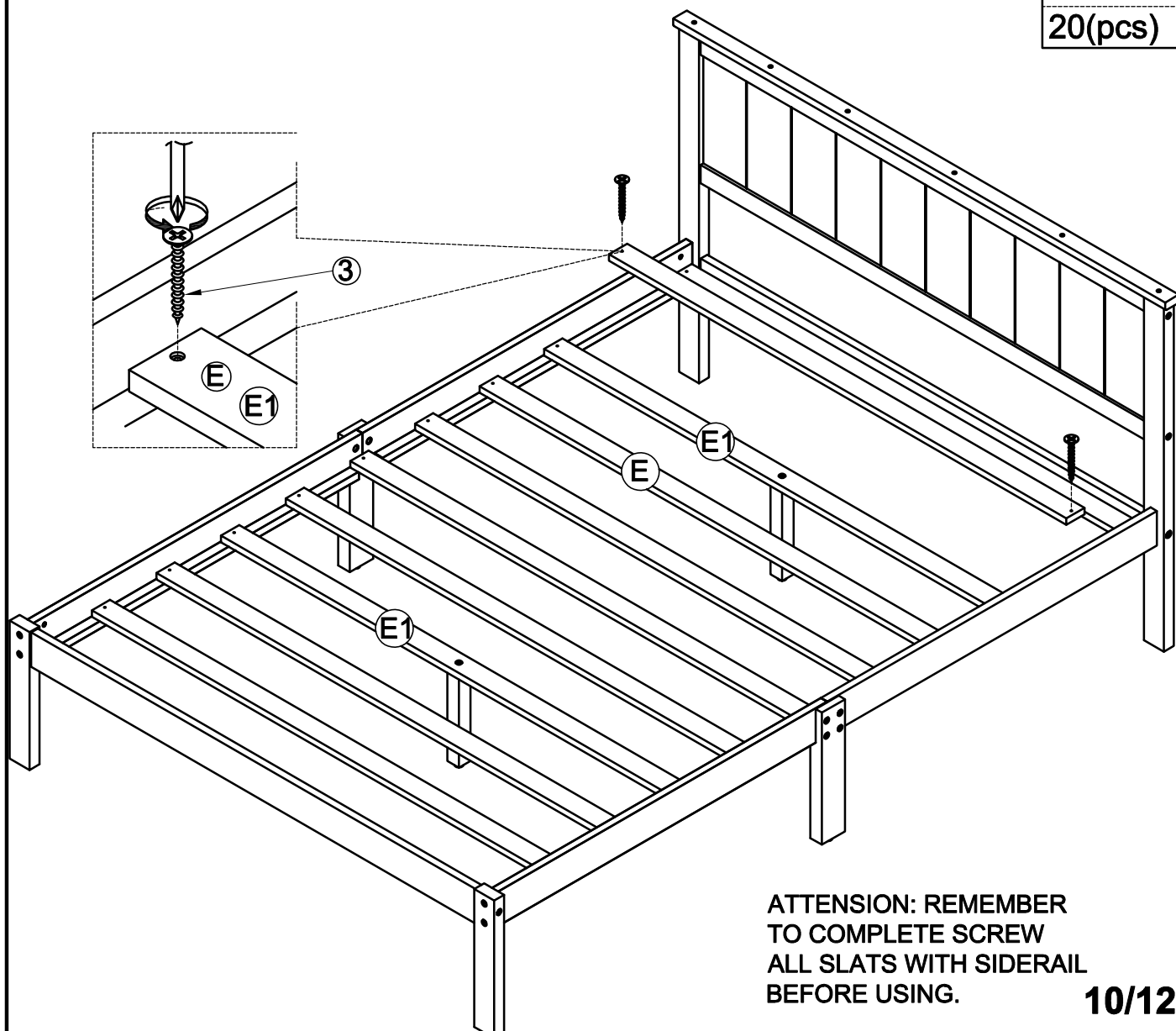
-Assembly 8 slat E & 2 slat E1 using hardward #3.

- Look at detail view

3



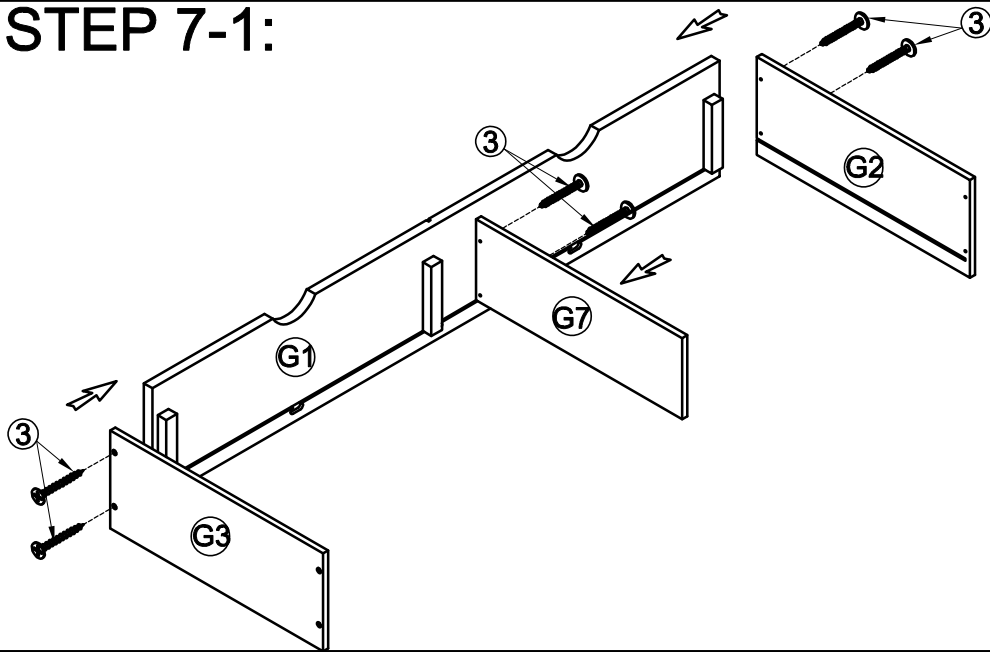
20(pcs)




ATTENTION: REMEMBER  
TO COMPLETE SCREW  
ALL SLATS WITH SIDERAIL  
BEFORE USING.

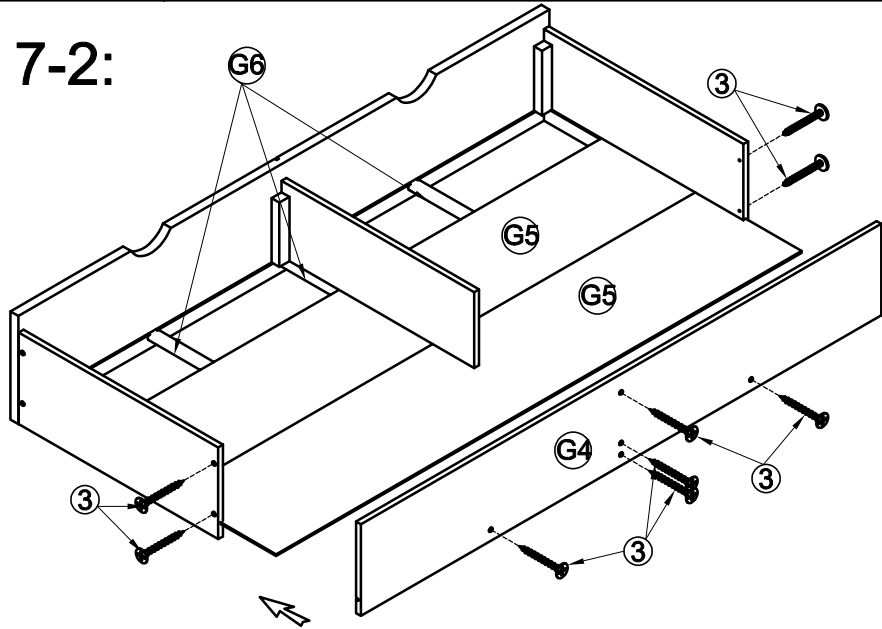
10/12


# STEP 7-1:



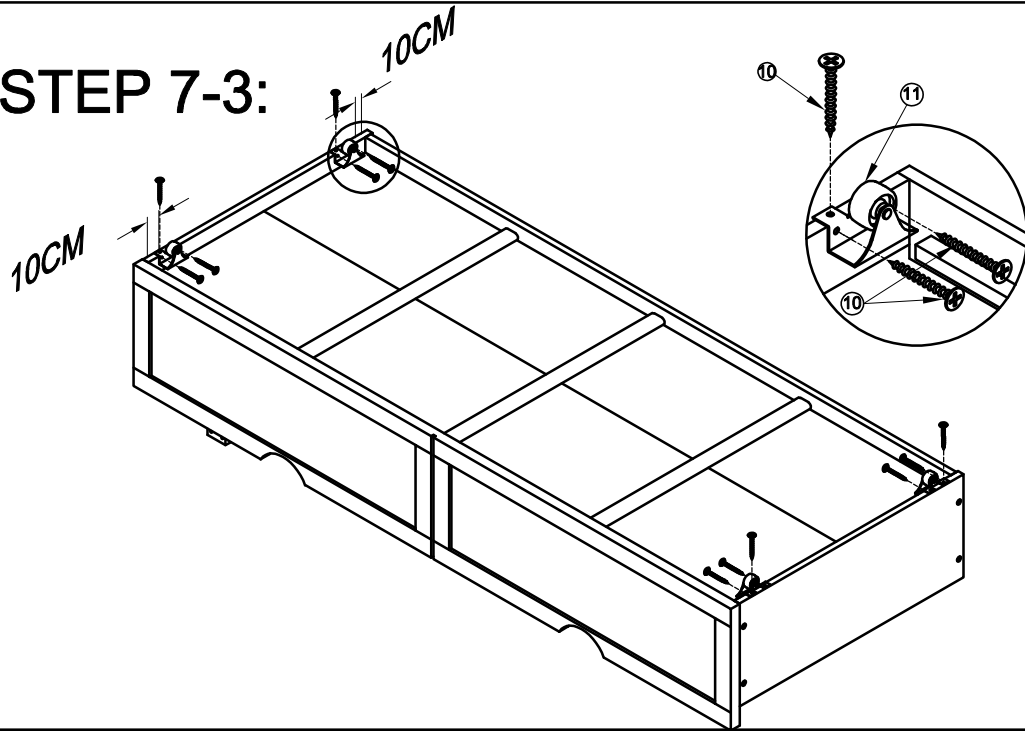
3   
6(pcs)


# STEP 7-2:




3   
9(pcs)

# STEP 7-3:



11   
4(pcs)

10   
12(pcs)

**STEP 8:** -Push Drawer in to under Footboard of Bed

