
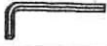


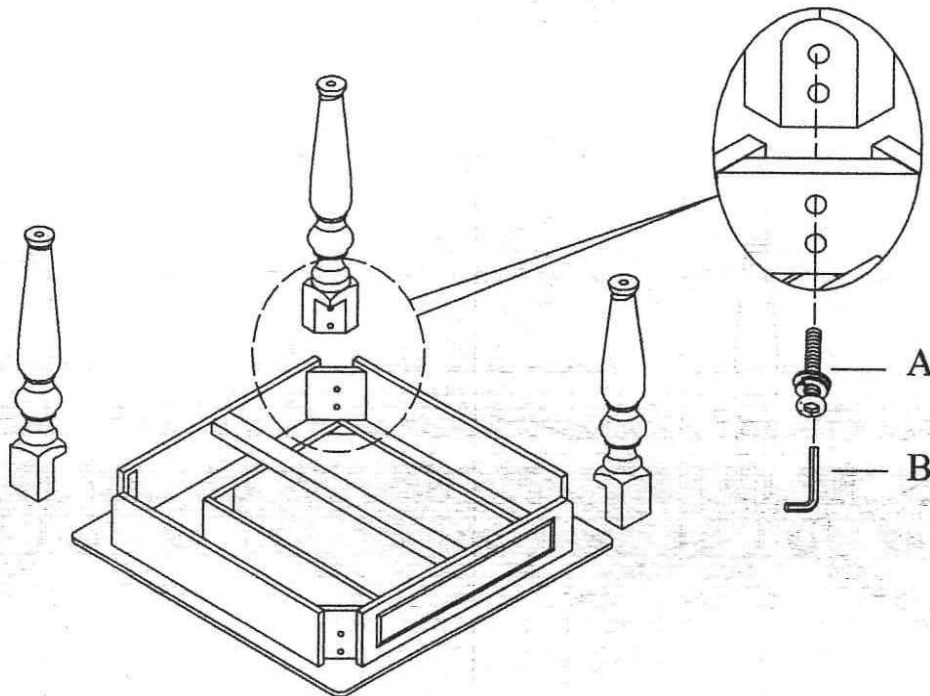
ASSEMBLY INSTRUCTIONS

END TABLE

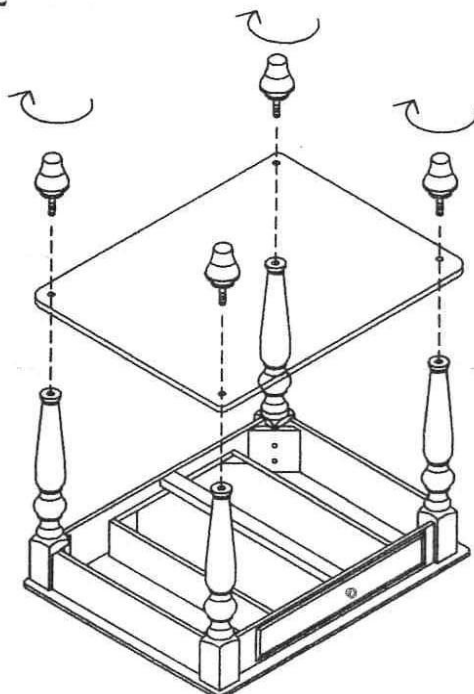
Do not tighten screws until completely Assembled

Hardware List			
A		Ø5/16"*2"L	8
B		5mm	1

STEP 1



STEP 2



STEP 3

