




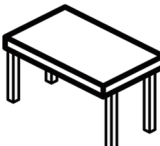



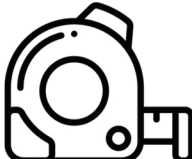
# Installation Instructions



Recommended to wear gloves to avoid scratches.  
Please read the instructions COMPLETELY before assembly.

After opening the package, if you notice a slight deformation in the wall panels, there's no need for concern. Our material is flexible and can be manually bent back into place.

# REQUIRED TOOLS

<b>Tools</b>			
	Gloves	Table	Ladder
			
	Power drill	Screw driver	Tape Measure

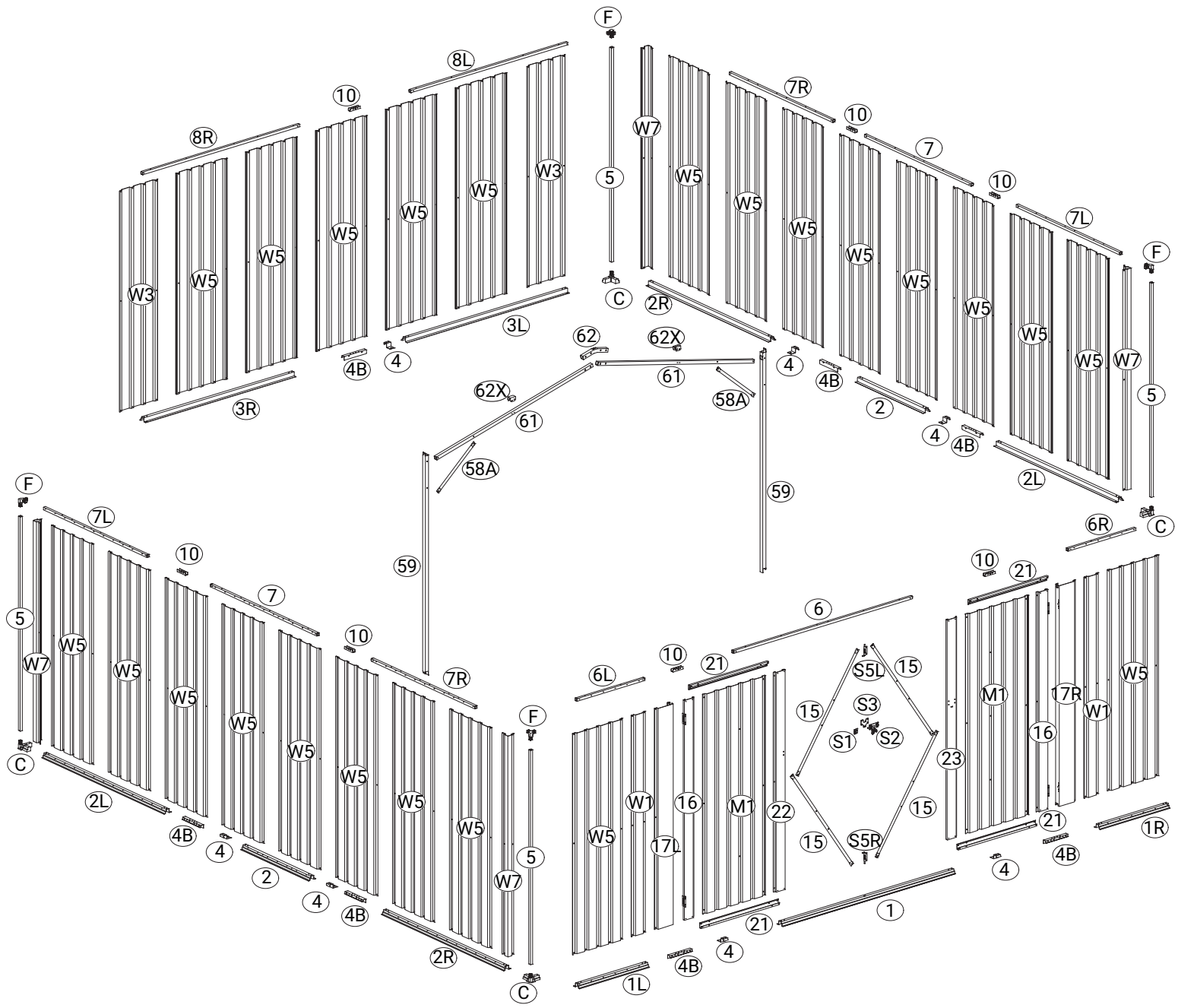
# ASSEMBLY TIPS

1. Clear a working area to allow access on all four sides. A raised work surface will make assembly easier. It is easier to install the wall panel on the table.
2. All parts are identified, so when working through the instructions page by page, the diagrams show where each part is positioned.
3. Before starting, to avoid any accidental injury, we recommend the use of gloves to protect your hands.
4. Please keep children away from your construction site.
5. Most assembly can be completed by one person, but assistance may be needed when you reach the erection stage.
6. Please note: Some local government authorities have rules & regulations on shed installation, and you may need approval to erect this shed.

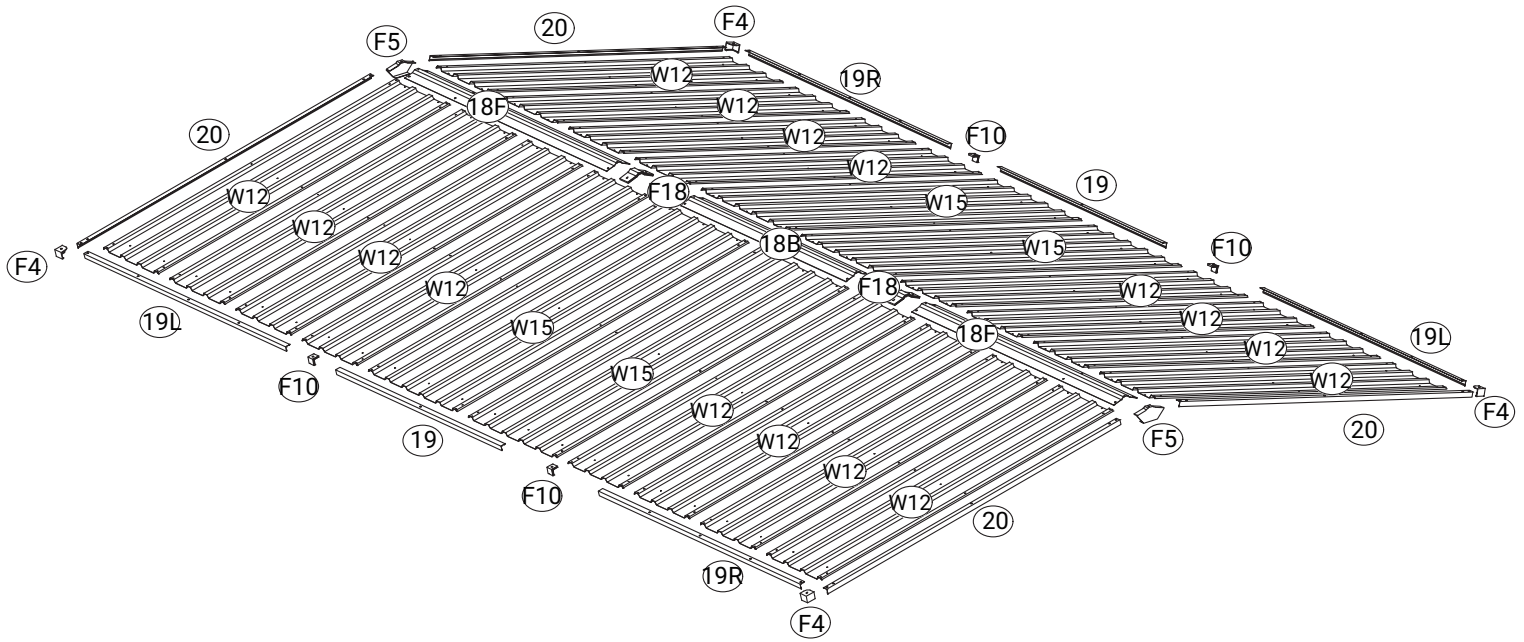
# ASSEMBLY STEPS

1. Unpack all components from the carton and lay them out beside your work area. Check parts against the parts list.
2. Work through the assembly instructions page by page.
3. Once assembly is completed, place the shed in position and fix the anchor to the ground.
4. Clean up all metal pieces and screws.

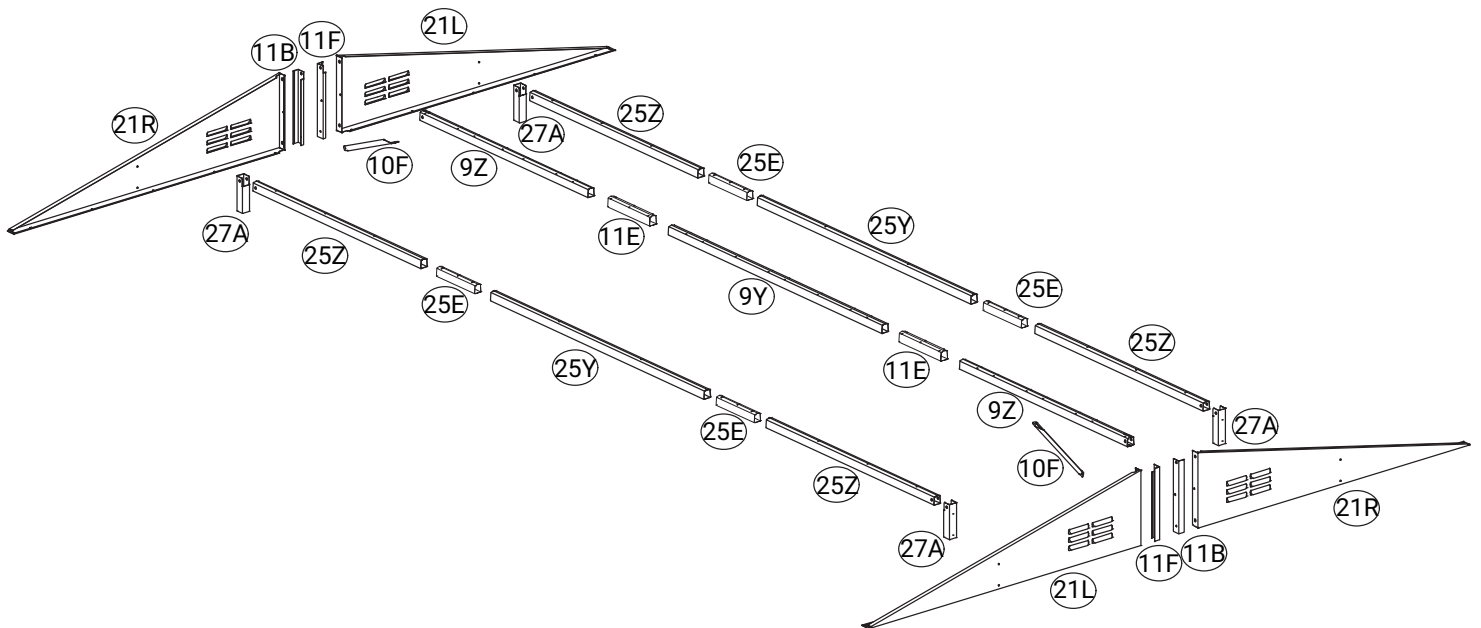
# Door and Shed base









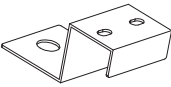
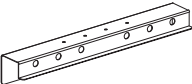
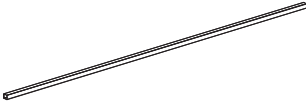












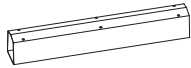
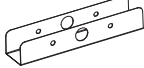
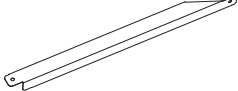

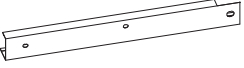


# Shed top panels

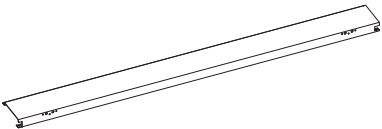
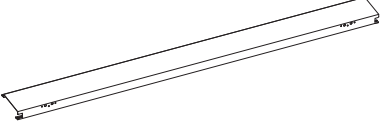
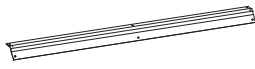
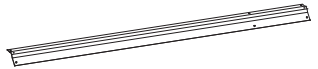





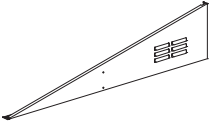

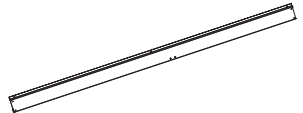
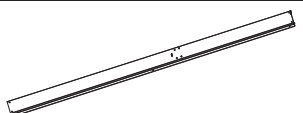




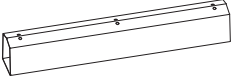
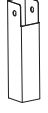



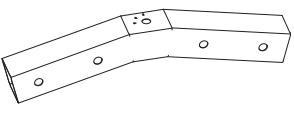
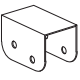


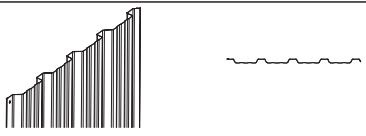



# Shed top frame


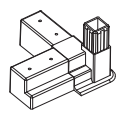


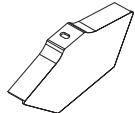

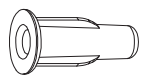

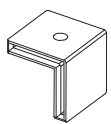
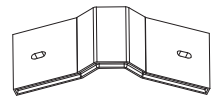
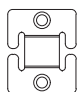
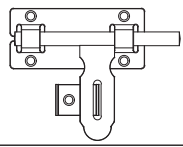
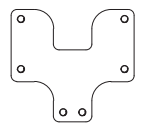
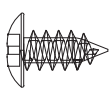


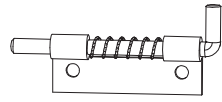
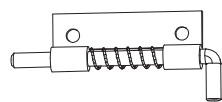
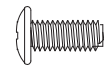
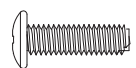

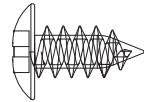

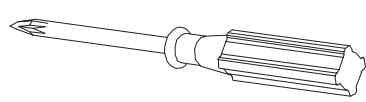
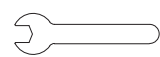
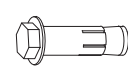
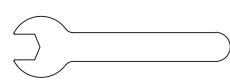
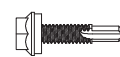


NO.	PART.	Qty.
1L		1
1		1
1R		1
2L		2
2		2
2R		2
3L		1
3R		1
4		7
4B		7
5		4
6L		1
6		1
6R		1

NO.	PART.	Qty.
7L		2
7		2
7R		2
8L		1
8R		1
9Z		2
9Y		1
11E		2
10		7
10F		2
11F		2
11B		2
15		4
16		2

NO.	PART.	Qty.
17L		1
17R		1
18B		1
18F		2
19L		2
19		2
19R		2
20		4
21		4
21L		2
21R		2
22		1
23		1
25Z		4

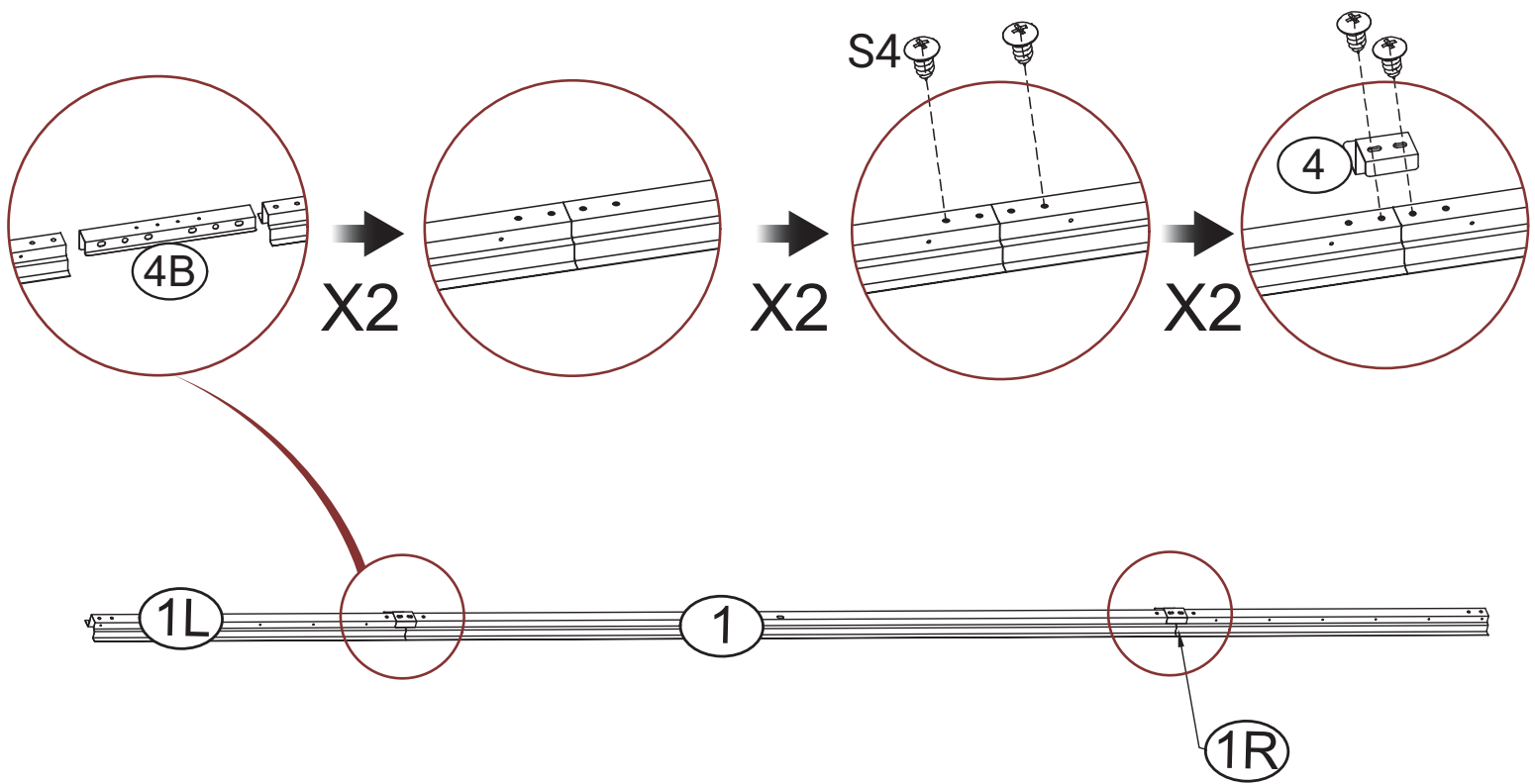
NO.	PART.	Qty.
25Y		2
25E		4
27A		4
58A		2
59		2
61		2
62		1
62X		2
W1		2
W3		2
W5		23
W7		4
W12		16
W15		4


NO.	PART.	Qty.
M1		2
C		4
F		4
F4		4
F5		2
F7		220
F8		52
F9		2
F10		4
F18		2
S1		1
S2		1
S3		1
S4		564

NO.	PART.	Qty.
S5L		1
S5R		1
S6		66
S6A		10
S7		70
S8		12
S9		4
S12		1
S15		1
S34		7
S35		1
Q13		24
Q14		10
Q17		16



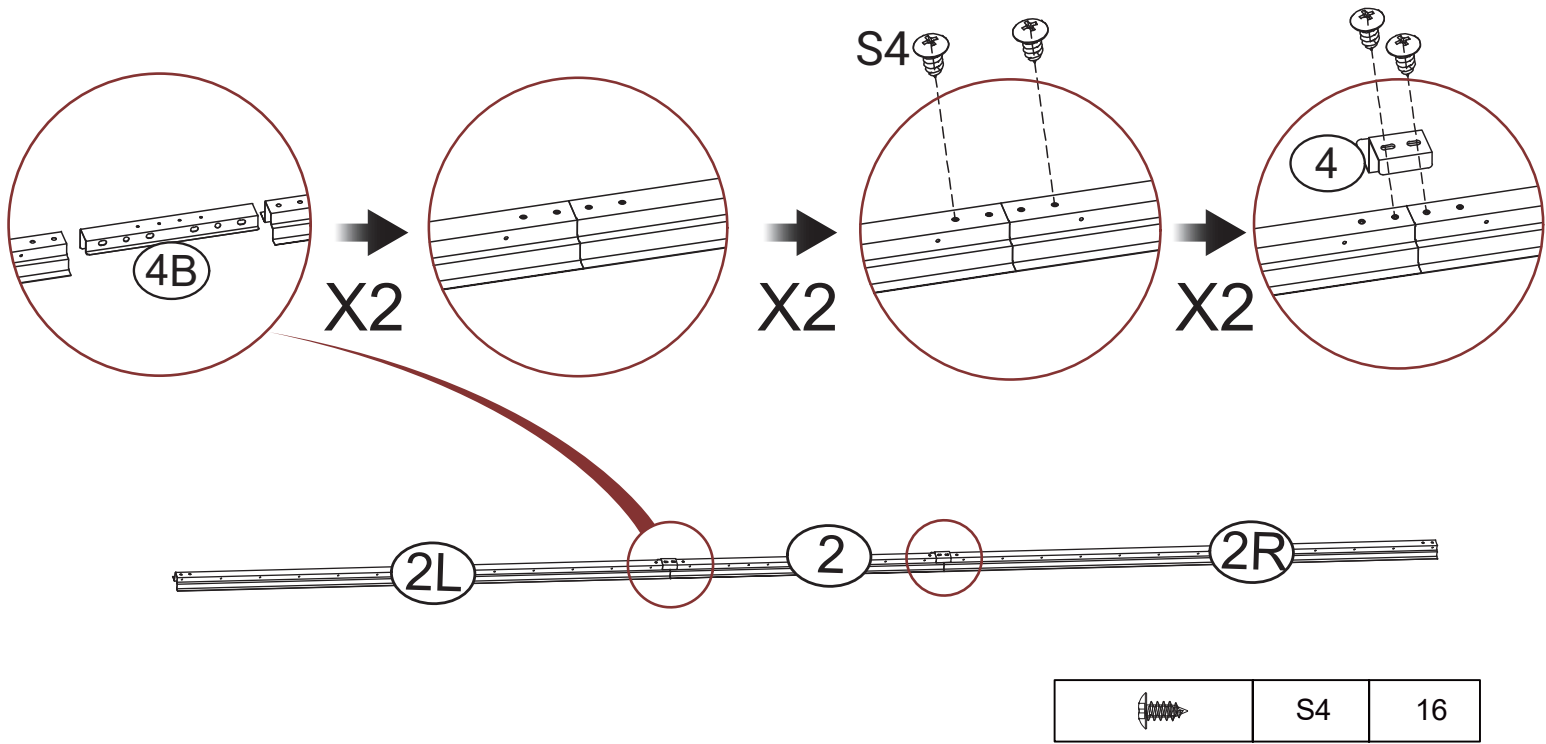
# STEP 1



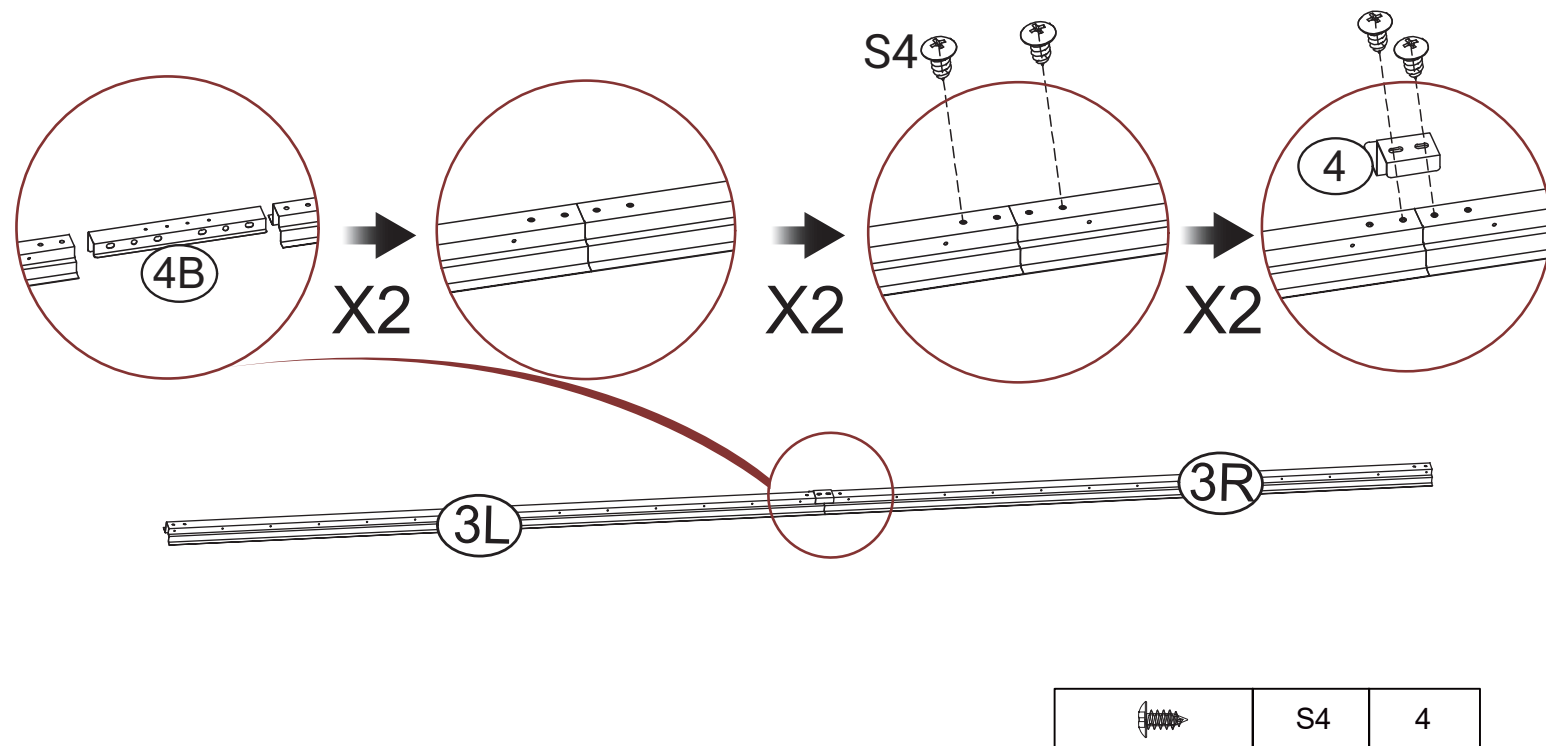
	S4	8
---	----	---

# STEP 2

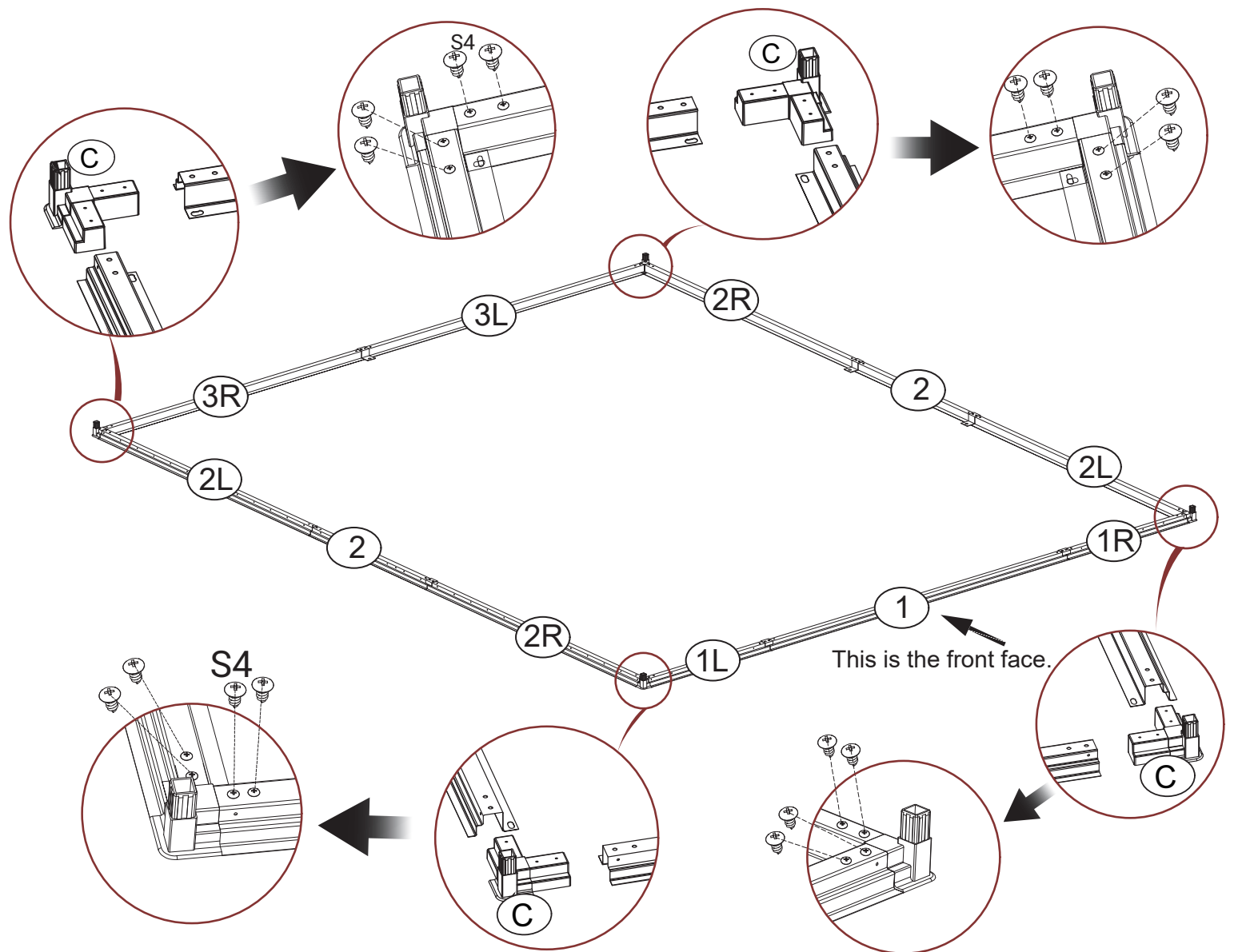
# X2




# STEP 3

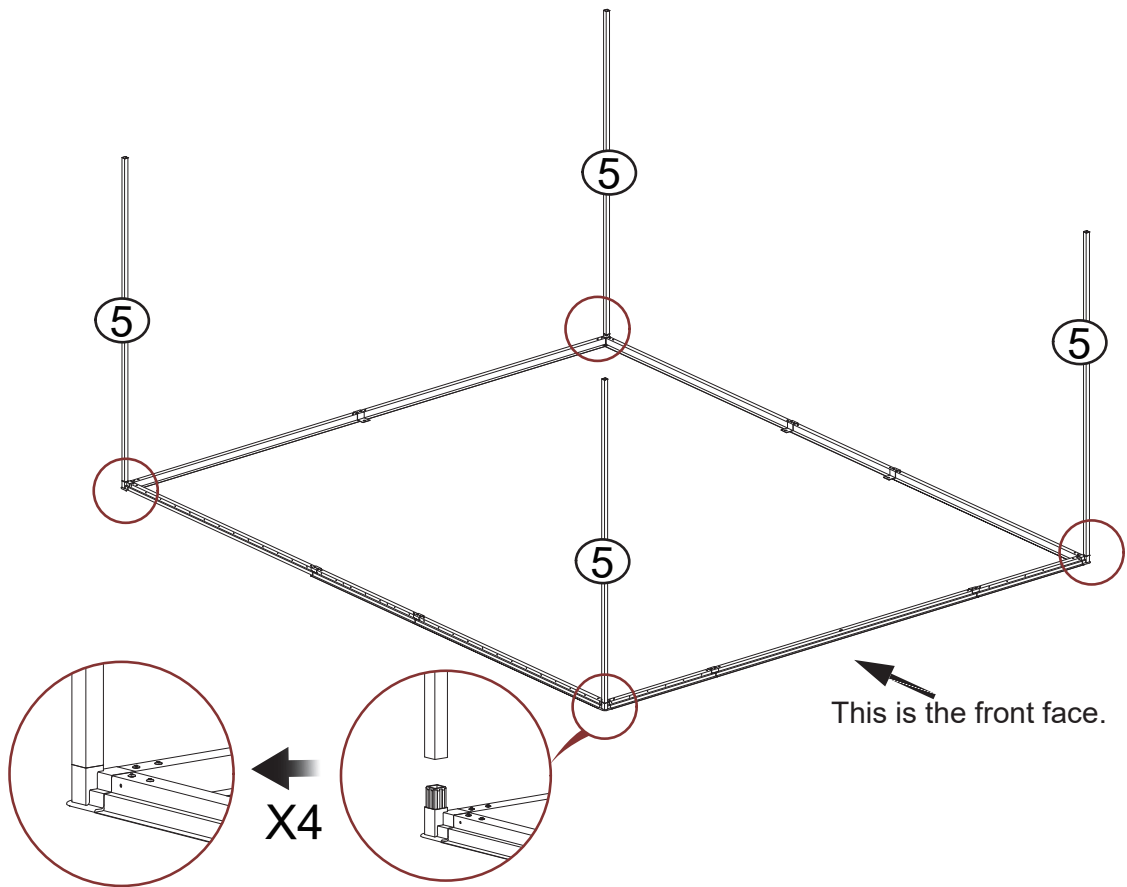


# STEP 4

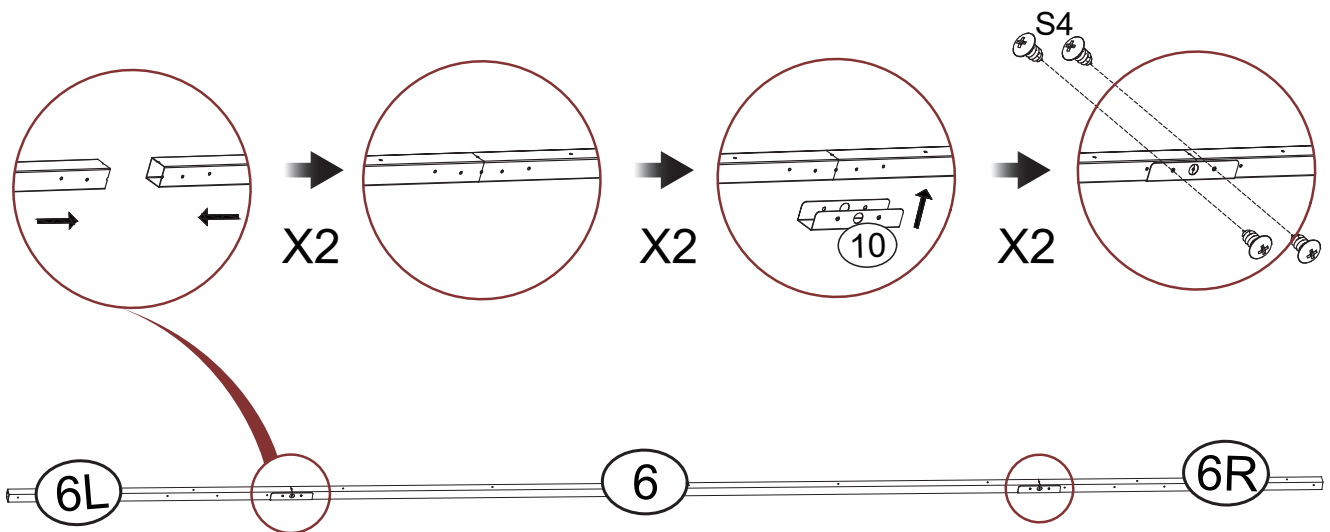


	S4	16
---	----	----

# STEP 5



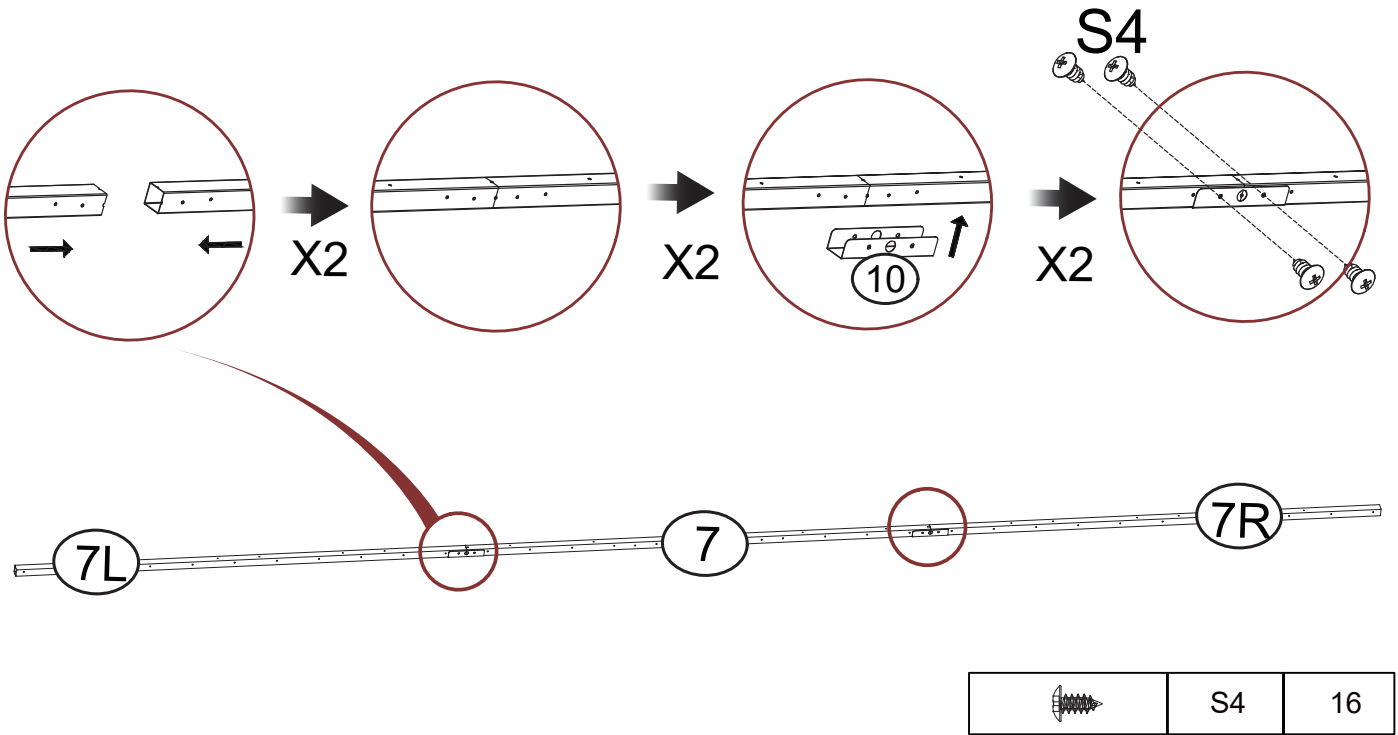
# STEP 6



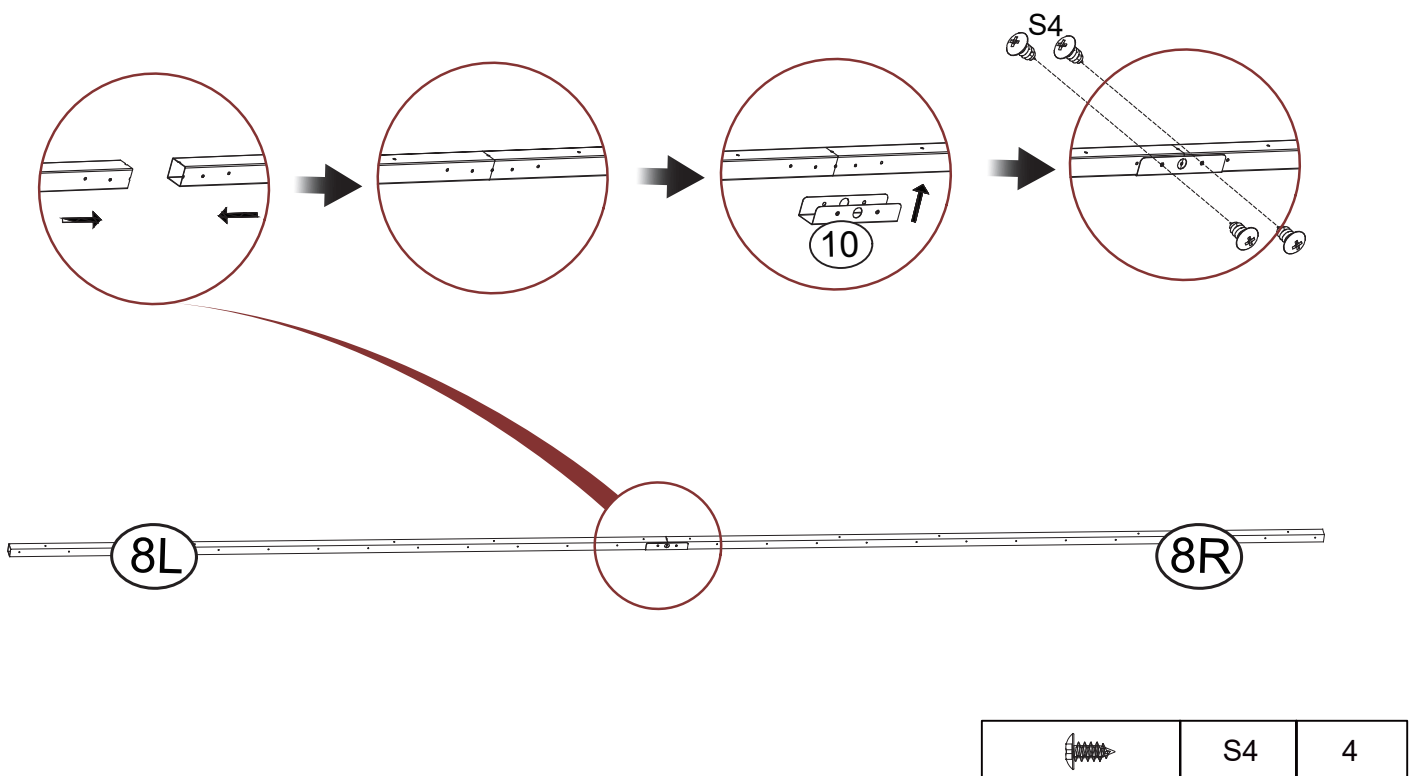
	S4	8
---	----	---

# STEP 7

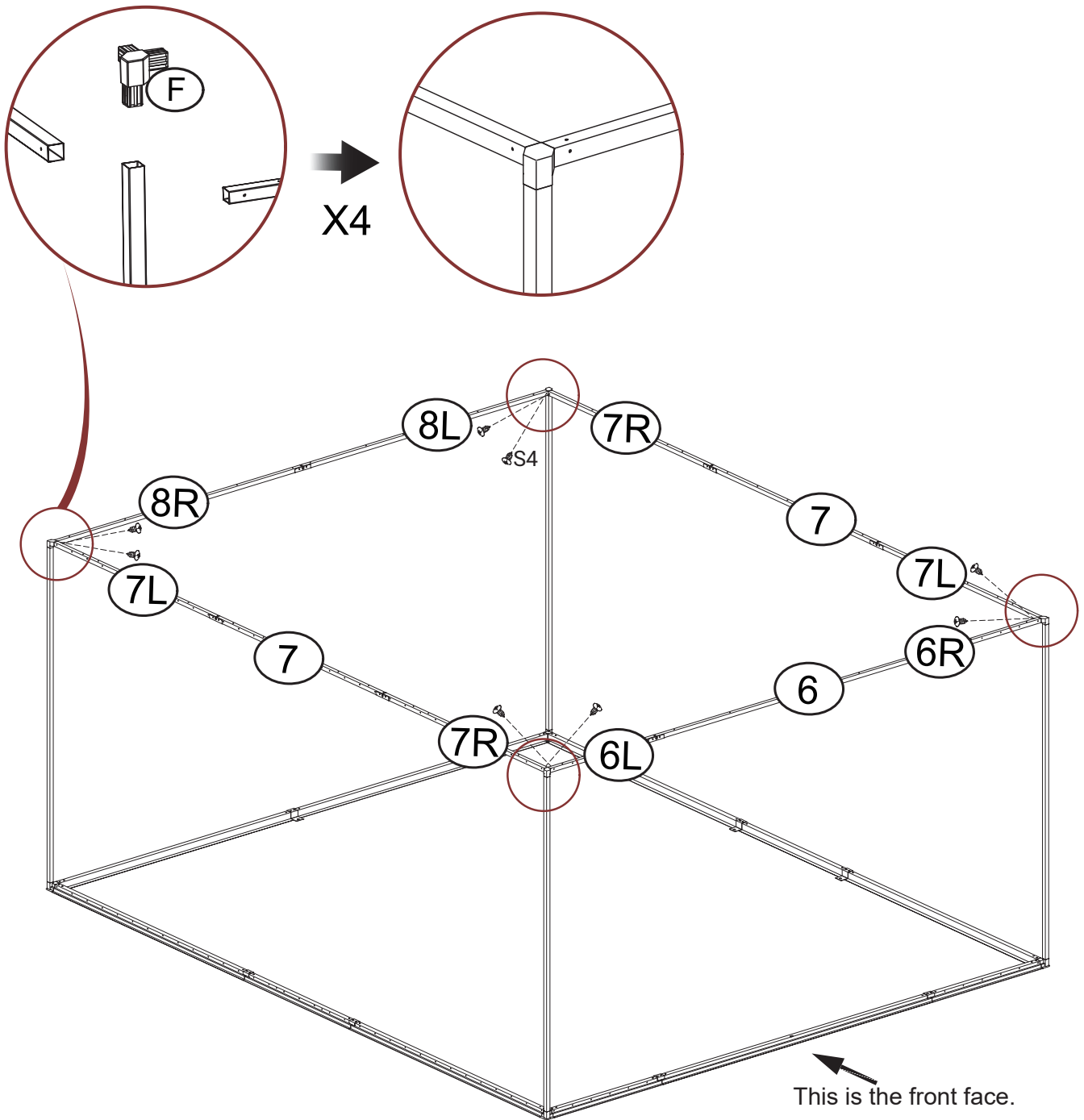
# X2



# STEP 8

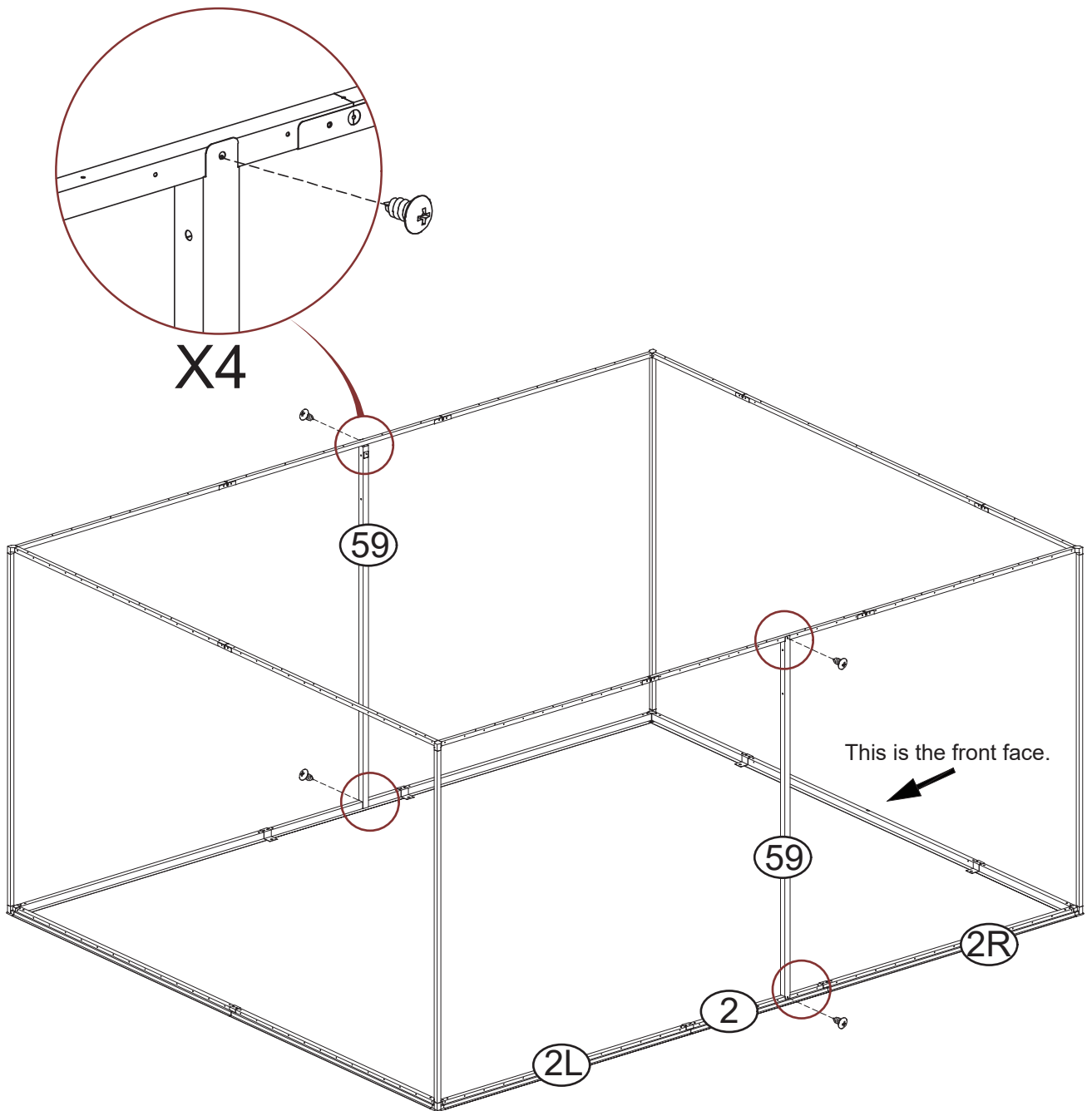



# STEP 9



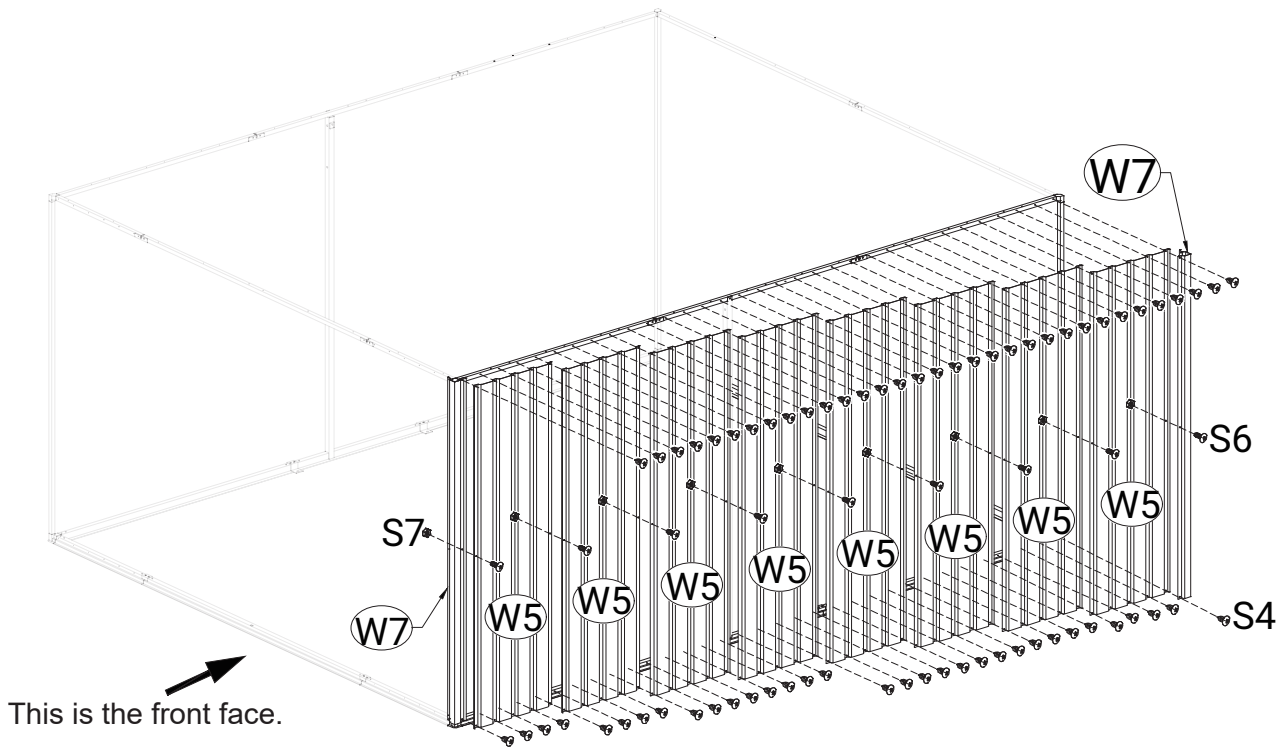
	S4	8
---	----	---




# STEP 10



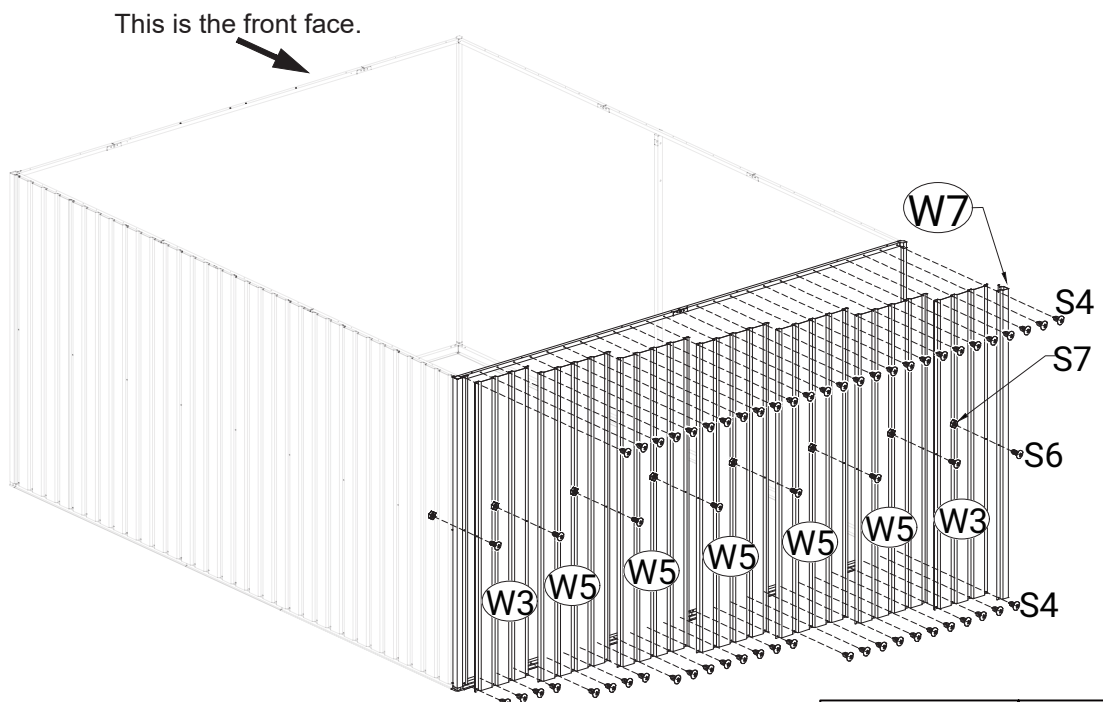
	S4	4
---	----	---

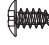


# STEP 11



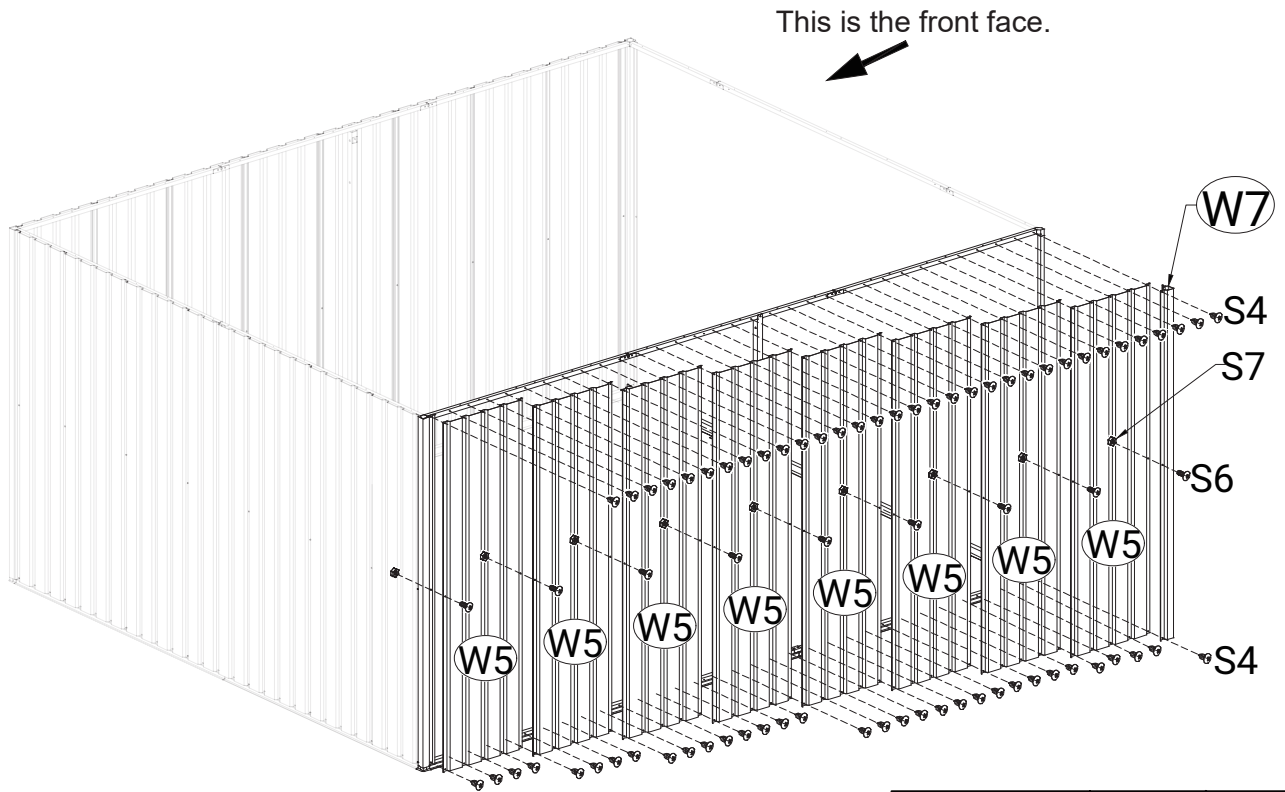
				S4	66
	S7	9		S6	9




# STEP 12



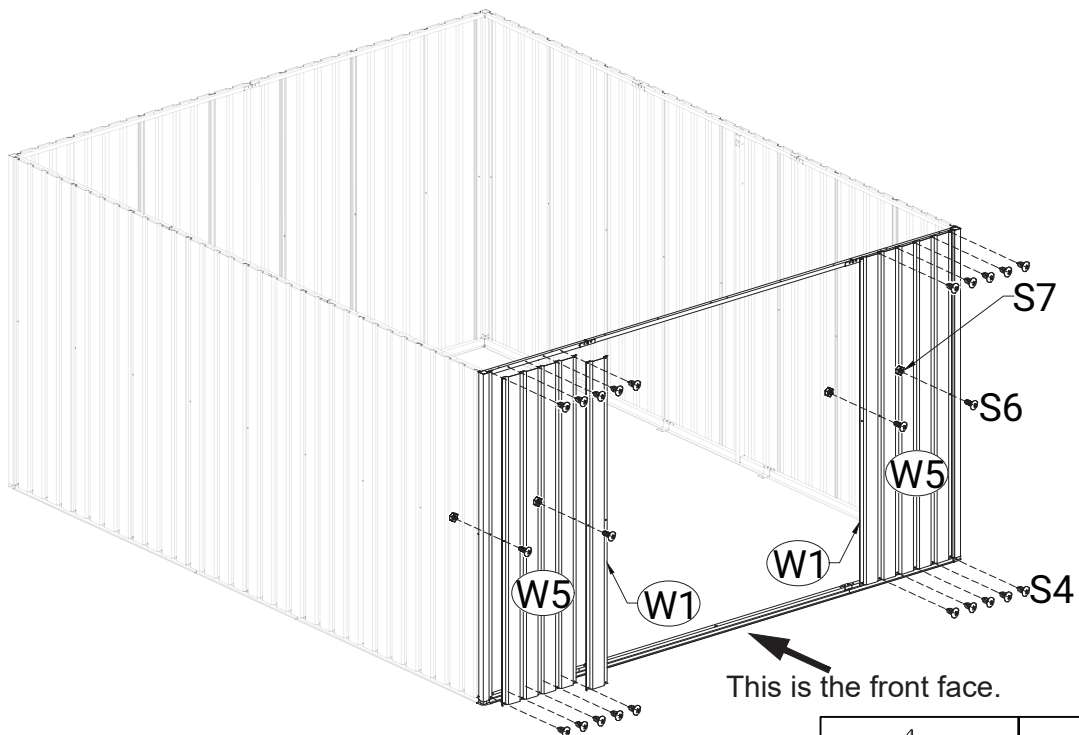
				S4	54
	S7	8		S6	8




# STEP 13



				S4	66
	S7	9		S6	9

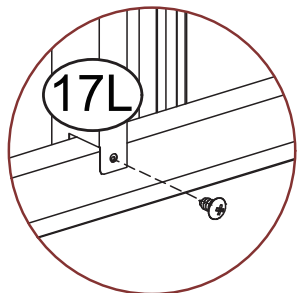
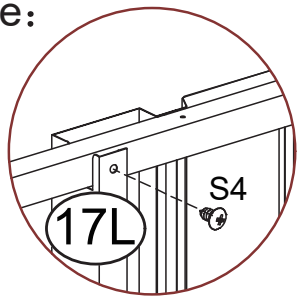
# STEP 14



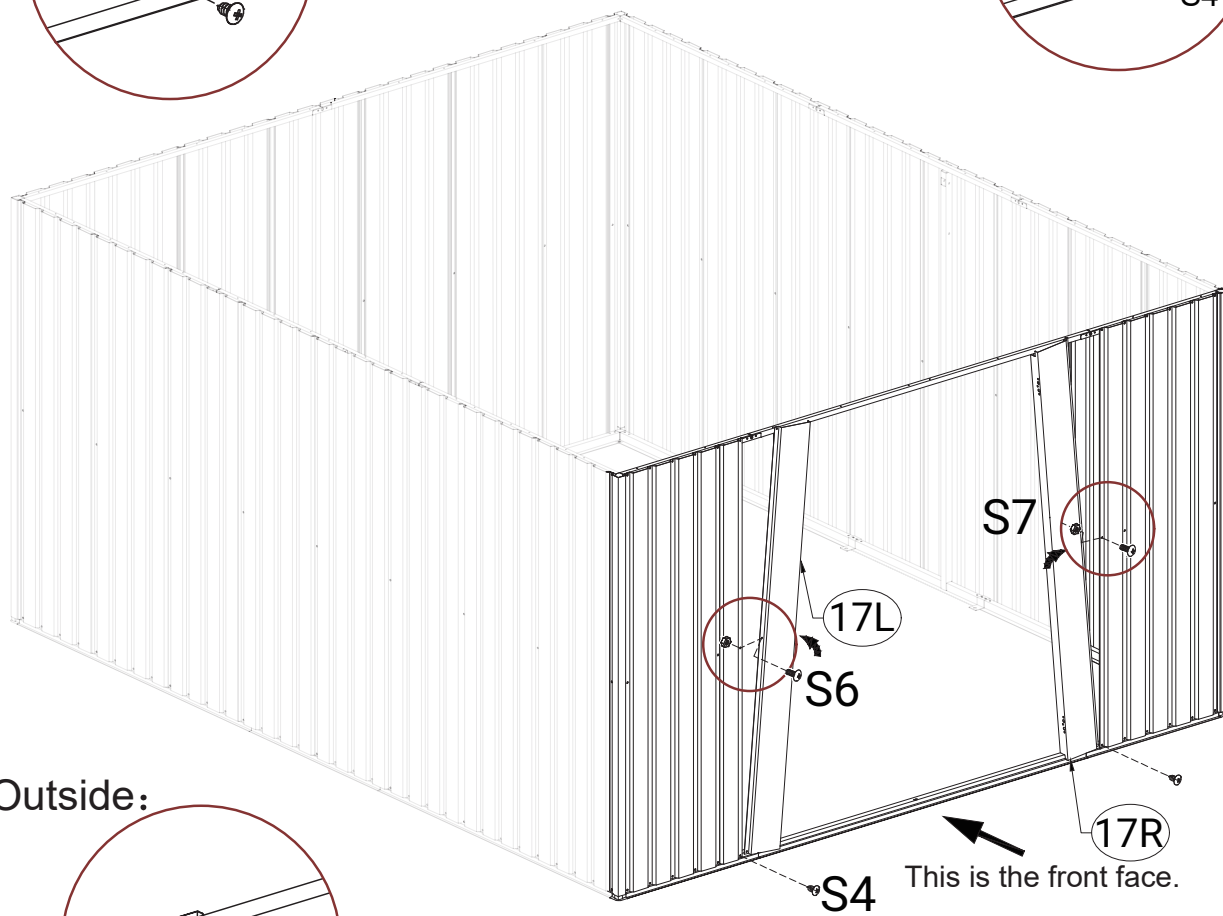
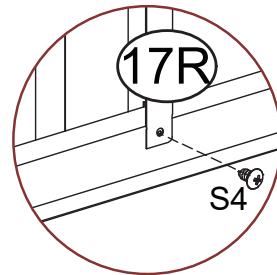
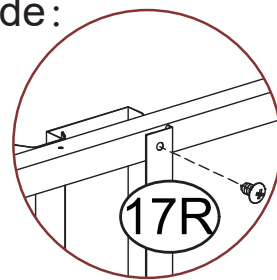
				S4	20
	S7	4		S6	4

# STEP 15

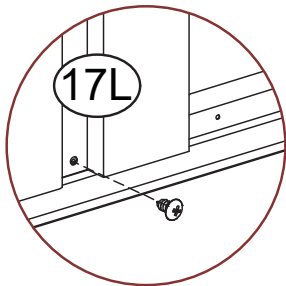
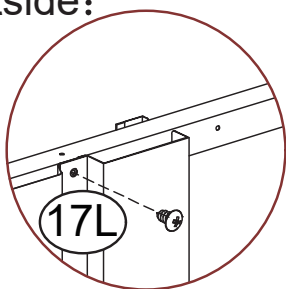
Inside:



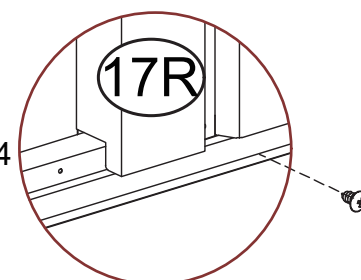
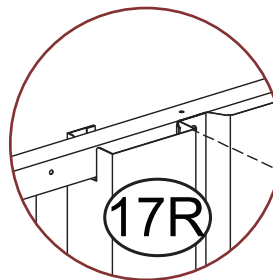
Inside:






Outside:

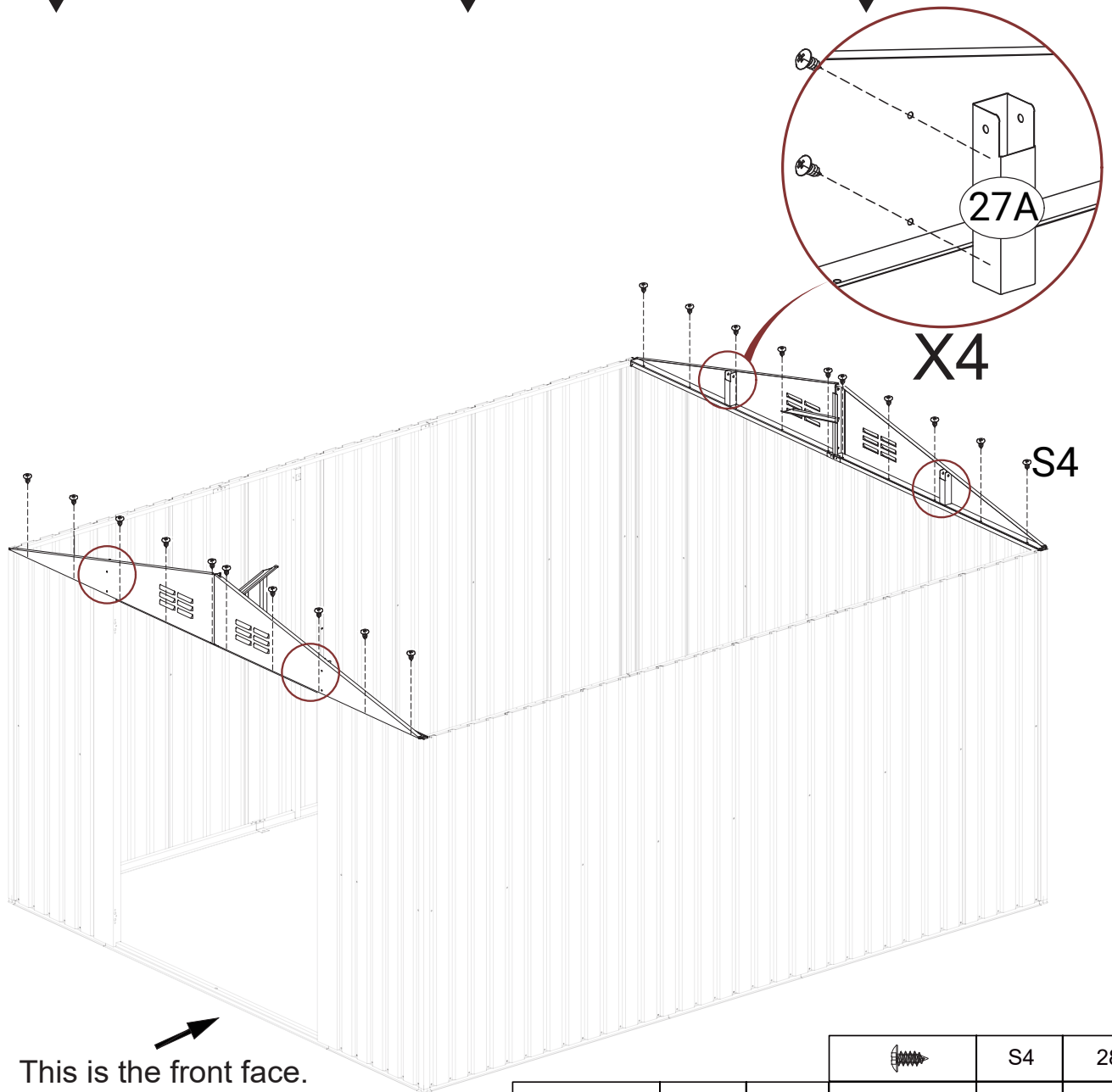
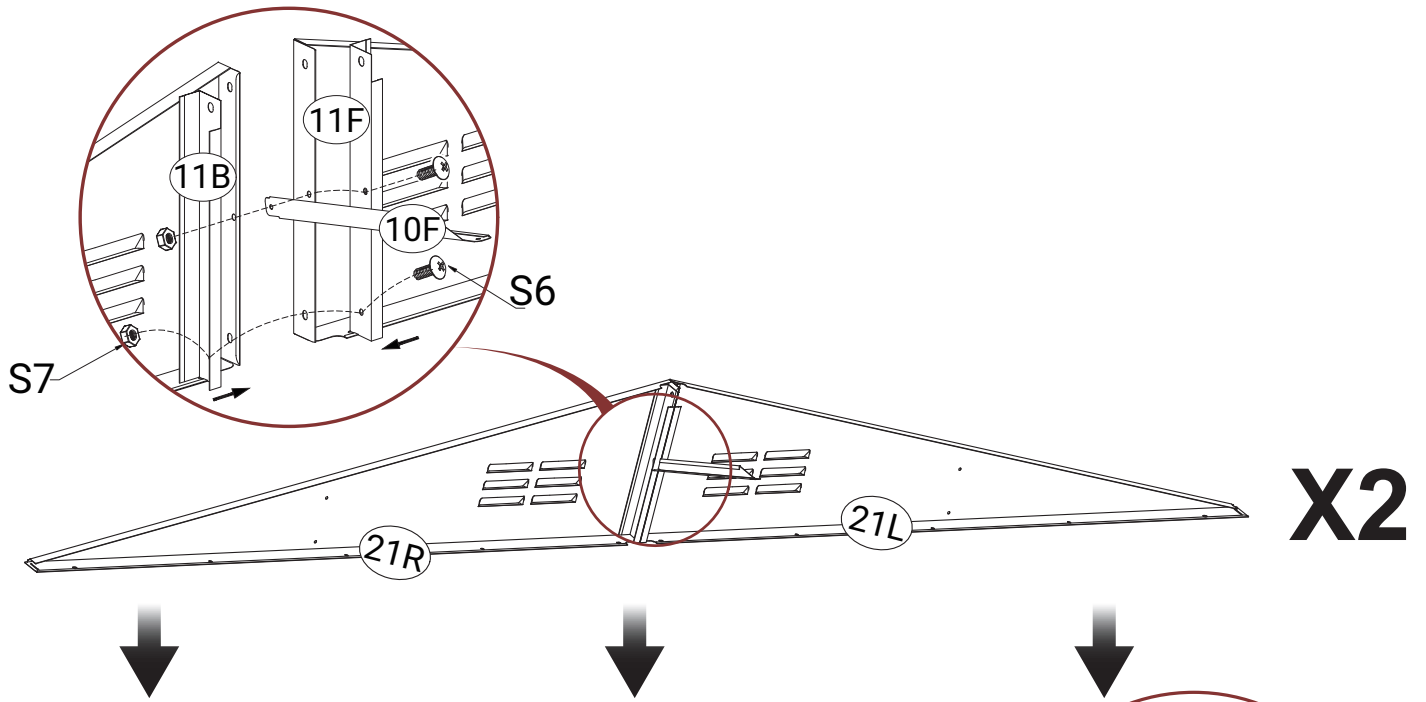





Outside:



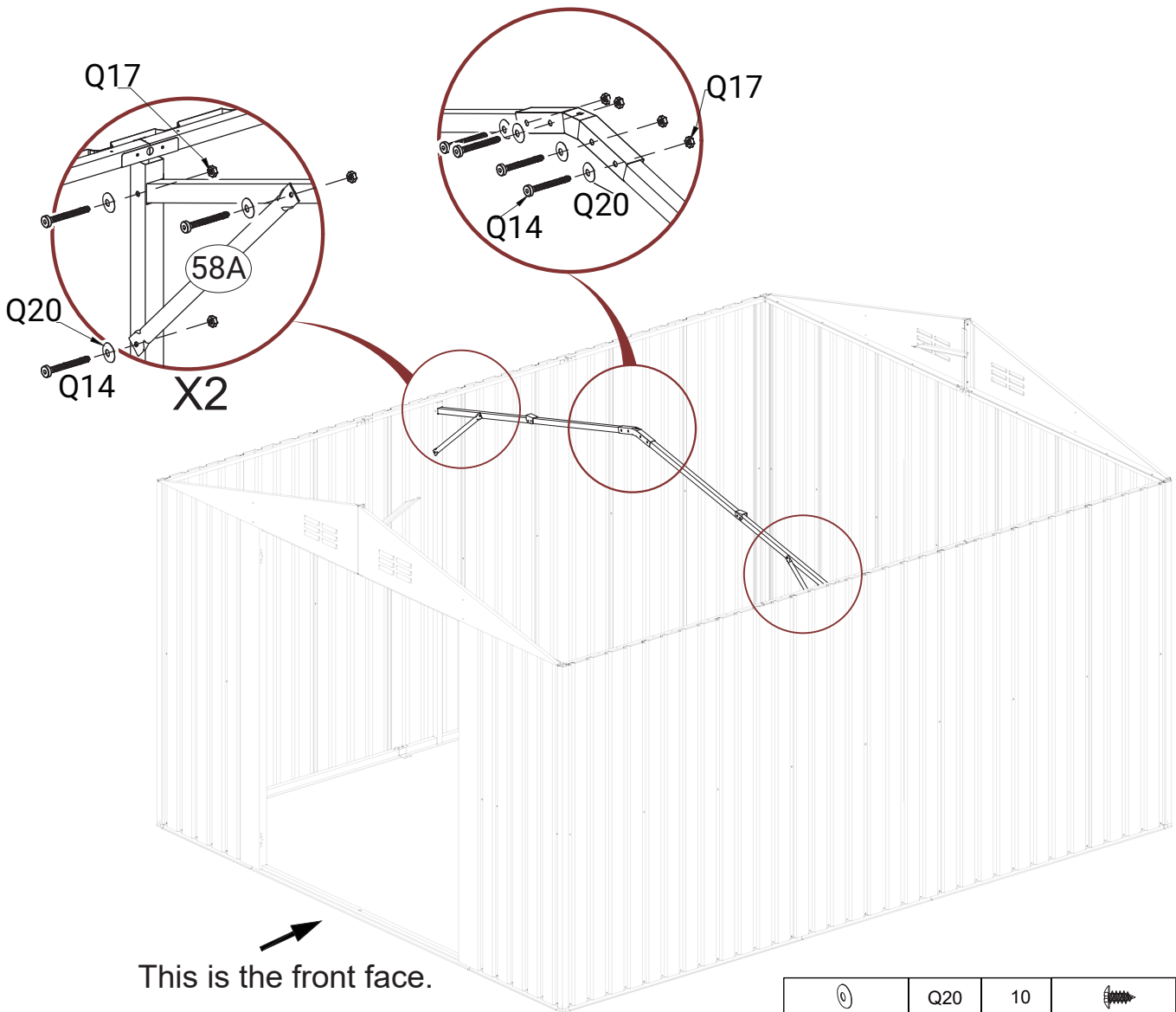
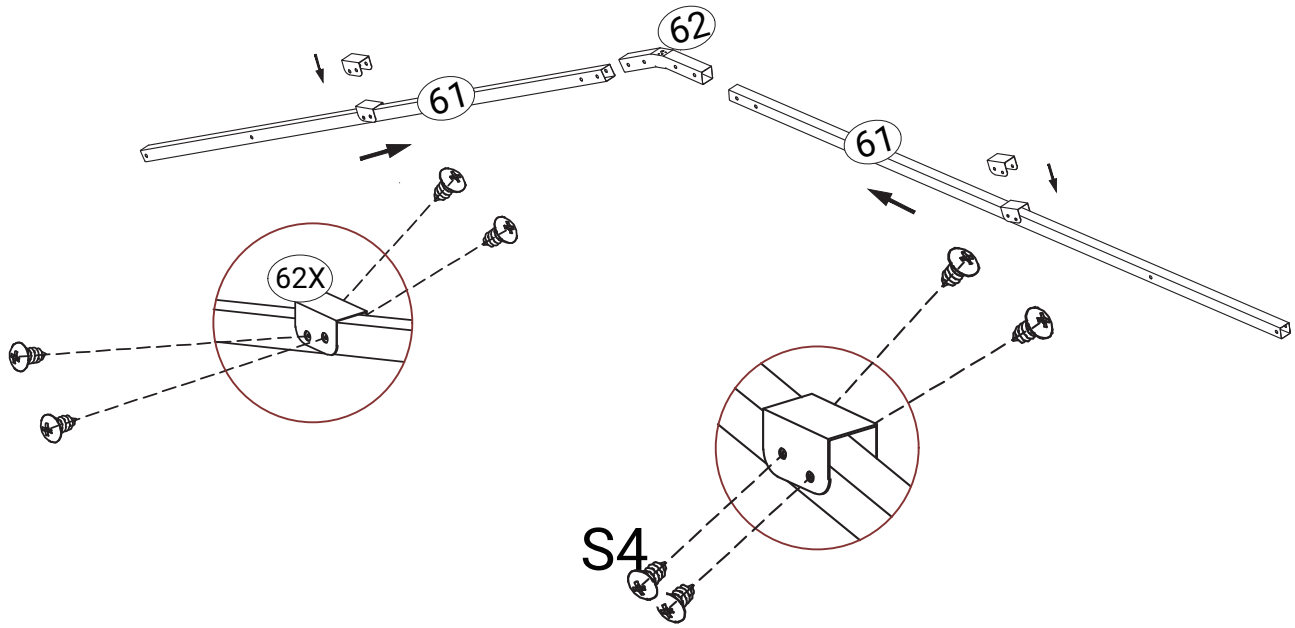
				S4	8
	S7	2		S6	2

# STEP 16



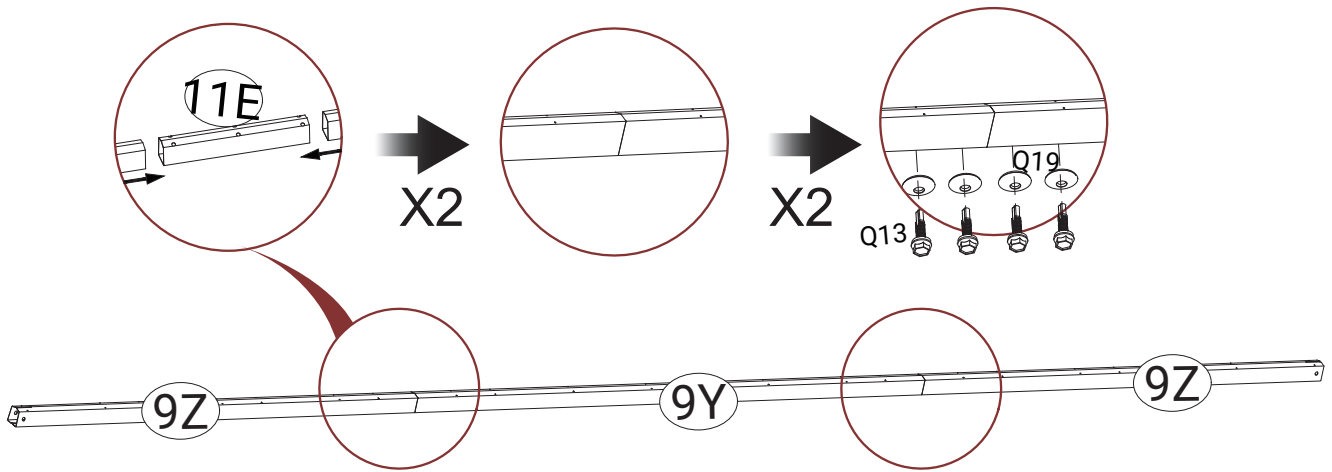
				S4	28
	S7	4		S6	4



# STEP 17



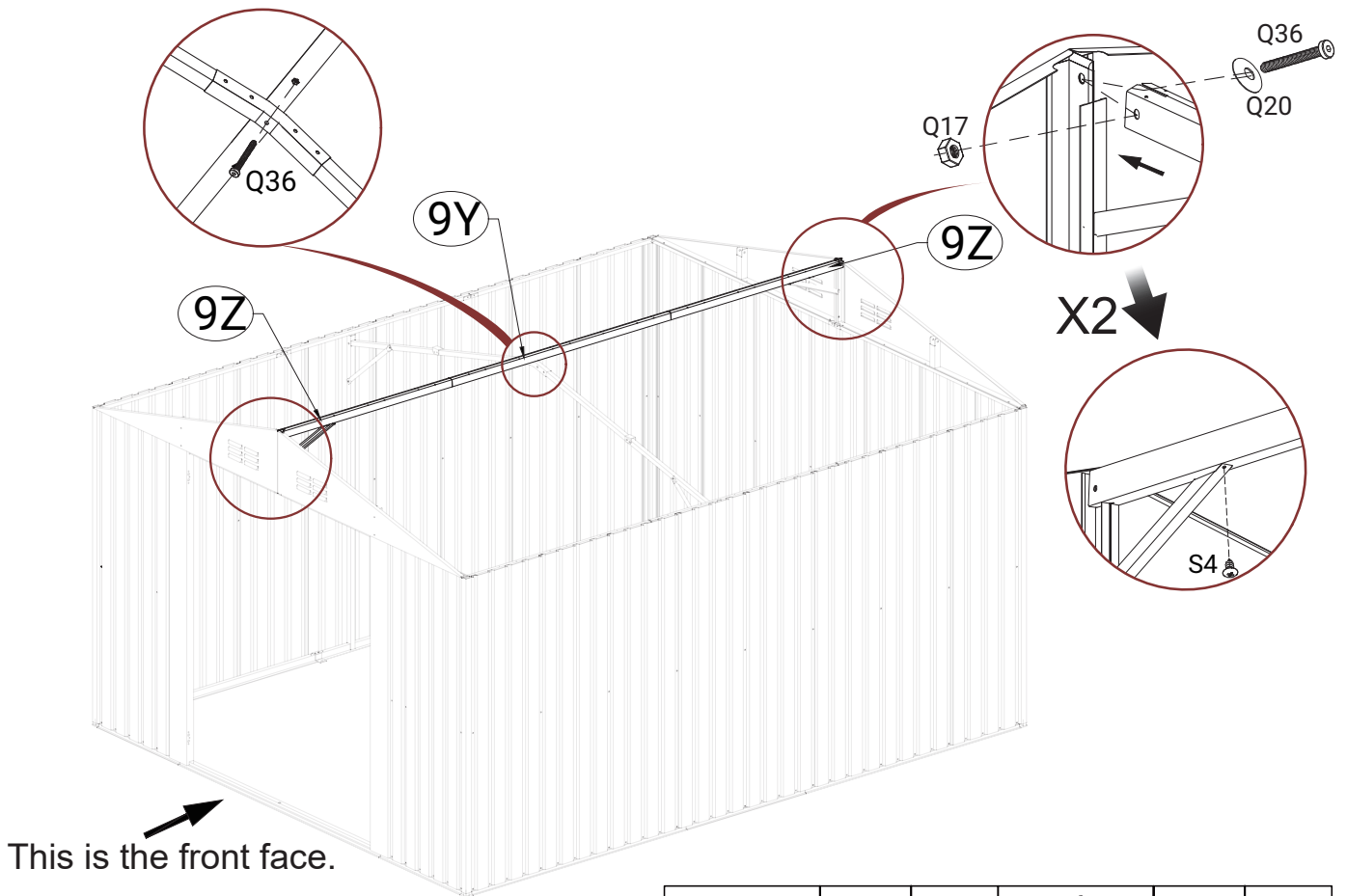
	Q20	10		S4	8
	Q17	10		Q14	10





# STEP 18



	Q13	8
	Q19	8

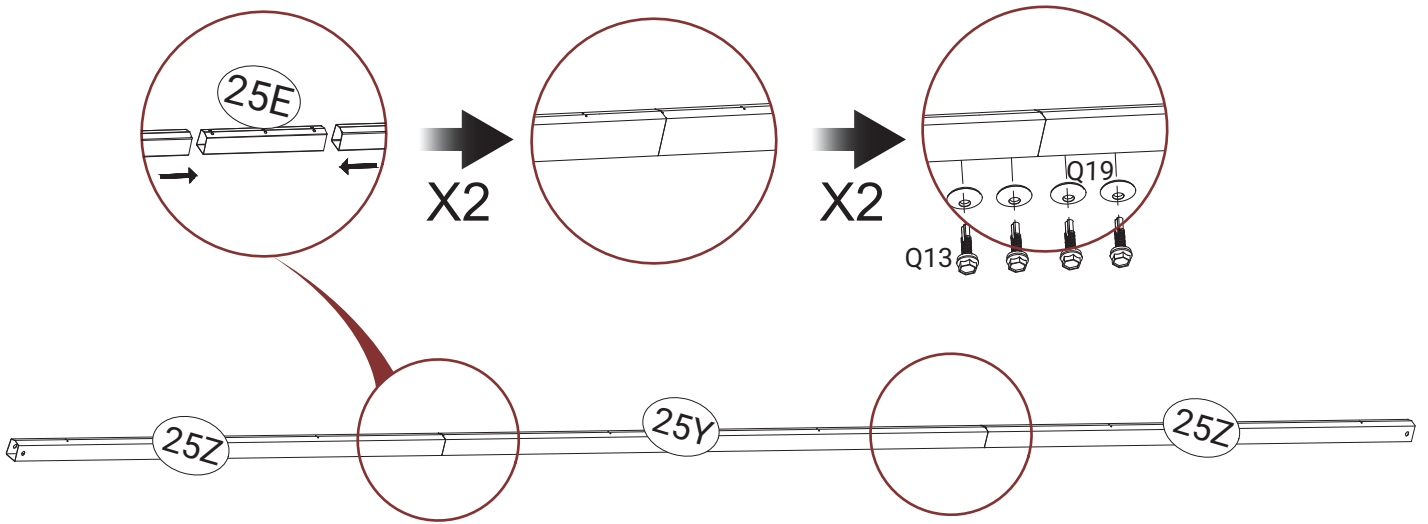
# STEP 19





	Q36	3		Q20	2
	Q17	2		S4	2

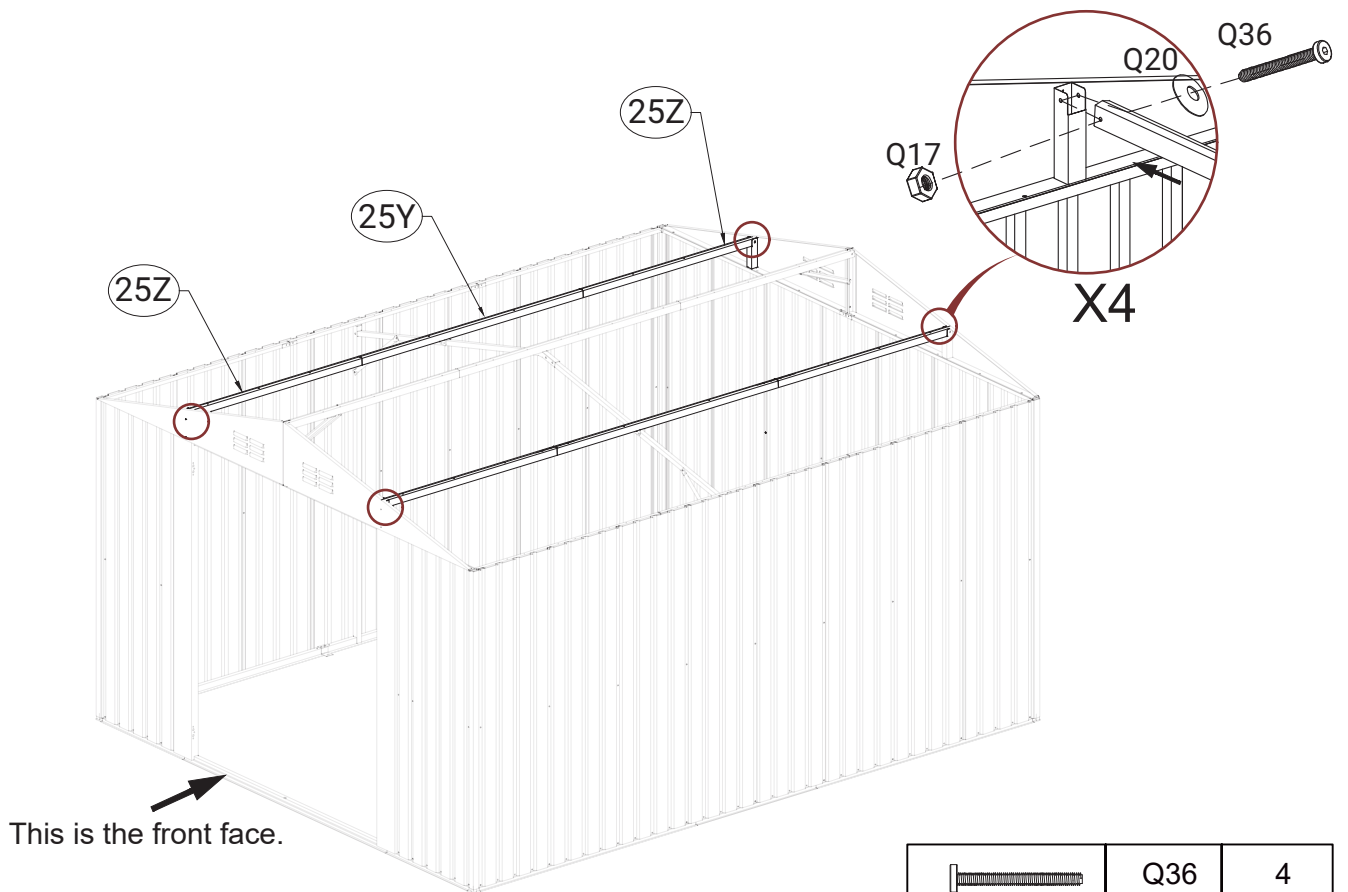
# STEP 20

# X2






	Q13	16
	Q19	16

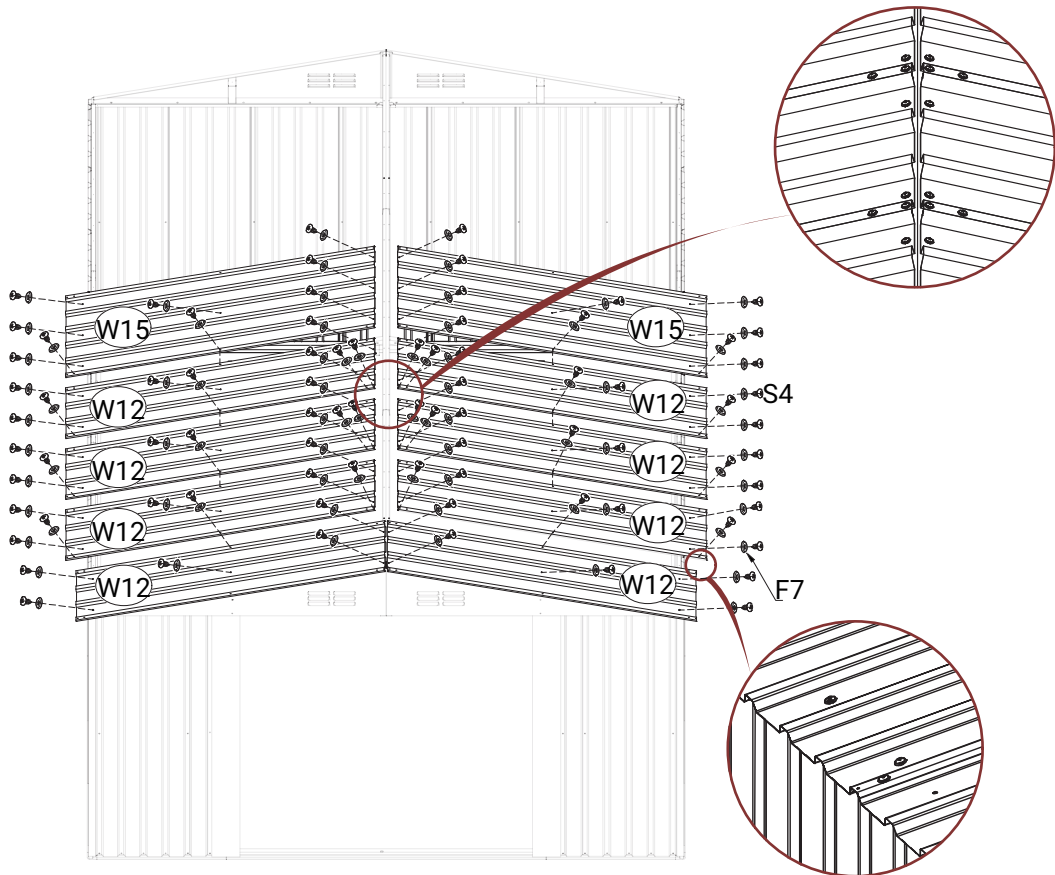
# STEP 21





This is the front face.

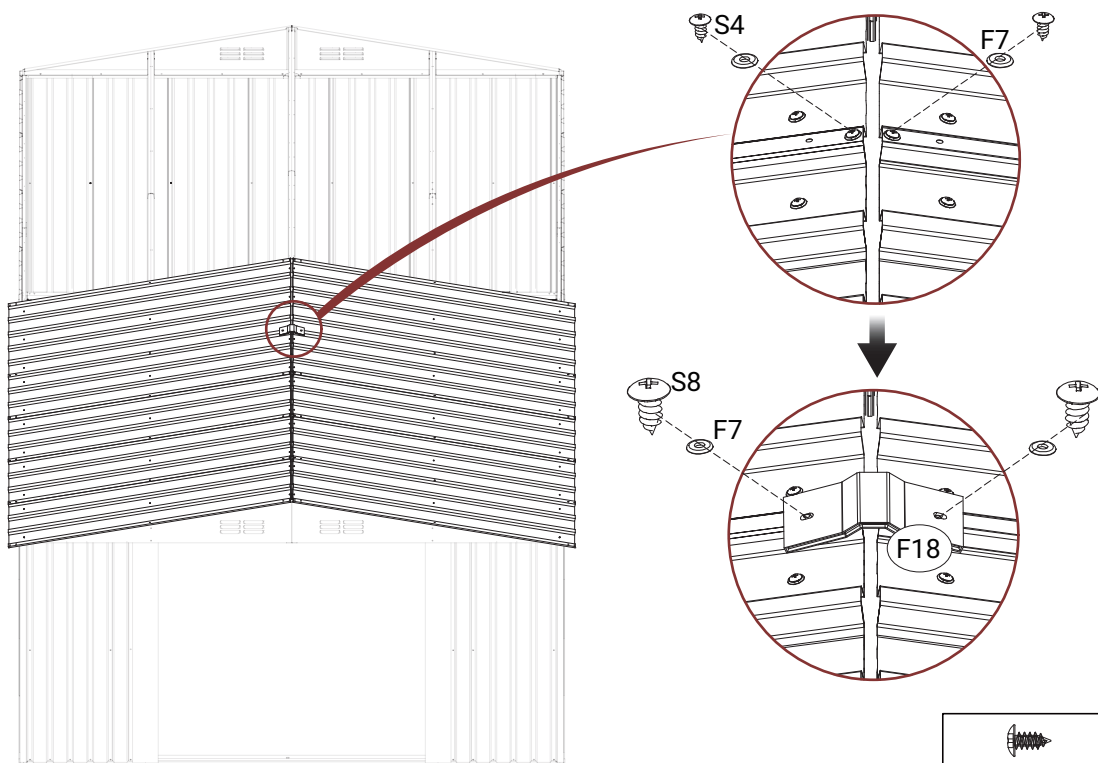
	Q20	4		Q36	4
				Q17	4




# STEP 22



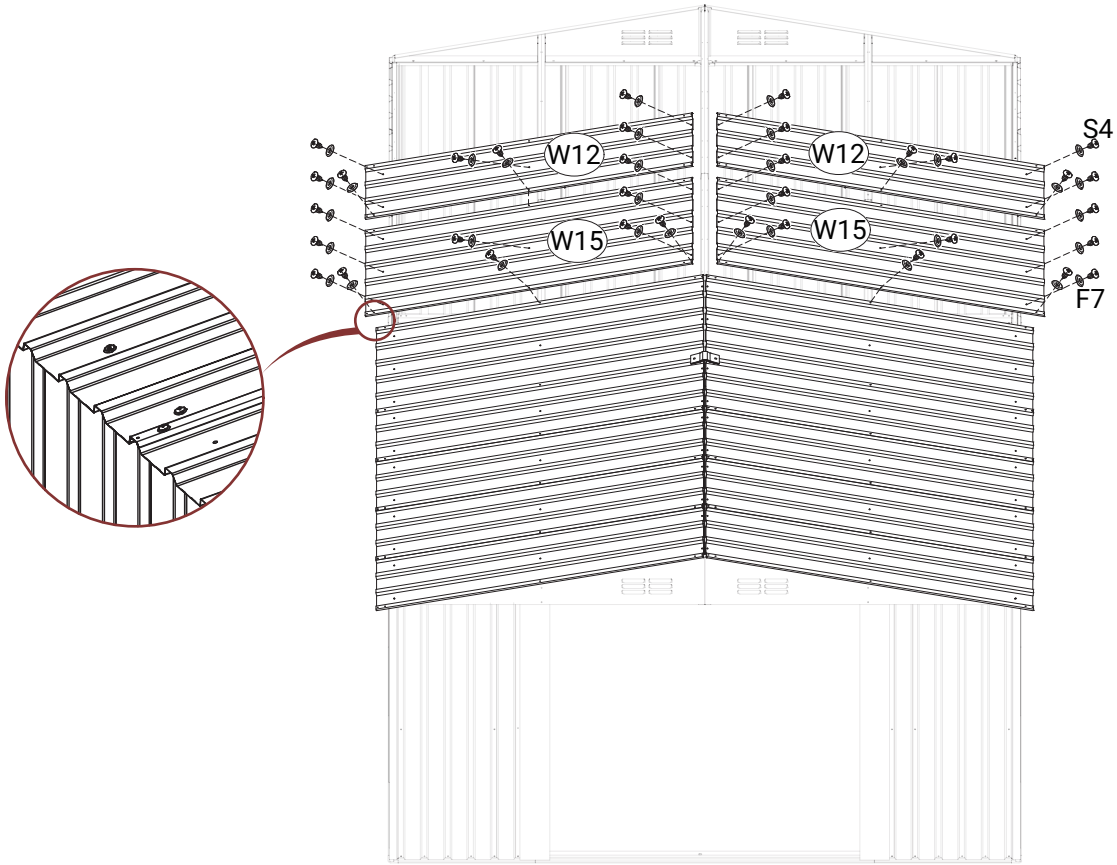
	S4	80
	F7	80



# STEP 23



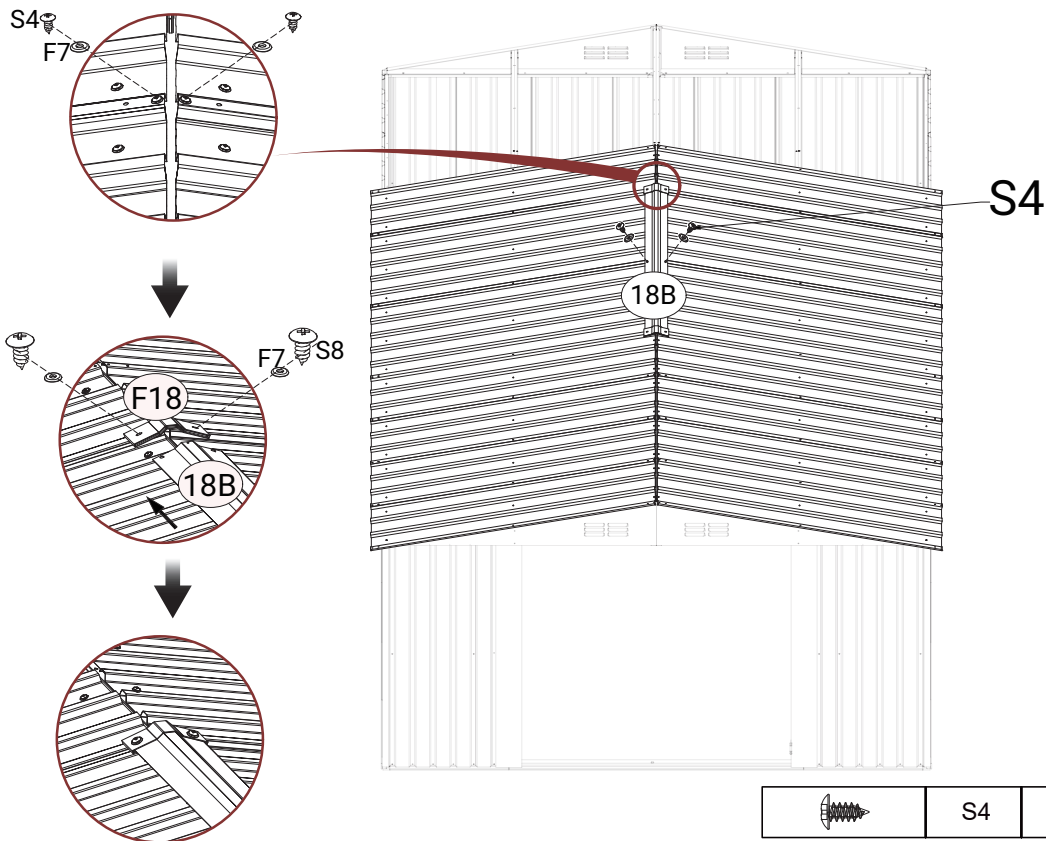
	S8	2
	F7	4
	S4	2




# STEP 24



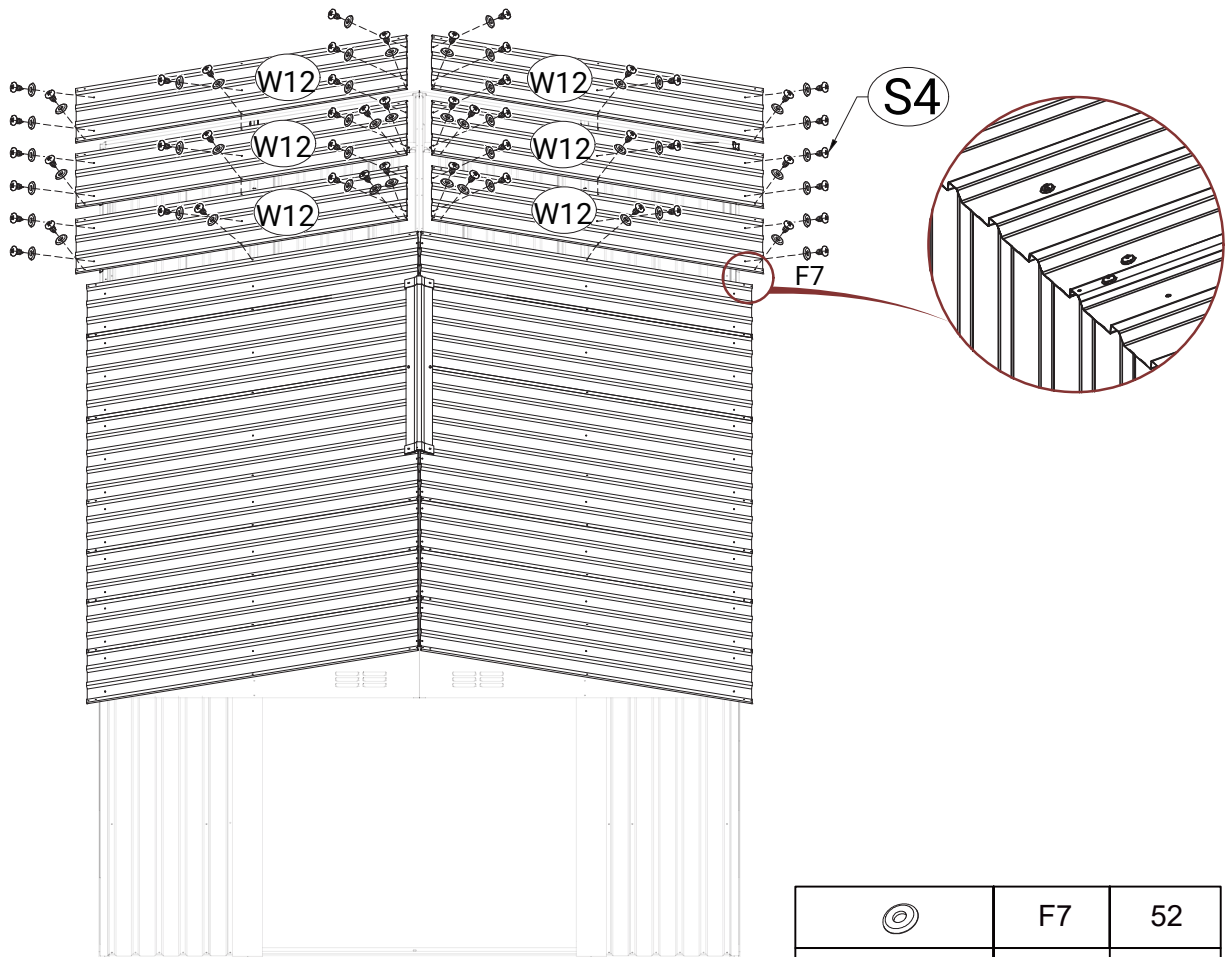
	F7	34
	S4	34

# STEP 25

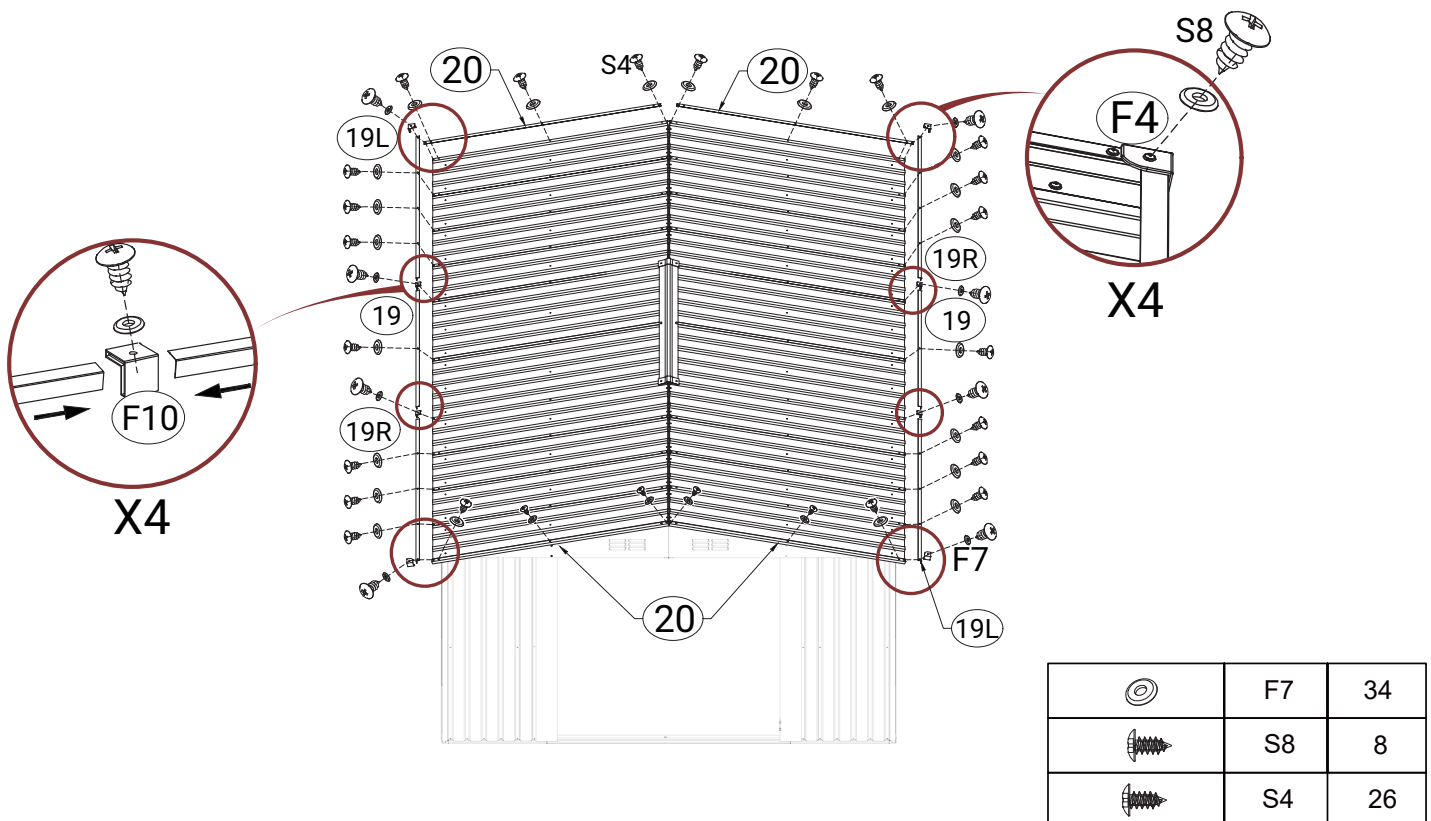


	S8	2
	S4	4
	F7	6

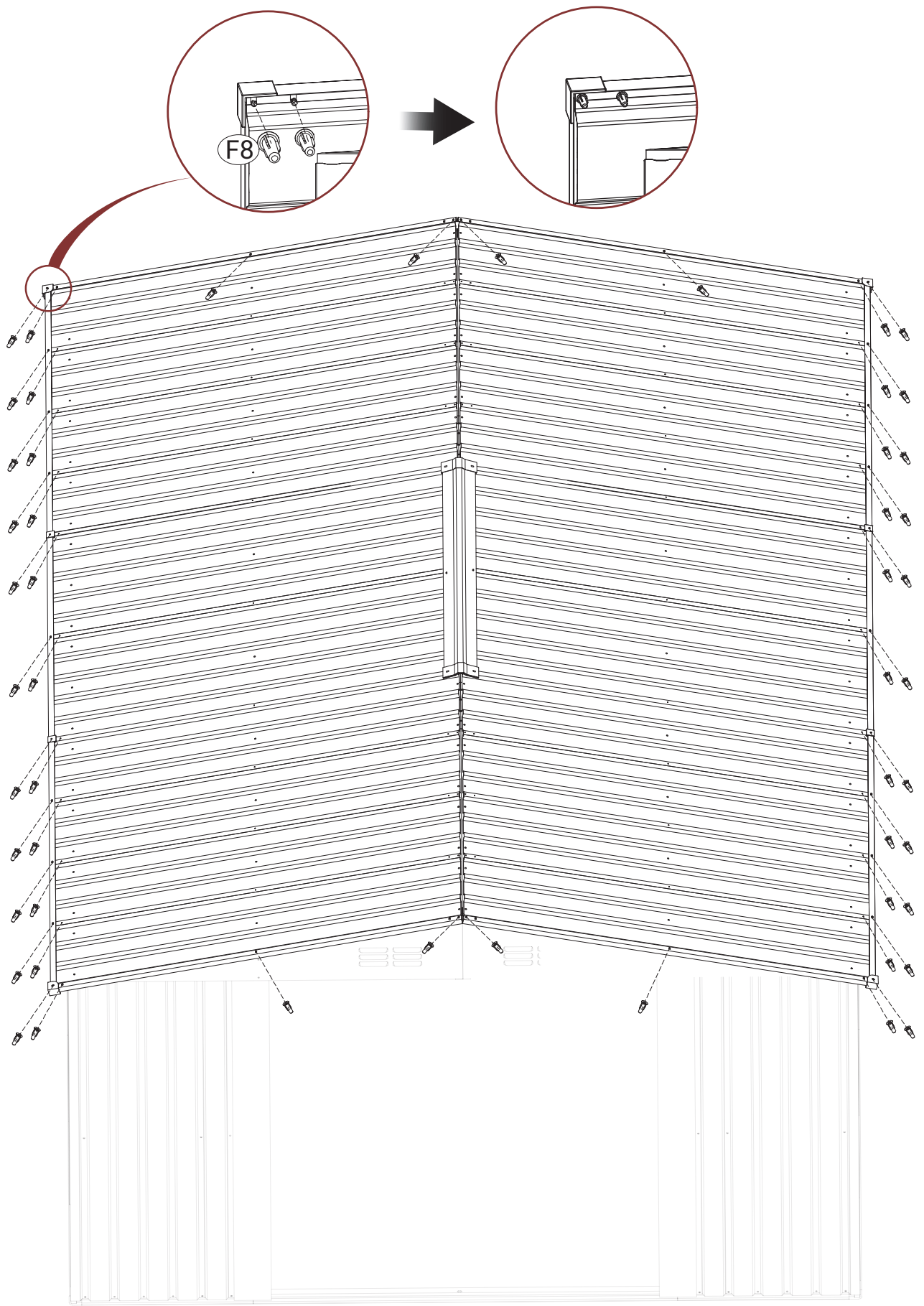
# STEP 26




# STEP 27

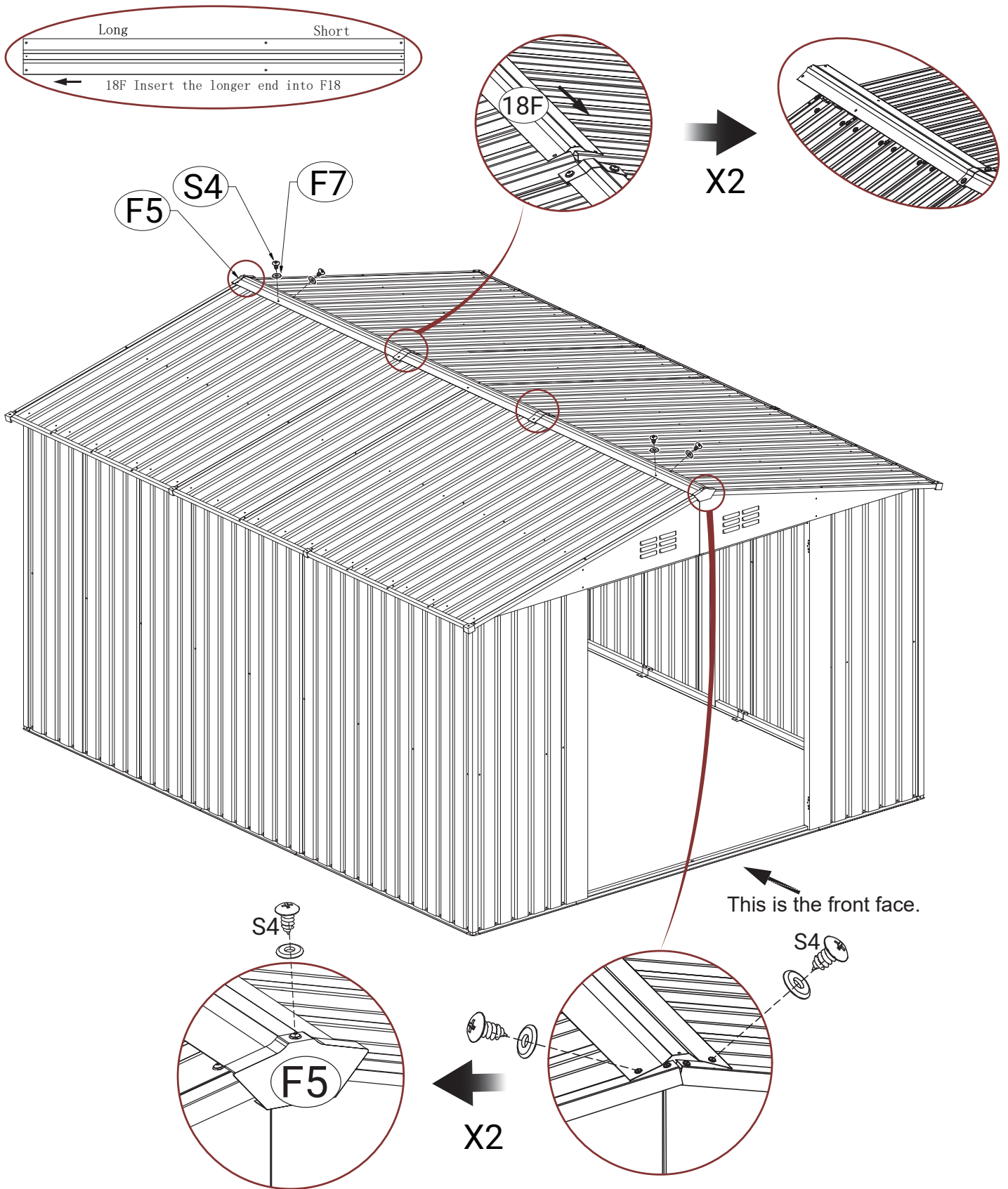




# STEP 28



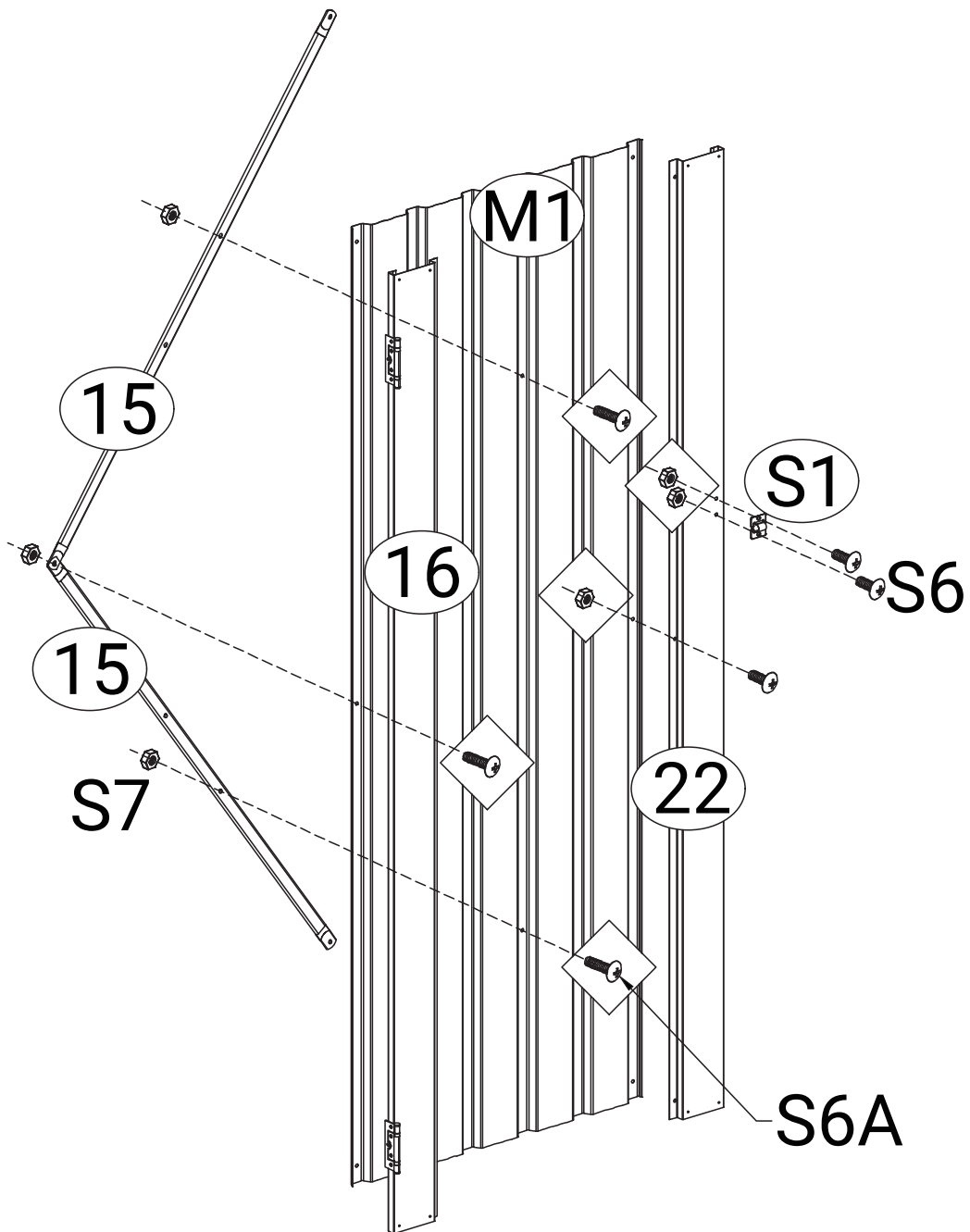
	F8	52
---	----	----

# STEP 29






	S4	10
	F7	10

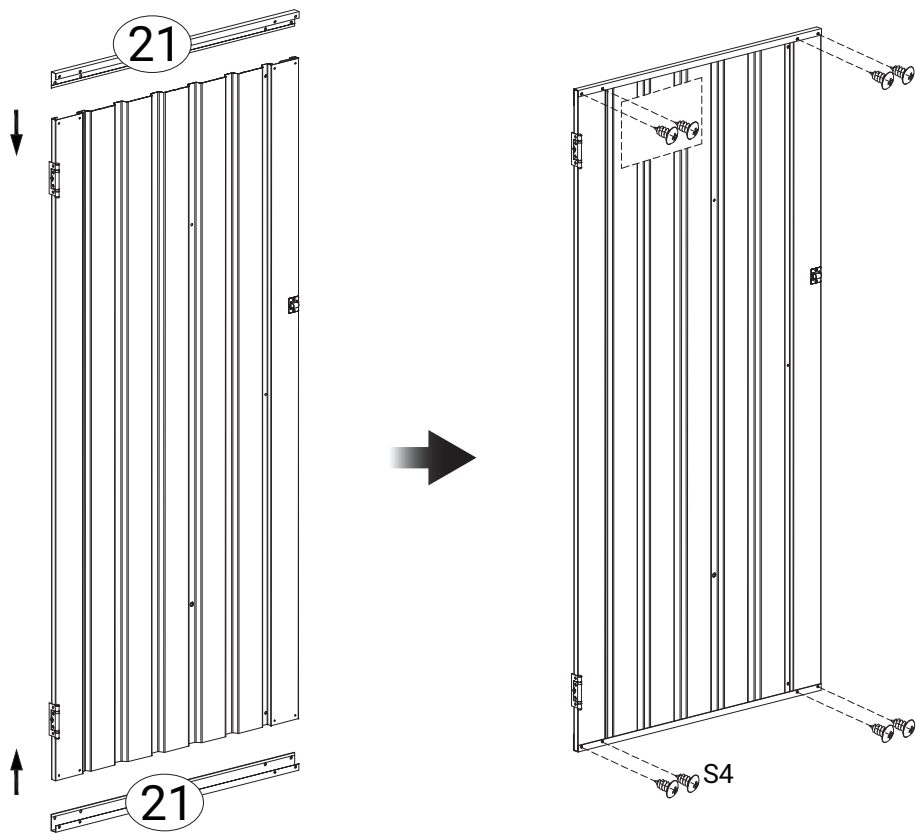
# STEP 30



Put 16 on the side farther from the hole in the center of the tile and 22 on the side nearer.

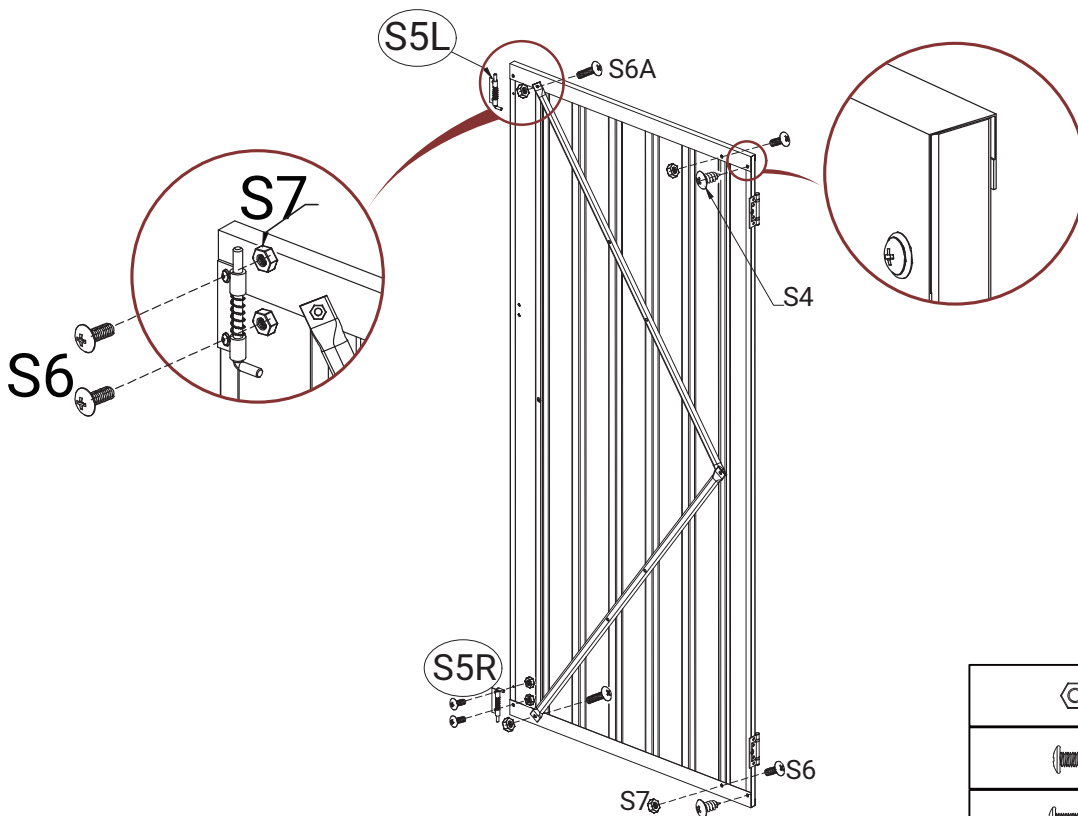
	S6	3
	S6A	3
	S7	6




# STEP 31



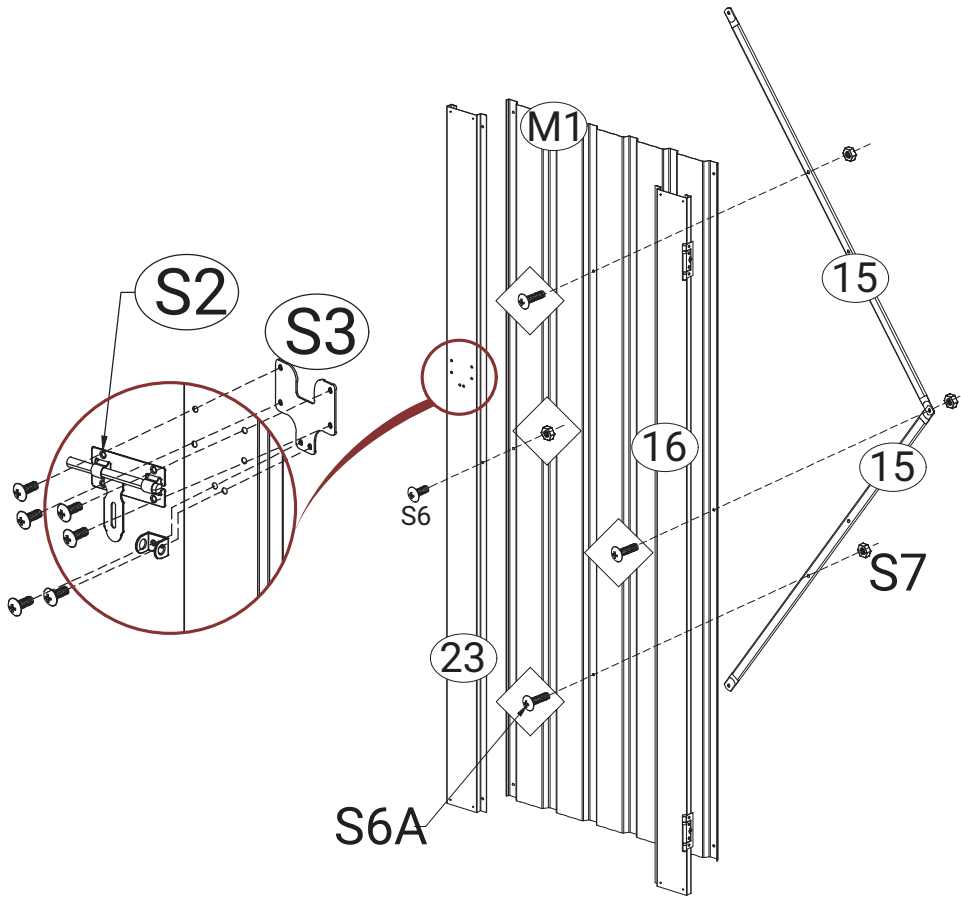
	S4	8
--	----	---




# STEP 32



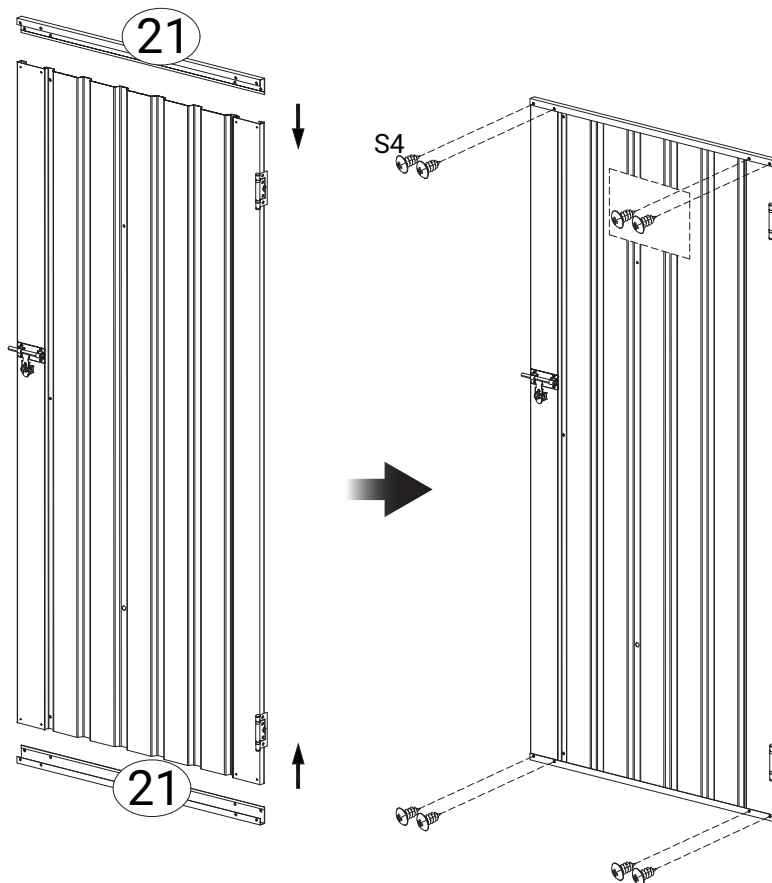
	S7	8
	S6	6
	S6A	2


# STEP 33



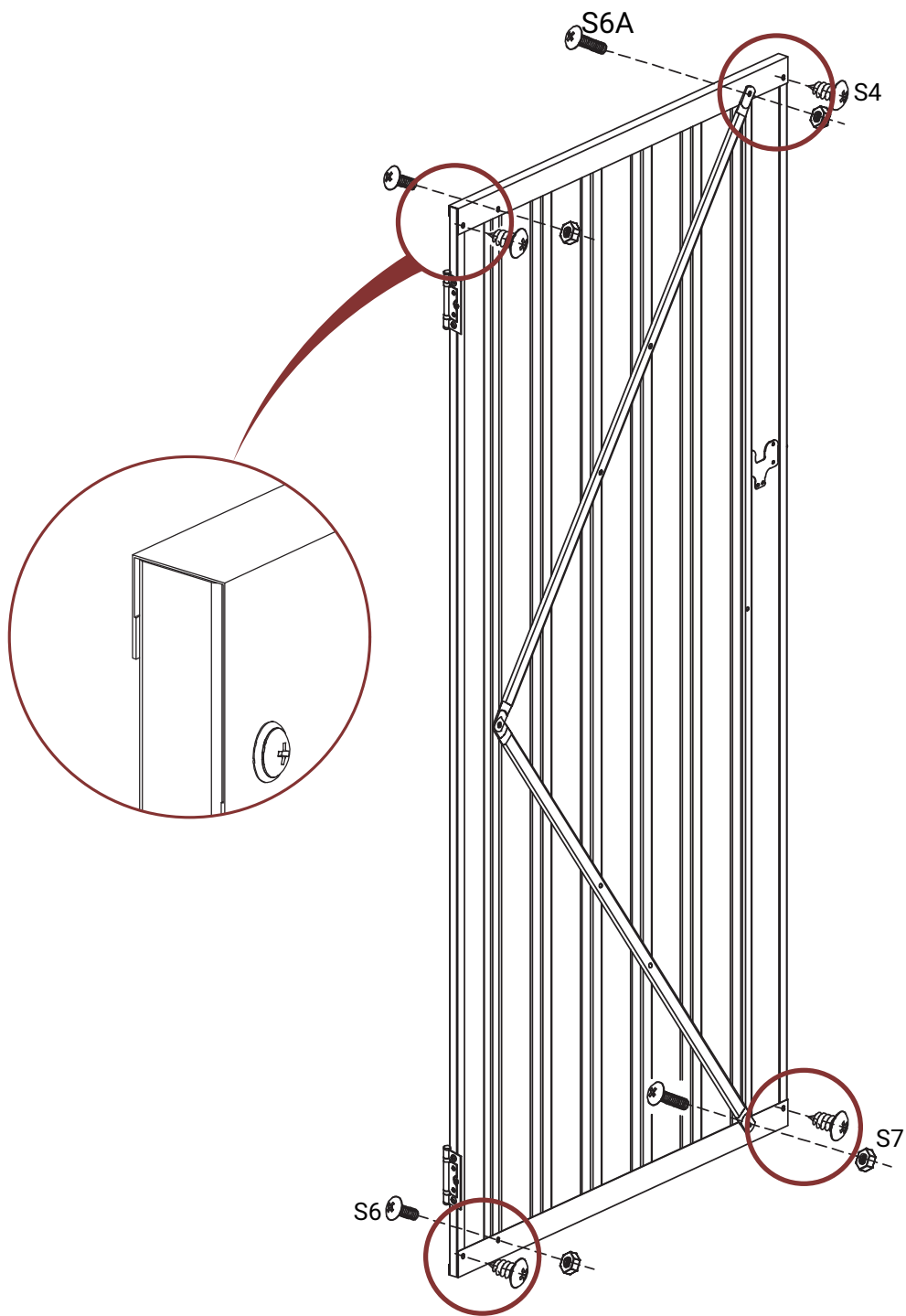
	S7	4
	S6	7
	S6A	3





# STEP 34



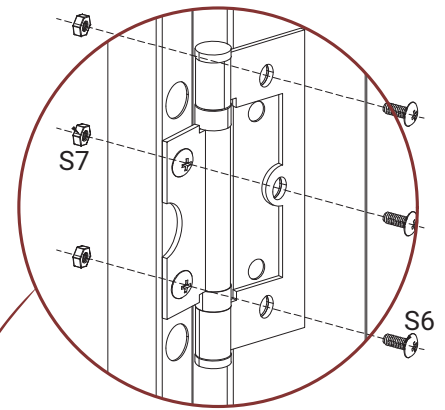
	S4	8
---	----	---

# STEP 35

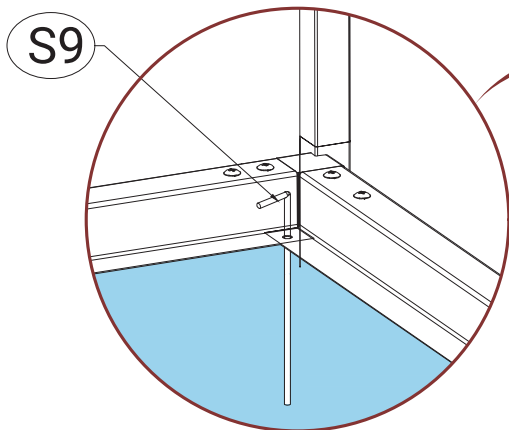
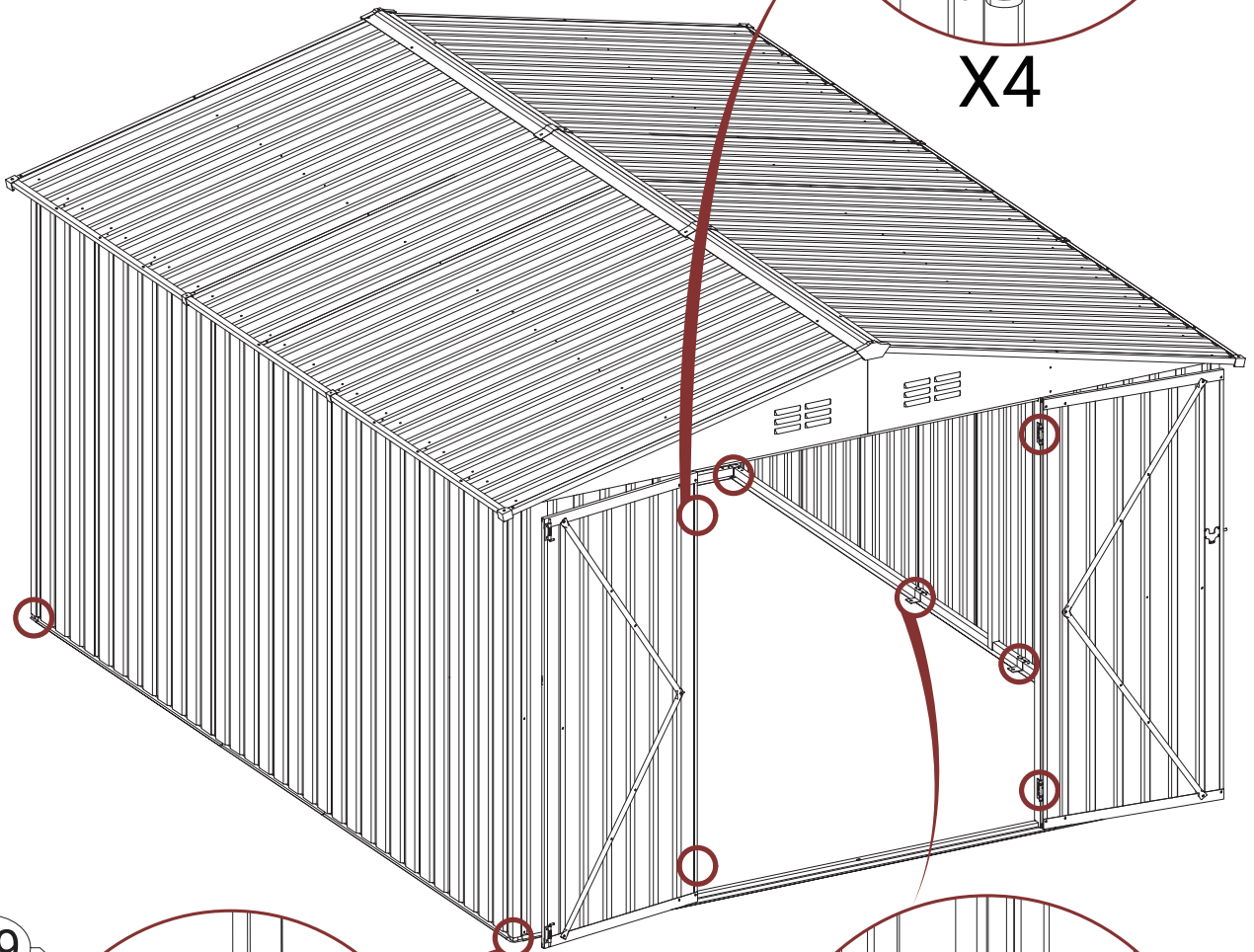


	S4	4
	S7	4
	S6	2
	S6A	2

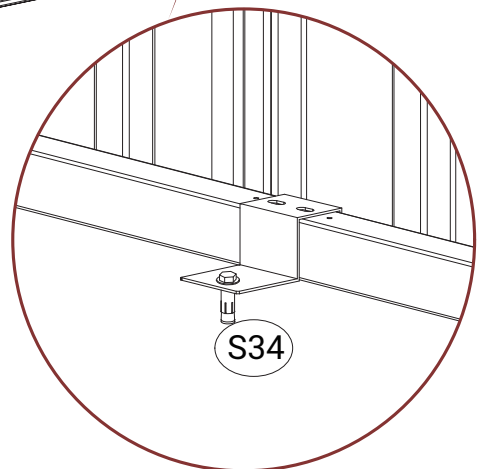
# STEP 36





X4



X4



X7

	S7	12
	S6	12

# **WARNING**

## **ADULT ASSEMBLY REQUIRED**

### **CHOKING HAZARD**

- This product includes small parts, sharp points and sharp edges in its unassembled state.
- Keep unassembled parts away from children under 3 years of age, and animals.

### **SAFETY WARNINGS**

- Follow the information on the warnings appearing on this manual.
- Do not allow children under 3 years of age to use the product.
- Do not use substitute parts. Contact the manufacturer for replacement parts.

### **USE, MAINTENANCE & ASSEMBLY**

- Periodically check and ensure that the components are in their proper position, free from damage, and that all connectors are tight.
- Use on level surfaces only. Assemble on a soft level surface to avoid damage to unit or floor.
- Do not use this item if any components are missing or damaged.
- Only clean using damp cloth and mild detergent, do not use bleach or abrasive cleaners.

## CARE & SAFETY

- Unsuitable for storage of flammable or corrosive substances.
- It is of utmost importance to assemble all of the parts according to the directions. Do not skip any step.
- Please consult your local authorities if any permits are required to erect shed.
- Periodically check shed to assure that it remains stable and that the site remains level.
- It is highly recommended to secure the shed to an immovable object or to the ground by drilling holes in the floor at the pre-marked locations and inserting proper screws into the ground (screws are not included).
- Wear safety-goggles and always follow the manufacturer's instructions when using power tools.
- Wash shed with garden hose or a mild detergent solution. Using a stiff brush or abrasive cleaner could damage shed.
- Hot items such as recently used grills, blowtorches, etc. Must not be stored in the shed.
- Heavy articles should not be leaned against the walls, as this may cause distortion.
- Keep roof clean of snow and leaves. Heavy amounts of snow on roof can damage the shed making it unsafe to enter.
- Although wind direction varies, it is an important factor when taking into account where to place your shed. Therefore, it is recommended to reduce wind exposure of the shed in general, and the door side in particular.
- Keep doors closed and locked to prevent wind damage.
- Do not stand on the roof.

## RETURN REQUEST

***In order to get a full refund as described in this return policy, all items must be:***

- (1) In a brandnew/unused condition, please provide photos before and after packaging.
  - (2) When returning, all accessories and parts are firmly packed in all original packaging.
- If your return does not meet the requirements, you may not get a full refund.

***When will I be refunded?***

The refund is released once the goods have been returned to our warehouse.

***What if the product is damaged/defective outside of the valid return period?***

We want you to be a happy customer. Please reach out to us by email and we will come up with a solution to make sure you are satisfied.

