



# DOORS 22

SLIDING DOORS & OFFICE PARTITIONS

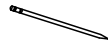
## Tools needed to complete the installation

1



Metal Chop Saw

6



Pencil

2



Gloves & Glasses

7



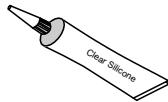
Tape Measure

3



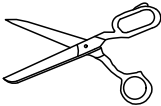
Broom

8



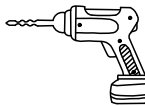
Clear Silicone

4



Scissors

9



Screw Driver

5



Ladder

10



(1.5") Self Tapping Screw

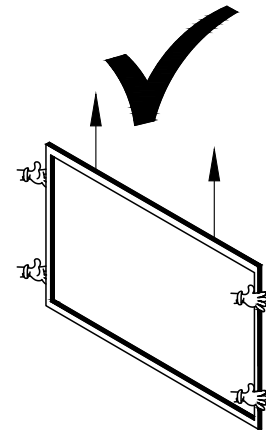
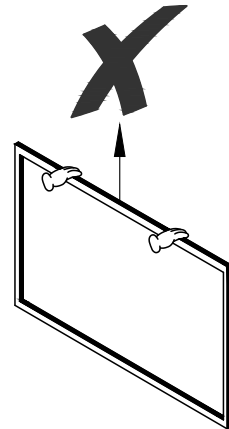


Fig.01

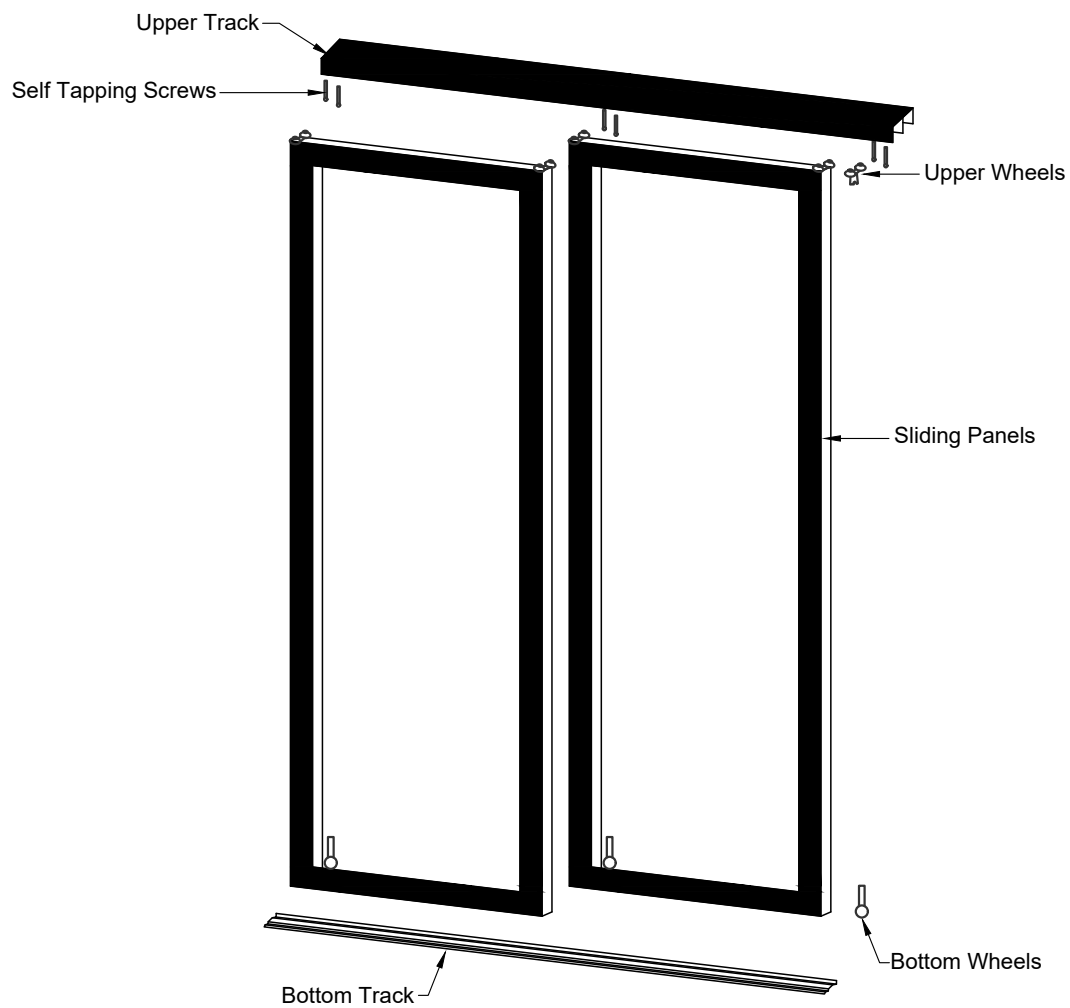


Please read the installation instructions before getting started:

1. Fig 1: Take the panel out of their protective cardboard box by grabbing them from the short side of the frames. **DO NOT PULL THE PANEL FROM THE LONG SIDE** as this action could cause damage.
2. Tracks will be shipped 1 to 2" longer than the actual opening and will need to be cut to size on the jobsite.
3. Make sure all parts and pieces are present before you begin the installation process

# DOORS 22

SLIDING DOORS & OFFICE PARTITIONS



# DOORS 22

SLIDING DOORS & OFFICE PARTITIONS

## Installing the Upper Track:

4. Measure the width on the top of the opening where the track should be installed and cut it precisely to the dimension.
5. Fig 2: Use a chop saw. A manual saw that cuts aluminum would also do the job.
6. Fig 3 & Fig 4: Place the track flush with the front side of the header and use self-tapping screws to secure the track to the header.

Fig. 2

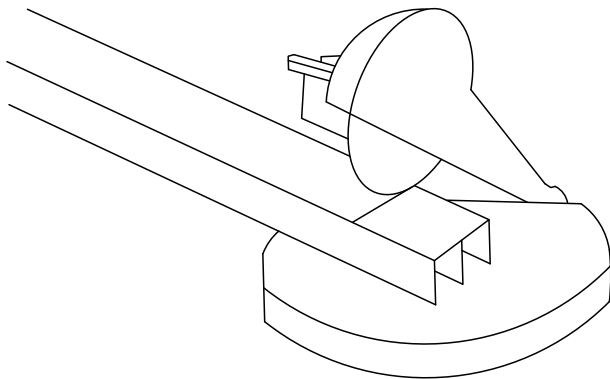


Fig. 4

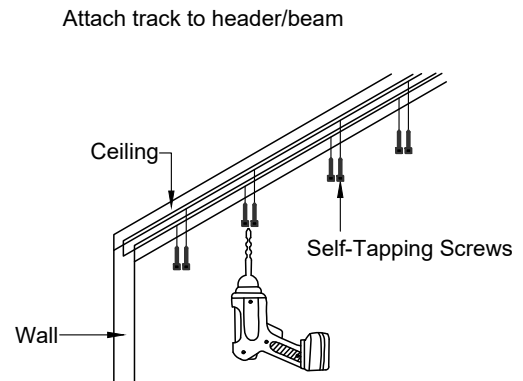
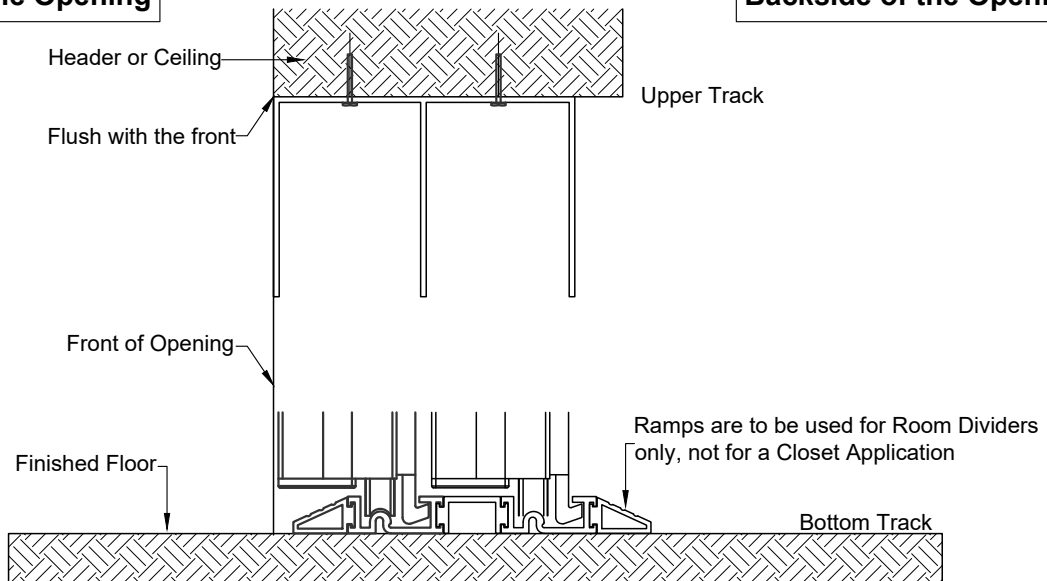


Fig. 3

**Front of the Opening**

**Backside of the Opening**



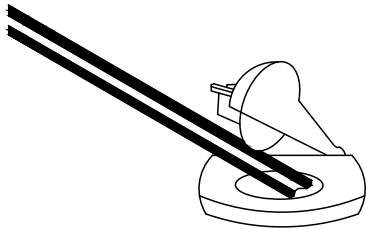
# DOORS 22

## SLIDING DOORS & OFFICE PARTITIONS

### Installing the Bottom Track:

7. Remove or cut the baseboard on both side of the opening and measure from wall to wall for an exact dimension. Cut the bottom track to that dimension.
8. Fig 5: Cut the bottom track.
9. It is particularly important to clean the floor with a broom or a vacuum cleaner before installing the bottom track. No aluminum dust or particles should remain on the floor.
10. Fig 6: Slide the ramps on either side of the track **ONLY** in case you are installing a room divider.
11. Fig 7: Apply clear silicone on the back side of the bottom track and place the glue side down, on top of the floor, whereas the back side of the bottom track is flush with the back side of the top track (not accounting the ramp).

Fig. 5



Cut Bottom Track to proper length

Fig. 7

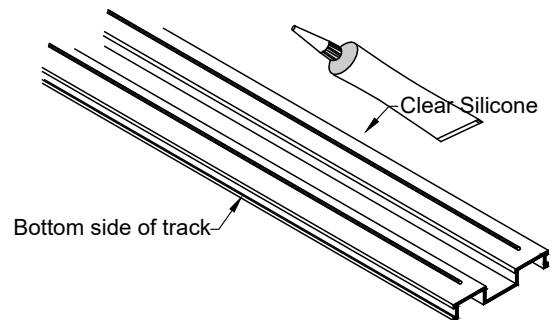
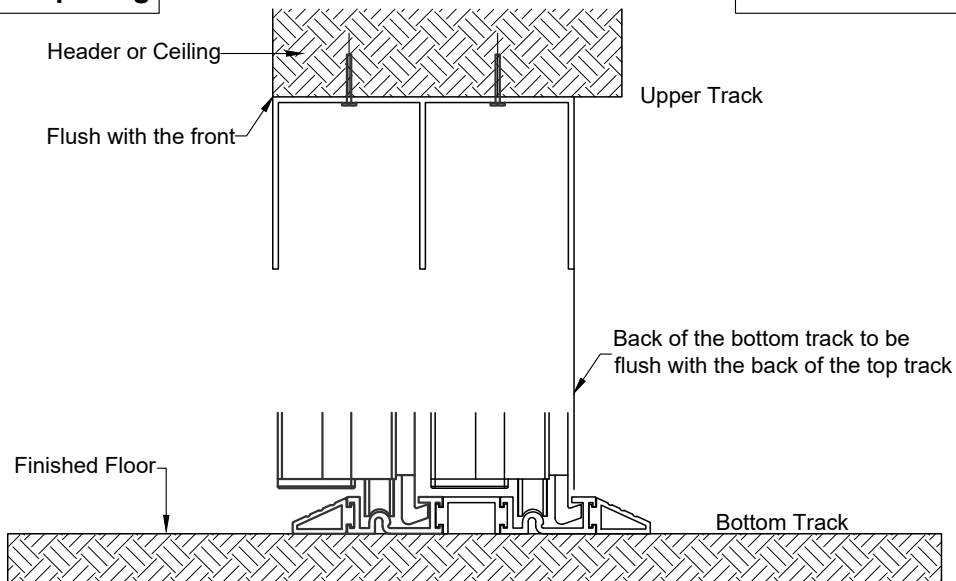


Fig. 6

**Front of the Opening**

**Backside of the Opening**



# DOORS 22

SLIDING DOORS & OFFICE PARTITIONS

## Installing the Panels:

12. Fig 8: Affix the top plastic wheel holder with small screws to the horizontal frame where pilot holes are already pre-drilled. These small screws came in the box with the wheels.
13. Fig 9: Angle each panel one by one and insert them first inside the top track, then let them gently rest on the bottom track. Insert the first panel inside the far back track first.
14. Fig 10: Place the bottom wheel on top of the bottom track and place the hook under the lip.
15. Gently raise one side of the panel and secure the wheel to the panel using the screws coming with the wheels. Do not tighten them to hard just yet.

Fig. 8

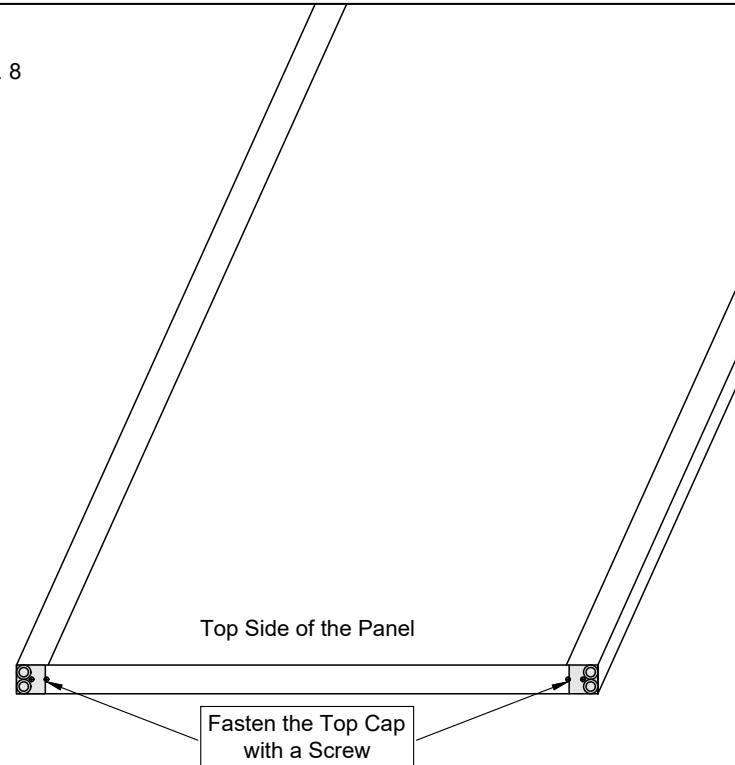


Fig. 9

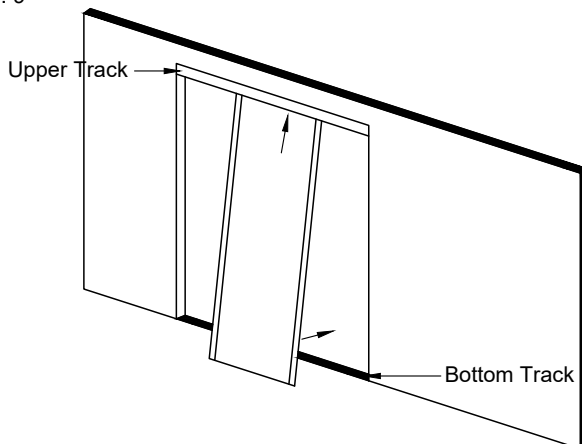
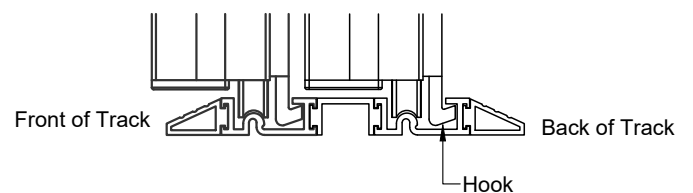


Fig. 10

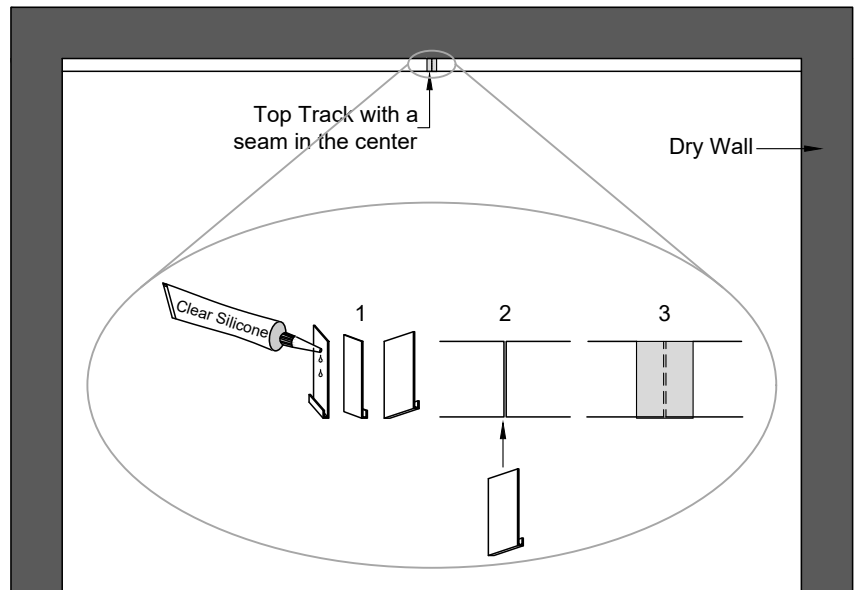
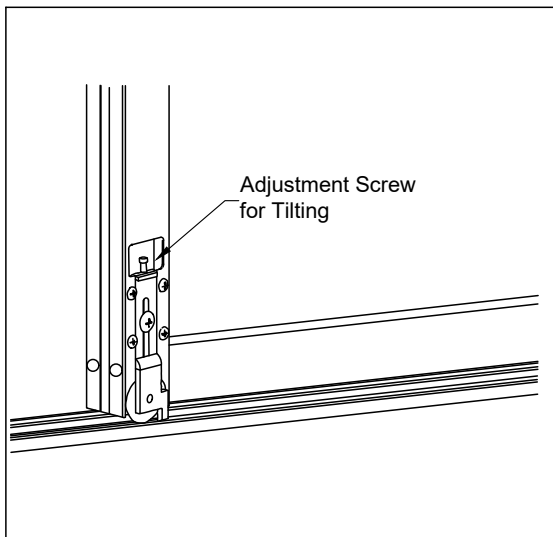


# DOORS 22

SLIDING DOORS & OFFICE PARTITIONS

## Adjusting and aligning the Doors:

16. You can slightly tilt each panel left or right by loosening or tightening the black screw located above the bottom wheel mechanism.
17. Tighten the screws holding the bottom wheels to the panel once all adjustments have been made.
18. Slide the bottom track forward or backward whereas the front panel is perfectly flush with the edge of the wall. Make sure it is the same on both sides of the opening.
19. Wipe off the excess silicone of the floor with a cloth.
20. Snap the plastic wheel covers to cover the bottom wheels.
21. Place 2 small drops of silicone on the sleeve and place it on the visible side of the top track, concealing the seam.
22. Leave the doors in a closed position for 12h till the silicone is dry and the bottom track is perfectly adhered to the floor all along the opening.
23. Please call us for a solution if your doors slide by themselves.



Doors22 appreciates your business, thank you.