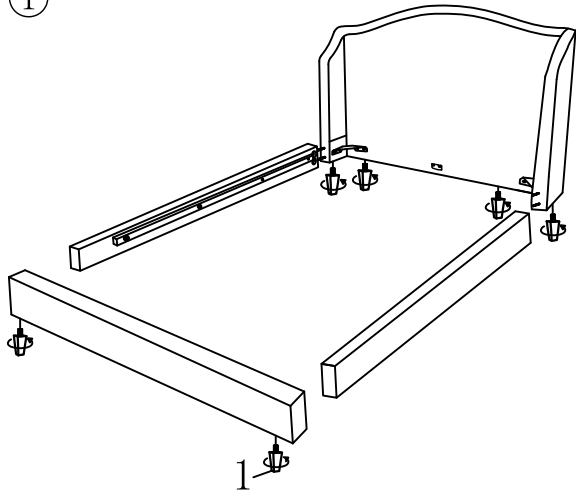
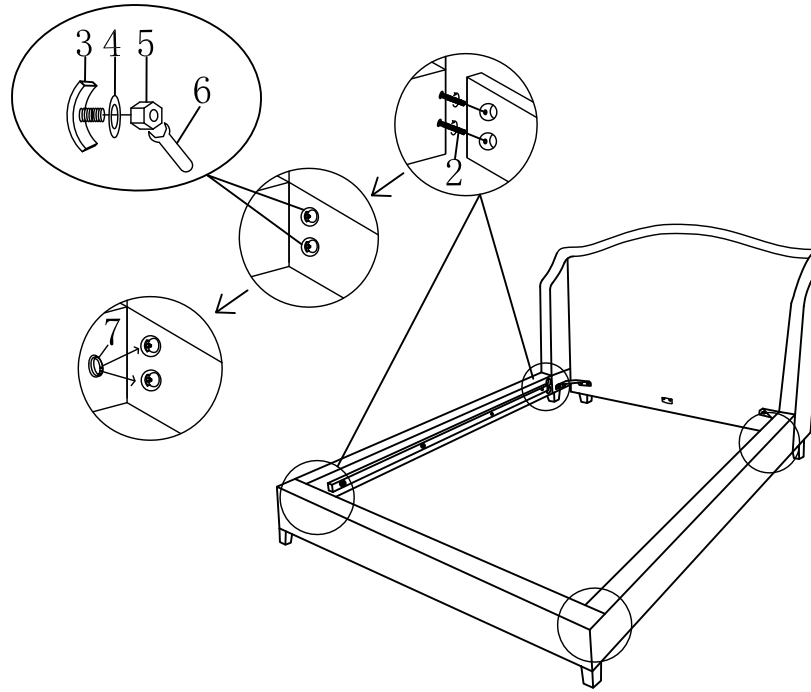


①

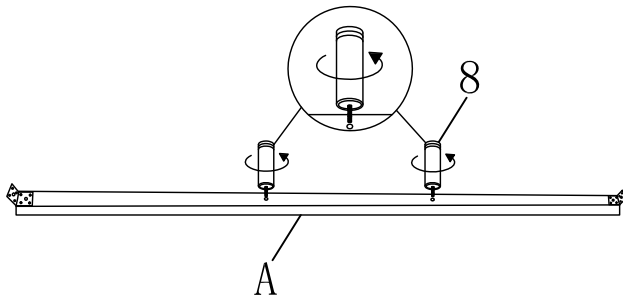


②

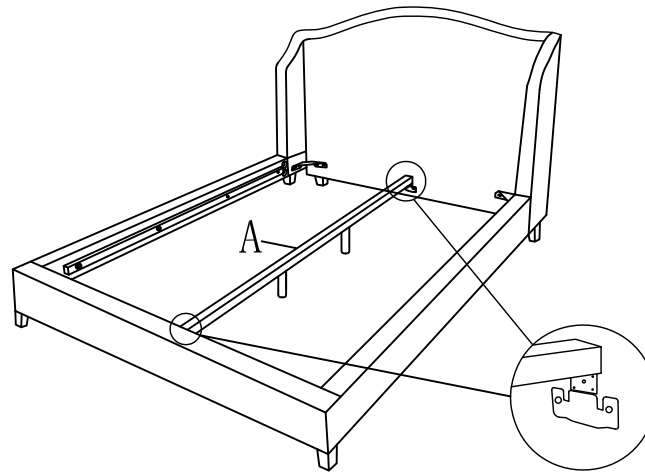


1		6pcs	foot
2		8pcs	M8*100MM
3		8pcs	
4		8pcs	M8
5		8pcs	M8
6		1pc	
7		8pcs	
8		2pcs	foot

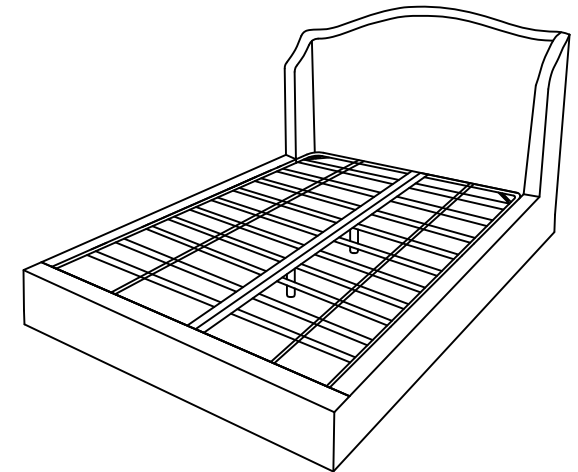
③



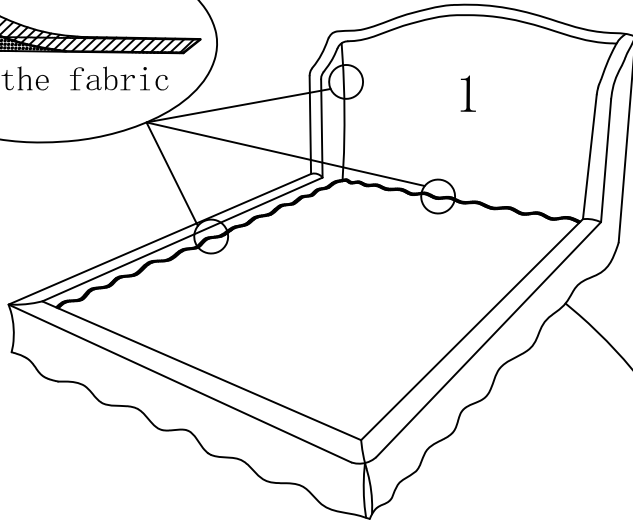
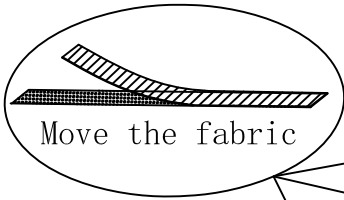
④



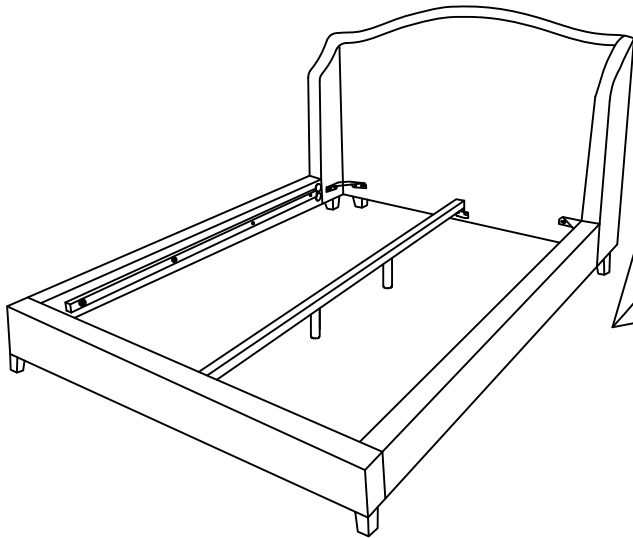
⑤



①



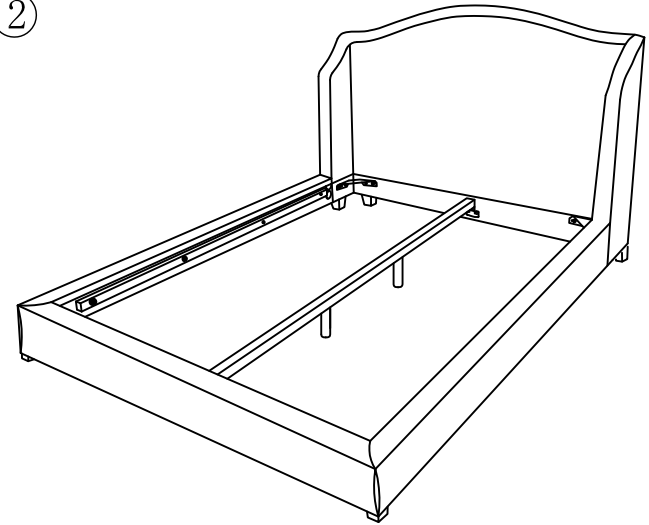
Line up cover corner
seam to frame corner



frame w/o cover

1		1pc	frame cover
2		1pc	

②



Suggest leaving 0.5" clearance
from cover to floor

③

