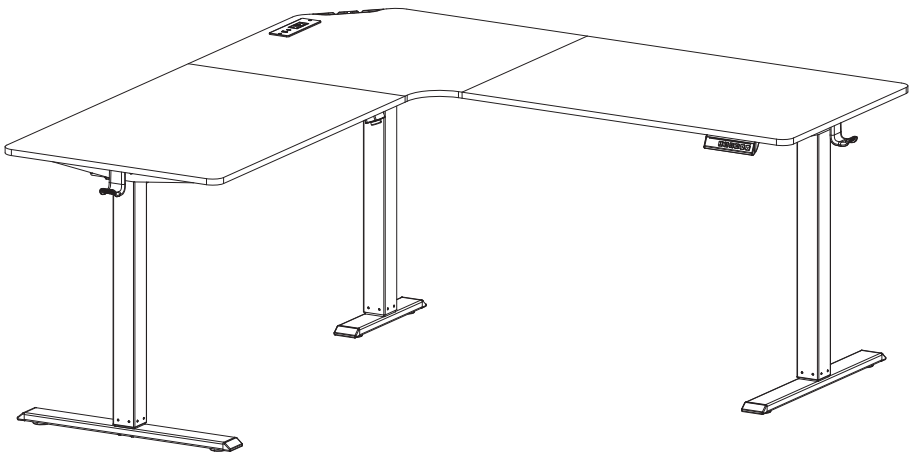


# Electric Standing Desk





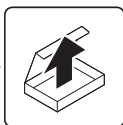
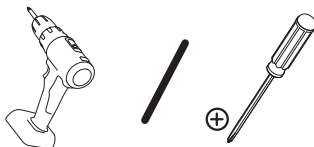
Height Adjustment Range  
27.5–46.4" (70–118cm)



Power Input  
100V–240V



Max. Speed  
20mm/s



M6 × 30mm

**A** x12



M6 × 10mm

**B** x20



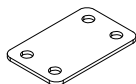
5/32" (4mm)

**C** x1



ST5 × 14mm

**D** x43



**E** x4



ST3.9 × 13mm

**F** x5



**G** x6



**H** x4



**I** x1



**K** x4



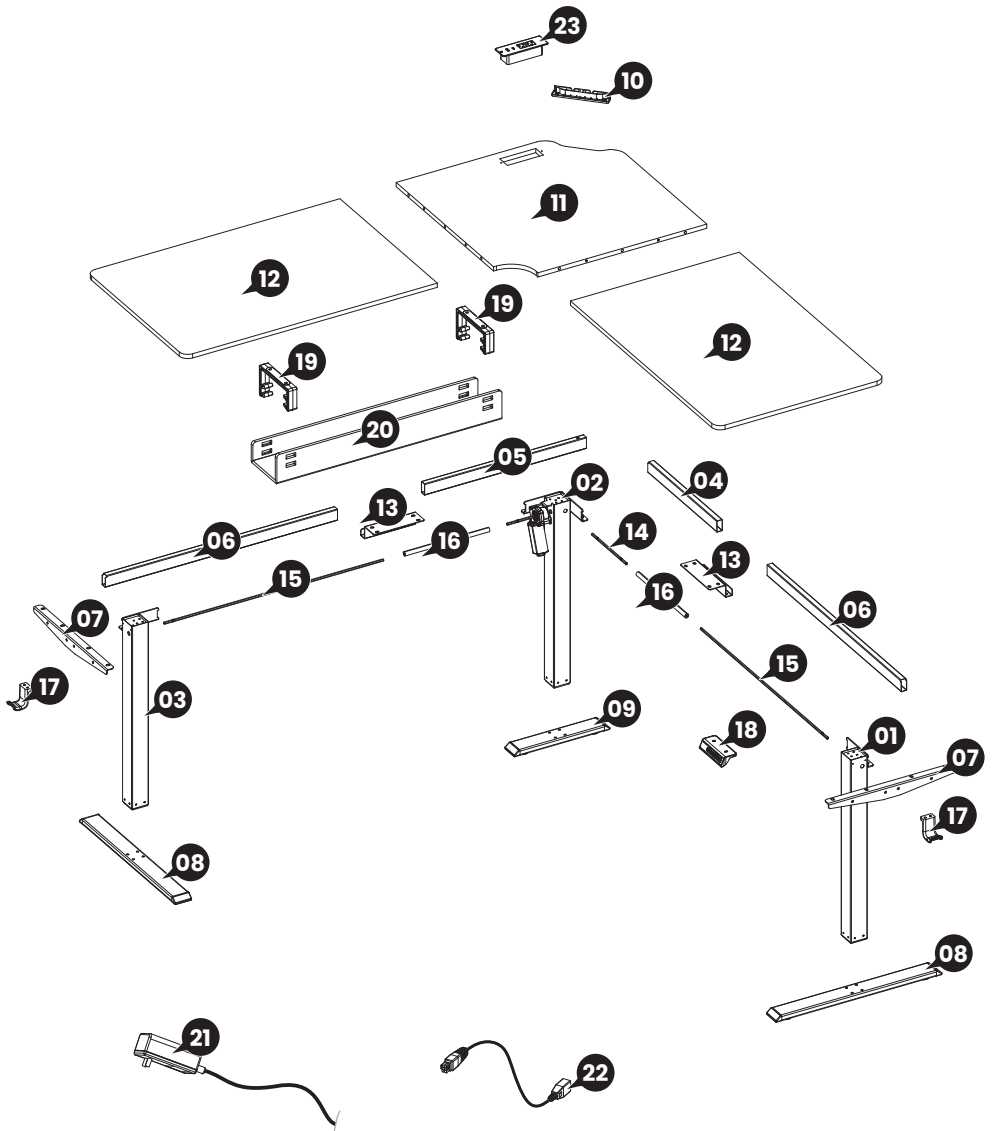
**L1** x4



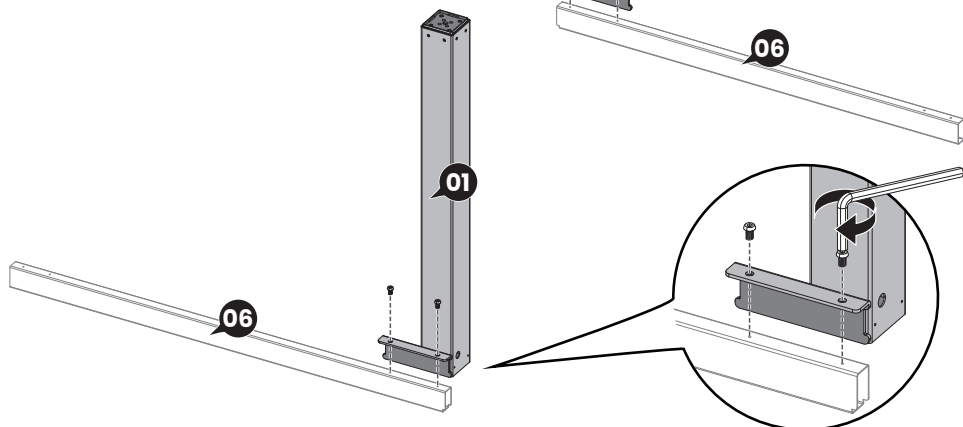
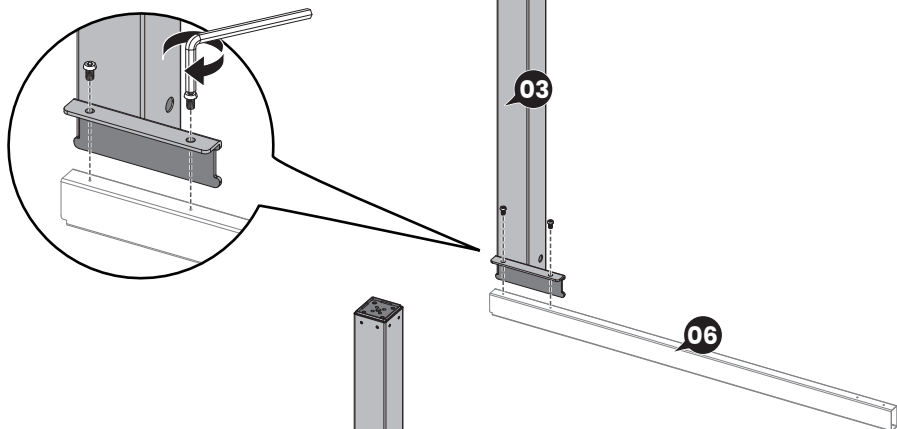
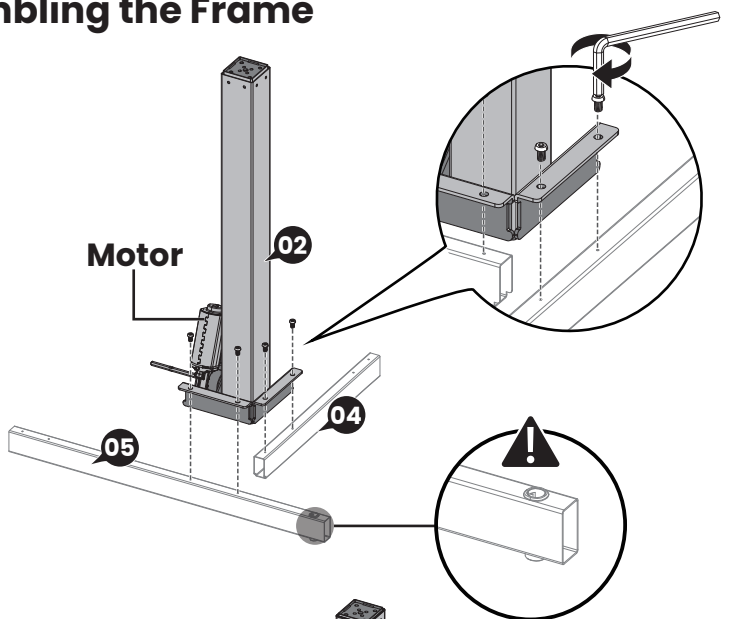
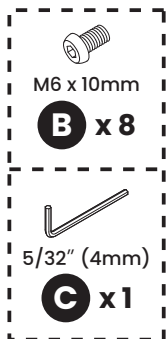
**L2** x4



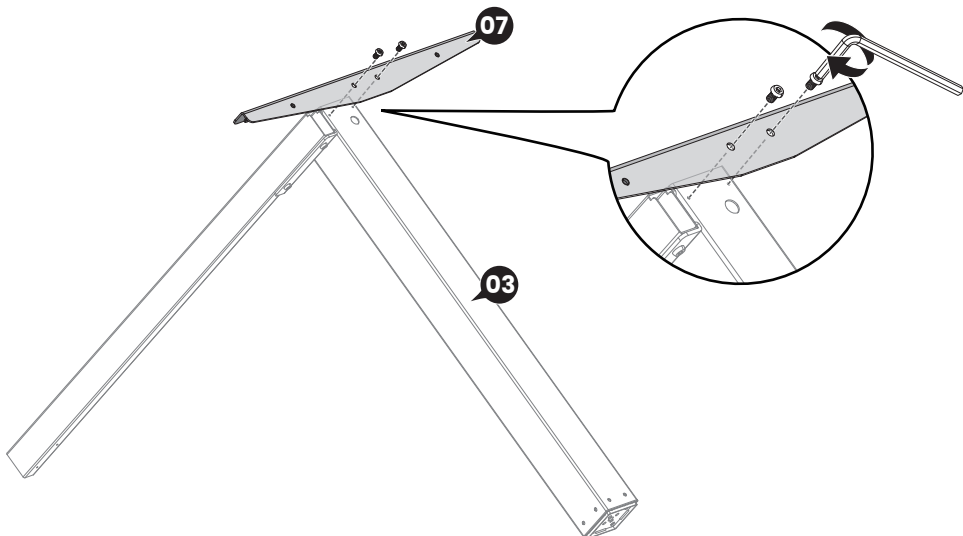
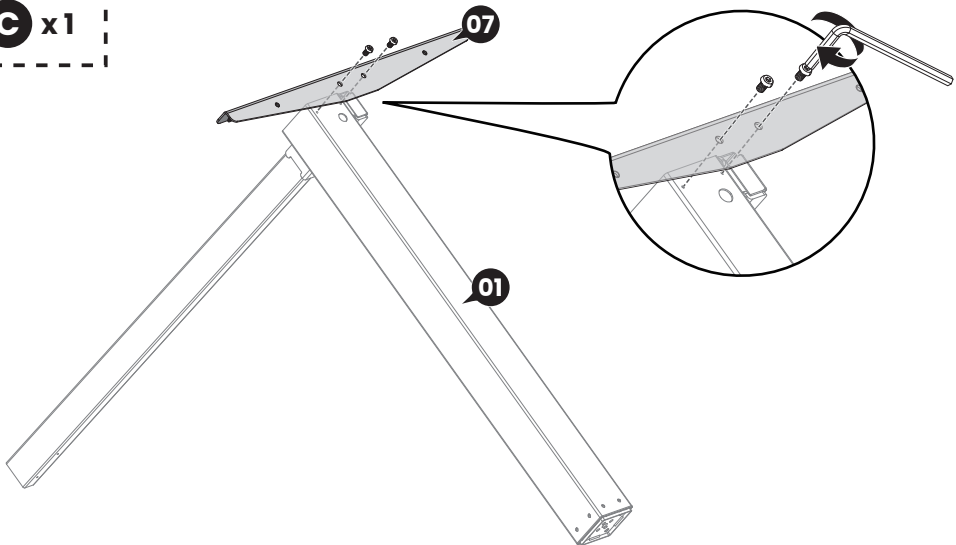
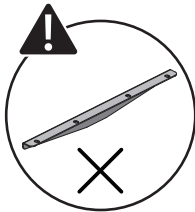
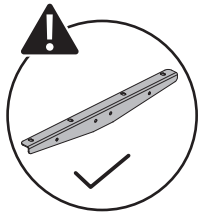
**M** x5

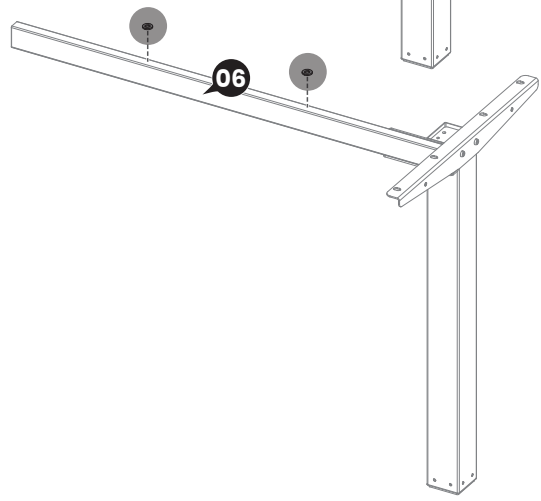
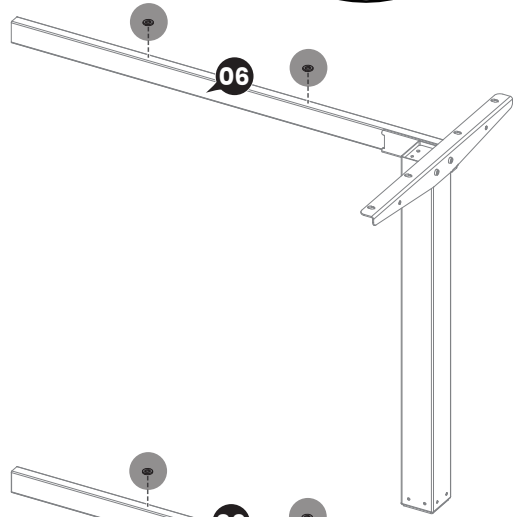
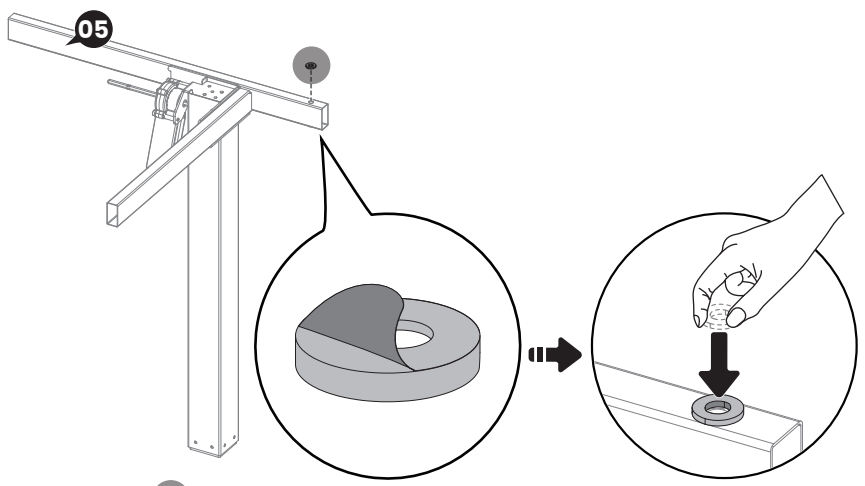
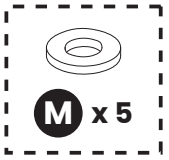


# 1 Assembling the Frame



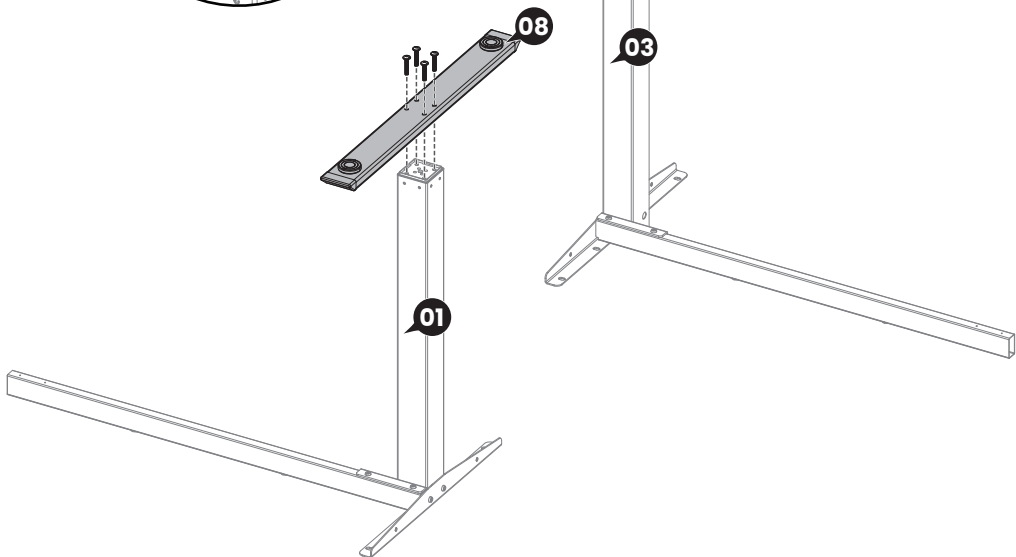
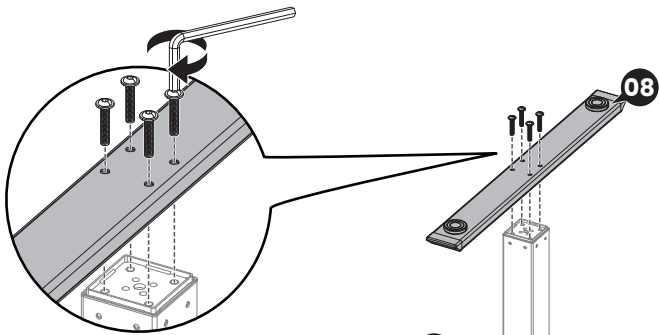
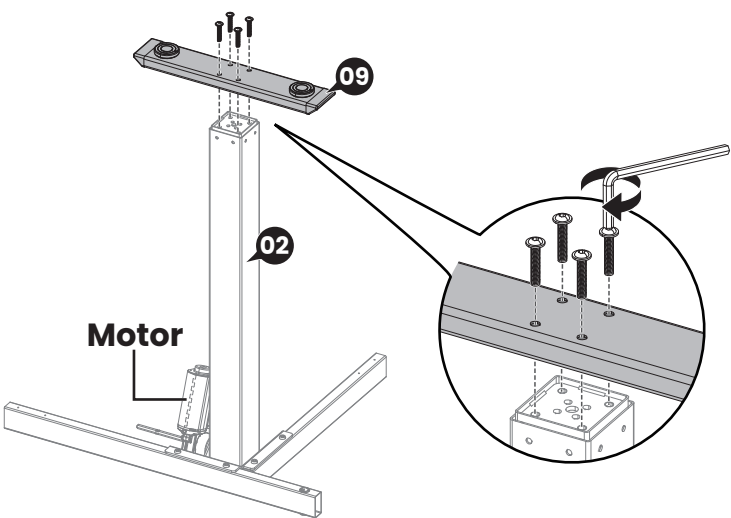
M6 x 10mm  
**B** x 4  
 5/32" (4mm)  
**C** x 1





M6 x 30mm  
**A** x12

5/32" (4mm)  
**C** x1

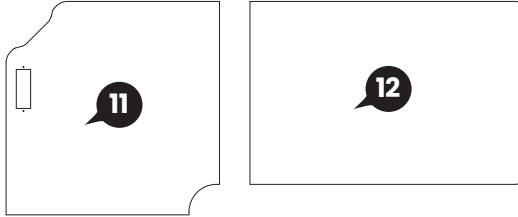


# 2

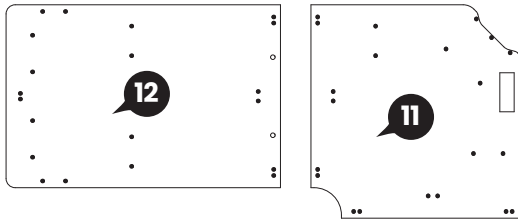
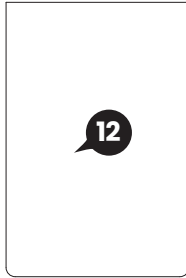
## Attaching the Frame to the Desktop



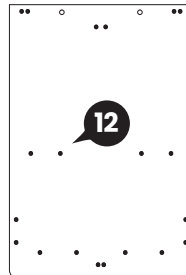
The dots below indicate pre-drilled hole locations.

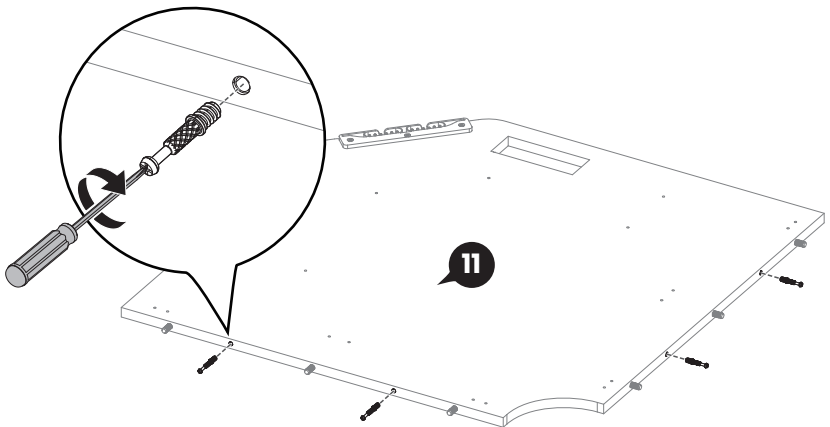
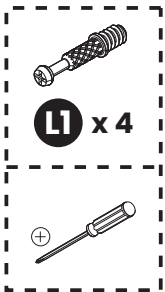
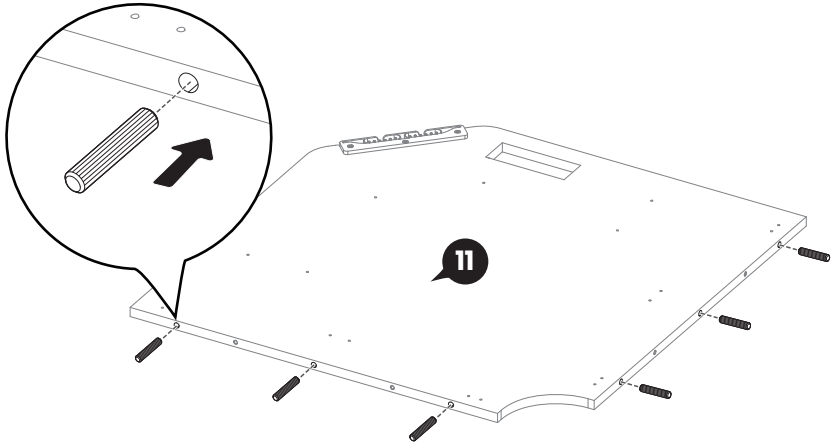
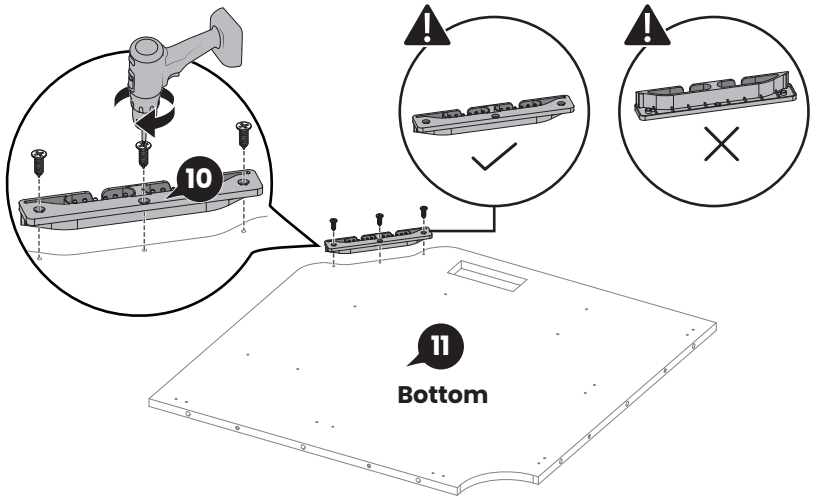
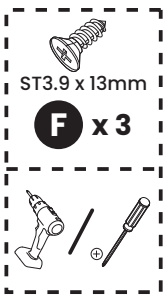


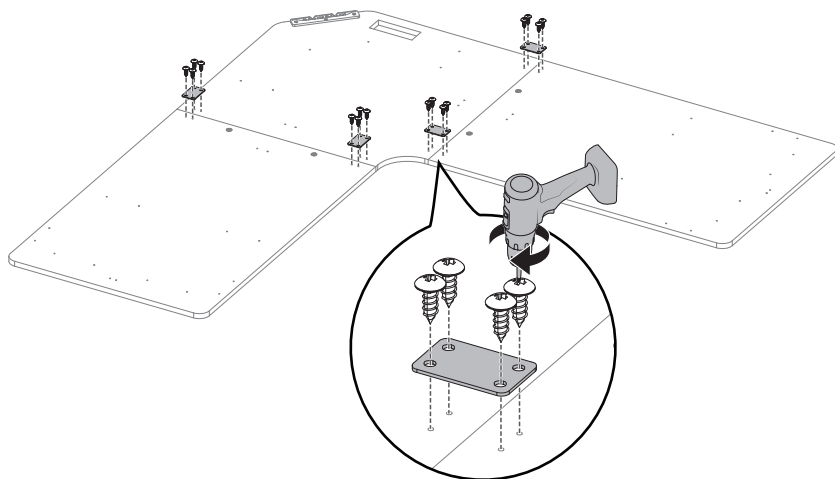
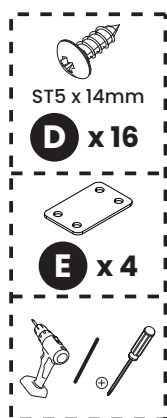
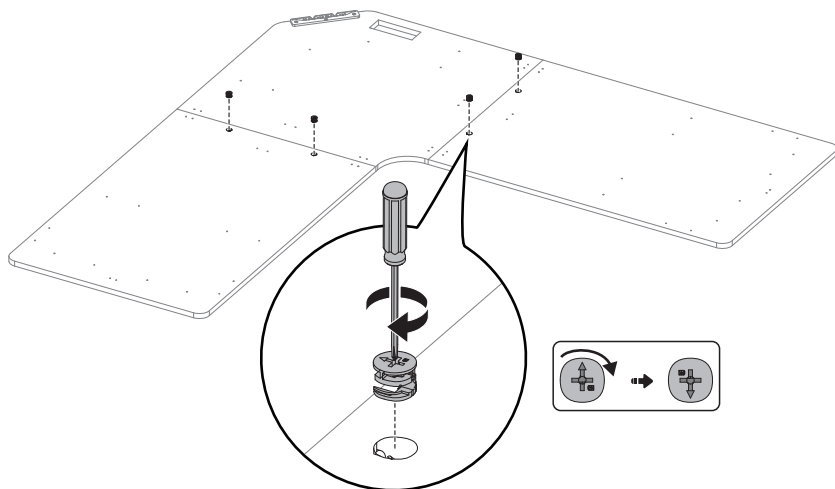
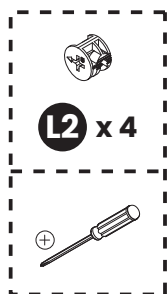
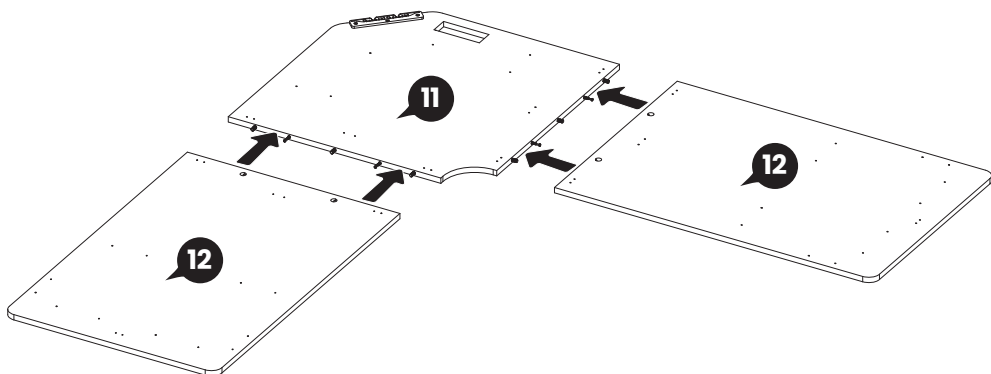
Top

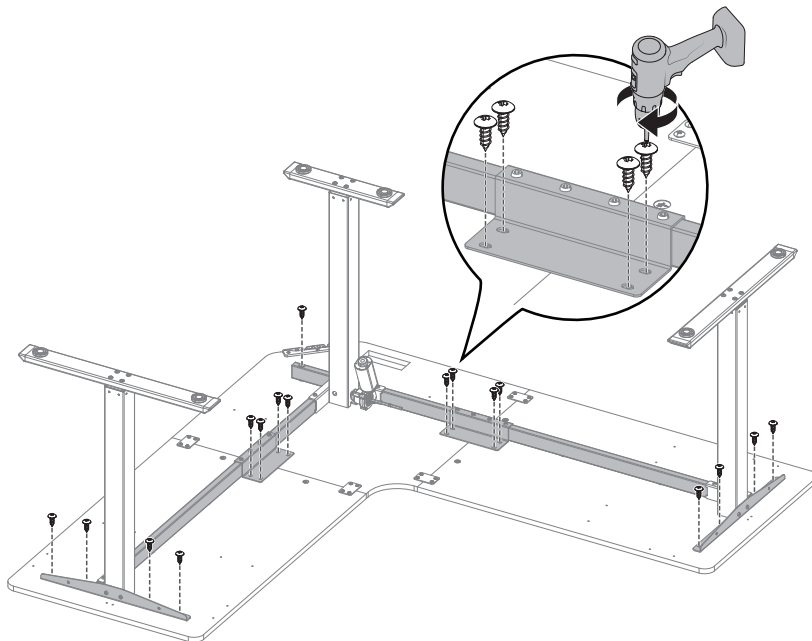
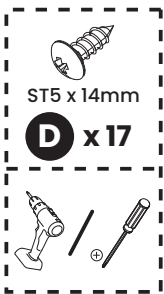
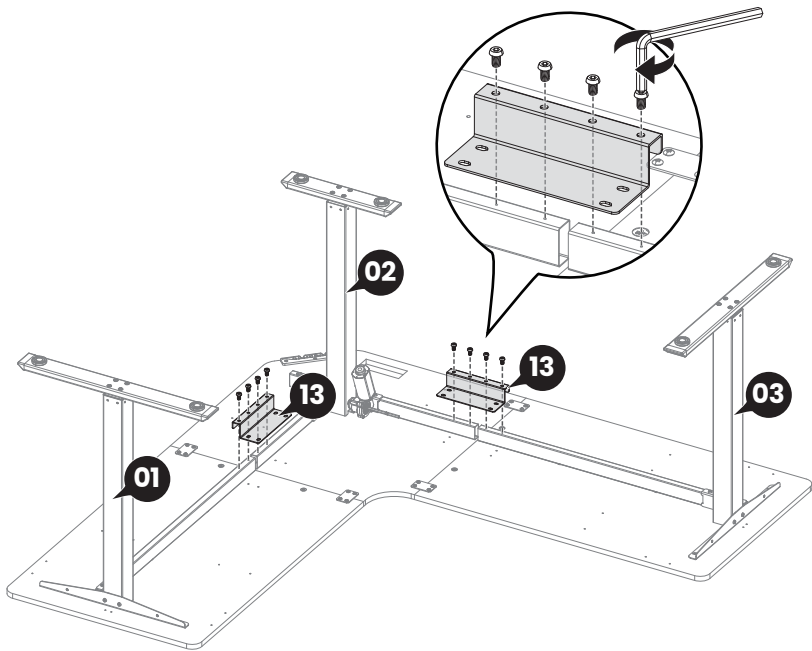
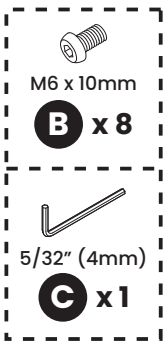


Bottom

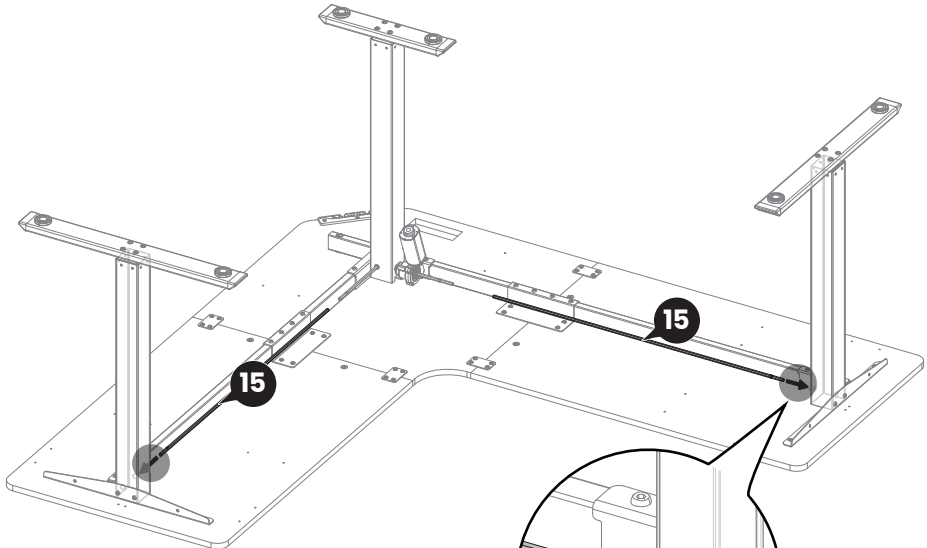
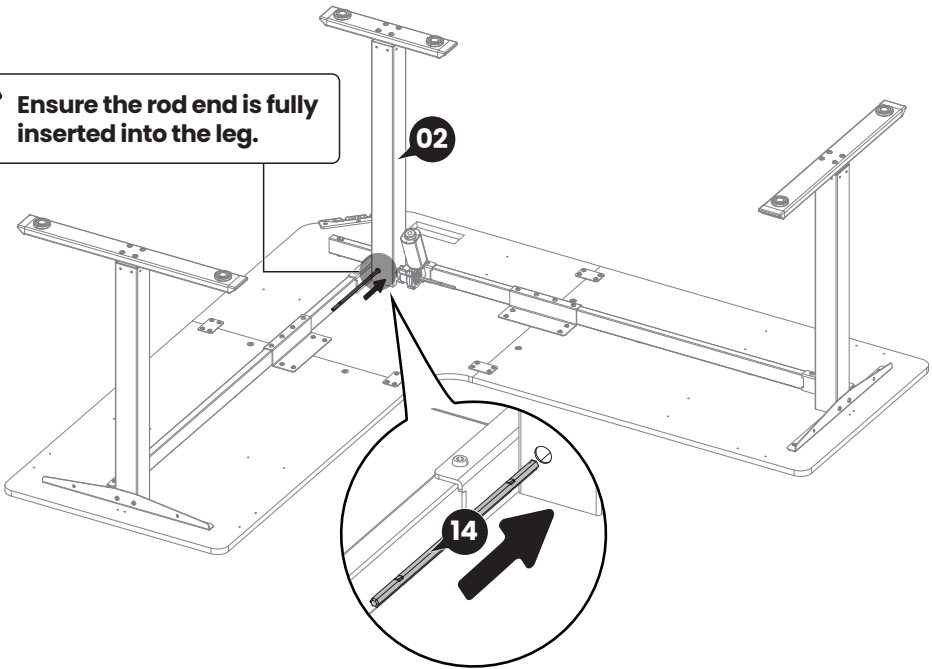








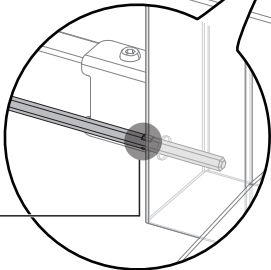
**!** Ensure the rod end is fully inserted into the leg.



**!**

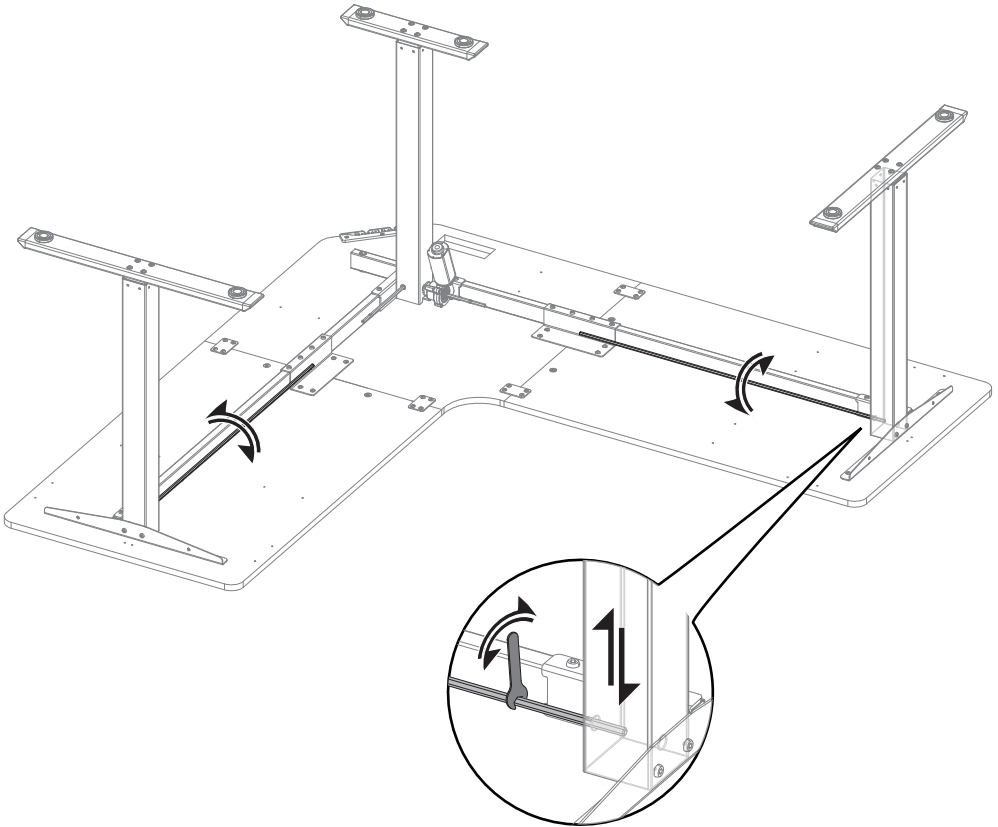
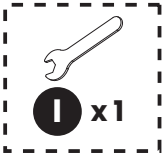


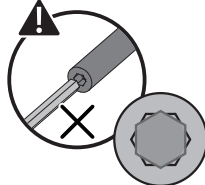
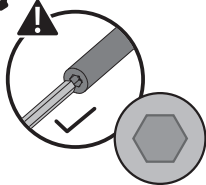
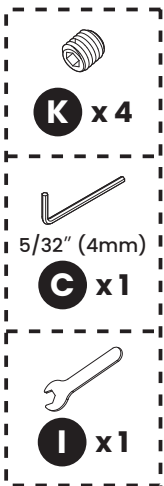
- The end with bump should be connected to the leg.
- Ensure the rod end is fully inserted into the leg.



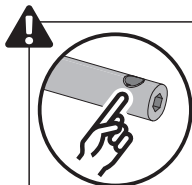
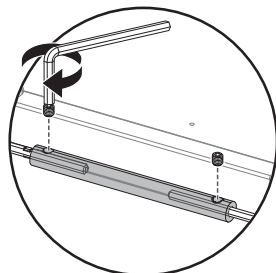
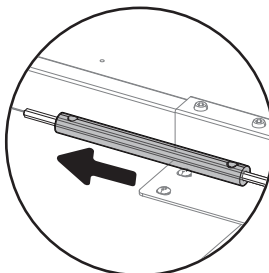
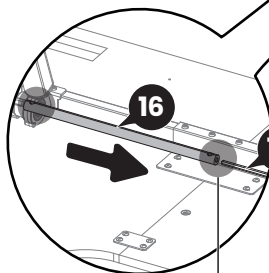
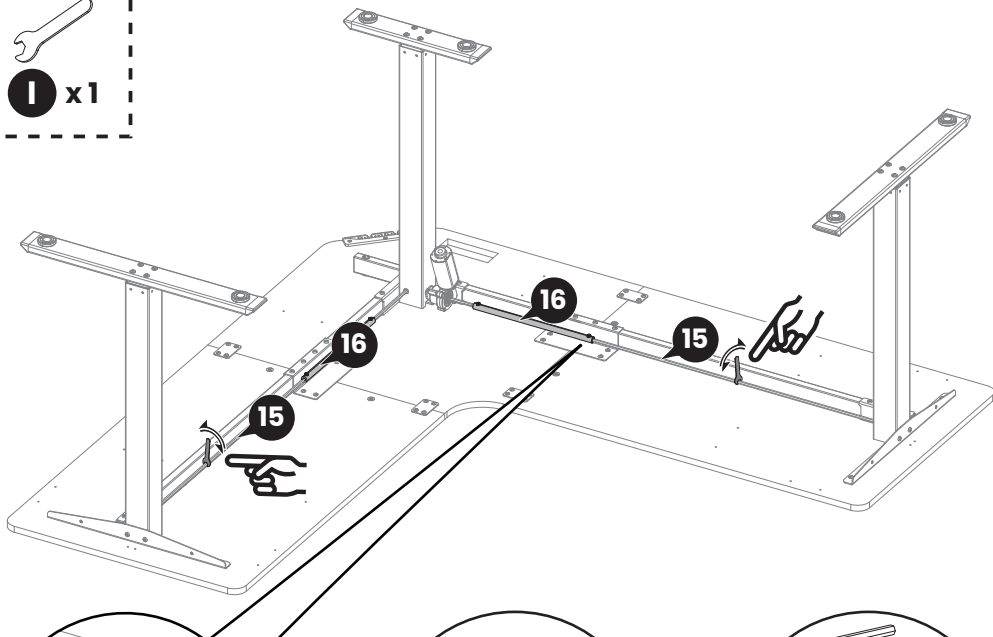
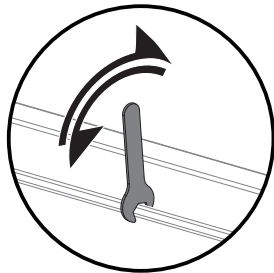
## Adjust uneven desk legs if needed:

Measure the heights of the legs and the leg with motor to see if they are set at the same level. If not, turn the rods to raise or lower the legs until they are level with the leg with motor.





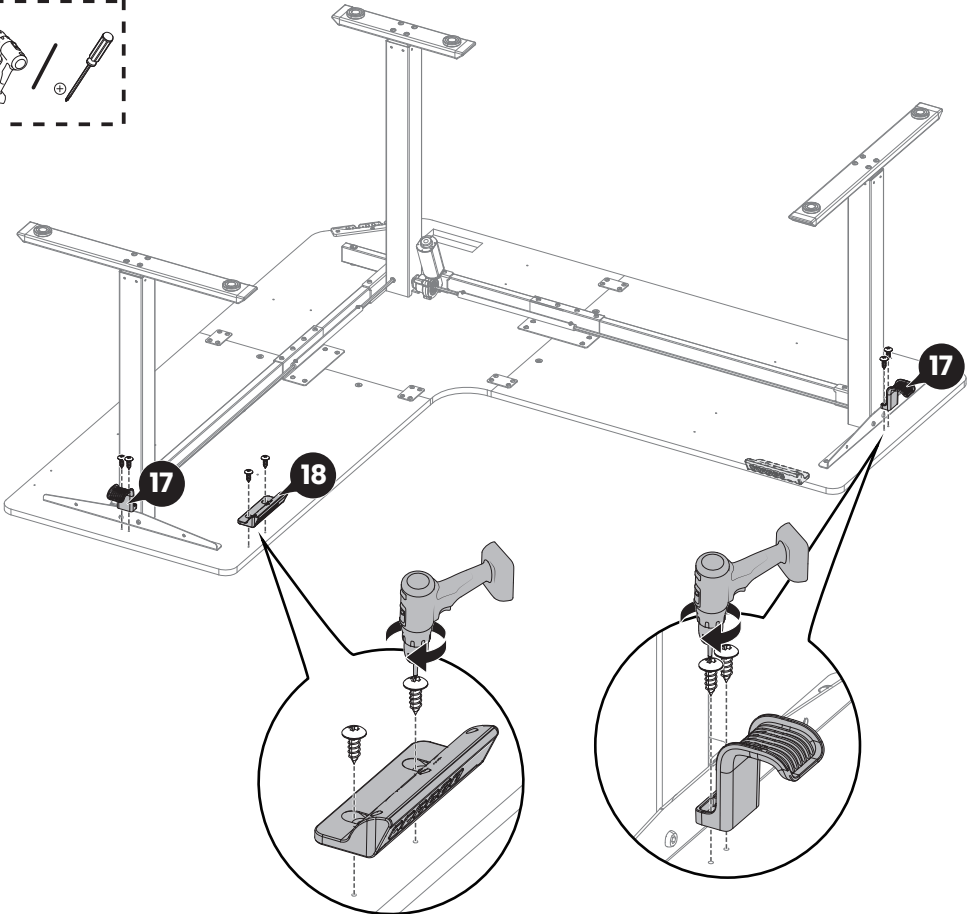
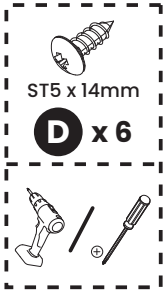
If the transmission rod does not fit smoothly, use the wrench to fine-tune the position.



Make sure the holes for set screws face out.

# 3

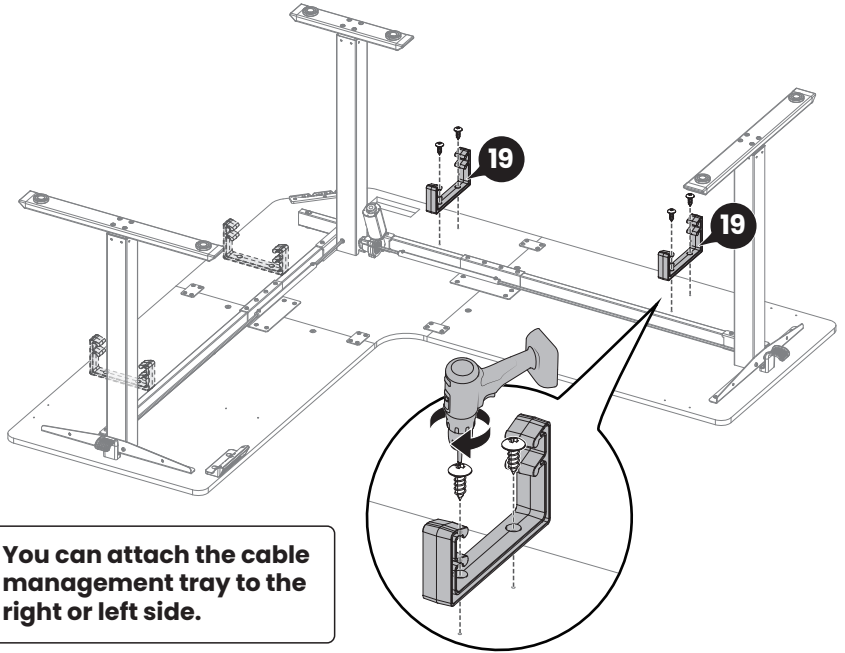
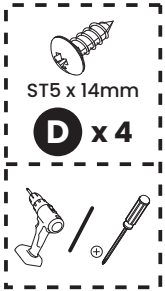
## Attaching the Controller and Storage Hooks



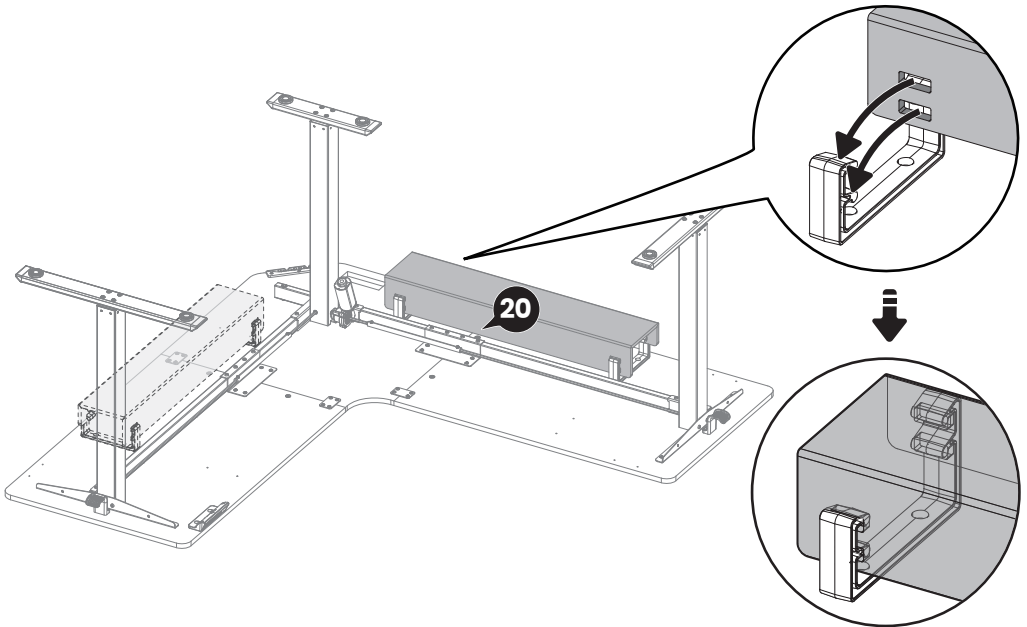
**You can attach the controller to the right or left side.**

# 4

## Attaching the Cable Management Tray



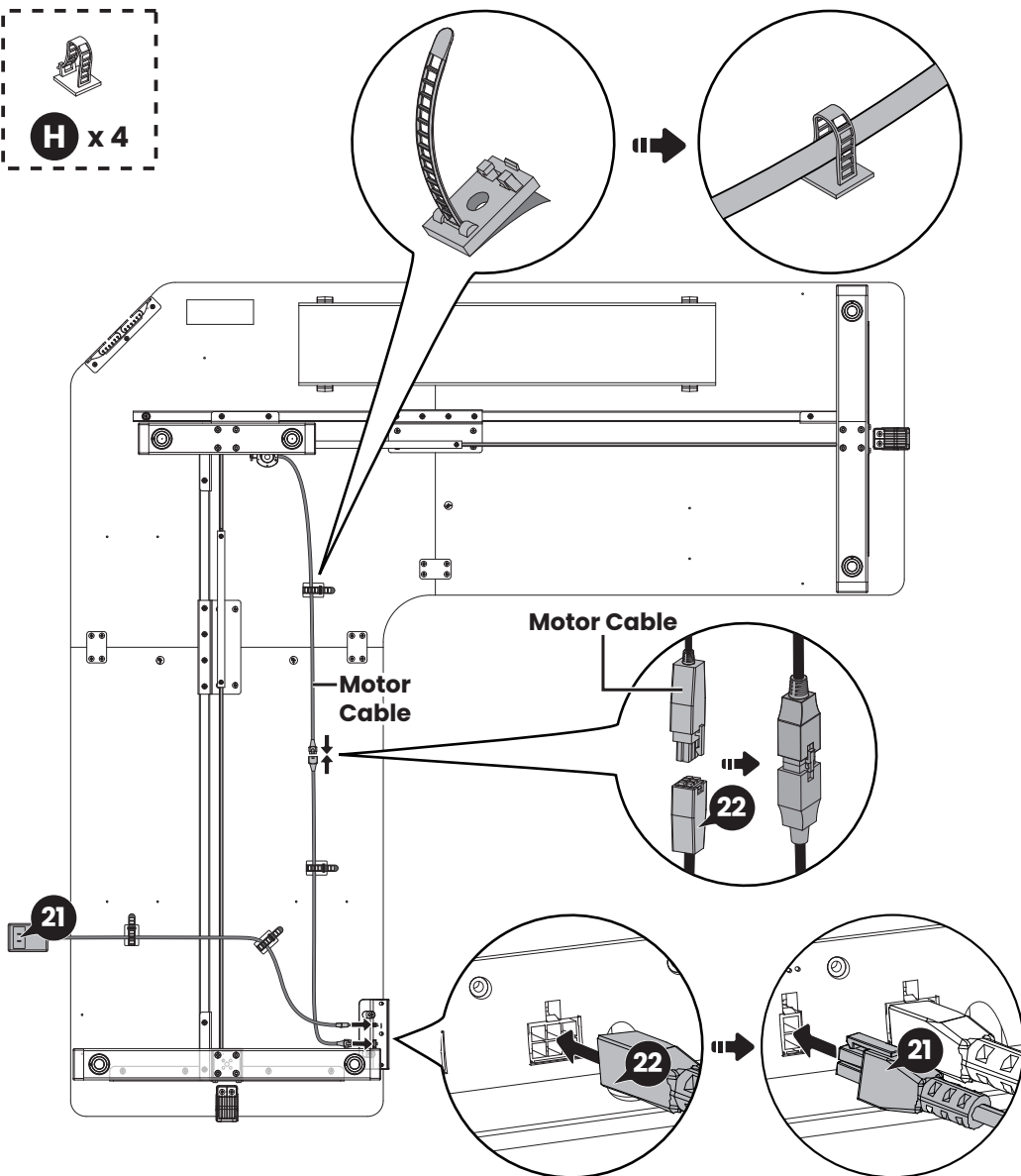
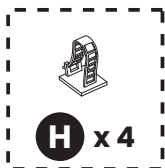
You can attach the cable management tray to the right or left side.



# 5

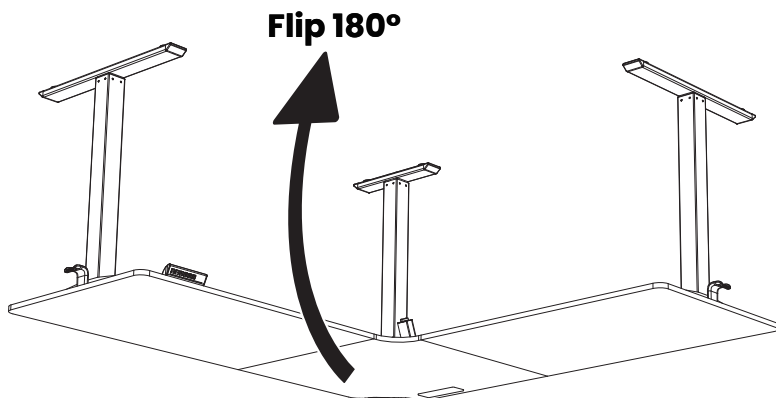
## Connecting the Cables

 An example of a cable clip layout is indicated below. However, the cable clips can be arranged according to your needs.

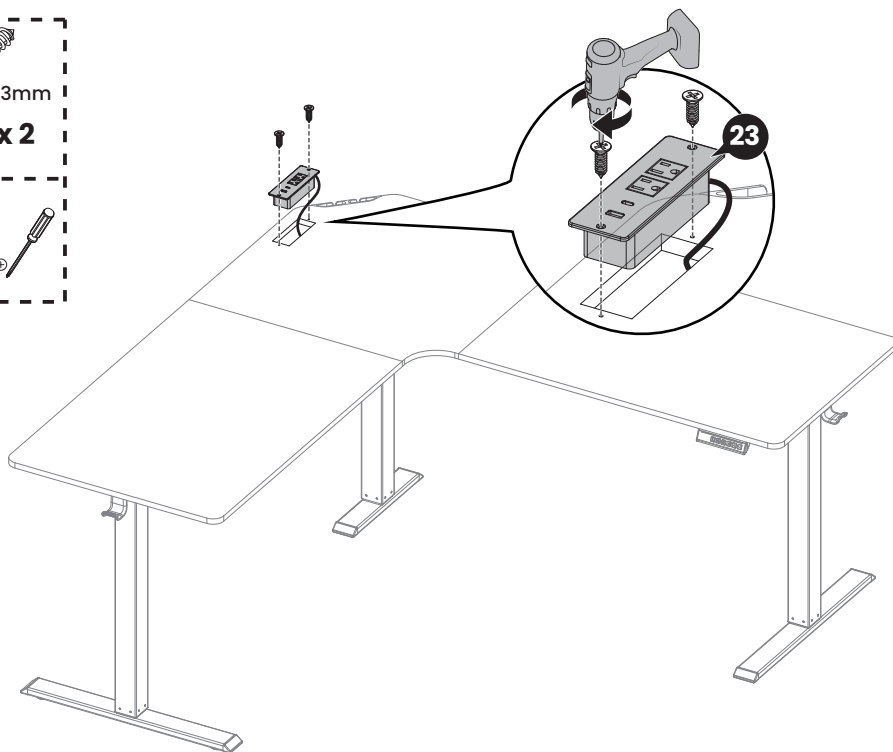
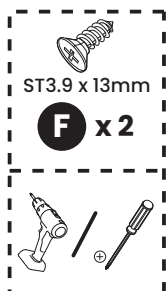


# 6

## Attaching the Power Outlet



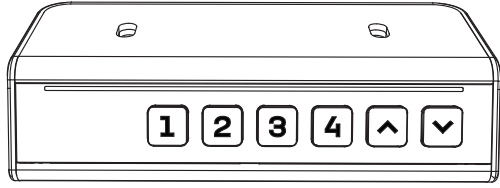
**!** When flipping the desk over, make sure the controller does not hit the ground, which could cause damage.



# Using the Controller



Reset before first use.



**Note:** Ensure that there are no obstacles when using the desk, that the desktop is not too close to the wall, and that all cables are long enough for the desk to move up and down freely. When the controller screen is off (power-saving mode), press any button to wake it before operation.

---

Raise Desk (Max height: 46.4"/118cm)

Lower Desk (Min height: 27.5"/70cm)

## • Save Current Height Setting

Four heights can be stored. Press and hold the **1**/**2**/**3**/**4** button for 3 seconds. The digital number will flash three times and the current height will be stored to that button.

## • Select Height Setting

Press the **1**/**2**/**3**/**4** button. The desk will move to the height that was previously set for that button. Press any button to stop the desk.

## Settings

### Reset

'RST' displays as **RST** on the screen.

1. Press and hold the  button until the desk goes down to its lowest level, then release the button.
2. Press and hold the  button for 5 seconds until the screen displays 'RST,' then release the button with 'RST' flashing.
3. Press and hold it again until the desk goes down to its lowest level and comes back up slightly. The screen will display the current height again, then reset is complete.

Note: It is recommended that you remove all items from the desktop before performing a reset.

<b>Lock/Unlock</b>	Press and hold <b>1</b> and <b>2</b> buttons together for 3 seconds to turn the lock on. The screen will display 'LOC' and the buttons will be disabled. Repeat to turn the lock off.
<b>Change Display Height Units</b>	Press and hold <b>1</b> and <b>3</b> buttons together for 3 seconds to switch the display height unit. The default unit is imperial.
<b>Change Collision Detection Sensitivity</b>	<p>1. Press and hold <b>1</b> and <b>4</b> buttons together for 3 seconds and 'S02' will flash on the screen. The last digit displayed is the current sensitivity level, and the value range is 0–3 (0: off; 1–3: highest to lowest).</p> <p>2. Select other levels by pressing <input type="checkbox"/> or <input checked="" type="checkbox"/> button, then press and hold <b>1</b> and <b>4</b> buttons together for 3 seconds. The digits will stop flashing and the screen will display the current height again.</p> <p><b>Note:</b> Sensitivity is preset to Normal by the factory. However, sensitivity may be adjusted if needed.</p>
<b>Set/Clear Lowest Limit</b>	<p>1. To set the lowest limit, press and hold <input checked="" type="checkbox"/> and <b>1</b> buttons together for 3 seconds. The screen will display '-dO.' Whenever the desk reaches the lowest limit, the screen will display '-LO.'</p> <p>2. To clear the lowest limit, move the desk down to the lowest level (screen displays '-LO'), then press <input checked="" type="checkbox"/> and <b>1</b> buttons together for 3 seconds. '-dO' will flash on the screen and the limit will be cleared.</p>
<b>Set/Clear Highest Limit</b>	<p>1. To set the highest limit, press and hold <input type="checkbox"/> and <b>1</b> buttons together for 3 seconds. The screen will display '-UP.' Whenever the desk reaches the highest limit, the screen will display '-HI.'</p> <p>2. To clear the highest limit, move the desk up to the highest level (screen displays '-HI'), then press <input type="checkbox"/> and <b>1</b> buttons together for 3 seconds. '-UP' will flash on the screen and the limit will be cleared.</p>

## Troubleshooting

1. Please try resetting the desk if you have any issues including the following:
  - Abnormal operation.
  - The controller screen displays 'RST' (reset).
  - The controller screen displays error message E01 – E08, but the motor cable is connected correctly.
2. If the controller screen displays 'HOT,' please wait 20 minutes for the motor to cool down before making any further height adjustment.