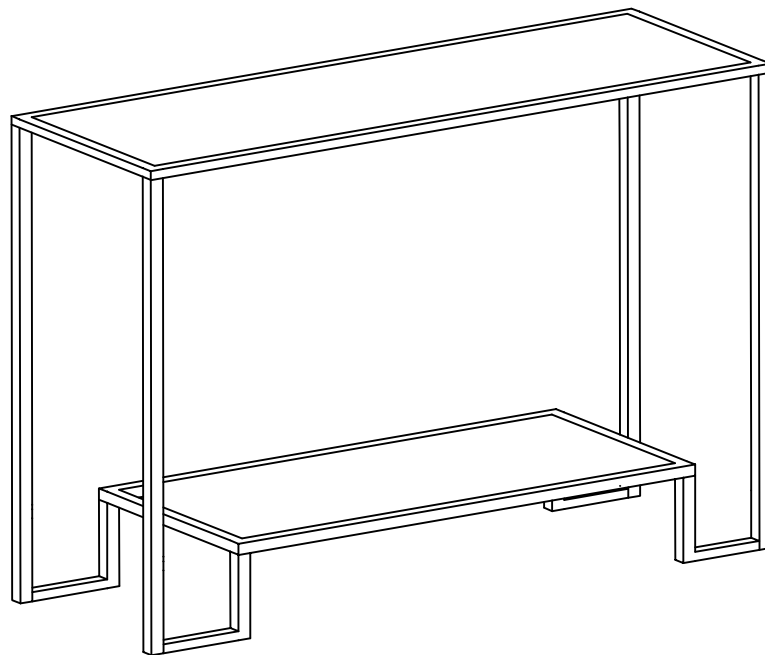


# ASSEMBLY INSTRUCTIONS

## Console Table




### NOTE TO CUSTOMERS:

- For ease and speed of assembly we recommend that before you commence each step of the assembly that you identify all the parts required to complete that step.
- We recommend that where possible you allow sufficient space to assemble the item as close as possible to the place where it will be once assembled.
- For the protection of your furniture we recommend that the product is placed on protected surfaces during assembly to prevent any damage.
- During assembly do not over tighten, as this may damage the product.
- Please ensure you retain all the product packaging until the item completely assembled.
- Please periodically check all fittings and re-tighten as necessary.
- Never allow any liquids to remain on your furniture as absorption can cause the wood to warp or the finish to de-laminate.
- It is recommended that this item should be assembled by two adults.

# Part List

A1  Top Frame 1PC

A2  Bottom Frame 1PC

A3  Leg 2PCS

A4  Leg 2PCS


A5  Top Panel 1PC

A6  Bottom Panel 1PC

# Hardware List

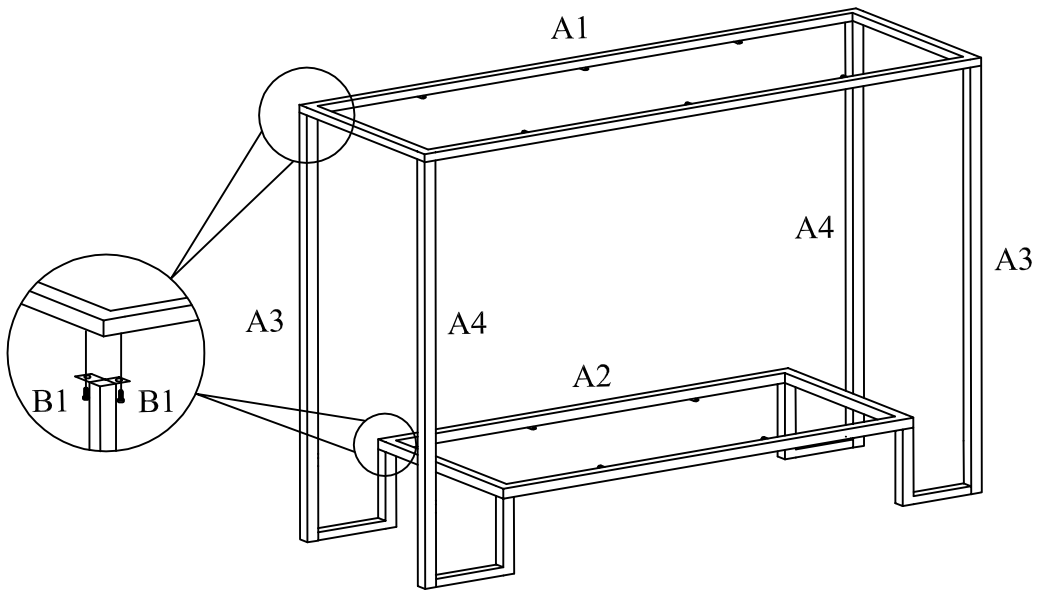
B1  Bolt 16PCS

B2  Screw 10PCS

 Allen Wrench 1PC

## STEP 1

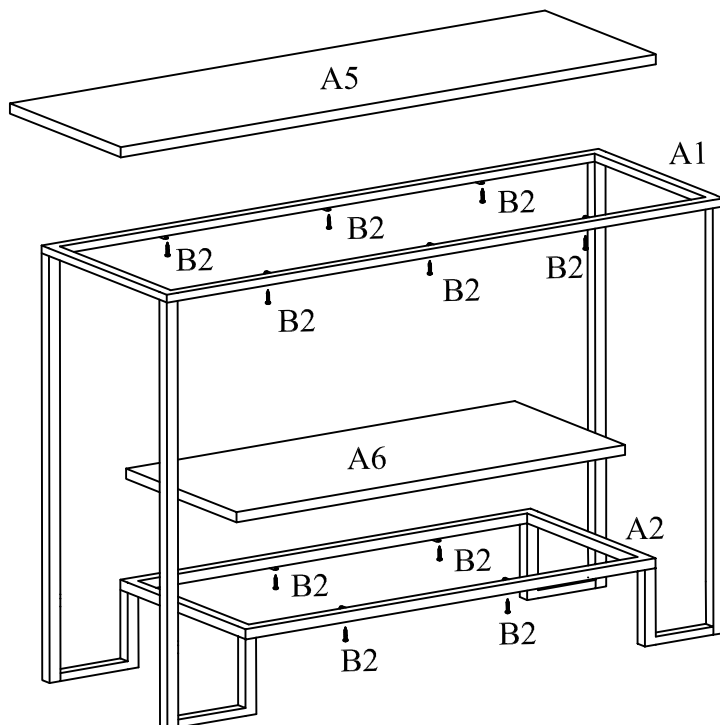
B1  16pcs



Assemble Frames A1&A2 to Legs A3&A4 using Bolts B1 as shown above.  
Noted:Please do not tighten Bolts B1 until Step 2.

## STEP 2

B2  10pcs



- 1).Assemble Bottom Panel A6 to Bottom Frame A2 using Screws B2.
  - 2).Assemble Top Panel A5 to Top Frame A1 using Screws B2.
- Noted:Place the table on the floor and check if it is stable before tightening all bolts.