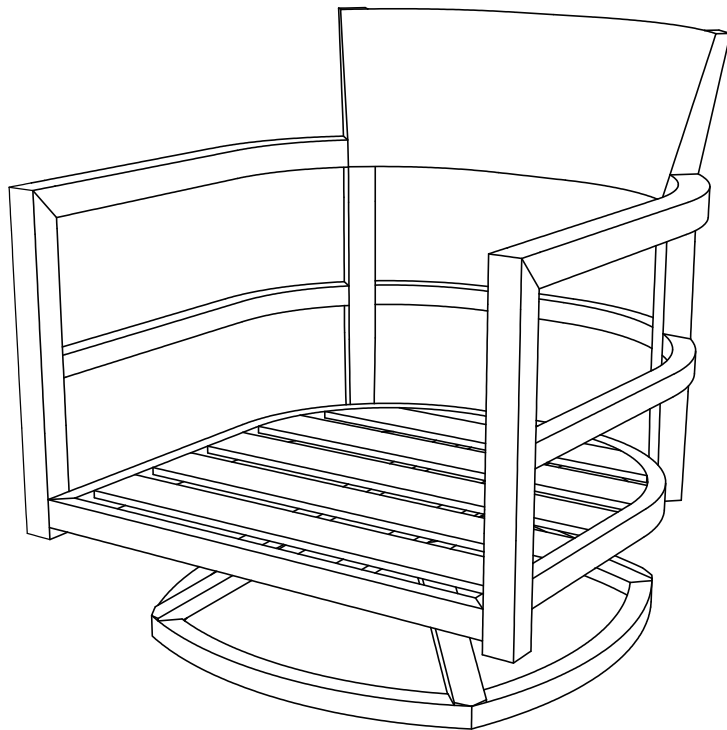


Swivel Club Chair

ASSEMBLY INSTRUCTIONS

OE-H-574



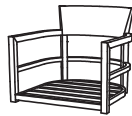
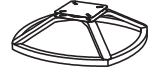


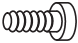

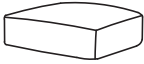


BEFORE ASSEMBLY:

- Please read these instructions carefully before starting assembly. We suggest you carry out the assembly on a soft surface like a carpet, so as to avoid scratching the paint. Keep children away during assembly. This item contains small parts which can be swallowed by children.
- This product was made for the explicit purpose of providing outdoor function and is not to be used as a toy. This product is for residential use only. This product is NOT intended for commercial use; unintended use will void the warranty.
- This product is not intended for use during inclement or severe weather, that includes but is not limited to rain, hail, sleet, snow, wind, freezing conditions and extreme heat.
- Please note because of the nature of cast metal, you may find roughness on the surface which enhances the beauty of the product and is not a defect.
- Aluminum is soft metal, please do not use power tools, and over tighten may strip threads or break the parts.
- When not in use, store and/or cover the product in a cool dry location. Do not locate the product near any sort of high heat. Do not use the product as a support.
- Children under the age of 10, who are near the product, should be supervised by a competent adult at all times.
- Do not discard any of packaging until you finish the assembly. Keep the assembly instructions for future reference or warranty.
- **Minor product improvements may be made without prior notice.**

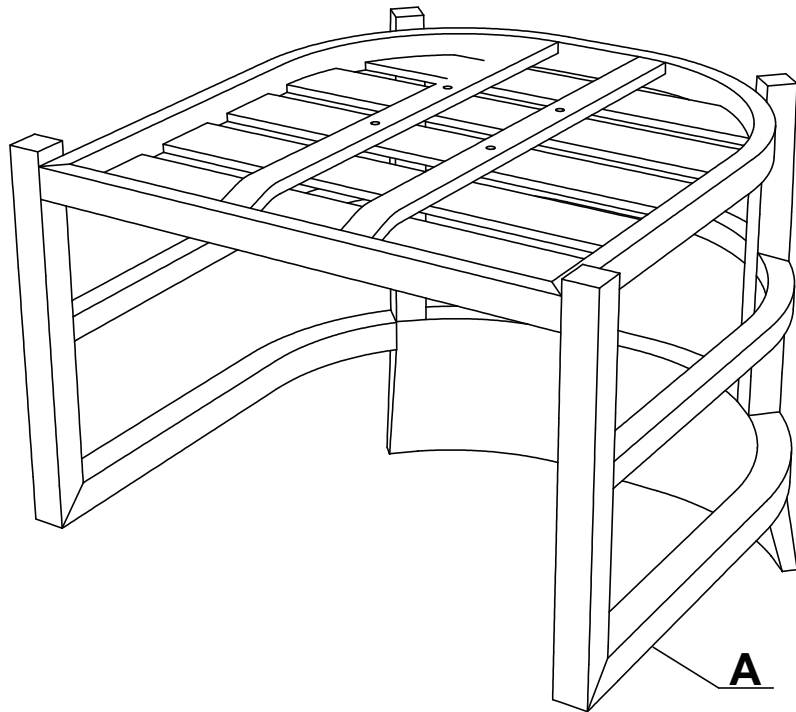
PARTS LIST:

Place all the parts on a clean and soft surface, identify all the parts and hardware kits against parts list.

* : A portion of the quantity for the parts marked with an asterisk is located on part B.

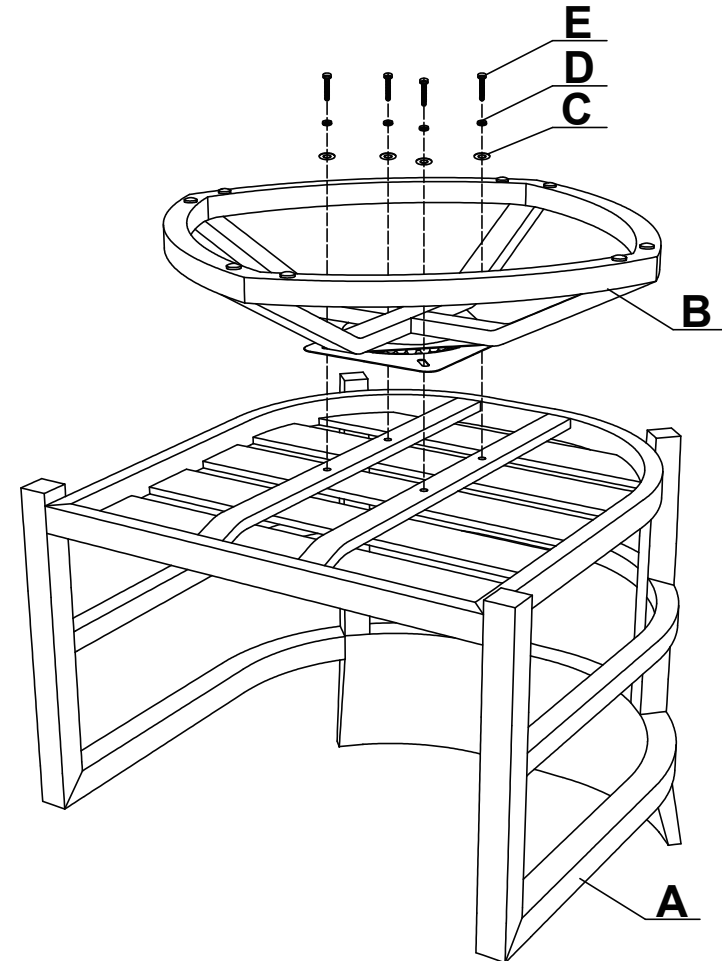
<p>AX1</p>  <p>Seat</p>	<p>BX1</p>  <p>Base</p>	<p>CX4</p>  <p>Spring Washer</p>	<p>DX4</p>  <p>Washer</p>	<p>EX4</p>  <p>Bolt(M6*15)</p>
<p>FX4</p>  <p>Nut Caps</p>	<p>GX1</p>  <p>Seat Cushion</p>	<p>HX1</p>  <p>Back Cushion</p>	<p>IX1</p>  <p>Allen Wrench</p>	

Step 1: Place all the parts on a clean and soft surface, identify all the parts and hardware kits against parts list. Then turn over Seat(A).



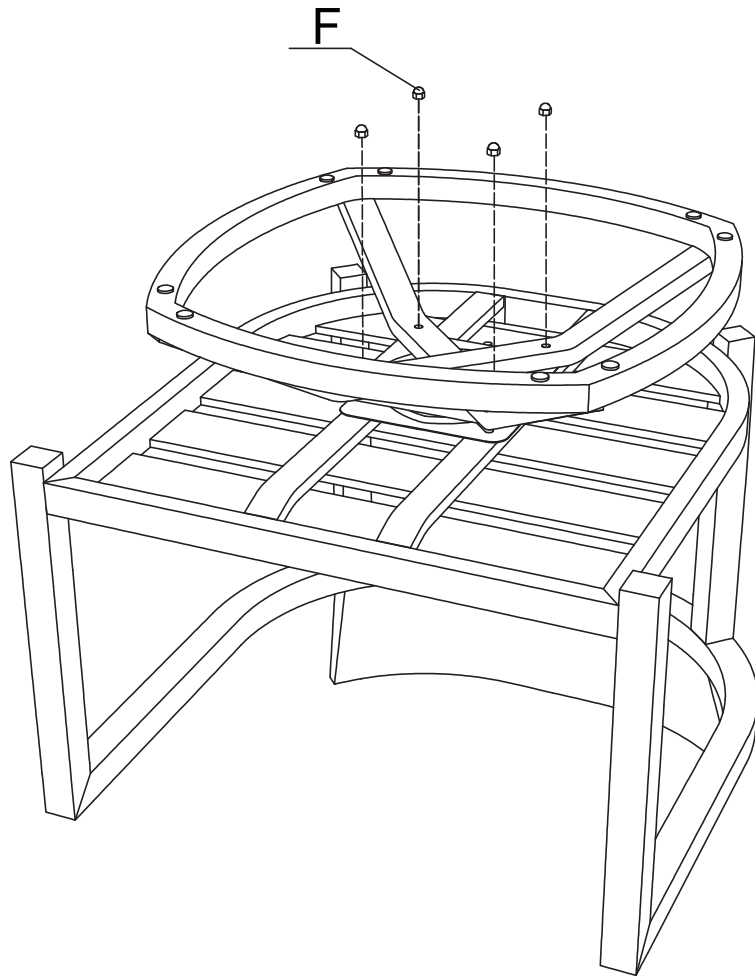
(1)

Step 2: Connect parts(B,A) with hardware (C,D,E) in the order displayed in Fig(2). Assembling them until an initial connection is established. Then tighten all the bolts with Wrench (I) . Do not overtighten bolts, it will cause damage of the chair without warranty.



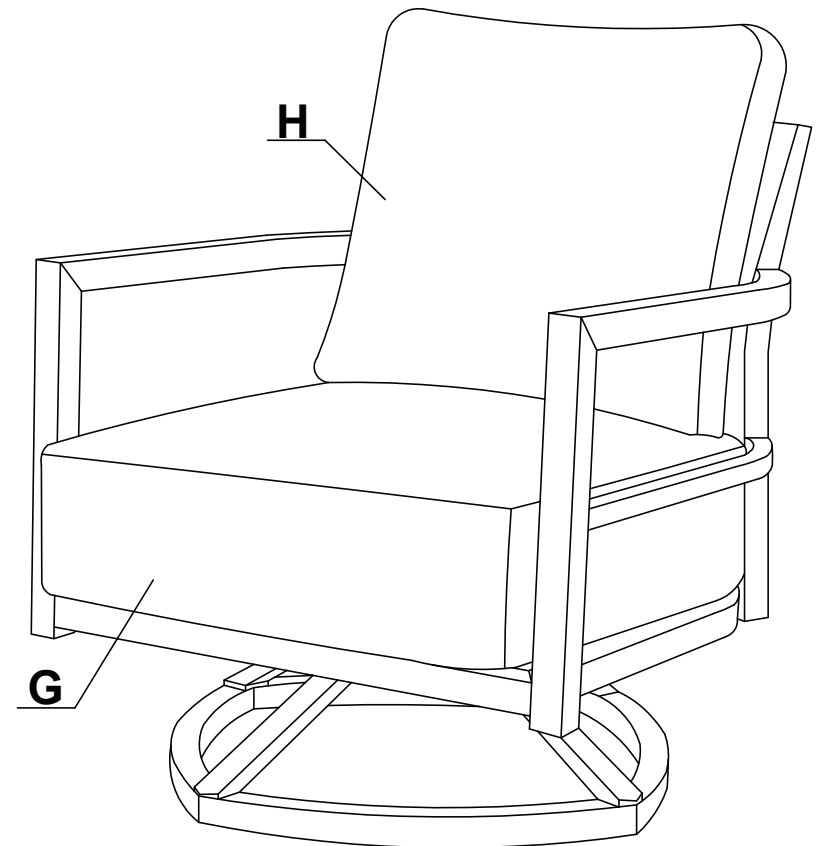
(2)

Step 3: Then put all the Nut Caps(F) on the Nuts that are already pre-installed on Base (B).



(3)

Step 4: Then put the Seat Cushion(G) on the chair and tie the Back Cushion(H) to the back of the chair. Check and ensure that your Swivel Club Chair is in a stable condition. Your chair should be ready for use.



6

5