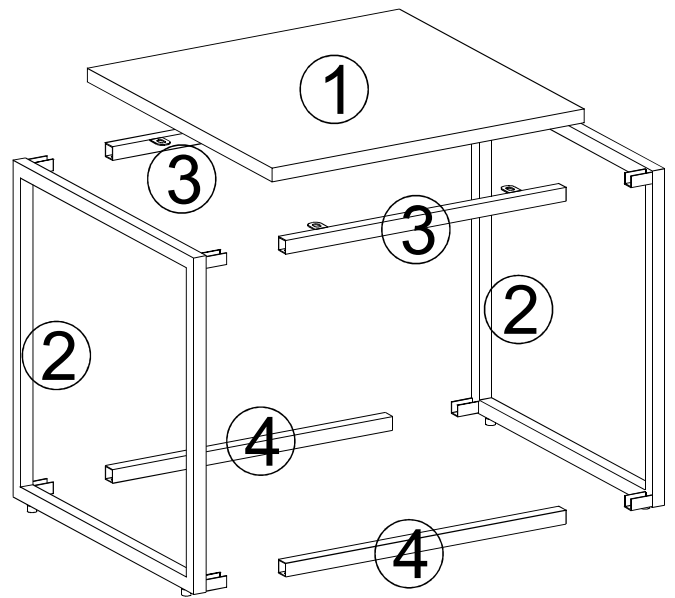
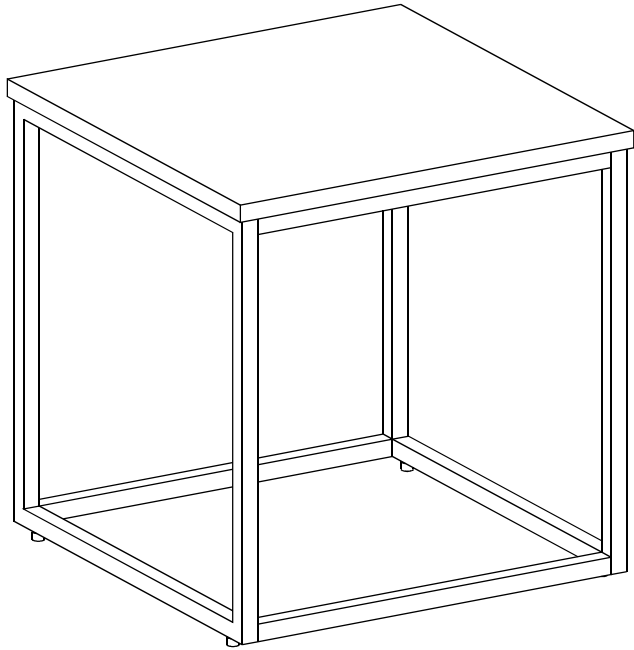


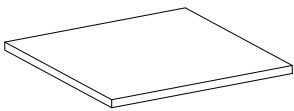


ASSEMBLY INSTRUCTIONS

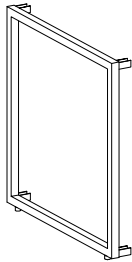


PARTS LIST

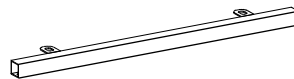
① = 1 PC



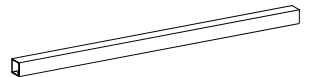
② = 2 PCS



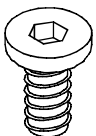
③ = 2 PCS



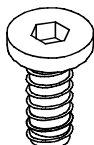
④ = 2 PCS



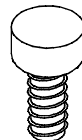
A = 16 PCS



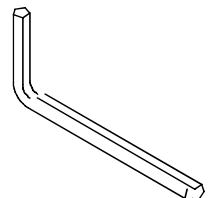
B = 4 PCS



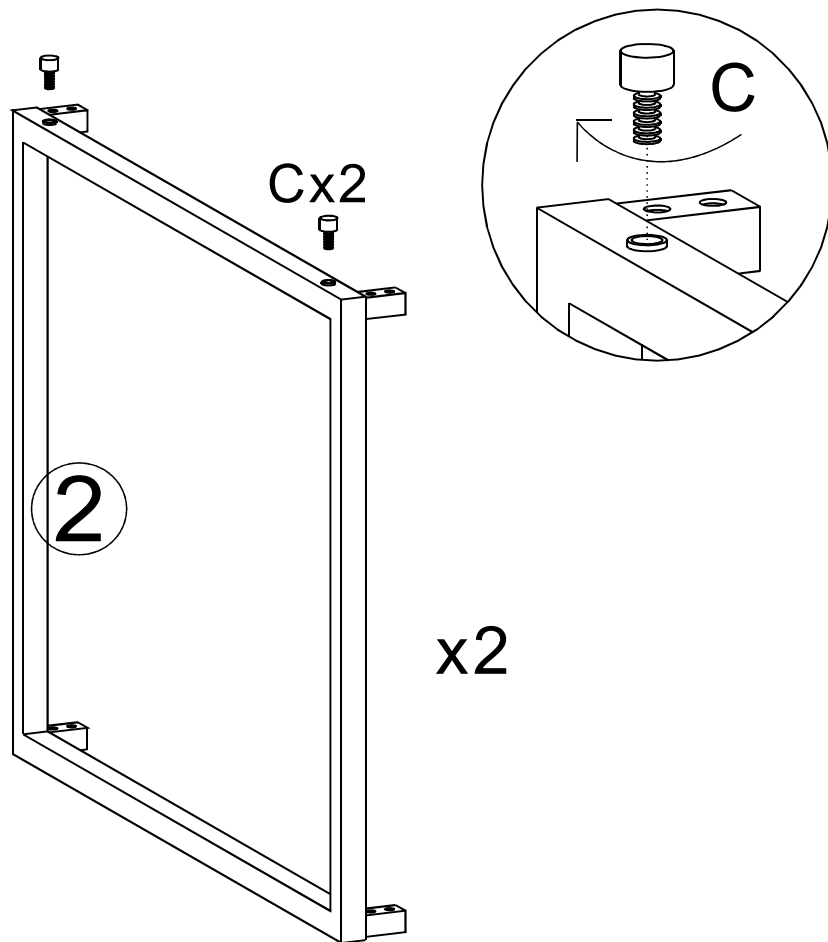
C = 4 PCS



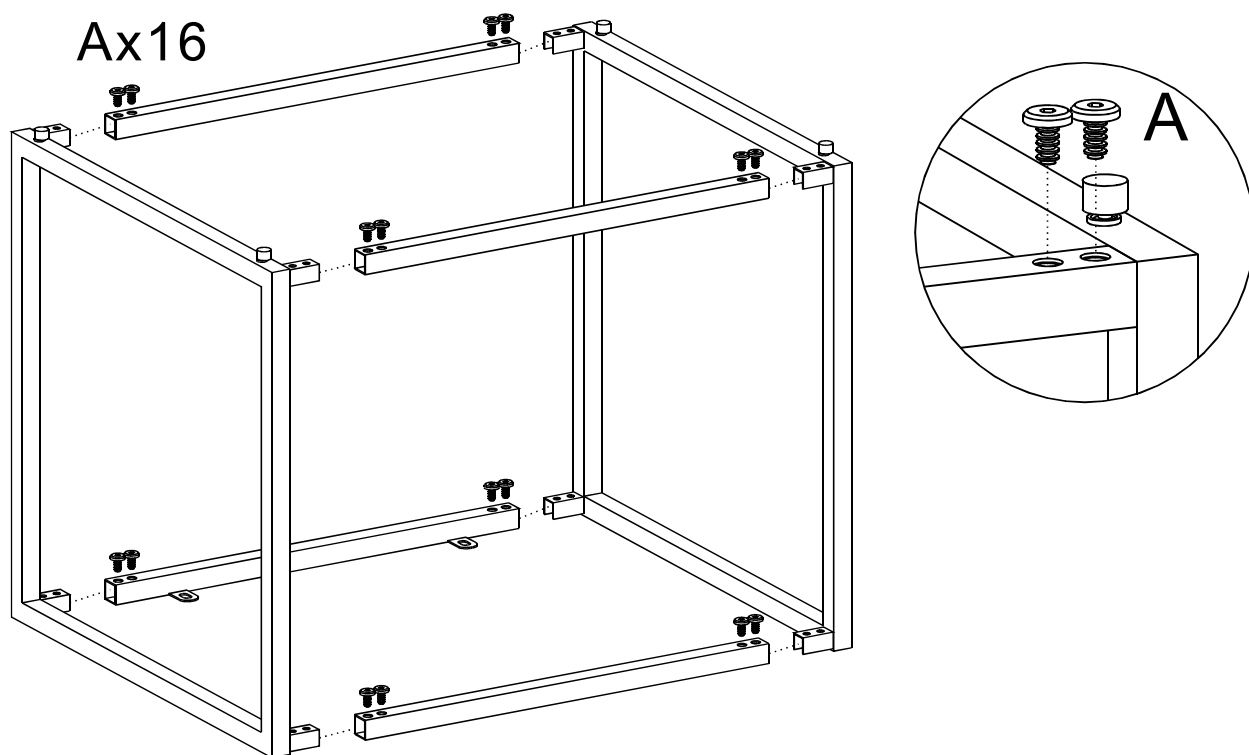
D = 1 PC



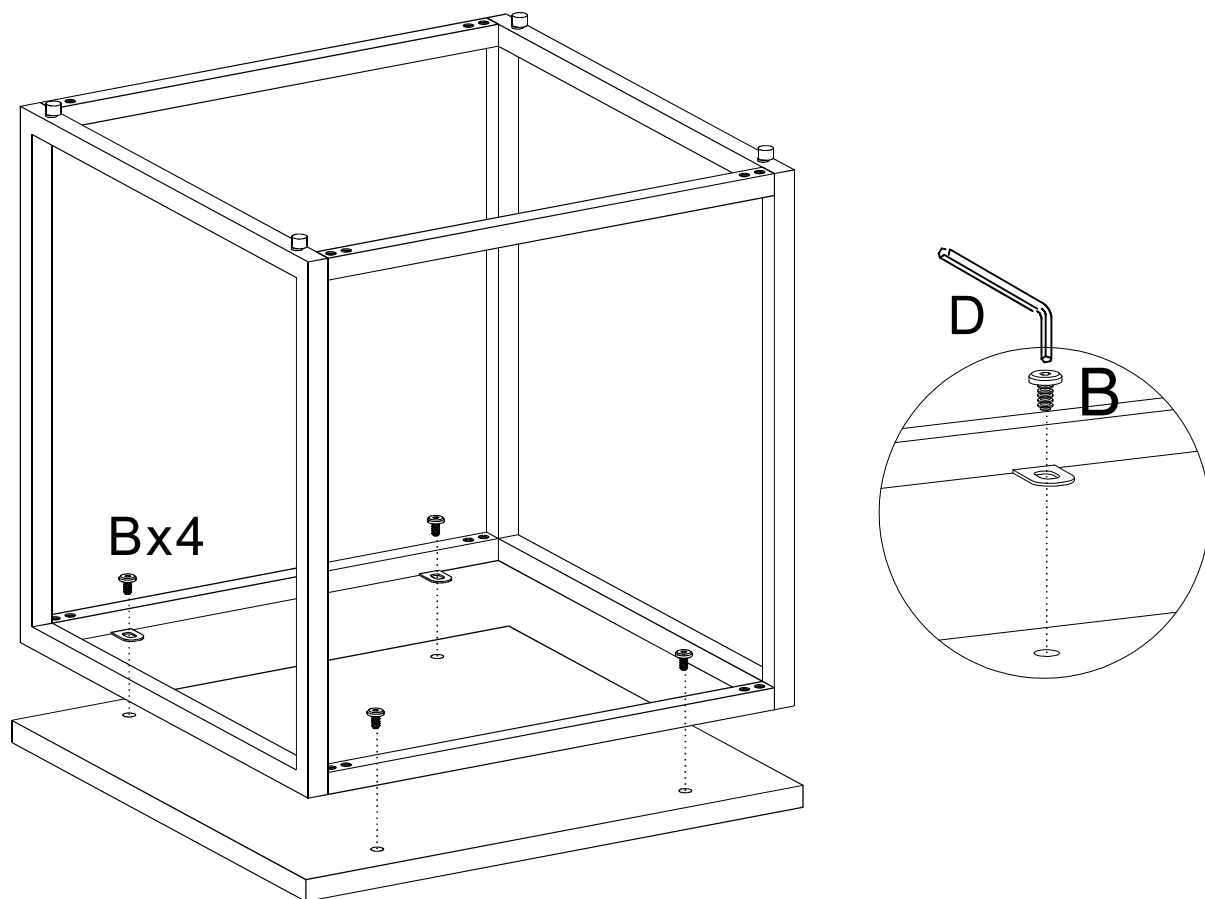
STEP 1



STEP 2



STEP 3



STEP 4

