

ASSEMBLY INSTRUCTIONS

Read this instruction carefully. See hardware and furniture part list for guidance. Be sure all parts are complete, before you assemble. Place all wooden furniture parts on a clean and flat soft surface to prevent from being scratched. Follow the figure to start assembling.

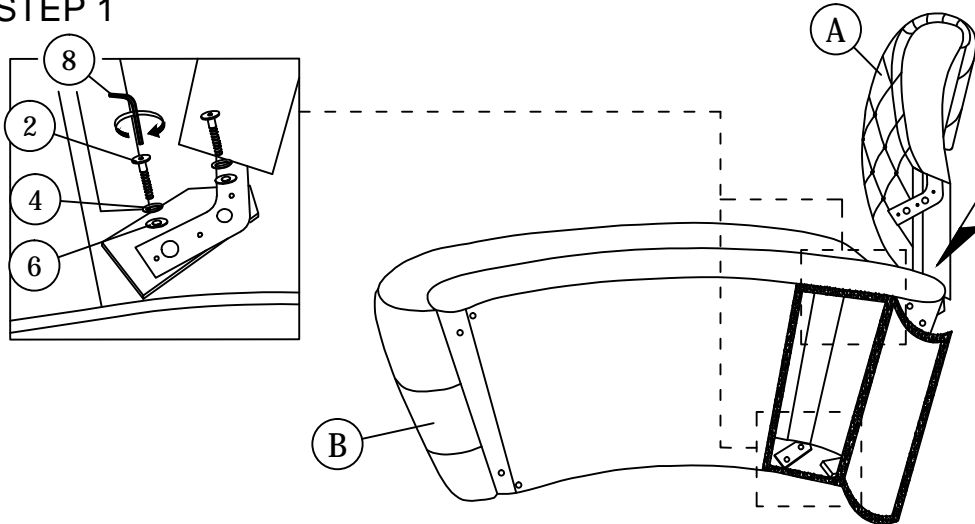
CAUTIONS : 1. Do not FULLY - TIGHTEN the nut or nut bolt until all nut or bolt is ready assembled.
2. Do not OVER - TIGHTEN the nut or bolt to avoid causing damages to the thread.
3. Keep all hardware parts out of reach of children.

NOTE : THE LIST AND QUANTITY SHOWN ARE FOR 1 UNIT ASSEMBLY.

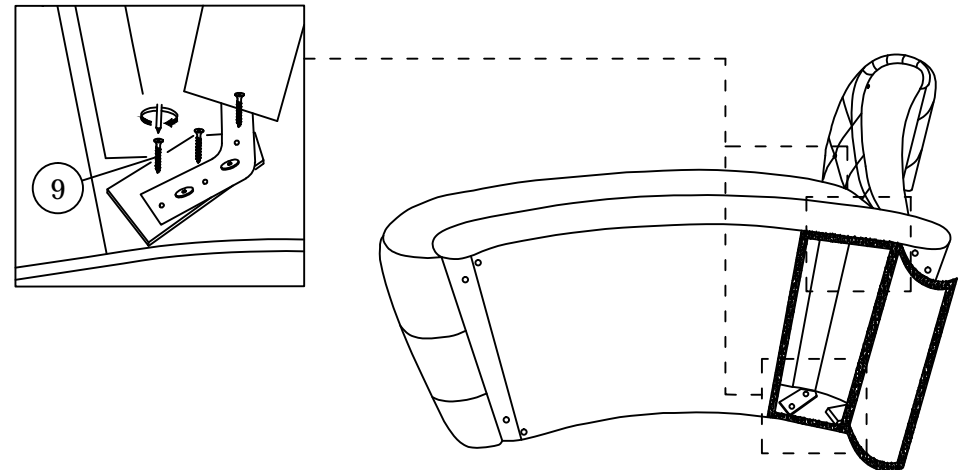
PART LIST		
ITEM	DESCRIPTION	QTY
A	CHAIR BACK	1 PC
B	CHAIR SEAT	1 PC
C	CHAIR LEG	4 PCS

PART LIST		
ITEM	DESCRIPTION	QTY
1	JCBC BOLT M6 x 30mm	8 PCS
2	JCBC BOLT M8 x 30mm	4 PCS
3	M6 SPRING WASHER	8 PCS
4	M8 SPRING WASHER	4 PCS
5	M6 FLAT WASHER	8 PCS
6	M8 FLAT WASHER	4 PCS
7	M4 ALLEN KEY (BALL SHAPE)	1 PC
8	M5 ALLEN KEY (BALL SHAPE)	1 PC
9	Wood Screw M4 x 32mm	6 pcs

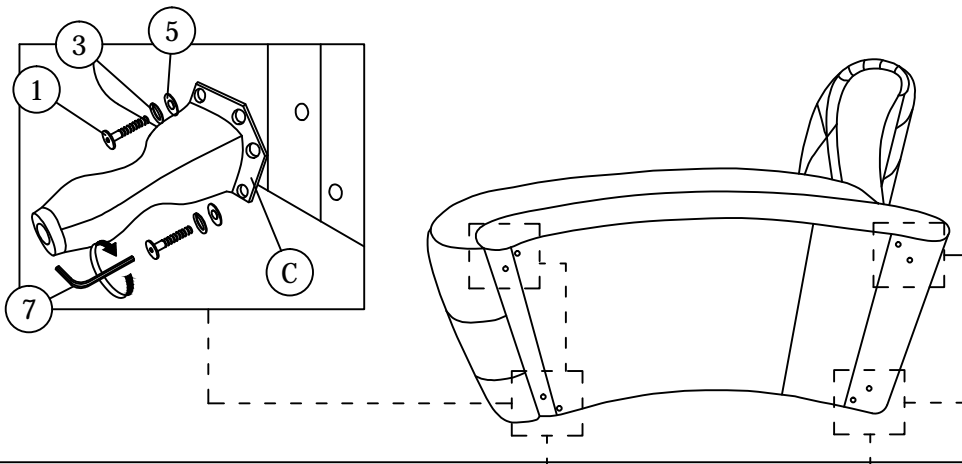
STEP 1



STEP 2



STEP 3



STEP 4

