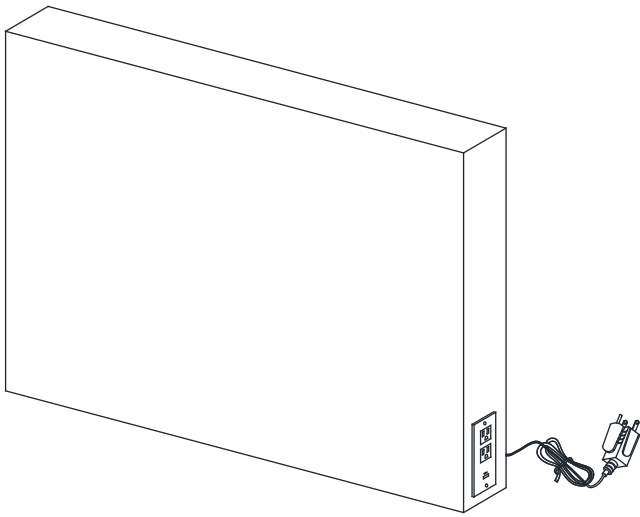


Thank you for your Purchase!



UPHOLSTERED HEADBOARD WITH USB AND OUTLETS

ASSEMBLY INSTRUCTIONS

Before You Begin: A power drill, Phillips screwdriver, and rubber hammer are required for permanent installation (Not Included).

Please identify all component parts and hardware pieces required before you begin. Carefully remove all of the components from the packaging and set aside for assembly. Assemble on a soft surface to prevent scratching during assembly.

Caution:

Tighten all components securely before use. Failure to do so may result in personal injury. DO NOT use any sharp objects to open plastic wrapped components as damage to product or components may result.

Warning:

CHOKING HAZARD - Small Parts Adult Assembly Required

Injury may result from tipping furniture. You must install the Tipping Restraint Hardware with the unit to prevent the unit from tipping and causing any accidental injury, instability, death, or damage. The tipping restraint is intended only as a safety measure. It is not a substitute for proper adult supervision.

This tipping restraint is not an earthquake restraint. If you wish to add the extra security of earthquake restraints, they must be purchased and installed separately.

Serious or fatal crushing injuries can occur from furniture tipping over. To prevent furniture from tipping over, it must be permanently fixed to the wall. Fixing devices for the wall are not included since different wall materials require different types of fixing devices. Use fixing devices suitable for the walls in your home.

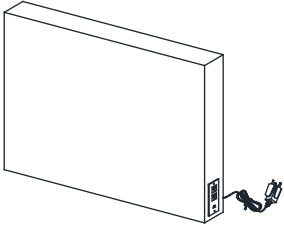
Failure to detach this restraint before moving furniture may result in injury or damage.

DO NOT ALLOW CHILDREN TO CLIMB ON FURNITURE.



Part

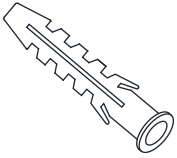
Part 1: Headboard



1 pc

Hardware

NOTE: A power drill, Phillips screwdriver, and rubber hammer are required for permanent installation (Not Included).



Wall Anchor 6mm

Part A 2 pcs

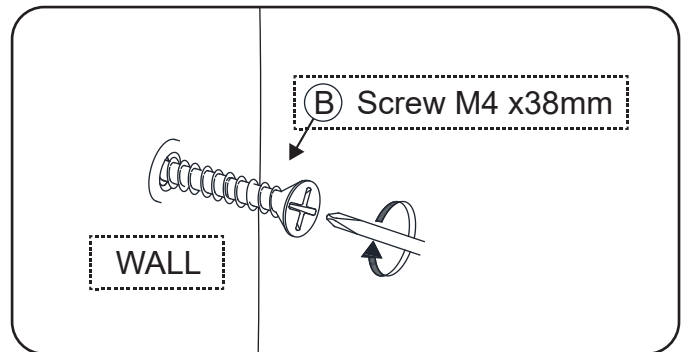
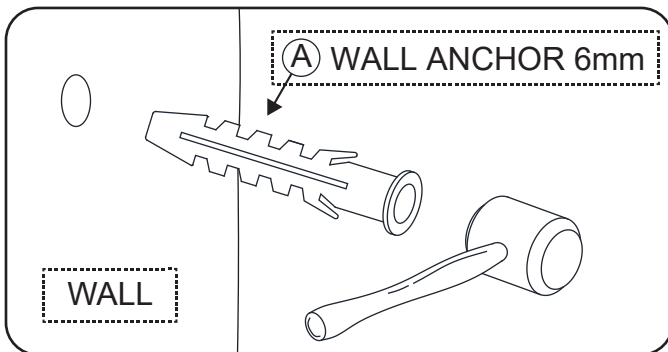


Screw M4 x 38mm

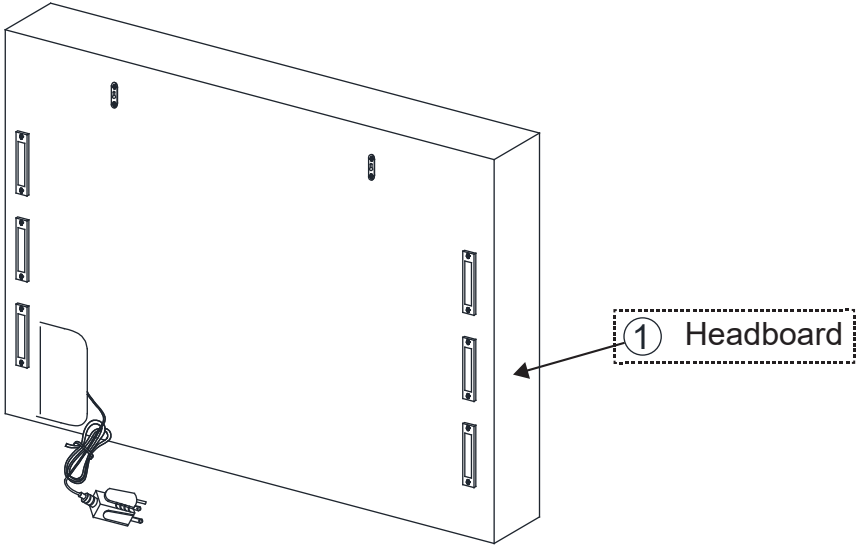
Part B 2 pcs

For Permanent Installation

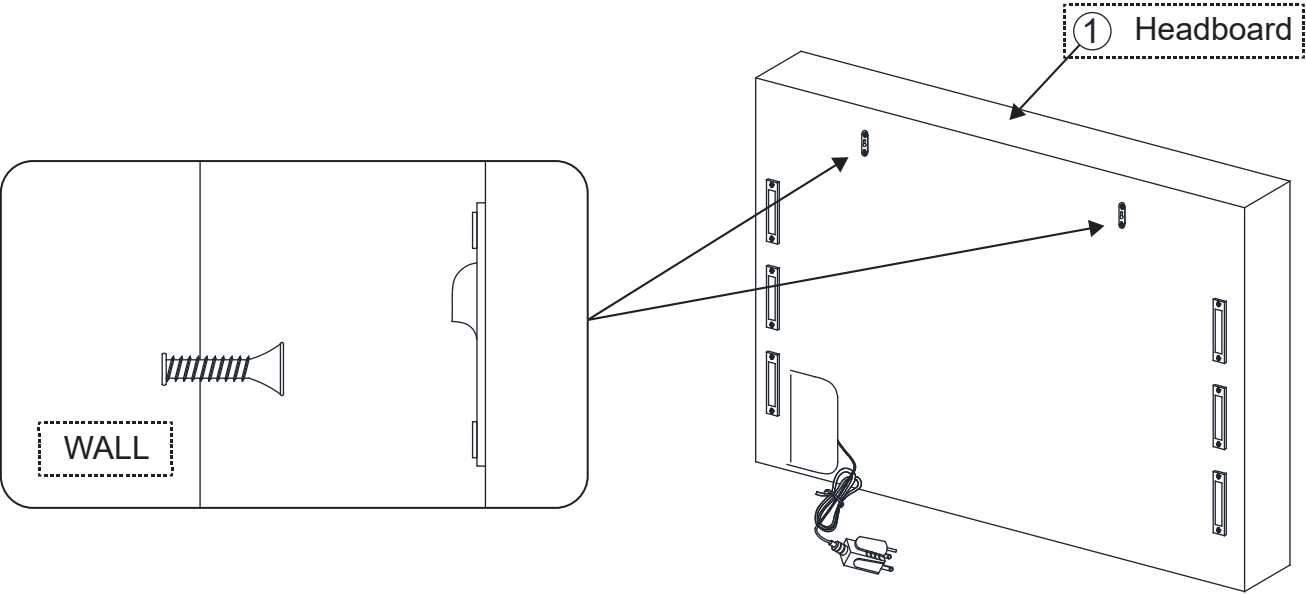
Step 1: Drill two holes in the wall 16.5 inches apart. Use a hammer to gently insert the wall anchors (Part A) into the wall. Using a Phillips screwdriver, insert the screws (Part B) into the wall anchor and tighten, leaving 1/2" extended outside the hole.



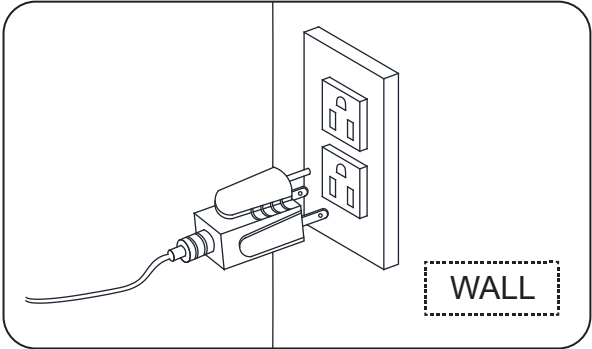
Step 2: Unwind power cord from the pouch on the back of the headboard.



Step 3: Align the brackets at the top of the headboard with the screws in the wall then attach the headboard.

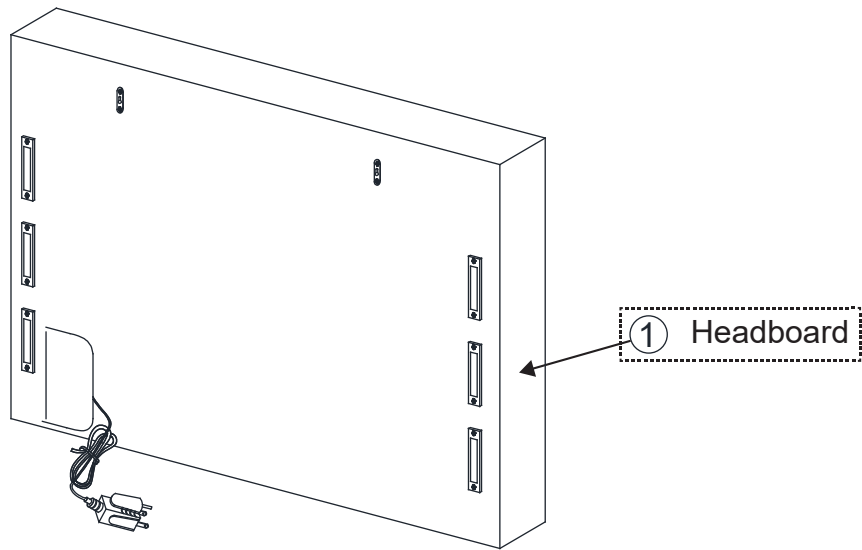


Step 4: Plug the power cord into the wall outlet.

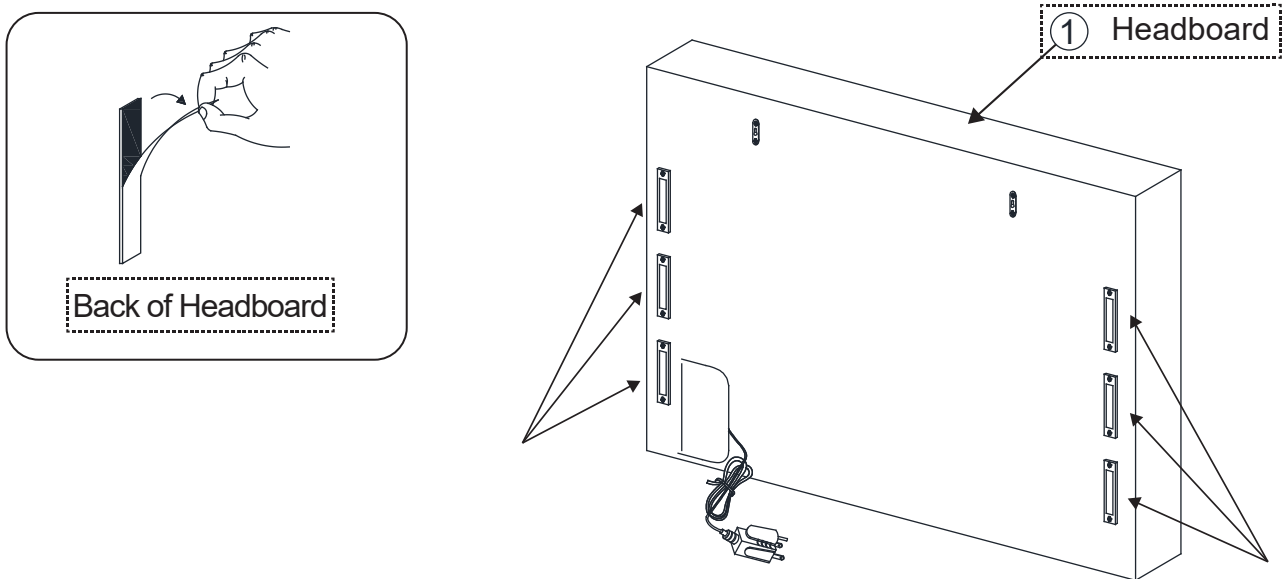


For Temporary Installation

Step 1: Unwind power cord from the pouch on the back of the headboard.



Step 2: Remove the protective film from the 6 adhesive strips on the back of the headboard, place in your desired location, then press firmly to the wall.



Step 3: Plug the power cord into the wall outlet.

