

Limited Warranty and Care Instructions

LIMITED ONE YEAR WARRANTY (NON-TRANSFERABLE)

This product is covered under United General Supply's (UGS) one (1) year limited warranty. To the original purchaser of this piece of furniture, cooler or accessory; UGS warrants that it will be free from defects in material and workmanship for up to one year from the date of purchase under normal use and proper care.

The limited warranty does not cover this piece of furniture, cooler or accessory for commercial purposes, abusive use, damage by modification, freeze damage, rust, fading and issues caused by improper care.

For minor defects or missing parts/hardware, please contact customer service immediately upon purchase. Please do not return product to the store unless the product is irreparable. A customer service agent may help determine whether the damage is repairable and will provide further instructions.

For returns and refunds, please refer to your local store with proof of purchase.

Proof of purchase (date register receipt) will be required for warranty claims.

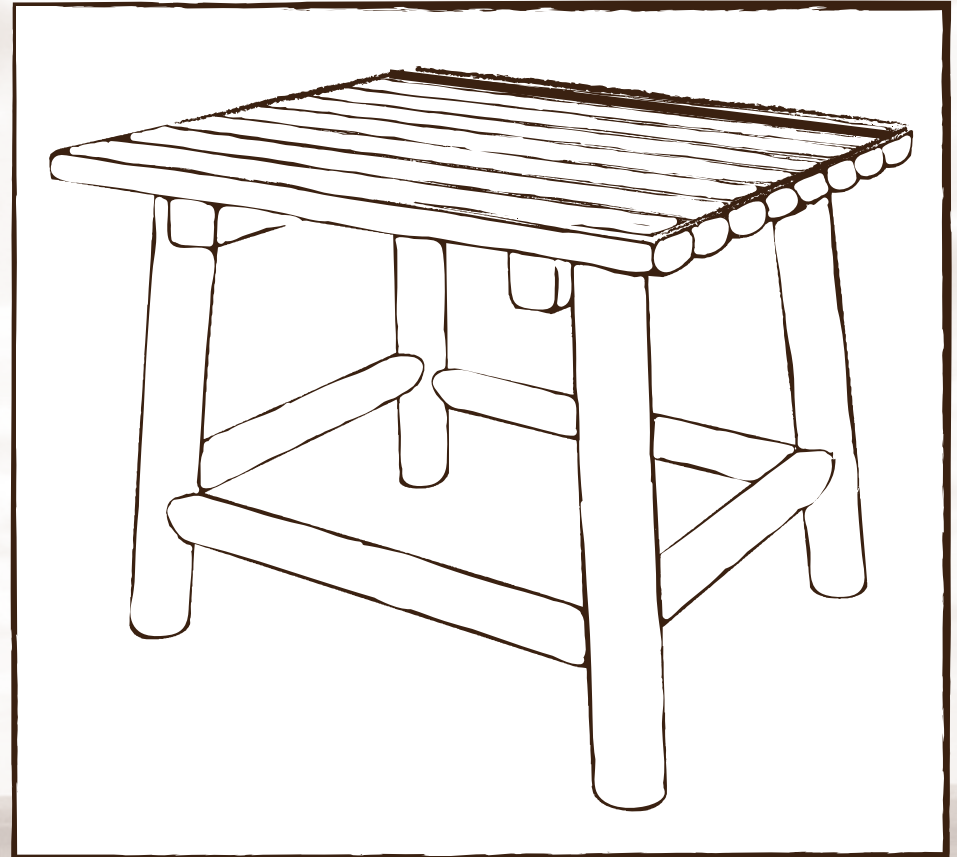
The use of power tools during assembly may void this warranty.

PROPER CARE INSTRUCTIONS:

If left untreated, wood will naturally weather. During long periods of non-use, store furniture or cooler in covered and dry place. For the least maintenance, place your furniture, cooler, or accessory under a covered area.

To preserve and maintain the original finish of furniture, we recommend that a tight lacquer coating be applied every 4 to 6 months depending on the seasons.

We recommended an exterior polyurethane product that features a clear satin or semi-gloss finish and a fast drying process.



Instruction Manual

Please keep this instruction manual for future reference.

For warranty information, please refer to the back page of this instruction manual.

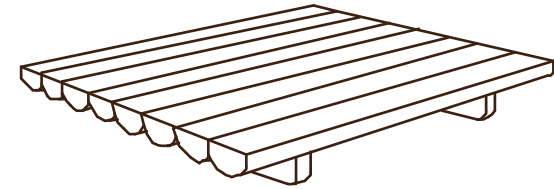
Read Instruction Manual Before Assembly.

Make sure all parts and hardware are present before beginning assembly.

PARTS AND HARDWARE LIST



1 TABLE TOP



X 1PC

2 SHORT SUPPORT BEAM



X 2PCS

3 LONG SUPPORT BEAM



X 2PCS

4 TABLE LEG



X 2PCS

5 TABLE LEG



X 2PCS

A NUT & BOLT



X 4PCS

B SCREW



X 8PCS

Power tools are not recommended while assembling this product.

Tools Required for Assembly

Tools Included



Mallet



Phillips
Screwdriver



Wrench

13mm
Plumber's
Socket



IMPORTANT: READ CAREFULLY BEFORE BEGINNING

1. Do not tighten bolts until fully assembled.
2. Recessed holes to face outward.
3. Insert bolts with washer and secure with washer and nut.
4. Pre-checked side must always face downward or inward.



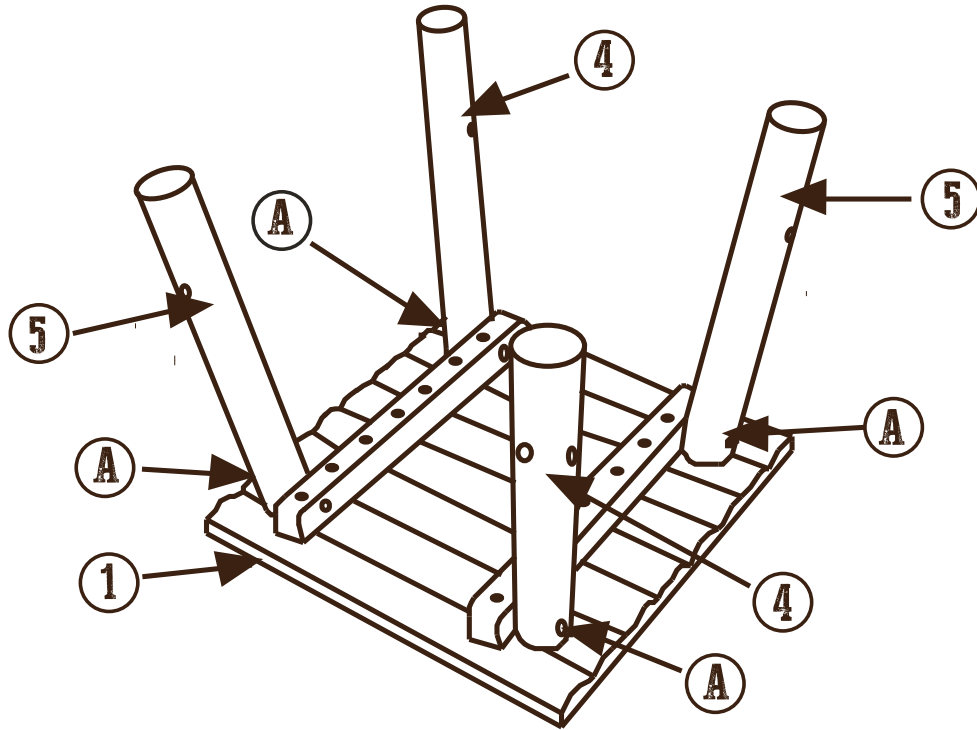
Recessed Hole



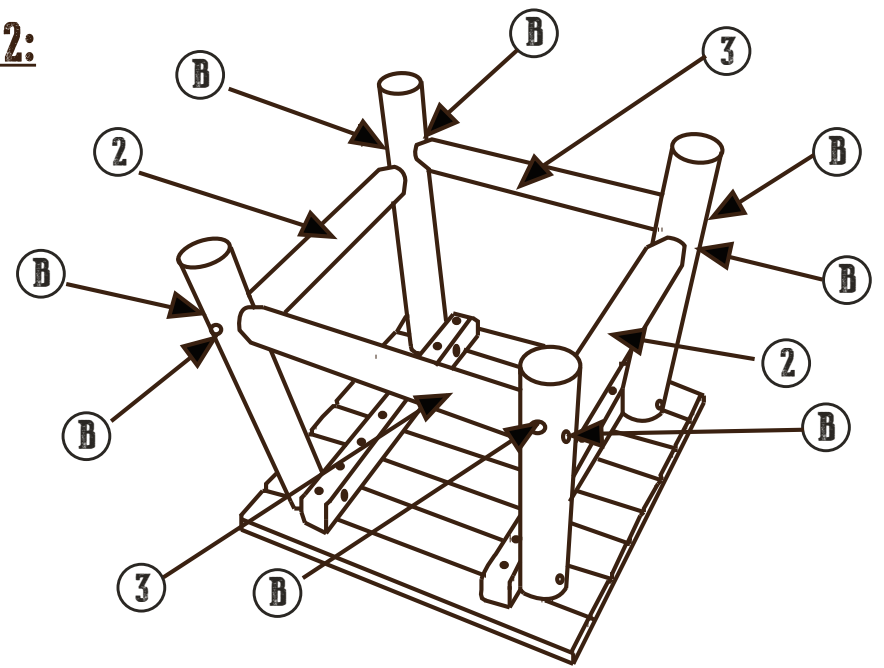
Pre-Checked

ASSEMBLY INSTRUCTIONS

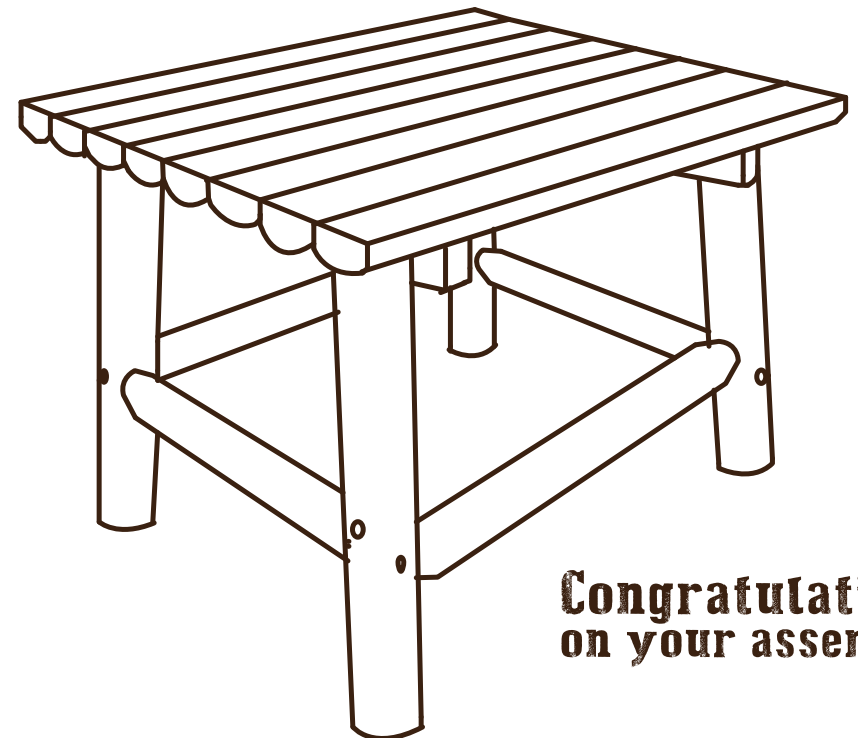
Step 1: KEEP ALL NUTS & BOLTS LOOSE DURING ASSEMBLY.



Step 2:



Step 3: TIGHTEN ALL SCREWS



**Congratulations
on your assembly!**



Rocker



Cooler



Rocker



Swing



Swing



Bench



Double Rocker



Bar Chair



Statted Bar Table



Windmill