

If there are any missing parts, damaged packaging, or broken panels, please contact our after-sales email for assistance: furni-service@outlook.com

Note: To expedite the resolution of your issue, please provide your order number and relevant photos.

Thank you!

CONTACT US!

Do Not return this product

If you encounter any missing parts, damaged packaging, or broken panels, please contact our customer service team for assistance:

①



Email:

furni-service@outlook.com

②



Amazon Message

③



Call or Message:

+1 (909) 960-3666

④

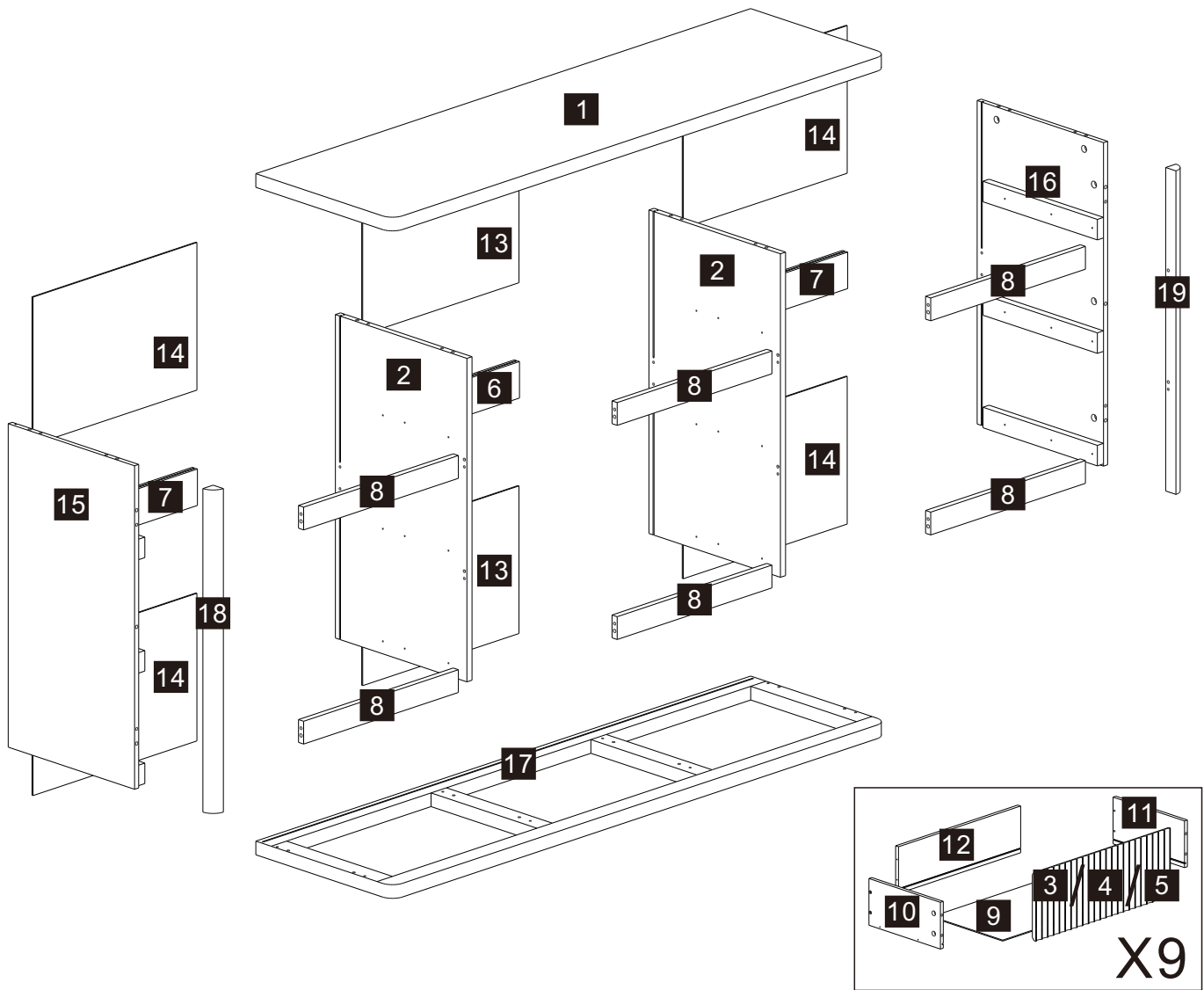


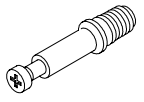
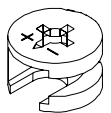
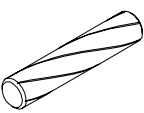

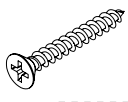
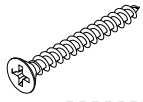
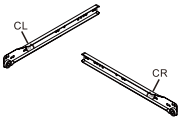
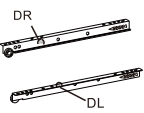
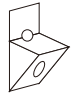
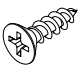
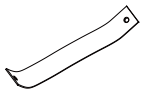
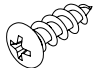
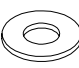
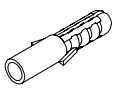
WhatsApp

For faster resolution:

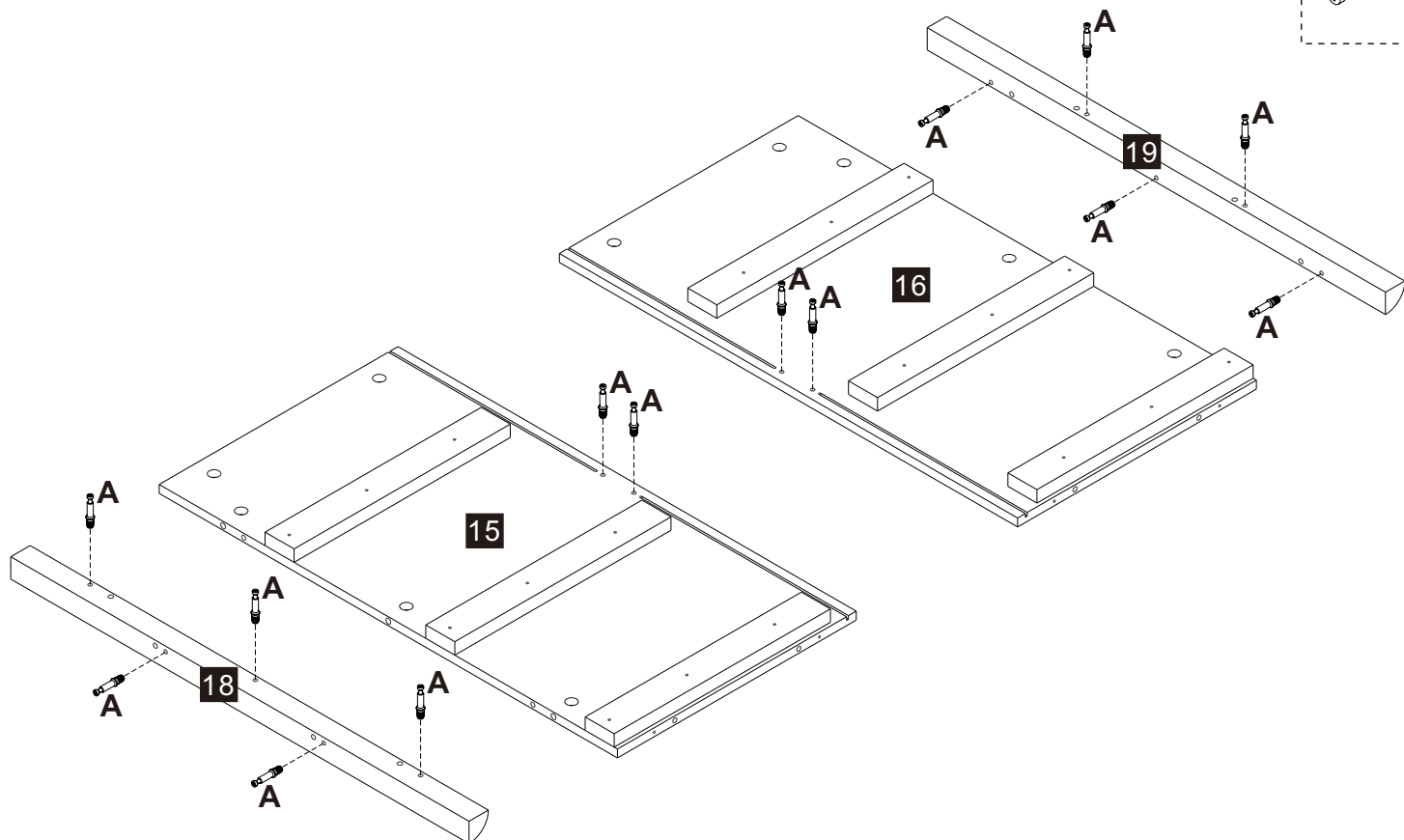
① Include your **order number** ② Attach **clear photos** of the issue

We appreciate your patience and cooperation, and we'll do our best to resolve your concern promptly. Thank you!

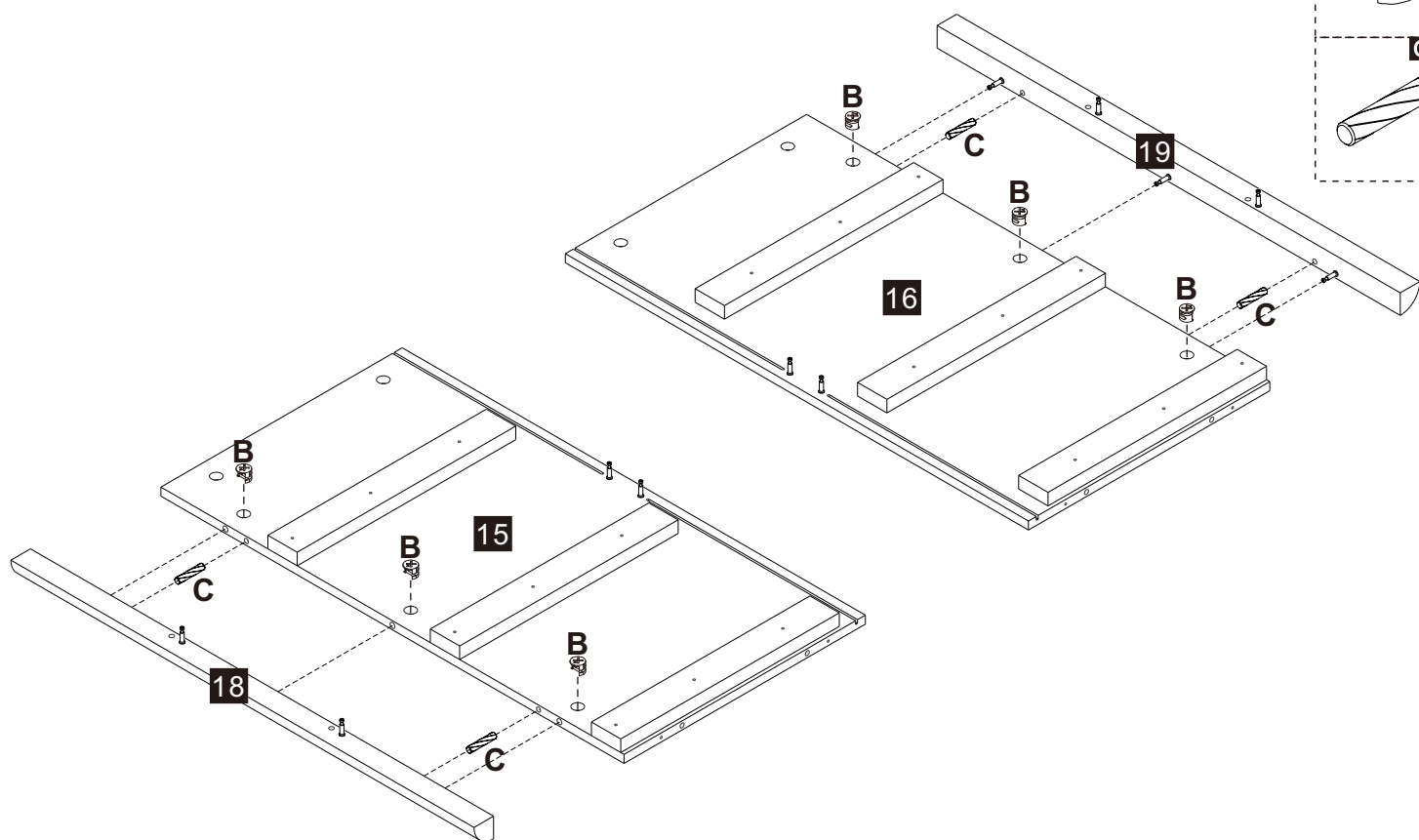


A x74 	B x74 	C x34 	D x90  3x12mm	E x36  4x30mm	F x10  4x35mm	G x 9 
G x 9 	H x16 	I x16  3x14mm	J x 2 	K x 2  4x12mm	L x 4 	M x 2 

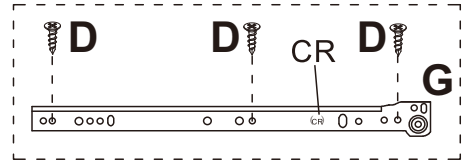
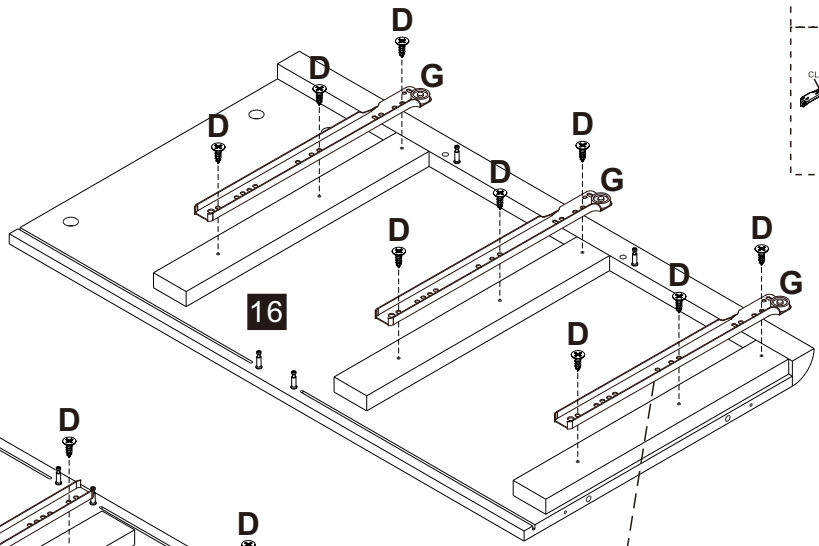
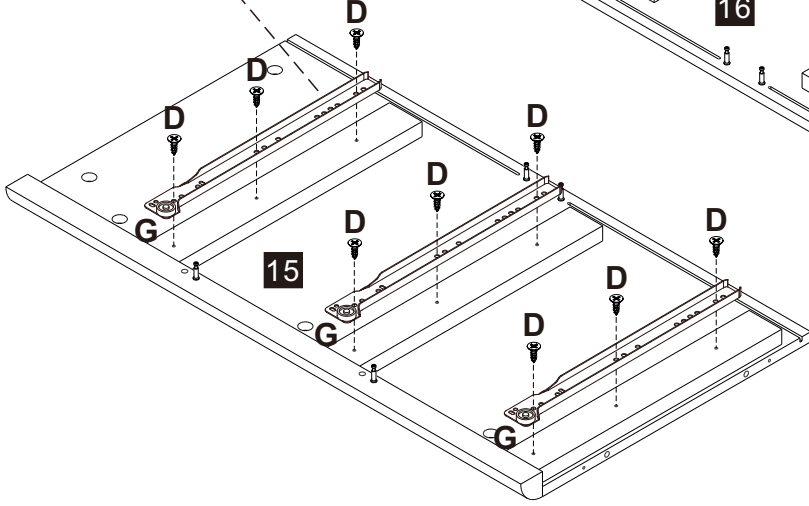
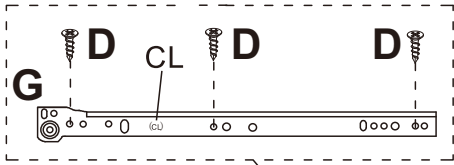
1



2



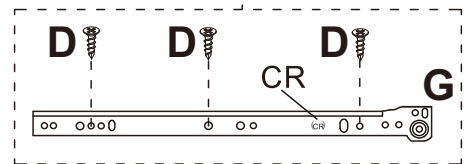
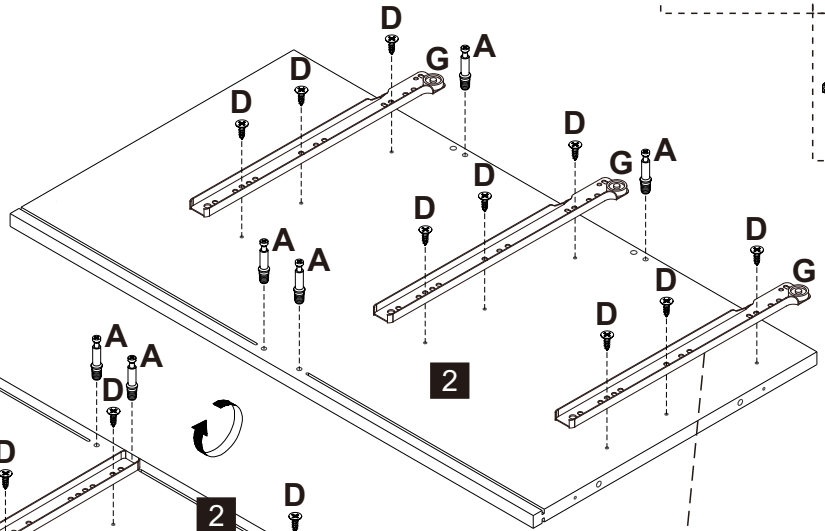
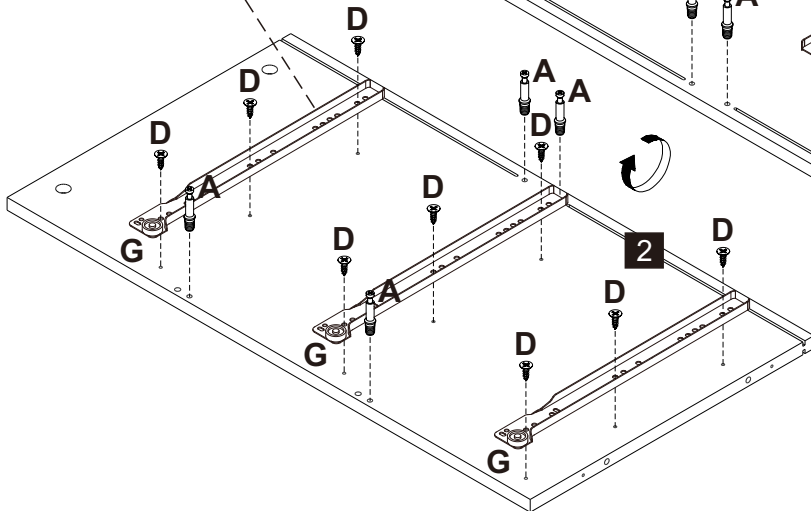
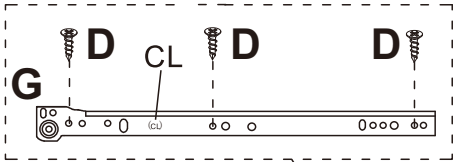
3



D x18

G x 3

4



A x16

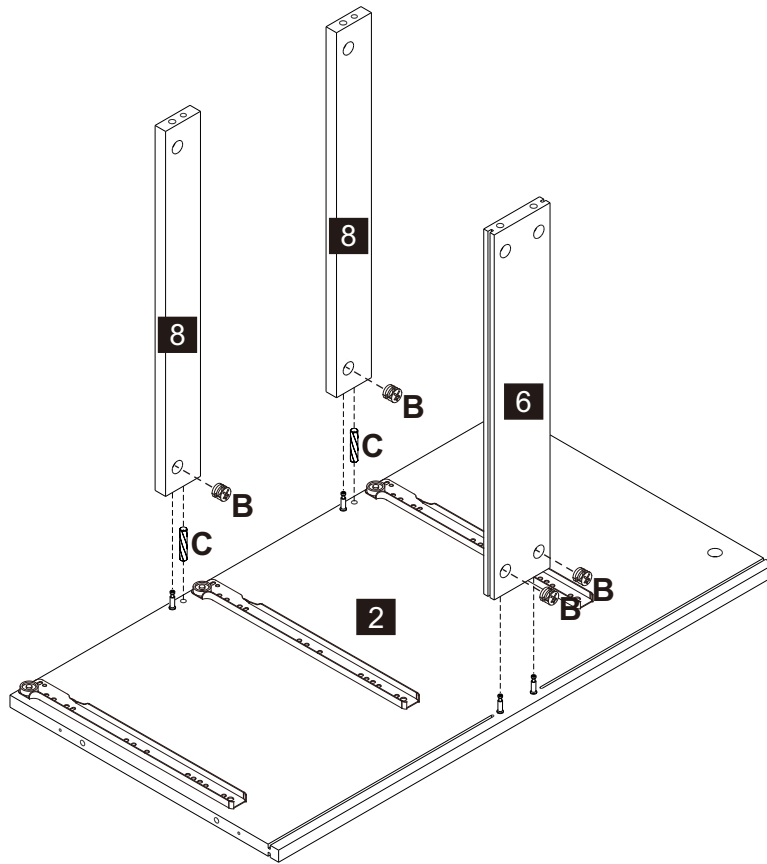
D x36

G x 6

x2

Please flip it over. The tracks need to be installed on both sides.

5



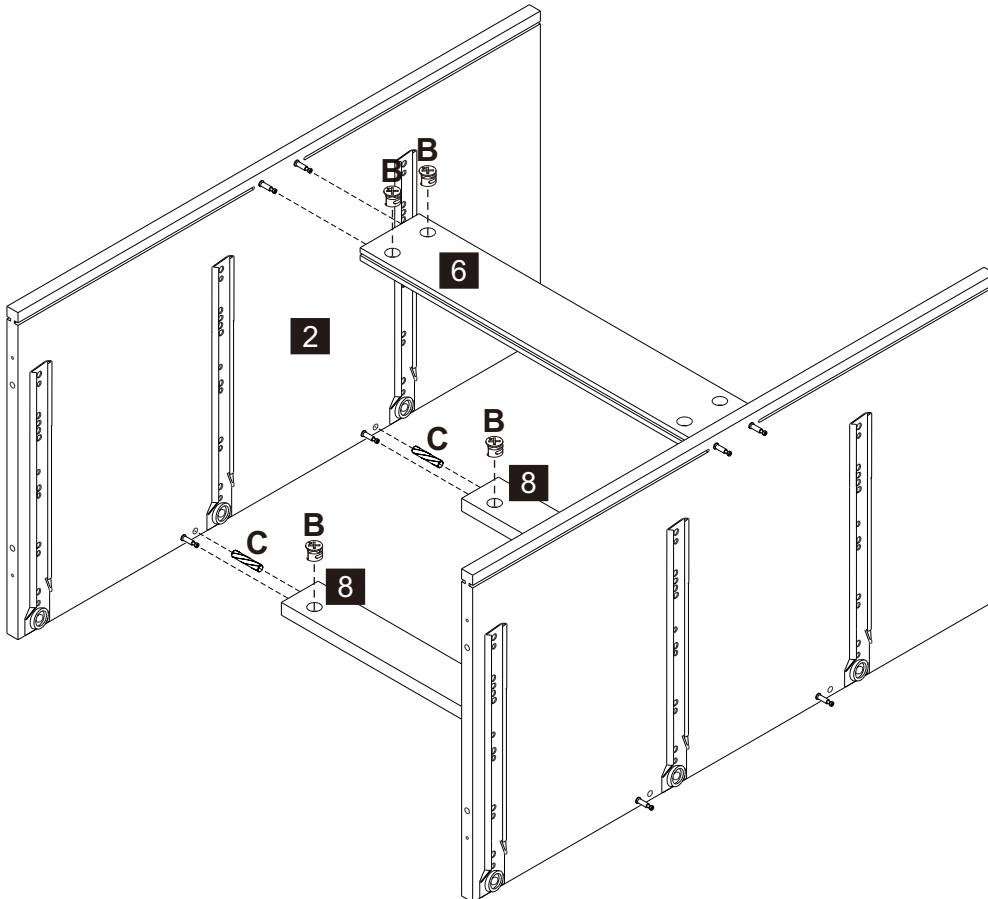
B x 4



C x 2



6



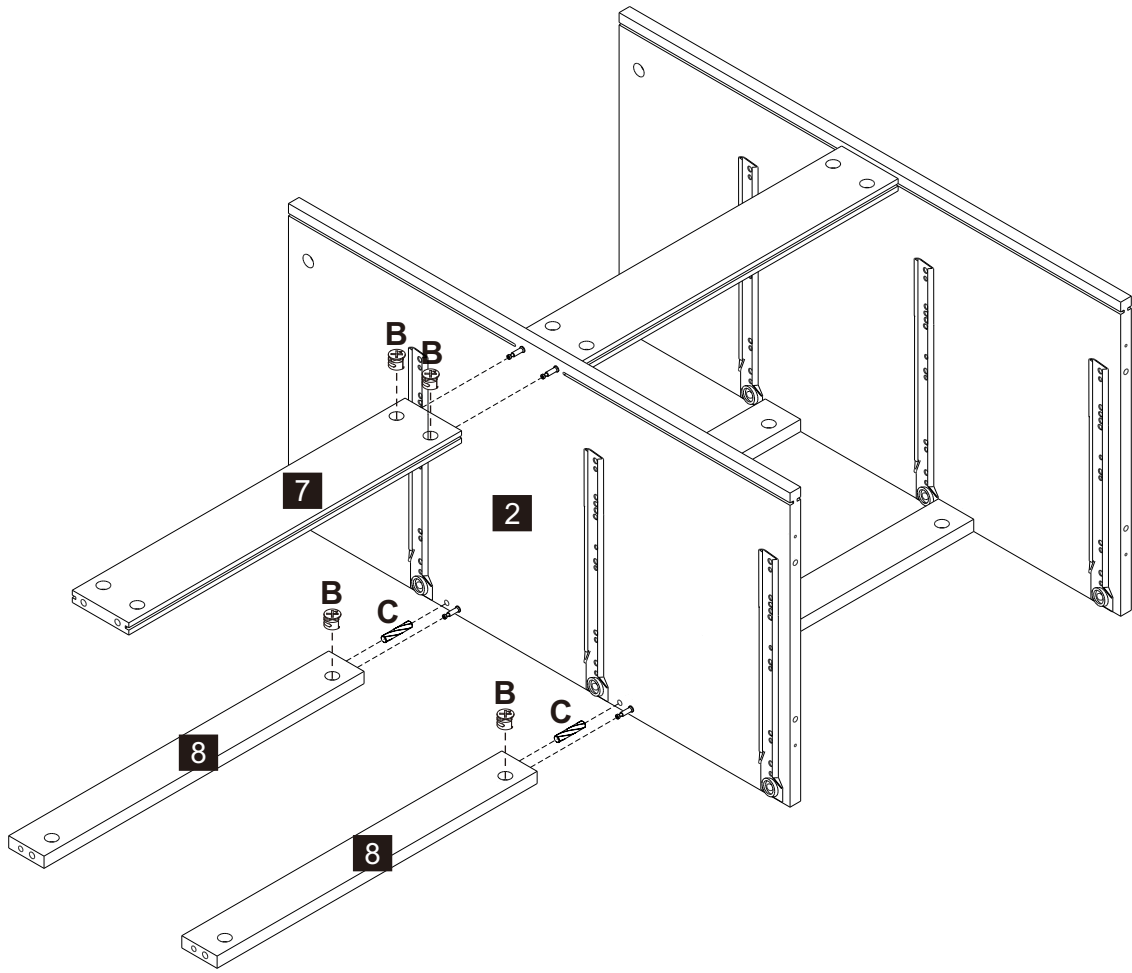
B x 4



C x 2



7



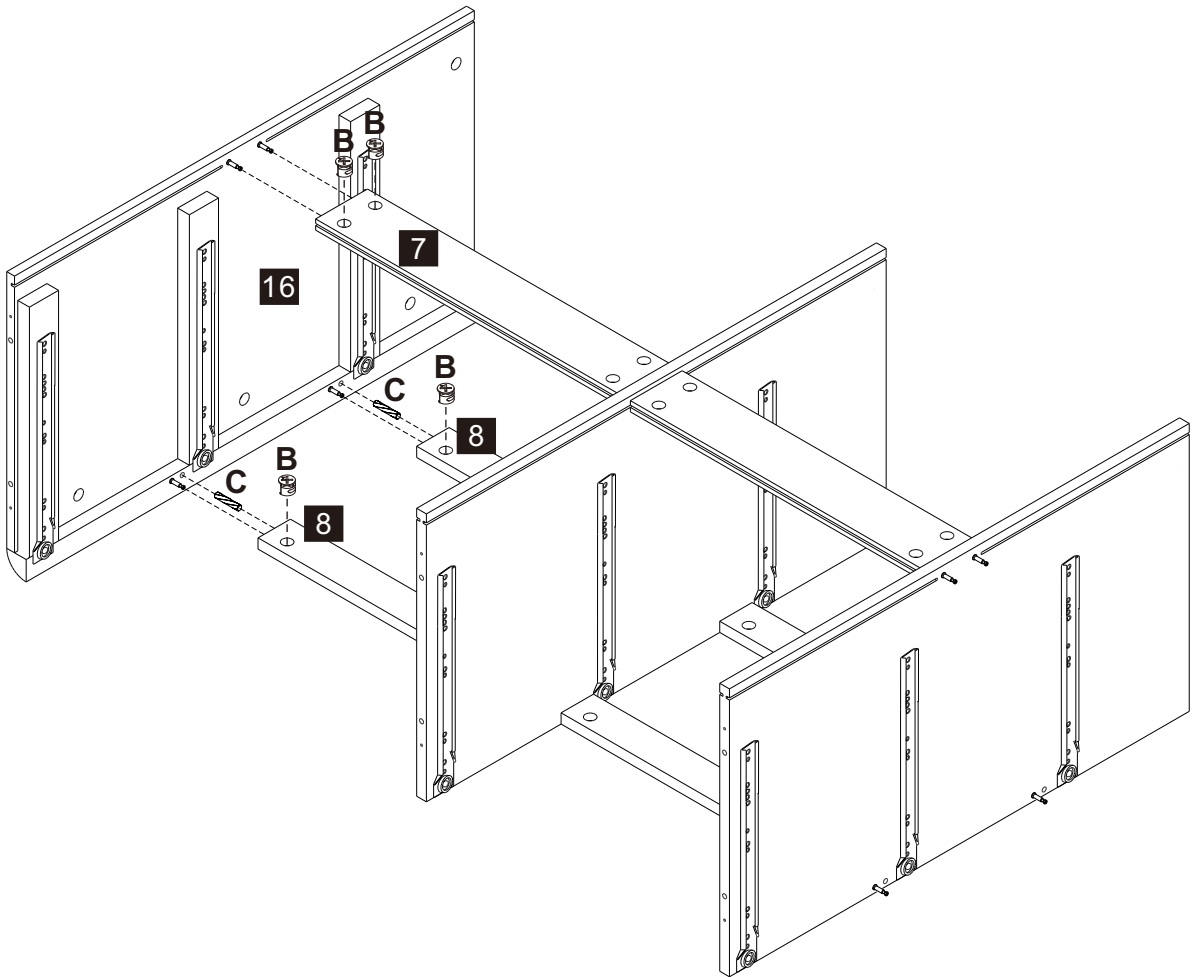
B x 4



C x 2



8



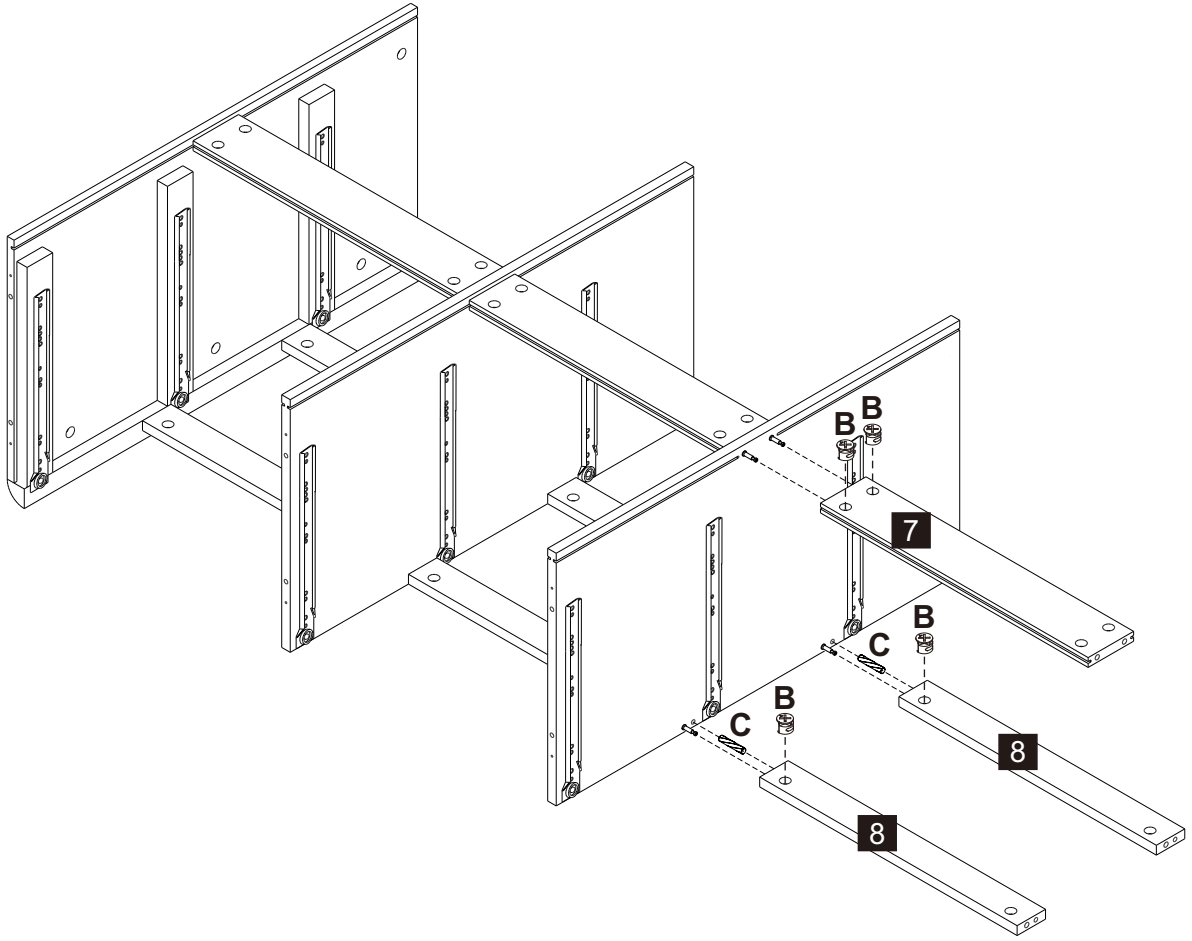
B x 4



C x 2



9



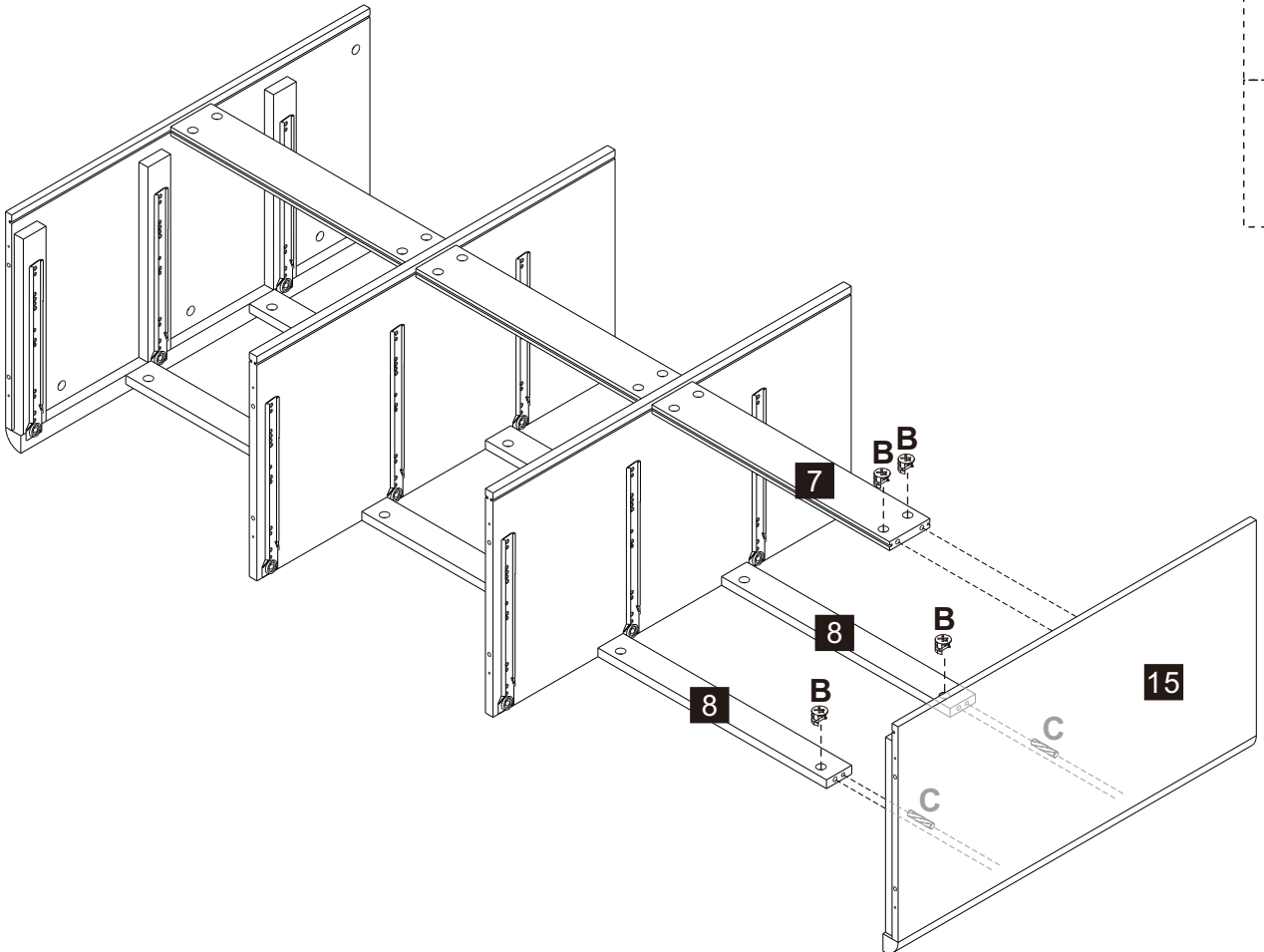
B x 4



C x 2



10



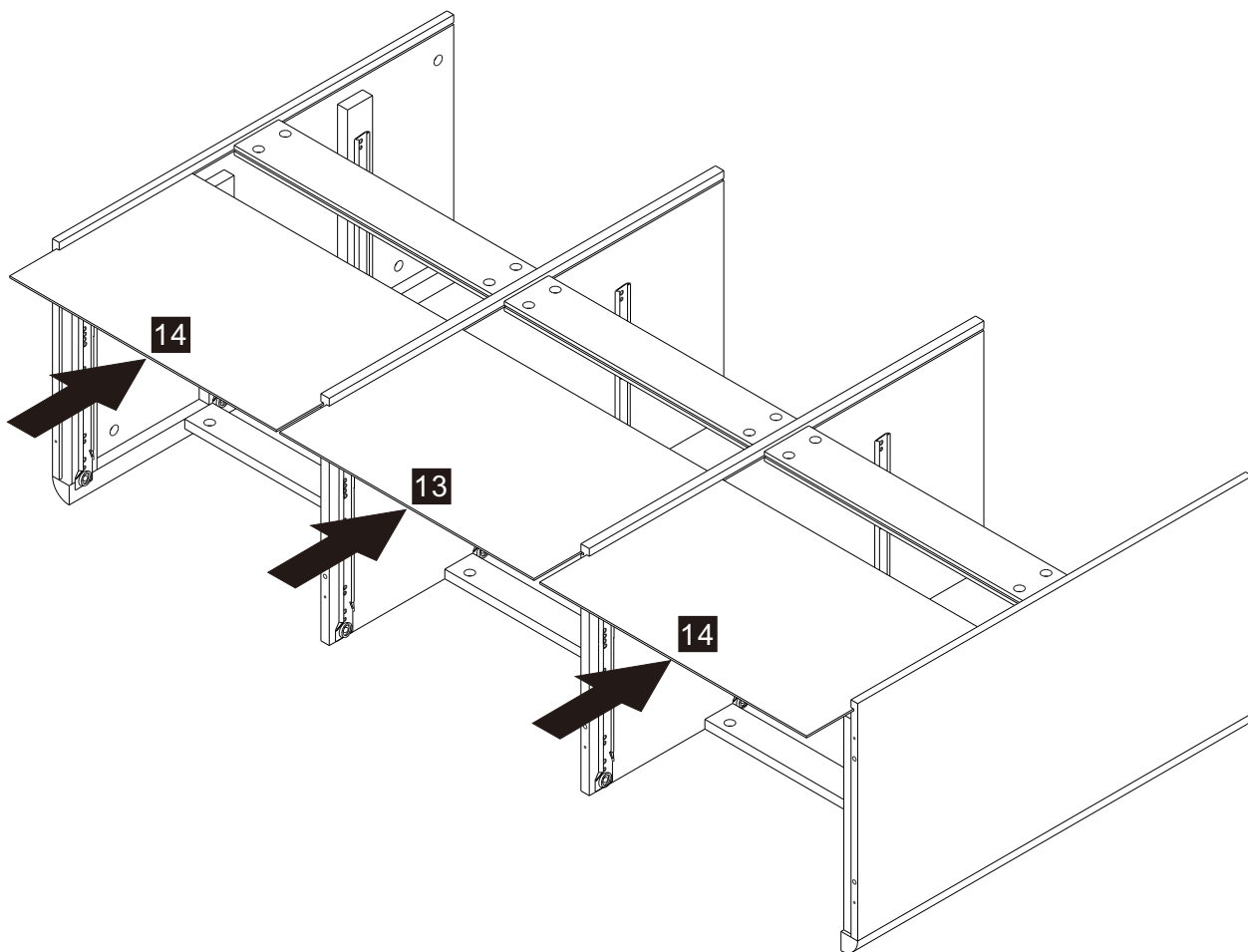
B x 4



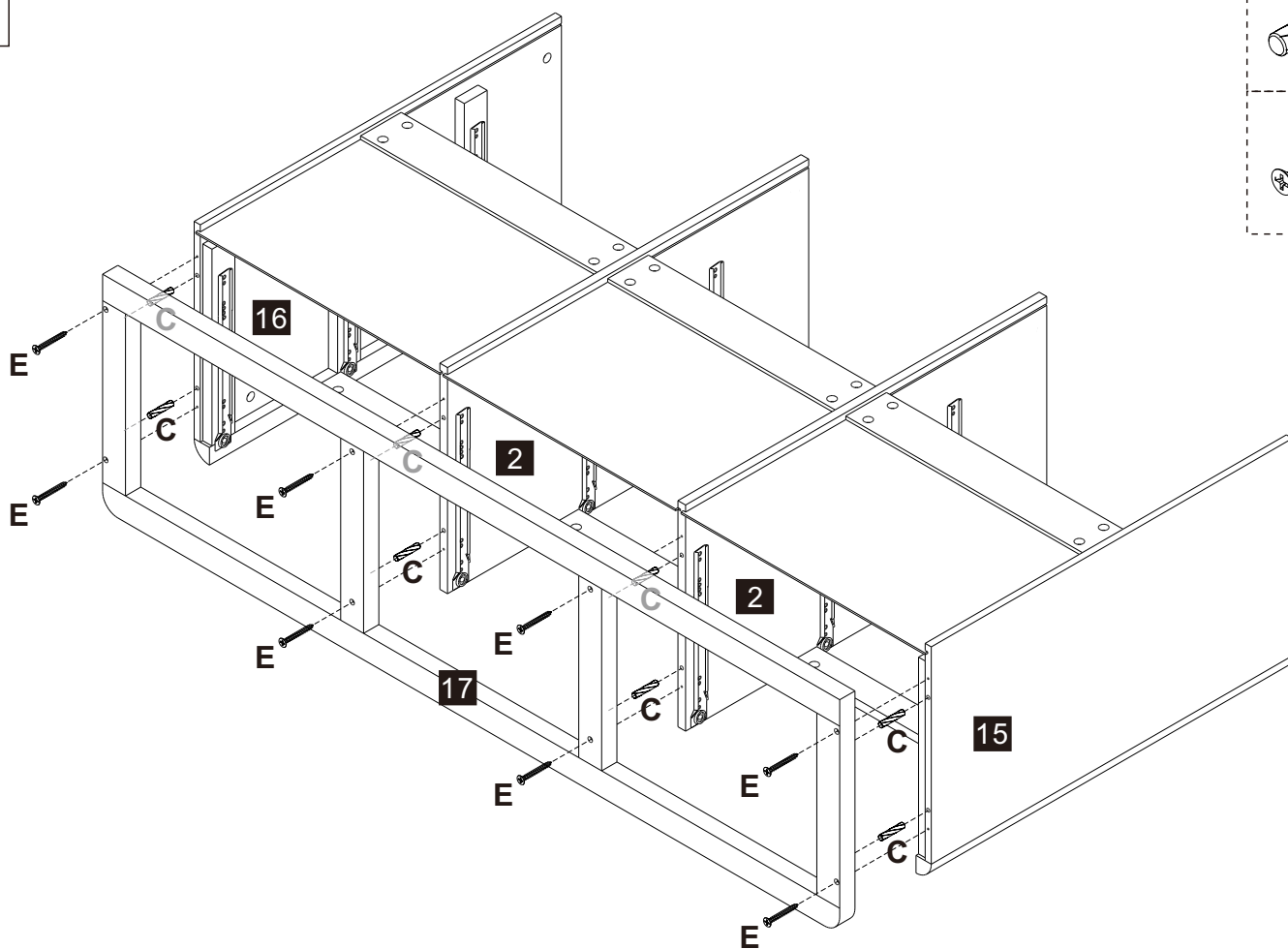
C x 2



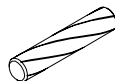
11



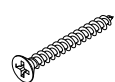
12



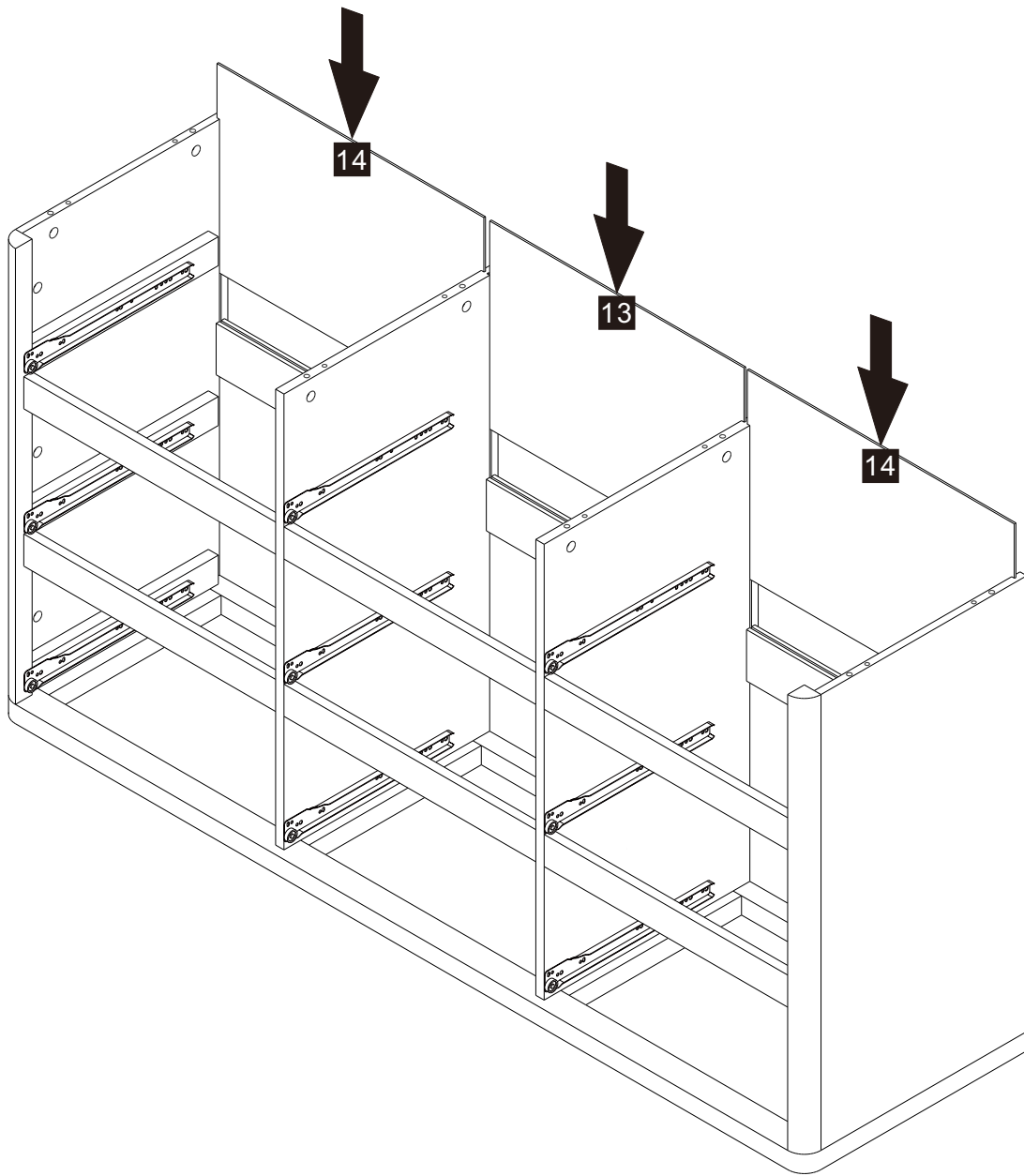
C x 8



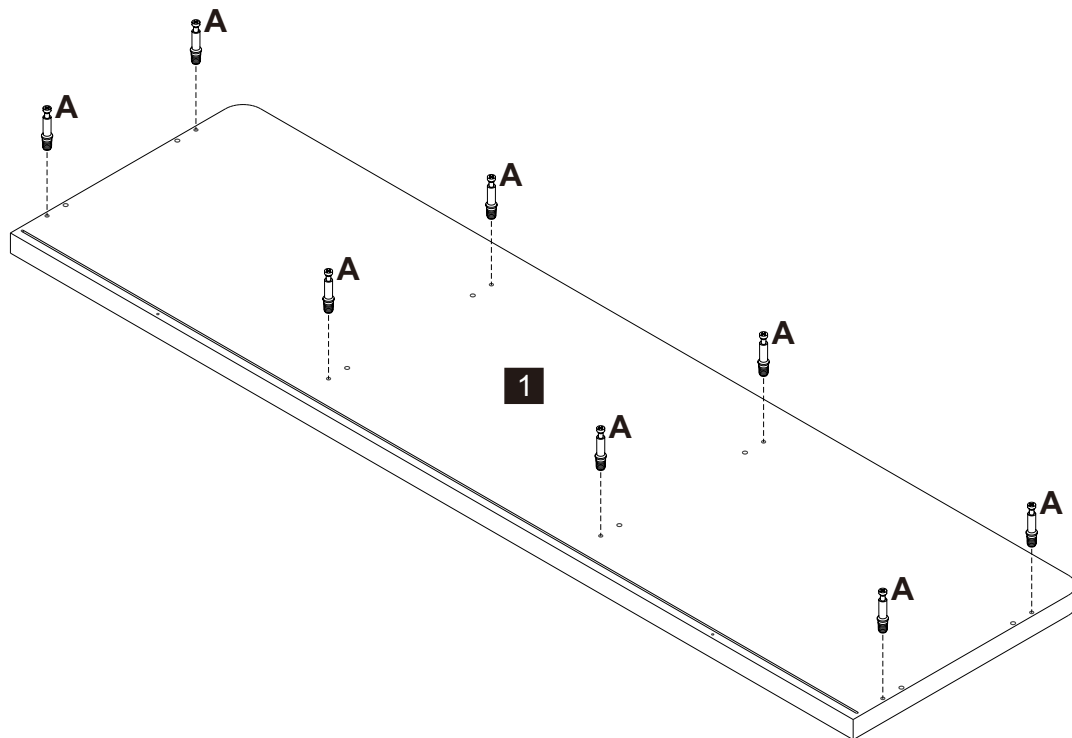
E x 8



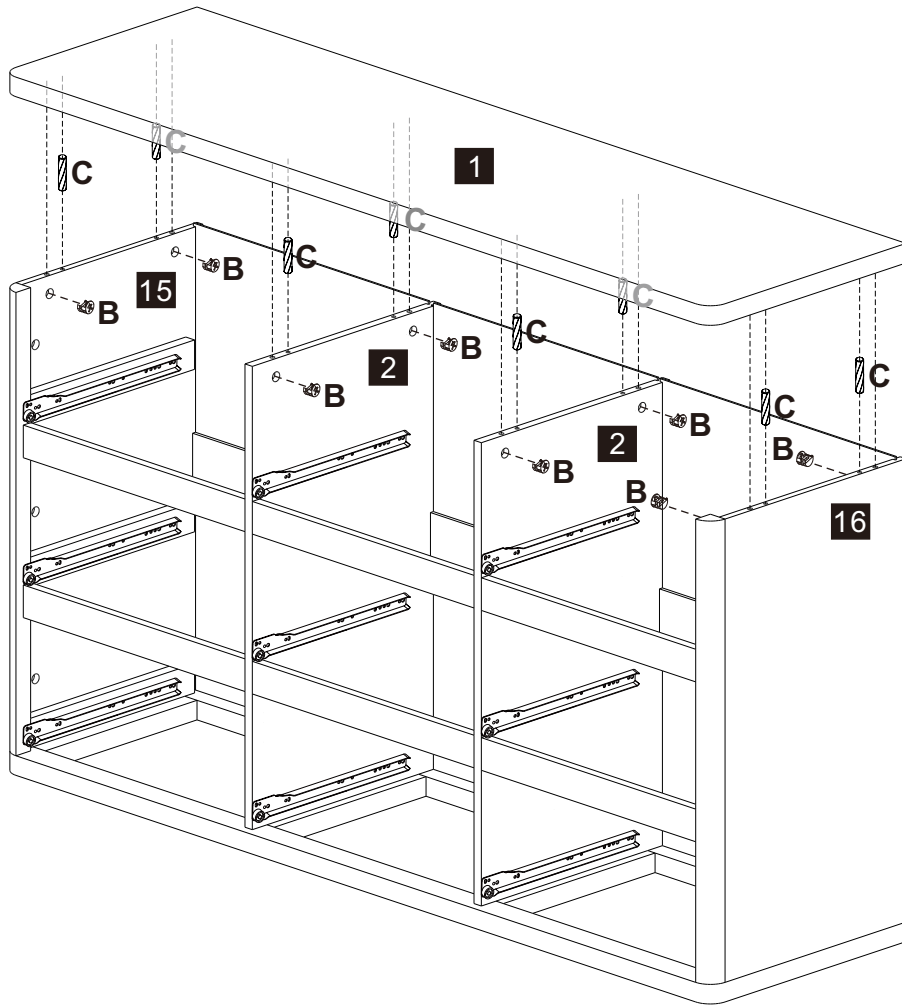
13



14



15



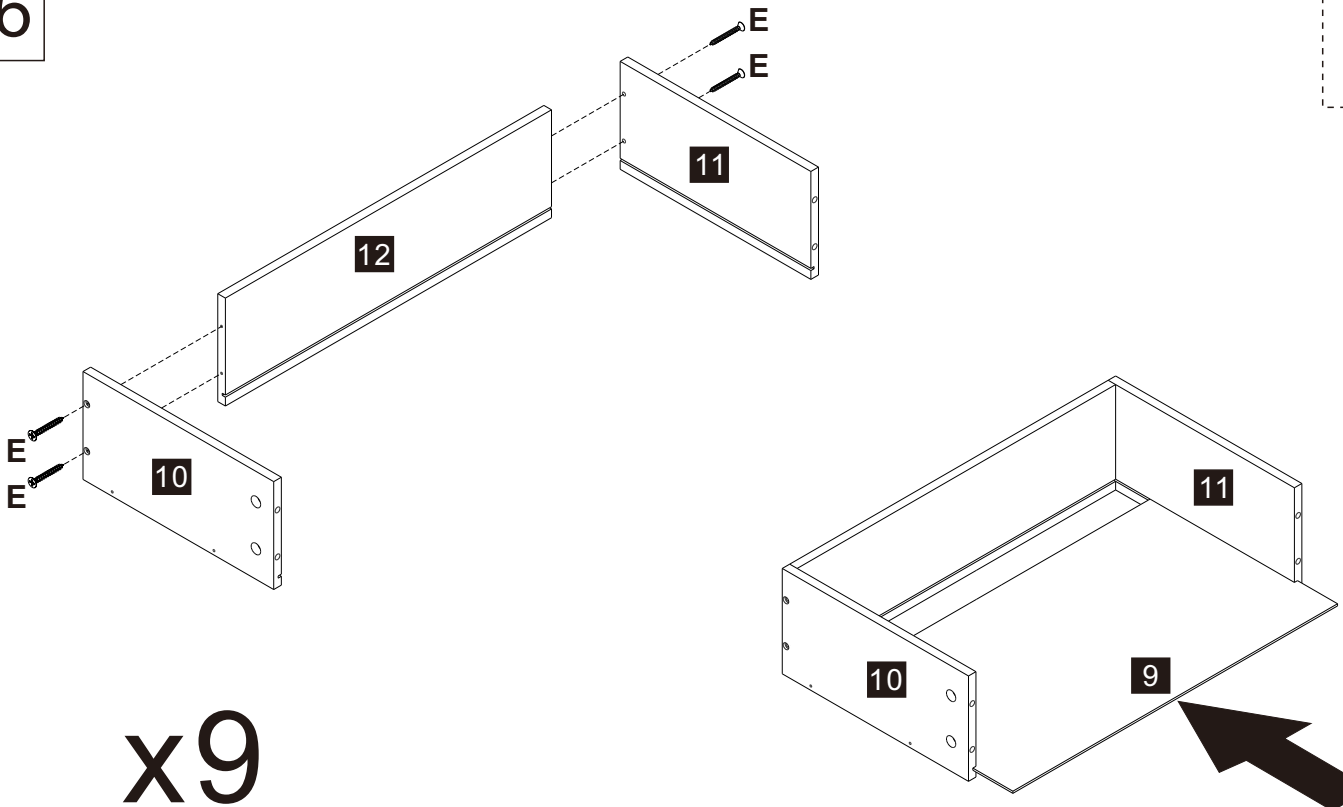
B x 8



C x 8



16

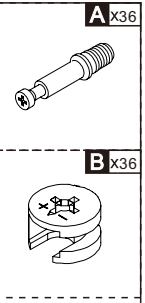
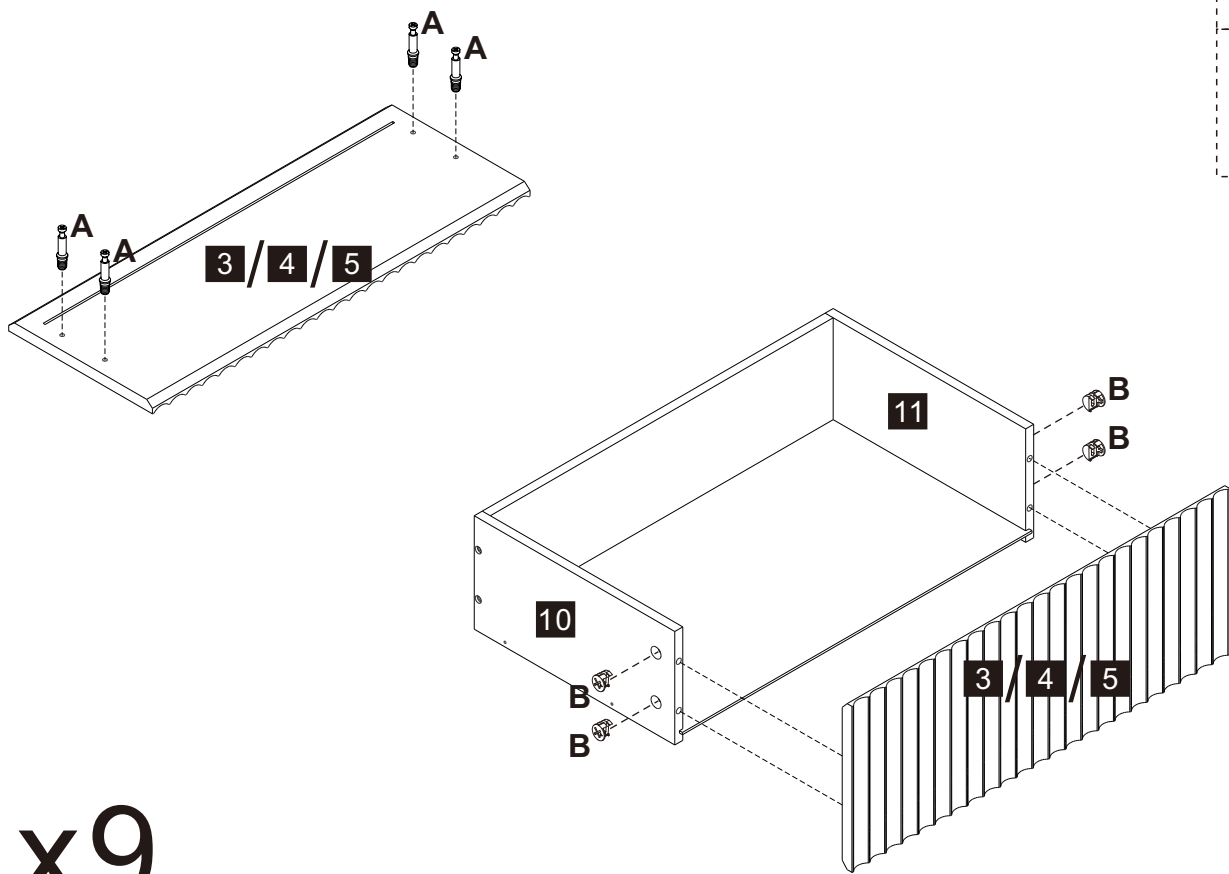


E x 36



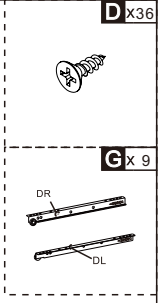
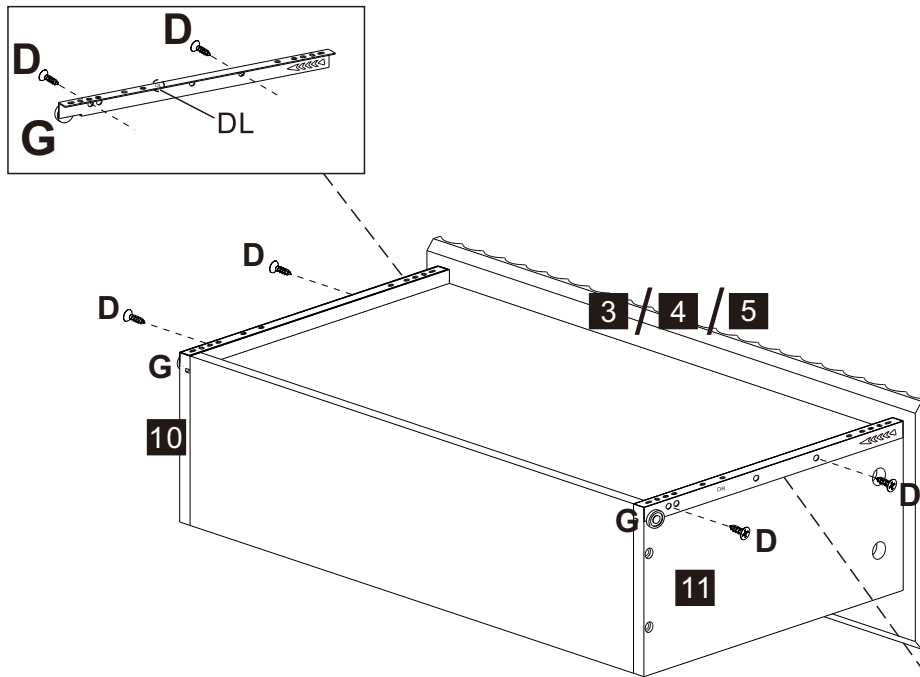
x9

17



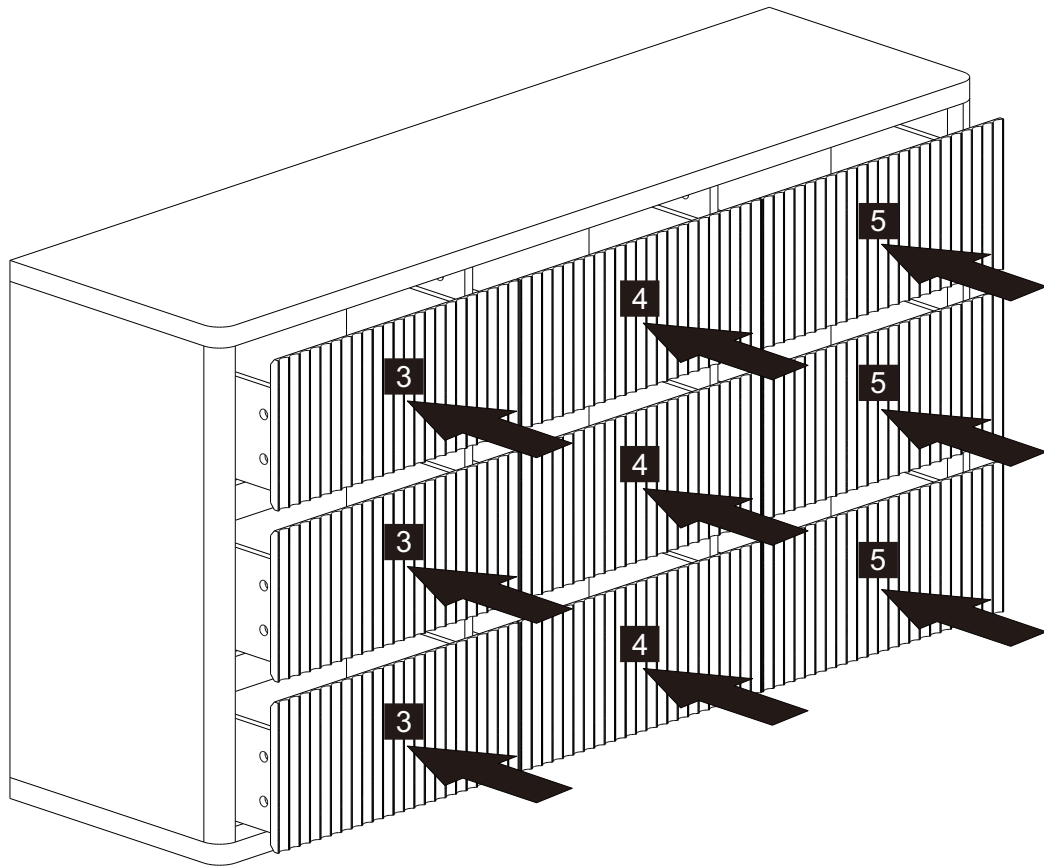
x9

18

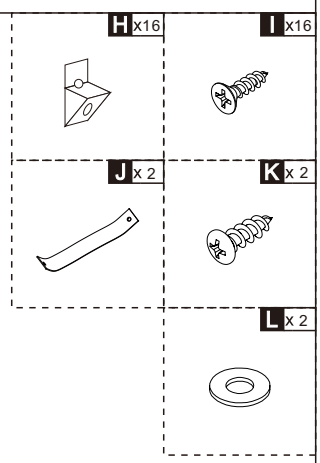
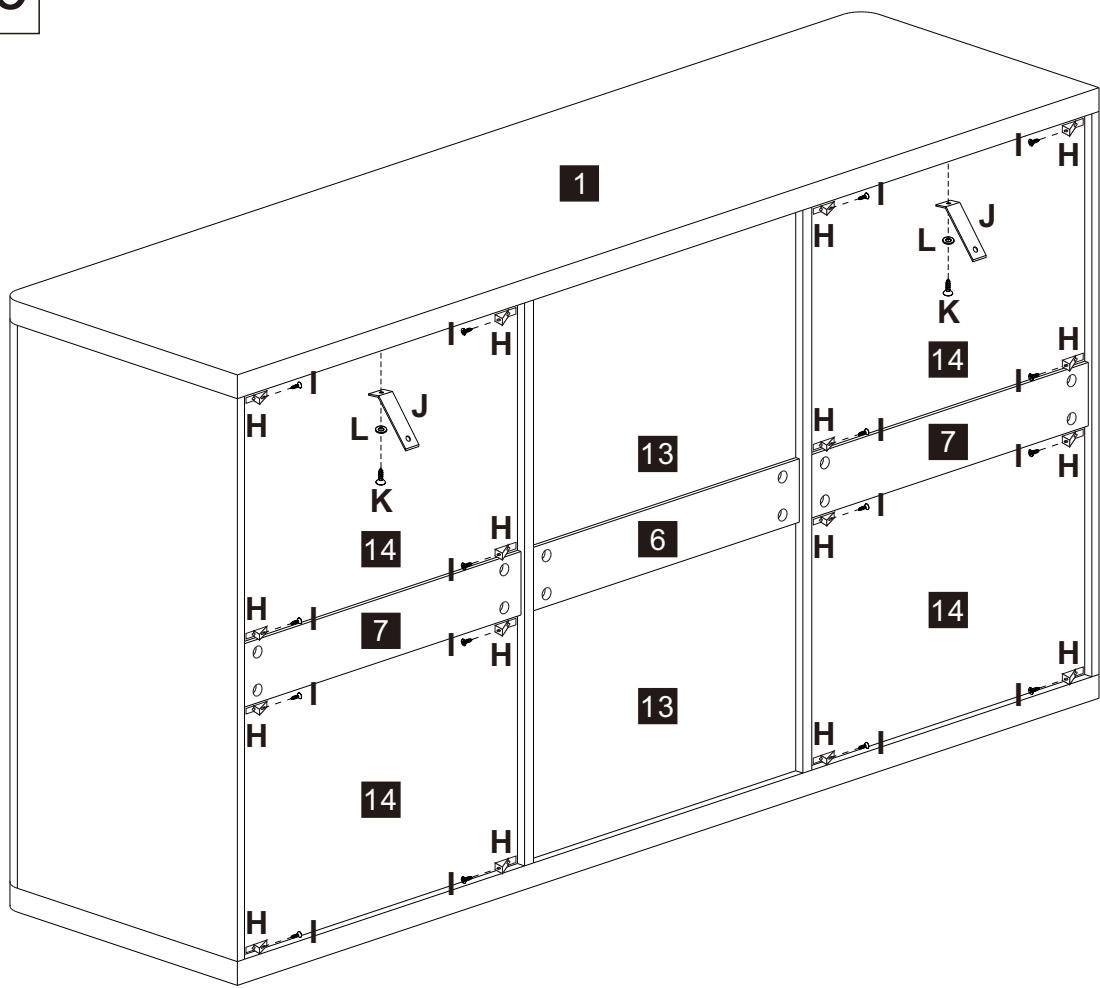


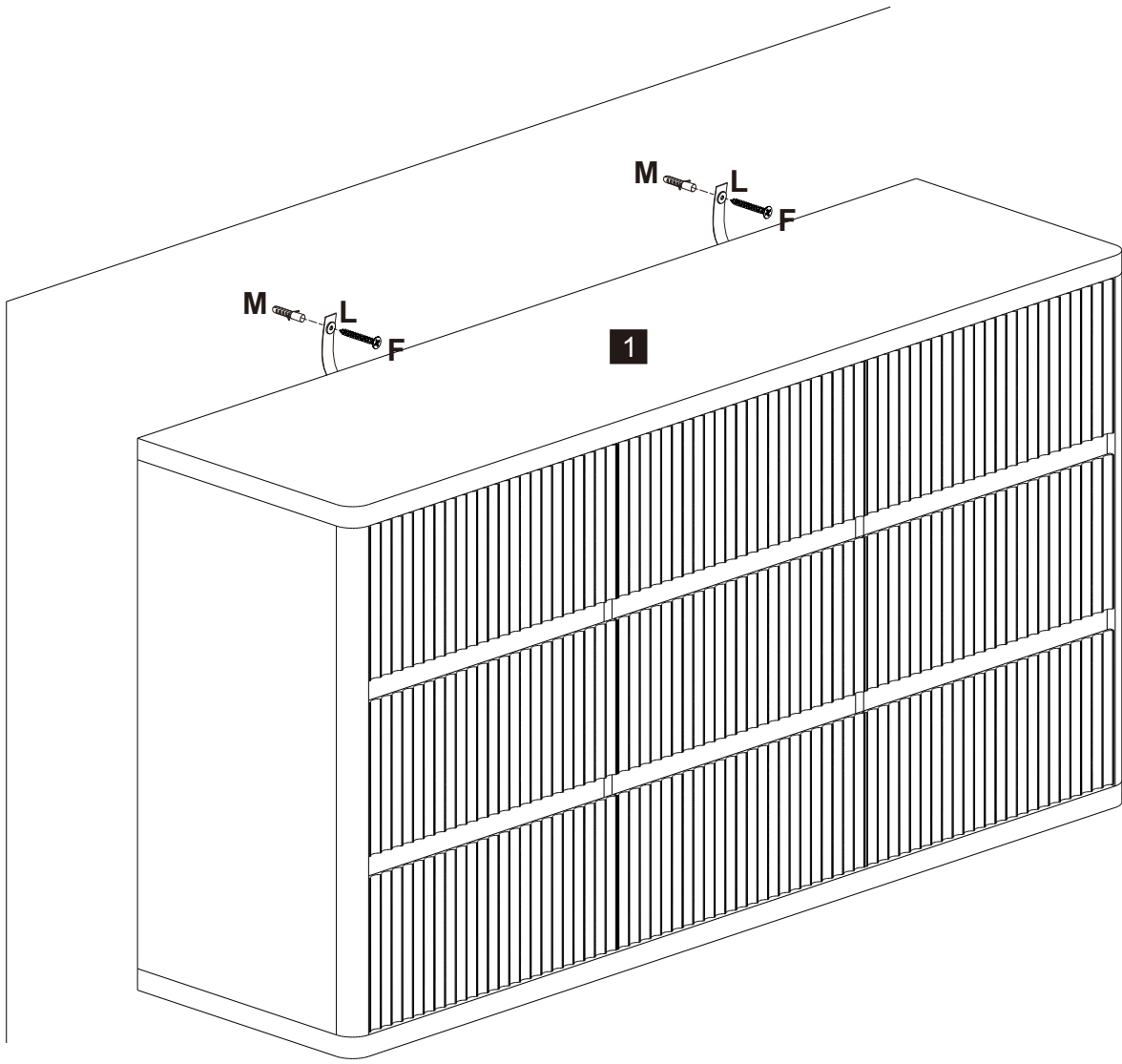
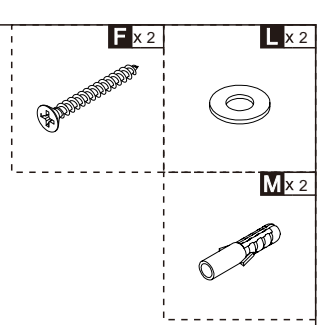
x9

19



20

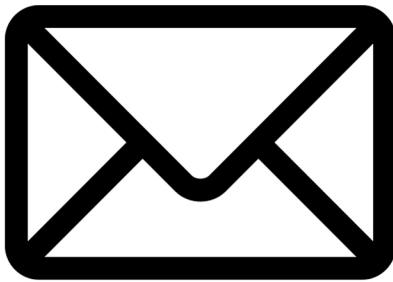




THANK YOU!

Contact our friendly
customer service team first for help

①



Email:

furni-service@outlook.com

②



Amazon Message

③



Call or Message:

+1 (909) 960-3666

④



WhatsApp

If you have any questions, please leave the **order No.**
and **related picture** information, we will reply you
within 24 hours, and solve the problem as soon as possible.