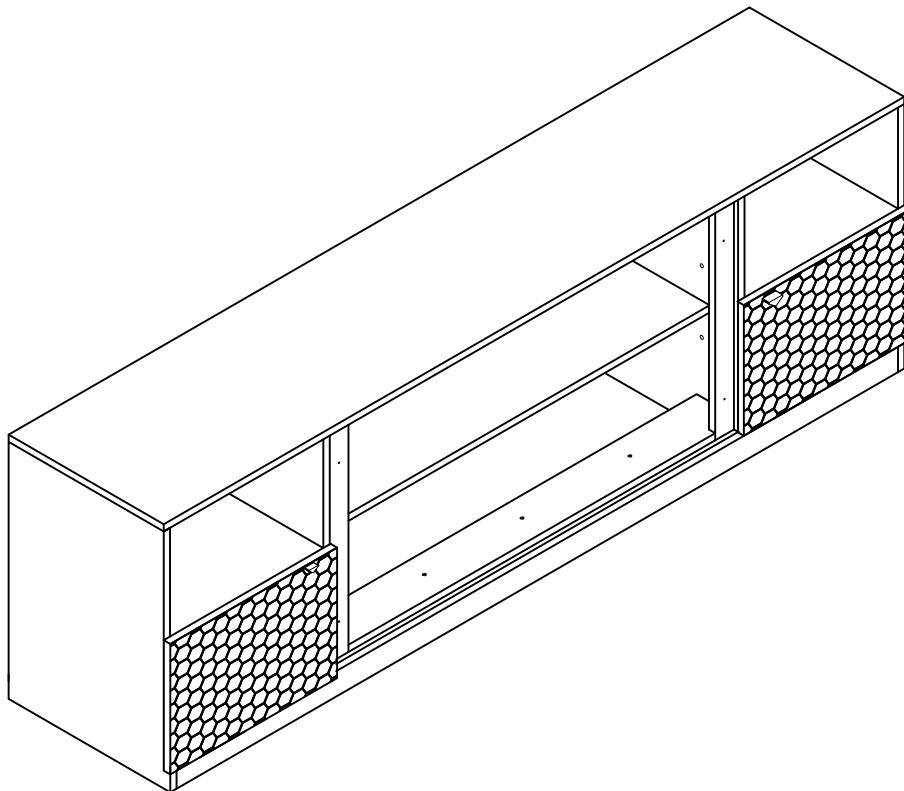


# ASSEMBLY INSTRUCTIONS



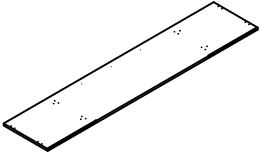
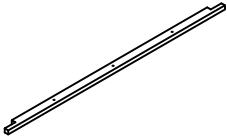
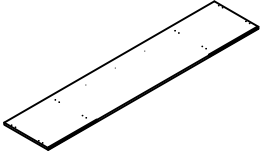
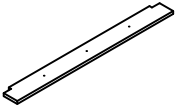

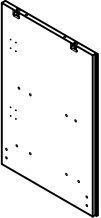
Phone Number: (951) 213-4743  
(323) 982-8955

Service Contact : [service@boyelliving.com](mailto:service@boyelliving.com)

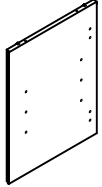
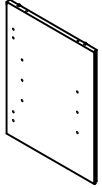
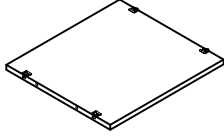


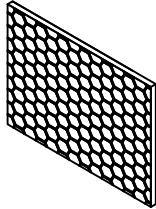
Web: [www.boyelliving.com](http://www.boyelliving.com)

# ASSEMBLY INSTRUCTIONS

## Part List:

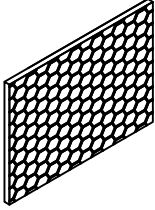
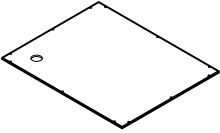
ITEM	DESCRIPTION	PART	QTY
1	Top panel		1
2	Upper rail		1
3	Bottom panel		1
4	Lower rail		1
5	Left side		1
6	Right side		1

## Part List:

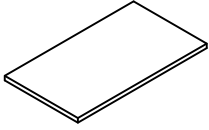
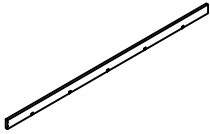
ITEM	DESCRIPTION	PART	QTY
7	Left divider		1
8	Right divider		1
9	Fixed shelf		2
10	Left post		1
11	Right post		1
12	Left door		1

# ASSEMBLY INSTRUCTIONS

## Part List:






ITEM	DESCRIPTION	PART	QTY
13	Right door		1
14	Back panel		2

## Part List:





ITEM	DESCRIPTION	PART	QTY
15	Adjustable shelf		1
16	Apron		2

# ASSEMBLY INSTRUCTION

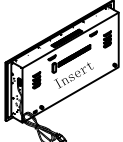
## Hardware List:


ITEM	DESCRIPTION	PART	QTY
A	Wooden dowel	 Φ8*30mm	40
B	Door fitting		4
C	Wood screw	 Φ3.5*12mm	24
D	Round head screw	 Φ3*12mm	24
E	Flat head screw	 Φ4*25mm	3

## Hardware List:

ITEM	DESCRIPTION	PART	QTY
F	Flat head screw	 Φ4*19mm	3
G	Handle		2
H	Machine screw	 Φ5/32"*19mm	4
I	Shelf support		4

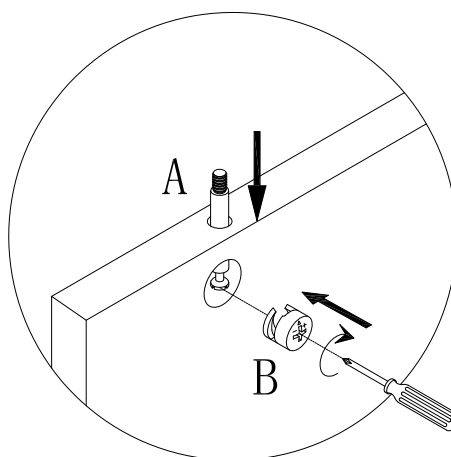
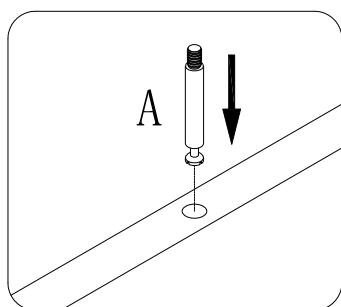
Belows are fireplace' s parts list:

DESCRIPTION	PART	QTY
Insert		1

DESCRIPTION	PART	QTY
Screw	 Φ4*12mm	4

- \* Required screwdriver & mallet, not included.
- \* Before discarding packing materials, please check to make sure that all parts and hardware is present.
- \* Two people needed for assembly.
- \* Please follow the instructions closely; do not over tighten screws or bolts unless instructed.
- \* After a few days from initial assembly, the product may have acclimated to the new environment. Please retighten the hardware.

### Guideline For Assembling of Cam Lock (A & B)



Screw camlock bolt (A) to wood part.

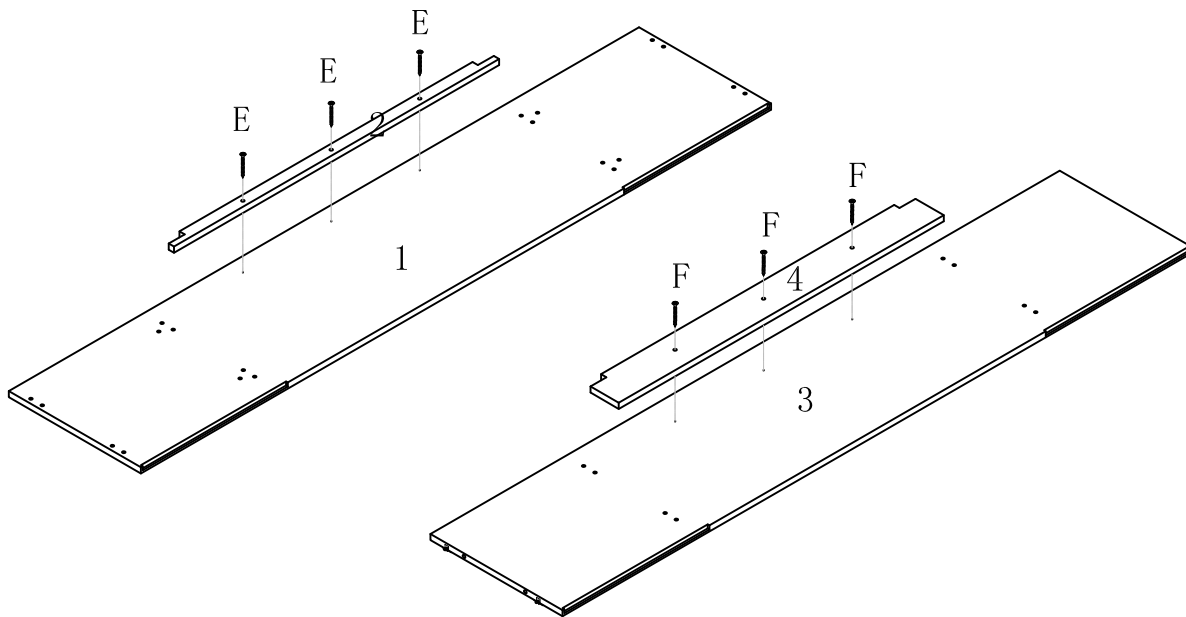
Do not assemble camlock (B) unless instructed.

To assemble camlock (B), ensure long side of the + is facing the bolt (A) before inserting into hole.

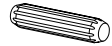
## STEP 1

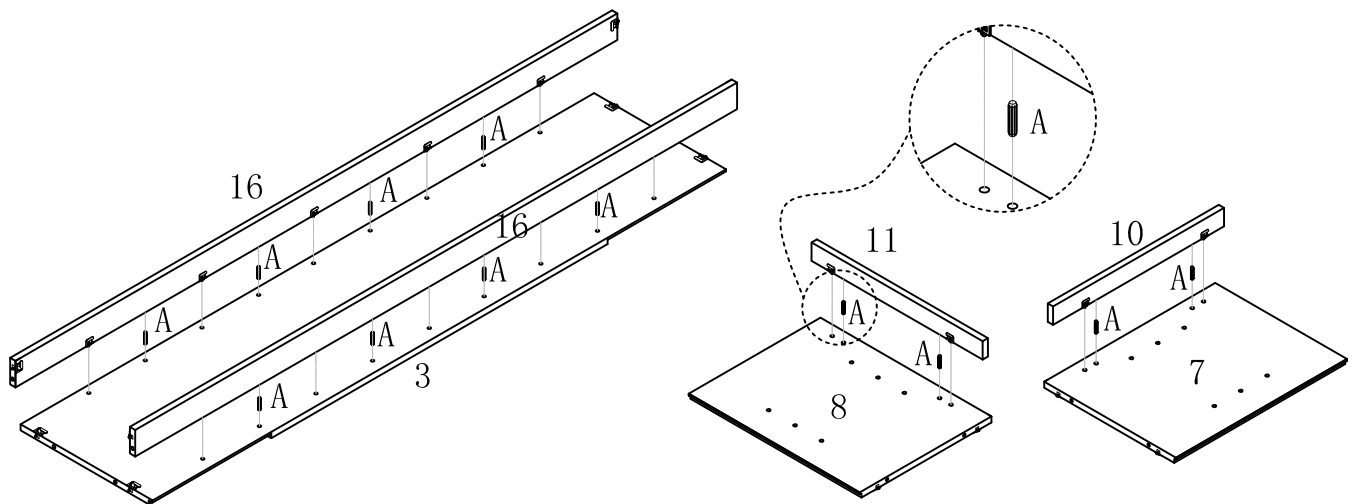
E:  3PCS

F:  3PCS

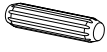


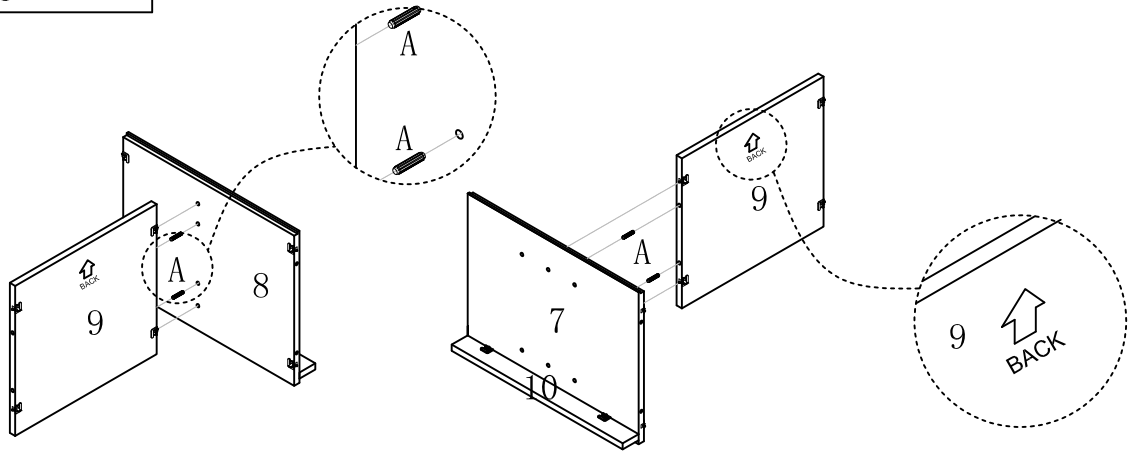
## STEP 2

A:  12PCS

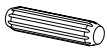


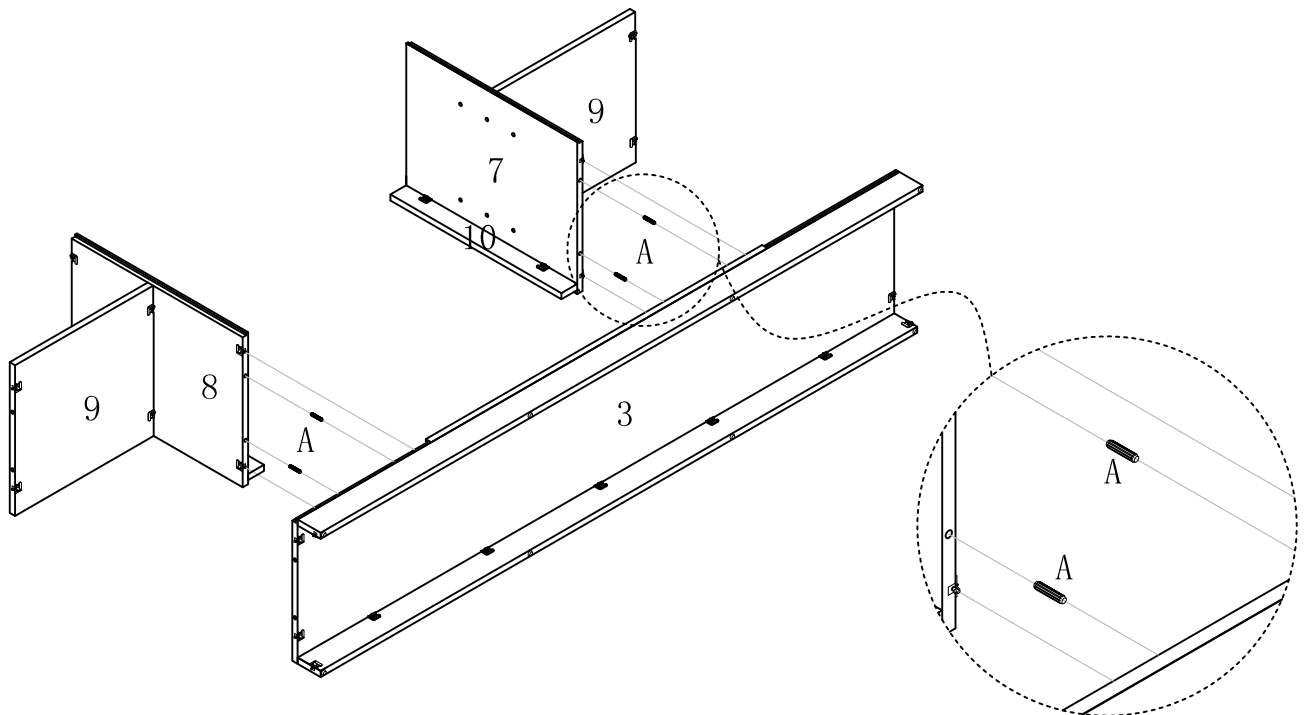
## STEP 3

A:  4PCS

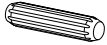


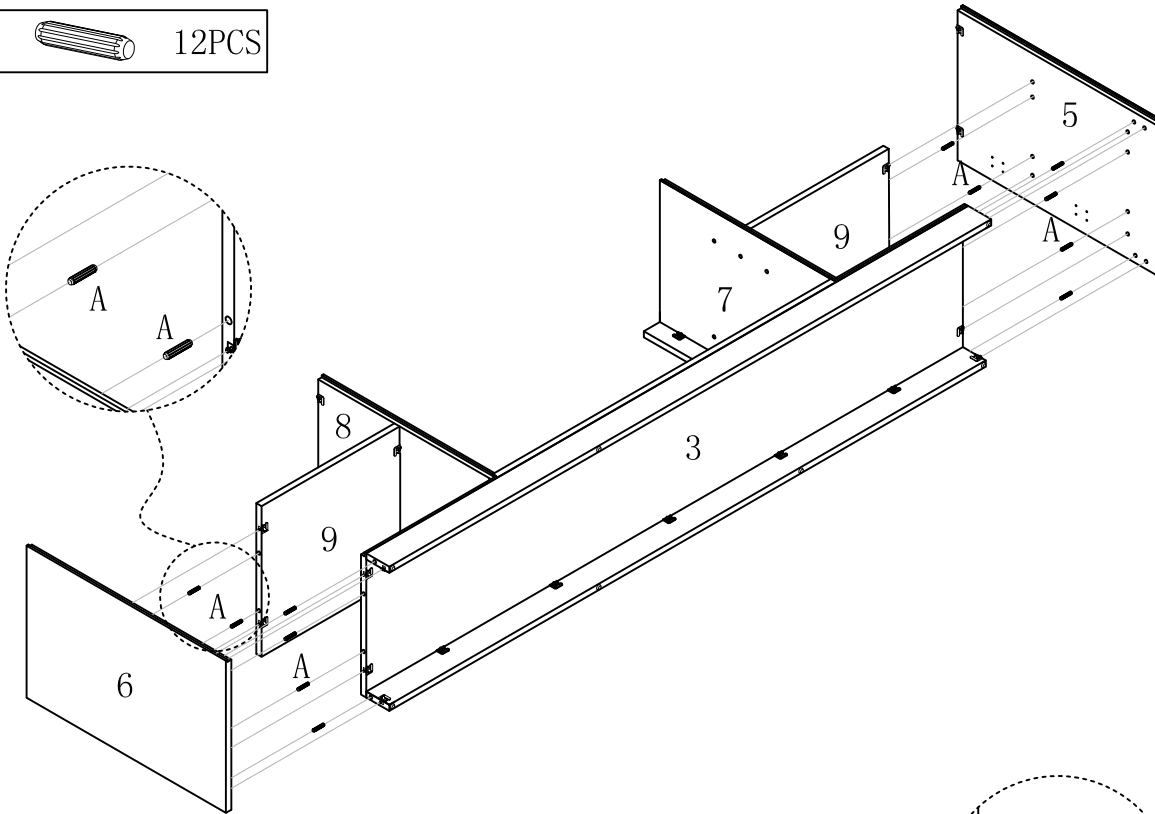
## STEP 4

A:  4PCS

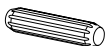


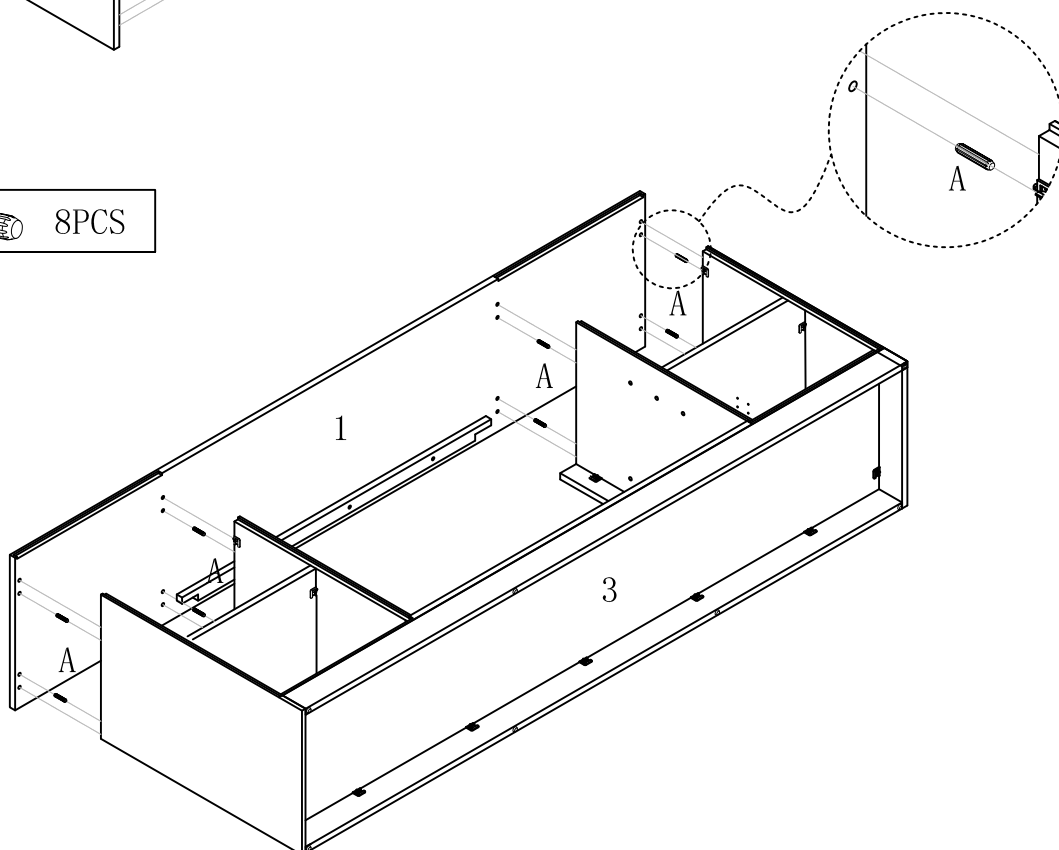
## STEP 5

A:  12PCS



## STEP 6

A:  8PCS

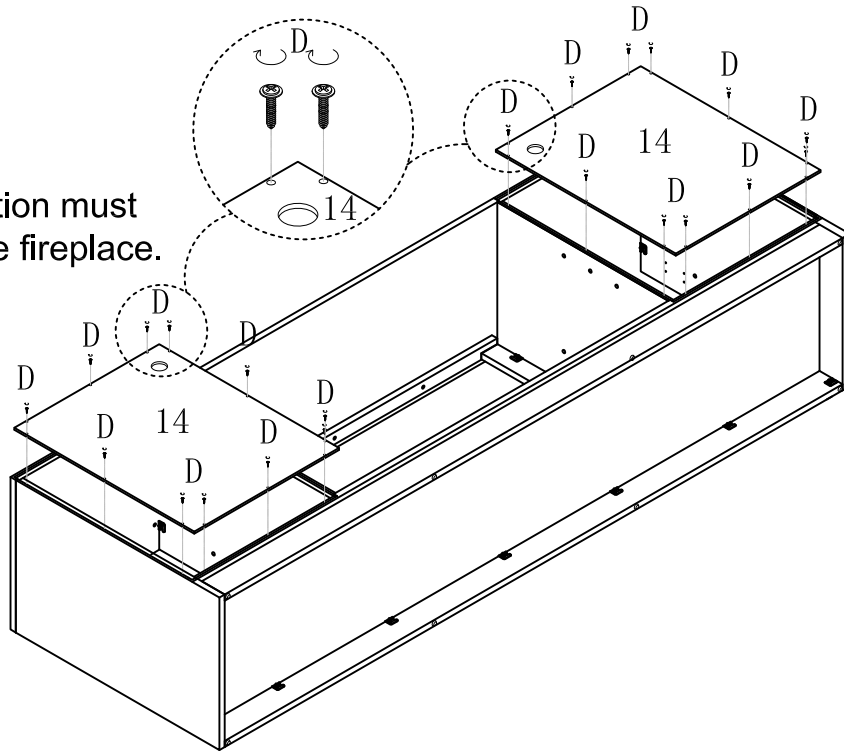


# ASSEMBLY INSTRUCTION

## STEP 7

D:  24PCS

The hole location must be close to the fireplace.




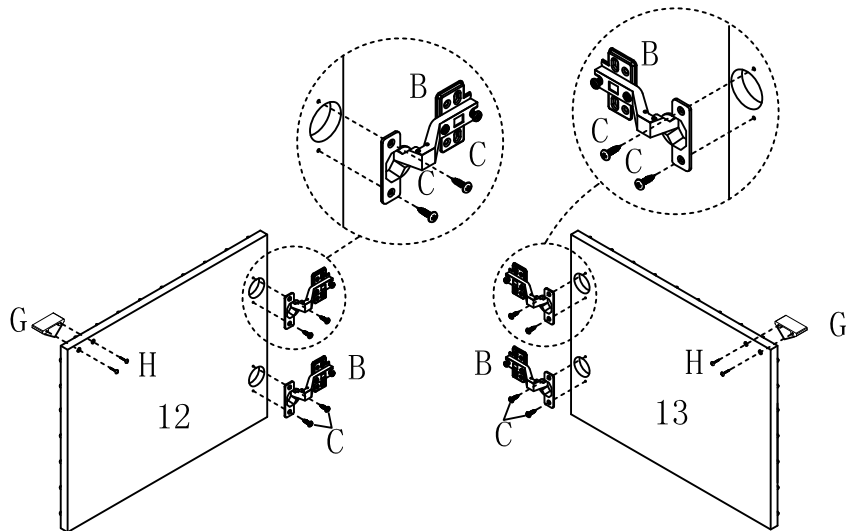
## STEP 8

B:  4PCS

C:  8PCS

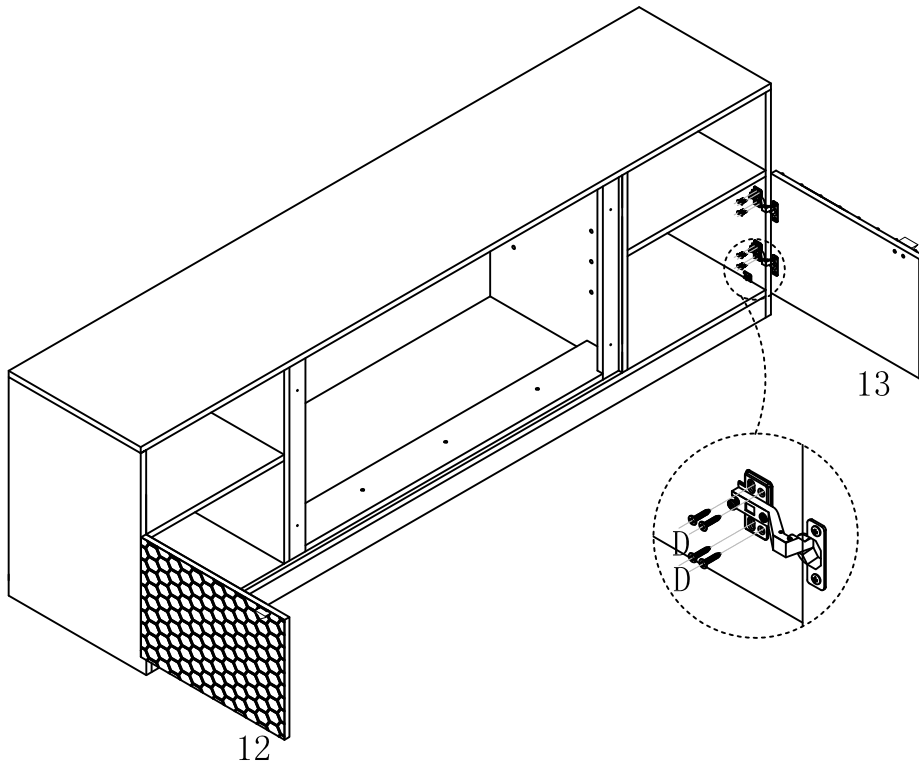
G:  2PCS

H:  4PCS



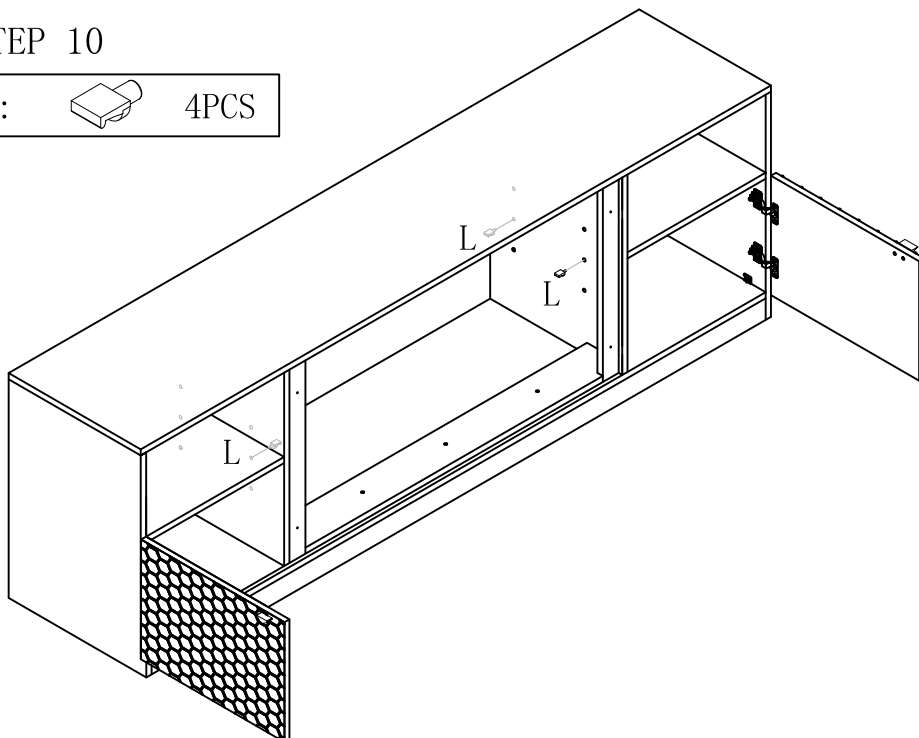
## STEP 9

D:  16PCS

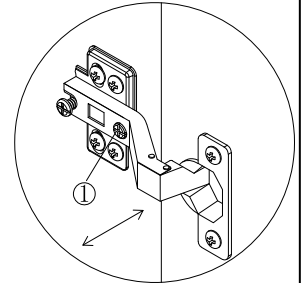


## STEP 10

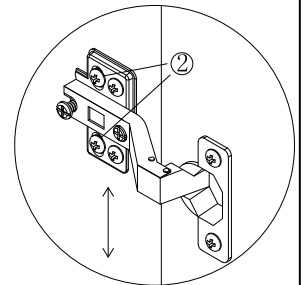
L:  4PCS



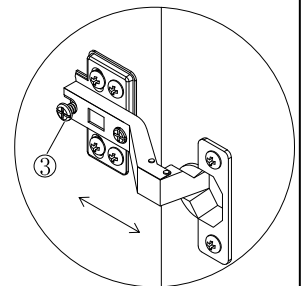
## DOOR FITTING



To adjust in width

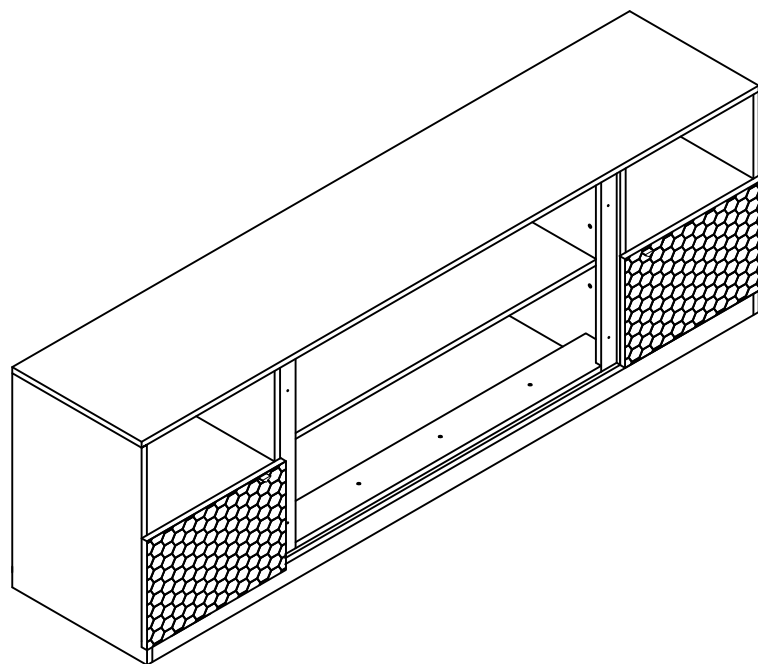
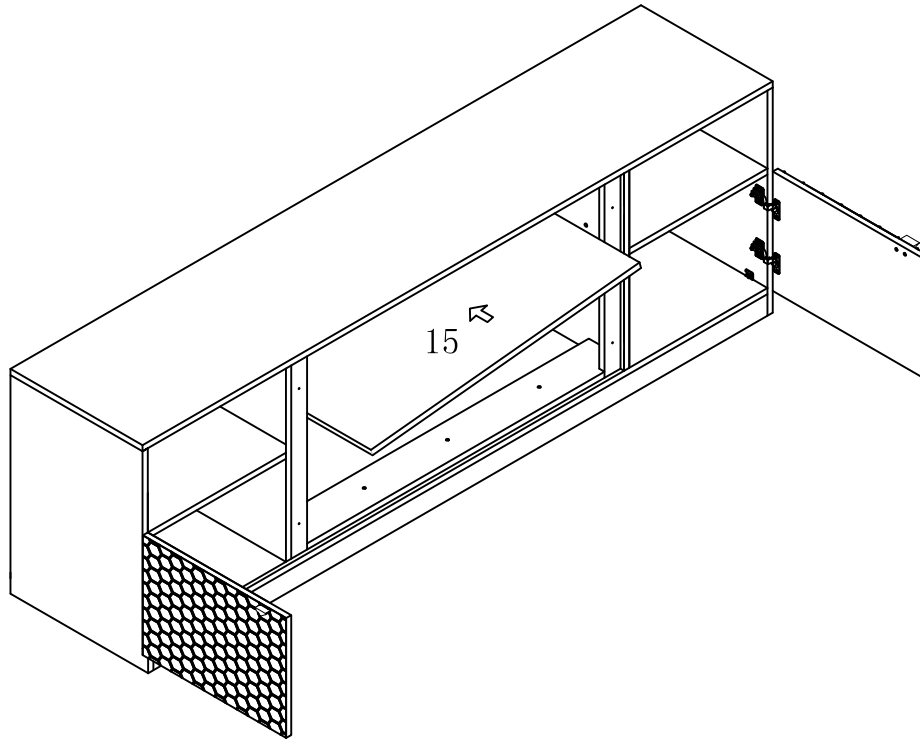


To adjust in height

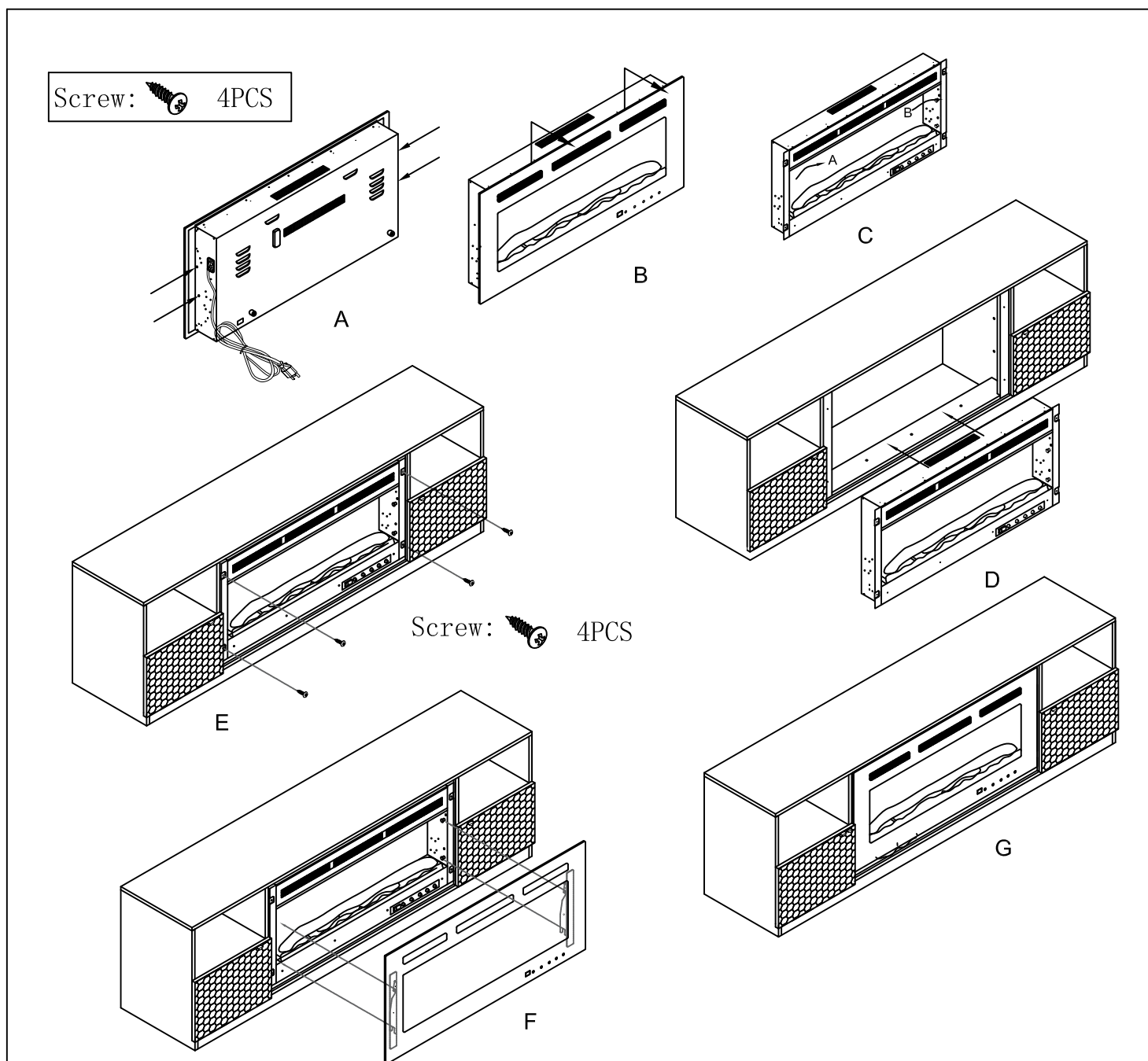


To adjust in depth

STEP 11



# ASSEMBLY INSTRUCTION



**STEP A.** Take off the two screws in both sides of fireplace. Figure (A)

**STEP B.** Have two person to take the glass panel out of the fireplace box. Place it to a soft and clean place.

**Figure (B)** , take two pcs of foam out of fireplace(C).

**STEP C.** Have two person to move the fireplace box to the wall hole or fireplace mantel (D).

If the appliance is fully recessed into the wall:

- Use the 4 screws(provided) to lock the appliance into wall with the existing two side flanges, see **Figure(E)**

- Install the media and re-install the glass front.

**STEP D.** Place the front panel lock the appliance. **See Figure (F)**

**STEP E.** Fireplace will be like this after installation **Figure (G)**