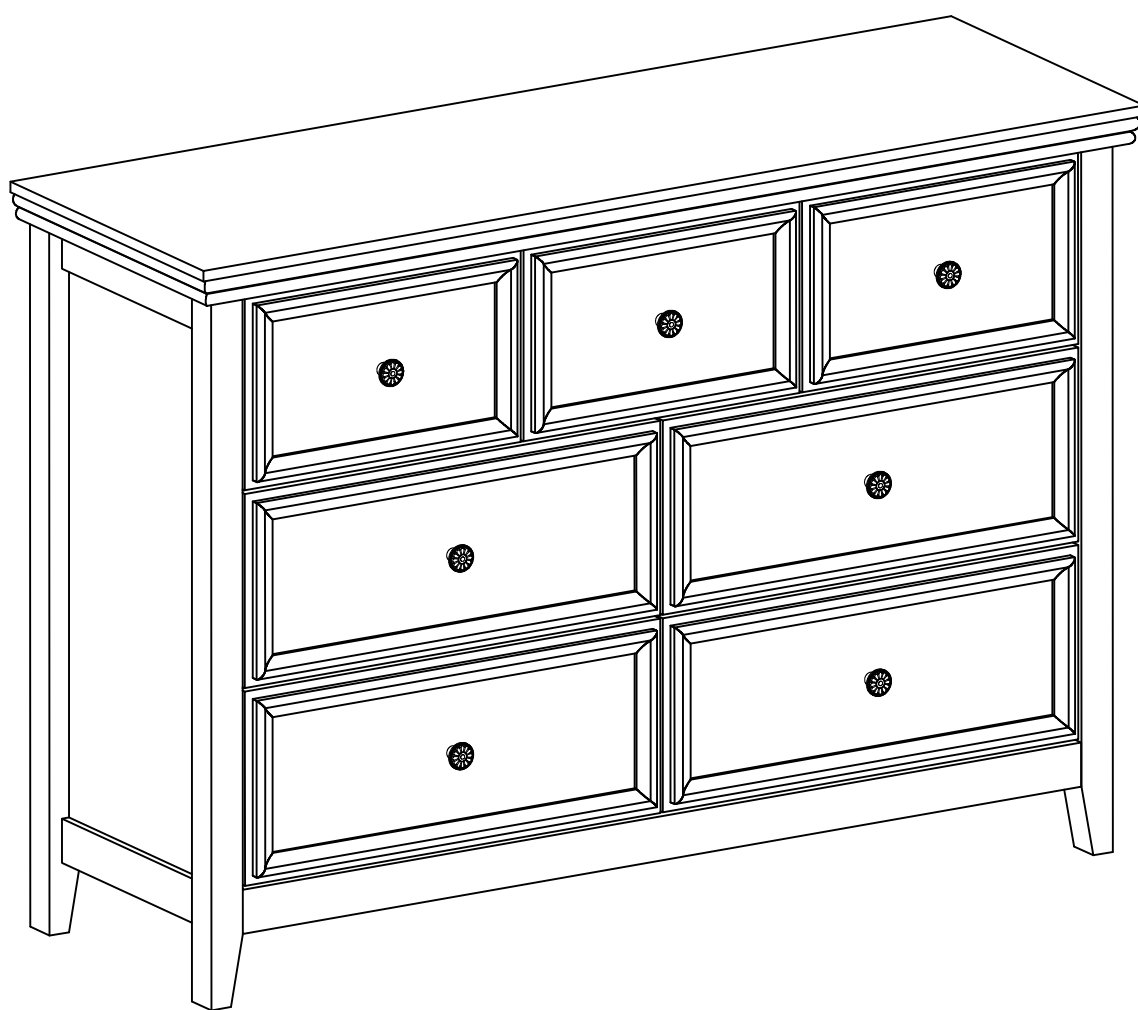
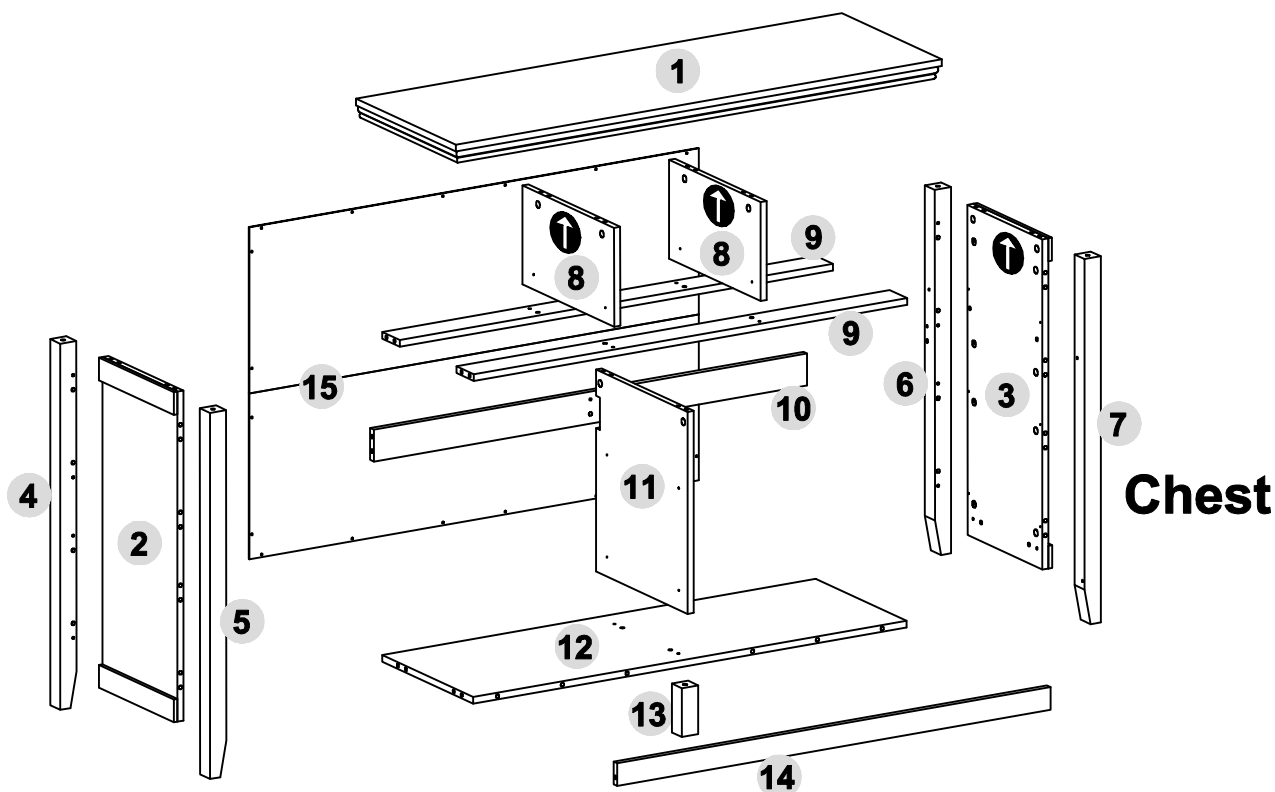


INSTALLATION GUIDE



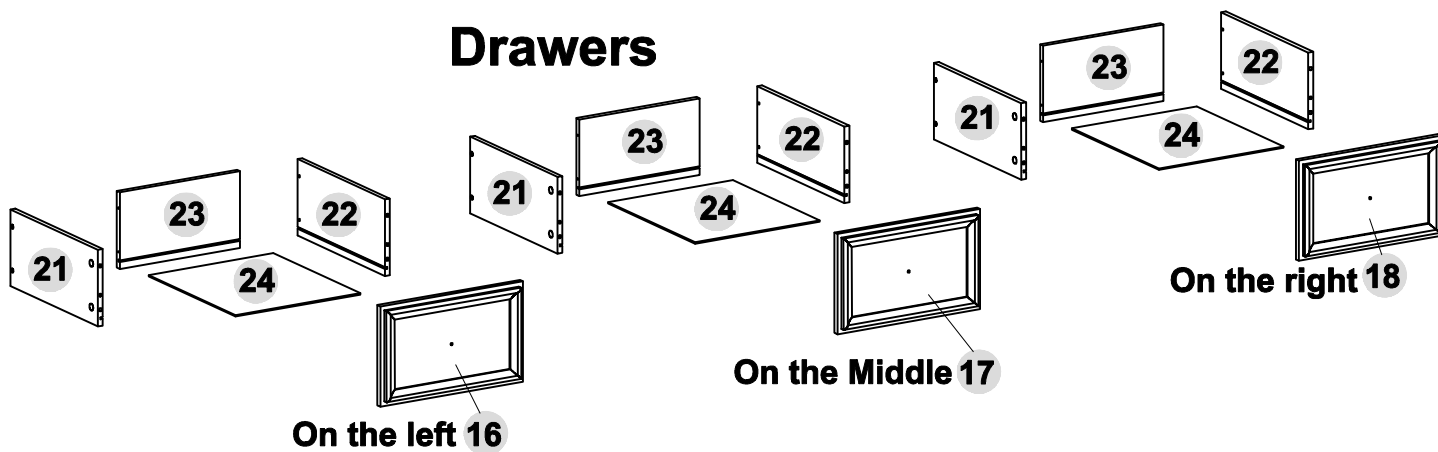
PACKAGE INCLUDE

KEEP THE NUMBER STICKERS ON UNTIL FINISHED ASSEMBLING!



Chest

Drawers

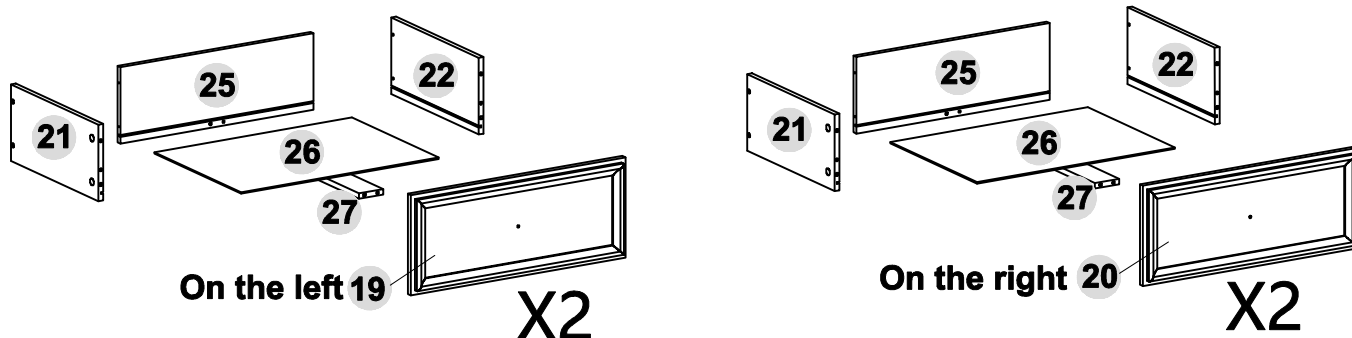


On the left 16

On the Middle 17

On the right 18

Notice: Different drawers correspond to different installation positions, small drawers divided into left, middle and right, large drawers divided into left and right. The reverse installation will cause a distinct gap between the drawer and the dresser body.



On the left 19

On the right 20

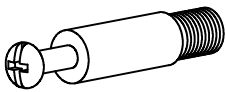

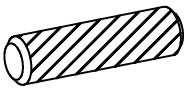
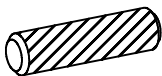



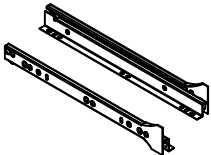

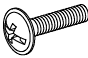
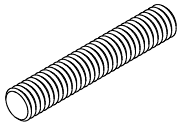
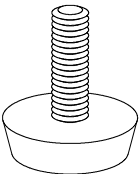

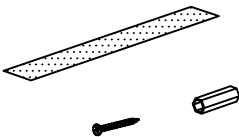
X2

X2

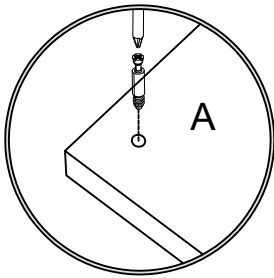
PART IDENTICATION

CODE	DESRPTION	QTY
1	Top panel	1
2	Left side panel	1
3	Right side panel	1
4	Left hind leg	1
5	Left front leg	1
6	Right hind leg	1
7	Right front leg	1
8	Upper middle partition panel	2
9	Upper drawbar	2
10	Back drawbar	1
11	Lower middle partition panel	1
12	Bottom panel	1
13	Base support	1
14	Bottom trim strip	1
15	Back panel	1
16	Left front panel of upper drawer	1
17	Middle front panel of upper drawer	1
18	Right front panel of upper drawer	1
19	Left front panel of lower drawer	2
20	Right front panel of lower drawer	2
21	Drawer left side panel	7
22	Drawer right side panel	7
23	Upper drawer tail plate	3
24	Bottom panel of upper drawer	3
25	Lower drawer tail plate	4
26	Bottom panel of lower drawer	4
27	Bottom drawbar of lower drawer	4

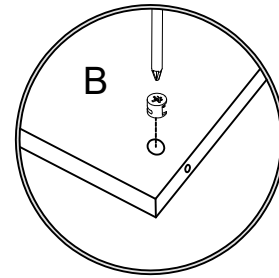
PACKAGE CONTENTS

 <p>A 78x+1</p>	<p>Ø15x9MM</p>  <p>B 78x+1</p>	<p>Ø8x30MM</p>  <p>C 49x+1</p>	<p>Ø6x30MM</p>  <p>D 22x+1</p>
<p>Ø3.5x35MM</p>  <p>E 28x</p>	<p>Ø4x12MM</p>  <p>F 84x+1</p>	<p>Ø3.5x12MM</p>  <p>G 20x+1</p>	<p>14"</p>  <p>H 7x</p>
 <p>I 7x</p>	<p>M4x18MM</p>  <p>J 7x</p>	<p>M6x30MM</p>  <p>K 1x</p>	<p>Ø23(M6x20MM)</p>  <p>L 1x</p>
<p>Ø4x50MM</p>  <p>M 7x</p>	 <p>N 2x</p>		

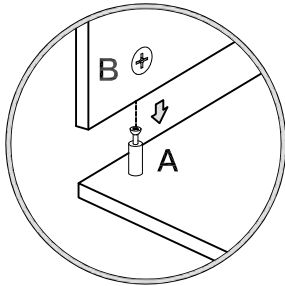
How do we finish the installation of the cam lock system?



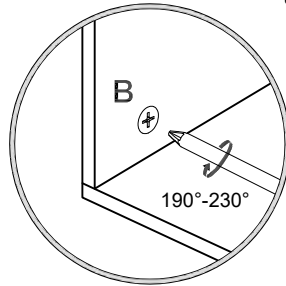
1. Screw a cam bolt A into the panel



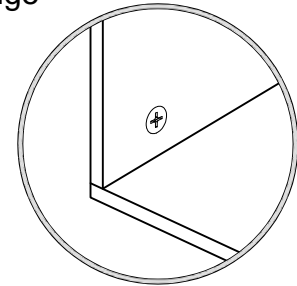
2. Push a cam B into the panel, make sure the arrow feature on the cam B points to the panel edge



3. Align cam bolt(s) A with cam(s) B and then insert cam bolt(s) A into cross-bored hole(s) completely

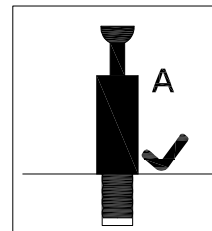
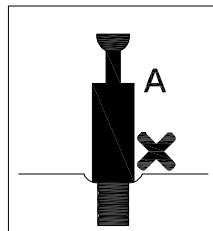
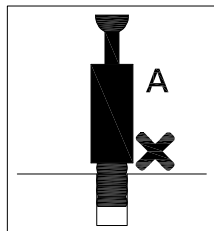
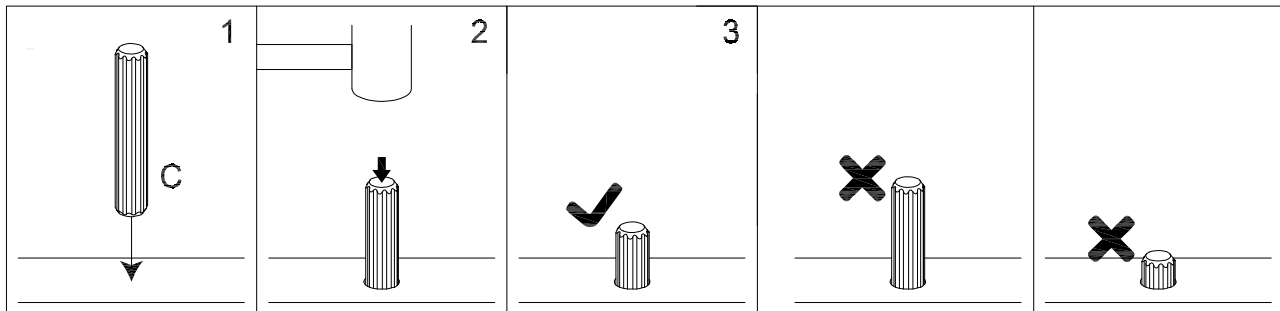


4. Rotate cam(s) B clockwise 190°-230° to lock 2 panels together



5. 2 panels should be tight against with each other and the connection should be rigid

Insert the wood dowel [C] at least half way by tapping lightly with a rubber mallet, IF NECESSARY.

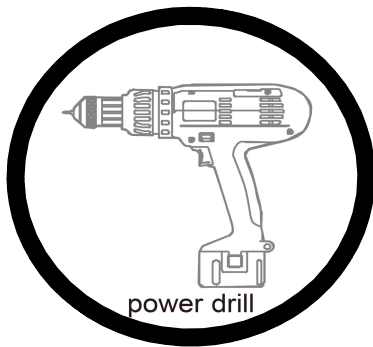


⚠ WARNING

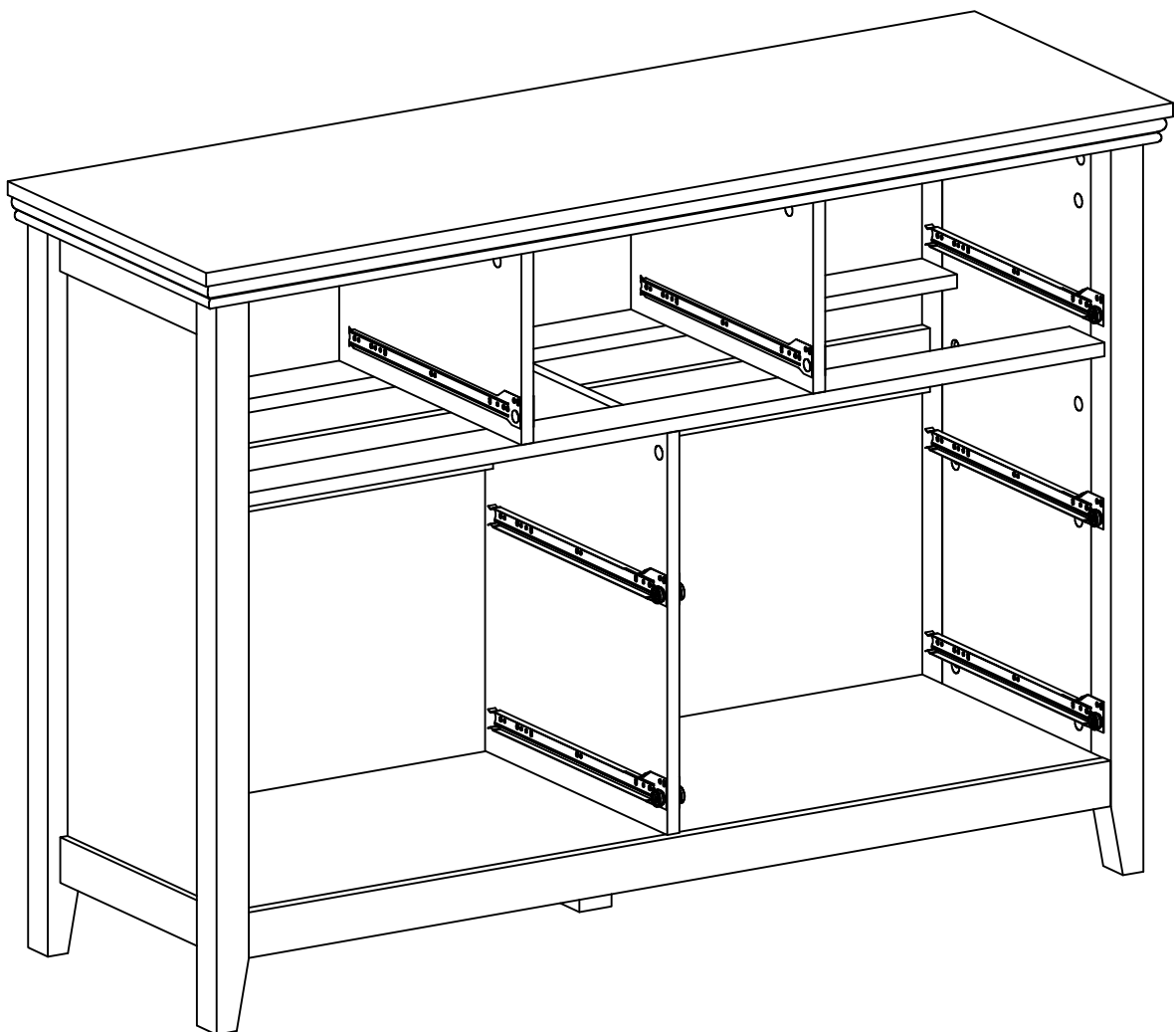
- Unit must be placed on a level surface or leveled with included hardware (when applicable).
- Do not sit or stand on or allow children to climb, sit or stand on the assembled product.
- For safety reasons, it is imperative that this unit be mounted to the wall.
- Do not use without installing the tip restraint.
- Unit can tip over causing severe injury or death.
- Do not exceed the recommended weight limits.
- Evenly distribute the weight on each level and always keep the heavier loads on the bottom.
- Before cutting, drilling or hammering into any wall or floor surface, verify the location of electrical, plumbing and gas lines. Cutting may cause serious injury.

Ready to assemble the dresser

Before installation, observe each structure of the drawer dresser. The drawer dresser consists of two main parts. You will assemble the chest first, and then install the three small drawers and four larger drawers. We should keep all track slides on the dresser body in one direction like the below finished look.

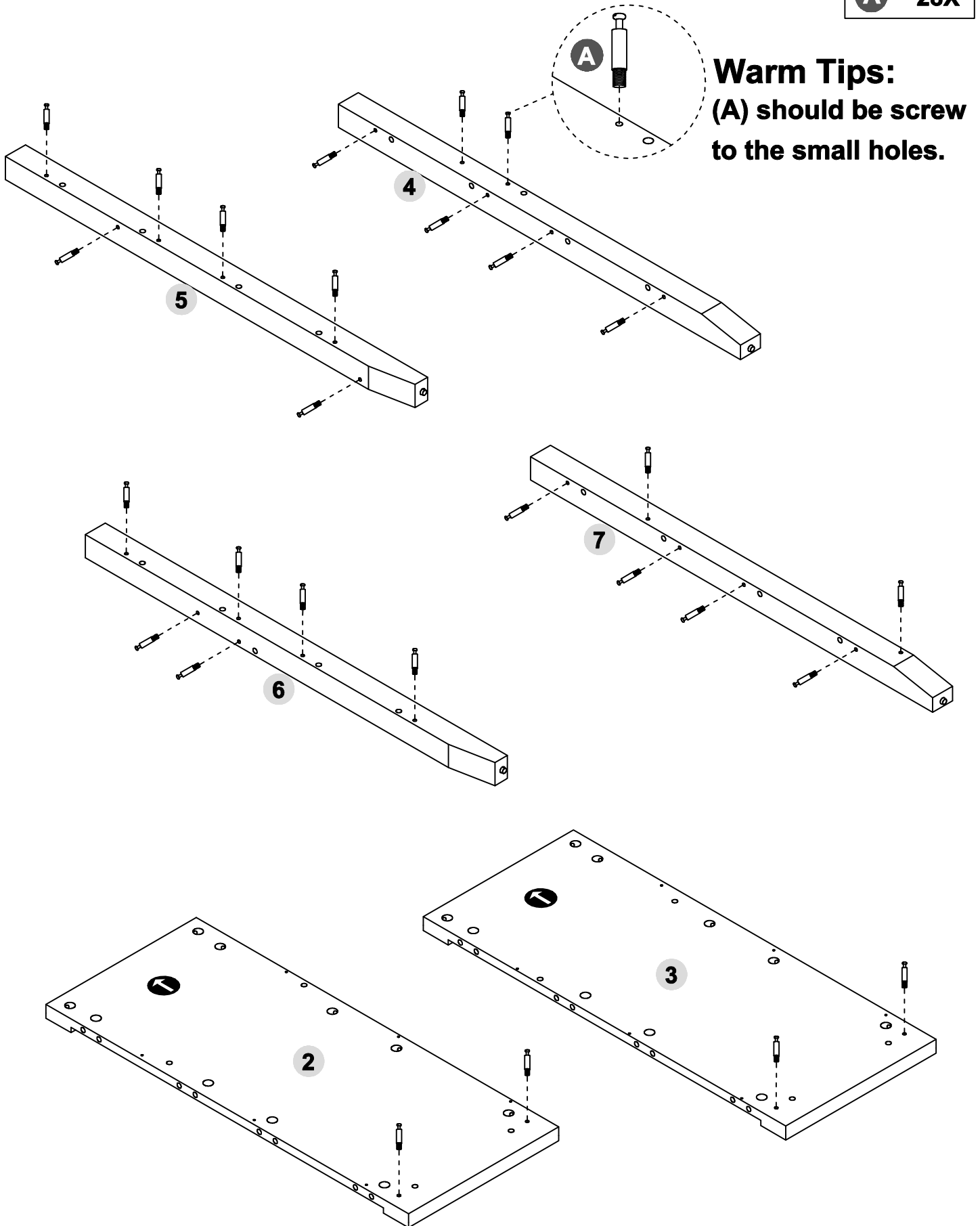
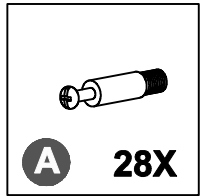


We recommend using a power drill to assemble.



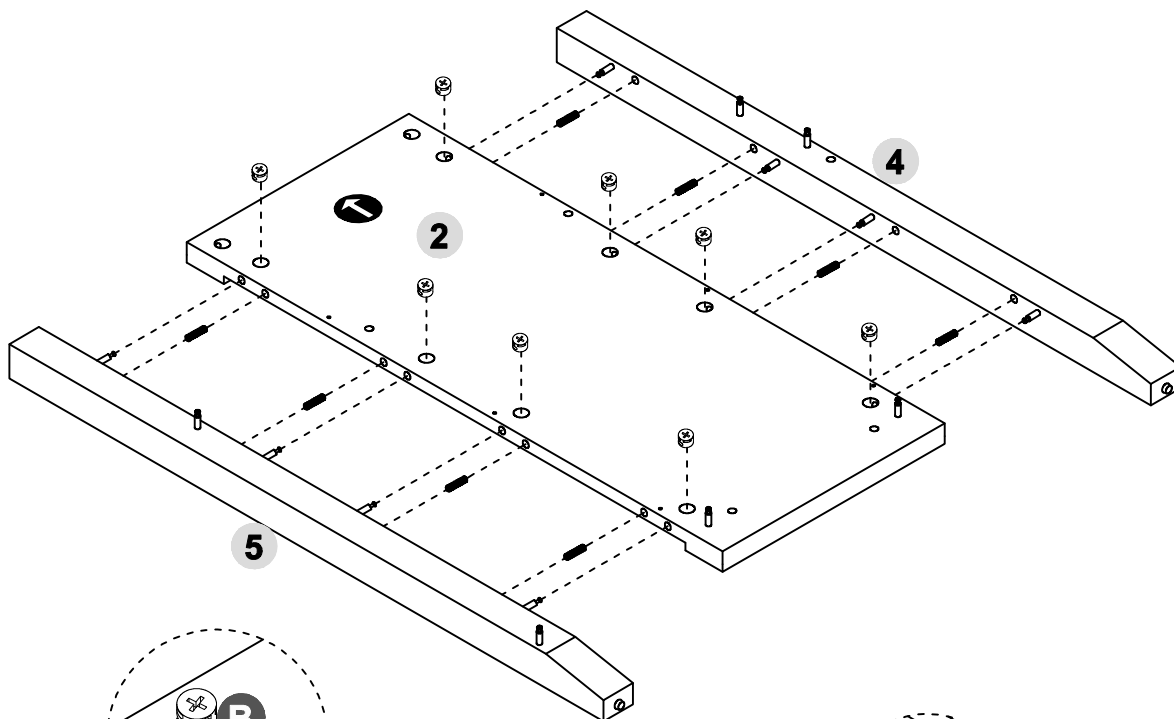
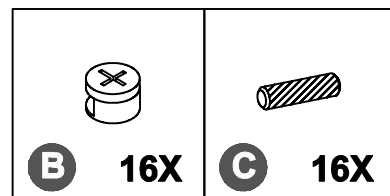
STEP 1

- Attach (A) to (2)&(3)&(4)&(5)&(6)&(7) as below shown

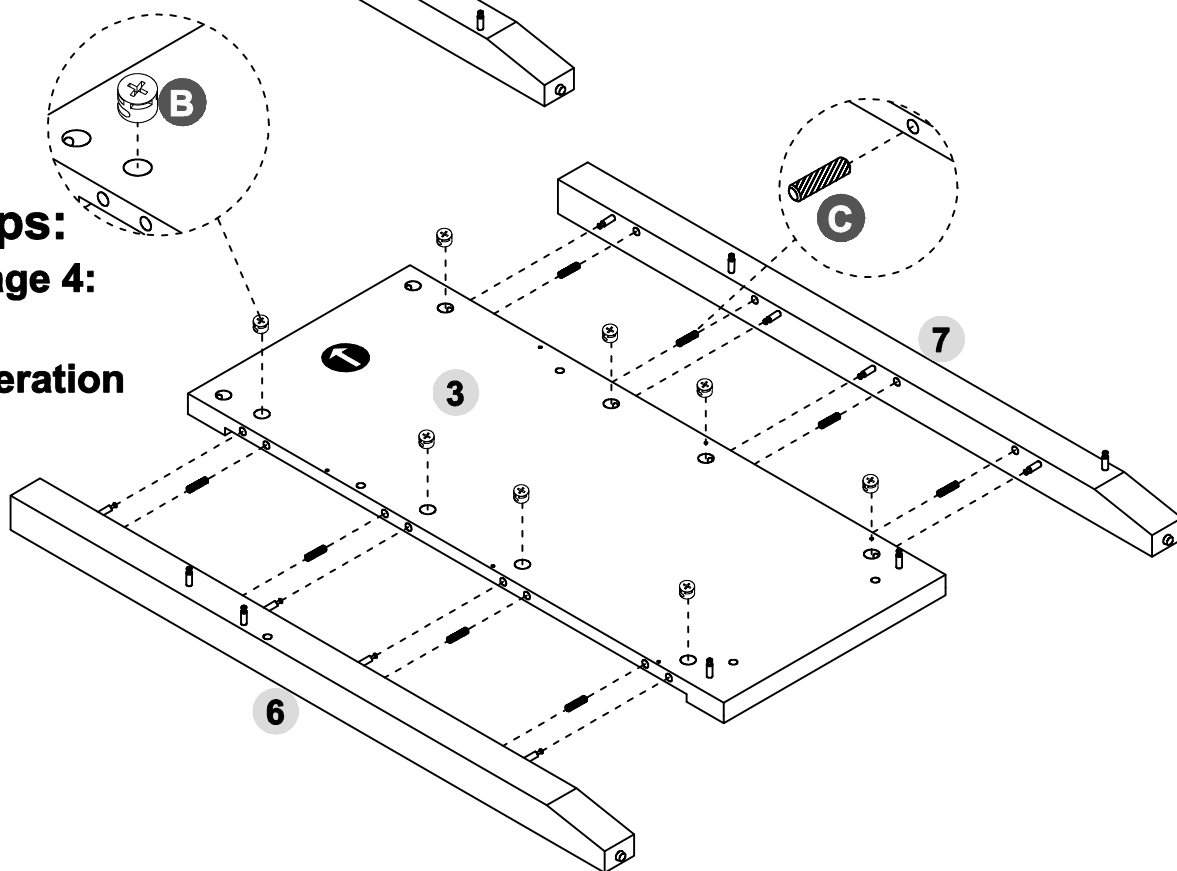


STEP 2

- Attach (C) to (2)&(3) as below shown
- Attach (4)&(5) to (2) as below shown
- Attach (6)&(7) to (3) as below shown
- Screw (B) to lock the (2)&(3) as below shown



Warm Tips:
Refer to Page 4:
Cam lock
system operation



Warm Tips: Make sure the 4 large pre-drilled holes are on the upside, (4)&(5) holes should be in the same side.

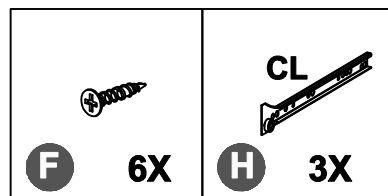
STEP 3-1

- Install the drawer slides (H) on the left side panel (2).

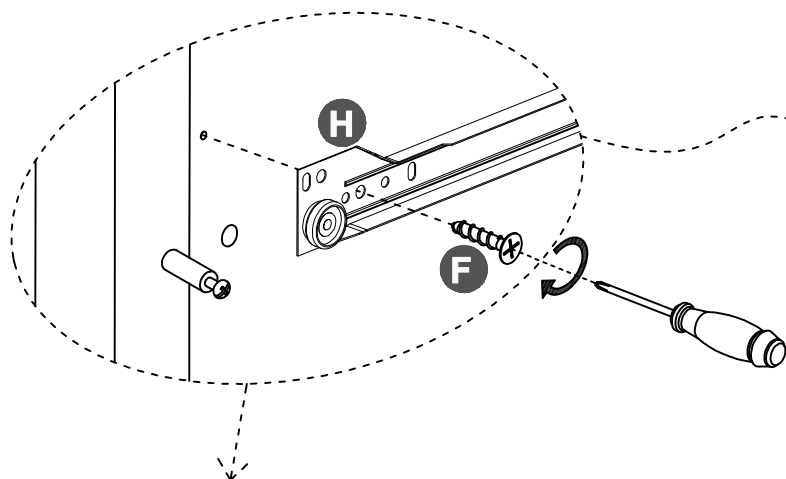
There is a CL sign on the track. We have 7 X (H), one batch (H) has one CL track. So we need to open 3 batches (H) to get 3 CL tracks.

- Screw (F) to tighten the track slides as below shown.

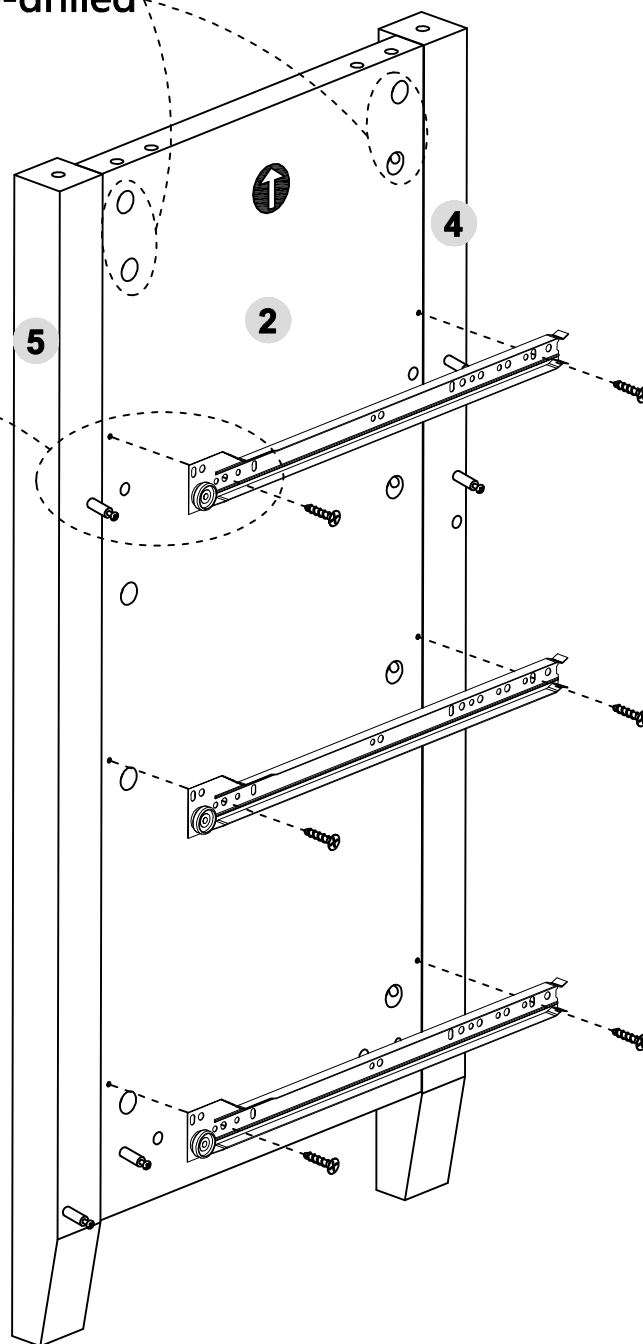
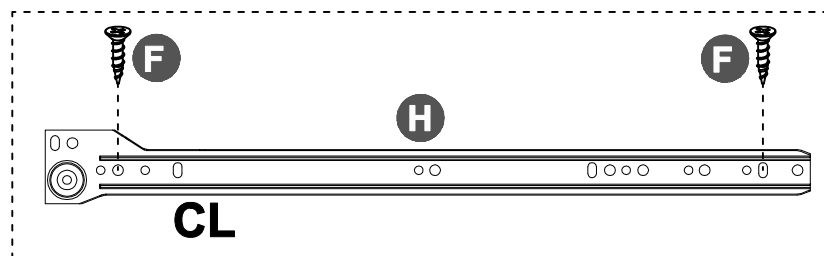
Make sure the end with a roller of the track slide heads up to ⑤.



Make sure the 4 large pre-drilled holes are on the upside.

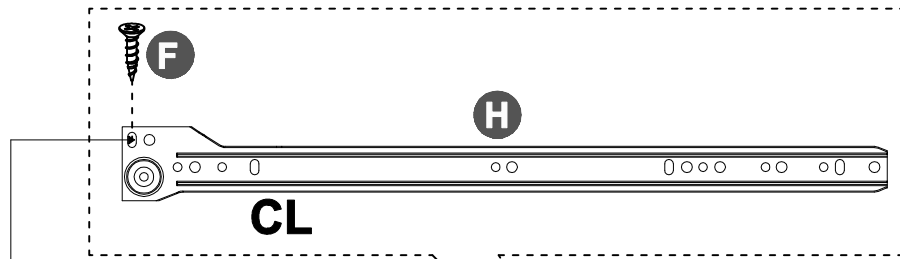
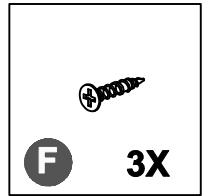


(F) should be locked in the second hole against the pulley.

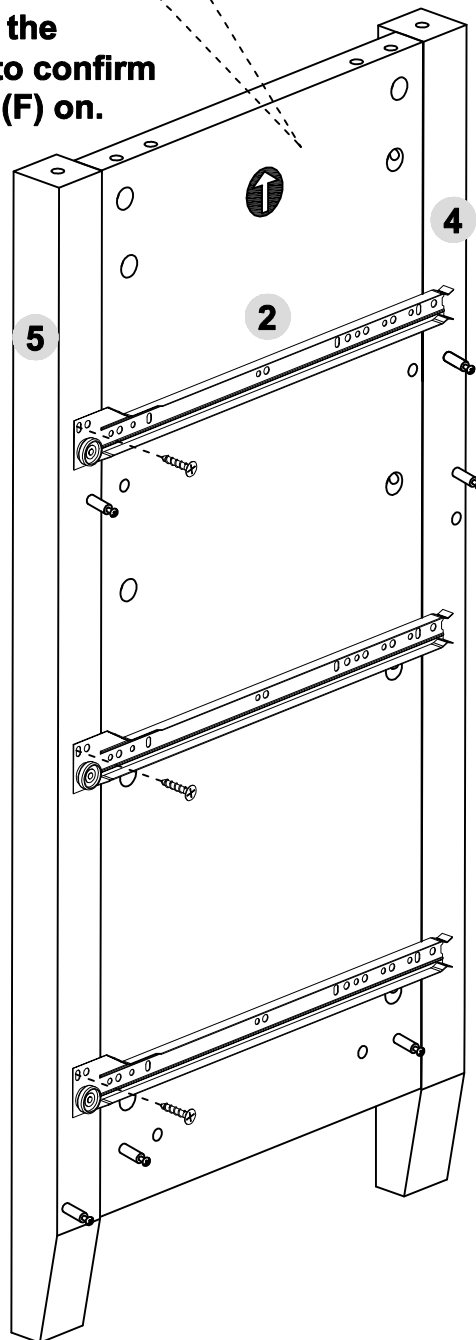


STEP 3-2

- Screw (F) to tighten the track slides as below shown.

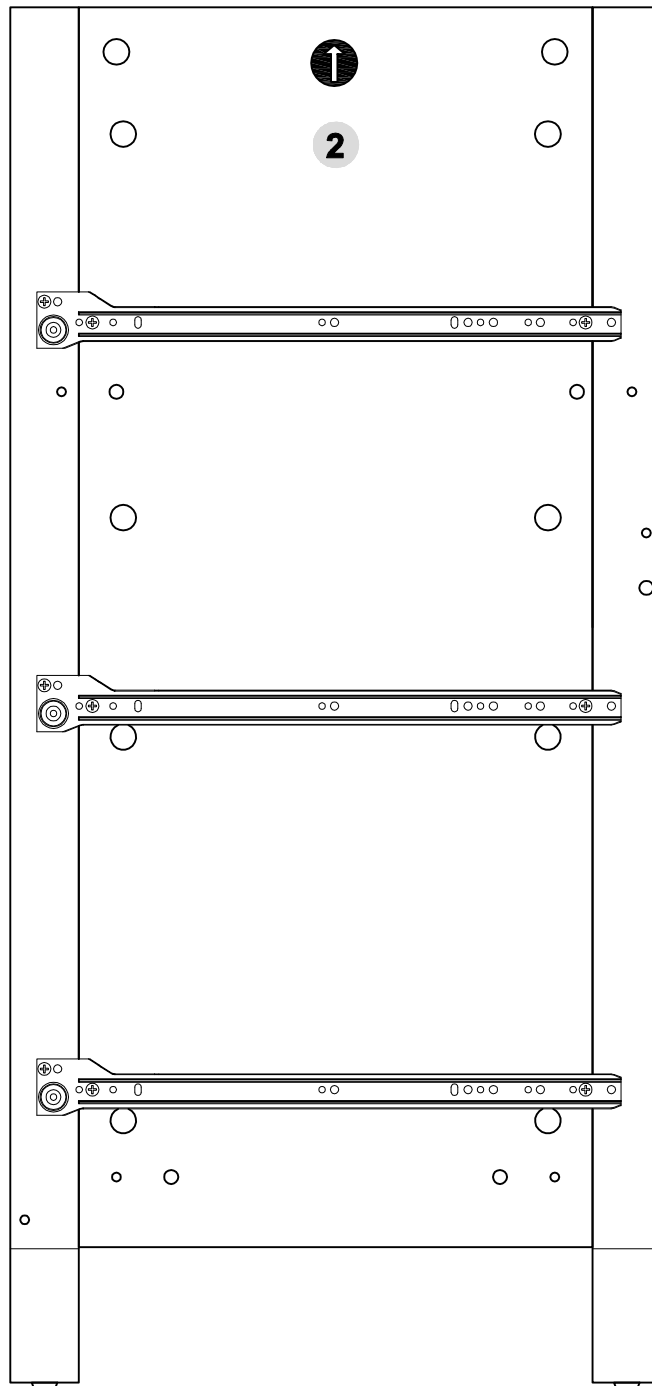


There are no pre-drilled holes corresponds to the UPPER row holes of the tightening. We need to confirm the position of the track slide, then screw the (F) on.



STEP 3-3

- Please refer the below look and check carefully after you assembled 3X CL track slides.
- Make sure you used 9 x (F).
- Make sure the end with roller of the track slides are in one direction.



STEP 4-1

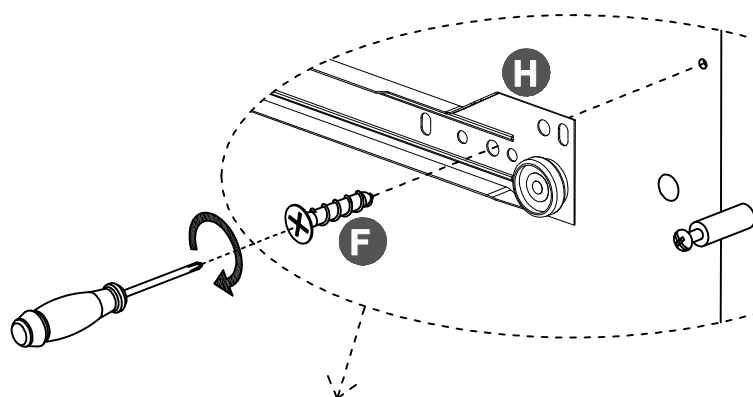
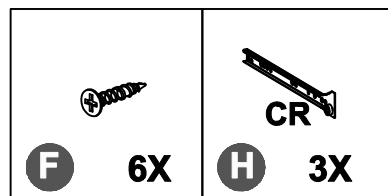
- Install the drawer slides (H) on the Right side panel (3).

There is a CR sign on the track. We have 7 X (H), one

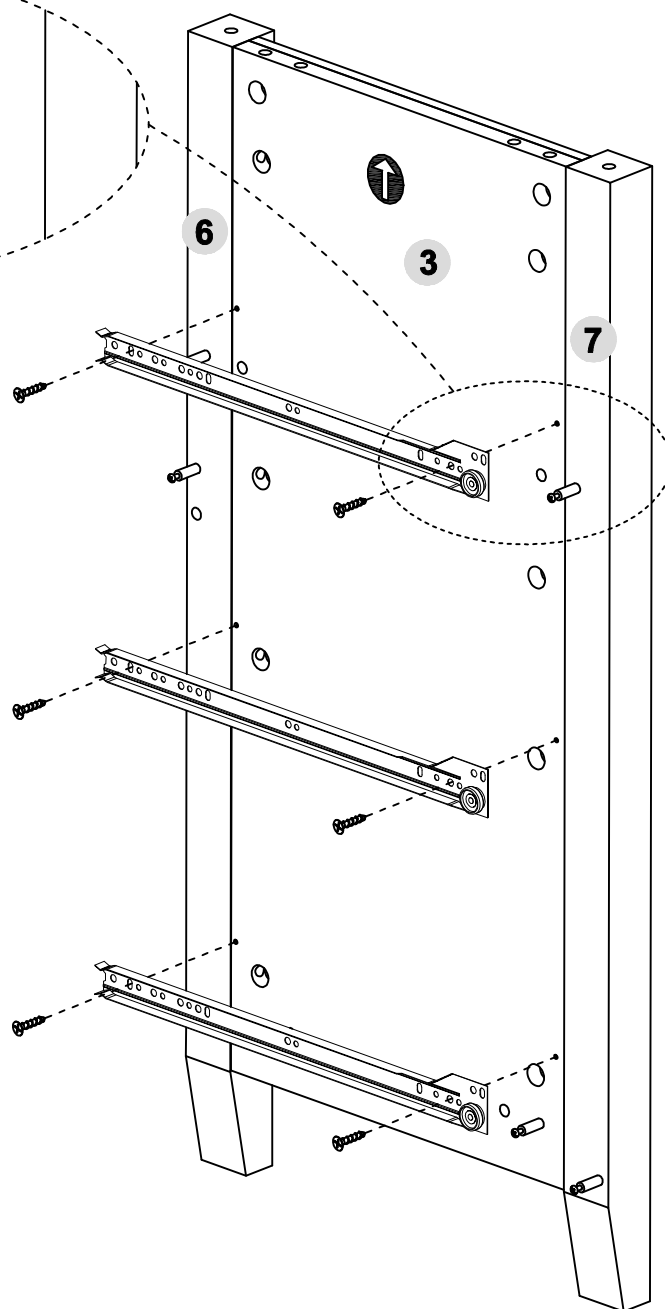
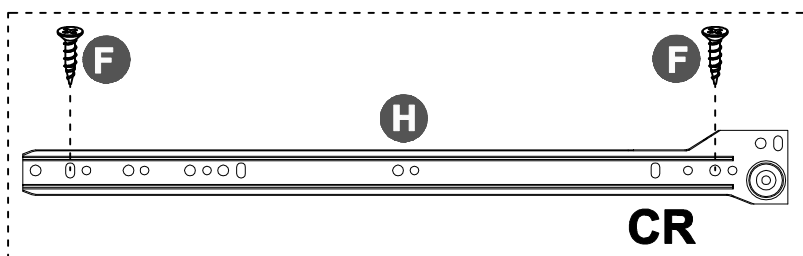
batch (H) has one CR track. So we need to open 3 batches (H) to get 3 CR tracks

- Screw (F) to tighten the track slides as below shown.

Make sure the end with a roller of the track slide heads up to ⑦.

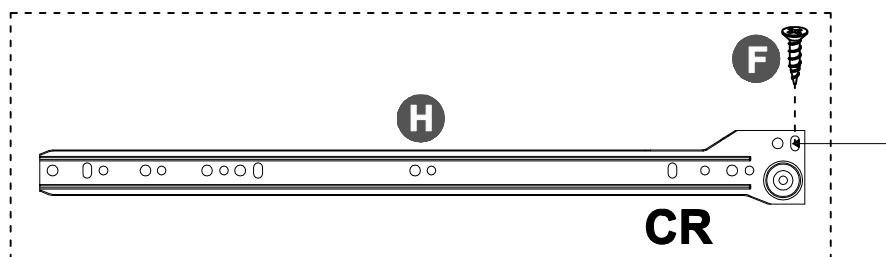
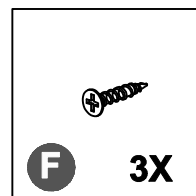


(F) should be locked in the second hole against the pulley.

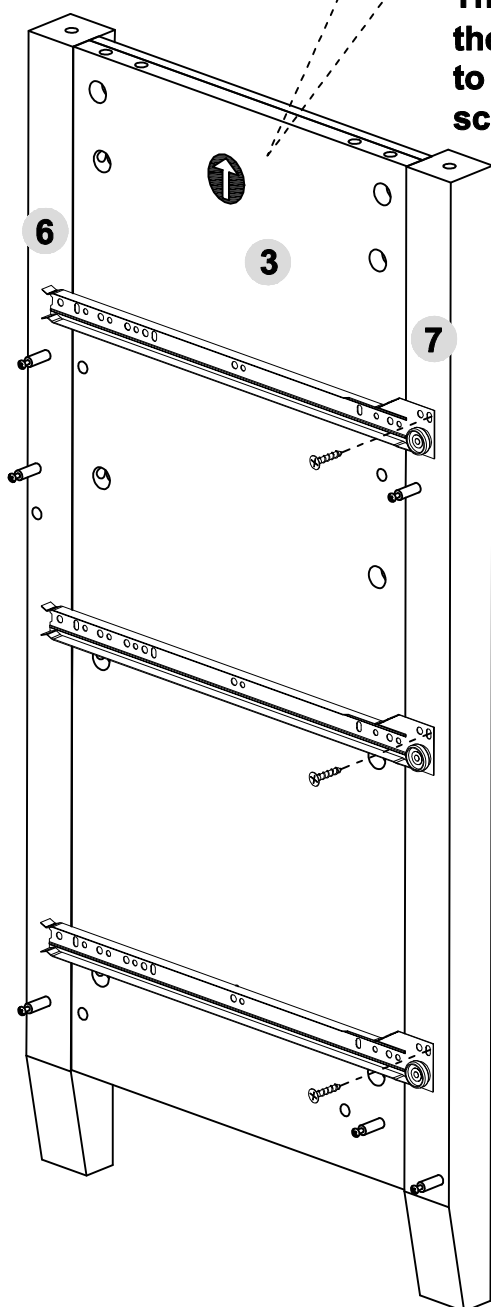


STEP 4-2

- Screw (F) to tighten the track slides as below shown.

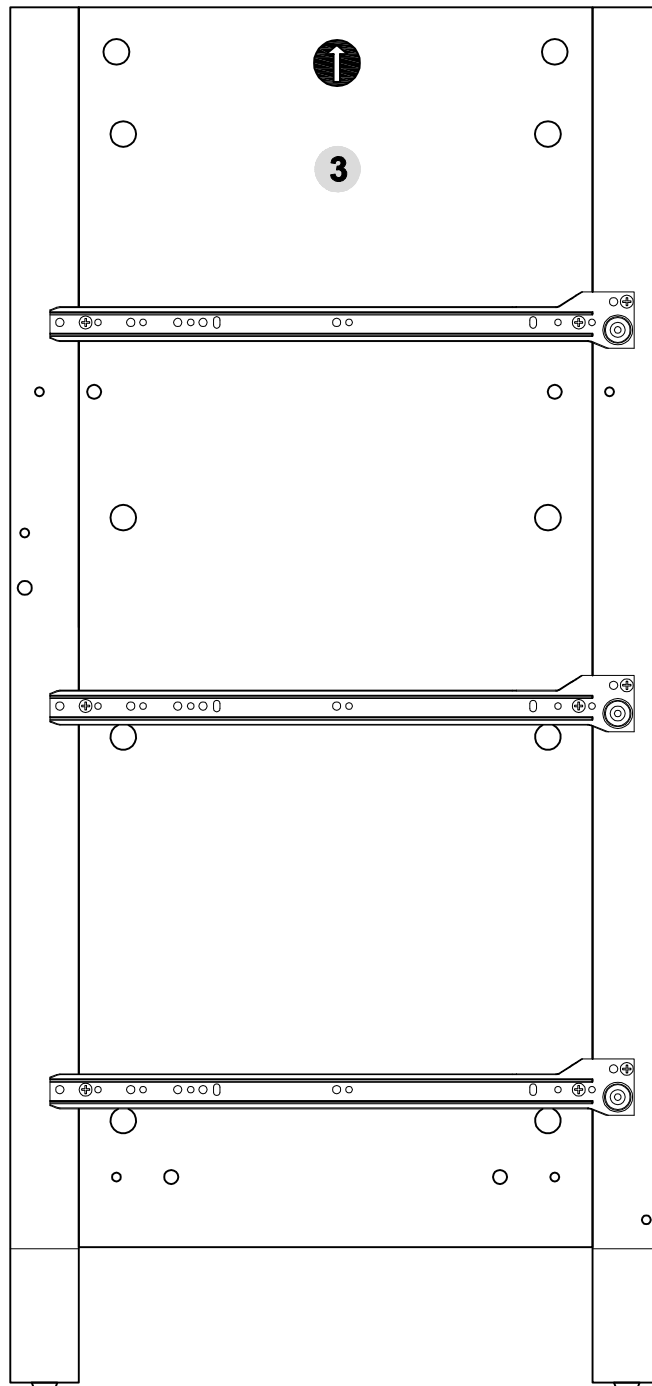


There are no pre-drilled holes corresponds to the UPPER row holes of the tightening. We need to confirm the position of the track slide, then screw the (F) on.



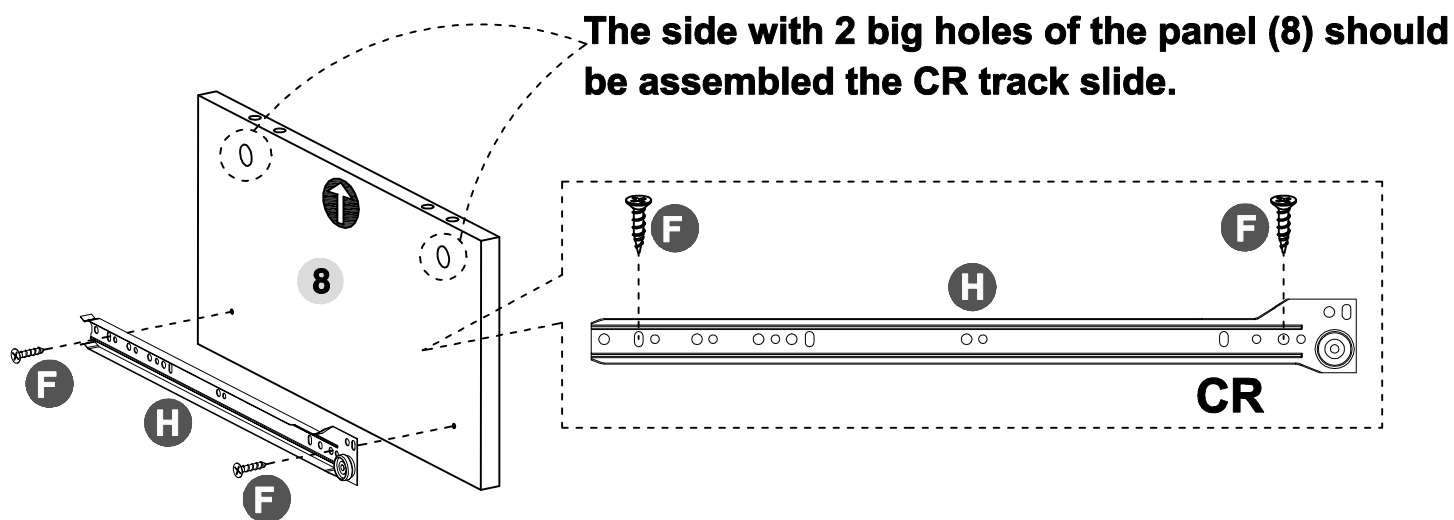
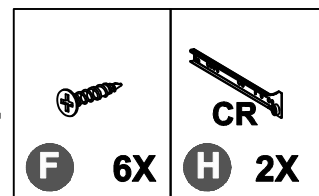
STEP 4-3

- Please refer the below look and check carefully after you assembled 3X CR track slides.
- Make sure you used 9 x (F).
- Make sure the end with roller of the track slides are in one direction.

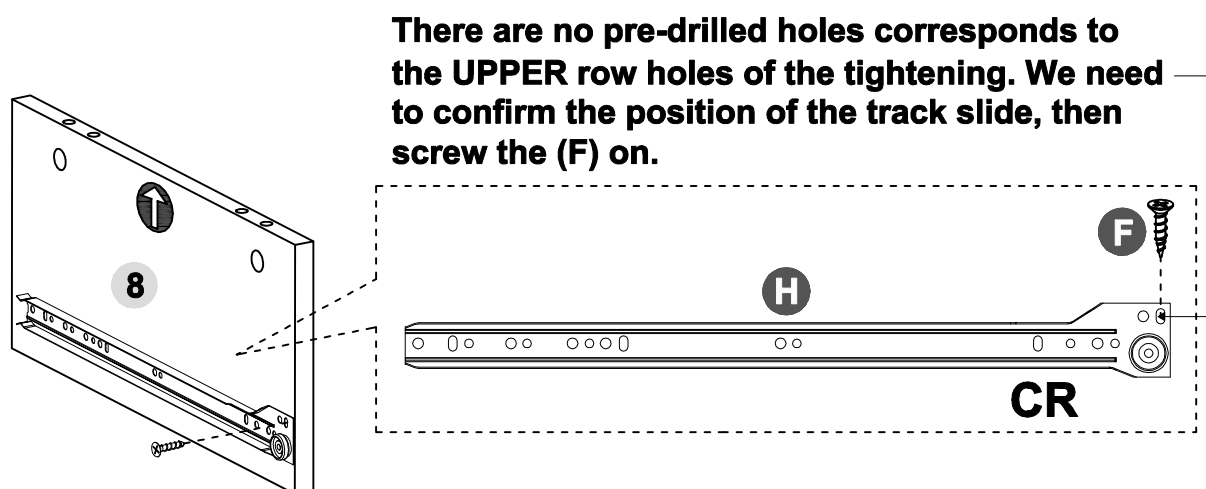


STEP 5-1

- Install the drawer slides (H) on the left side of Middle panel (8). There is a CR sign on the track. We have 7 X (H), one batch (H) has one CR track. So we need to open 2 batches (H) to get 2 CR tracks.
- Install CR track on the side with 2 big holes of panel (8).
- Screw (F) to tighten the track slides as below shown.

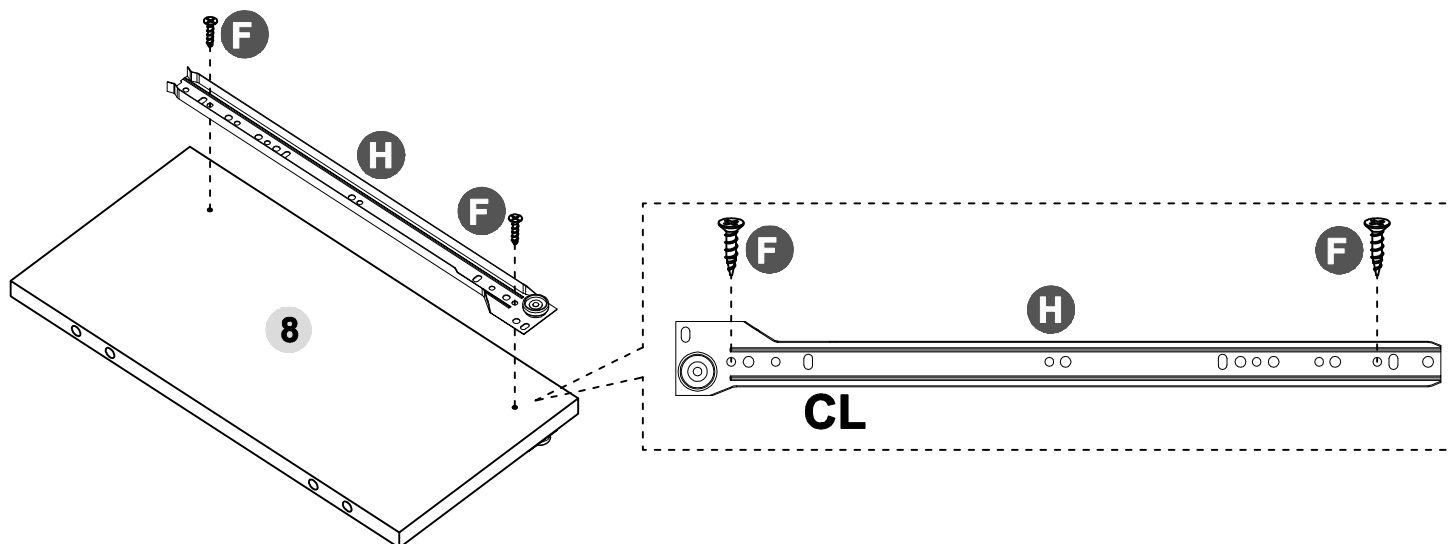
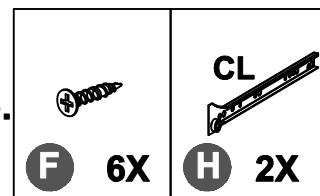


- Screw (F) to tighten the track slides as below shown.

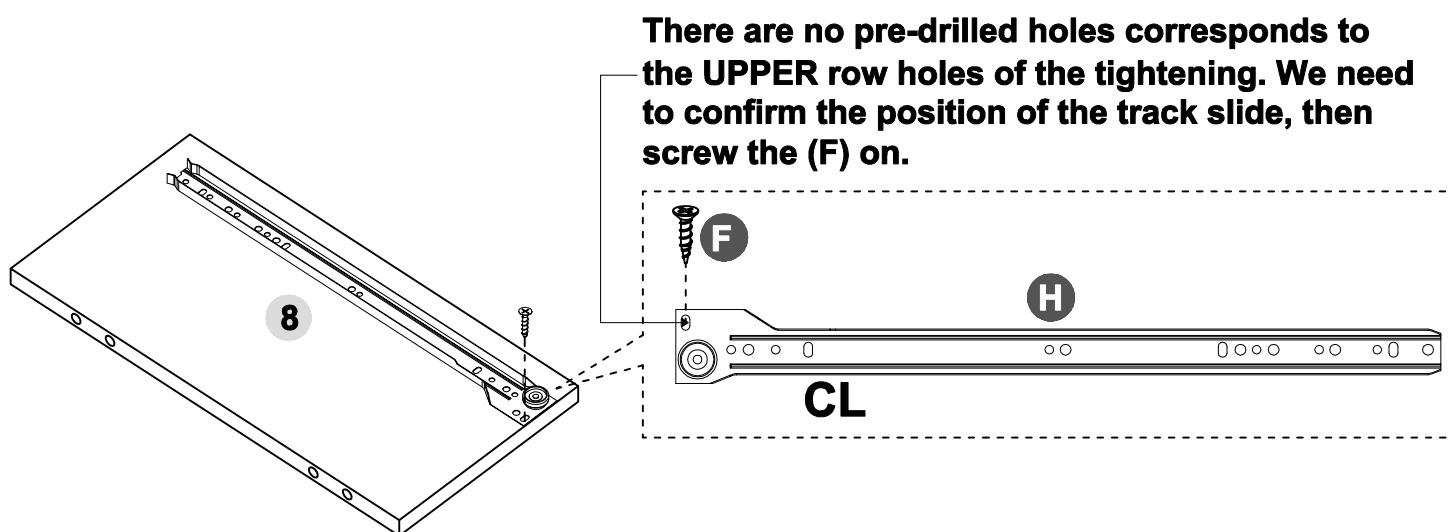


STEP 5-2

- Install the drawer slides (H) on the right side of Middle panel (8). There is a CL sign on the track. We have 7 X (H), one batch (H) has one CL track. So we need to open 2 batches (H) to get 2 CL tracks.
- Install CL track on the side without 2 big holes of panel (8).
- Screw (F) to tighten the track slides as below shown.



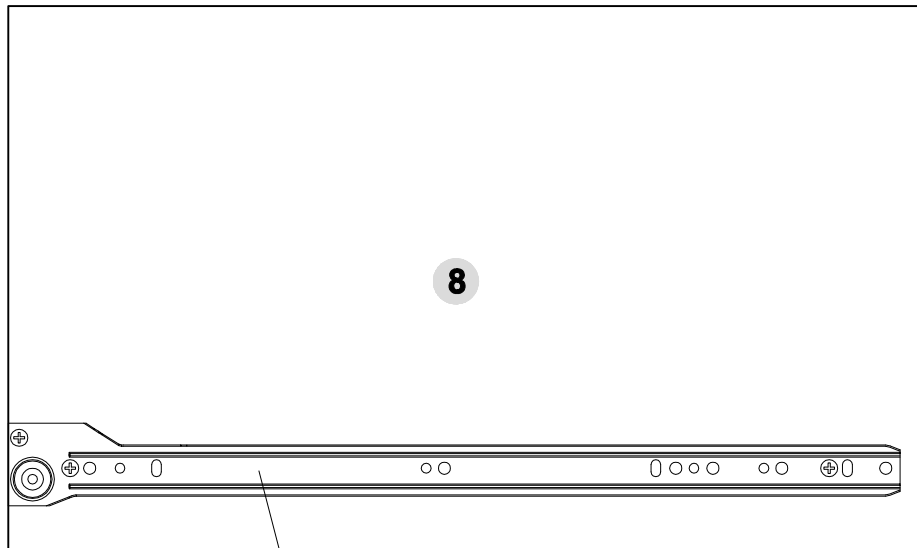
- Screw (F) to tighten the track slides as below shown.



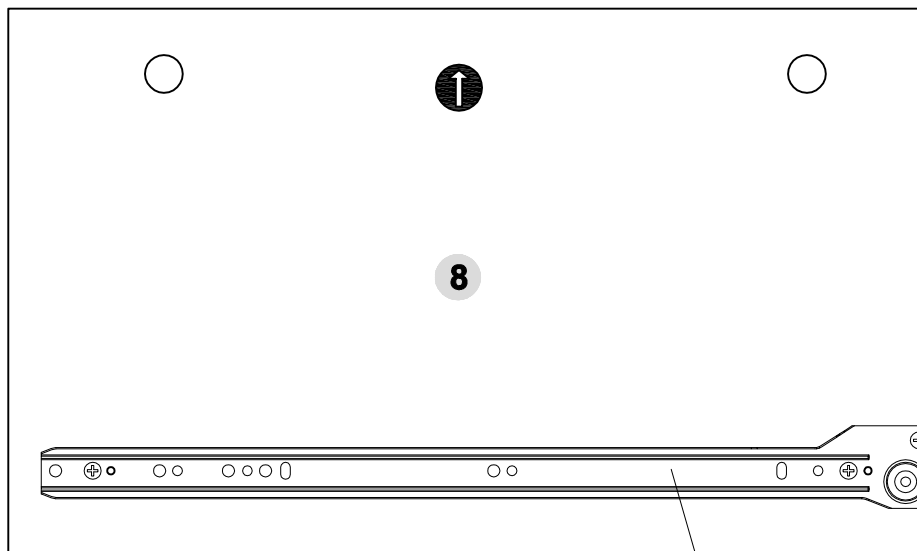
STEP 5-3

- Repeat the last step to assemble the CL and CR tracks on another panel (8).
- On one panel (8), make sure the end with roller of the 2 track slides are in one direction.

CL track should be assembled on this side without holes of the panel (8)



CL

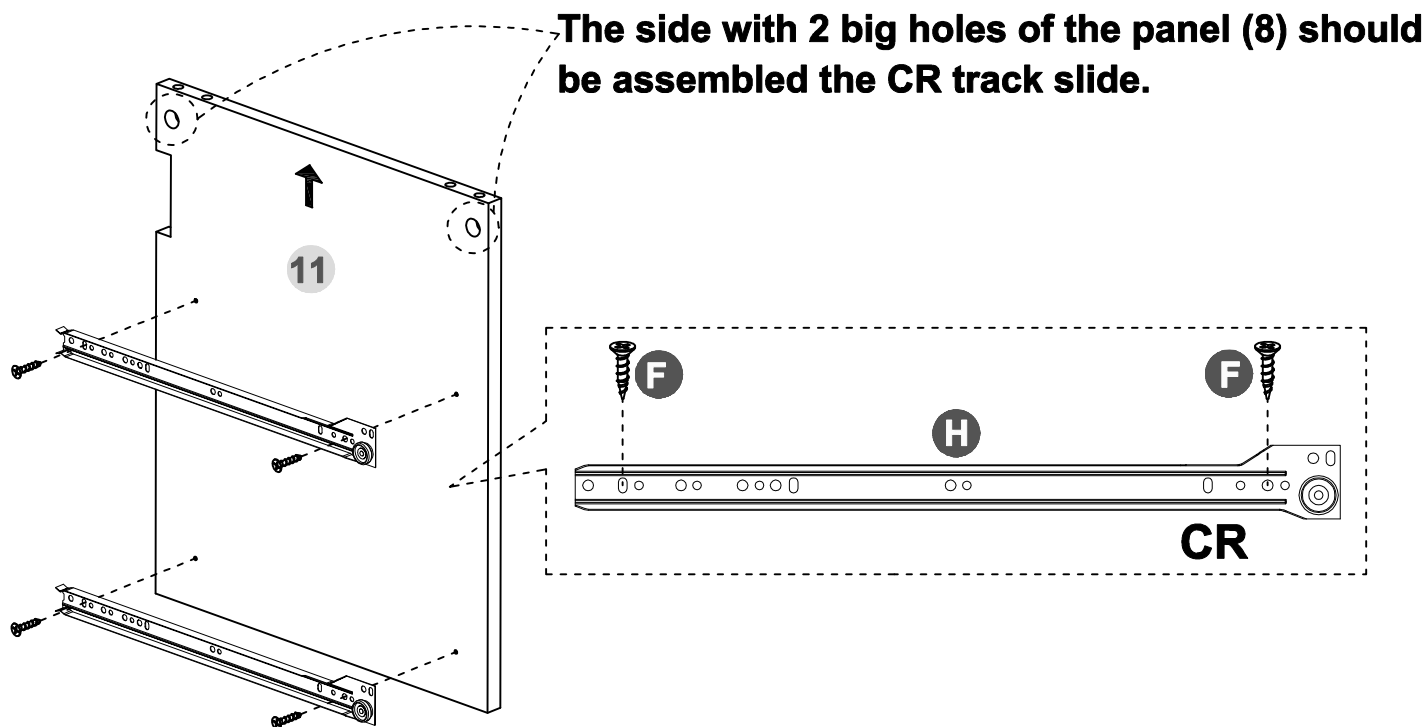
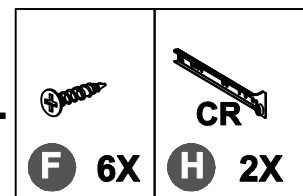


CR

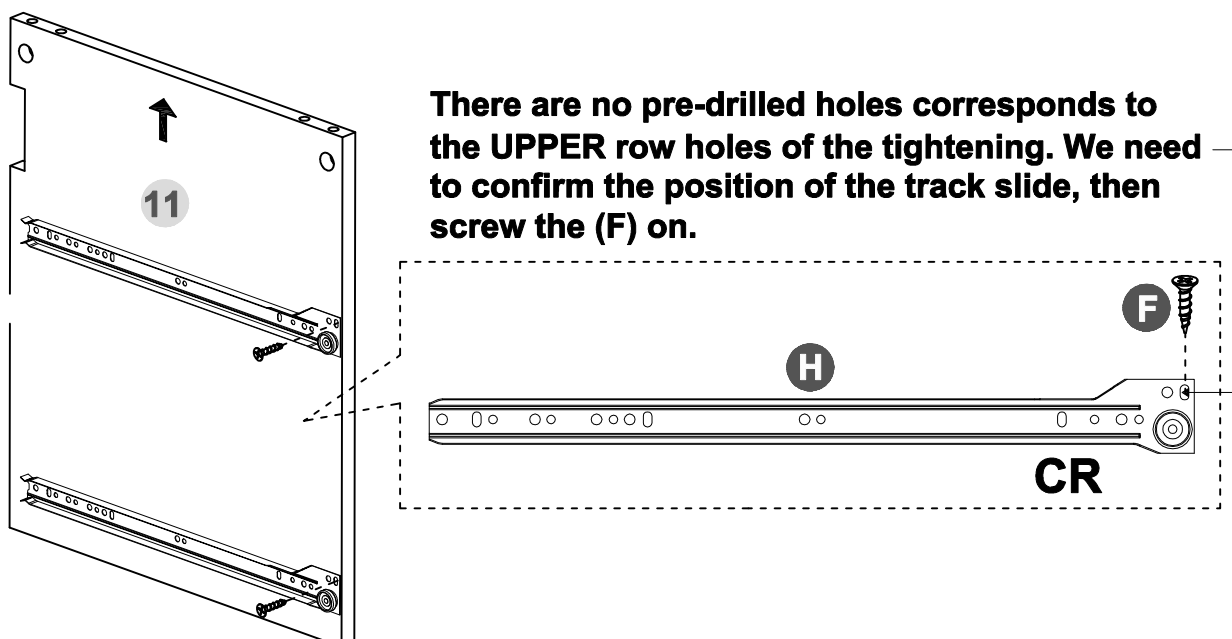
CR track should be assembled on this side with 2 holes of the panel (8)

STEP 6-1

- Install the drawer slides (H) on the left side of Middle panel (11). There is a CR sign on the track. We have 7 X (H), one batch (H) has one CR track. So we need to open 2 batches (H) to get 2 CR tracks.
- Install CR track on the side with 2 big holes of panel (8).
- Screw (F) to tighten the track slides as below shown.

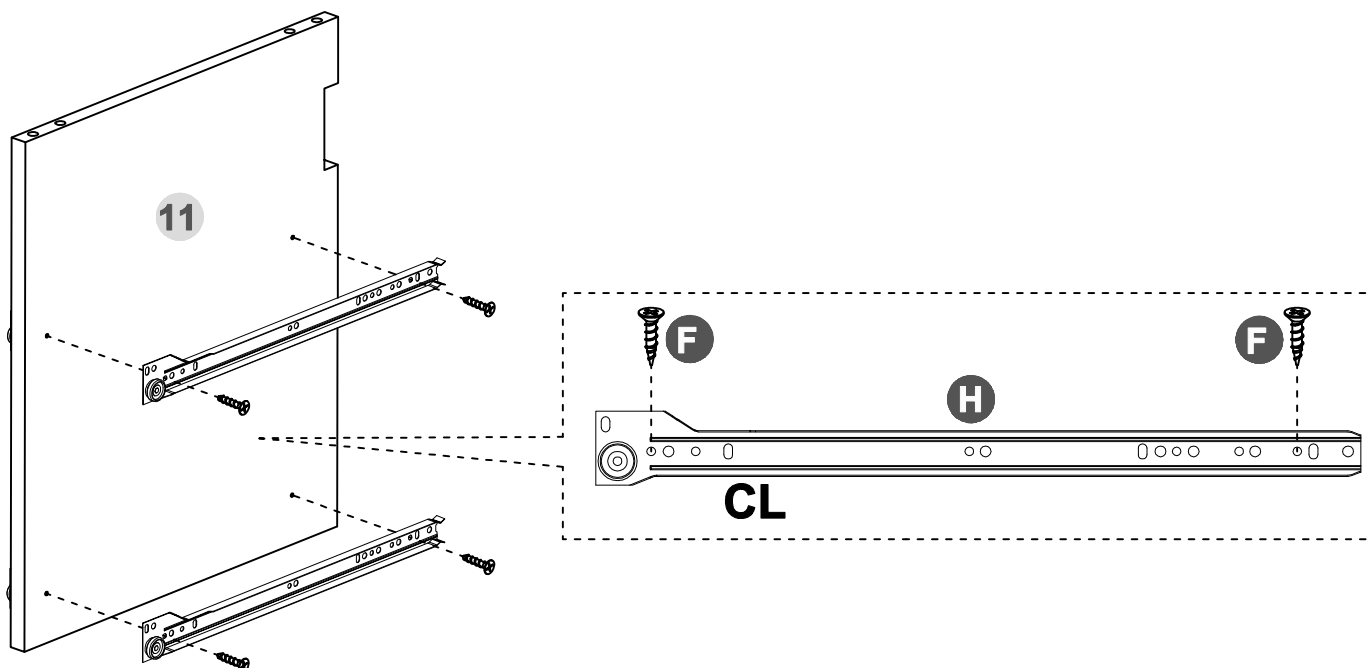
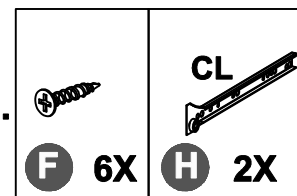


- Screw (F) to tighten the track slides as below shown.

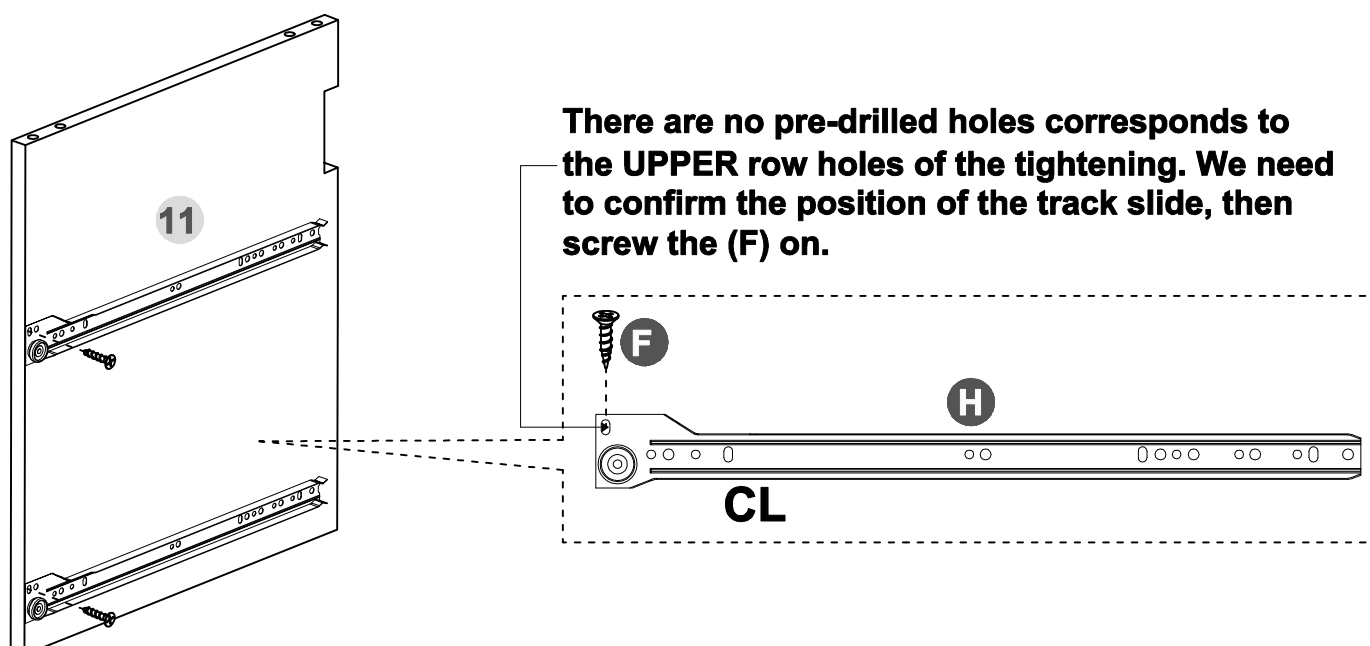


STEP 6-2

- Install the drawer slides (H) on the right side of Middle panel (11). There is a CL sign on the track. We have 7 X (H), one batch (H) has one CL track. So we need to open 2 batches (H) to get 2 CL tracks.
- Install CL track on the side without 2 big holes of panel (8).
- Screw (F) to tighten the track slides as below shown.



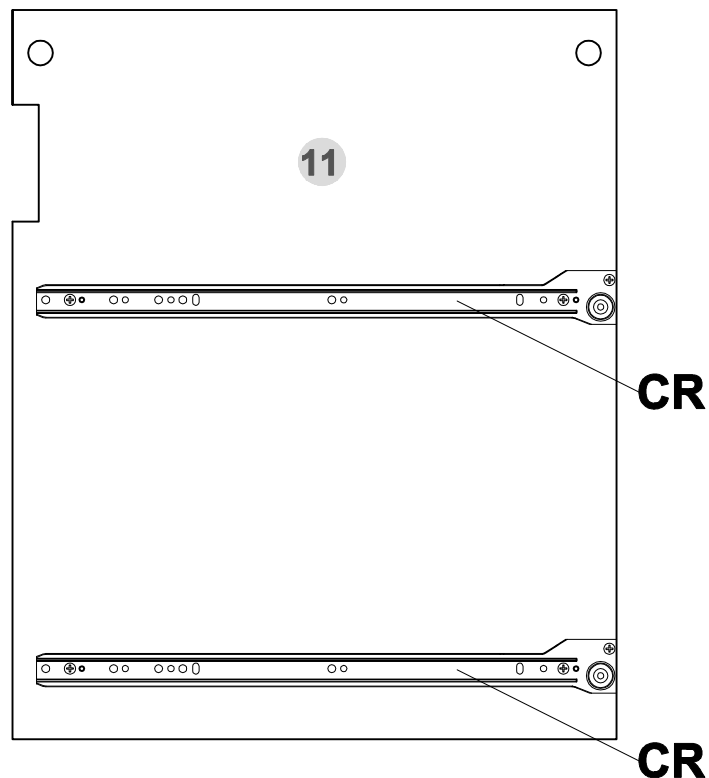
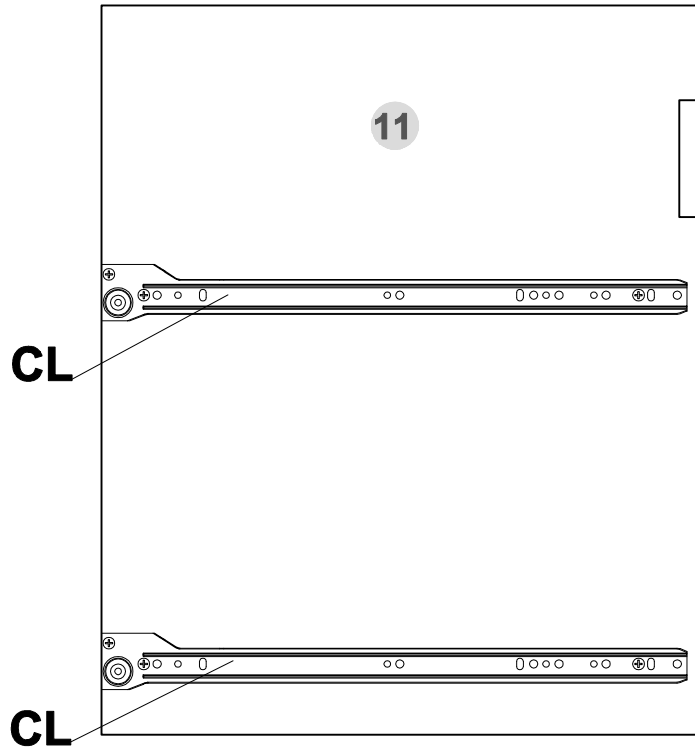
- Screw (F) to tighten the track slides as below shown.



STEP 6-3

- On one side of panel (11), should have 2 same track slides.
- On the panel (11), make sure the end with roller of the 4 track slides are in one direction.

CL tracks should be assembled on this side without holes of the panel (11)

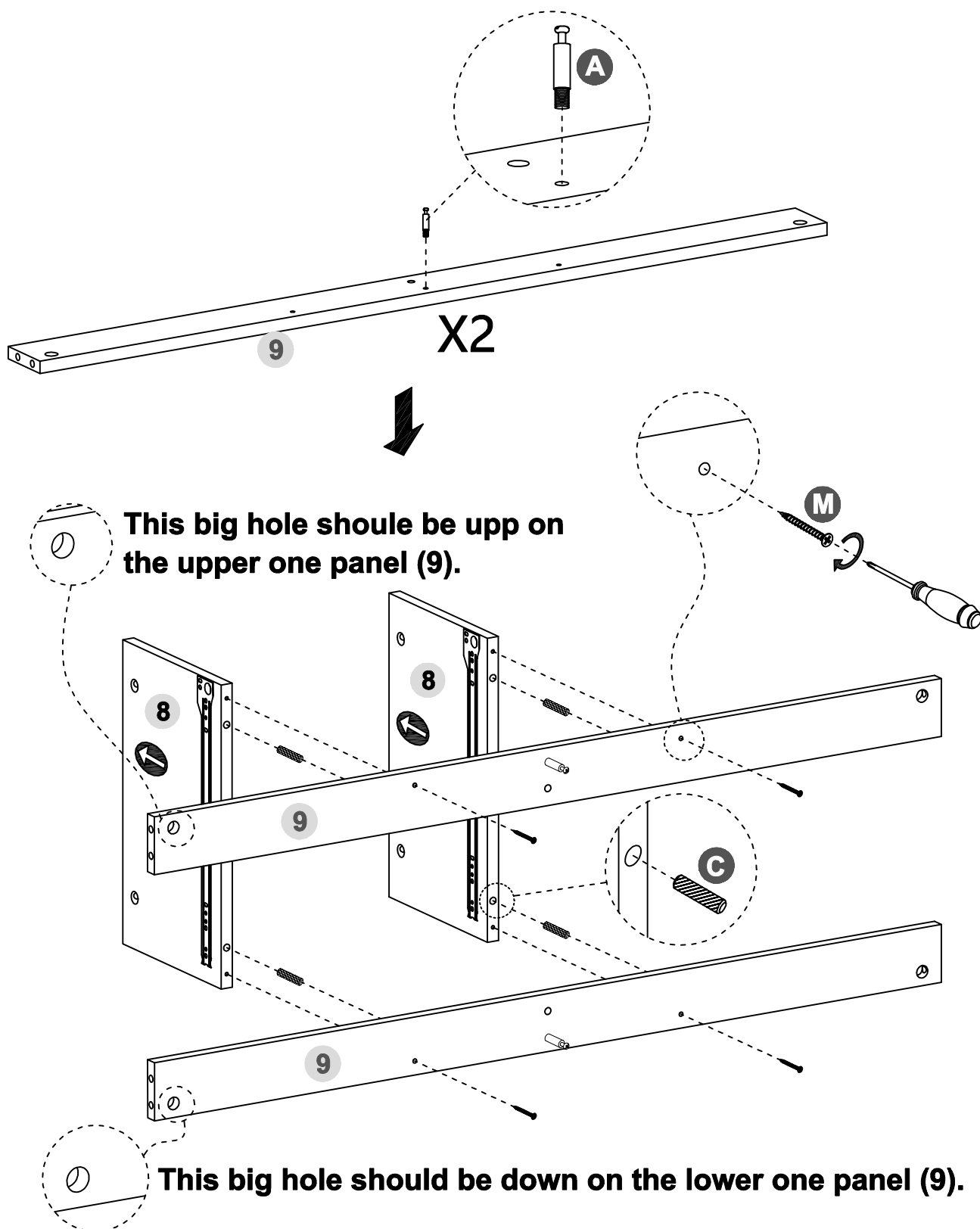
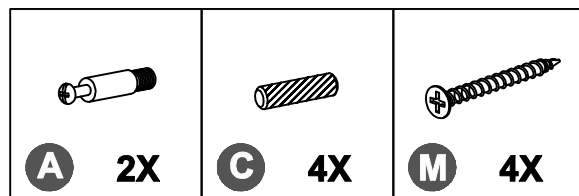


CR tracks should be assembled on this side with 2 holes of the panel (11)

STEP 7

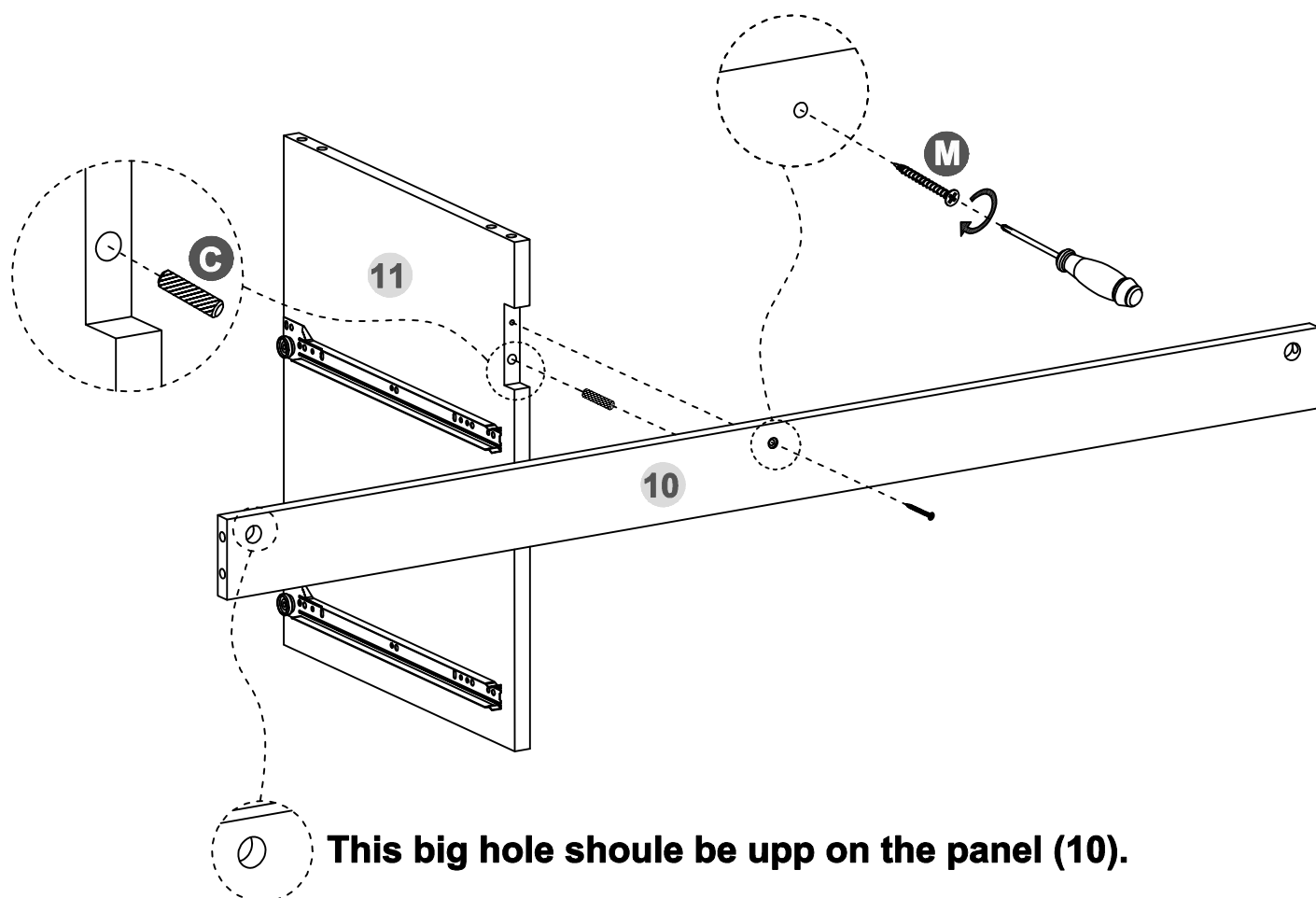
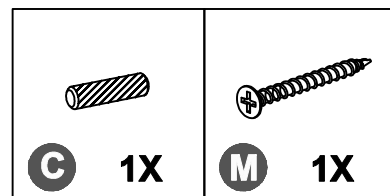
Make sure the end with roller of all track slides are in one direction before take next assemble step.

- Screw (A) to (9) as below shown
- Screw (C) to (8) as below shown
- Attach (9) to (8) as below shown
- Screw (M) to lock (9) to the (8) as below shown



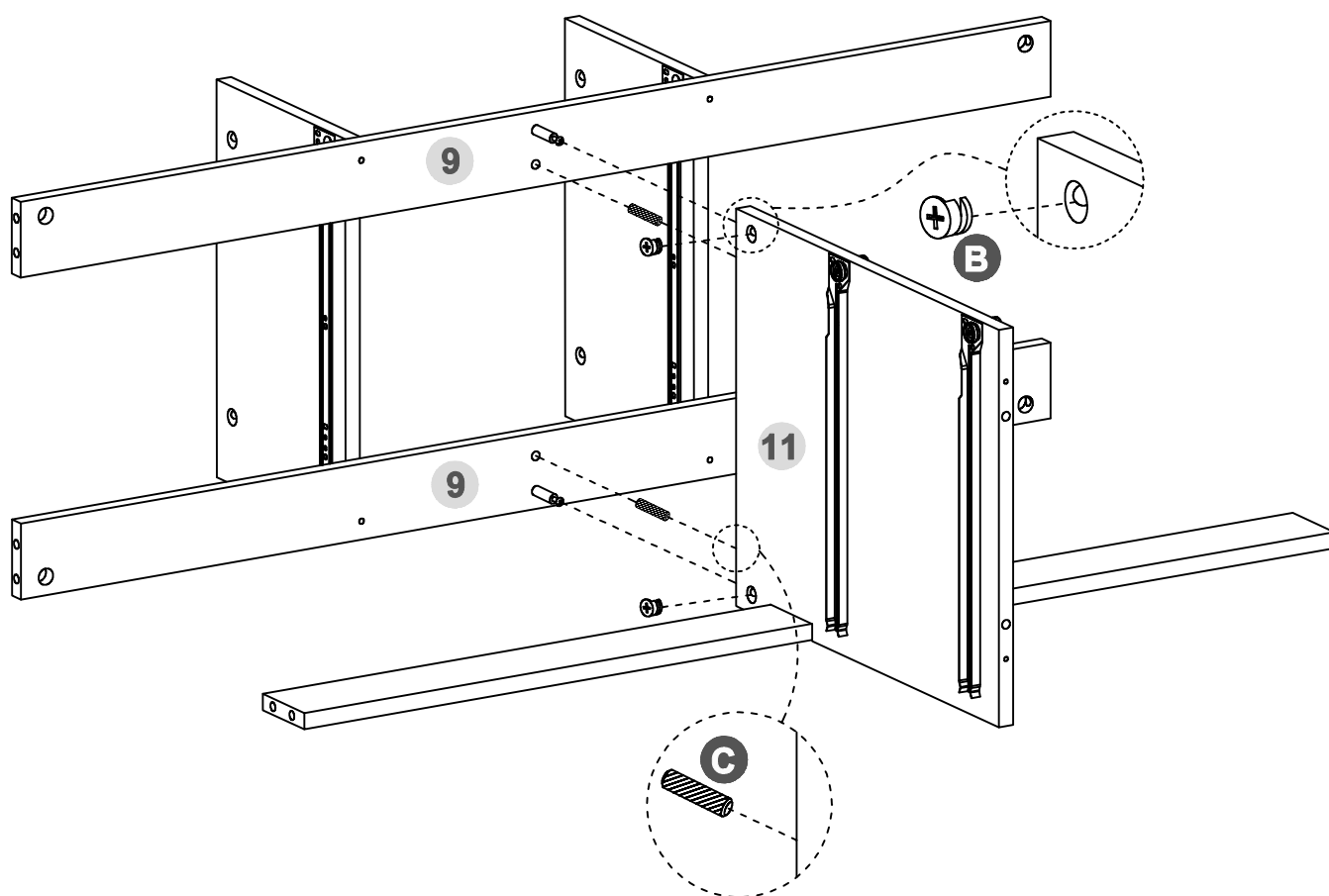
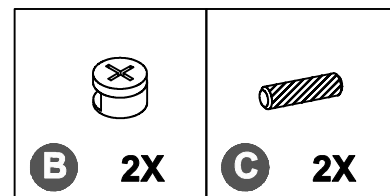
STEP 8

- Screw (C) to (11) as below shown
- Attach (10) to (11) as below shown
- Screw (M) to lock (10) to the (11) as below shown






STEP 9

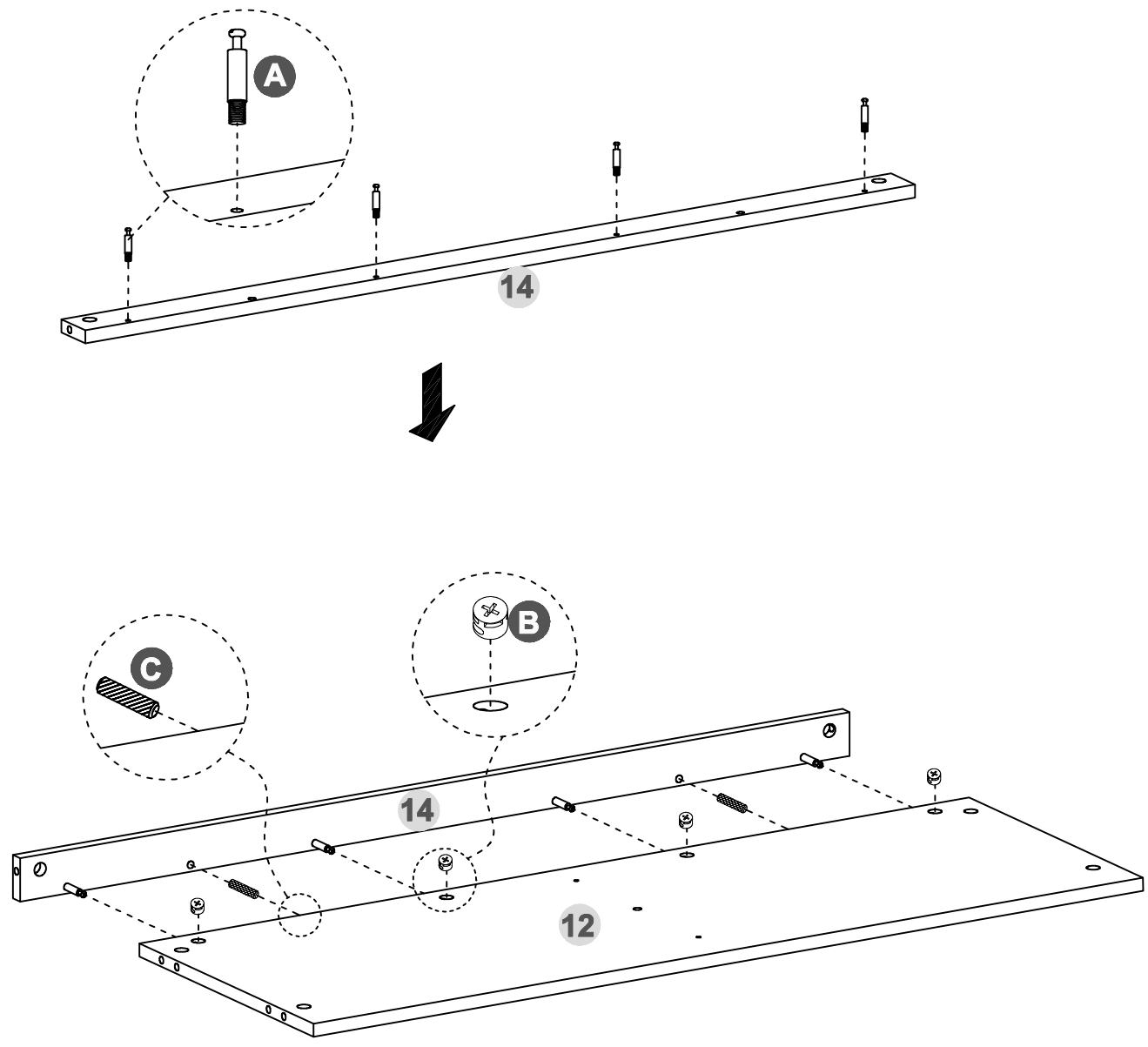
- Screw (C) to (11) as below shown
- Attach (9) to (11) as below shown
- Screw (B) to lock the (11)&(9) as below shown



STEP 10

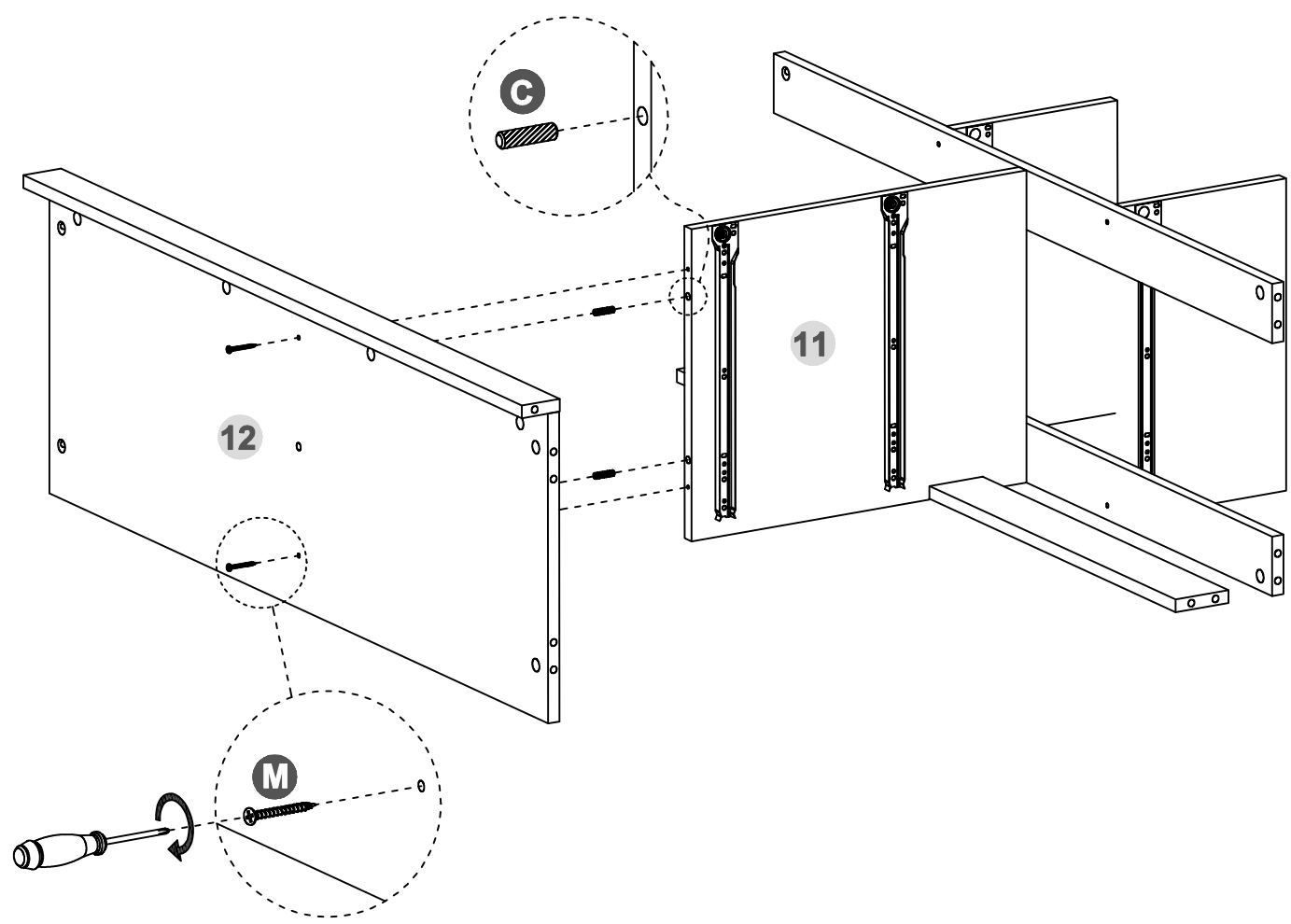
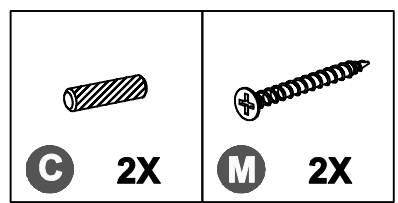
- Screw (A) to (14) as below shown
- Screw (C) to (12) as below shown
- Attach (14) to (12) as below shown
- Screw (B) to lock the (12)&(14) as below shown

		
A 4X	B 4X	C 2X



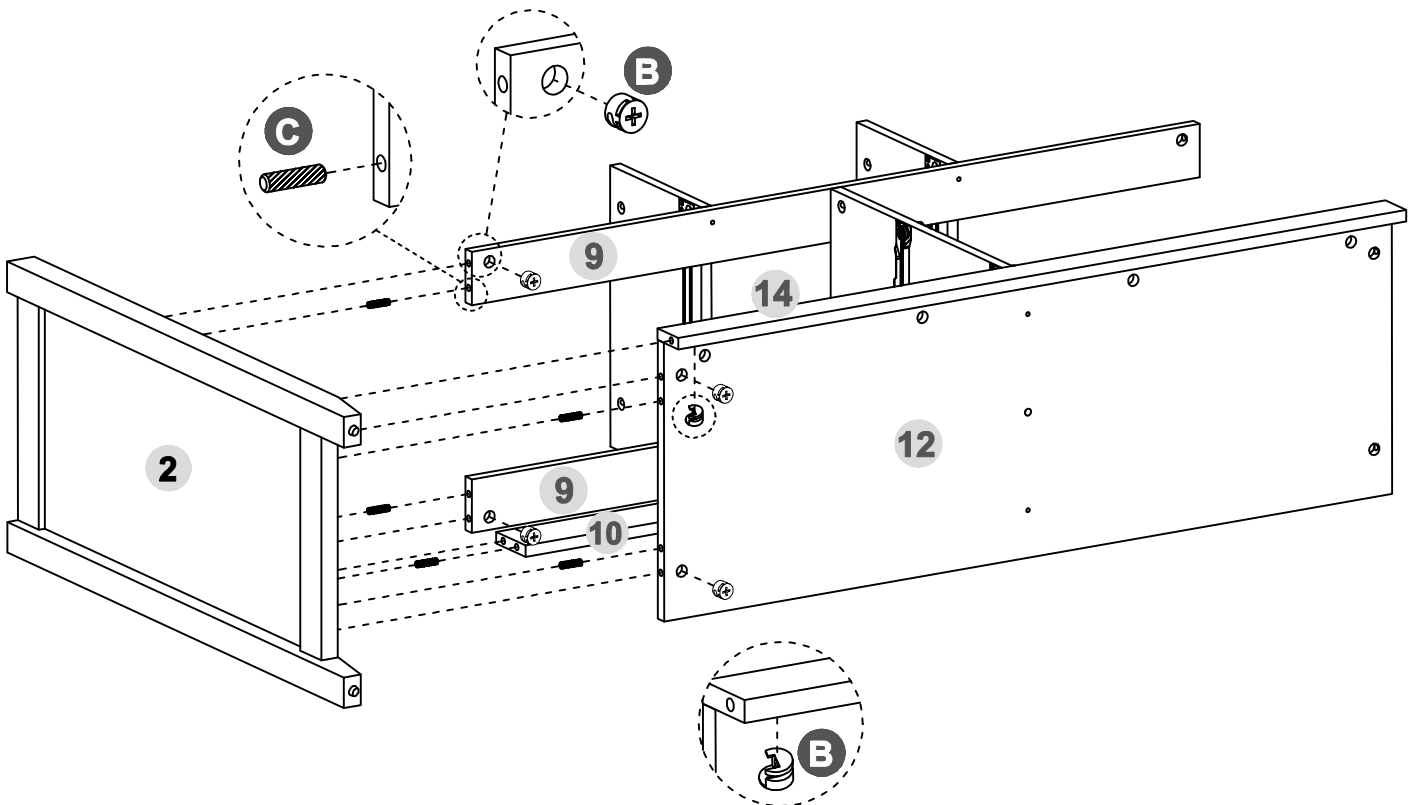
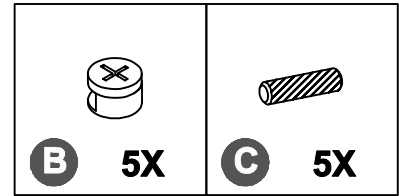
STEP 11

- Screw (C) to (11) as below shown
- Attach (12) to (11) as below shown
- Screw (M) to lock (12) to the (11) as below shown



STEP 12



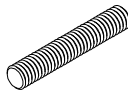
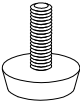
- Screw (C) to (9)&(10)&(12) as below shown
- Attach (9)&(10)&(12)&(14) to (2) as below shown
- Screw (B) to lock the (9)&(12)&(14) as below shown

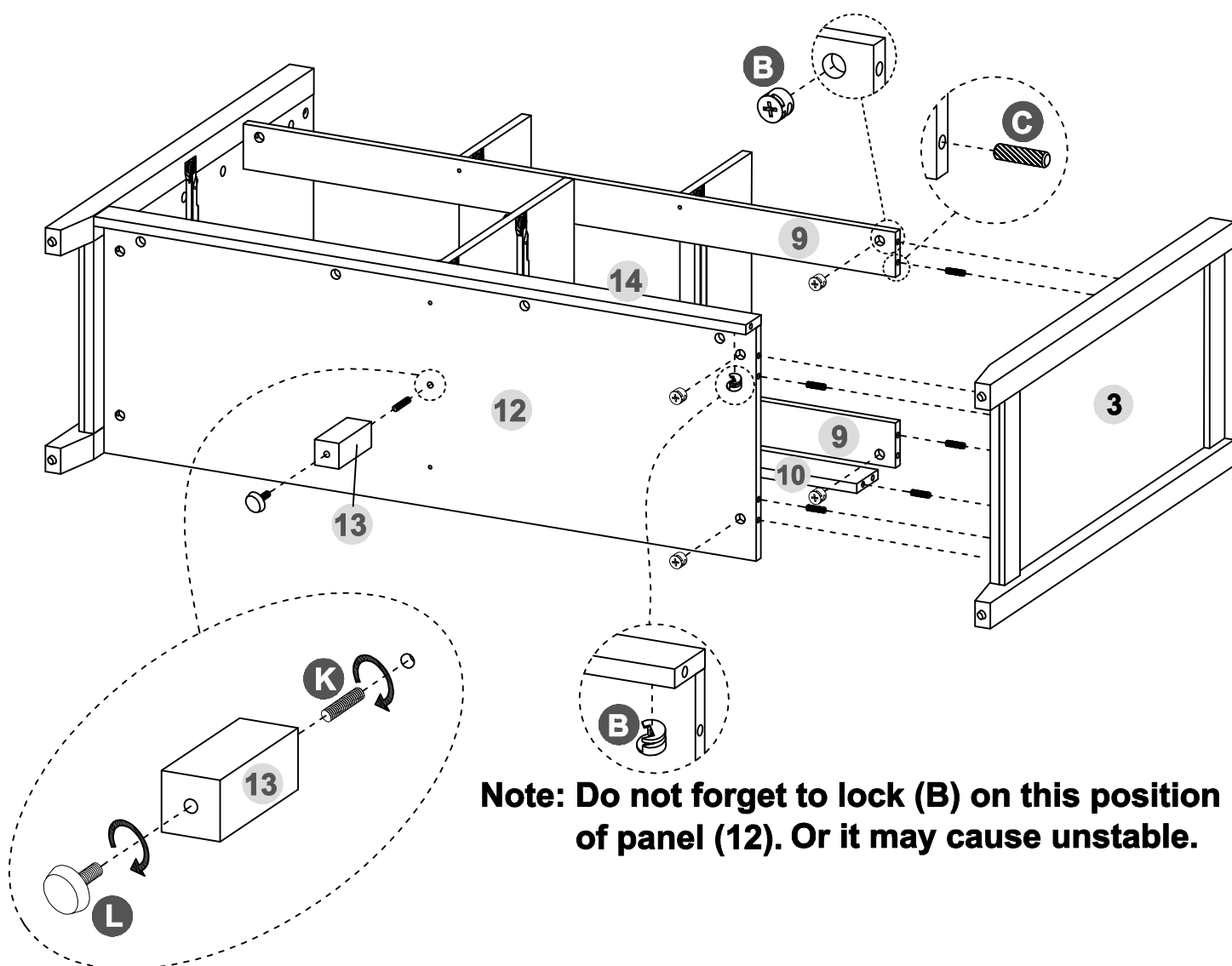


**Note: Do not forget to lock (B) on this position of panel (12).
Or it may cause unstable.**

STEP 13

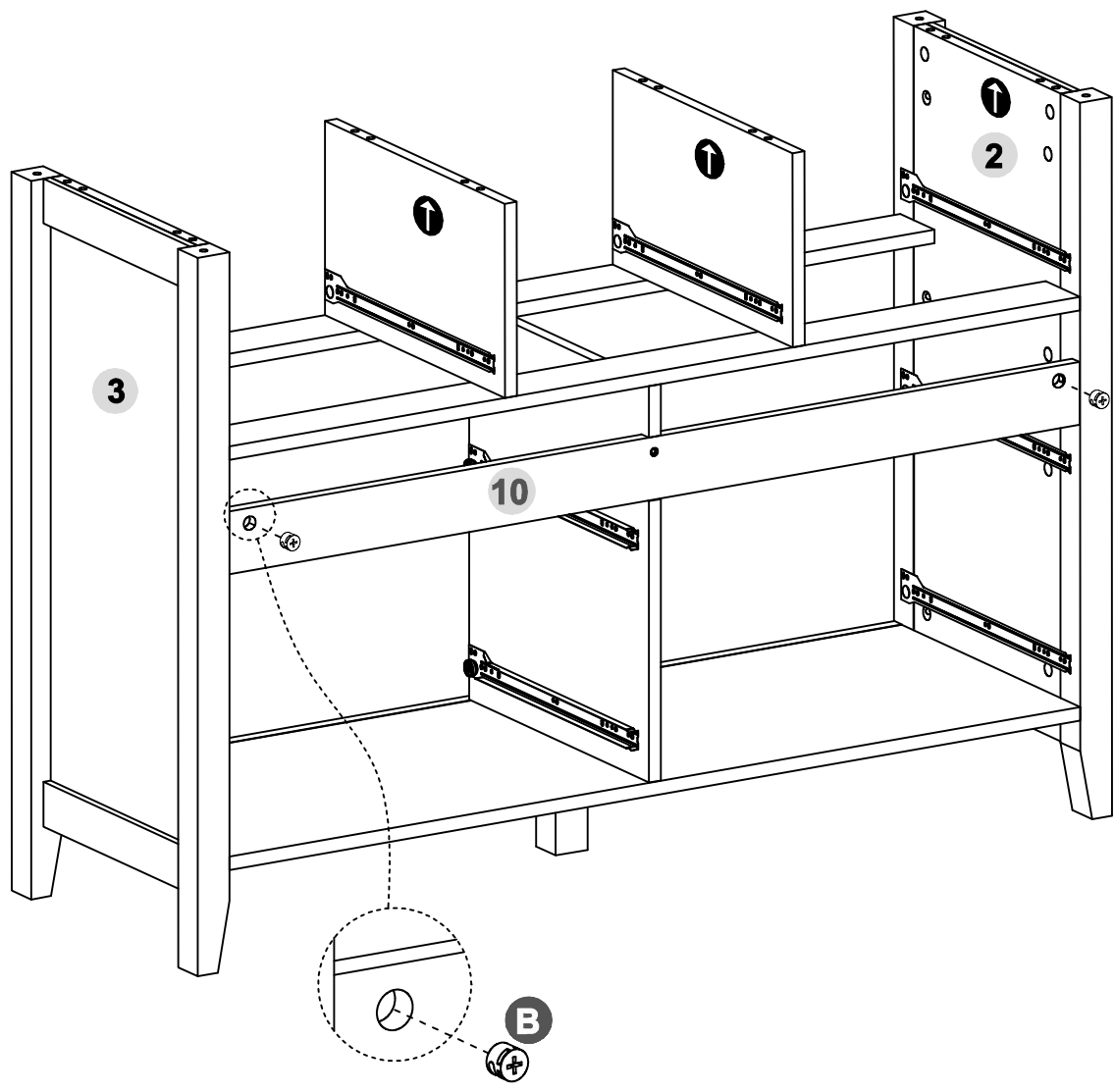
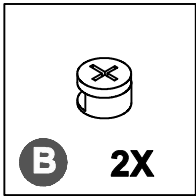
- Screw (C) to (9)&(10)&(12) as below shown
- Attach (9)&(10)&(12)&(14) to (3) as below shown
- Screw (B) to lock the (9)&(12)&(14) as below shown
- Screw (K) to lock (13) to the (12) as below shown
- Screw (L) to (13) as below shown

 B 5X	 C 5X
 K 1X	 L 1X



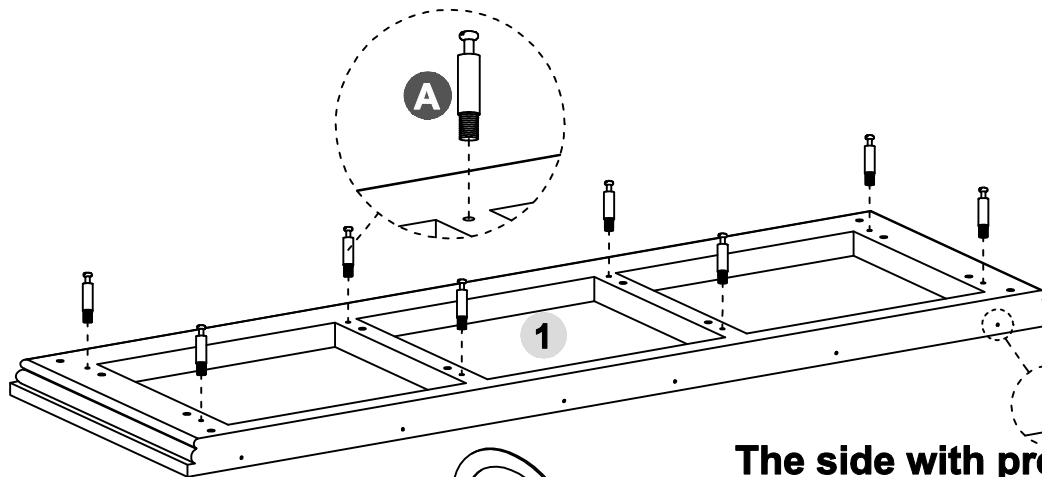
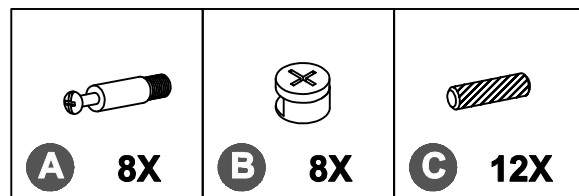
STEP 14

- Screw (B) to lock the (10) as below shown



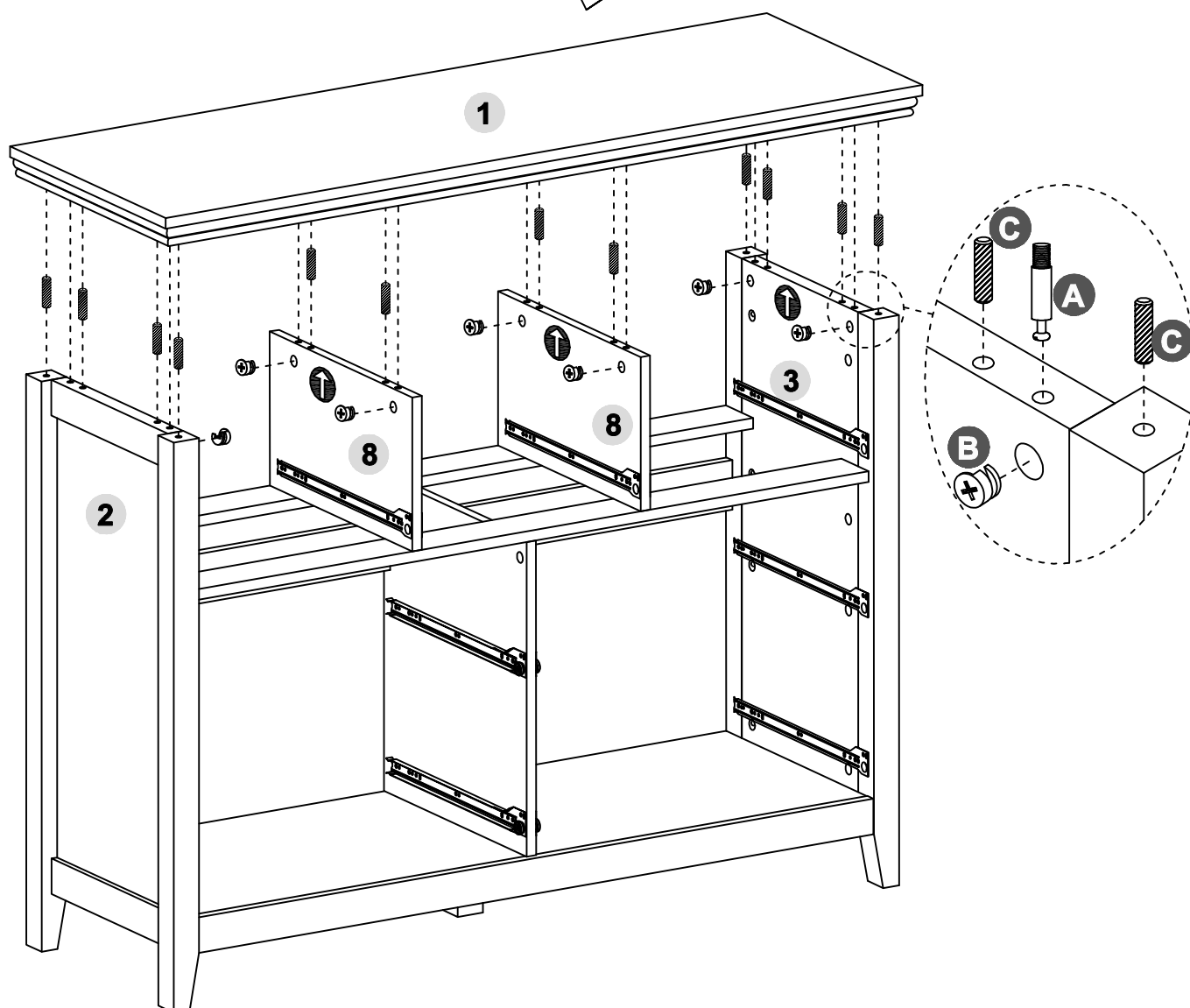
STEP 15

- Screw (A) to (1) as below shown
- Screw (C) to (2)&(3)&(8) as below shown
- Flip (1) , attach (1) to (2)&(3)&(8) as below shown
- Screw (B) to lock the (2)&(3)&(8) as below shown



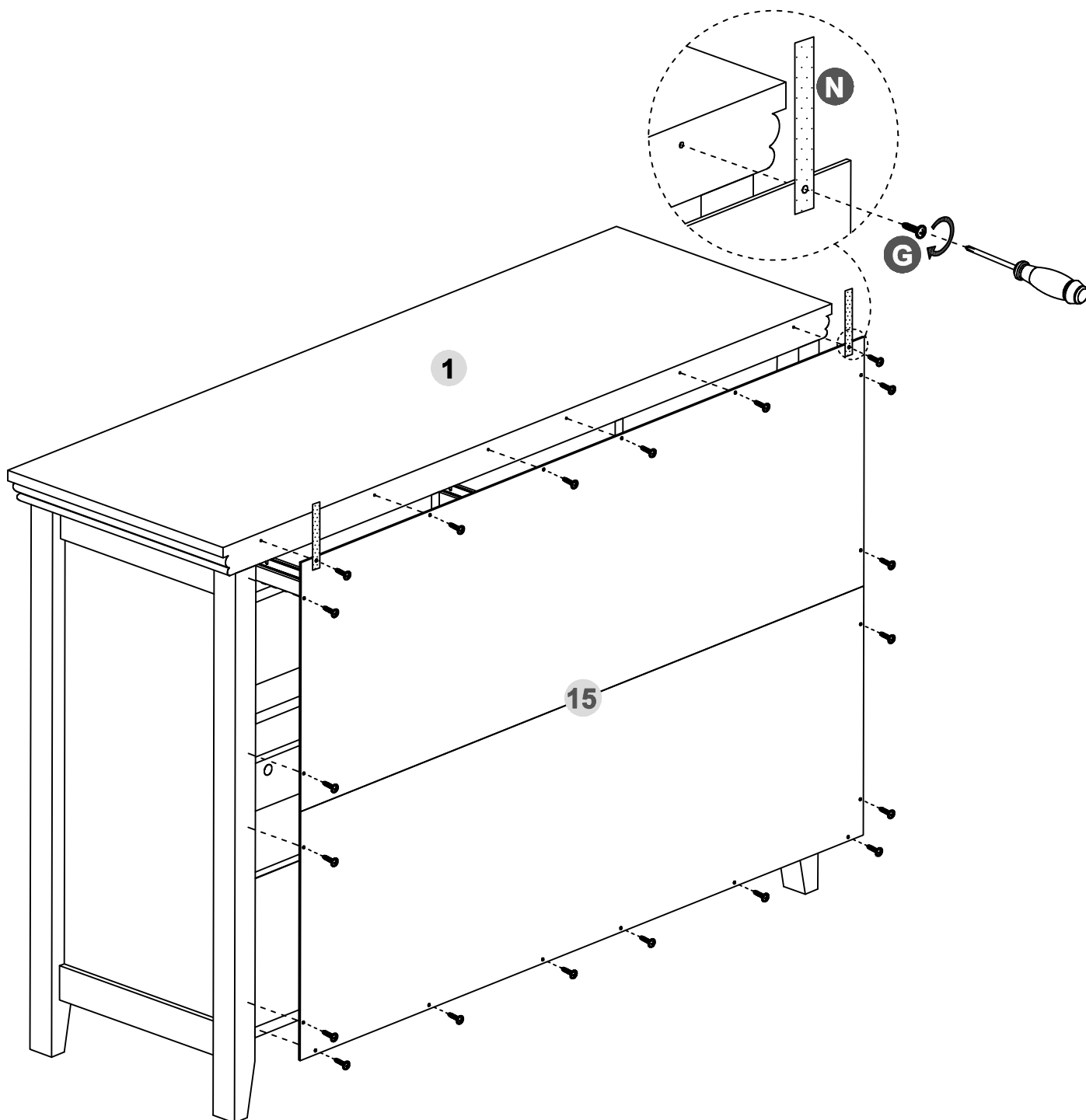
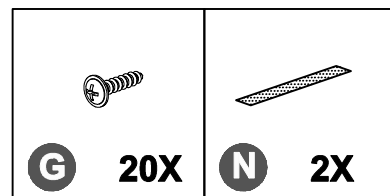
The side with pre-drilled holes is the back of the panel (1).

180°



STEP 16

- Screw (G) to Back panel (15) as below shown
- Stick (N) to (1)&(15), use (G) locked

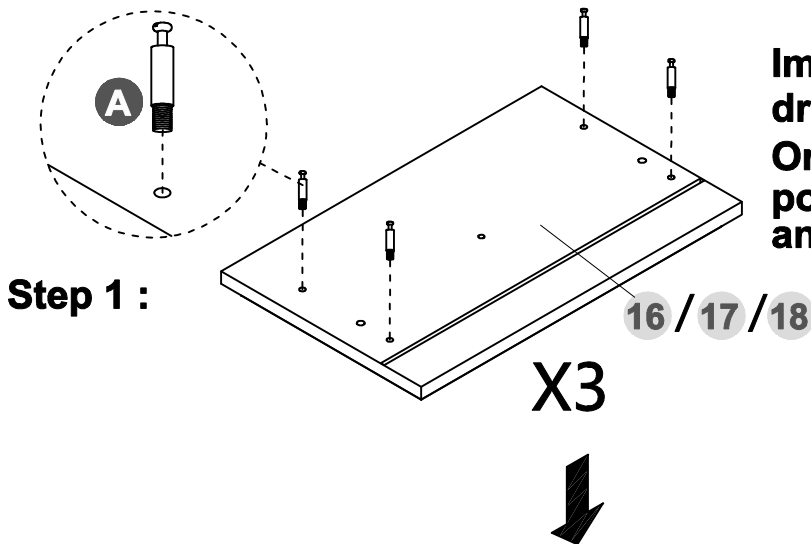
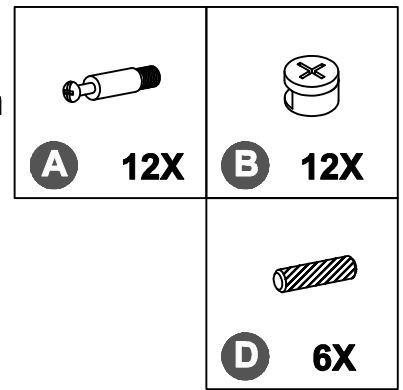


Warm Tips: For installing the back panel easier, we should lay down the dresser body, let the front face the ground and the back should be up, then ready to assemble the back panel (15). We suggest use a power drill to install the back panel.

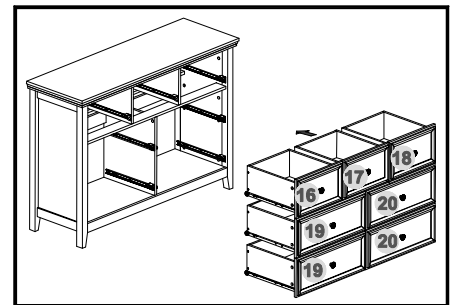
STEP 17

Warning: Keep the number stickers on panels until finish assembling. Or may put drawers in wrong position and cause drawer stuck and improper outlook!

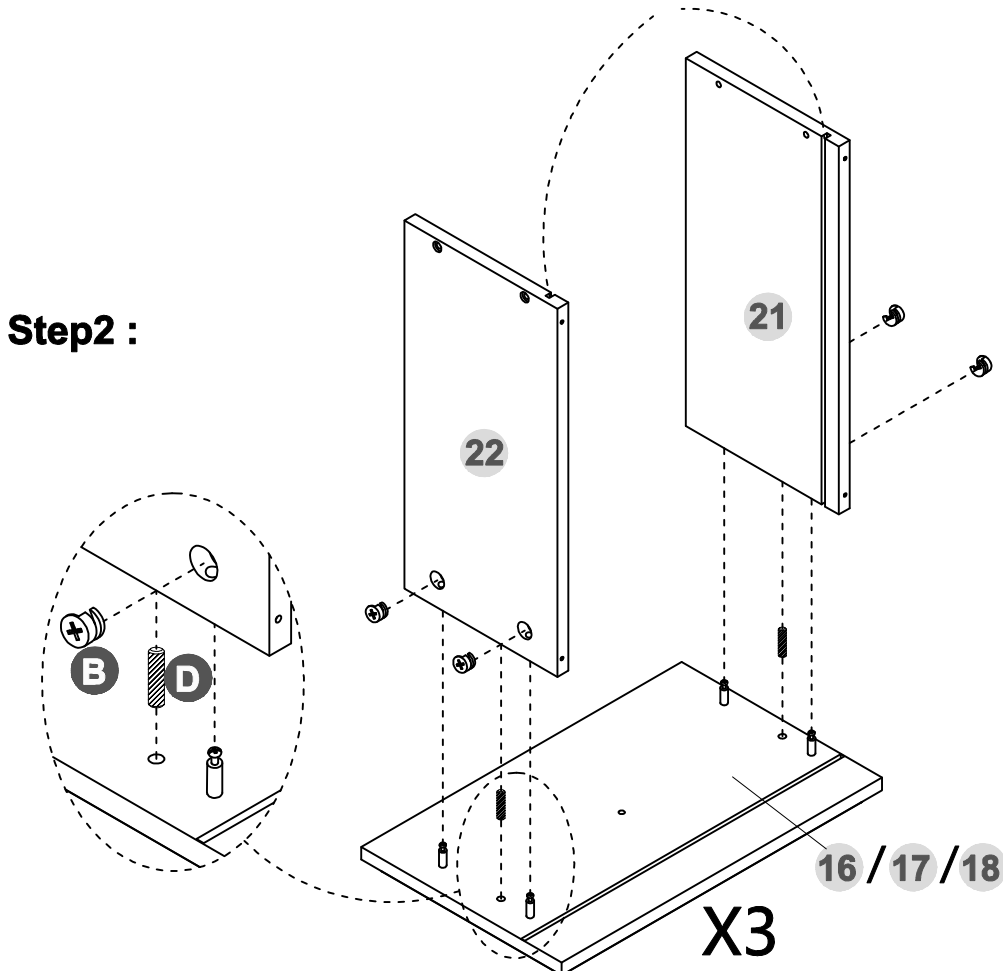
- Screw (A)&(D) to (16)&(17)&(18) as below shown
- Attach (21)&(22) to (16)&(17)&(18) as below shown
- Screw (B) to lock the (21)&(22) as below shown



Important! Be sure to install the drawers in the order shown. Or may put drawers in wrong position and cause drawer stuck and improper outlook!

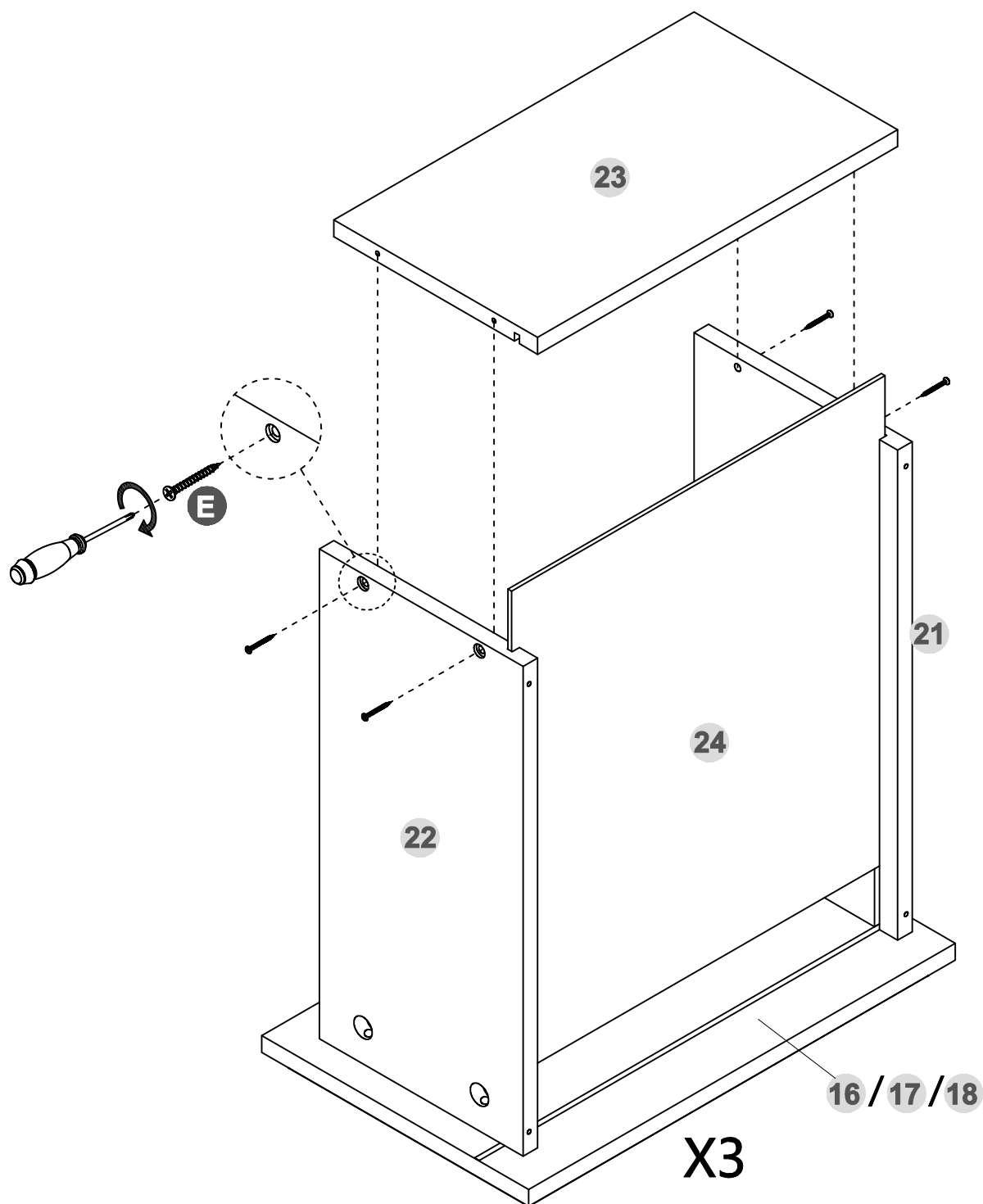
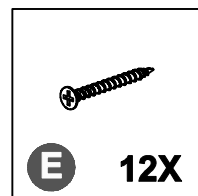


The long groove on the panel is used to install the bottom plate. Please make sure all grooves of these boards are on the same side.



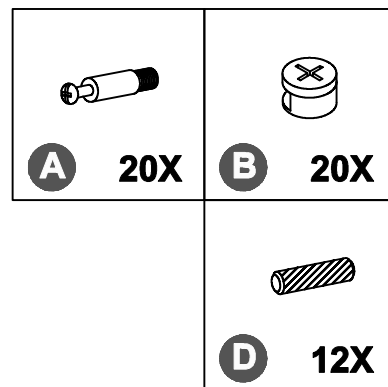
STEP 18

- Attach (23)&(24) to (21)&(22) as below shown
- Screw (E) to attach (21)&(22) to (23) as below shown

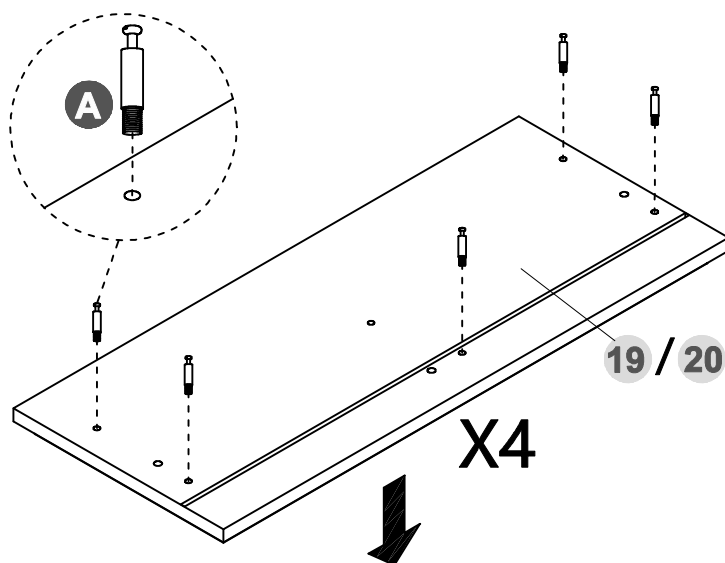


STEP 19

- Screw (A)&(D) to (19)&(20) as below shown
- Attach (21)&(22)&(27) to (19)&(20) as below shown
- Screw (B) to lock the (21)&(22)&(27) as below shown

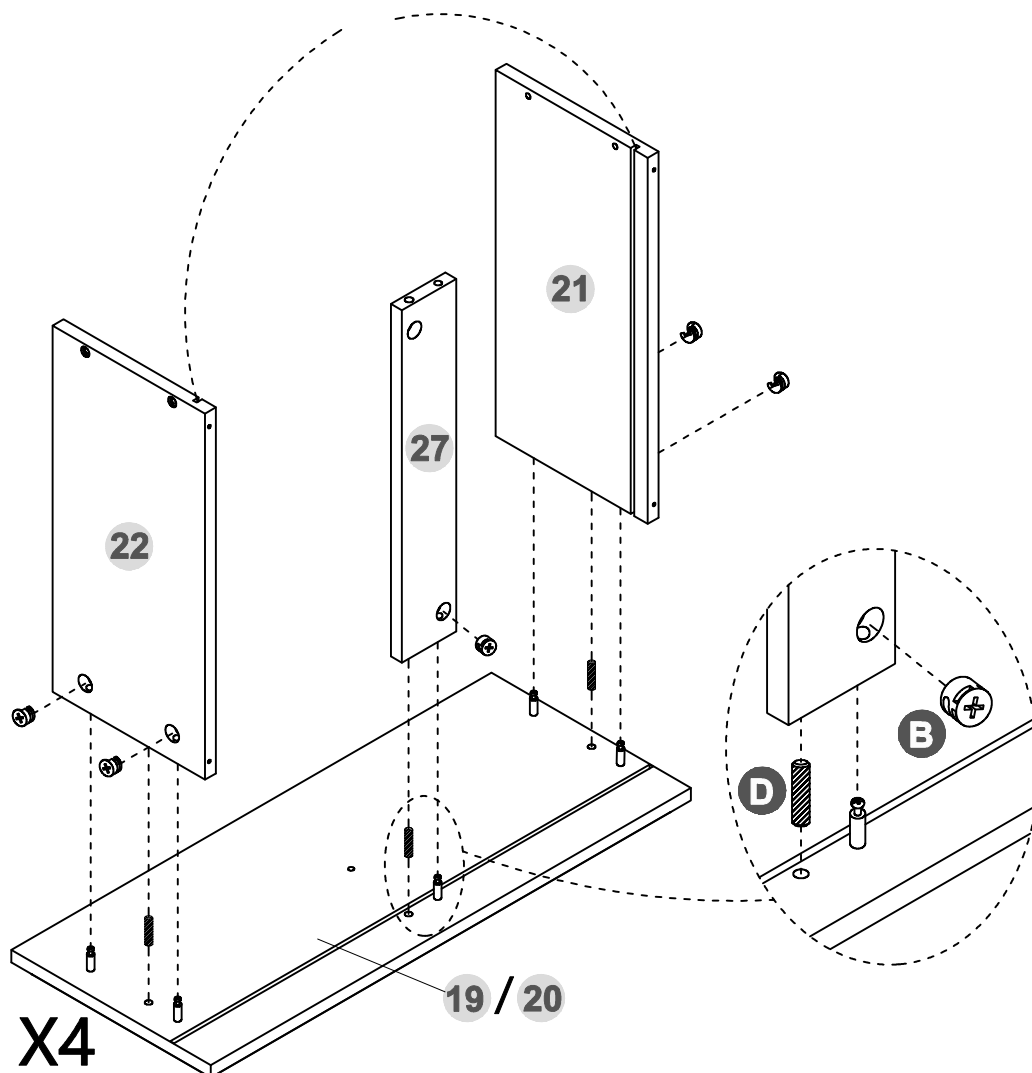


Step 1 :

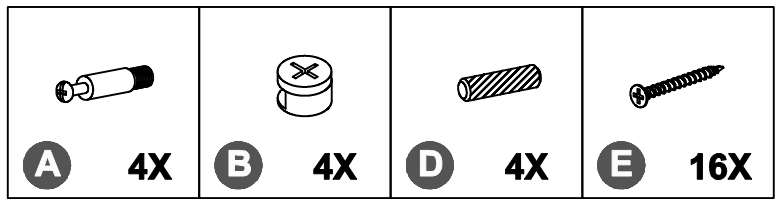


The long groove on the panel is used to install the bottom plate. Please make sure all grooves of these boards are on the same side.

Step2 :

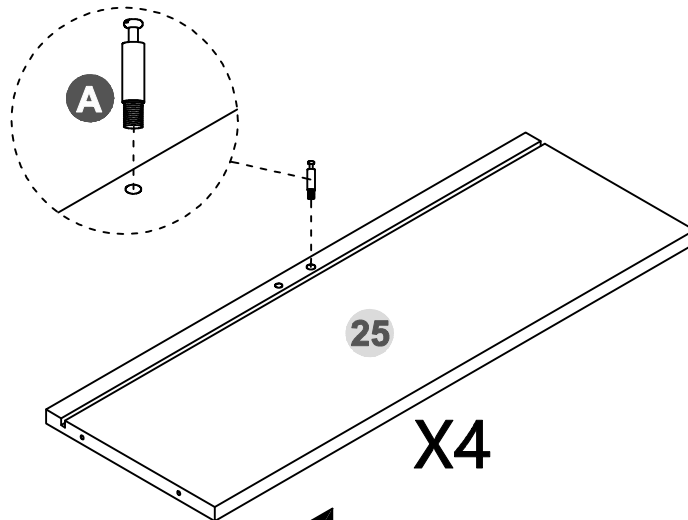


STEP 20

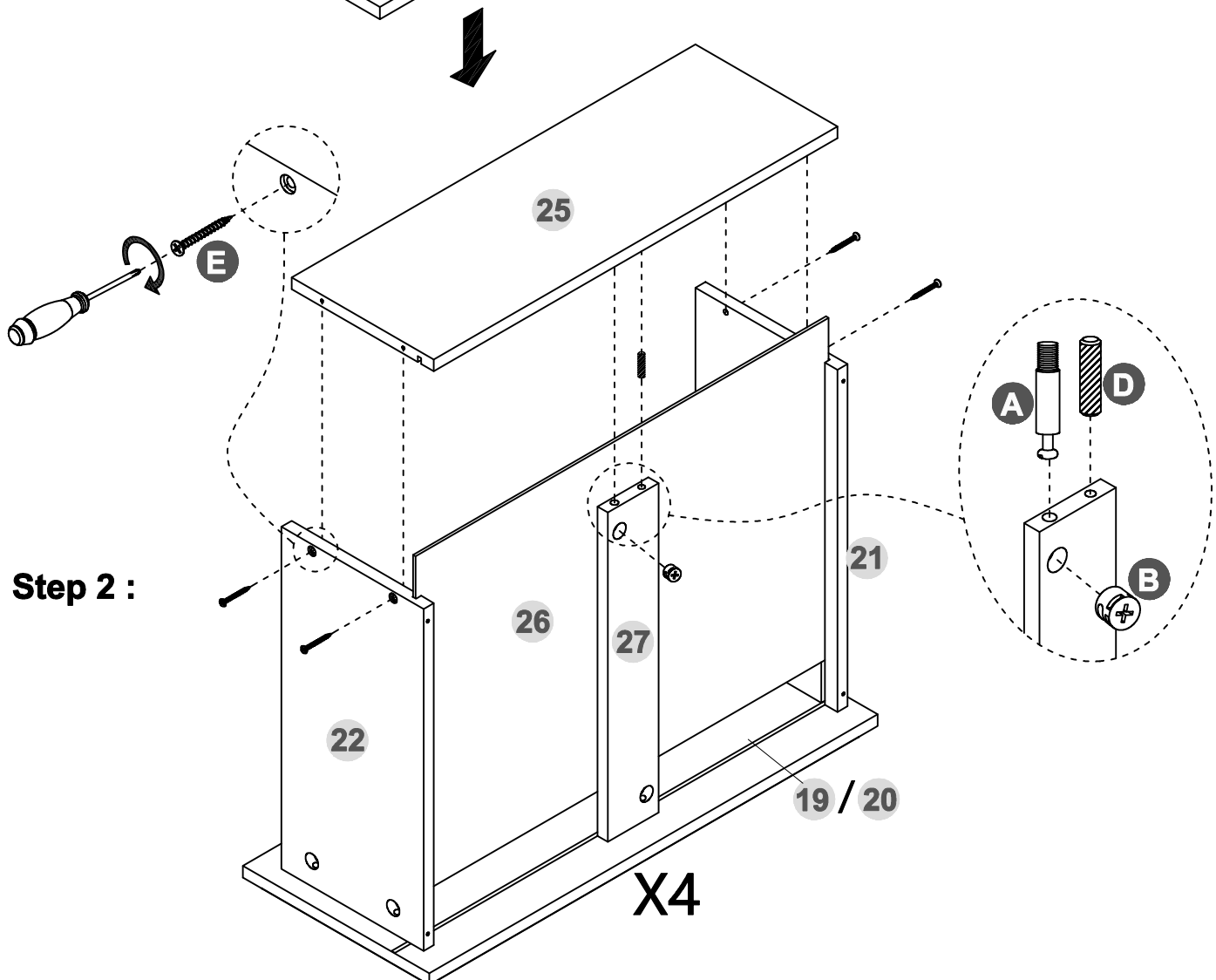


- Screw (A)&(D) to (25) as below shown
- Attach (25)&(26) to (21)&(22) as below shown
- Screw (E) to attach (21)&(22) to (25) as below shown
- Screw (B) to attach (27) to (25) as below shown

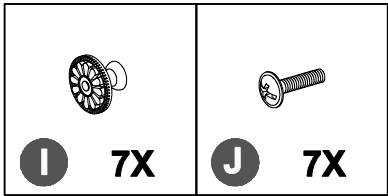
Step 1 :



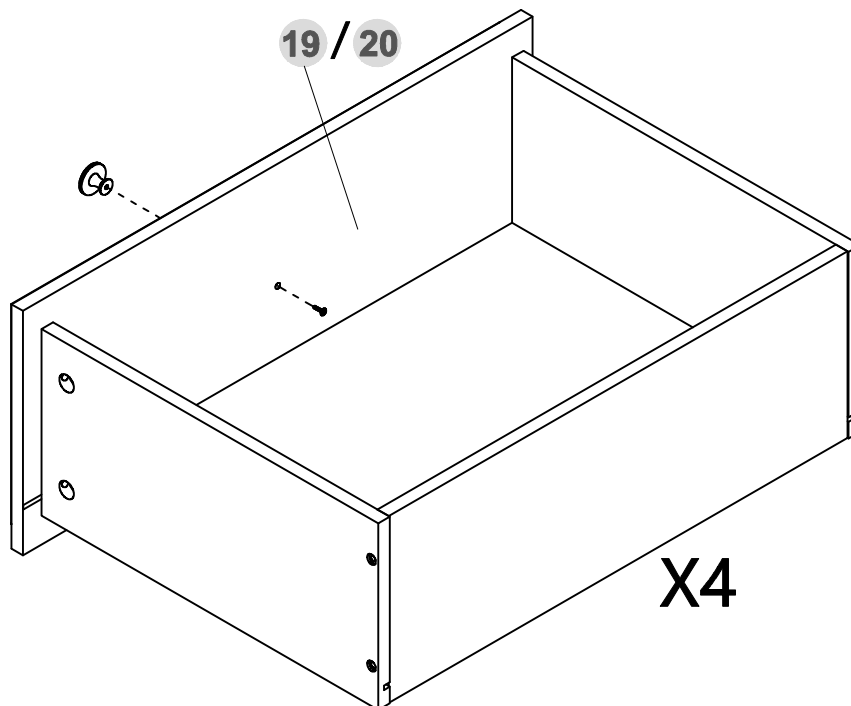
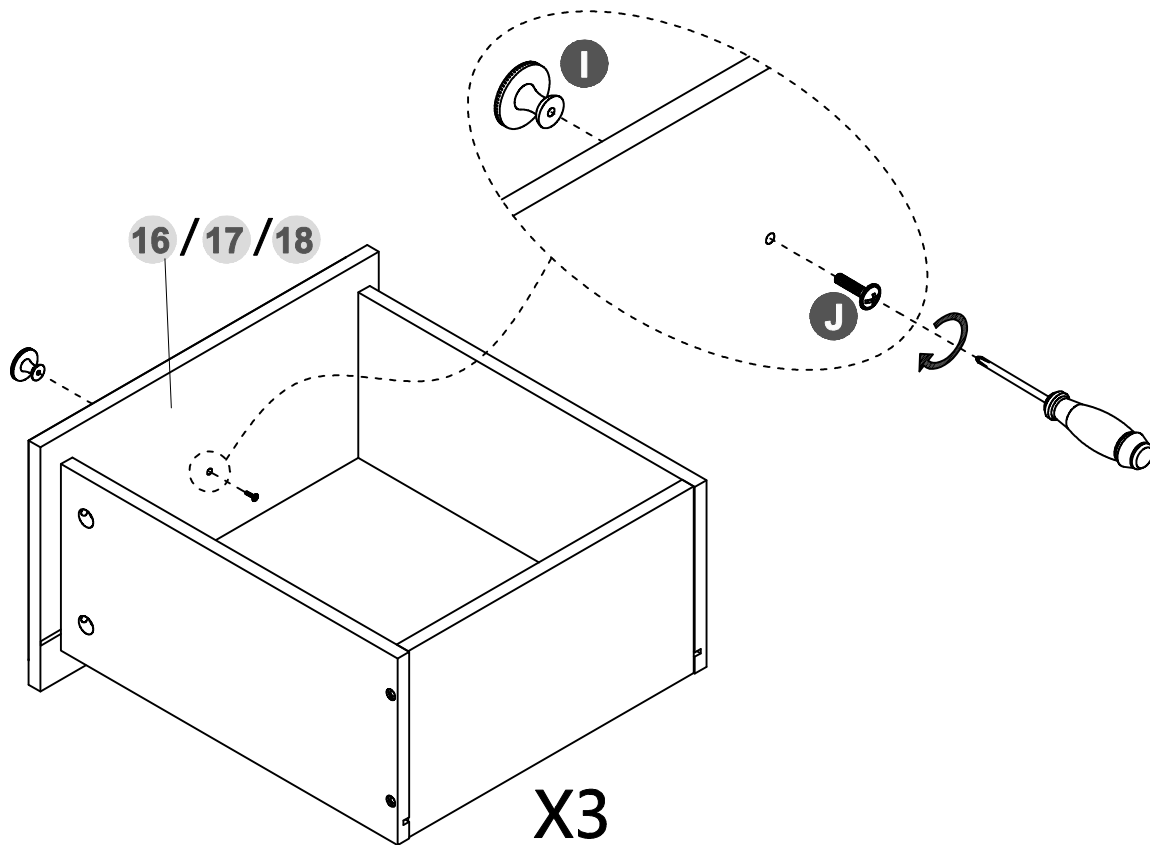
Step 2 :



STEP 21

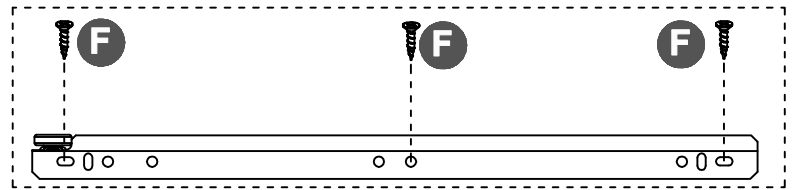
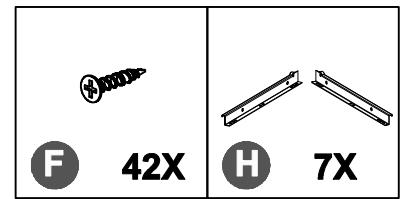


- Screw (J)&(I) to (16)&(17)&(18)&(19)&(20) as below shown

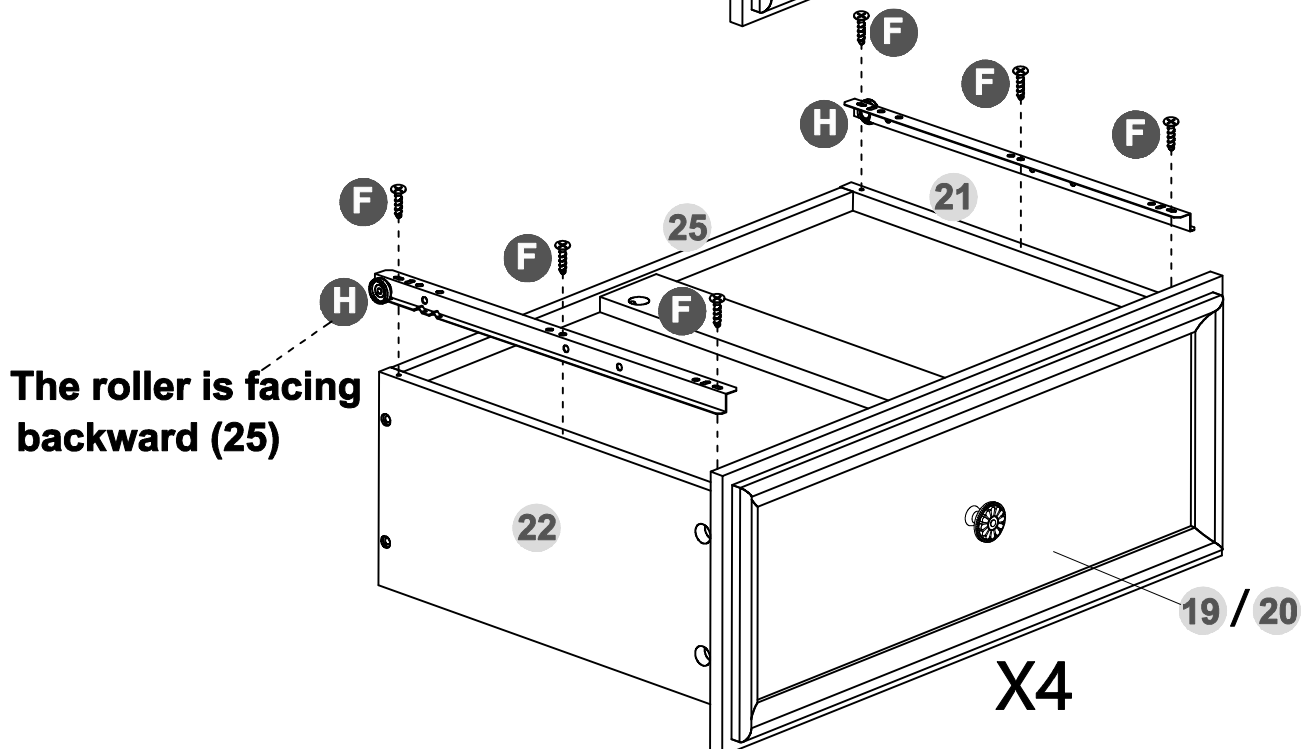
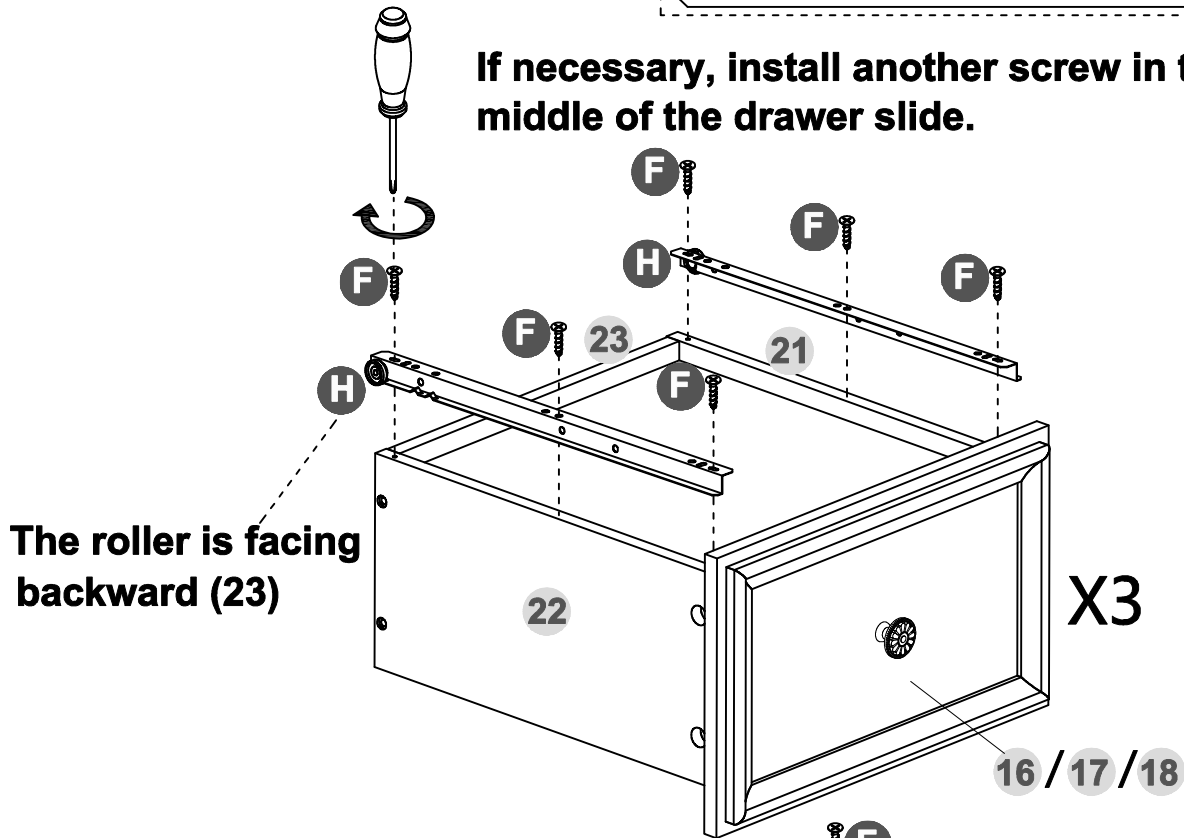


STEP 22

- Install the drawer slides (H) on the drawer side panels (21)&(22) as below shown

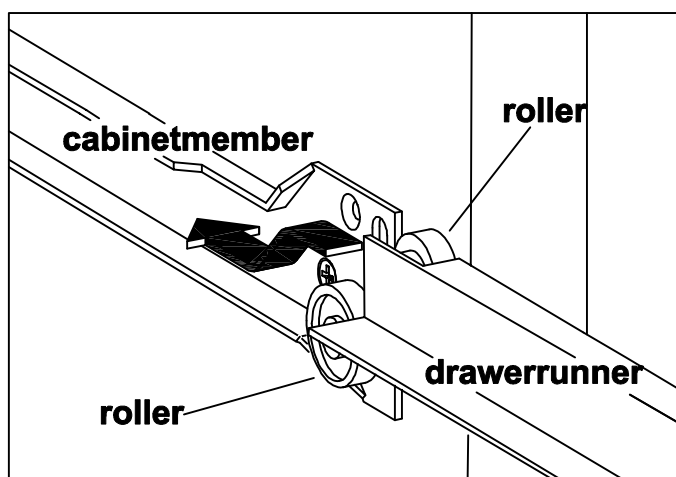
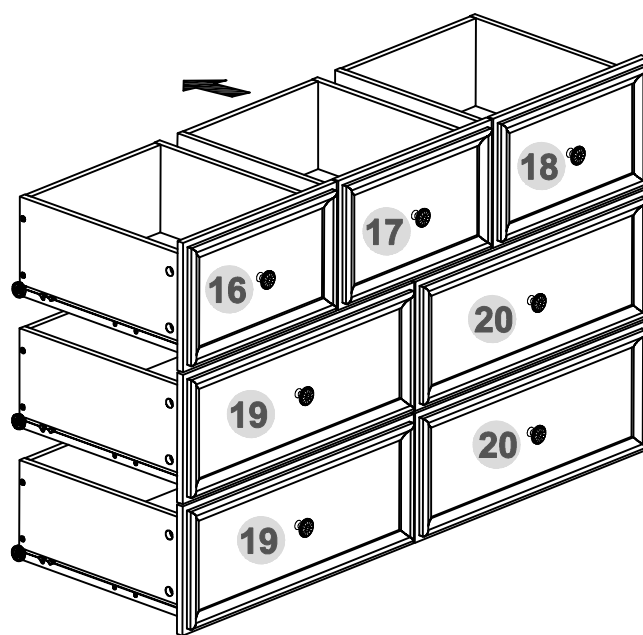
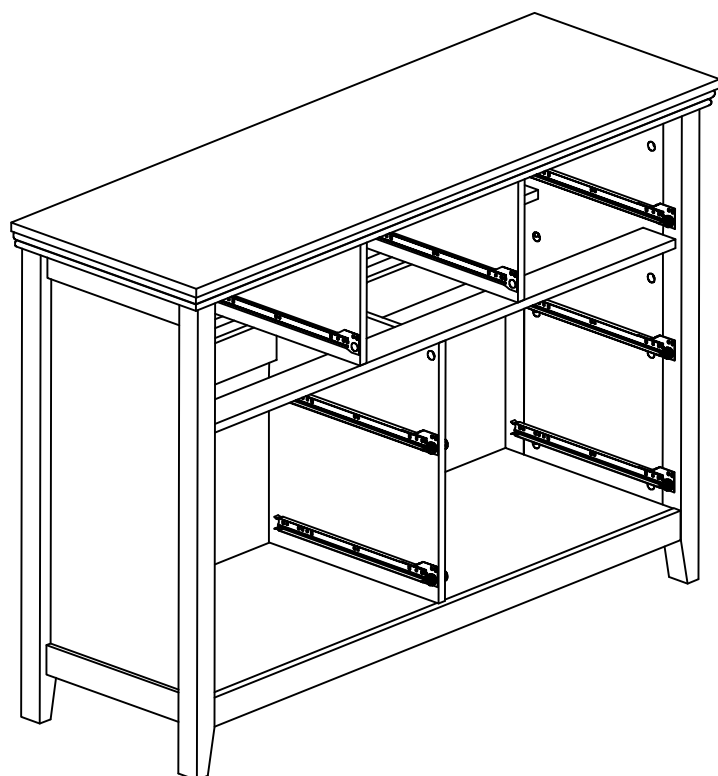


If necessary, install another screw in the middle of the drawer slide.

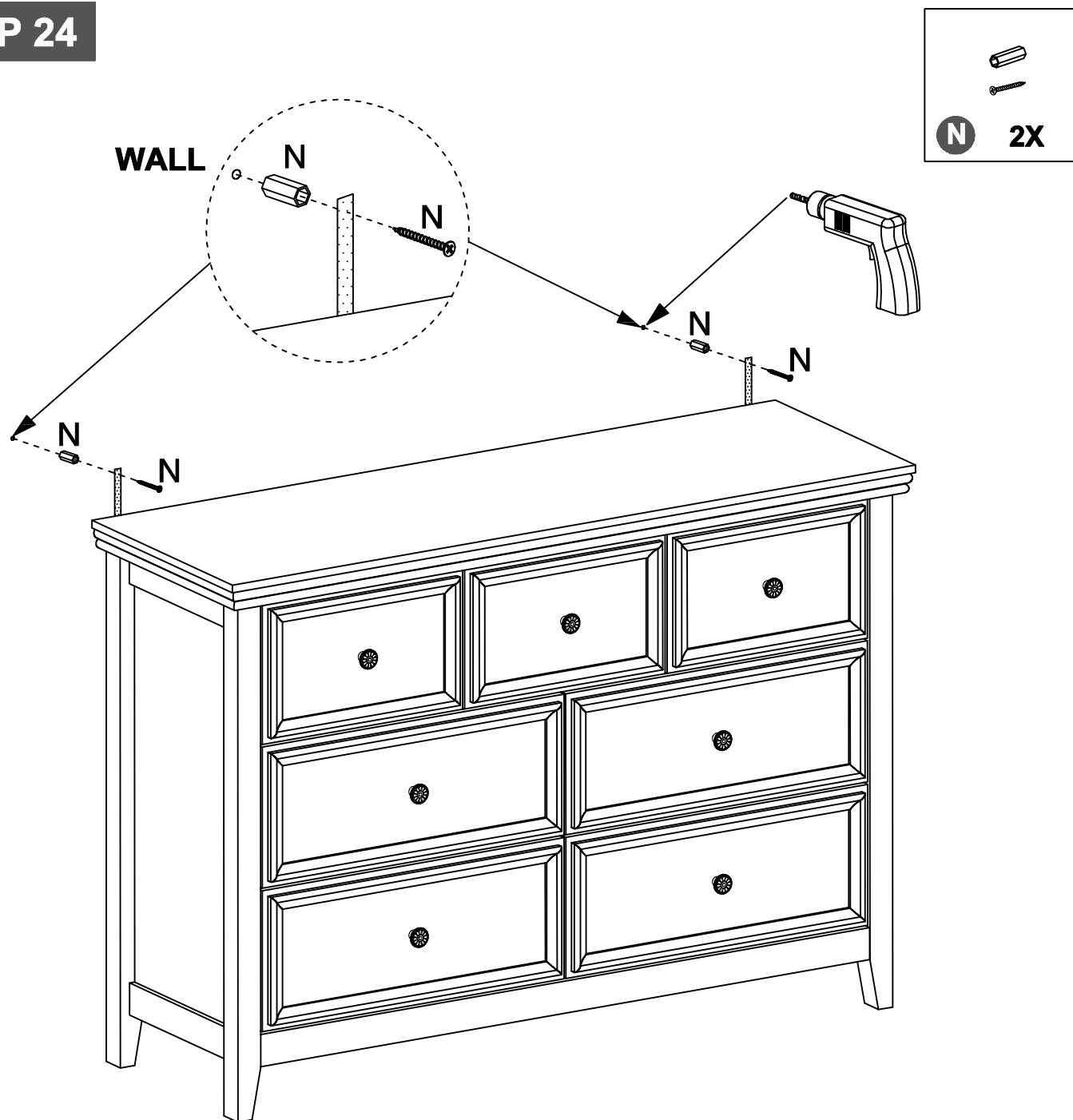


Repeat the previous step to install the remaining drawers

STEP 23



STEP 24



Tools required (not included): screwdriver, stud finder, tape measure, pencil, power drill and 3/16" drill bit.

Now, follow the guide printed on the plastic bag containing the tipping restraint hardware to attach the tip-over restraints to the unit and the wall.

NOTE: The tipping restraint hardware included is for wooden stud wall construction. it must be attached to a wall stud. depending upon your wall construction, different anchor hardware maybe required. please contact your local hardware store for assistance. young children can be seriously injured by tipping furniture. you must install the tipping restraint hardware with the unit to prevent the unit from tipping, causing any accidents or damage. the tipping restraints are intended only as a deterrent, they are not a substitute for proper adult supervision. the tipping restraints are not earthquake restraints. if you wish to add the extra security of earthquake restraints, they must be purchased and installed separately.

STEP 25

Finally, you got a 7-drawer dresser!

