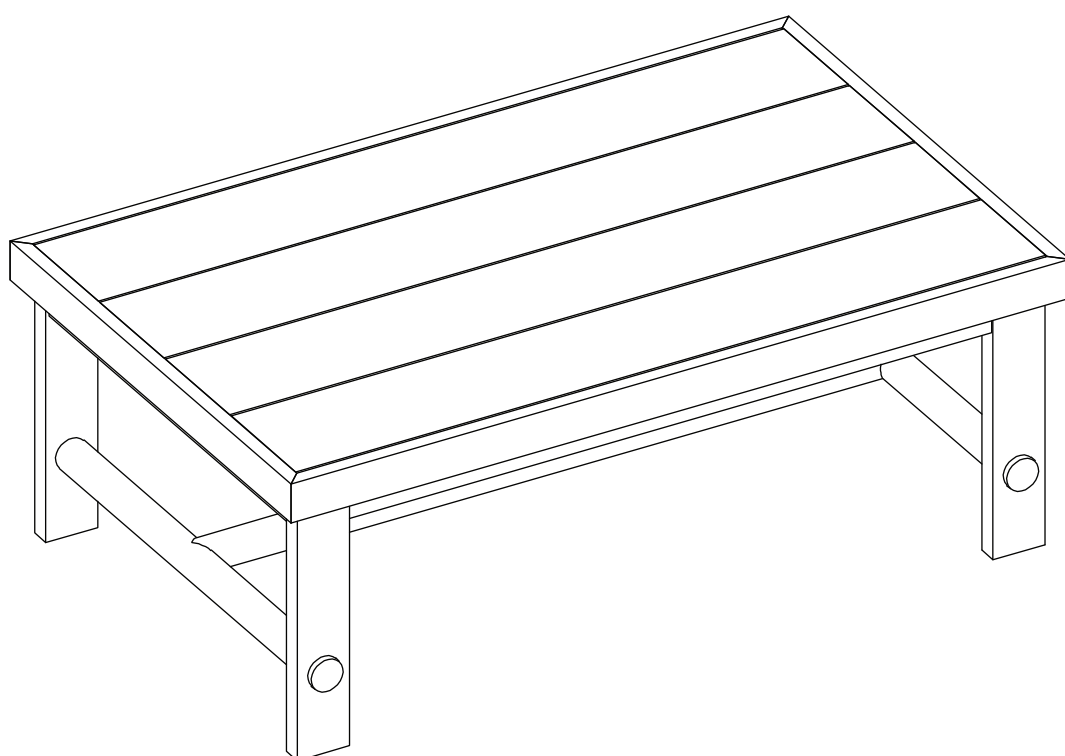


CRUISE EUCALYPTUS WOOD COFFEE TABLE

DESIGN # CPT1075

Assembly Instructions

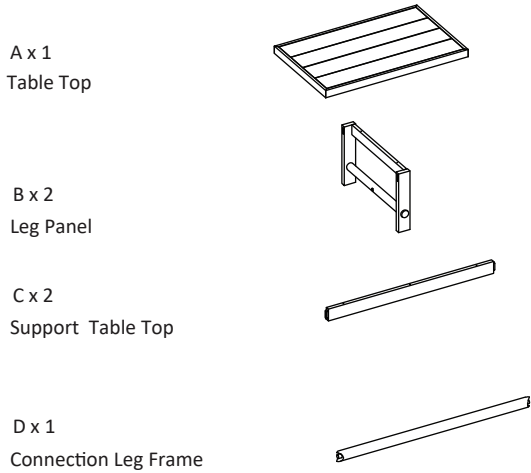


SAFAVIEH
C O U T U R E

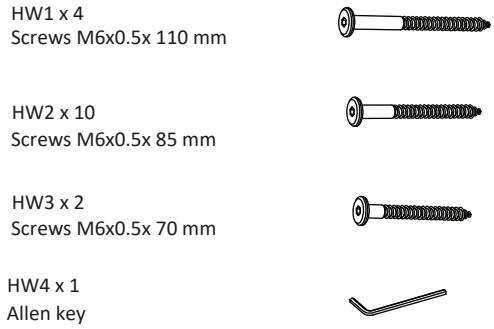
Thanks for bringing Safavieh Couture into Your home

Every thing we make is incredibly simple to set up, including your new coffee table. You won't need any additional tools.

Parts List

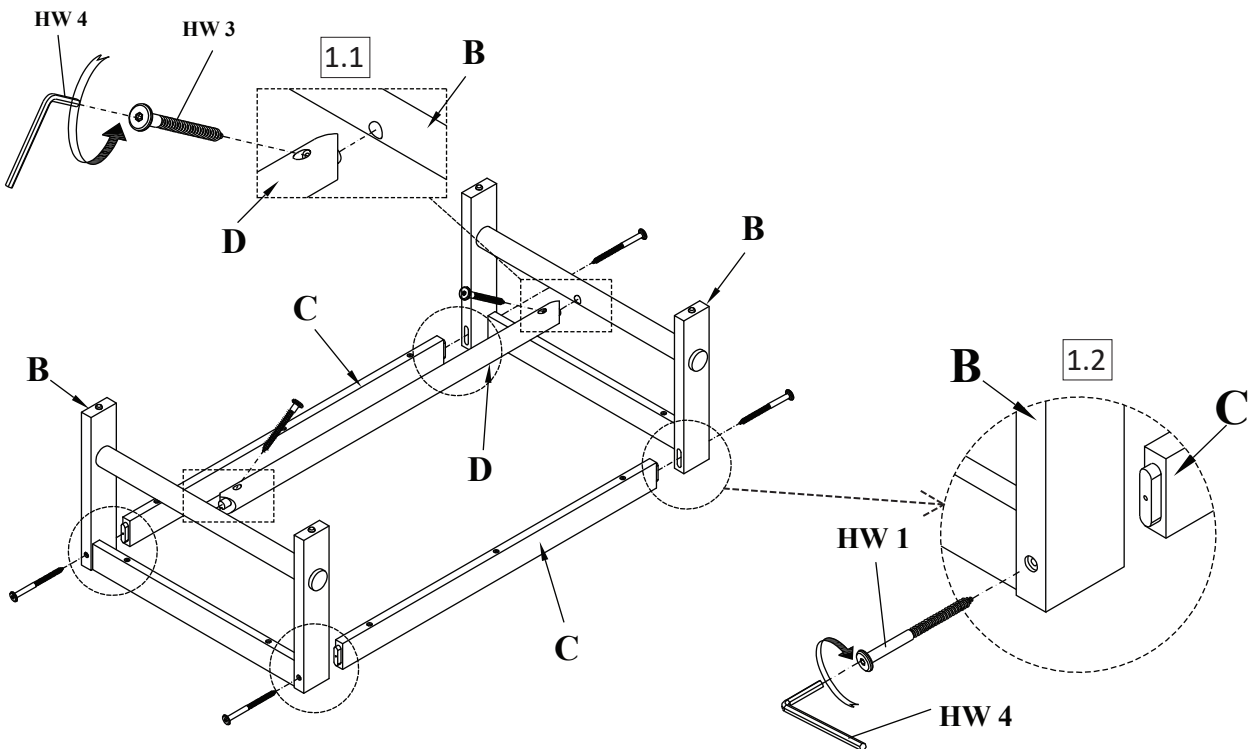


Hardware List



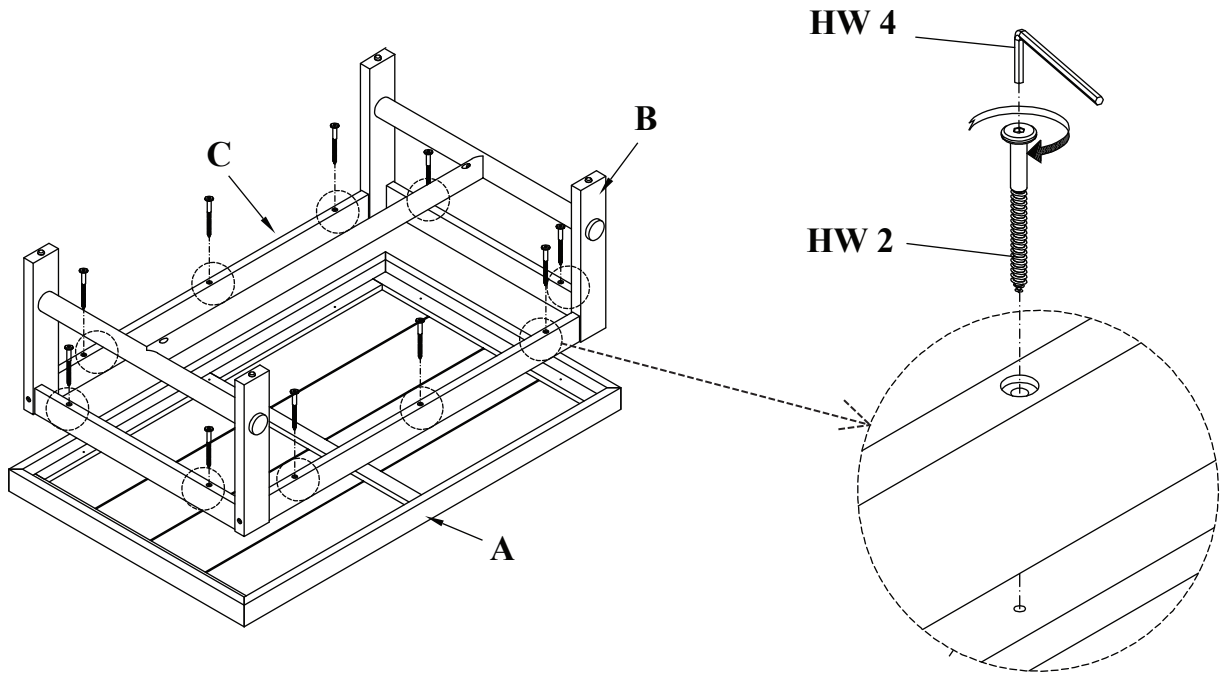
1

Place the Leg Panels (B) upside down on a soft and clean surface. Insert the pegs on the end of the Connection Leg Frame (D) into the holes in the center of the 2 Leg Panels (B). Attach them together by using the Allen Key (HW4) to screw in the Screws (HW3) as shown below. Then insert the pegs on the end of the Support Table Top (C) into the holes on the 2 Leg Panels (B). Attach them together by using the Allen Key (HW4) to screw in the Screws (HW3) as shown below.



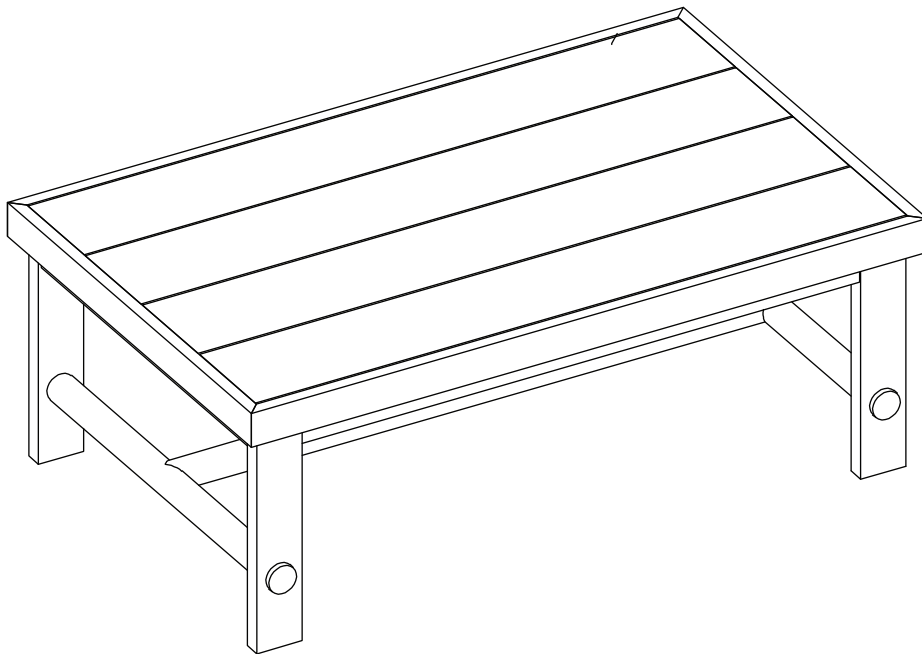
2

Place the Table Top (A) upside down on a soft and clean surface. Align the screw holes on the Table Top (A) to the screw holes on the top of the assembled base. Use the Allen Key (HW4) to screw in the Screws (HW2) in the 10 spots shown below.



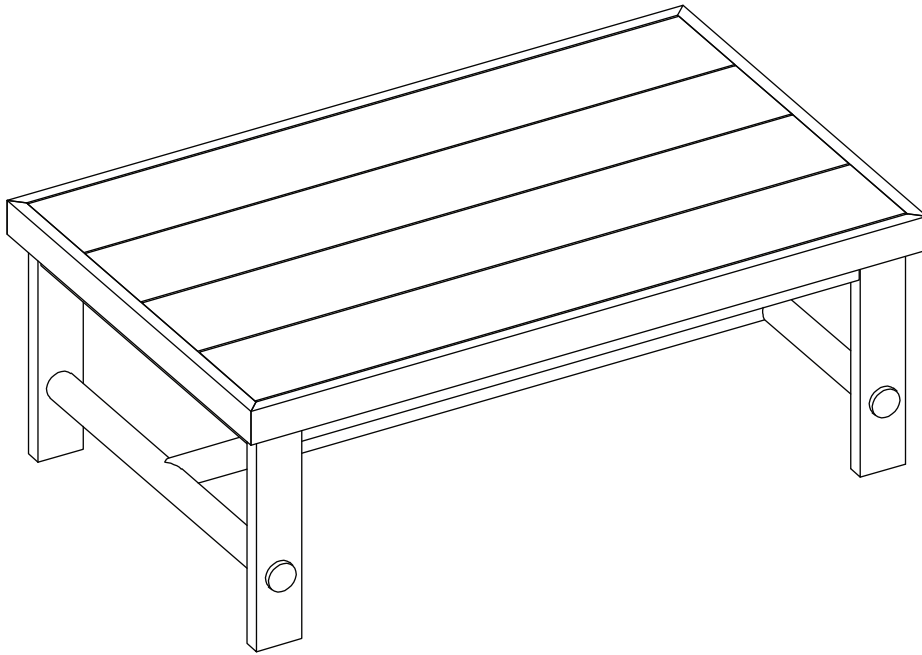
3

Turn the table upright. Check that the table sits evenly and doesn't wobble. Make sure all screws are fully tightened.



Place the coffee table in the place where you will use it. We'd love to see it – just tag us (we're @safavieh) and use the hashtag #safavieh on Instagram!

@safavieh



Need help?

Feel free to contact us via email or call
If you have any specific question!

Contact us:

CS@safavieh.com
866-422-9070