

Contemporary 3-Light Wood Grain Track Head Ceiling Light

Caution: Please turn off power before installation and read the manual carefully, we advise you contact professional electricians to install for safety purpose.

Product Features

Style: Modern/Contemporary

Material: Metal

Base Type: GU10

Light Source Included: No

Voltage: 120VAC

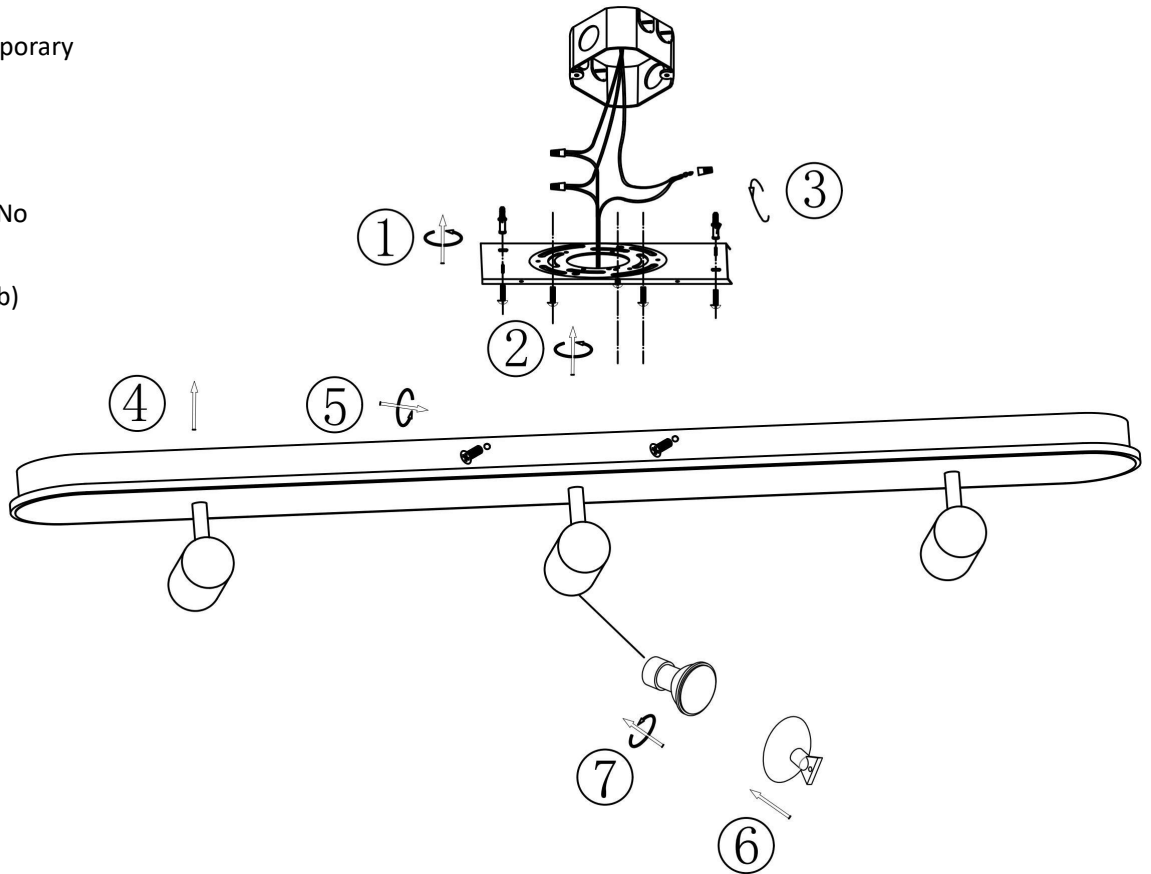
Wattage: 25W (per bulb)

Package includes

1 x Ceiling Light

1 x Accessories Kit

1 x User's Manual



Installation Instructions

1. Determine the positions for the mounting plate's reinforced holes On the wall (or ceiling). Drill the holes and insert the wall plugs.
2. Secure the mounting plate to the ceiling using screws.
3. Connect the light fixture's live wire, neutral wire, and ground wire to the corresponding wires from the junction box.
4. Hold the light fixture upright and align it with the holes on the mounting plate.
5. Secure the fixture to the mounting plate using the screws.
6. Attach the suction cup to the GU10 bulb.
7. Install the GU10 bulb into the lamp socket. Adjust the track heads to the desired angle.

Note: please use this product accordingly to its intended purpose, do not retrofit or remodeling the product. The warranty does not cover if the failure is caused by the third party product, or natural disasters.

Made in China