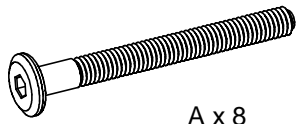


ASSEMBLY INSTRUCTIONS

HARDWARES



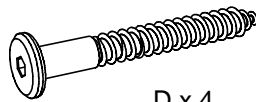
A x 8
M8 x 60



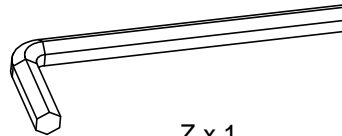
B x 8
M8



C x 8
M8

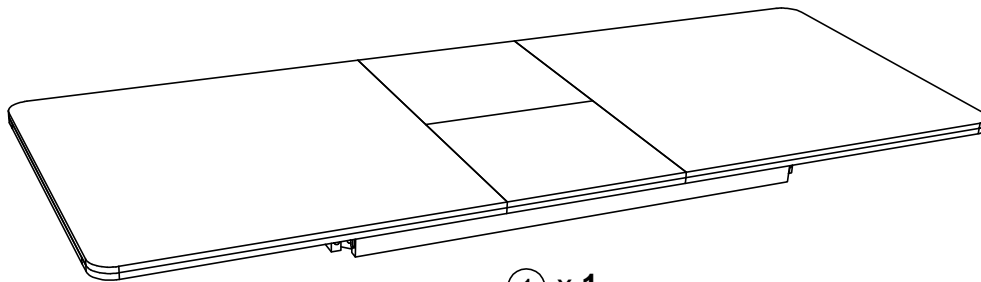


D x 4
M6 x 50



Z x 1
M4 x 30 x 107

PARTS



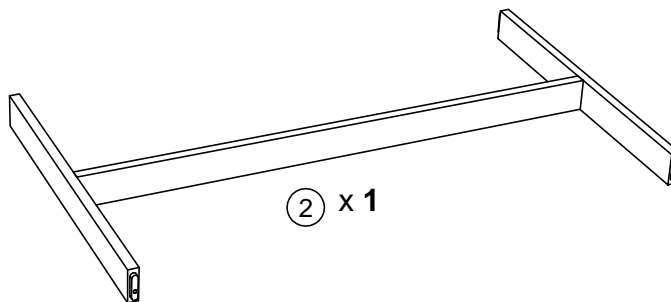
① x 1



③ x 2

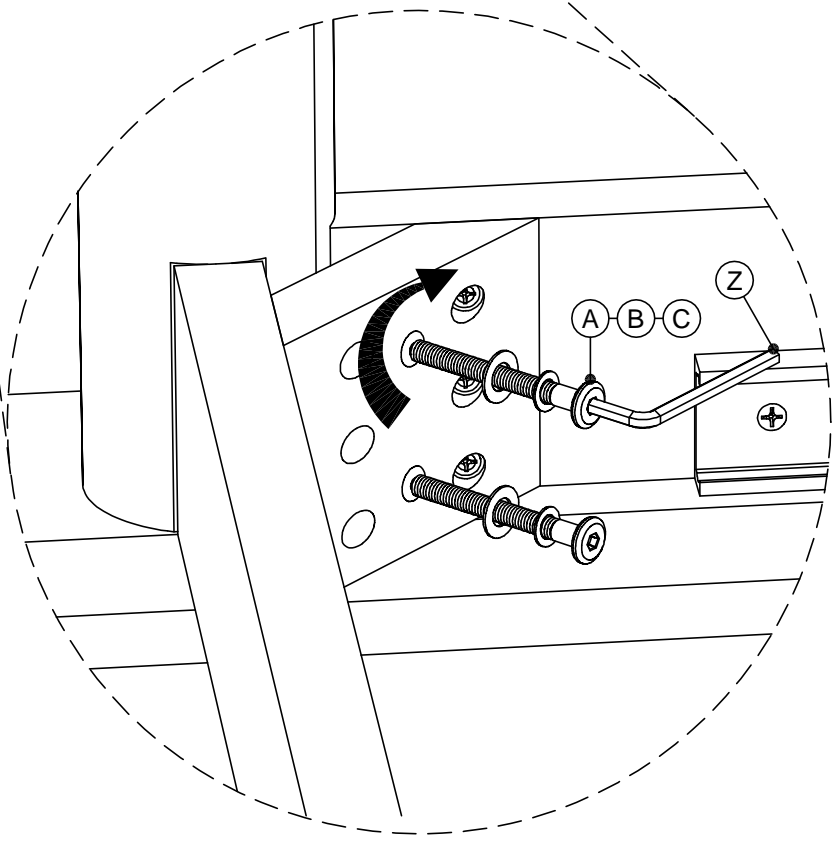
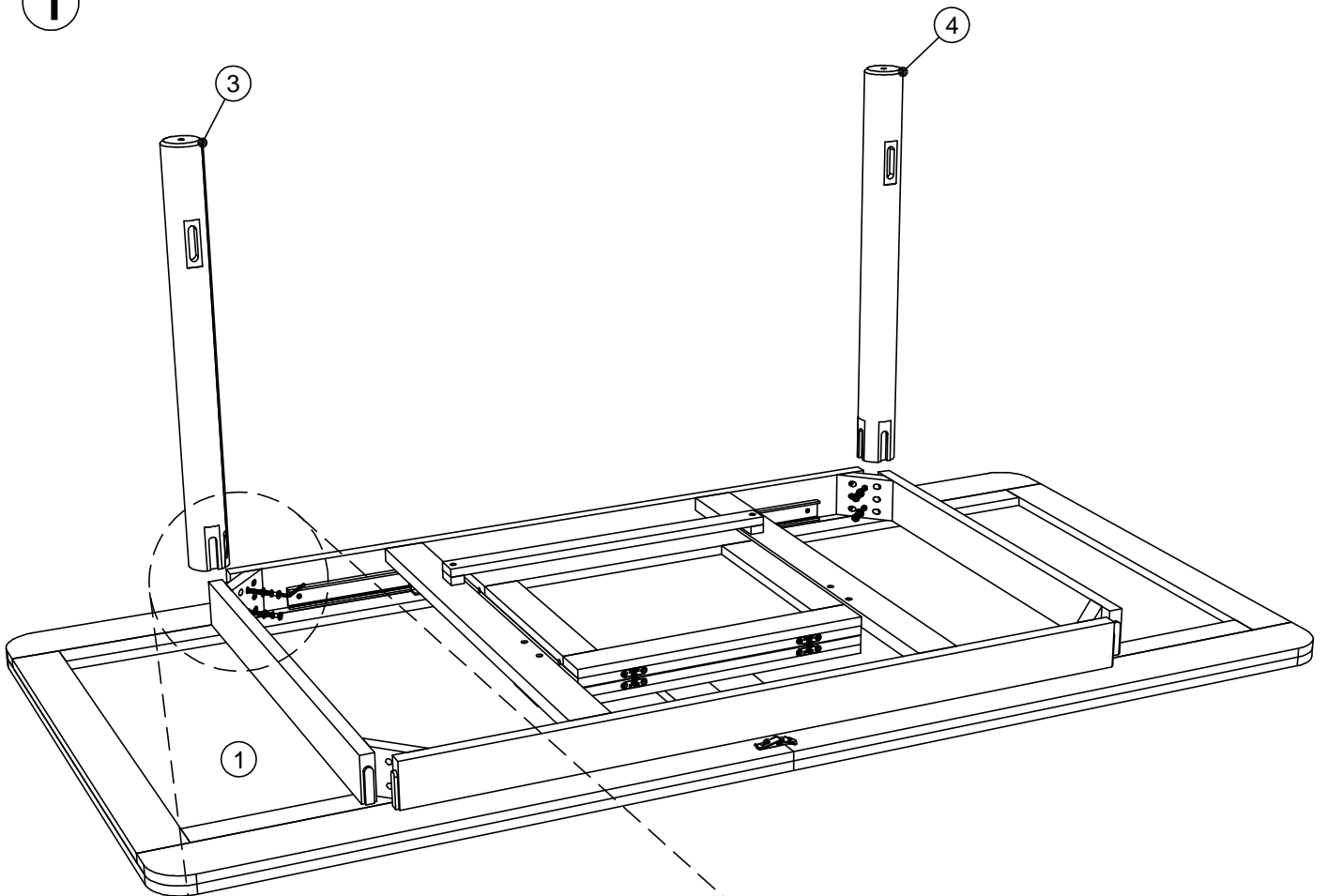


④ x 2



② x 1

1



2



3

