

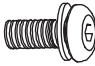



01 Coffee Table

01CT

1. Please check the box part list. If there are any missing/damaged parts, please mark × and write the missing quantity.
2. Then contact the after-sales team. Please attach a picture of this list and clearly indicate the missing/damaged part number + quantity.

NO.	PART.	QTY.	√/×	QTY.
A		1		
B		4		

NO.	PART.	QTY.	√/×	QTY.
D	 M6x20 mm	16		
E		1		