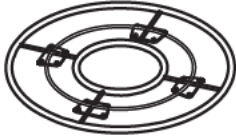


**ASSEMBLY INSTRUCTIONS**  
COFFEE TABLE STEEL FRAME

# PARTS

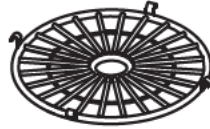
Check that you've received all parts listed below.

①



(1 pc)

②



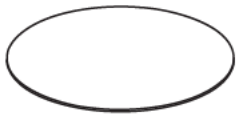
(1 pc)

③

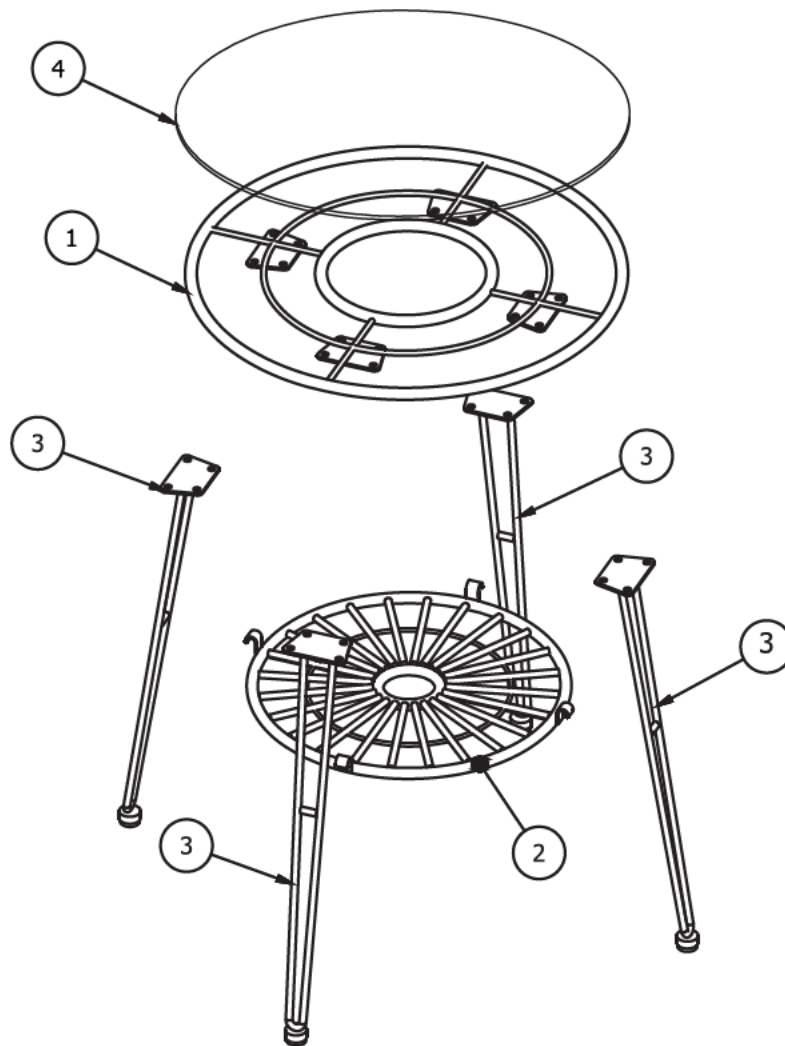


(4 pcs)

④



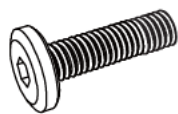
(1 pc)



# HARDWARE

Check that you've received  
all hardware listed below.

Ⓐ M6x15 mm



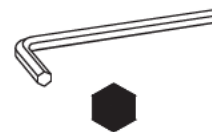
(16 pcs)

Ⓑ Ø16x1 mm






(16 pcs)

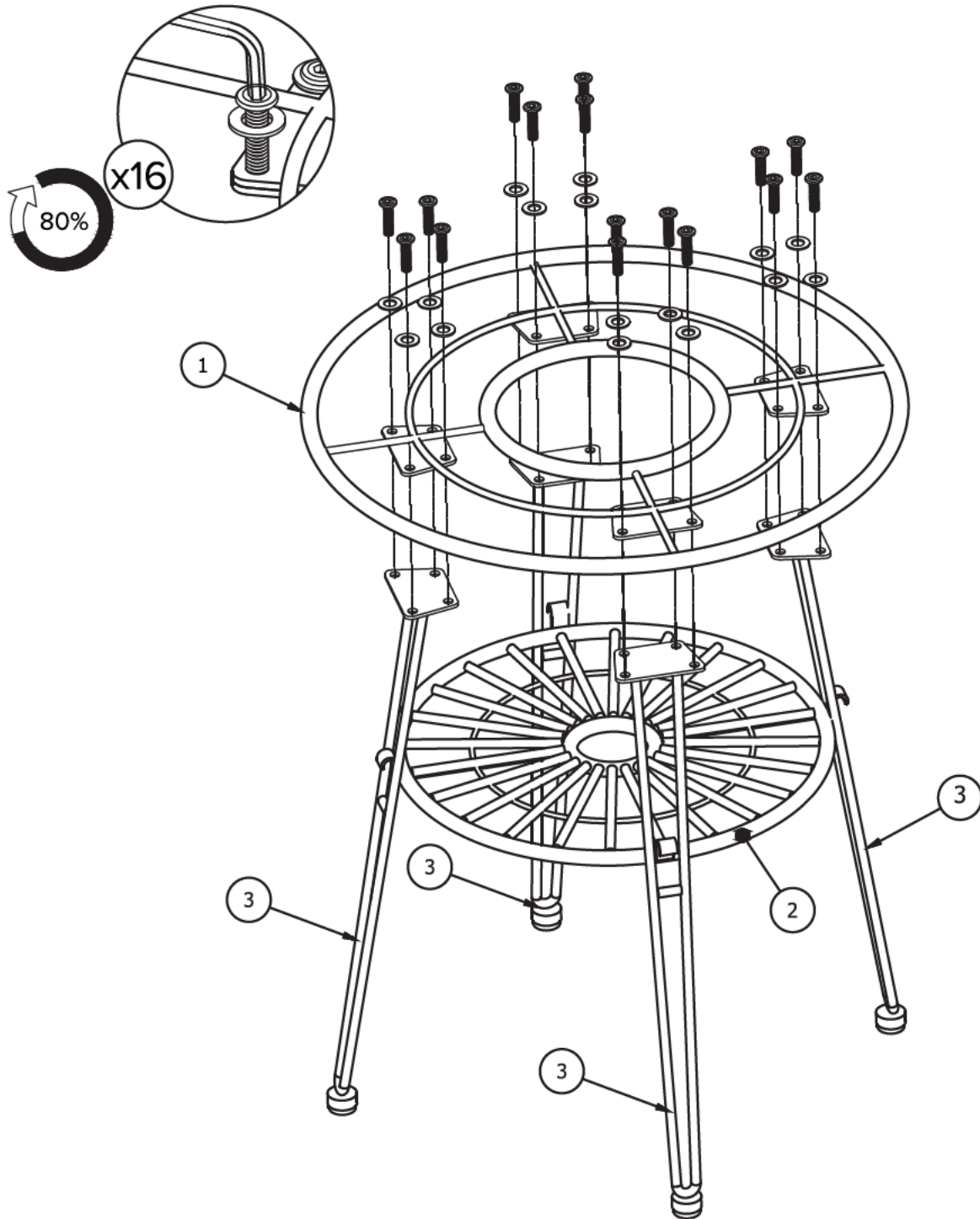
Ⓒ 4 mm



(1 pc)

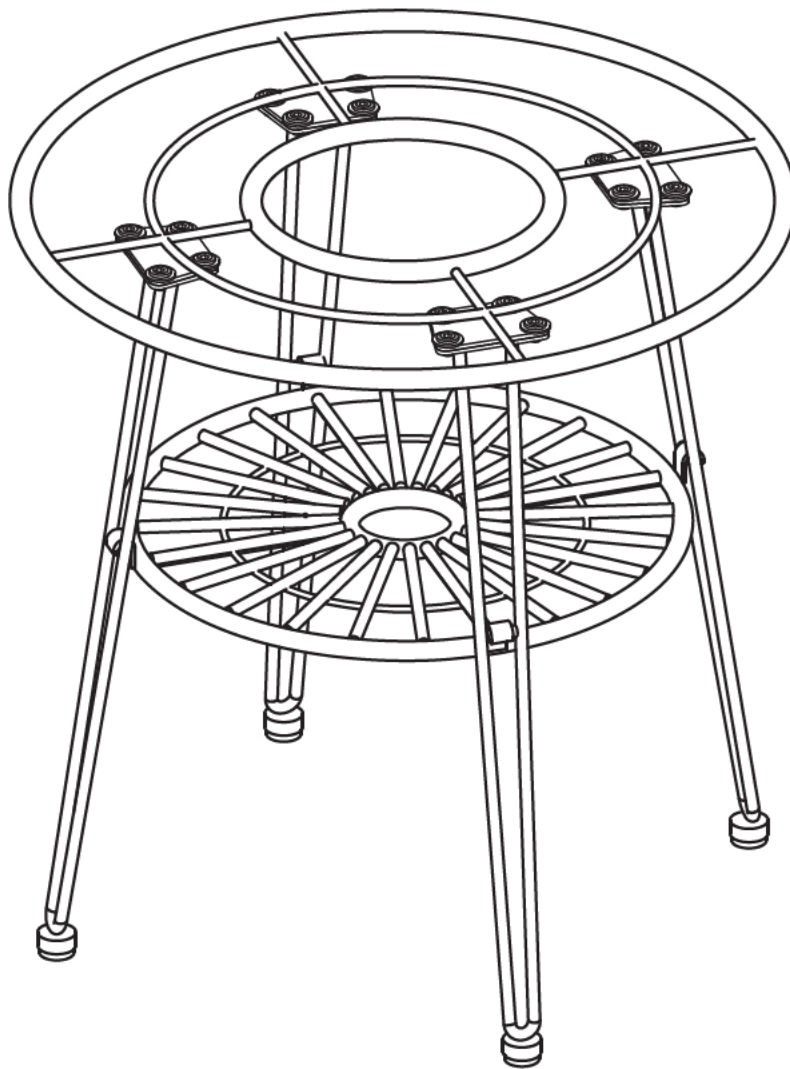
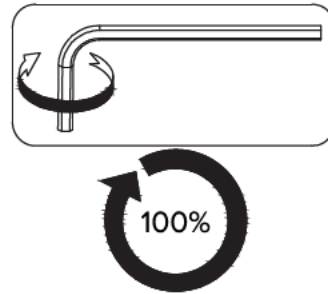
# STEP 1

|   |   |  |  |
|---|---|--|--|
| A x 16<br><br>M6x15 mm | B x 16<br><br>Ø16X1 mm | C x 1<br><br>4 mm |  |
|---|---|--|--|

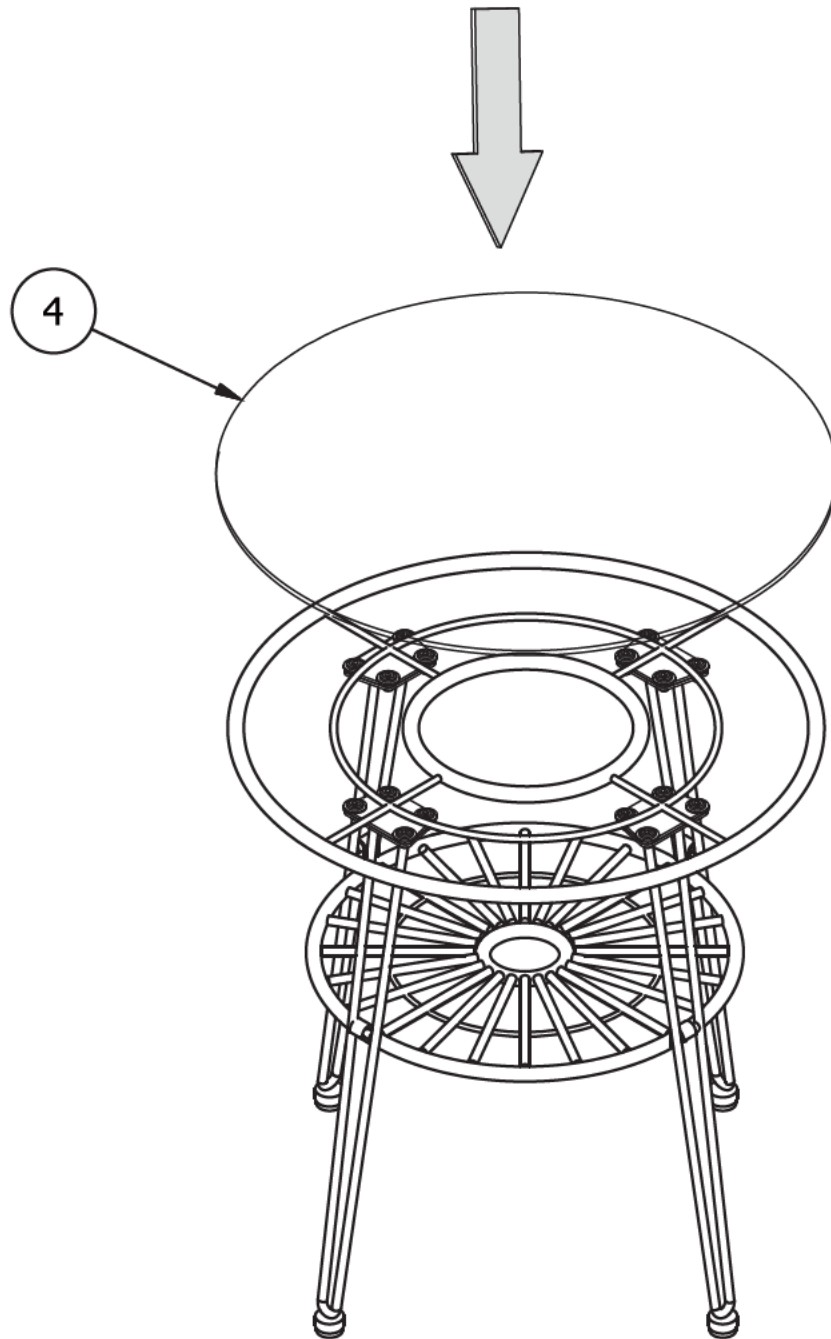


# STEP 2

|  |  |
|--|--|
| <p>C x 1</p>  <p>4 mm</p> |  |
|--|--|



# STEP 3





## CARE INSTRUCTIONS

Outdoor furniture naturally weathers and shows color variation over time. We recommend the following care for the best results:

- Wipe with a soft cloth.
- Wash with mild soap and water as needed; do not use abrasive cleaners.
- Cover furniture with an outdoor cover (not included) when not in use.
- Store in a dry, covered area during inclement weather or winter season.



After assembly is completed, save these instructions and any included tools for future maintenance or re-assembly.