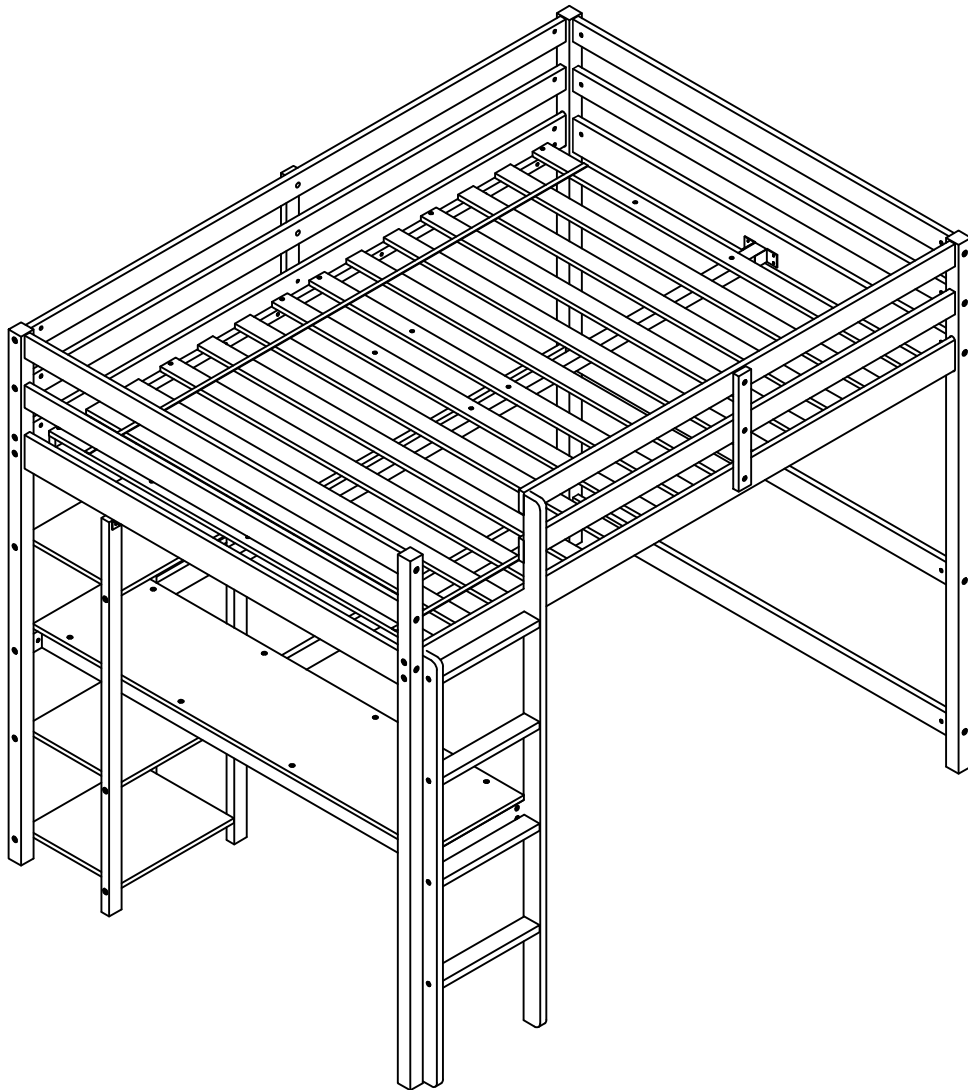


ASSEMBLY INSTRUCTIONS

LOFT BED FULL W/DESK, SHELVES



DN11730



SAFETY WARNING



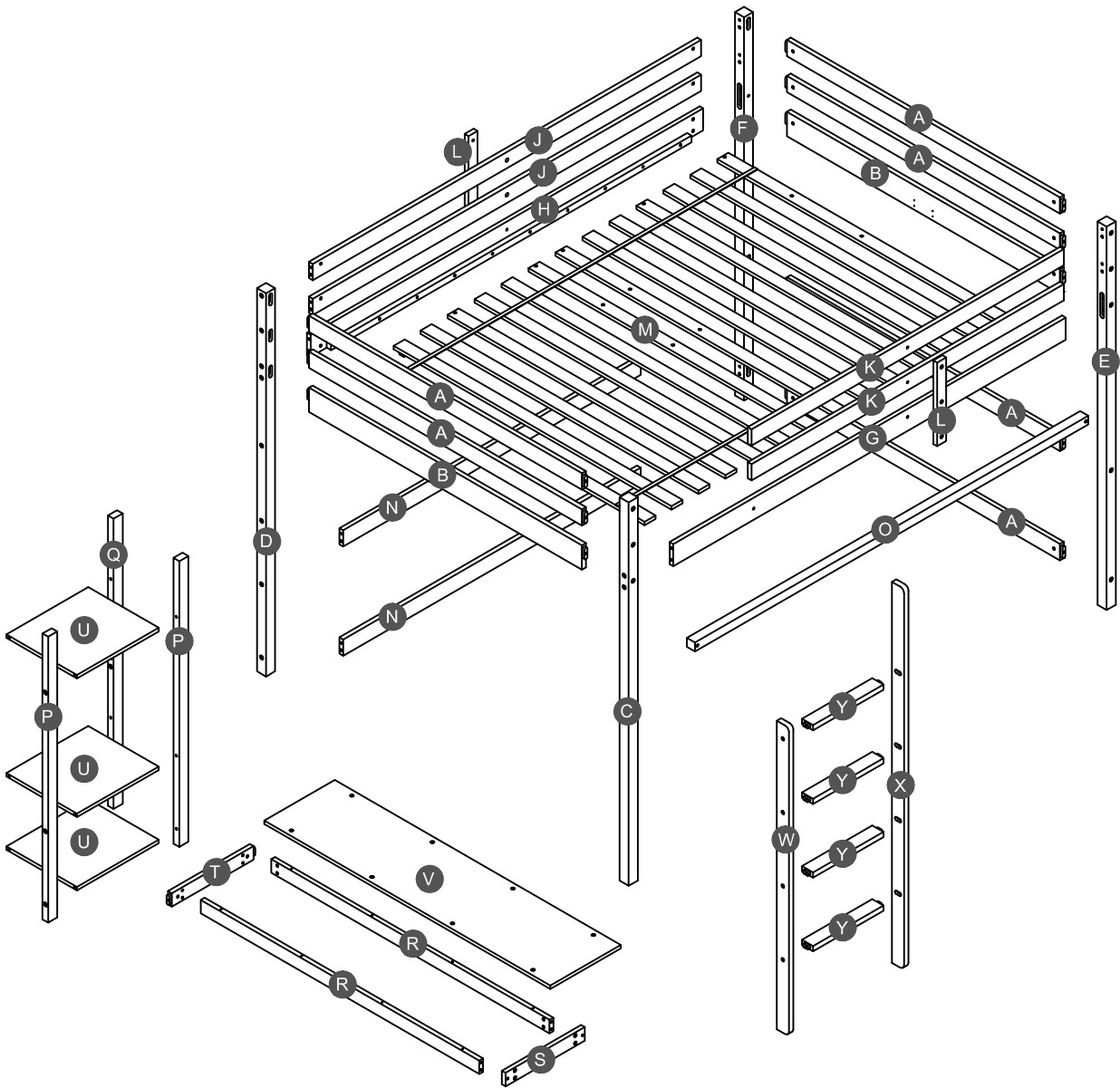
1. This bed is designed for use only mattress (es) meeting the following specifications on the upper bunk, and lower bunk:

Up bed (Bunk bed and tribed included)

Bed type	Length	Width	Thickness
Full Standard	74"-75"	54"	6" max

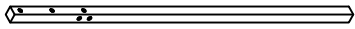
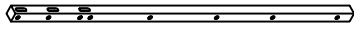

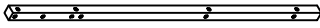
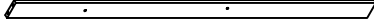
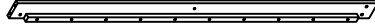


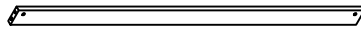
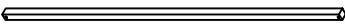
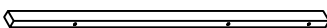

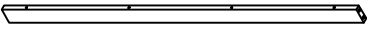
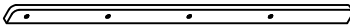
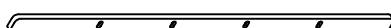
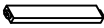
2. Replacement parts, including additional guardrails, maybe obtained from any of our FREIGHTMAN EC CO.,LTD.
3. Follow the information on the warnings appearing on the upper bunk bed end structure and on the carton. Do not remove warning label from bed.
4. Always use the recommended size mattresses or mattress supports, or both, to help prevent the likelihood of entrapment or falls.
5. Surface of mattress must be at least 5" (127mm) below the upper edge of guardrails.
6. Do not allow children under 6 years of age to use the upper bunk.
7. Periodically check and ensure that the guardrail, ladder, and other components are in their proper position, free from damage, and that all connectors are tight.
8. Do not allow horseplay on or under the bed and prohibit jumping on the bed.
9. Always use the ladder for entering and leaving the upper bunk.
10. Do not use substitute part. Contact the manufacture or dealer for replacement part.
11. Use of a night light may provide added safety precaution for a child using the upper bunk.
12. Always use guardrails on both long sides of the upper bunk. If the bunk bed will be placed next to the wall, the guardrail that runs the full length of the bed should be placed against the wall to prevent entrapment between the bed and wall.
13. The use of water or sleep flotation mattresses is prohibited.
14. STRANGULATION HAZARD - Never attach or hang items to any part of the bunk bed that are not designed for use with the bed; for example, but not limited to, hook, belts and jump ropes.
15. Keep these instruction for future reference.

Detail View

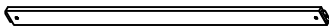

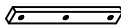
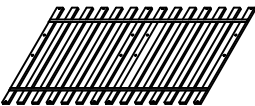
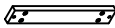
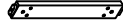
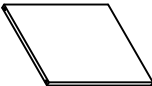
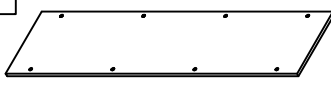


Part List

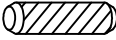

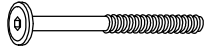






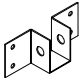


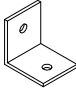
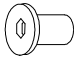
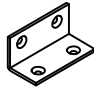
Hardware List DN11730 (1-2)

<p>C</p>  <p>Leg HB (Left) - 1pc</p>	<p>D</p>  <p>Leg HB (Right) - 1pc</p>	<p>E</p>  <p>Leg FB (Left) - 1pc</p>
<p>F</p>  <p>Leg FB (Right) - 1pc</p>	<p>G</p>  <p>Side rail (front) - 1pc</p>	<p>H</p>  <p>Side rail (back) - 1pc</p>
<p>J</p>  <p>Long guard rail (back) - 2pcs</p>	<p>K</p>  <p>Short guard rail (front) - 2pcs</p>	<p>N</p>  <p>Lower horizontal bar (Back) - 2pcs</p>
<p>O</p>  <p>Lower support slat - 1pc</p>	<p>P</p>  <p>Short Leg HB - 2pcs</p>	<p>Q</p>  <p>Short Leg HB (Back) - 1pc</p>
<p>R</p>  <p>Horizontal bar - 2pcs</p>	<p>W</p>  <p>Left side ladder - 1pc</p>	<p>X</p>  <p>Right side ladder - 1pc</p>
<p>Y</p>  <p>Step ladder - 4pcs</p>		

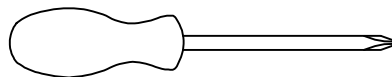
DN11730 (2-2)

<p>A</p>  <p>Horizontal bar HB-FB - 6pcs</p>	<p>B</p>  <p>Horizontal bar HB-FB - 2pcs</p>	<p>L</p>  <p>Vertical guard rail - 2pcs</p>
<p>M</p>  <p>Slat - 1set = 14 pcs</p>	<p>S</p>  <p>Horizontal bar (Front) - 1pc</p>	<p>T</p>  <p>Horizontal bar (Back) - 1pc</p>
<p>U</p>  <p>Shelf panel - 3pcs</p>	<p>V</p>  <p>Top panel - 1pc</p>	

Hardware List DN11730 (1-2)

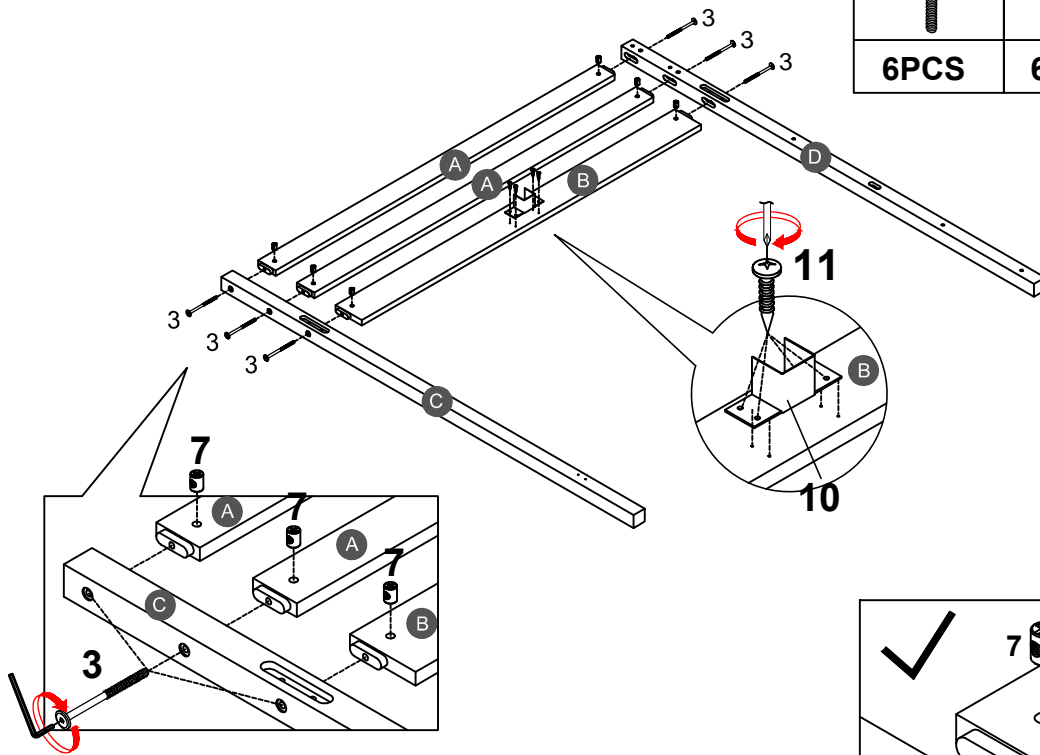
1	 Ø10*40mm Wood dowel (10pcs)	2	 (Ø15)1/4"*100mm Hex-Head bolts (14pcs)	3	 (Ø15)1/4"*80mm Hex-Head bolts (34pcs)
4	 (Ø12)1/4"*60mm Hex-Head bolts (16pcs)	5	 (Ø12)1/4"*40mm Hex-Head bolts (8pcs)	6	 (Ø12)1/4"*30mm Hex-Head bolts (6pcs)
7	 1/4"*15 (9.5mm) Horizontal-Hole bolts (64pcs)	8	 (Ø12)1/4"*40mm Hex-Head bolts (8pcs)	9	 (1/4")4.5*58mm Allen key (2pcs)
10	 116*40*27mm Metal bracket (2pcs)	11	 Ø3.5*15mm Wood screws (16pcs)	12	 Ø4*30mm Wood screws (16pcs)
13	 24*28*28*2mm Metal bracket (2pcs)	14	 (Ø13)1/4"*14mm Connect bolt (2pcs)	15	 50*24*24*2mm Metal bracket (1pc)

ASSEMBLY TOOLS REQUIRED (NOT INCLUDED)



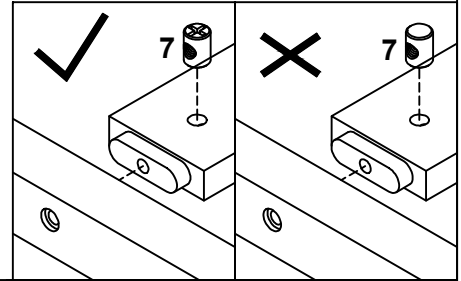
PLEASE BE CAREFUL DO NOT DAMAGE THE HOLE POSITION WHEN YOU USE POWER TOOLS !

STEP 1:

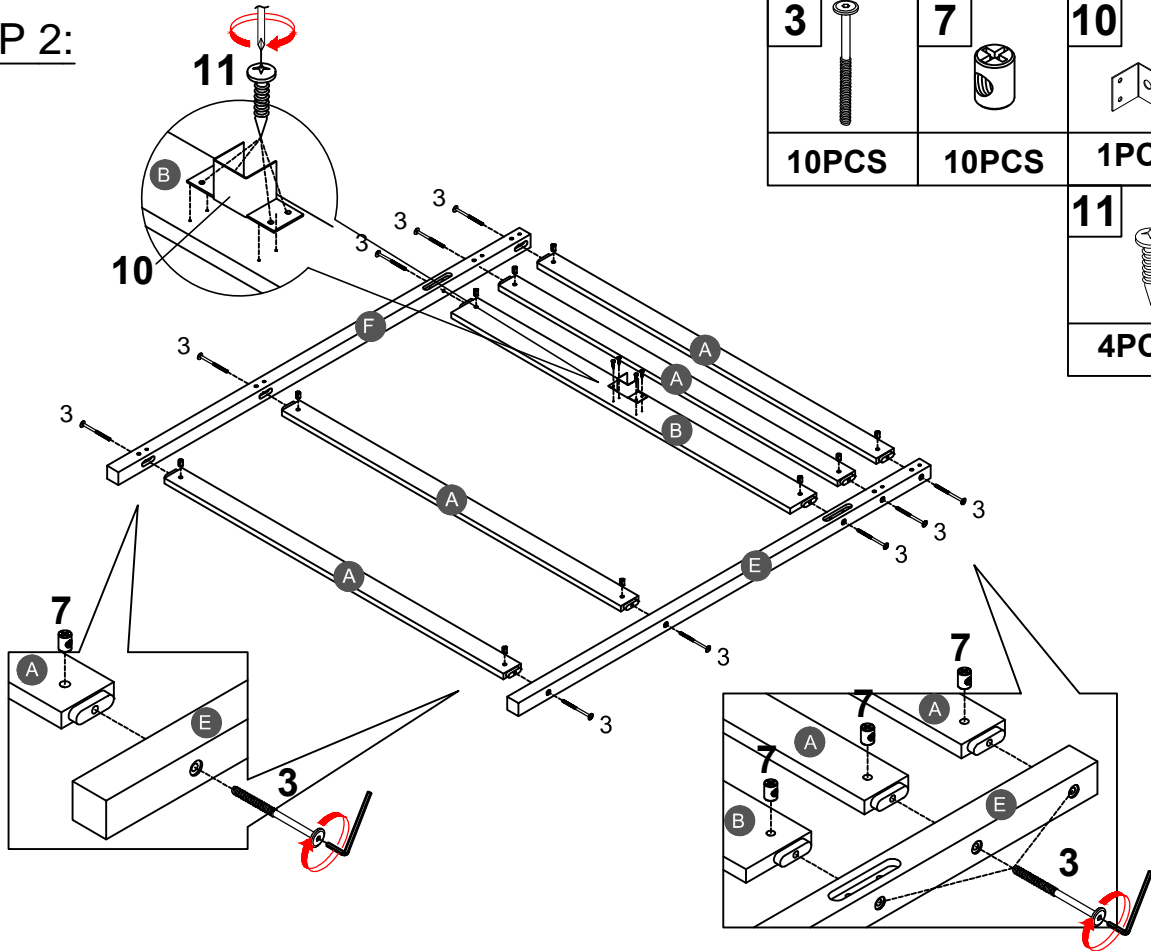


3 	7 	10
6PCS	6PCS	1PC
		11
		4PCS

Note: Part 7 will face up with the "x" mark on it, otherwise it cannot be tightened

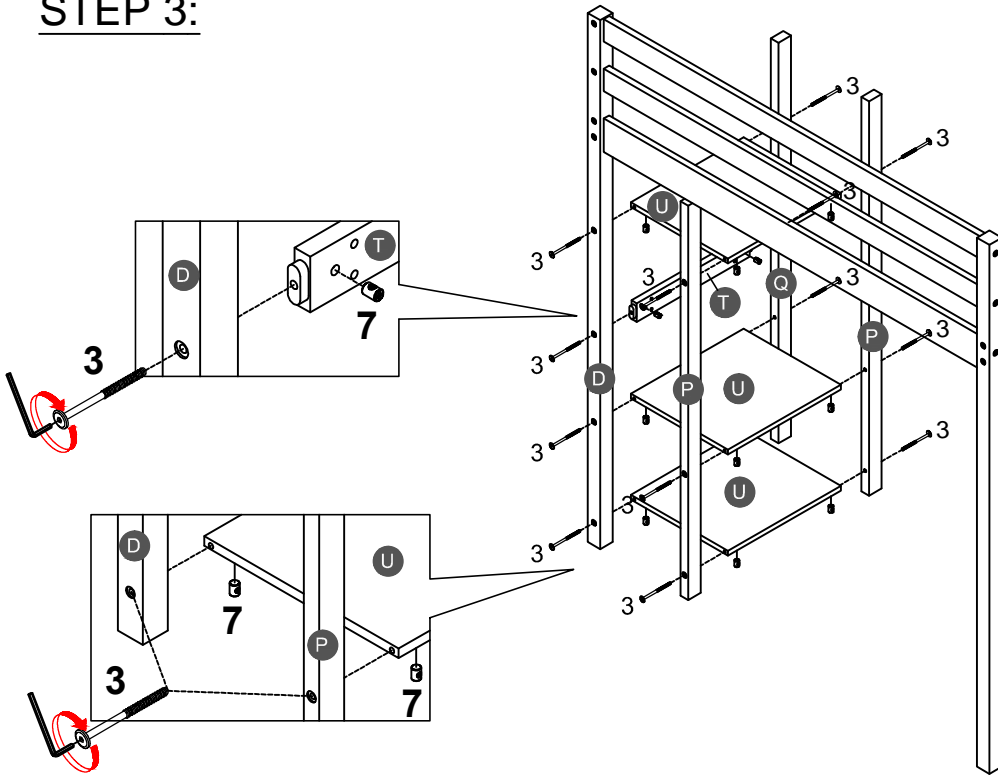




STEP 2:



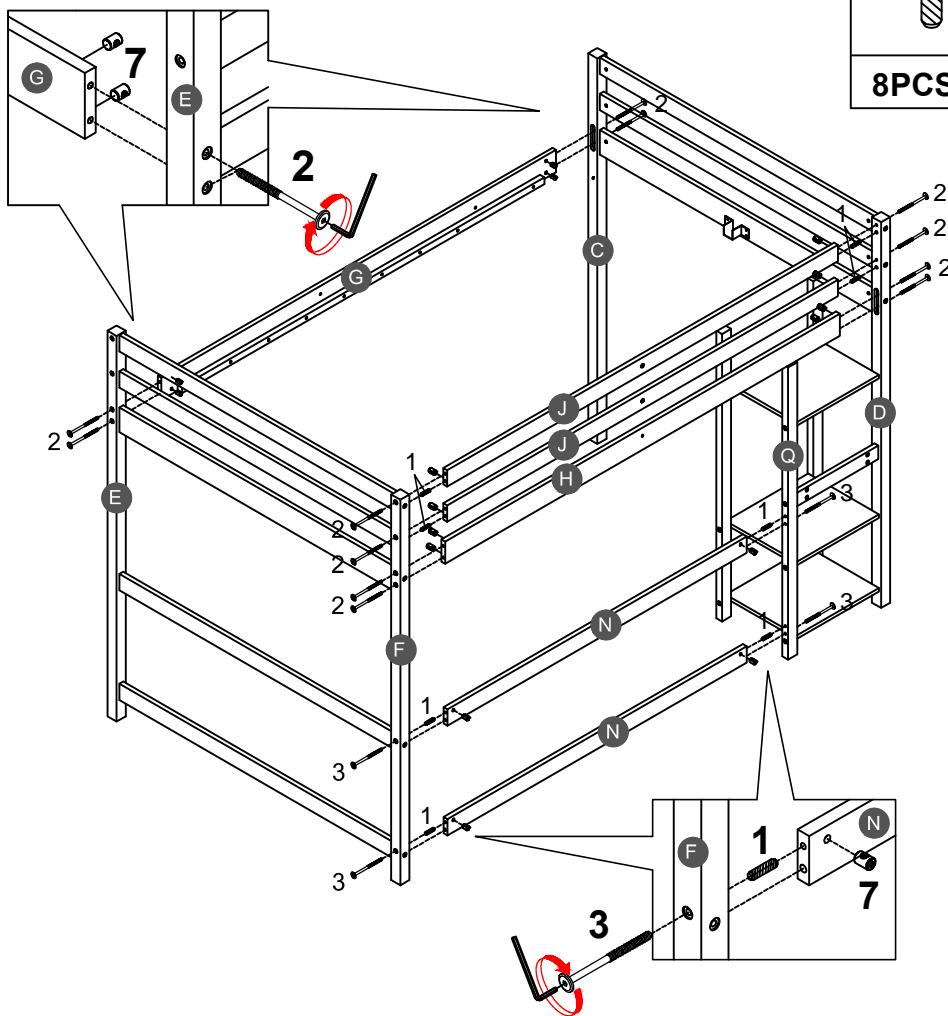
3 	7 	10
10PCS	10PCS	1PC
		11
		4PCS





STEP 3:



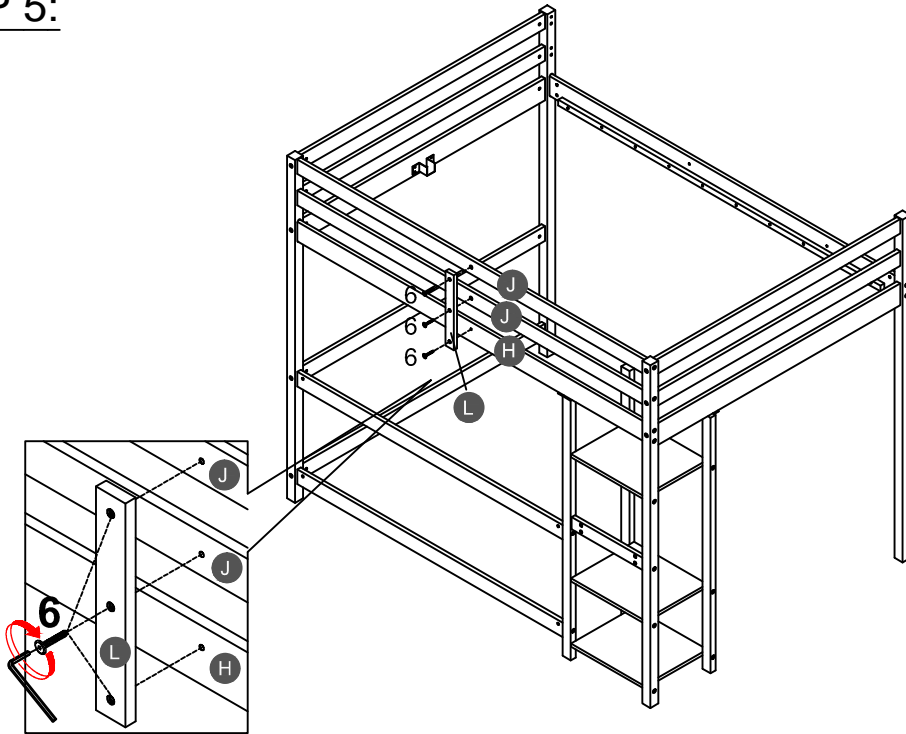
3		7	
14PCS		14PCS	

STEP 4:



1		2		3	
8PCS		12PCS		4PCS	
				7	
				16PCS	

STEP 5:

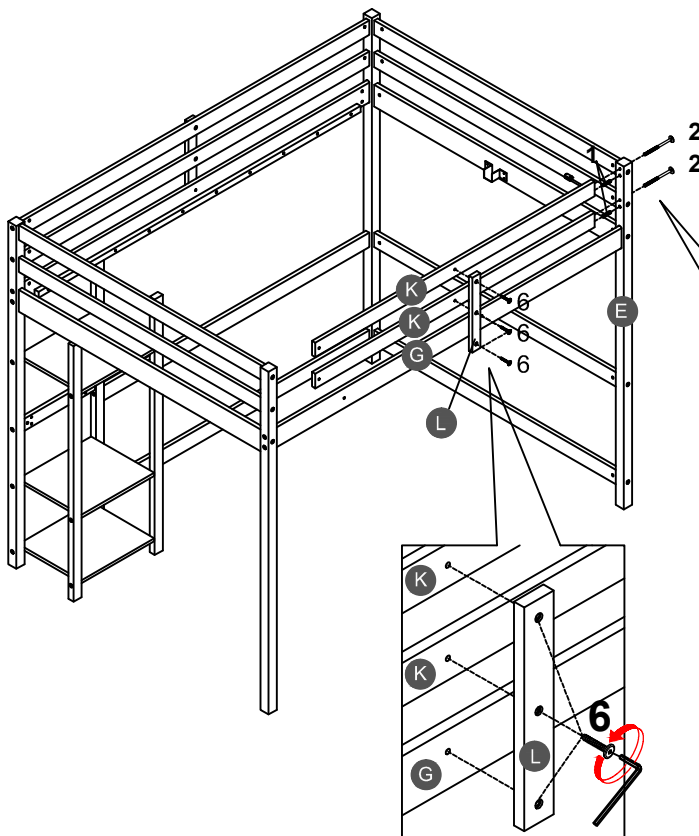


6



3PCS

STEP 6:



1



2PCS

2



2PCS

6

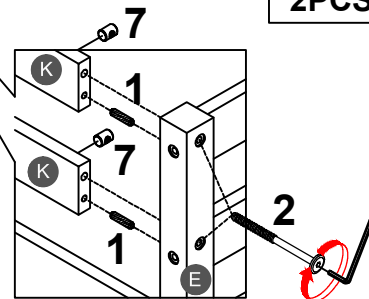


3PCS



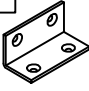

7

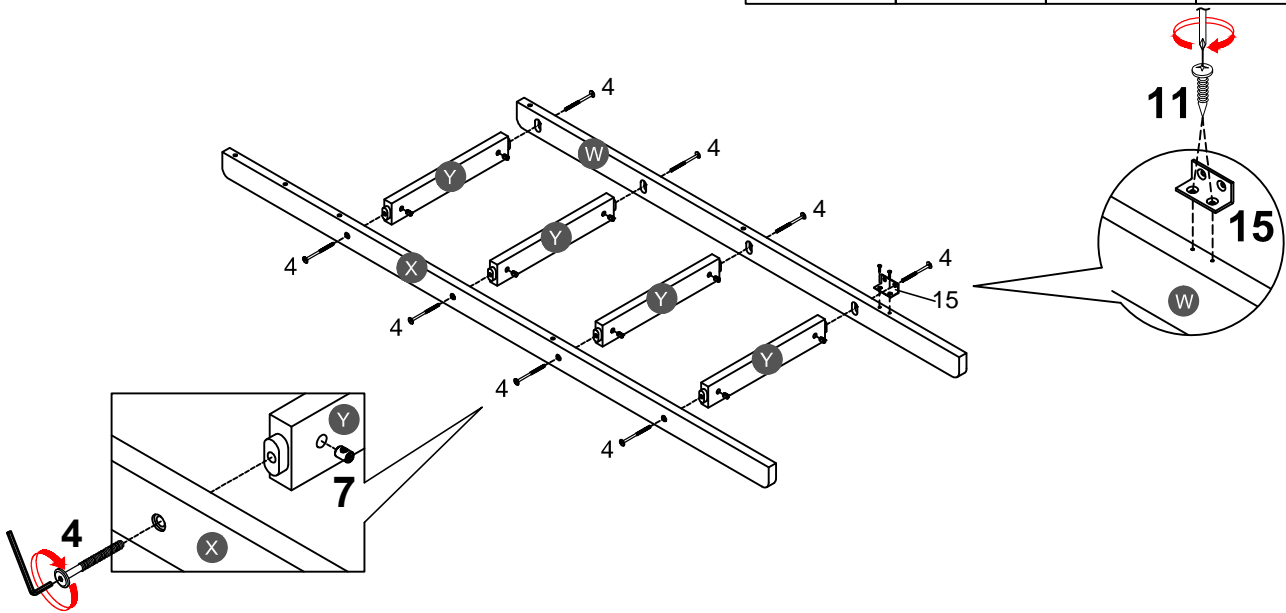


2PCS





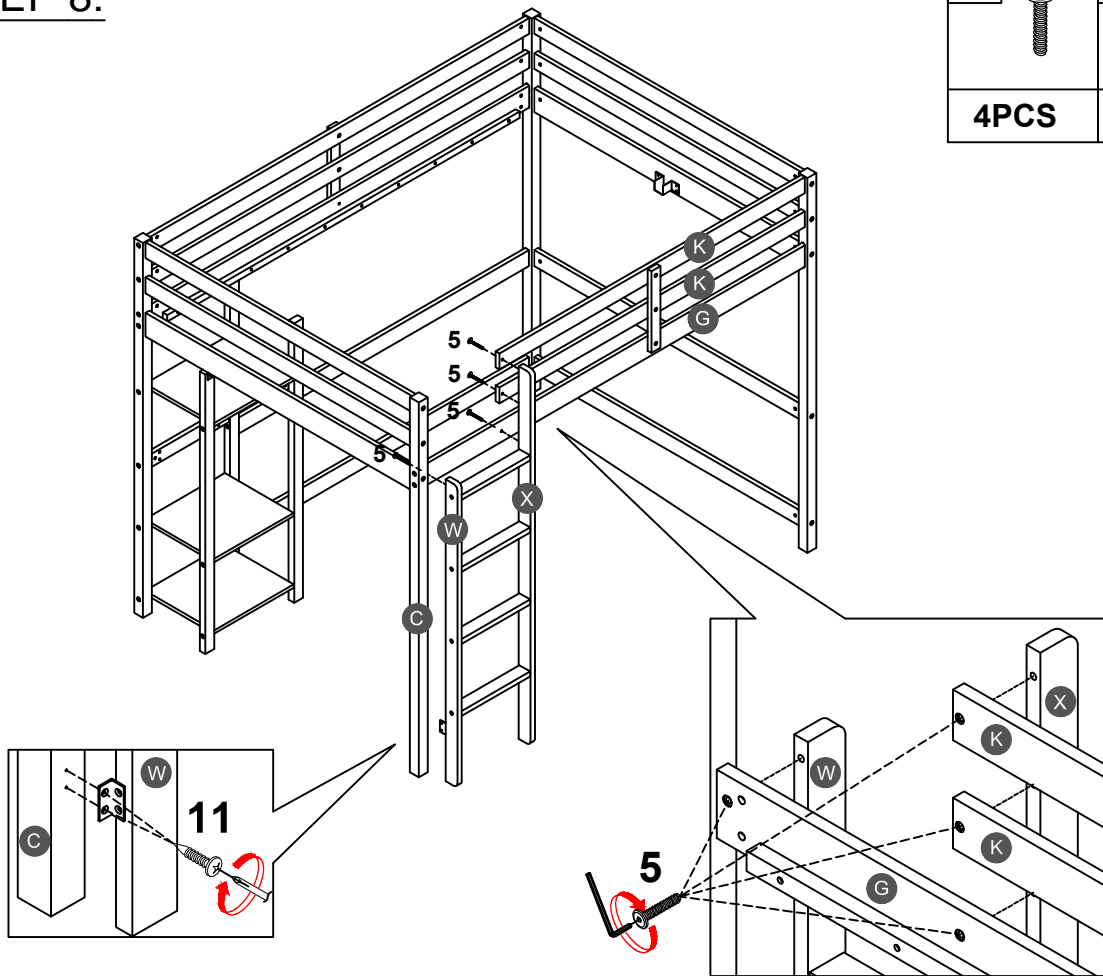
STEP 7:

4		7		15		11	
8PCS		8PCS		1PCS		2PCS	

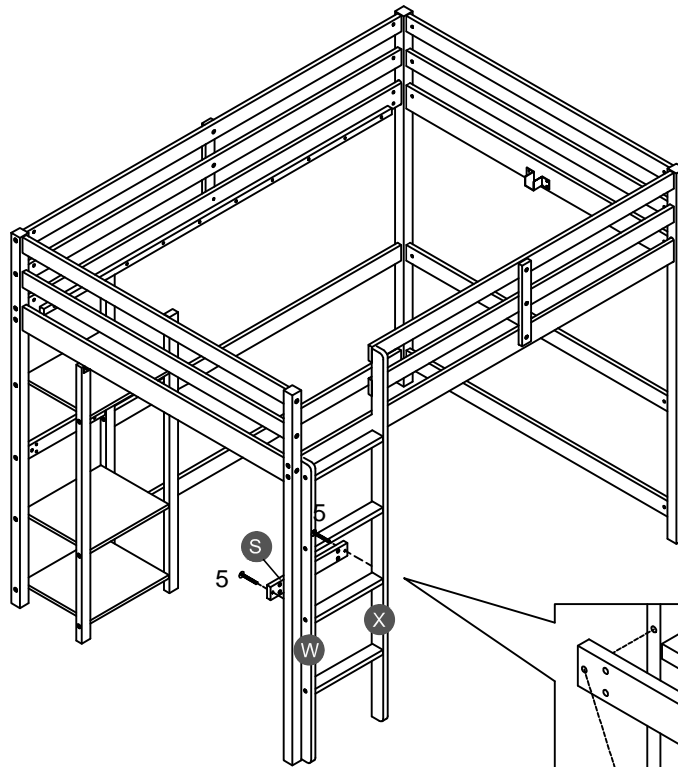


STEP 8:

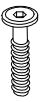
5		11	
4PCS		2PCS	



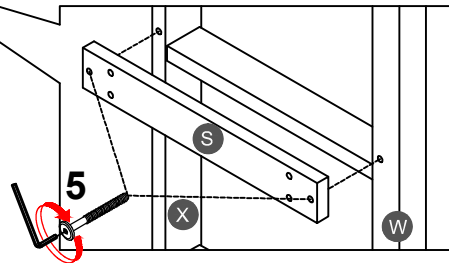
STEP 9:



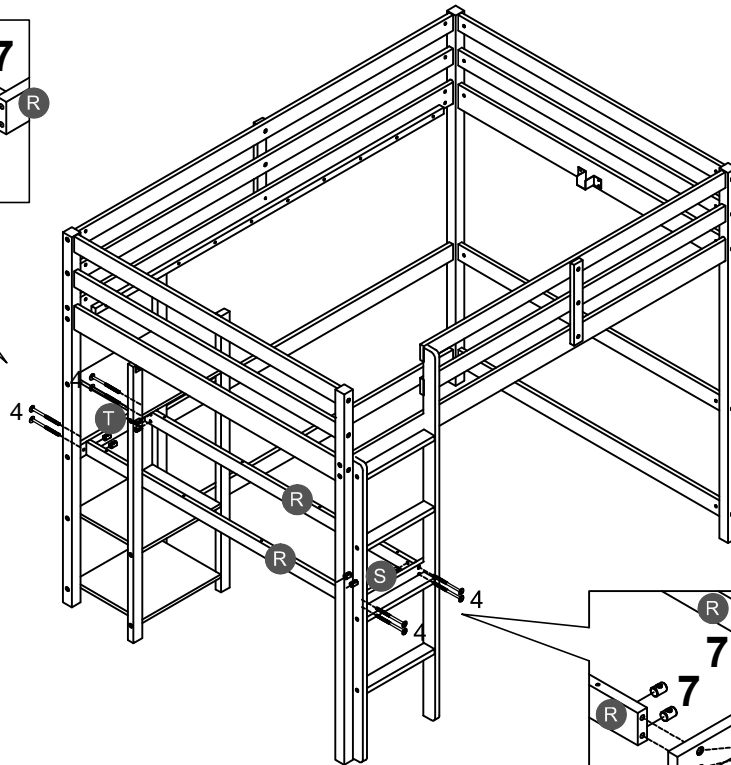
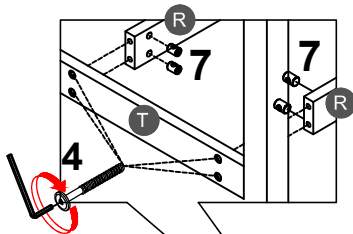
5



2PCS



STEP 10:



4

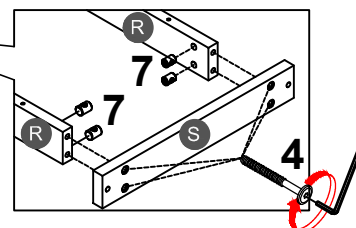


4PCS

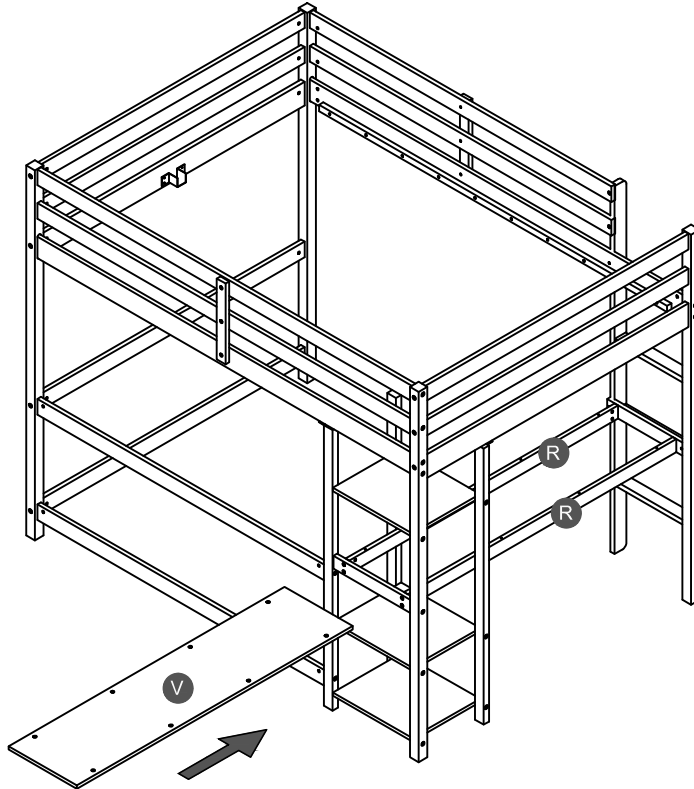
7



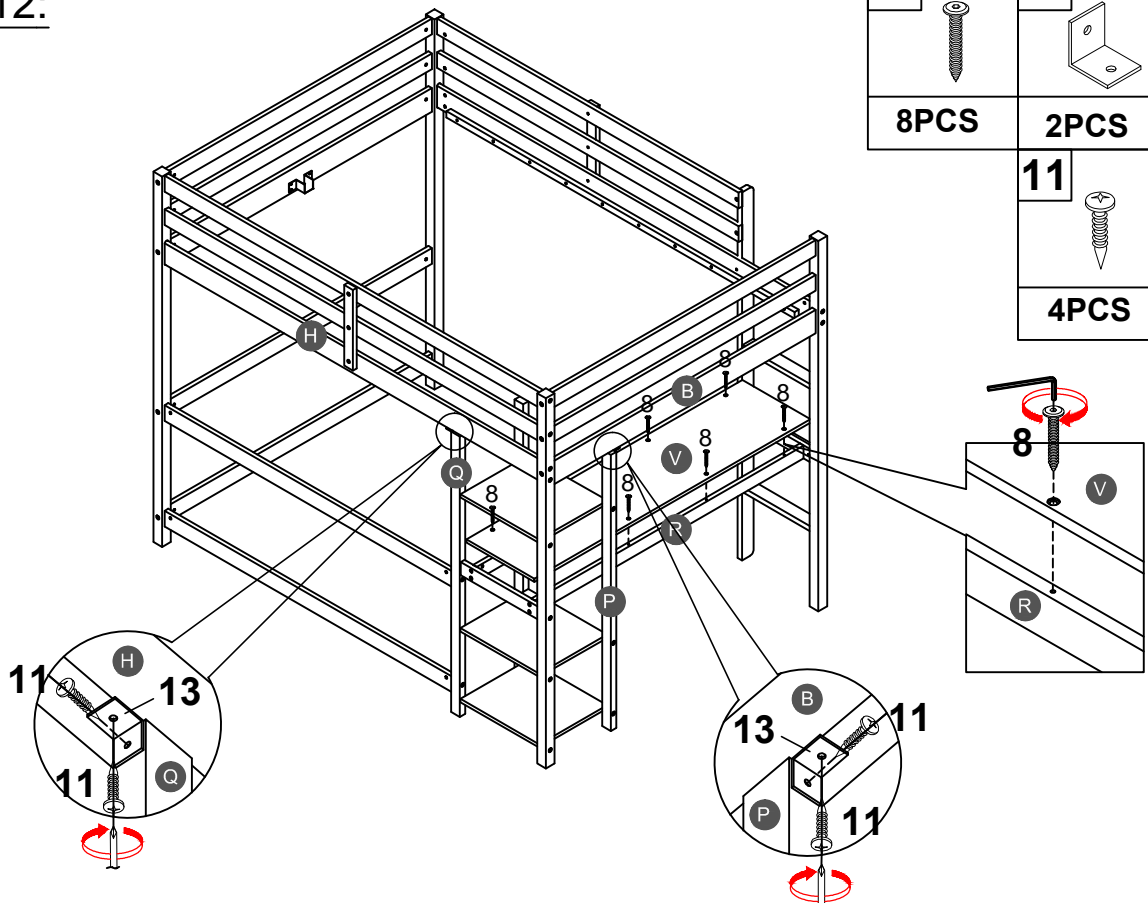
4PCS



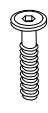
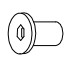
STEP 11:

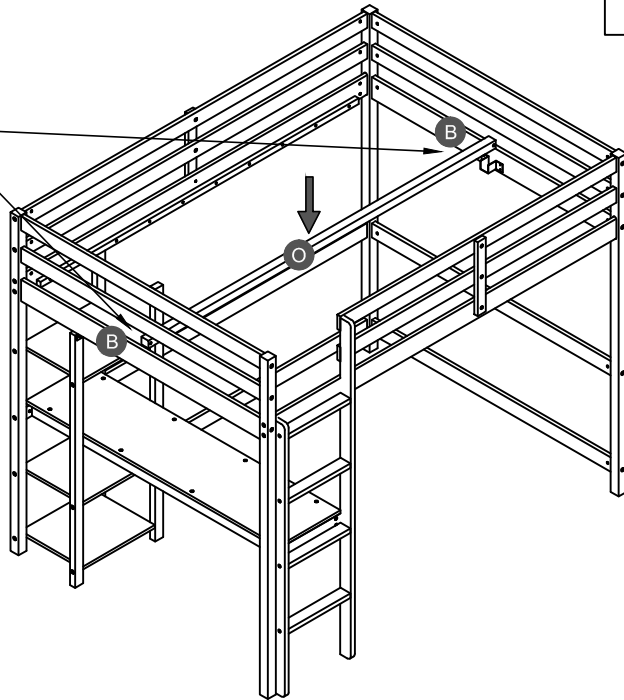
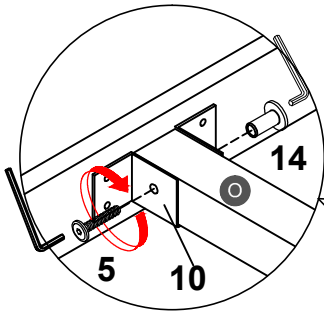


STEP 12:




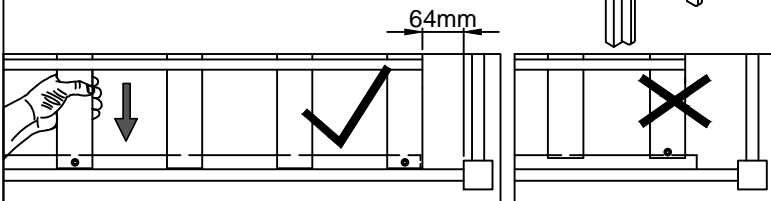
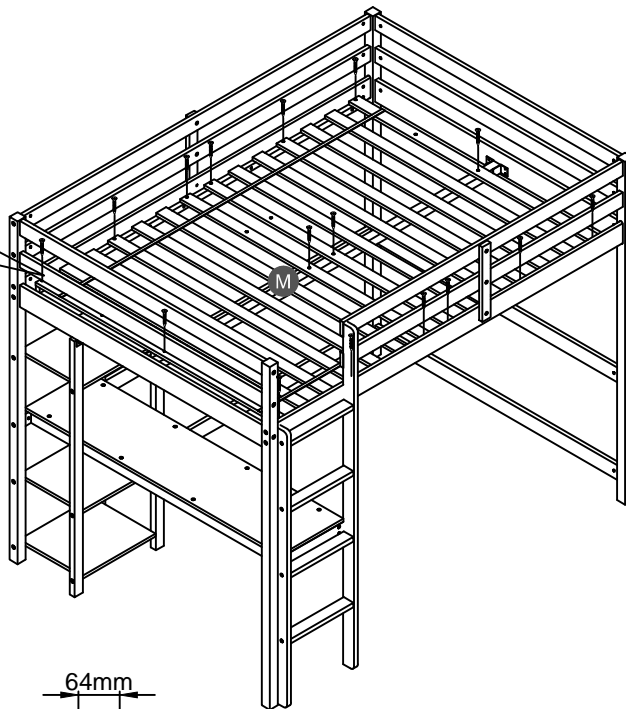
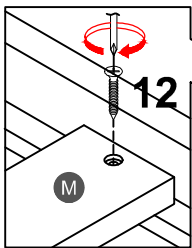
STEP 13:

5		14	
2PCS		2PCS	



STEP 14:

12	
16PCS	



Note: Do not lock the screws of the bed slats to the outermost edge of the bed slats, you need to leave a certain space at the edges, otherwise it will cause the board to break. Do not lock the bed slats on the edge of the wood, please hold firmly before screwing, hold it in place with one hand, then lock the screw.