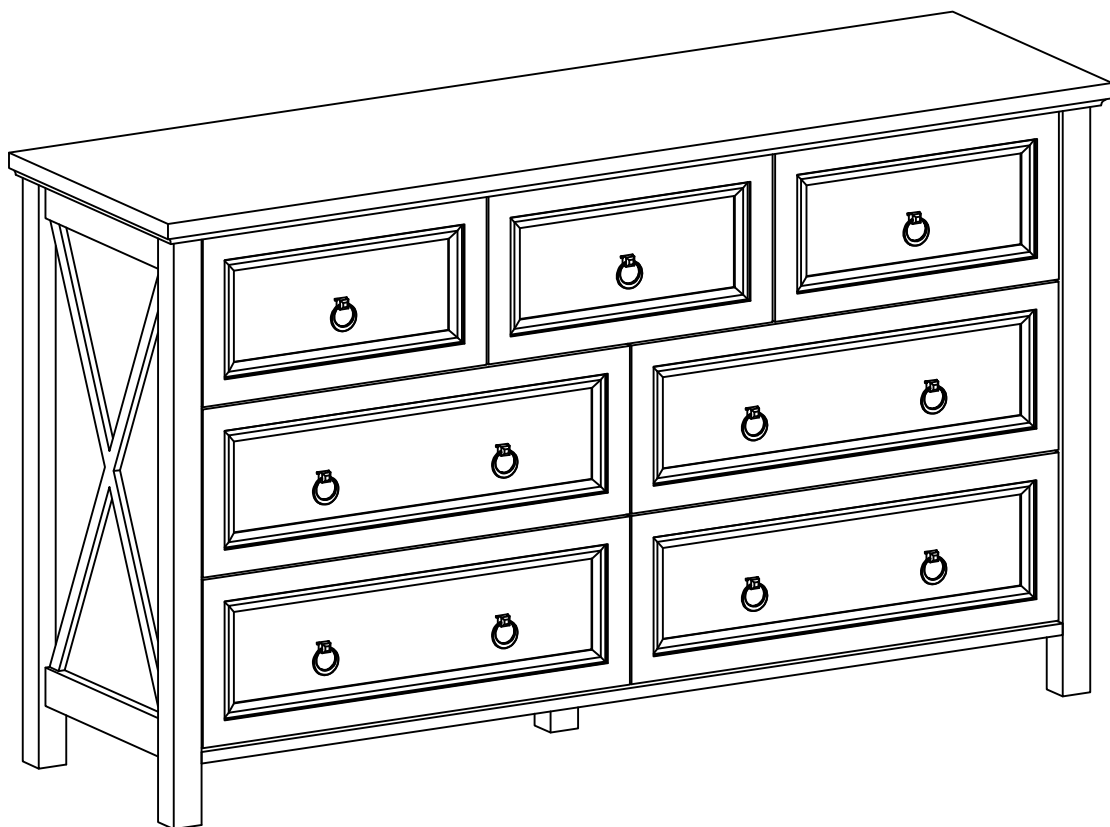
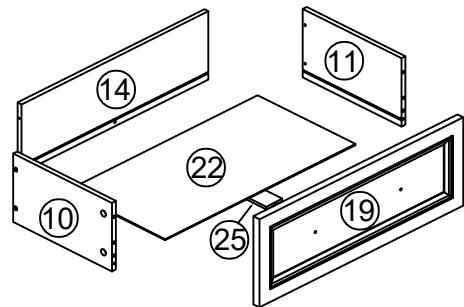
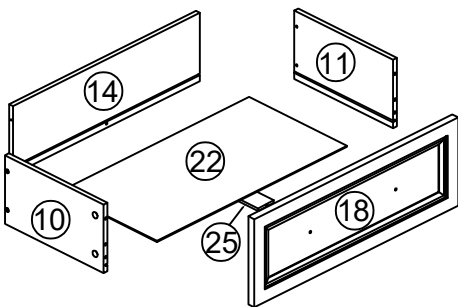
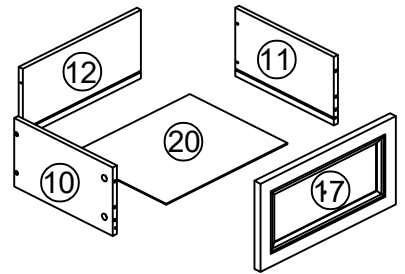
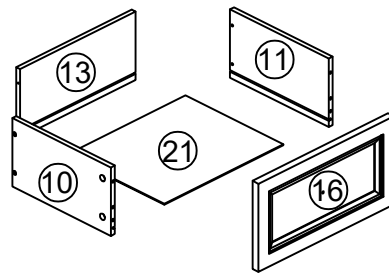
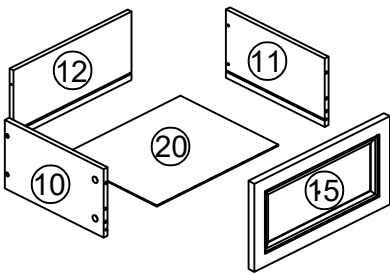
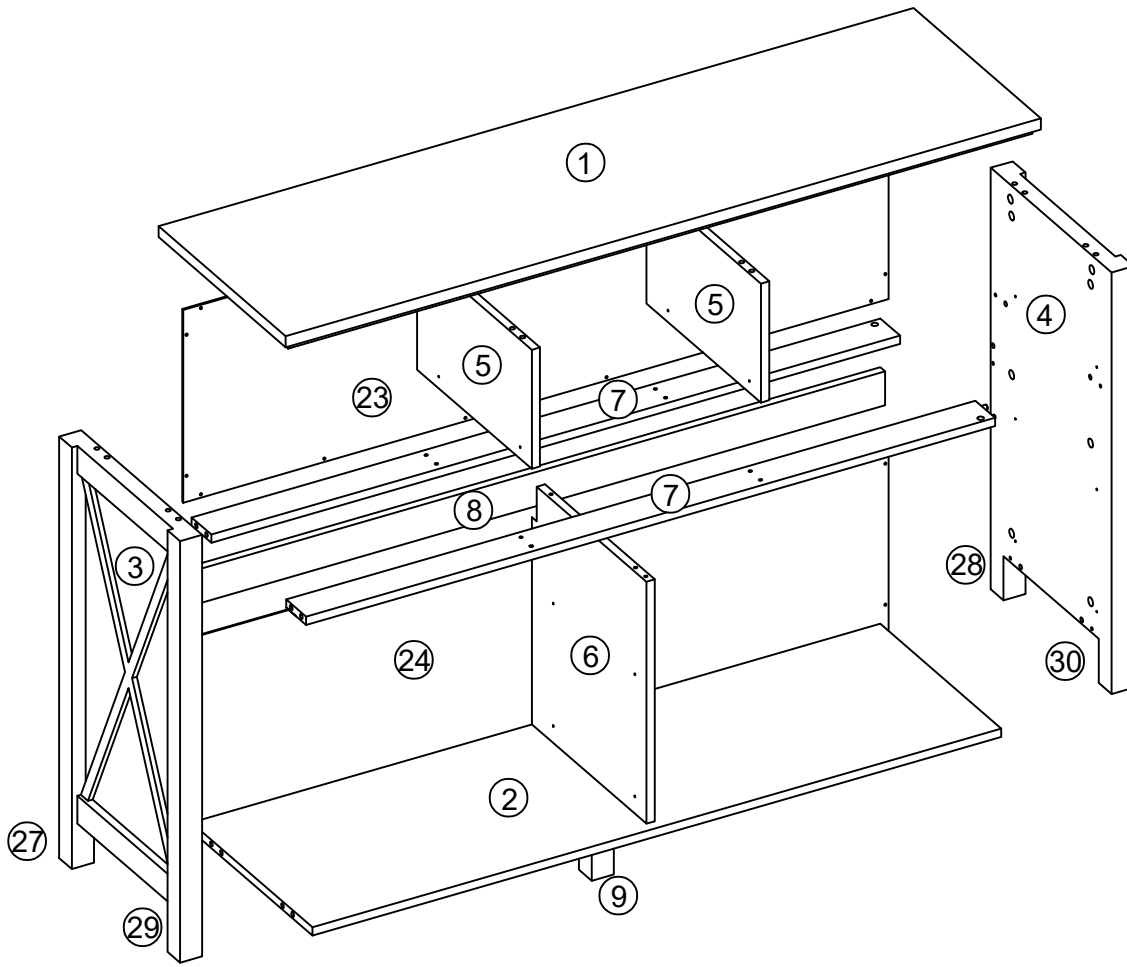


Multifunctional storage


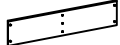

















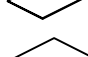
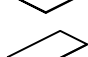

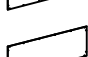
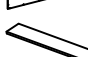
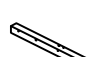

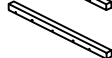
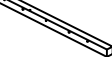

Assembly Instructions



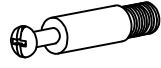





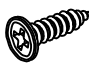
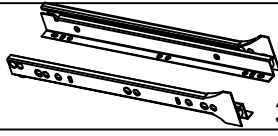
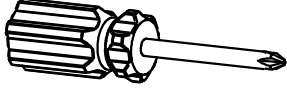

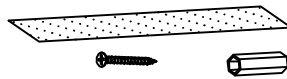

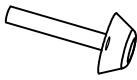
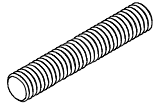
Parts List



Components

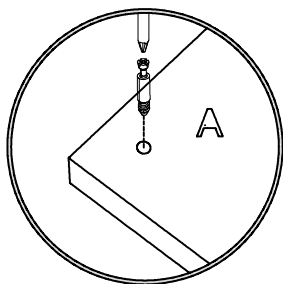
	①X1
	②X1
	③X1
	④X1
	⑤X2
	⑥X1
	⑦X2
	⑧X1
	⑨X1
	⑩X7
	⑪X7
	⑫X2
	⑬X1
	⑭X4
	⑮X1
	⑯X1
	⑰X1
	⑱X2
	⑲X2
	⑳X2
	㉑X1
	㉒X4
	㉓X1
	㉔X1
	㉕X1
	㉗X1
	㉘X1
	㉙X1
	㉚X1

Screws & Tools

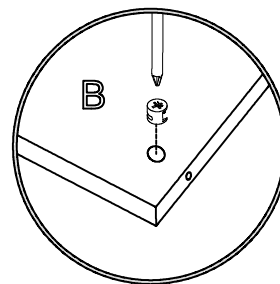
Ⓐ		X62+1
Ⓑ	 Ø15 x 9mm	X62+1
Ⓒ	 Ø8 x 30mm	X28+1
Ⓓ	 Ø6 x 30mm	X14+1
Ⓔ	 Ø3.5 x 35mm	X47+2
Ⓕ	 Ø3.5 x 12m	X56+2
Ⓖ	 Ø3.5 x 12m	X22+11
Ⓕ	 300MM	X7sets
Ⓕ		X1sets
Ⓕ		X11
Ⓕ		X2
Ⓕ	 M4X8mm	X11
Ⓕ	 M6	X1
Ⓕ	 M6X30mm	X1

Check all the components & screws before assembly.
Do not install in case part is missing, contact us to get.
Send email with your question to support@idealhouse.vip
We will resend within 24 hours

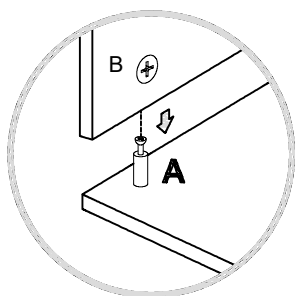
How to use the cam lock system



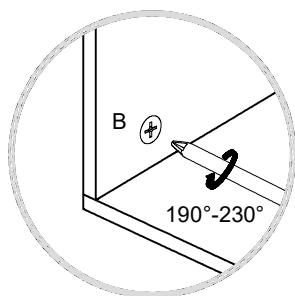
1. Screw cam bolt into panel



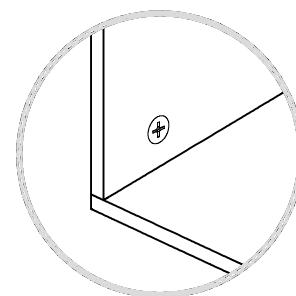
2. Push cam into panel - arrow feature on cam top points to panel edge



3. Align cam bolt(s) with cam(s) and insert all the way into cross-bored hole(s)

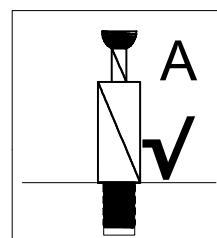
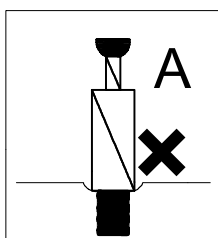
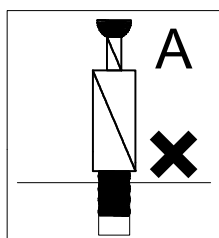
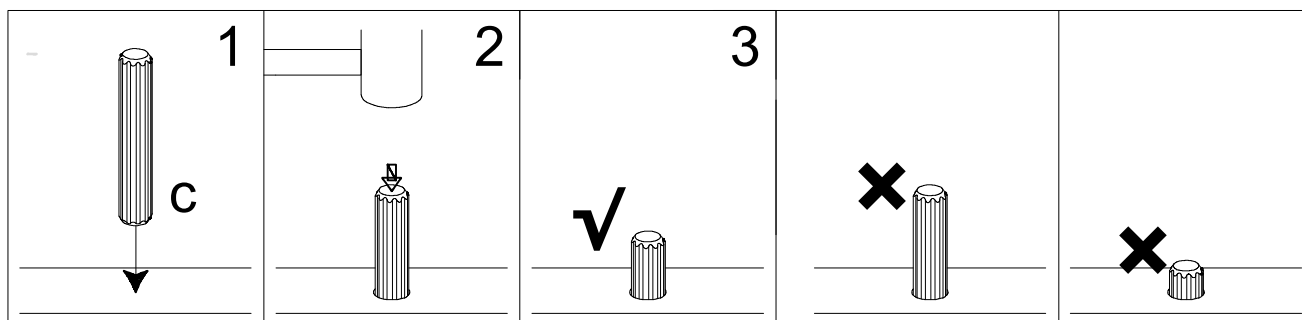


3. Rotate cam(s) clockwise 190°-230° to lock panels together



5. Panels should be tight against each other and connection should be rigid

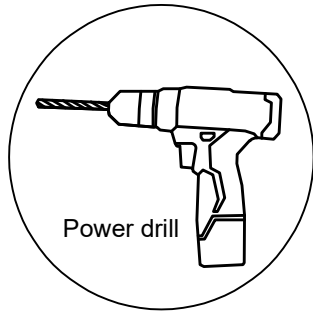
Insert the wood dowel [C] at least half way by tapping lightly with a rubber mallet ,IF NECESSARY.



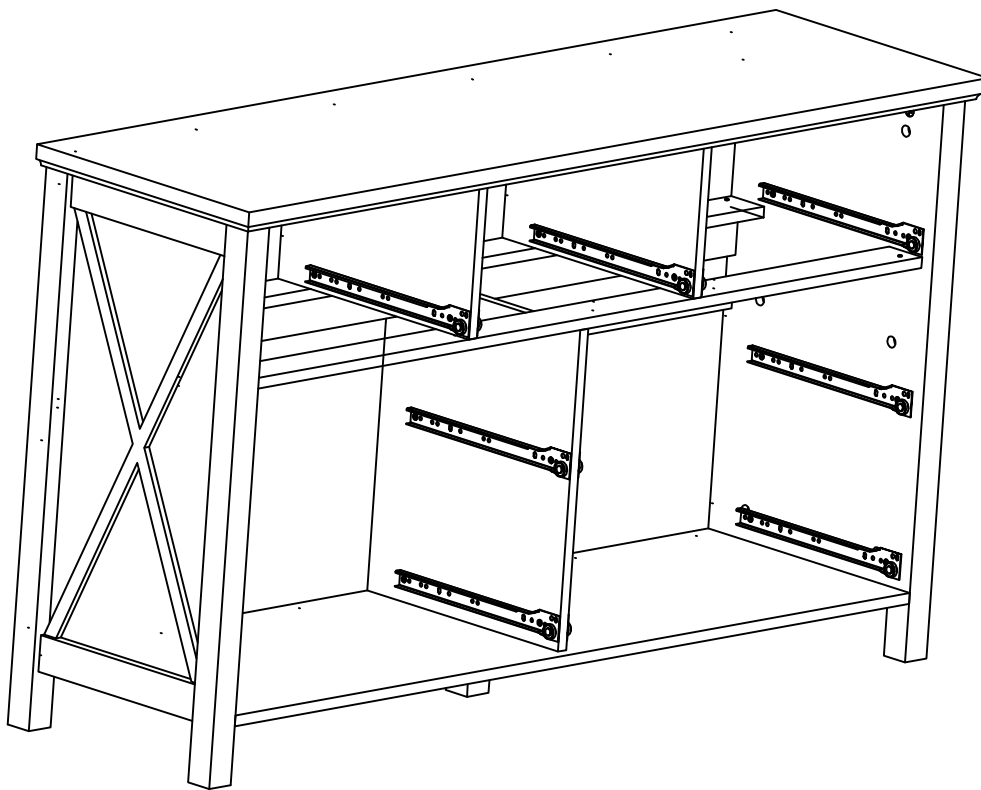
- Unit must be placed on a level surface or leveled with included hardware (when applicable).
- Do not sit or stand on or allow children to climb, sit or stand on the assembled product.
- For safety reasons, it is imperative that this unit be mounted to the wall.
- Do not use without installing the tip restraint.
- Unit can tip over causing severe injury or death.
- Do not exceed the recommended weight limits.
- Evenly distribute the weight on each level and always keep the heavier loads on the bottom.
- Before cutting, drilling or hammering into any wall or floor surface, verify the location of electrical, plumbing and gas lines. Cutting may cause serious injury.

Ready to assemble the dresser

Before installation, observe each structure of the drawer dresser. The drawer dresser consists of two main parts. You will assemble the chest first, and then install the five drawers. Finally, look at the finished look, and contrast list of part, imagine how to install it faster, hope this will help you.

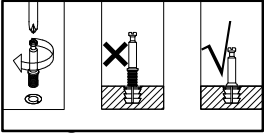
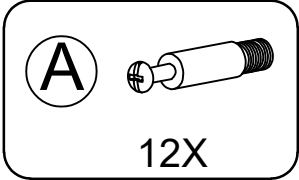


We recommend using a power drill to assemble.

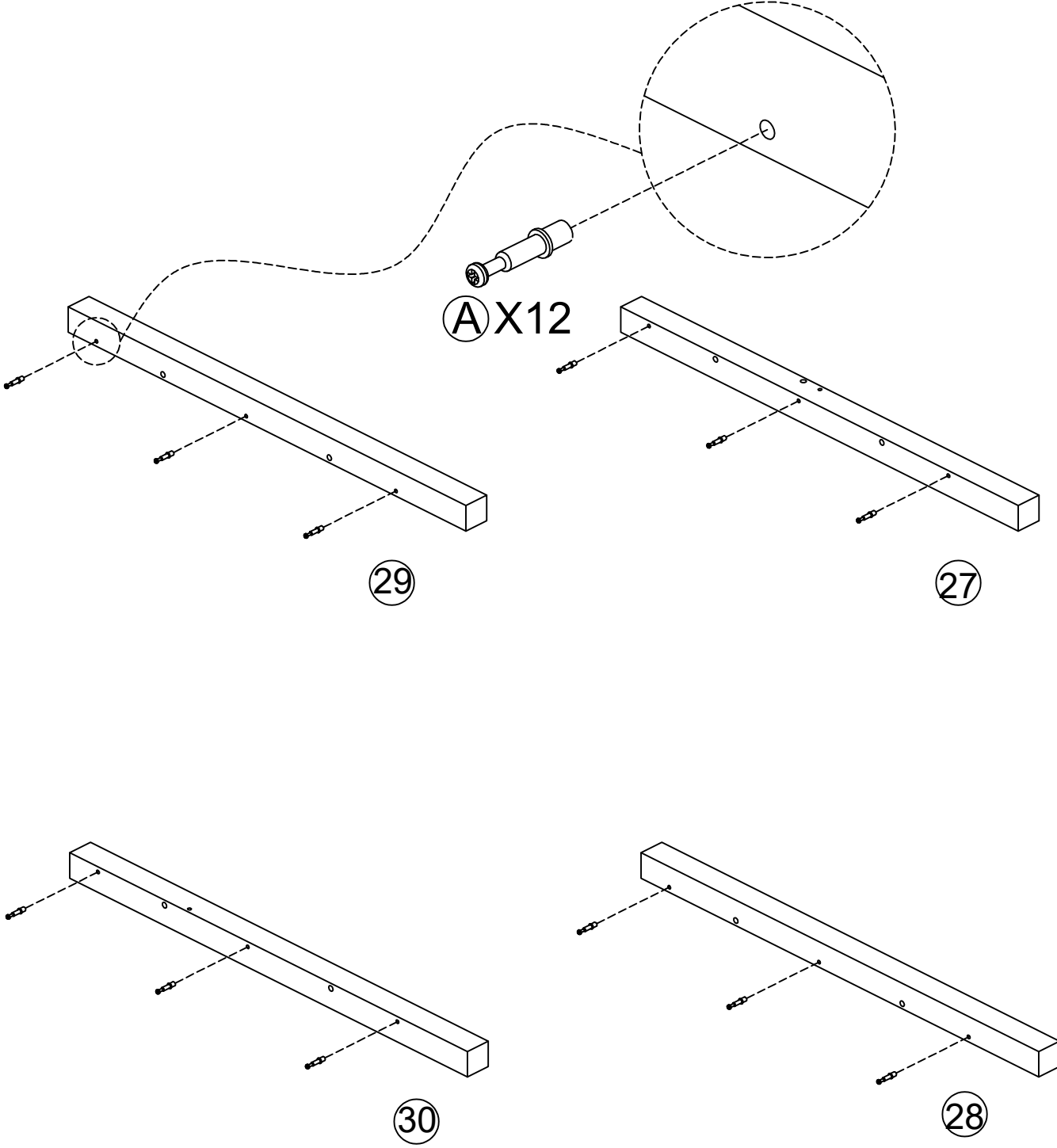


Step 1

-Attach (A) to (27) & (28) & (29) & (30)

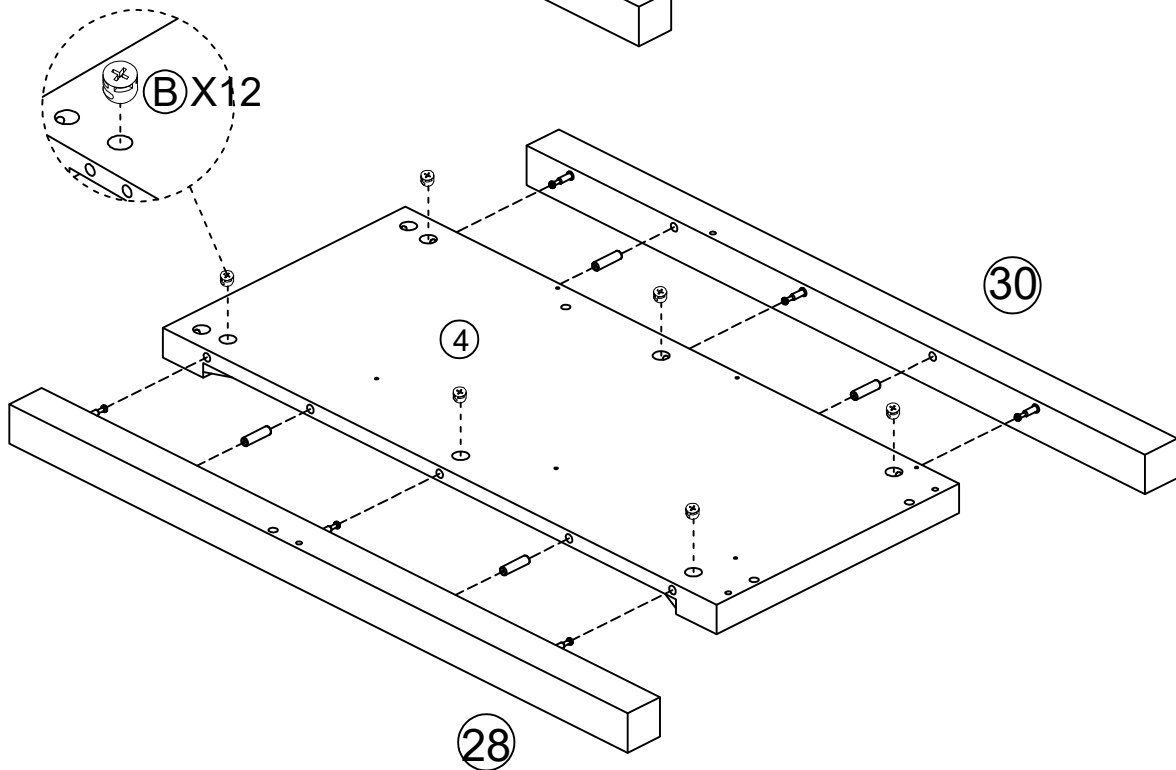
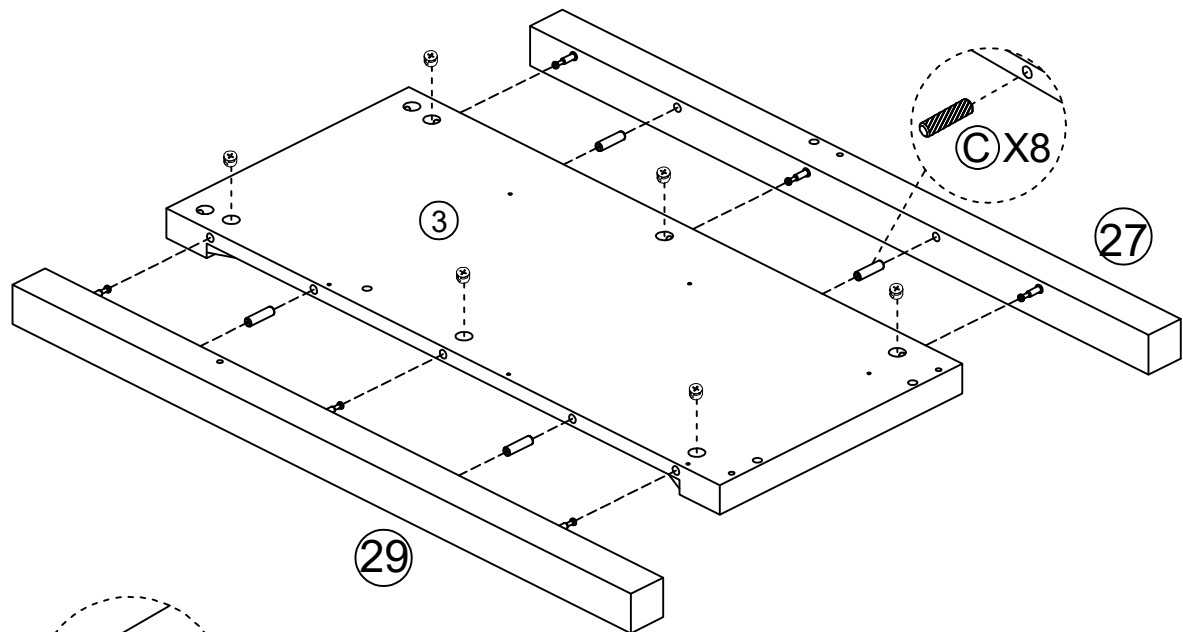
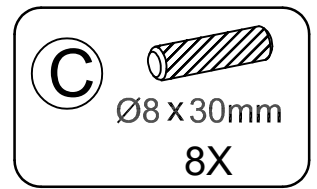
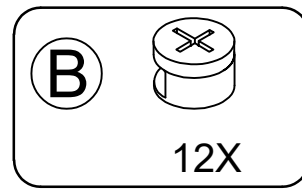


Tighten (A) clockwise until all of their threads are engaged.



Step 2

- Attach ③ to ④
- Attach ②⑦ & ②⑨ to ③ as below shown
- Attach ②⑧ & ③⑩ to ④ as below shown
- Screw ②B to lock the ③ & ④ as below shown

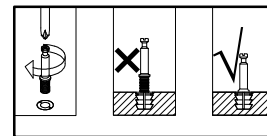


Warm Tips: Make sure the 4 large pre-drilled hole are on the upside
③ & ④ holes should be in the same side.

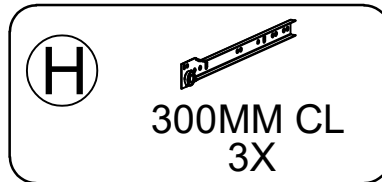
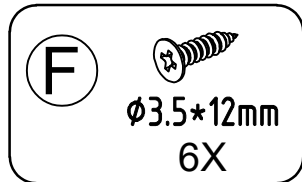
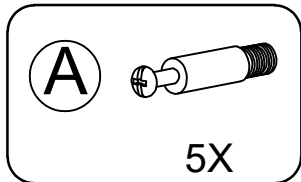
Step 3

-Screw (A) to (3) as below shown

-Install the drawer slides (H) on the left right side panel (3).
When building it make sure to take note of the drawer slides is the one with a flat end.

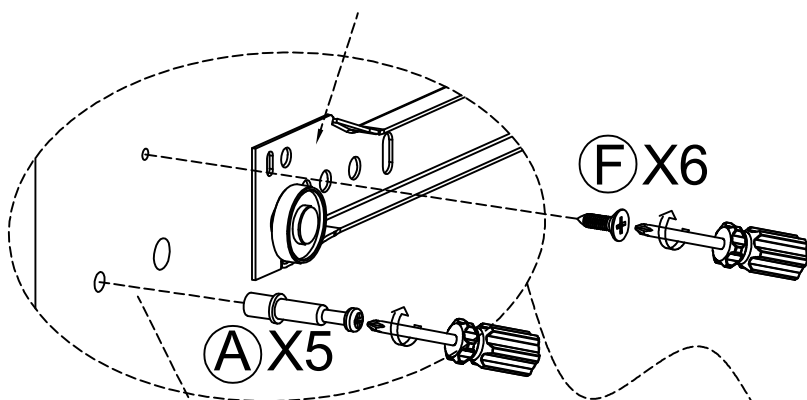


Tighten (A) clockwise until all of their threads are engaged.

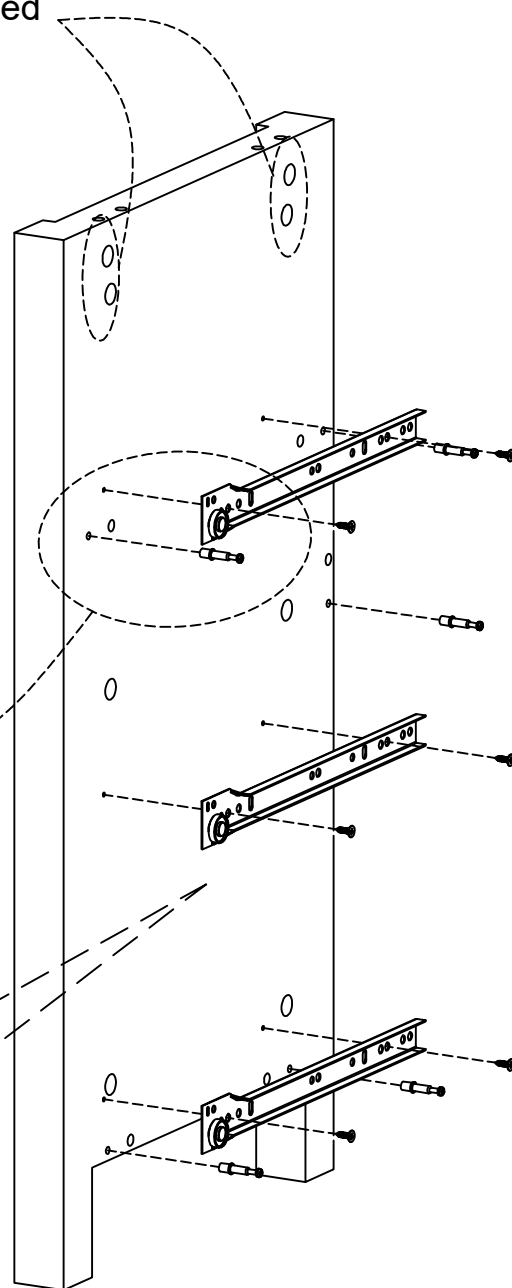
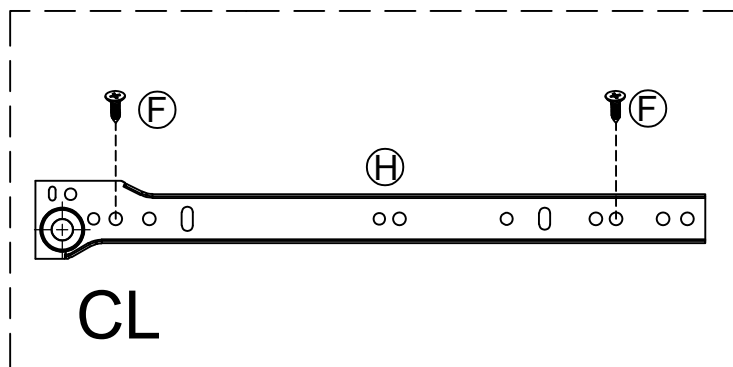


Make sure the 4 large pre-drilled hole are on the upside.

(F) should be locked in the Second hole against the pulley.



(F) should be screw to the small holes

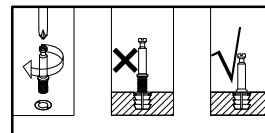


Step 4

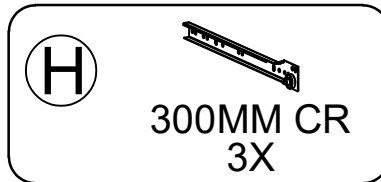
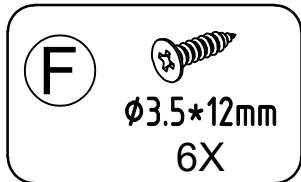
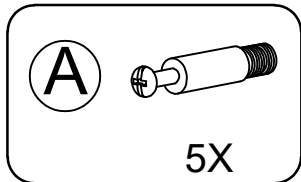
-Screw (A) to (4) as below shown

-Install the drawer slides (H) on the left right side panel (4).

When building it make sure to take note of the drawer slides is the one with a flat end.

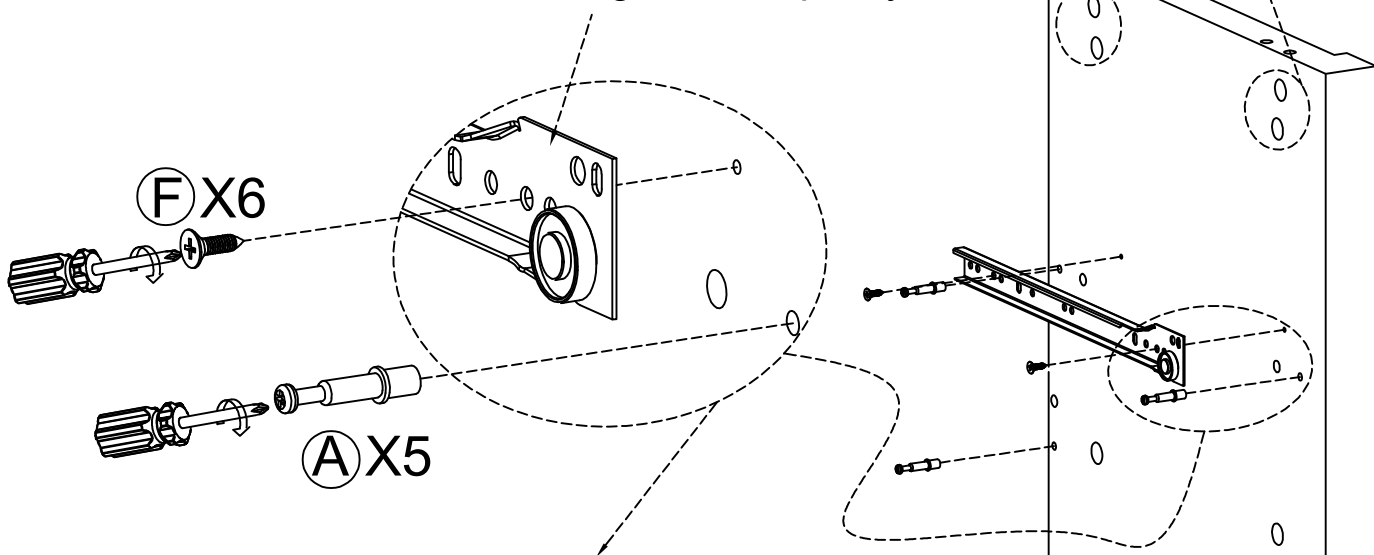


Tighten (A) clockwise until all of their threads are engaged.

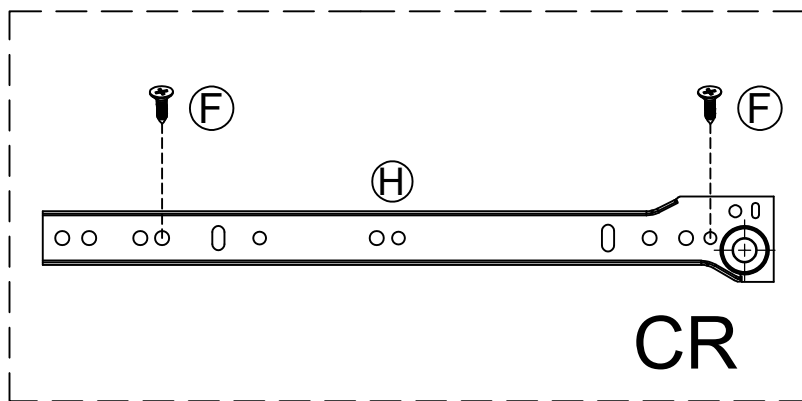


Make sure the 4 large pre-drilled hole are on the upside.

(F) should be locked in the second hole against the pulley.

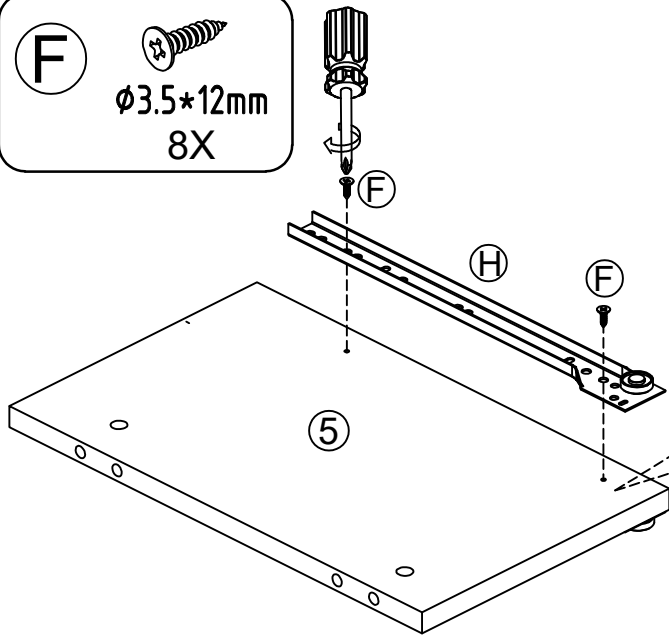
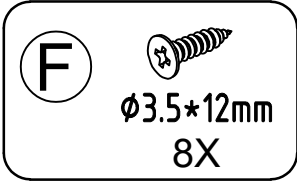
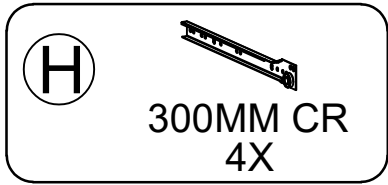


(F) should be screw to the small holes

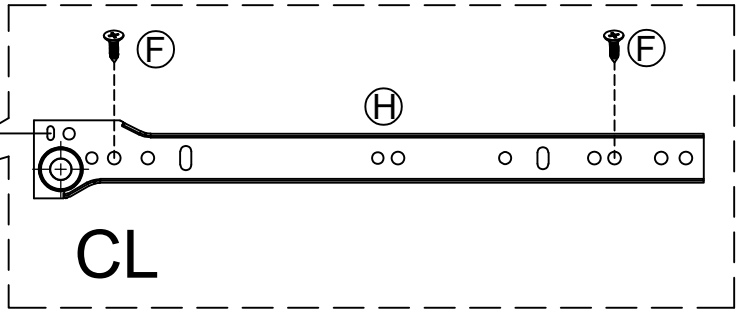


Step 5

-Install the drawer slides (H) on the Middle panel (5).
Make sure the drawer slide is the one with a flat end when you build it.



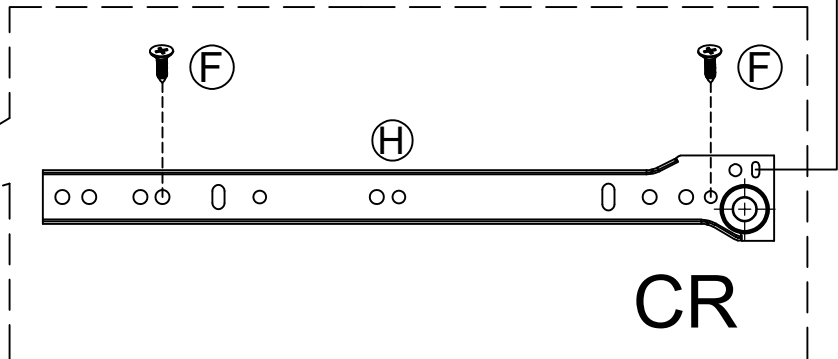
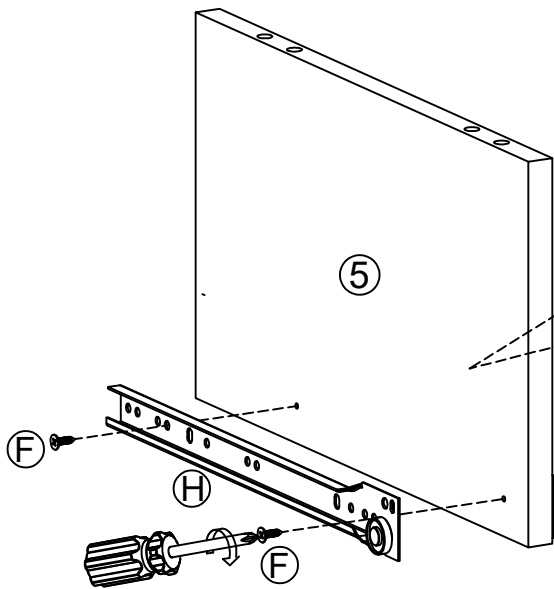
The first hole in the UPPER row holes of the slide is without the corresponding pre-drilled hole, after fix the position of the slide and then screw on.



Install first rail on the right side of board.

X2

The first hole in the UPPER row holes of the slide is without the corresponding pre-drilled hole, after fix the position of the slide and then screw on.



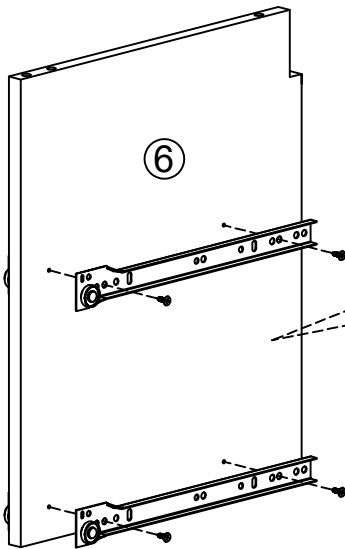
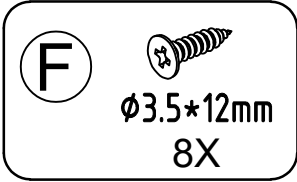
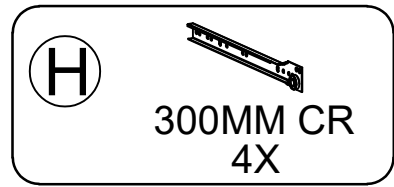
Install first rail on the right side of board.

X2

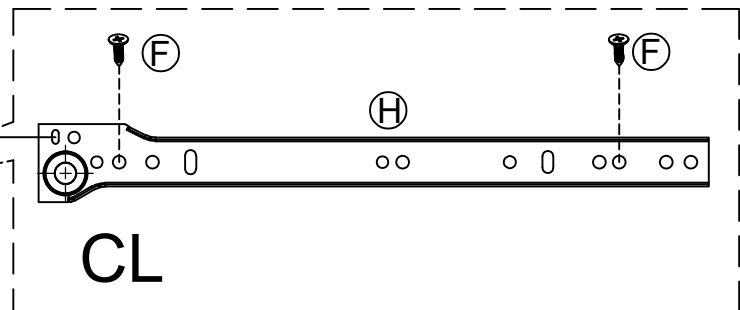
NOTICE: To ensure the stability of the structure, please pay attention to the hole position when locking screws. CL slide should lock on the second hole position near the pulley, CR slide lock on the first hole position near the pulley.

Step 6

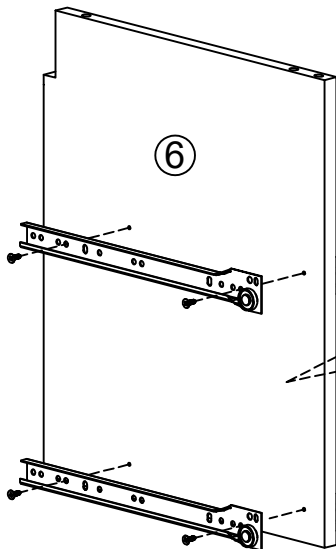
-Install the drawer slides (H) on the Middle panel (6).
Make sure the drawer slide is the one with a flat end when you build it.



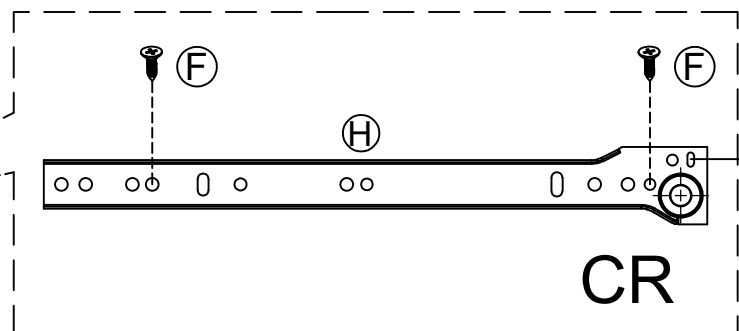
The first hole in the UPPER row holes of the slide is without the corresponding pre-drilled hole, after fix the position of the slide and then screw on.



Install first rail on the right side of board.



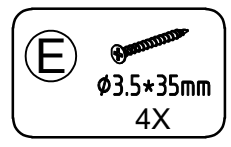
The first hole in the UPPER row holes of the slide is without the corresponding pre-drilled hole, after fix the position of the slide and then screw on.



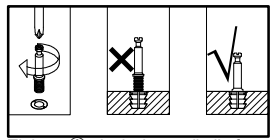
Install first rail on the right side of board.

NOTICE: To ensure the stability of the structure, please pay attention to the hole position when locking screws. CL slide should lock on the second hole position near the pulley, CR slide lock on the first hole position near the pulley.

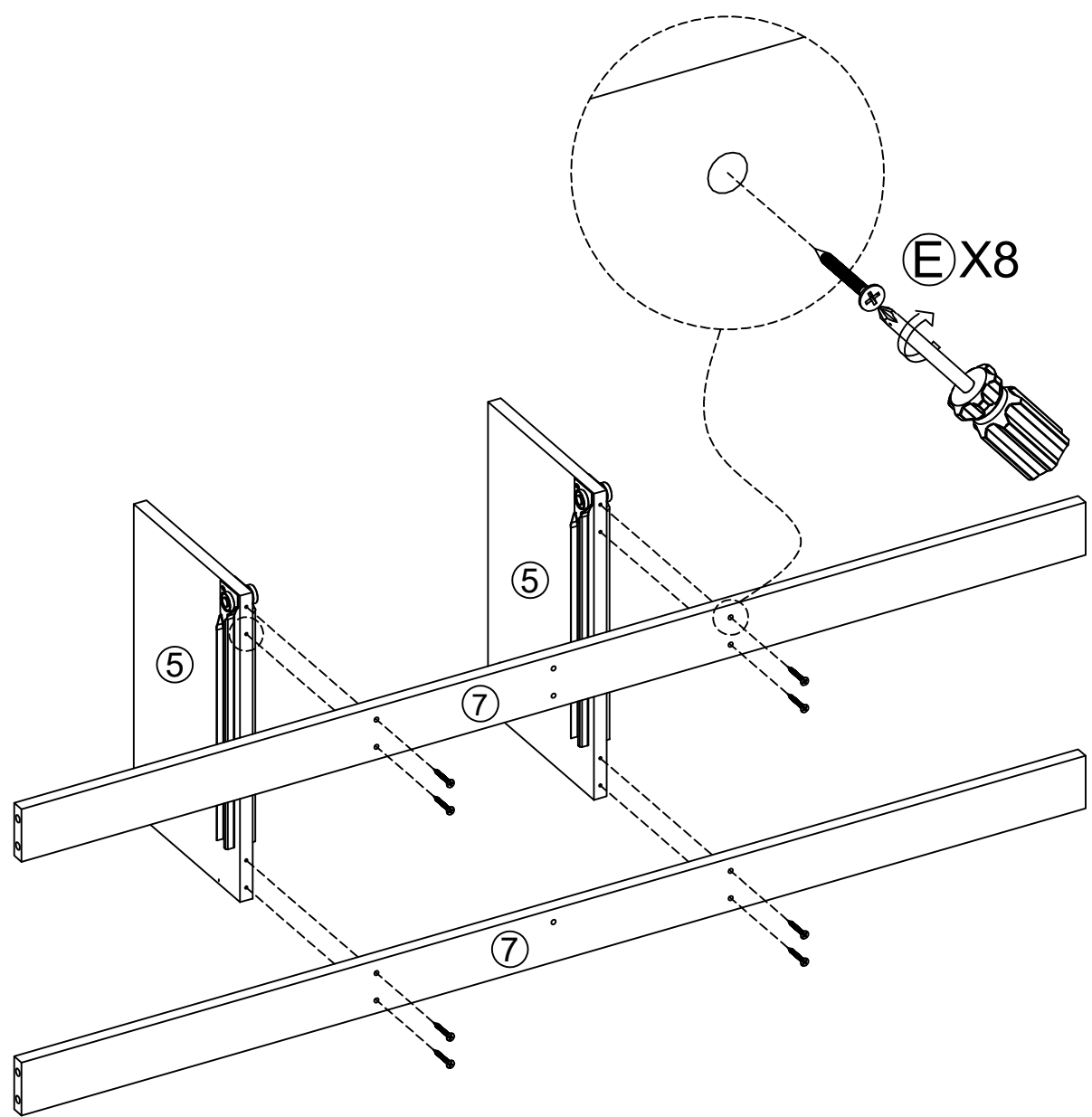
Step 7



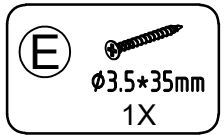
-Screw (E) to lock (7) & (26) to the (5) as below shown



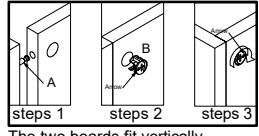
Tighten (A) clockwise until all of their threads are engaged.



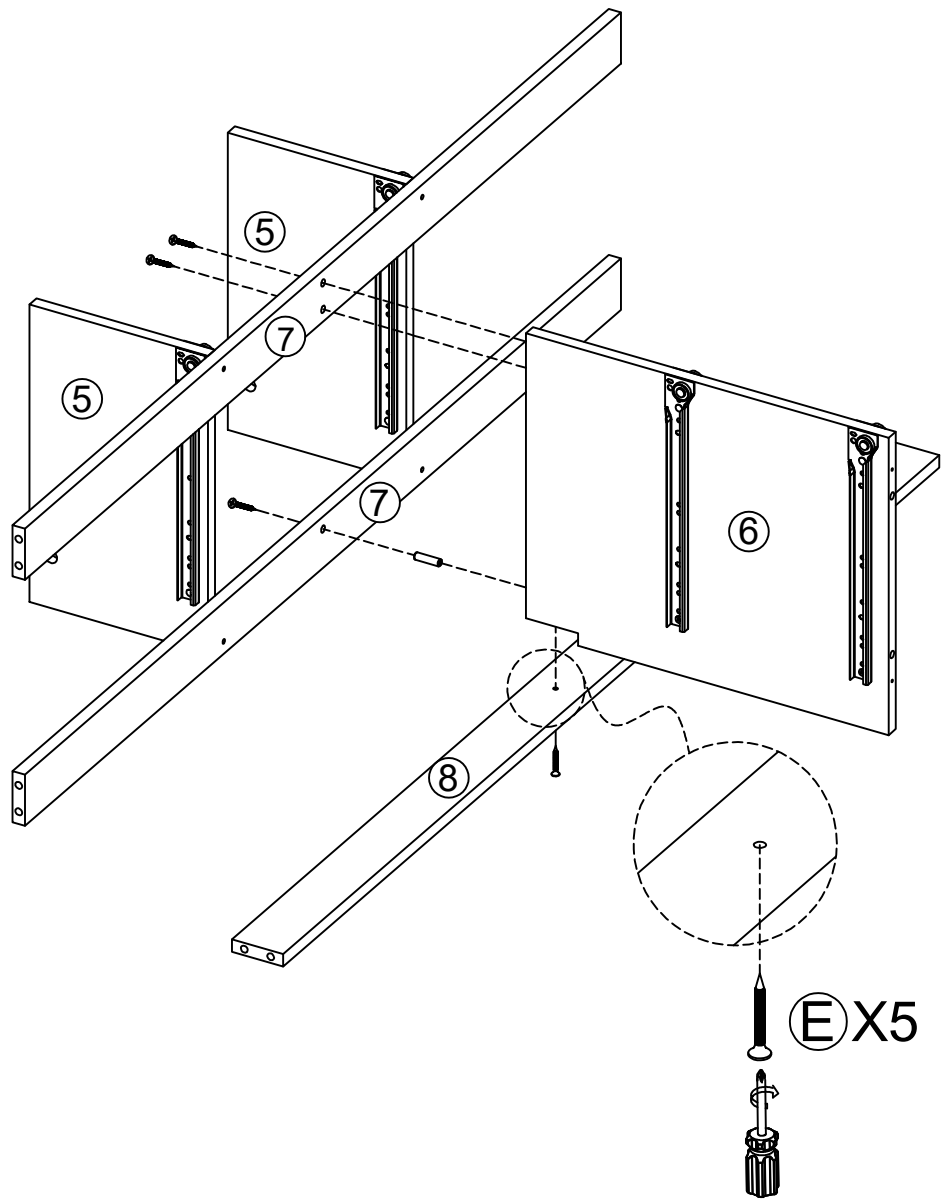
Step 8



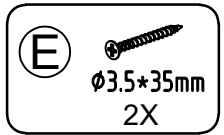
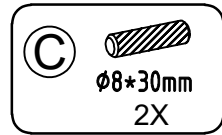
- Screw ⓔ to lock Ⓢ to theⓖ as below shown
- Screw ⓔ to lock ⓑ & ⓓ to theⓖ as below shown



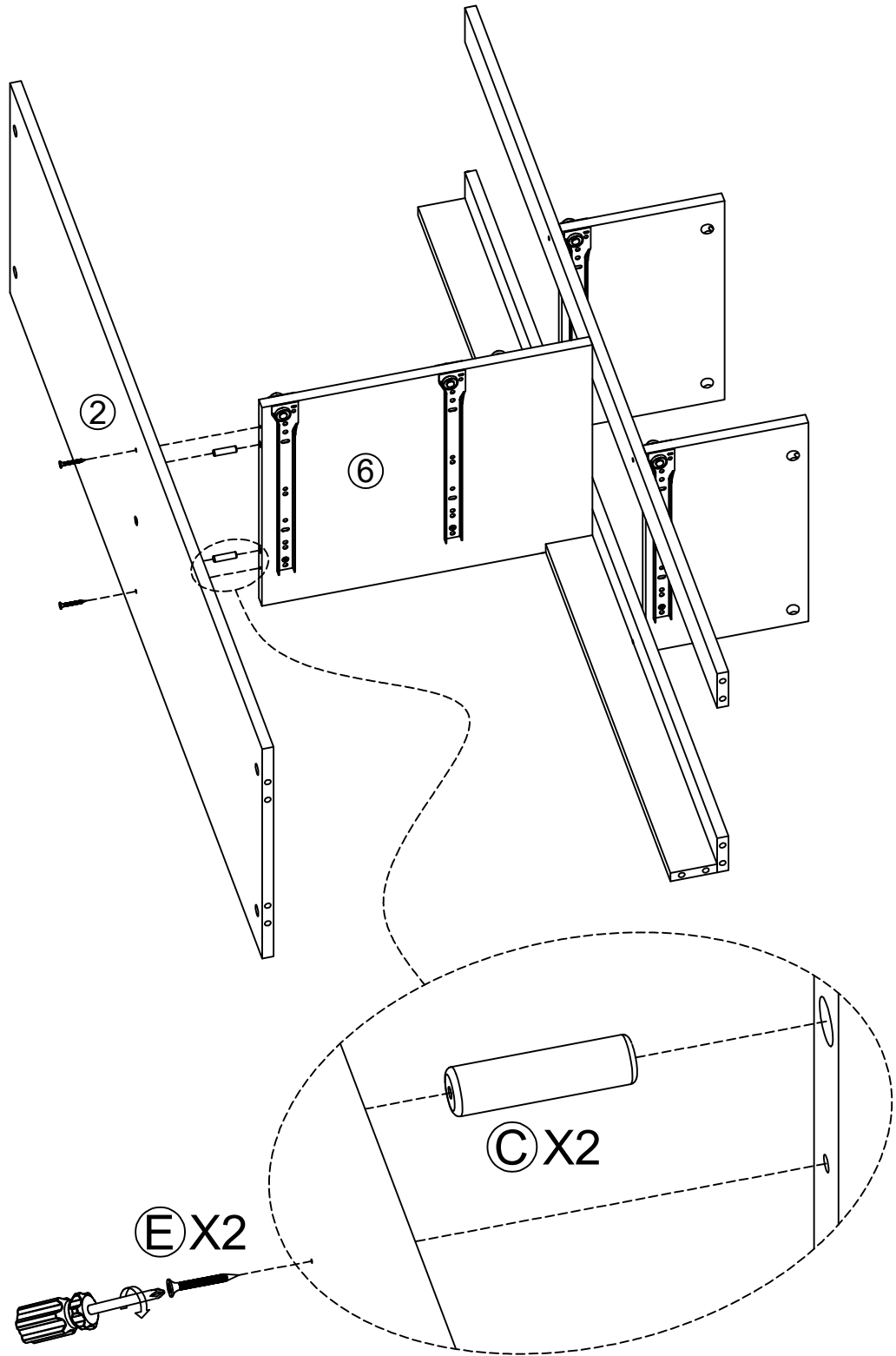
The two boards fit vertically, place(B) and match their holes with (A) then tighten (B) clockwise.



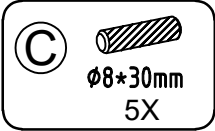
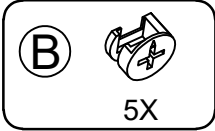
Step 9



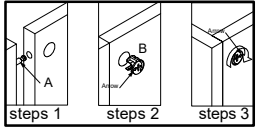
- Attach **C** to **6** as below shown
- Screw **E** to lock **2** to the **6** as below shown



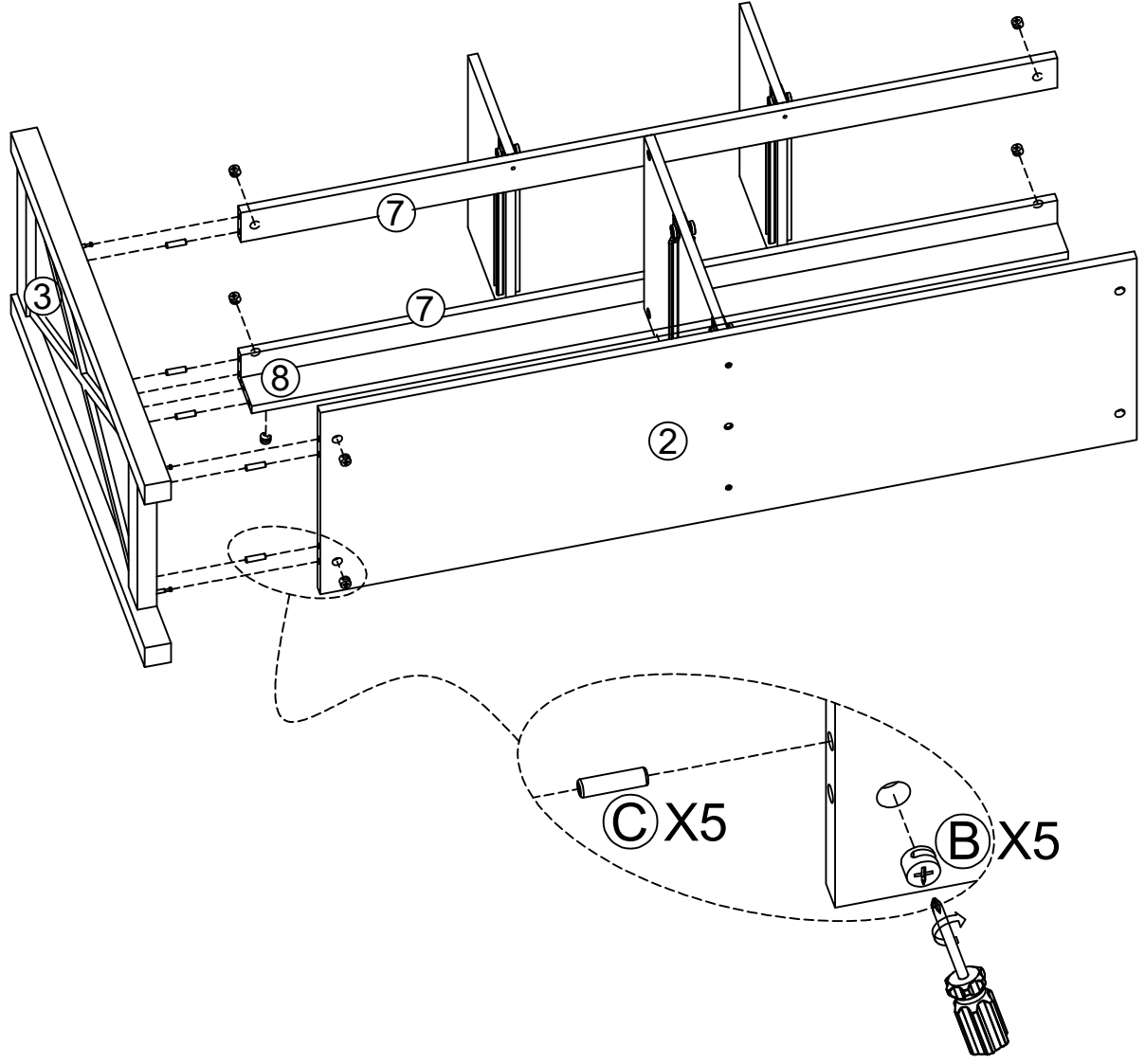
Step 10



- Screw (B) to lock the (2) & (7) & (8) as below shown
- Attach (C) to (2) & (7) & (8) as below shown

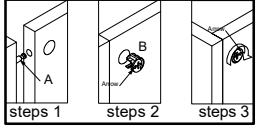
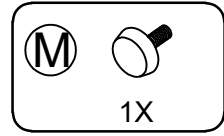
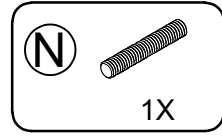
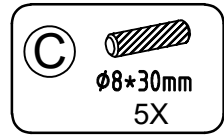
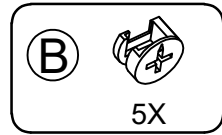


The two boards fit vertically, place (B) and match their holes with (A) then tighten (B) clockwise.

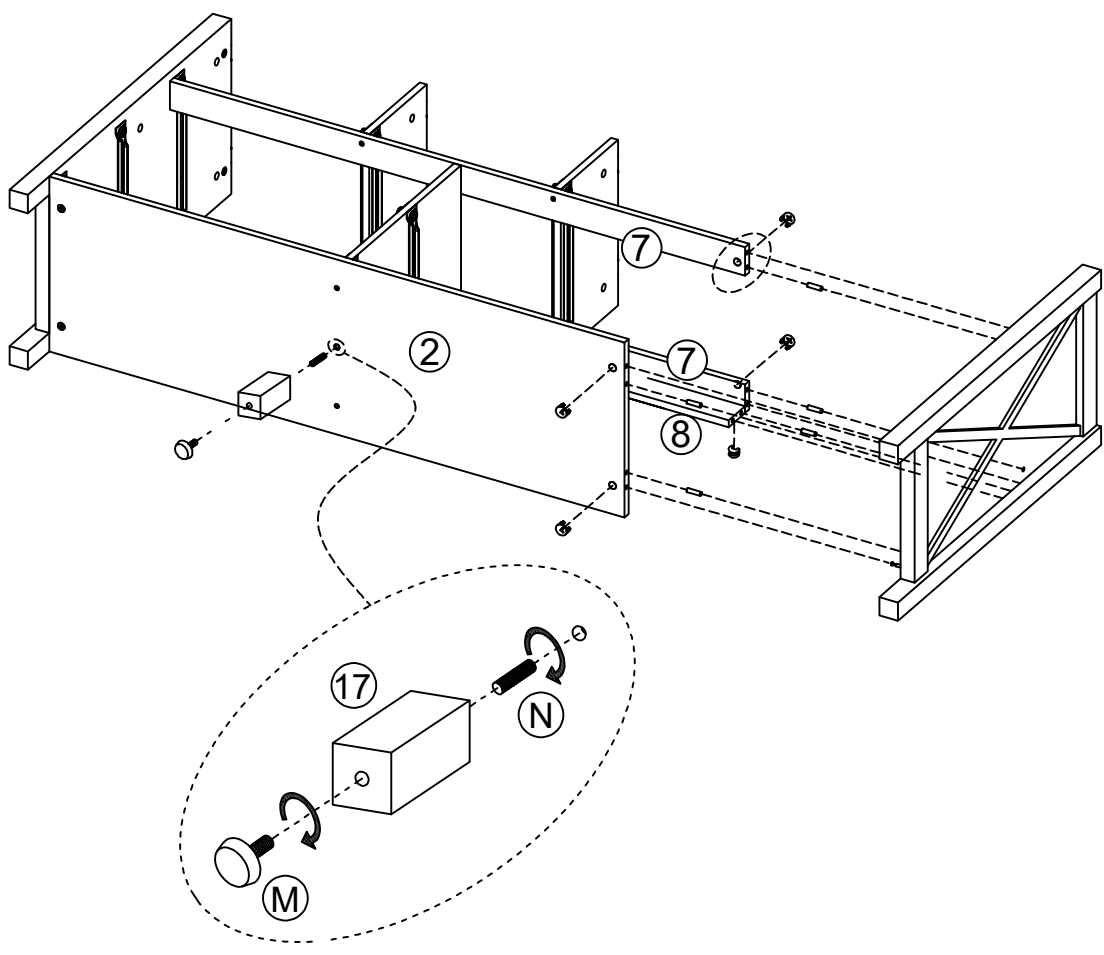
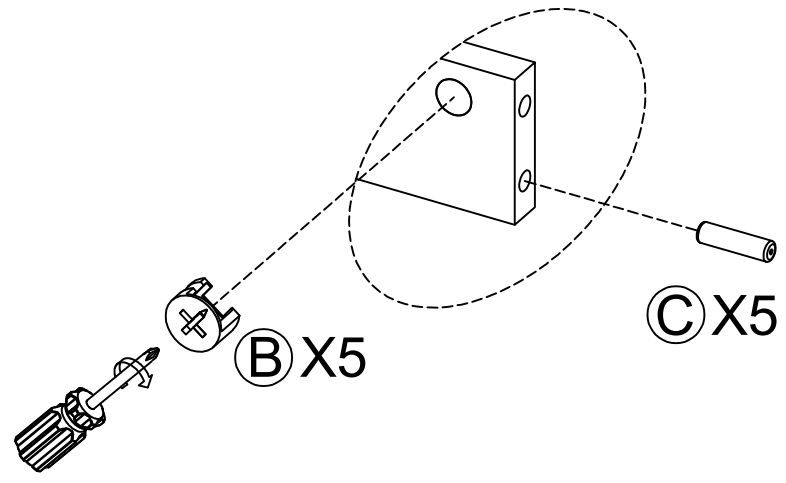


Step 11

- Screw (B) to lock the (2) & (7)&(8) as below shown
- Attach (C) to (2)&(7)&(8) as below shown
- Screw (N) to lock (9) to the (2) as below shown

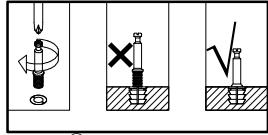
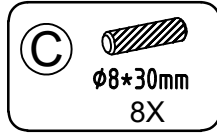
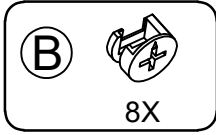
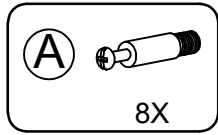


The two boards fit vertically, place (B) and match their holes with (A) then tighten (B) clockwise.

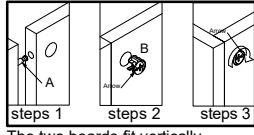


Step 12

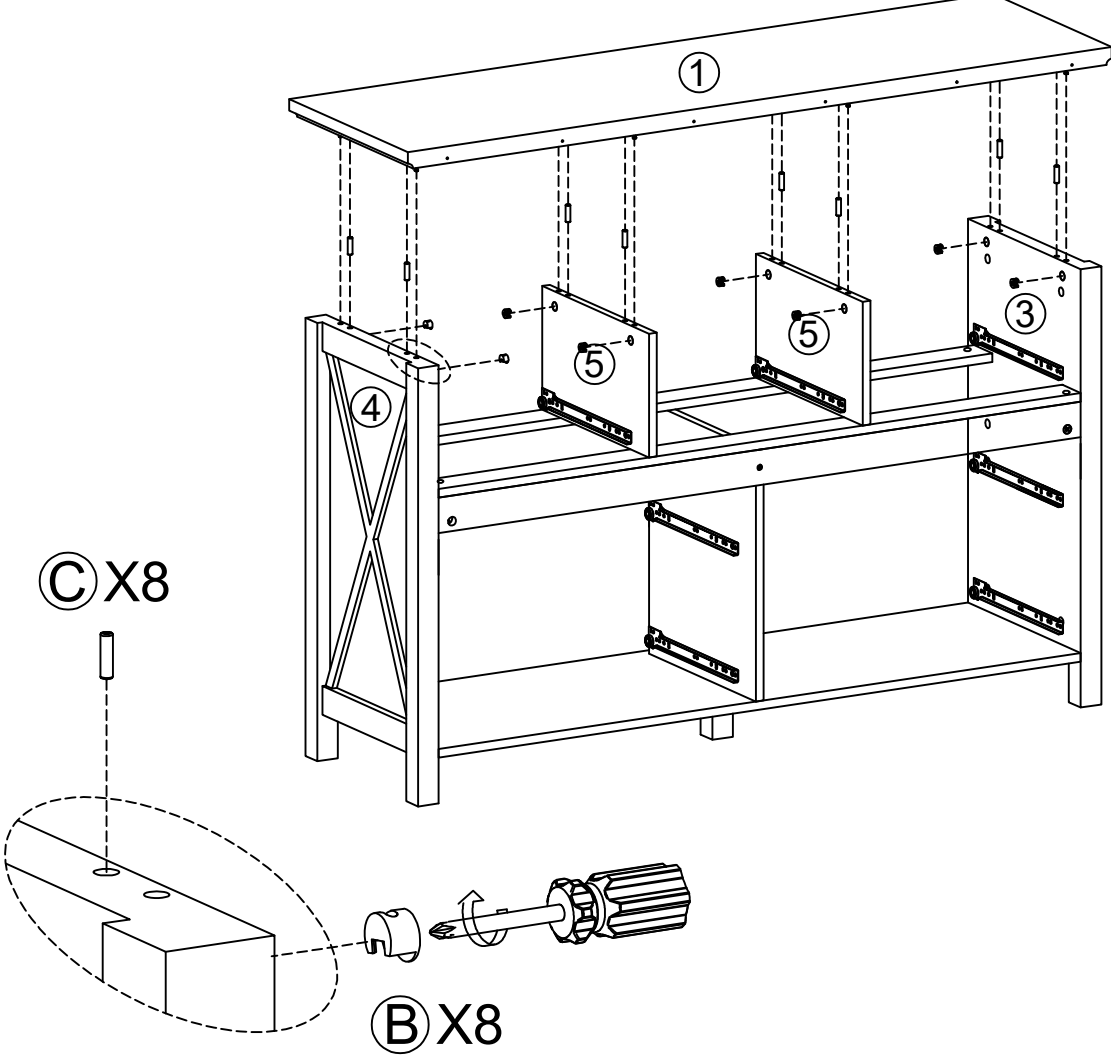
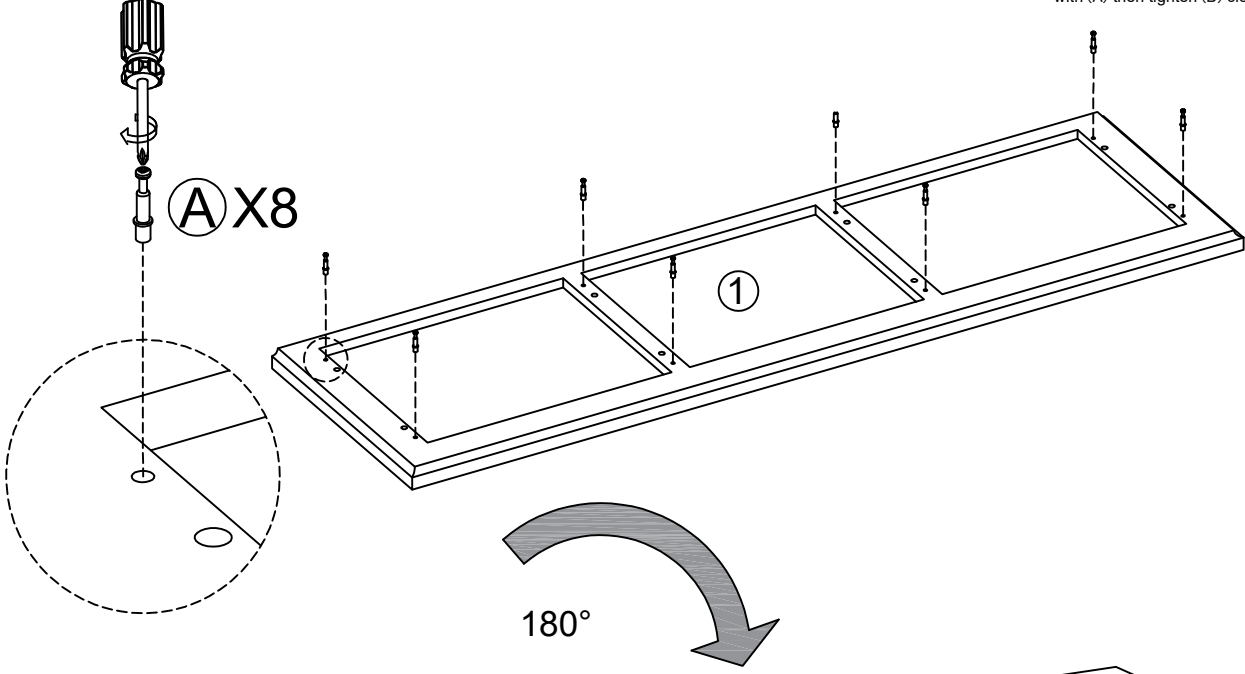
- Screw (A) to (1) as below shown
- Screw (B) to lock the (3) & (4) & (5) as below shown
- Attach (C) to (3) & (4) & (5) as below shown



Tighten (A) clockwise until all of their threads are engaged.



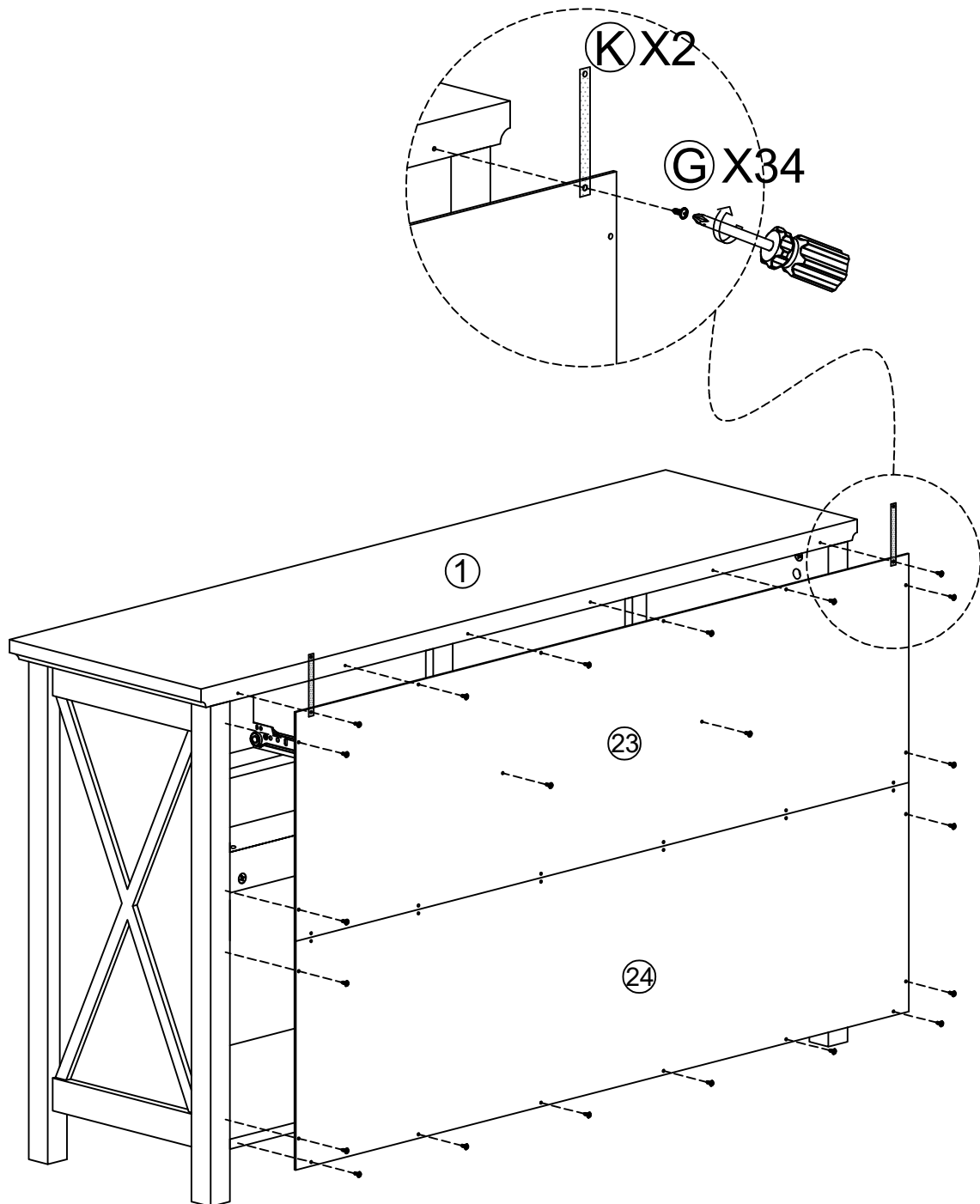
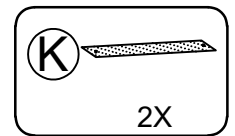
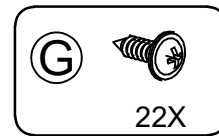
The two boards fit vertically, place (B) and match their holes with (A) then tighten (B) clockwise.



Step 13

-Screw (G) to Back panel (23) as below shown

-Stick (N) to (1) & (23), use (G) locked

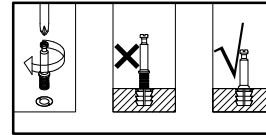
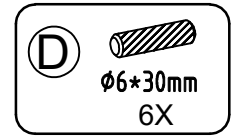
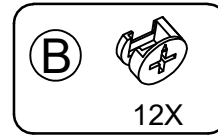
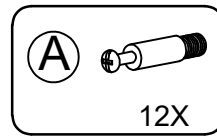


Warm tips: 1 It is recommended to put the product upside down when installing when installing the back panel.

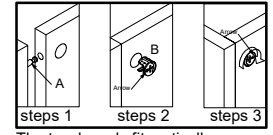
2 It is recommended to attach the back panel (23) at the top panel (1) first.

Step 14

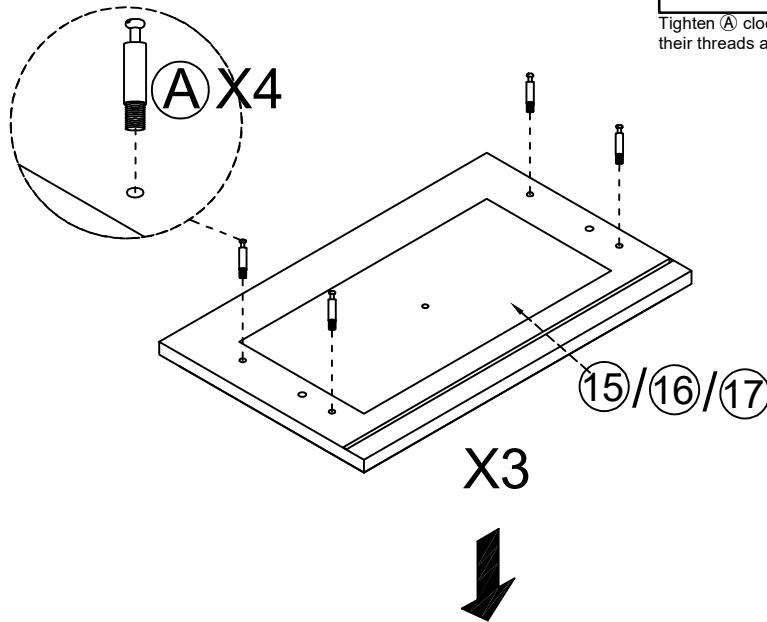
- Screw (A) to (15)&(16)&(17) as below shown
- Attach (D) to (15)&(16)&(17) as below shown
- Screw (B) to lock the (10) & (11) as below shown



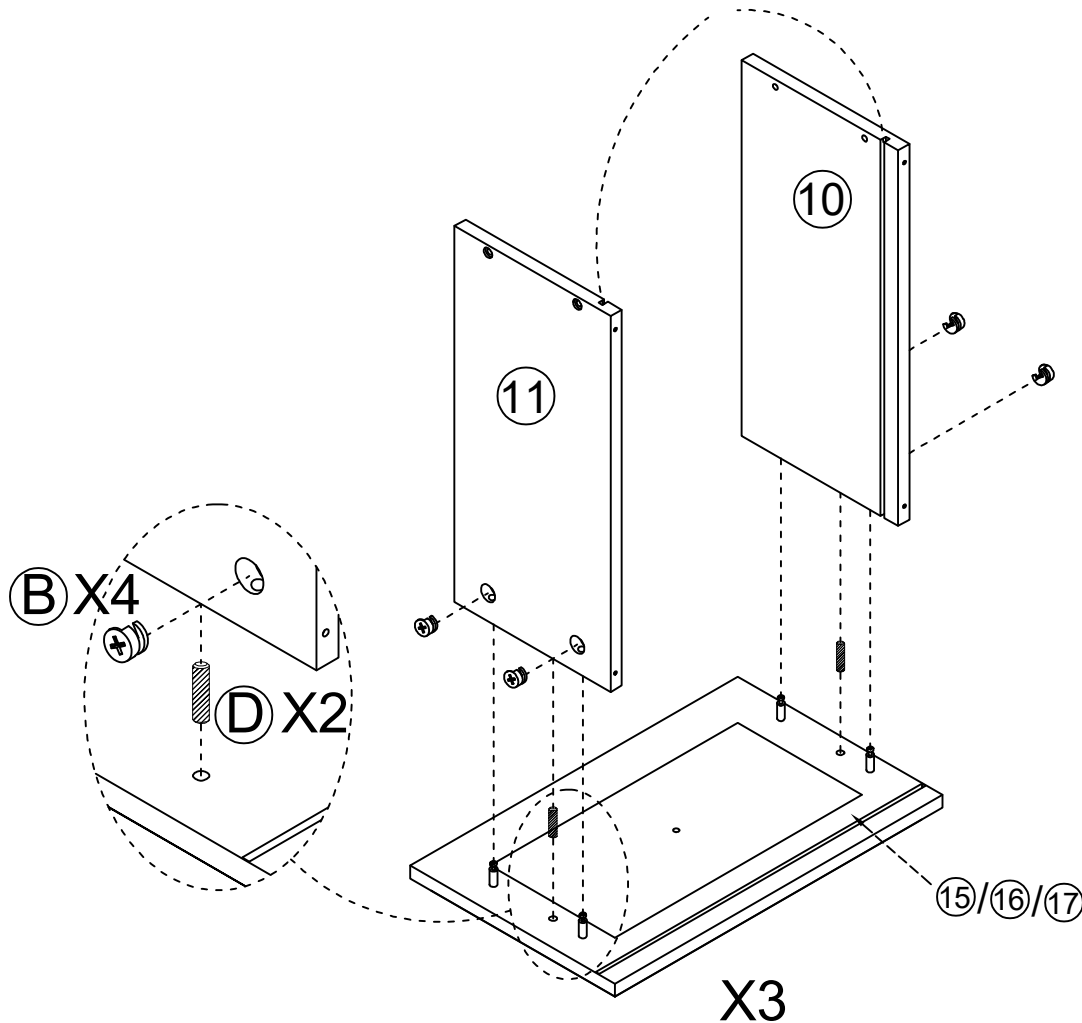
Tighten (A) clockwise until all of their threads are engaged.



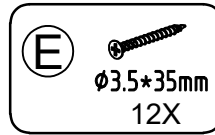
The two boards fit vertically, place (B) and match their holes with (A) then tighten (B) clockwise.



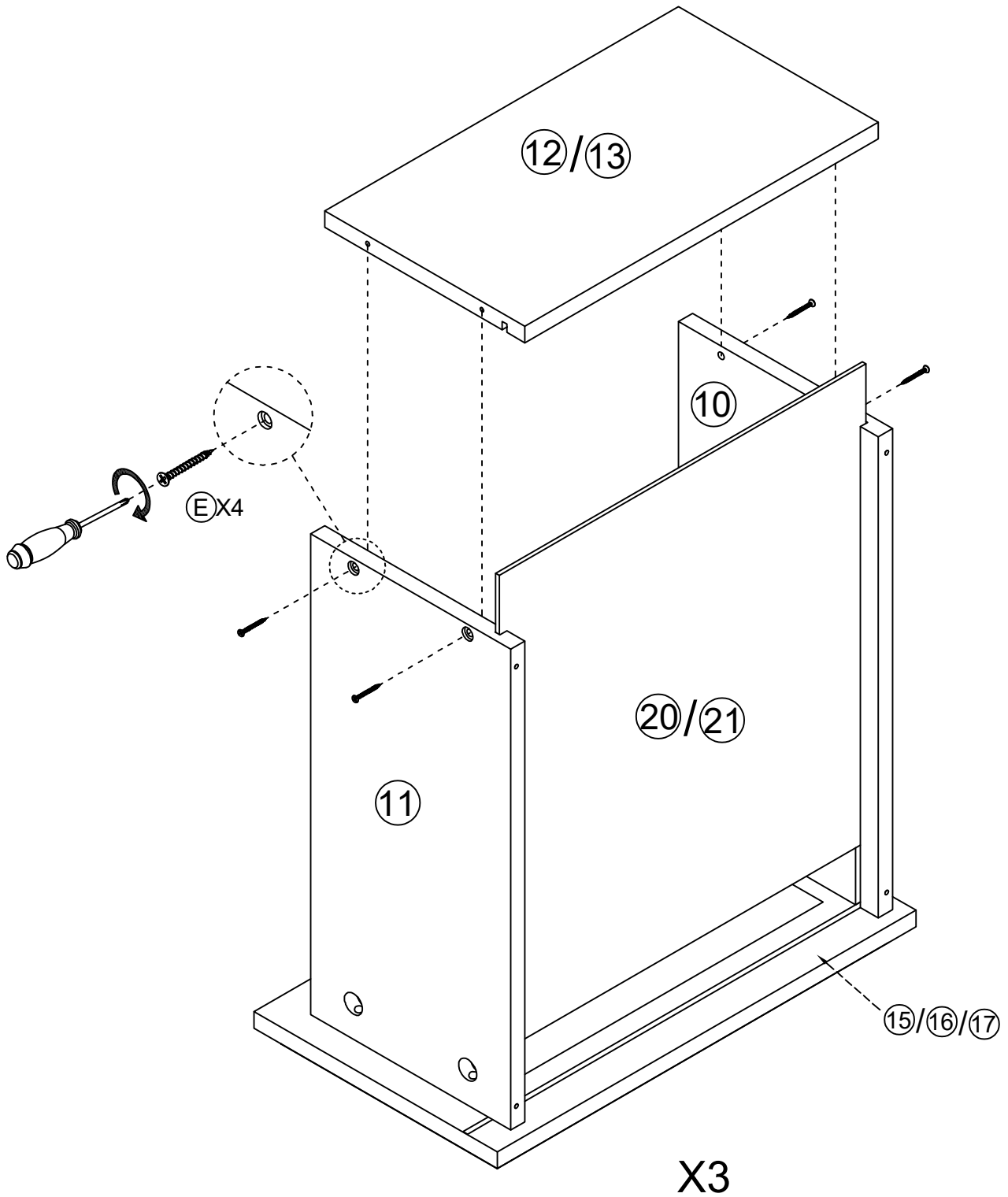
The long groove on the panel is used to install the bottom plate. Please make sure all grooves of these boards are on the same side.



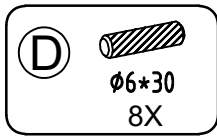
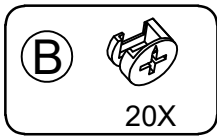
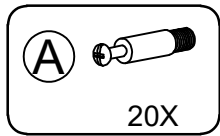
Step 15



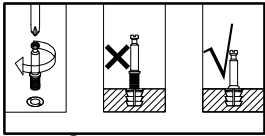
- Attach ⑫&⑬ to ⑩&⑪ as below shown
- Attach ⑳&㉑ to ⑮&⑯&⑰ as below shown
- Screw ④ to attach ⑩&⑪ to ⑫&⑬ as below shown



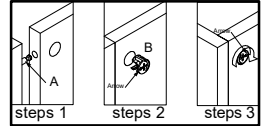
Step 16



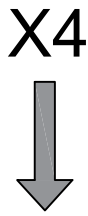
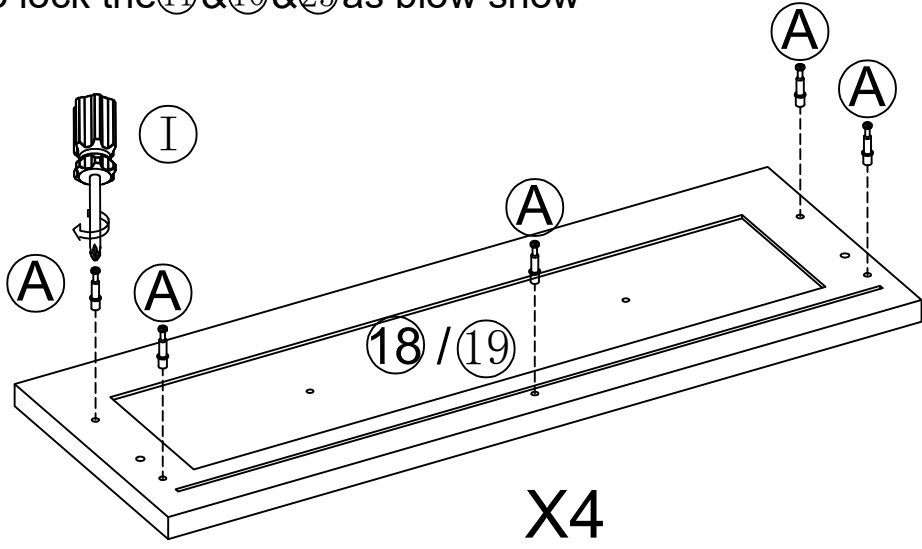
- Screw (A) to (18) & (19) as below shown
- Attach (11) & (10) & (25) to (18) & (19) as below shown
- Screw (B) to lock the (11) & (10) & (25) as blow show



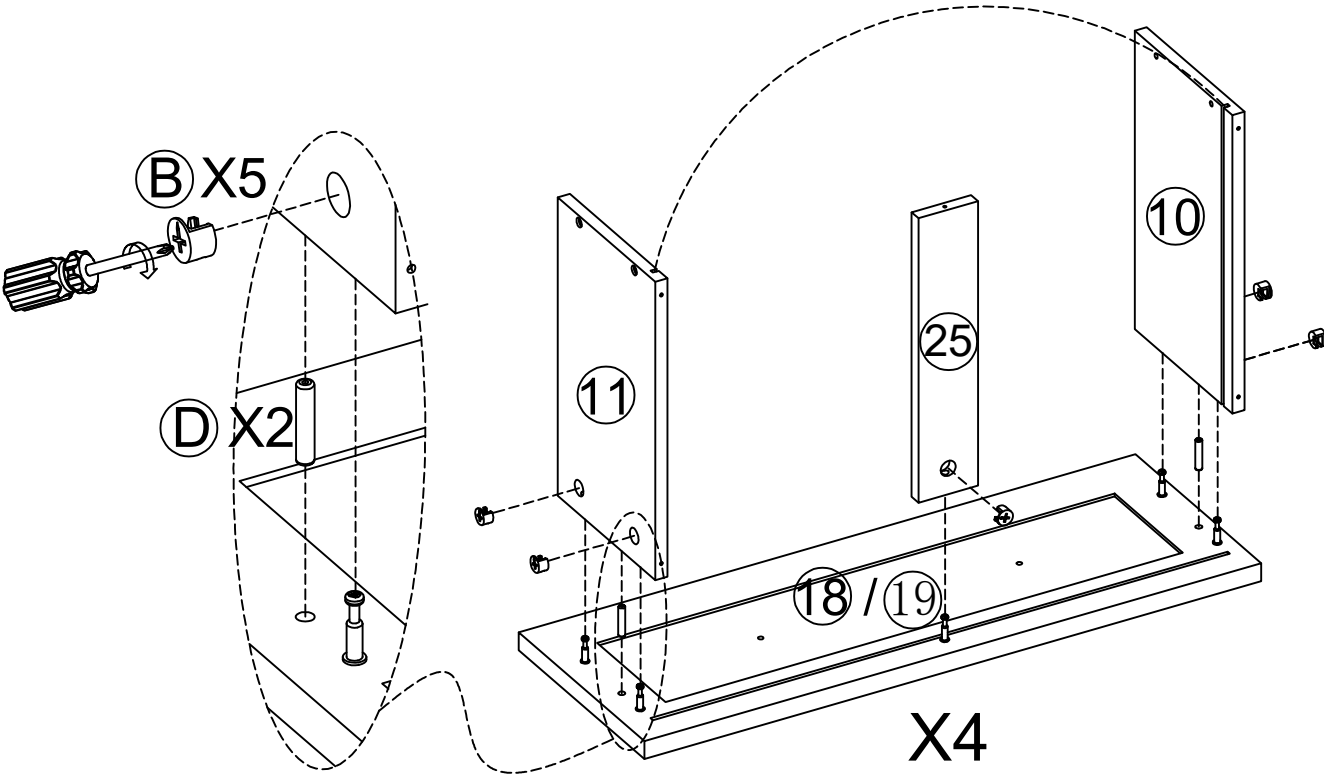
Tighten (A) clockwise until all of their threads are engaged.



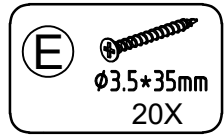
The two boards fit vertically, place (B) and match their holes with (A) then tighten (B) clockwise.



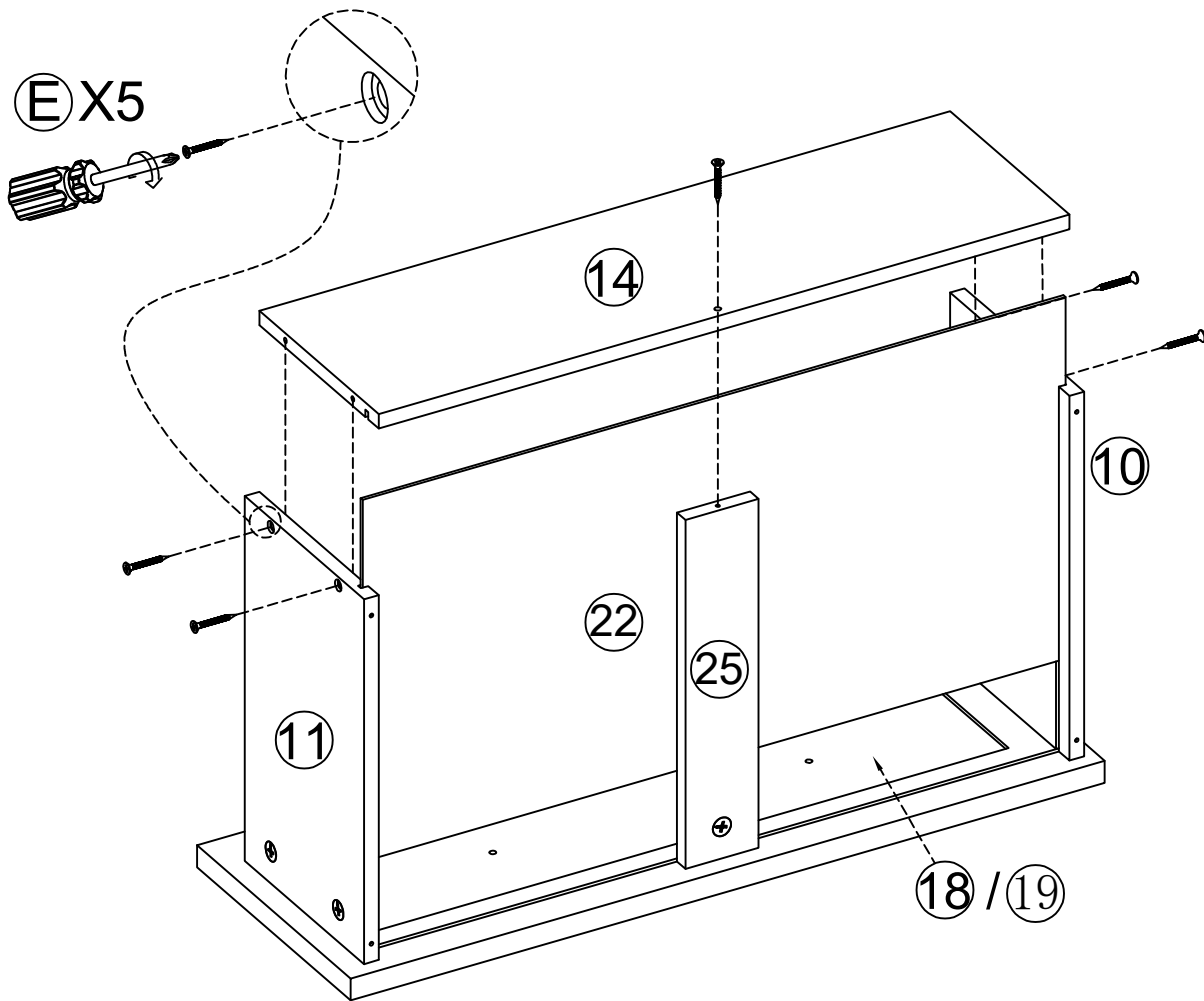
The long groove on the panel is used to install the bottom plate. Please make sure all grooves of these boards are on the same side.



Step 17



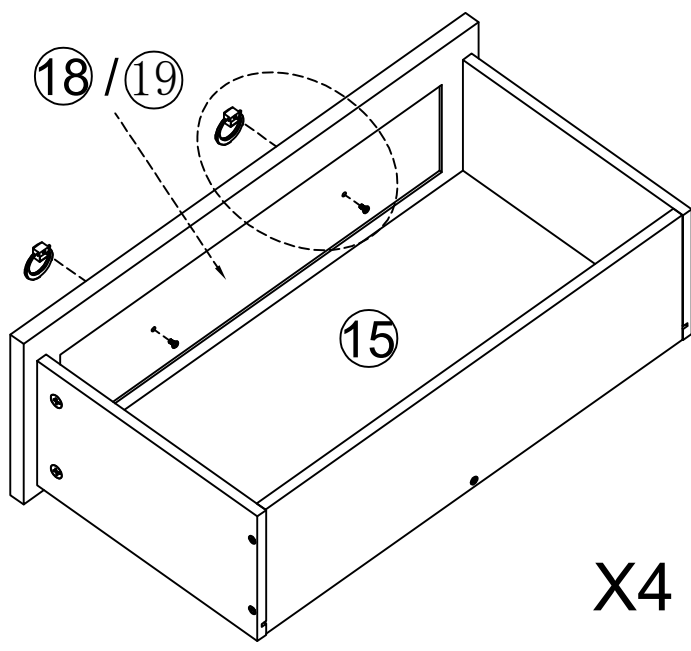
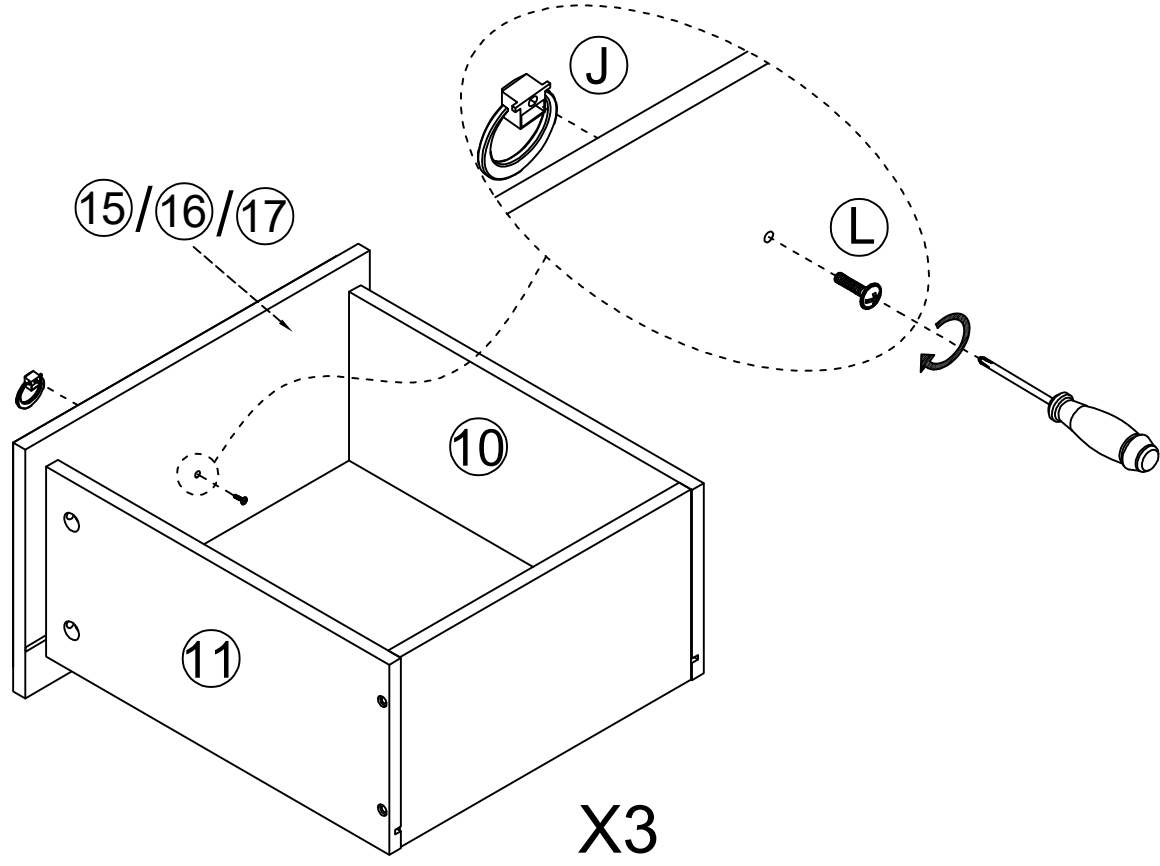
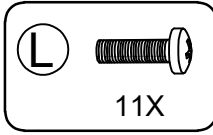
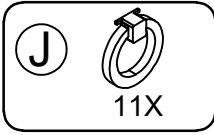
- Attach 14 to 11 & 10 & 25 as below shown
- Attach 22 to 18 & 19 as below shown
- Screw E to attach 10 & 11 to 14 as below shown
- Screw E to attach 14 to 25 as below shown



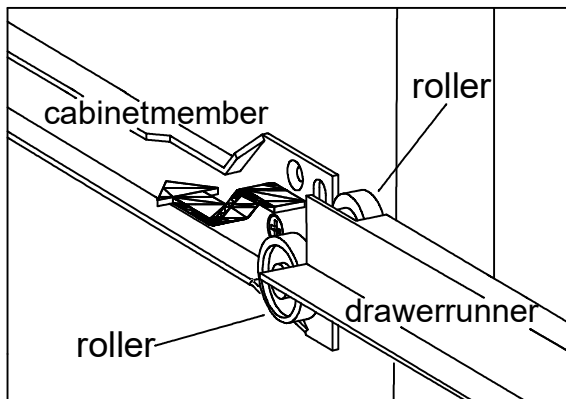
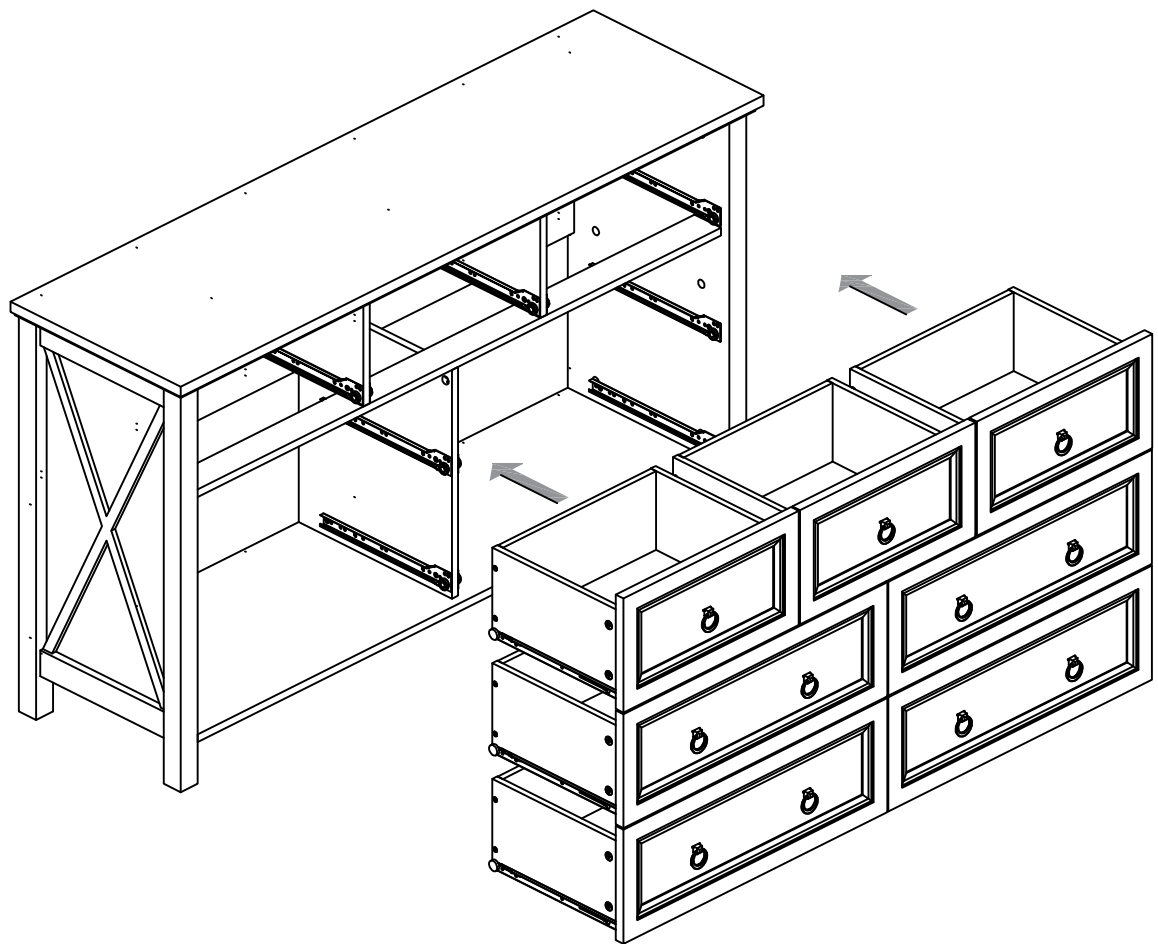
X4

Step 18

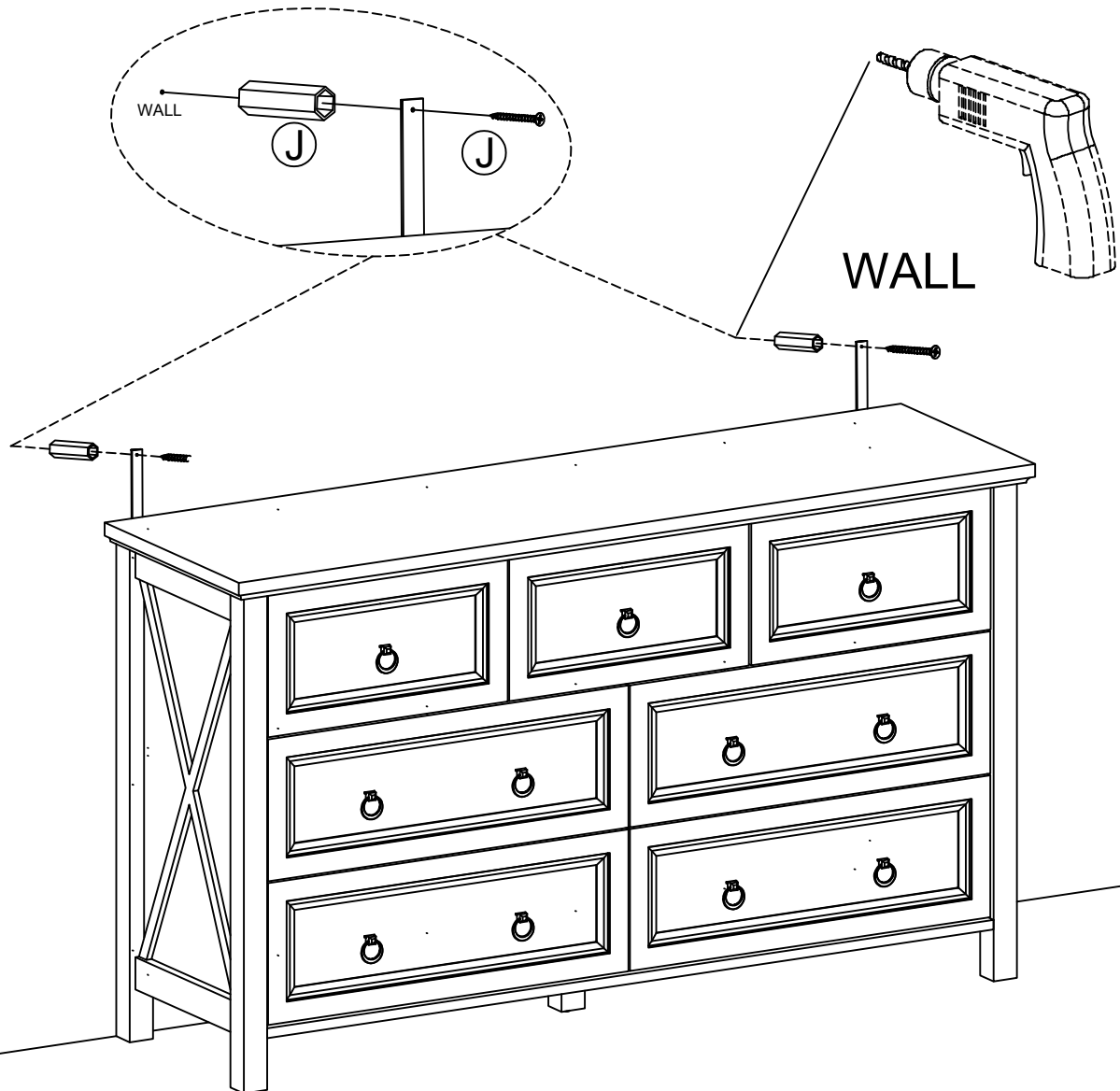
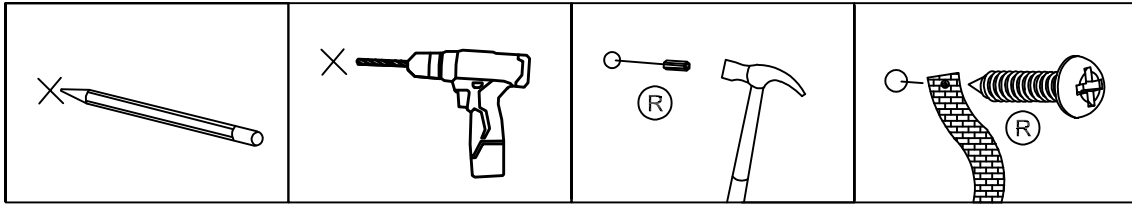
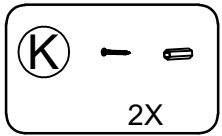
- Screw ① to attach ⑮&⑯&⑰ to ② as below shown
- Screw ① to attach ⑱&⑲ to ② as below shown



Step 20



Step 21



The furniture must permanently be fixed to the wall using the provided anti-tipping device to prevent it from tipping over.

- Mark the drill positions on the wall with a pencil.
- Drill a small hole on the marked positions.
- Insert a wall anchor into the drilled hole.
- Fix the anti-tipping strap to the wall using the provided screws.