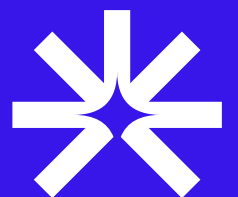


User Manual

Linear Glow Lamp





WWW.OZARKE.COM

Thank you for shopping with Ozarké, we really appreciate your business. Our goal is to provide an excellent customer service before, during and after delivery. We've included a guide on how to install this light, should you require additional assistance please feel free to email us and one of our customer service reps will reach out to assist you.

You can reach us via email at info@ozarke.com or via phone at +1-(800) 604-7271

BEFORE YOU GET STARTED

When working with electrical wiring, follow these safety instructions to prevent injury or damage:

1. Turn off the power: Before starting any work, turn off the power to the area you will be working in.
2. Use appropriate tools: Only use tools designed for electrical work and in good condition.
3. Wear protective gear: Wear safety glasses, gloves, and other protective gear as necessary.
4. Test for power: Use a non-contact voltage tester to check for electrical current before touching any wires.
5. Avoid wet conditions: Do not work with electrical wiring in wet or damp conditions.
6. Keep a safe distance: Stay away from exposed wires or electrical components.
7. Seek professional help: Consult a qualified electrician if you are unsure about any aspect of electrical wiring or encounter any problems.

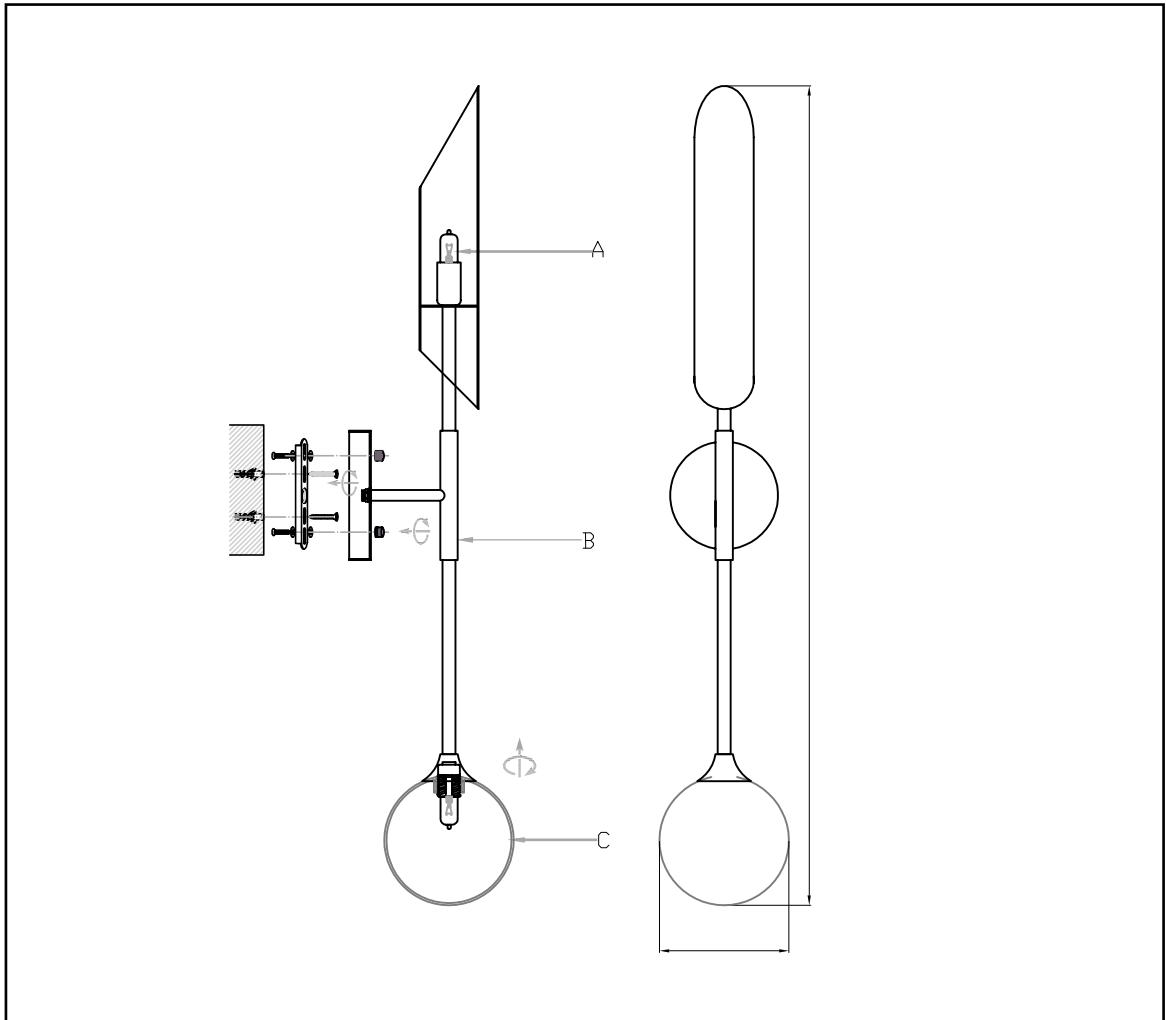


WARNING!

1. Do not use the power supply beyond the specified range (100-240V).
2. Avoid scratching the surface and wires of the light during installation.
3. Do not install the light outdoors.
4. The light should not be close to corrosive chemical objects or gases.
5. It should not be washed with water. It can only be wiped with a clean soft cloth.



Installation Instructions



The installation shall be performed by a qualified electrician only.

1. Voltage/Frequency: 220V 60Hz.
2. Please wear gloves when installing.
3. Do not install it on a moist ceiling.
4. Turn off the power before clearing out or changing bulbs.
5. Please wash with a sanitizing agent without corrosiveness.
6. Please install according to the installation manual.
7. If the external flexible cable or cord of this luminaire is damaged, it shall be exclusively replaced by the manufacturer, their service agent, or a similar qualified person to avoid hazards.
8. You cannot use water to clean the lamp, only a soft cloth.
9. For indoor use only.
10. Safety under regular use. Precautions: Keep the lighting away from acidic chemical solvents, or the galvanized surface of the lighting will be damaged.

