

PRE ASSEMBLY INTRODUCTION

We understand building ready-to-assemble furniture can be a challenging experience for some. To help avoid confusion, we have provided some helpful tips that may speed up the process.



Teamwork

ALWAYS have at least two people to help with transporting and assembling the product to avoid potential injury and/or damage.



Suitable Location

Assembling near the area of the intended location is highly recommended.



Sufficient Space

Make sure you have enough space to move around during the assembly.



Avoid Scratches

Use cardboard, blankets or a carpeted area while assembling furniture to prevent scratches.



Flat Surface

Make sure the furniture rests on a flat and level surface with each leg evenly touching the floor.

ASSEMBLY AND CARE ADVICE



FAILURE TO FOLLOW THE GUIDELINES BELOW MAY
RESULT IN INJURY AND/OR PROPERTY DAMAGE.



Position each part correctly
and insert screws or bolts into
their respective holes.



Turn clockwise to tighten and
only tighten when step is
completed or when instructed
to do so.



Use the appropriate hand tools
or power tools for assembly.
Select steps, such as tightening
screws and/or bolts, may require
hand tools to avoid causing
damage during assembly.



Save the instructions and store
any supplied tools for later
maintenance.



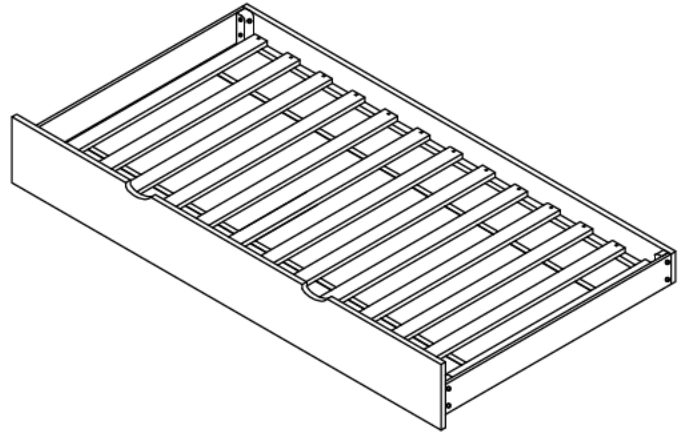
After two weeks, check and
tighten any loose hardware and
repeat again every six months
thereafter.

IT IS THE USER'S RESPONSIBILITY TO MAINTAIN THE FURNITURE. THE HARDWARE MAY LOOSEN OVER TIME AND MAY CAUSE THE FURNITURE TO BE WOBBLY AND UNABLE TO SUPPORT ITS INTENDED WEIGHT CAPACITY. THIS MAY LEAD TO COLLAPSE AND MAY CAUSE SERIOUS INJURY.

DAYBED

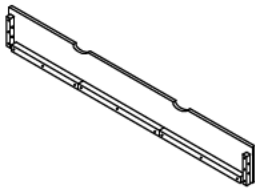


- Please keep instructions for future reference.
- Check the quantity and irregularity of parts and hardware before you start.



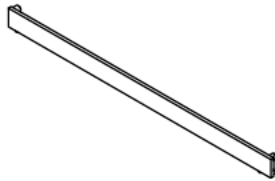
PARTS

#1 1pc



Front Panel

#2 1pc



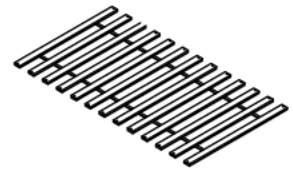
Back Panel

#3 2pcs



Left/Right
Side Panel

#4 1set



Slats (13pcs)

HARDWARE

#A 8pcs



Bolt
Ø1/4" x 1-3/8"

#B 8pcs



Washers
Ø1/4"

#C 26pcs



Screw
#4 x 30mm

#D 8pcs



Screw
#4 x 20mm

#E 4pcs



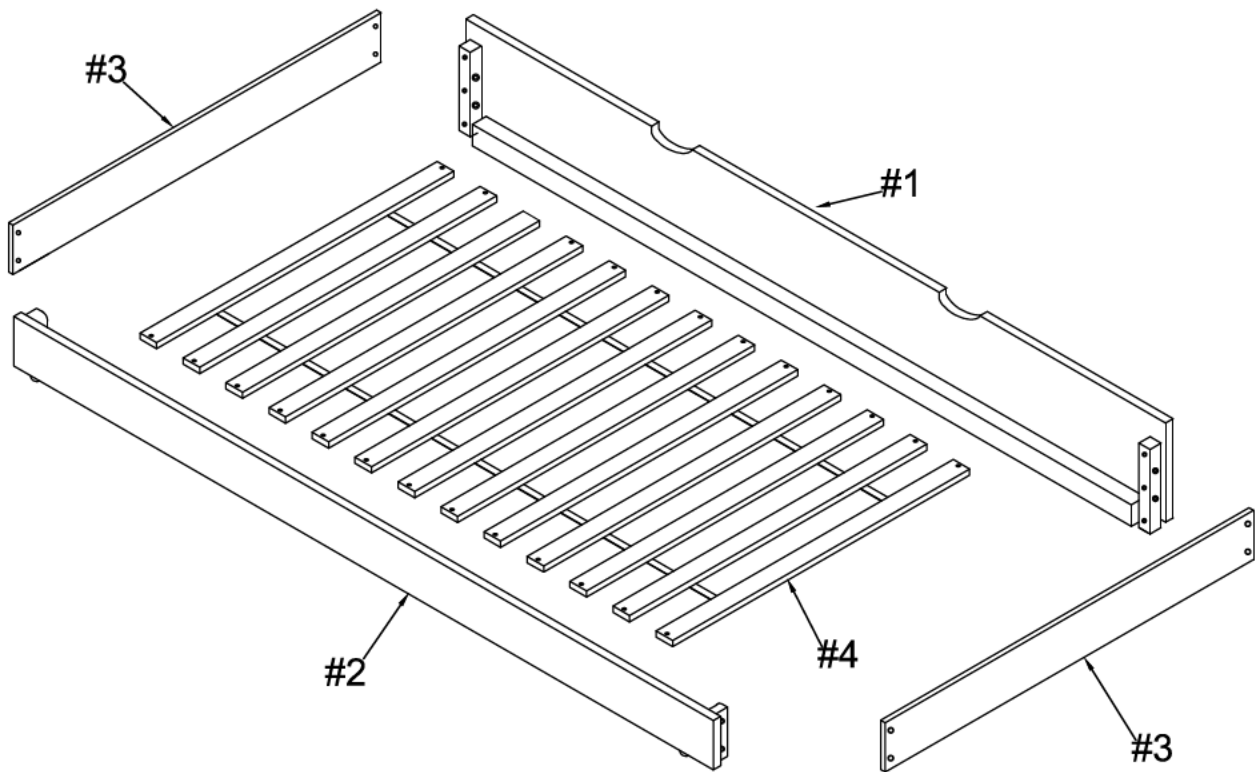
Wheel

#F 1pc



Allen Wrench 4mm

Exploded View

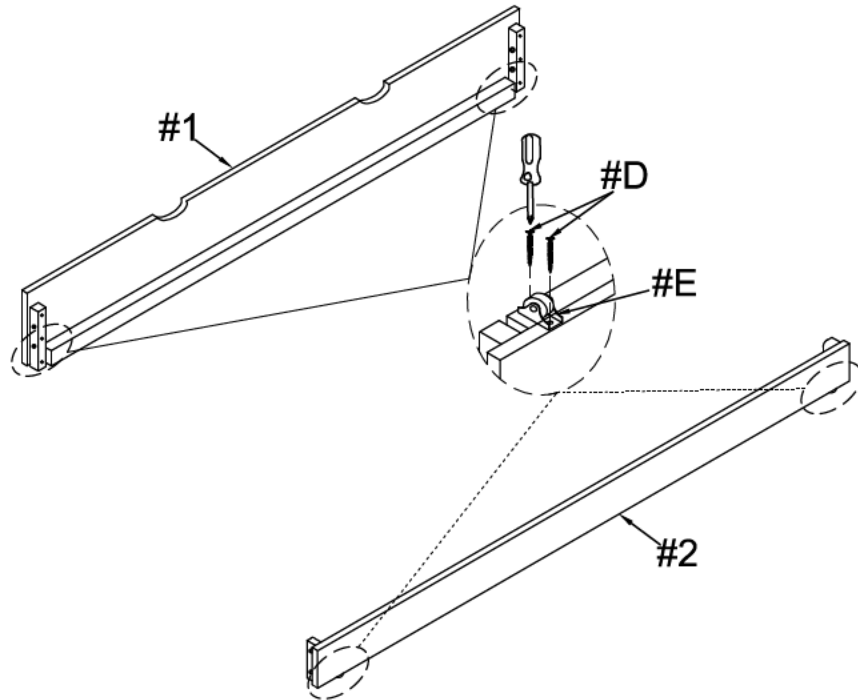


ASSEMBLY INSTRUCTIONS

Align wheels (#E) to the bottom of the front and back panels (#1,2).
Secure by using screws (#D). There will be no pre-drilled holes.

1

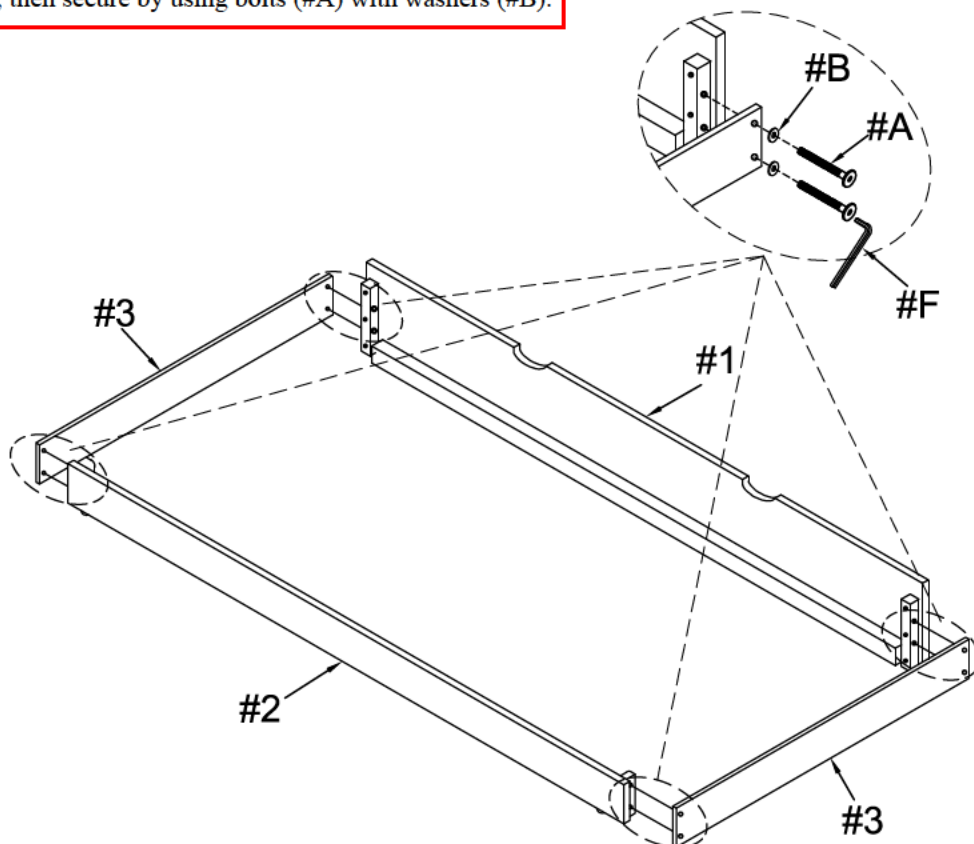
- Part #1 x1pc
- Part #2 x1pc
- Hardware #D x8pcs
- Hardware #E x4pcs



2

Align the side panels (#3) to the front and back panels (#1,2), then secure by using bolts (#A) with washers (#B).

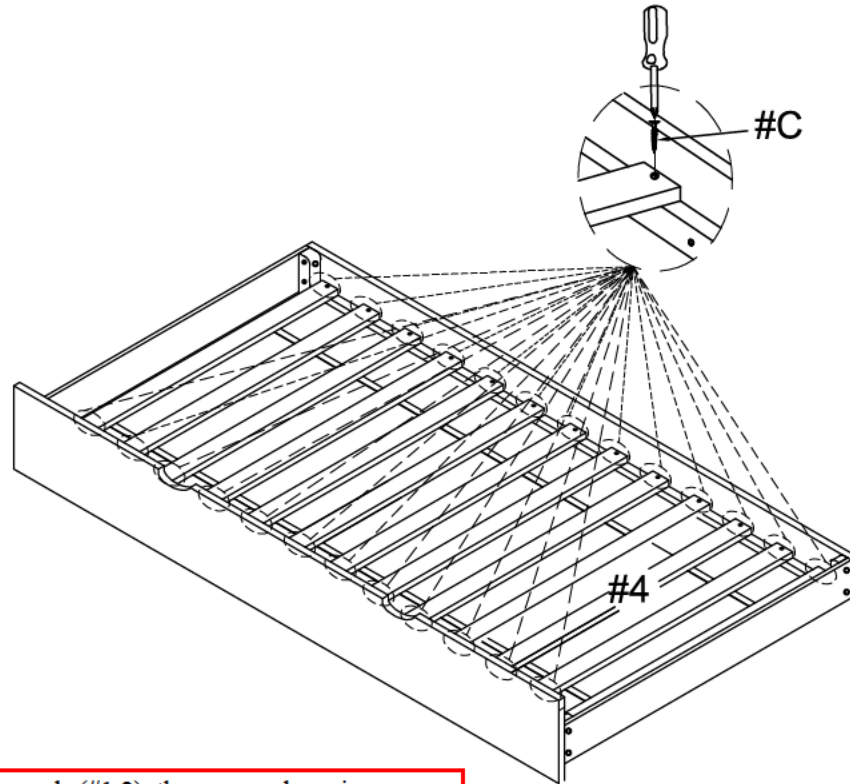
- Part #1 x 1pc
- Part #2 x 1pc
- Part #3 x 2pcs
- Hardware #A x8pcs
- Hardware #B x8pcs



ASSEMBLY INSTRUCTIONS

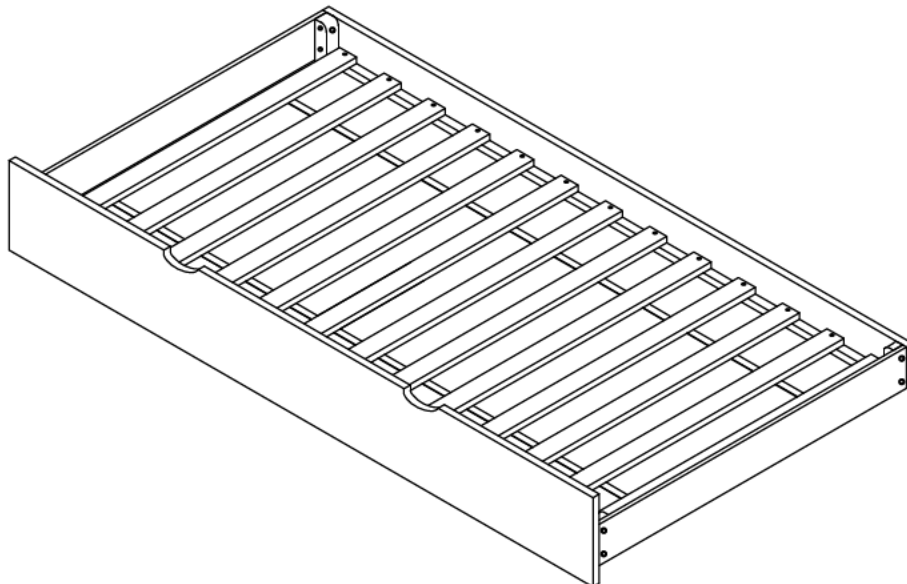
3

Part #4 x 1set
Hardware #C x 26pcs



Align slats (#4) to the front and back panels (#1,2), then secure by using screws (#C). There will be no pre-drilled holes.

4



ASSEMBLY COMPLETED



Please ensure the furniture rests on an even and flat surface. If the product wobbles or feels loose, double-check all bolts and/or screws are properly tightened and secured.

Keep this handy!

Please retain this instruction manual and any order-related information for future reference.

Lift, don't drag!

To avoid damage to product please always LIFT the product when transporting or adjusting the placement.