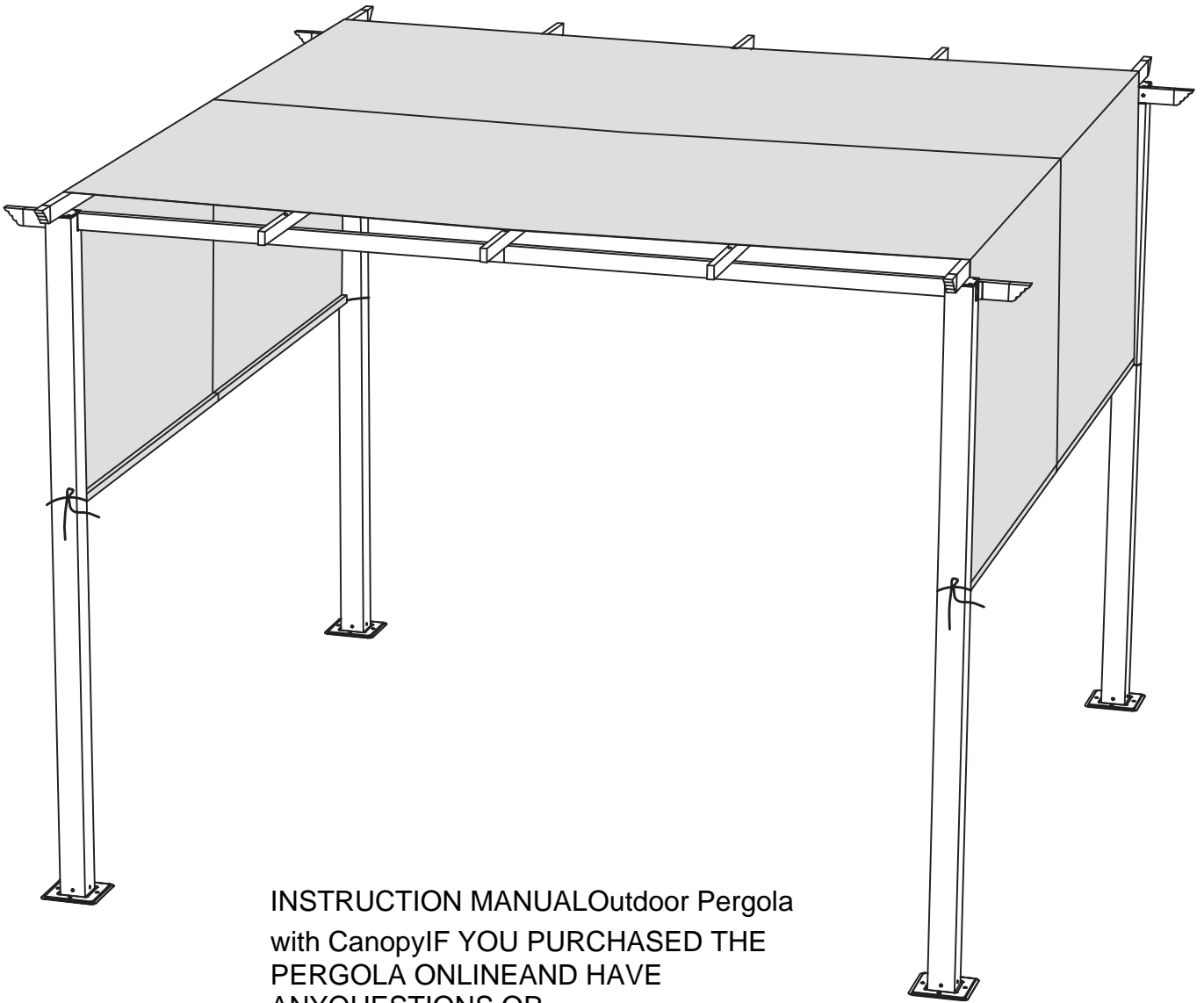


10'x10' Flat Top Pergola

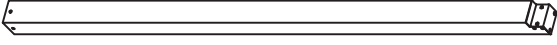
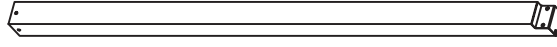
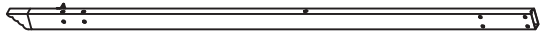
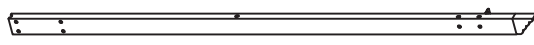

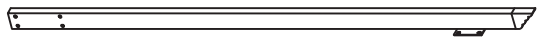

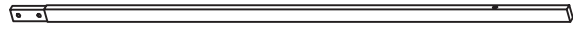


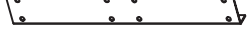

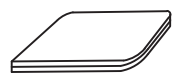
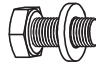
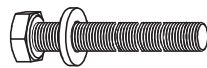
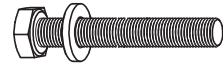
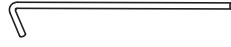
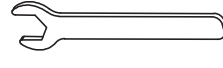


INSTRUCTION MANUAL Outdoor Pergola
with Canopy IF YOU PURCHASED THE
PERGOLA ONLINE AND HAVE
ANY QUESTIONS OR
CONCERNS PLEASE CONTACT US
WITH EMAIL OR TEXT
Email: hiwarrantyservice@outlook.com
TEXT: +1 628-263-4608

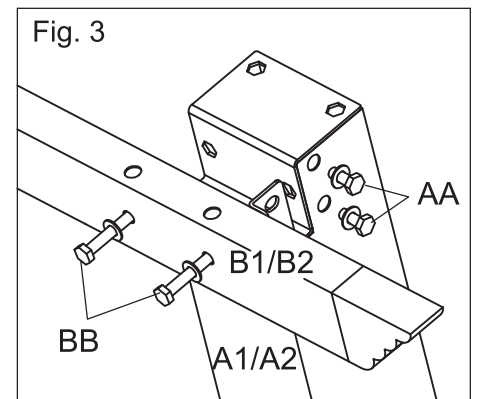
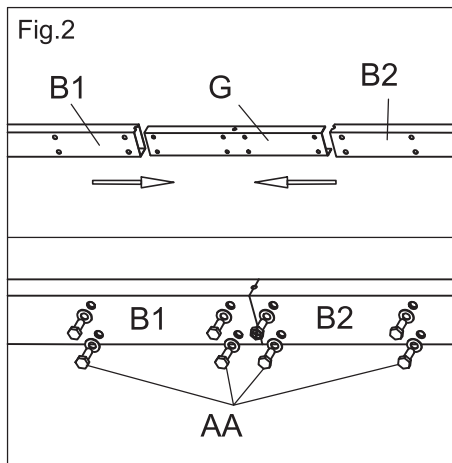
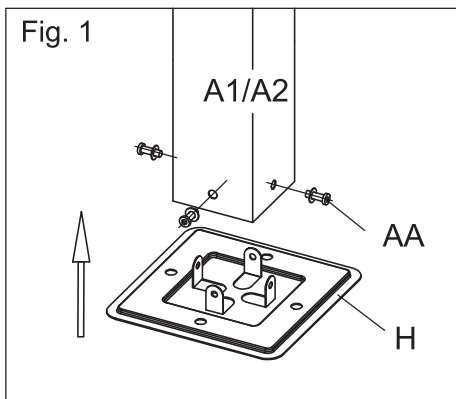
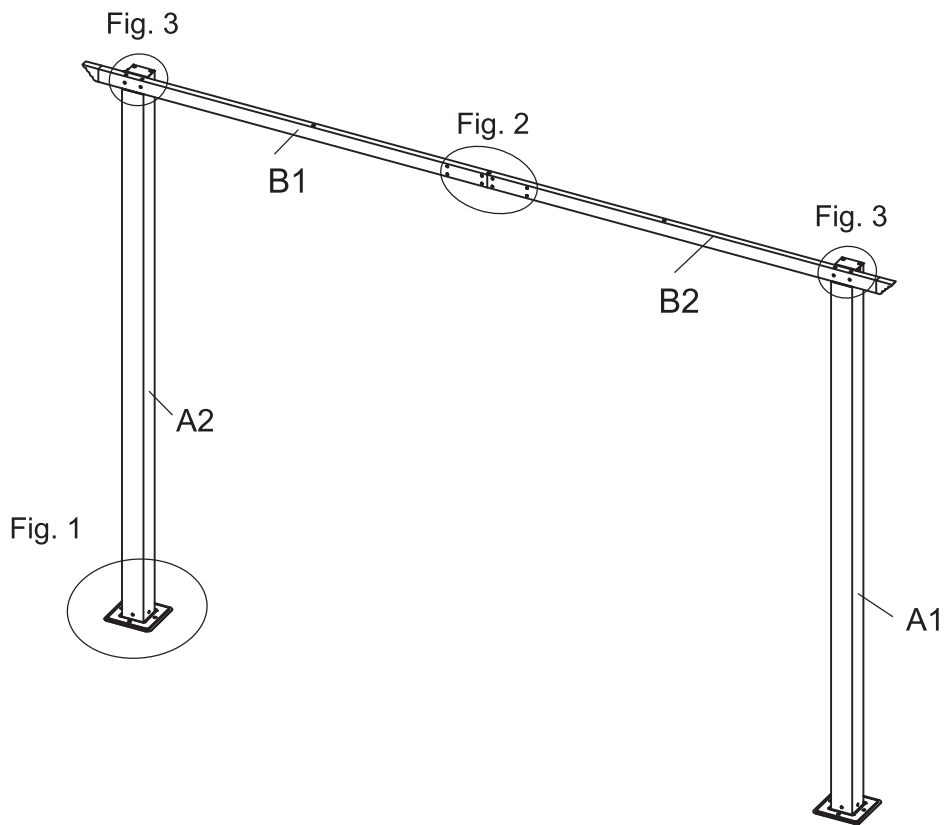
WARNING:

- Fabric meets CPAI-84 specification for flame resistance. It is Not Fire Proof. The fabric will burn if left in continuous contact with any flame source. The application of any harsh chemicals to the fabric may render the flame-resistant properties ineffective.
- Always read and follow the instructions before use. When assembling and using this product, basic safety precautions must always be followed to reduce risk of personal injury and damage to the product or surroundings.
- Be sure to keep all children and pets away from assembly area. Some parts contain sharp edges. Wear protective gloves when handling these items. It is recommended that, for safety issues, at least 2 people assemble the pergola. It may take to 90 minutes to assemble this pergola.
- It is important to schedule enough time to complete the assembly. You should not leave the unit unattended if it is not fully assembled, even if it is already anchored to the ground. You should begin the assembly no less than 6 feet from any permanent structures such as fences, a garage, a house, overhanging branches, electrical wires or laundry lines. You must assemble your unit on level ground or a platform.
- The unit must be anchored to the ground with proper anchors. Failure to do so may risk it blowing away.
- Check that all screws are tight before and during usage. Do not place any type of heat conductor or source under, or within 5 feet of the unit including, but not limited to, a barbeque or space heater.
- The pergola is designed to provide shade only. Do not use this pergola in strong wind and rain. Wind and rain can damage the pergola and could result in injury to you and others. It is recommended that the Canopy be removed during strong winds and stormy conditions.
- Check all available parts. Before assembling the pergola, check to make sure you have all the parts listed in the Parts List.

PARTS LIST

	Description	Sketch	QTY
A1	Post		2 pcs
A2	Post		2 pcs
B1	Roof Tube Curved		2 pcs
B2	Roof Tube Curved		2 pcs
C1	Lintel		2 pcs
C2	Lintel		2 pcs
D1	Roof Tube		3 pcs
D2	Roof Tube		3 pcs
E1	Weight Bar		2 pcs
E2	Weight Bar		2 pcs
G	Connector Tube		4 pcs
H	Base Plate		4 pcs
K	Shade Fabric		1 pc
AA	Bolt		78 pcs
BB	Bolt		8 pcs
CC	Bolt		6 pcs
DD	Anchor		8 pcs
EE	Wrench		2 pcs

STEP 1



- Fig.1: Using Bolt (AA) to connect Post (A1 & A2) and Base Plate (H). Repeat each step for A1/A2.
- Fig.2: Insert Connector Tube (G) to Roof Tube Curved (B1 & B2), make sure the holes are aligned. Using Bolt (AA) to connect Connector Tube (G) and Roof Tube Curved (B1 & B2).
- Fig.3: Using Bolt (AA) and Bolt (BB) to connect Roof Tube Curved (B2) and Post (A2), Using Bolt (AA) and Bolt (BB) to connect Roof Tube Curved (B1) and Post (A1).

STEP 2

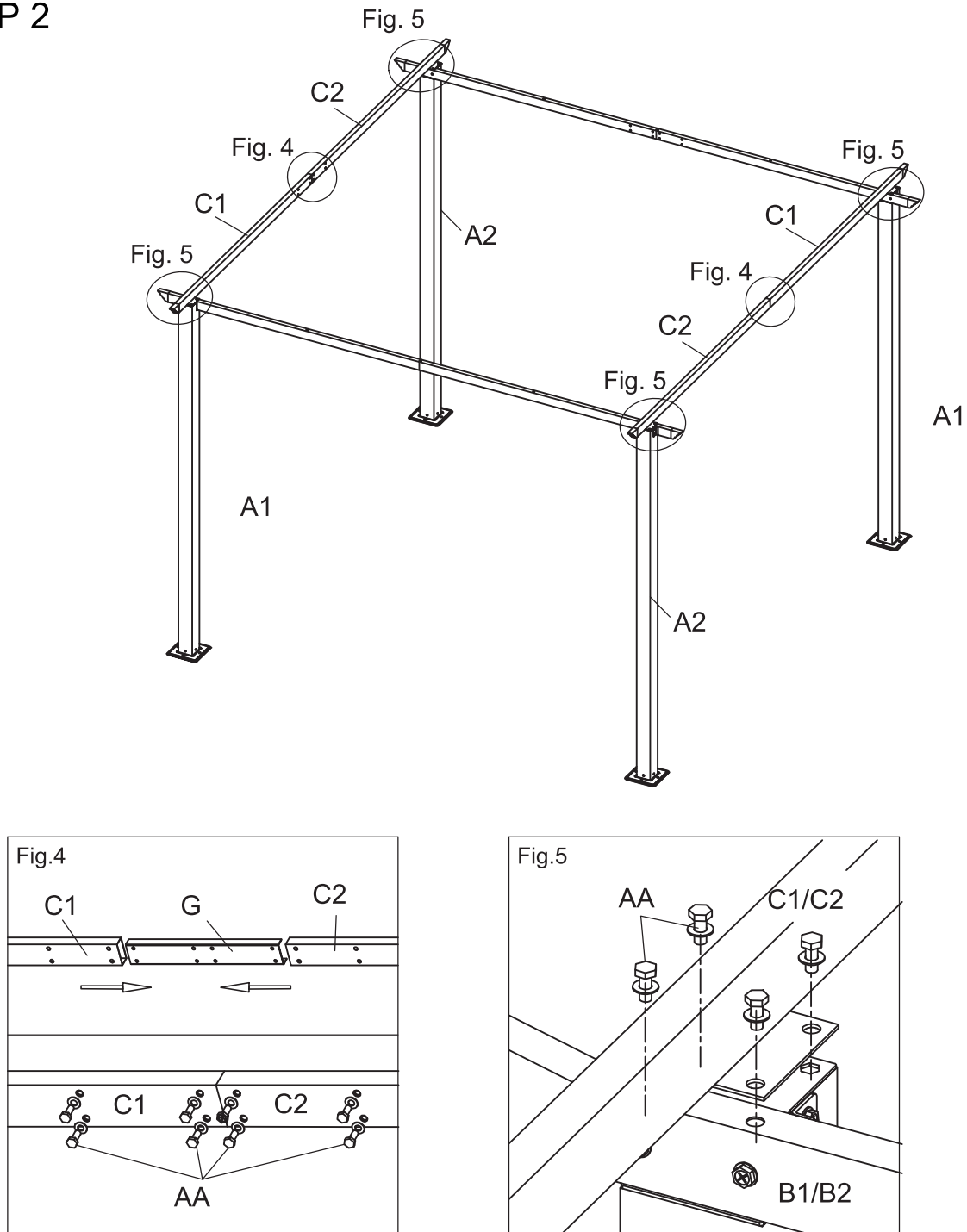


Fig.4: Insert Connector Tube (G) to Lintel (C1) and Lintel (C2), make sure the holes are aligned. Then use Bolt (AA) to connect Lintel (C1), Lintel (C2) and Connector Tube (G).

Fig.5: Using Bolt (AA) to connect Lintel (C1) and Roof Tube Curved (B1). Using Bolt (AA) to connect Lintel (C2) and Roof Tube Curved (B2).

STEP 3

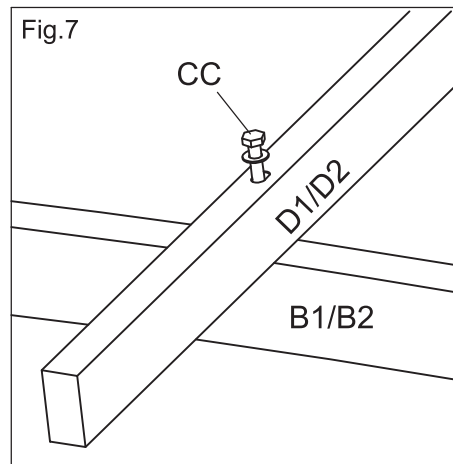
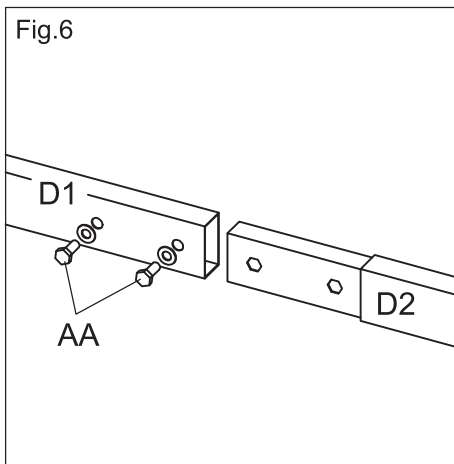
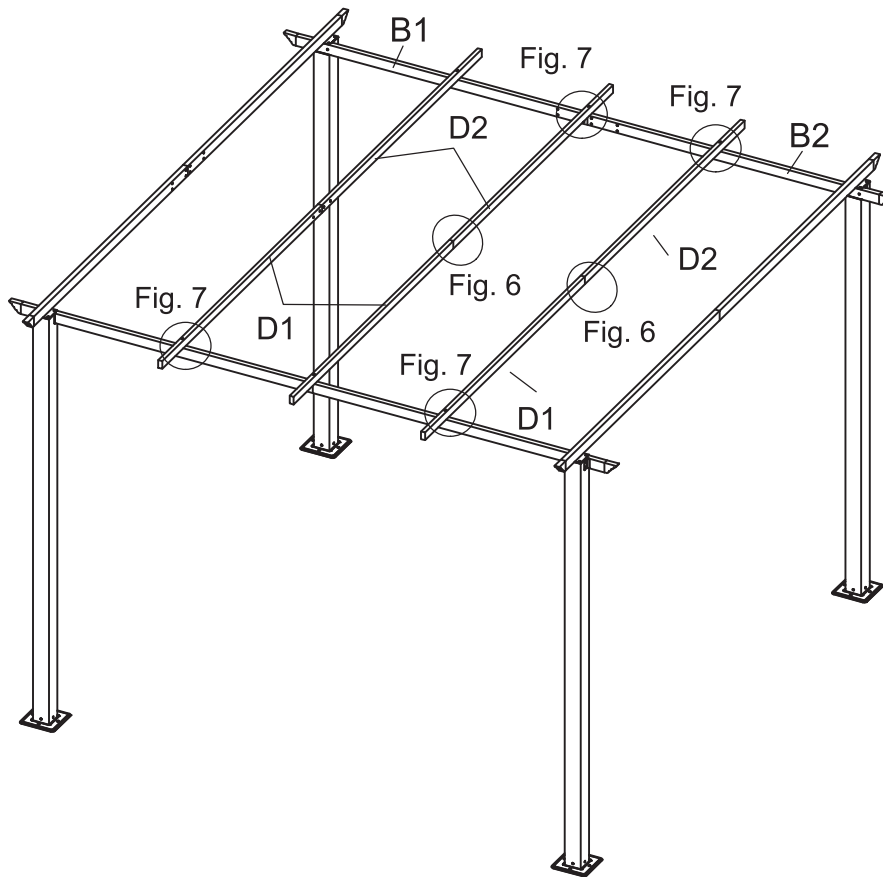
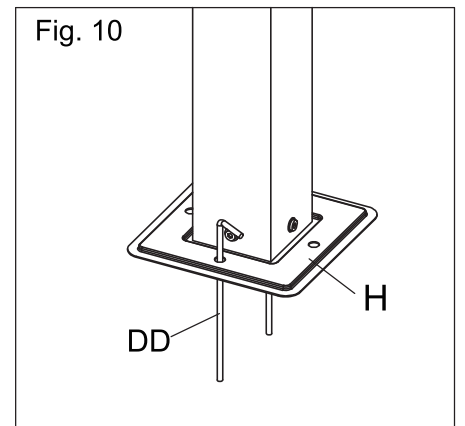
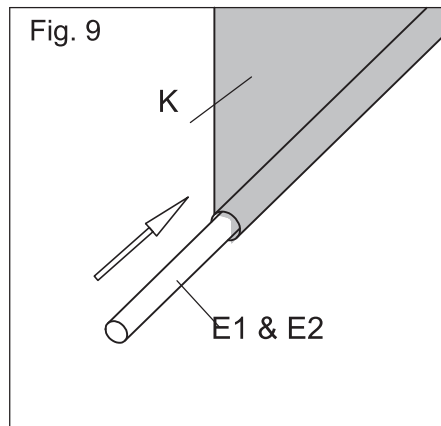
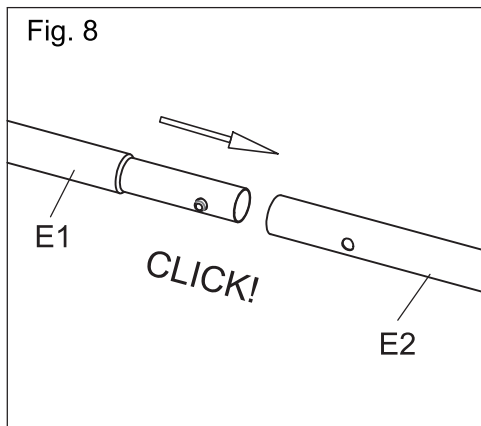
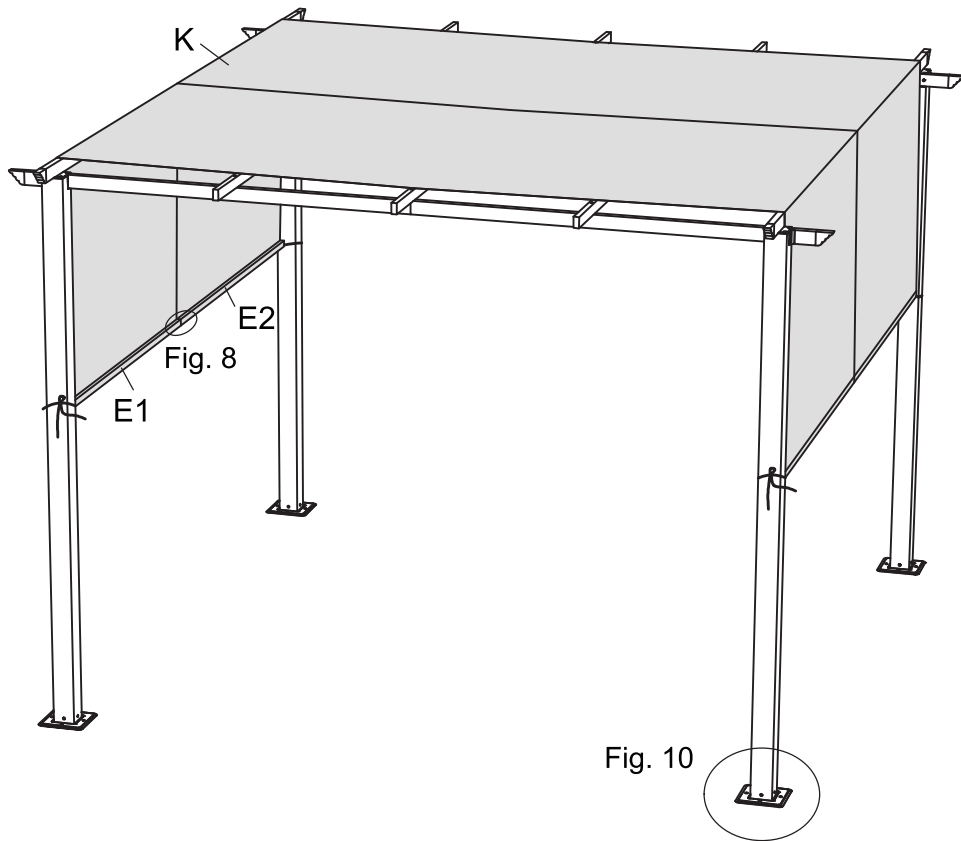


Fig.6: Using Bolt (AA) to connect Roof Tubes (D1 &D2).

Fig.7: Using Bolt (CC) to connect Roof Tube Curved (B1) and Roof Tubes (D1) / Roof Tube Curved (B2) and Roof Tubes (D2) / Roof Tube Curved (B1) and Roof Tubes (D2) / Roof Tube Curved (B2) and Roof Tubes (D1).

STEP 4



- Fig.8: Insert Weight Bar (E1) to Weight Bar (E2) till you will see the push pin out from the tube.
- Fig.9: Pass the Shade Fabric K through the Roof Tube (D1/D2) in turn as above diagram. Make sure Cross Beam (C1/C2) on the edge support the Shade Fabric underneath. Insert the Pulling Rod (E1/E2) to Shade Fabric. After assembled, please pull the Shade Fabric, make sure it runs smoothly.
- Fig.10: Insert Anchor (DD) to Base Plate (H). Tie the fabric rope on the post (A1/A2).