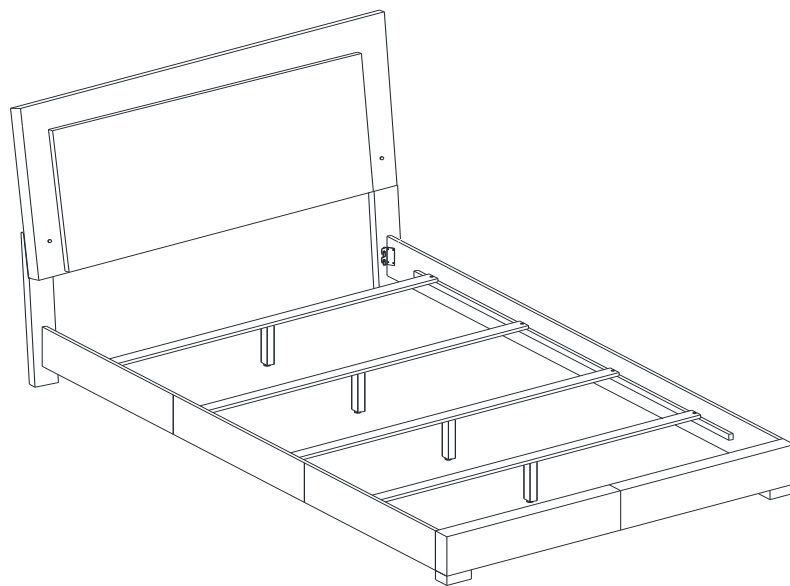


# ASSEMBLY INSTRUCTIONS



*Fine Furniture for every stage of life*

**Full Bed**

# ASSEMBLY INSTRUCTIONS

## ASSEMBLY TIPS:

1. Remove hardware from box and sort by size.
2. Please check to see that all hardware and parts are present prior to start of assembly.
3. Please follow attached instructions in the same sequence as numbered to assure fast & easy assembly.



### WARNING!

1. Don't attempt to repair or modify parts that are broken or defective. Please contact the store immediately.
2. This product is for home use only and not intended for commercial establishments.



ASSEMBLY TIME

20 MINUTES

## PARTS IDENTIFICATION

### B1 ( BOX 1 )

A HEADBOARD PANEL



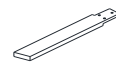
1PC

B RIGHT HEADBOARD LEG



1PC

C LEFT HEADBOARD LEG



1PC

### B2 ( BOX 2 )

D BED SLAT



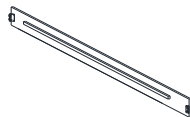
4PCS

E BED SLAT SUPPORT WITH LEVELER



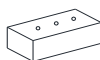
4PCS

F BED RAIL



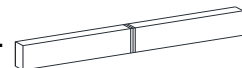
2PCS

G FOOTBOARD LEG



2PCS

H FOOTBOARD PANEL



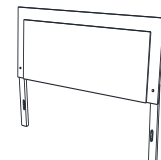
1PC

I ADAPTER PLUG



1PC

HB (B1) FROM BOX 1 HEADBOARD COMPLETE



1PC

# ASSEMBLY INSTRUCTIONS

## ASSEMBLY TIPS:

1. Remove hardware from box and sort by size.
2. Please check to see that all hardware and parts are present prior to start of assembly.
3. Please follow attached instructions in the same sequence as numbered to assure fast & easy assembly.

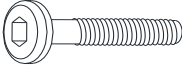

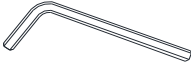
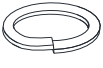


## WARNING!





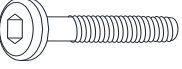
1. Don't attempt to repair or modify parts that are broken or defective. Please contact the store immediately.
2. This product is for home use only and not intended for commercial establishments.

## HARDWARE IDENTIFICATION

### Z-B1 (BOX 1) - HARDWARE PACK IS LOCATED IN (B1)

1	<b>BOLT</b> (M6 x 30mm - BLK)		6PCS	3	<b>FLAT WASHER</b> (1/4" X 13mm - BLK)		6PCS
2	<b>SMALL ALLEN WRENCH</b> (M4 x 60mm - BLK)		1PC	4	<b>LOCK WASHER</b> (1/4" - BLK)		6PCS

### Z-B2 (BOX 2) - HARDWARE PACK IS LOCATED IN (B2)

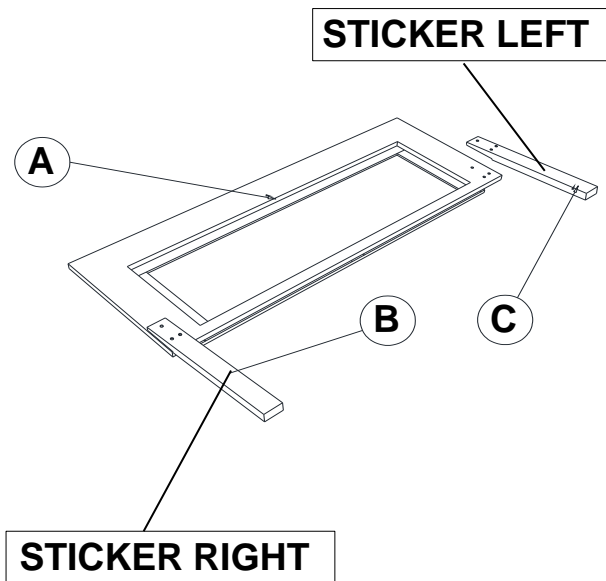
5	<b>SHORT FLAT HEAD SCREW</b> (M4 x 32mm - RBW)		8PCS	8	<b>SMALL ALLEN WRENCH</b> (M4 x 60mm - BLK)		1PC
6	<b>LONG FLAT HEAD SCREW</b> (M4 x 50mm - RBW)		6PCS	9	<b>BIG ALLEN WRENCH</b> (M5 x 65mm - BLK)		1PC
7	<b>BOLT</b> (M6 x 40mm - BLK)		4PCS				

## NOTE:

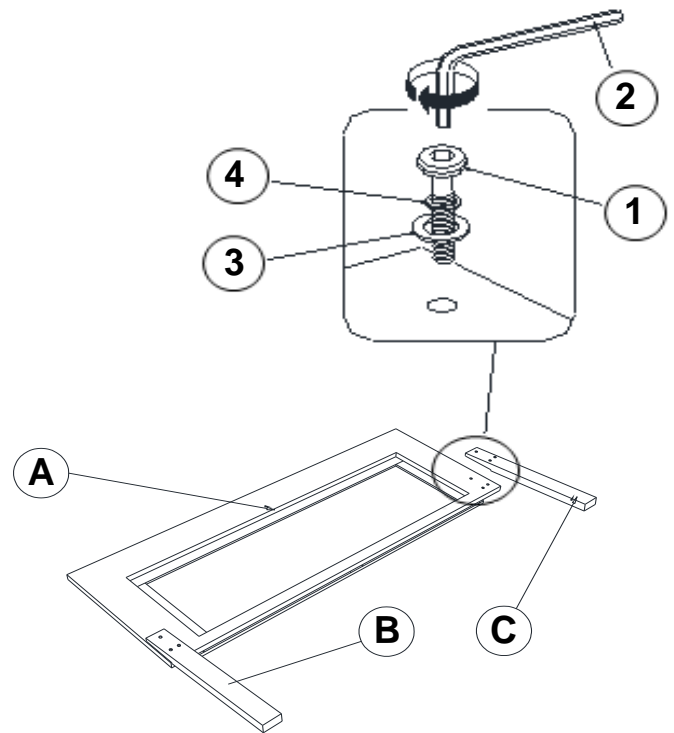
Phillips head screw driver is required in the assembly process; however, manufacturer does not provide this item.

# ASSEMBLY INSTRUCTIONS

## STEP 1

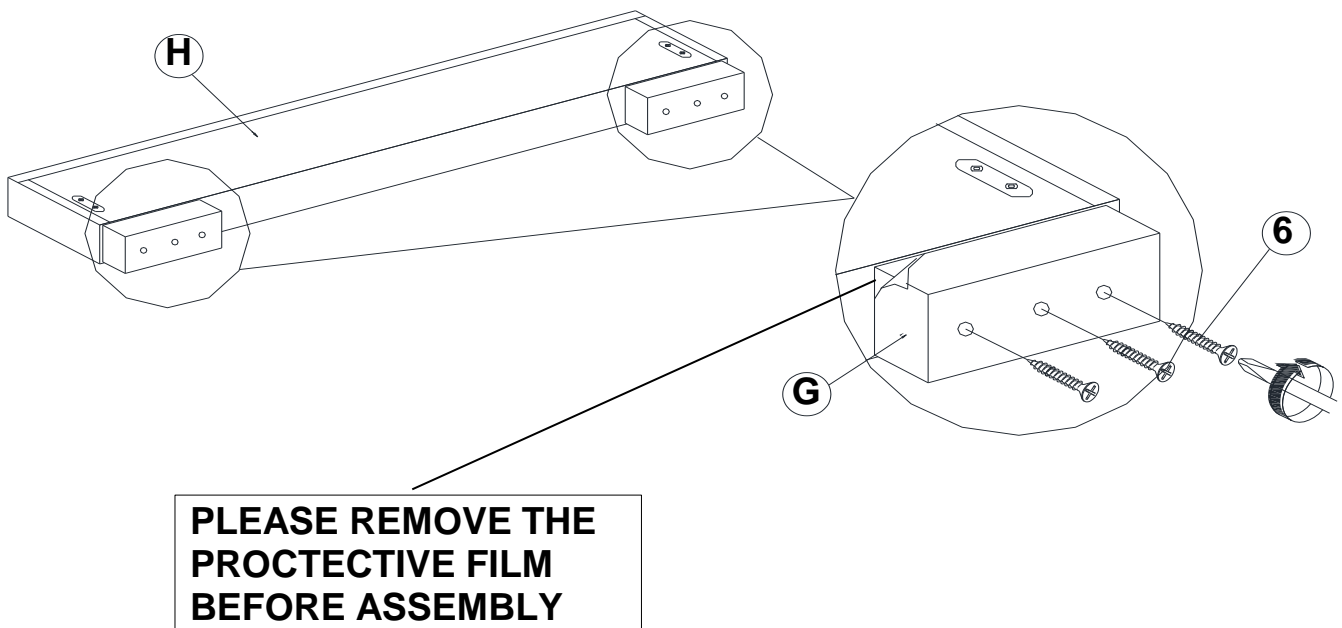


## STEP 2



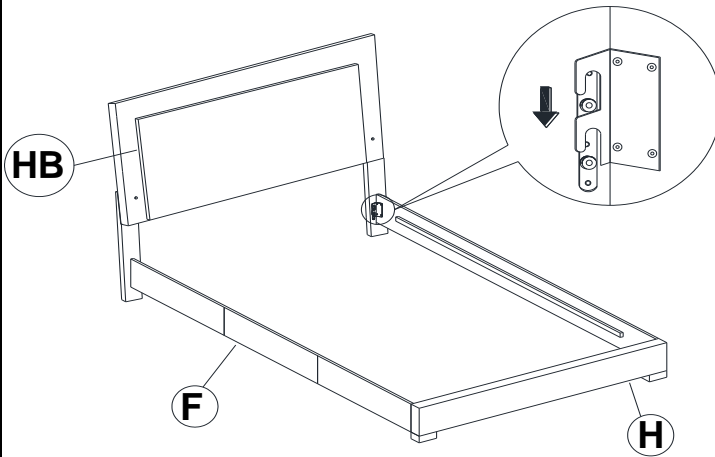
**IF PURCHASE HEADBOARD ONLY, SKIP BELOW STEPS**

## STEP 3

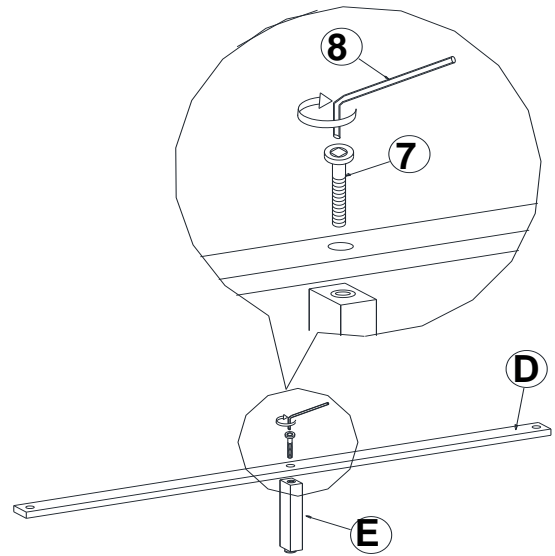


# ASSEMBLY INSTRUCTIONS

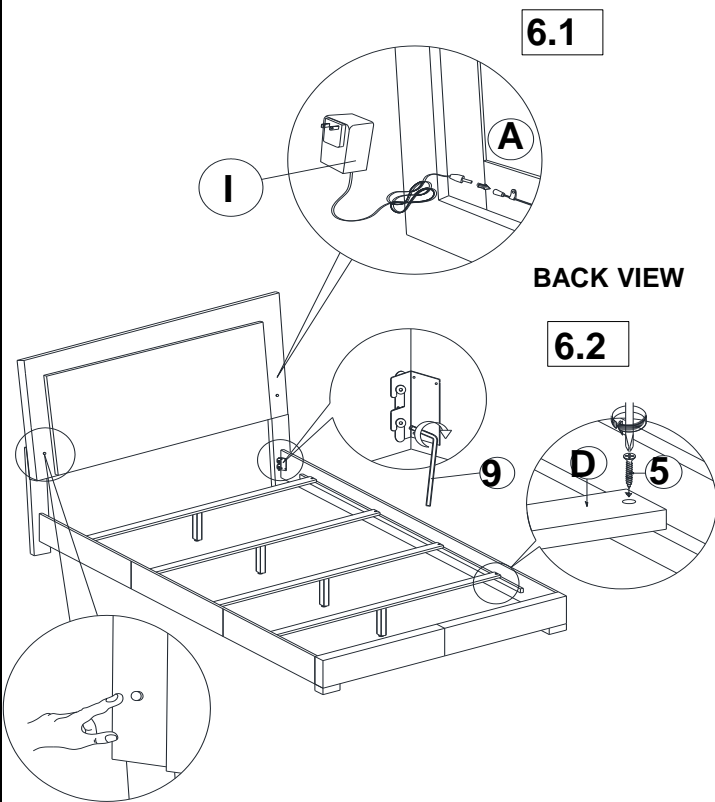
## STEP 4



## STEP 5

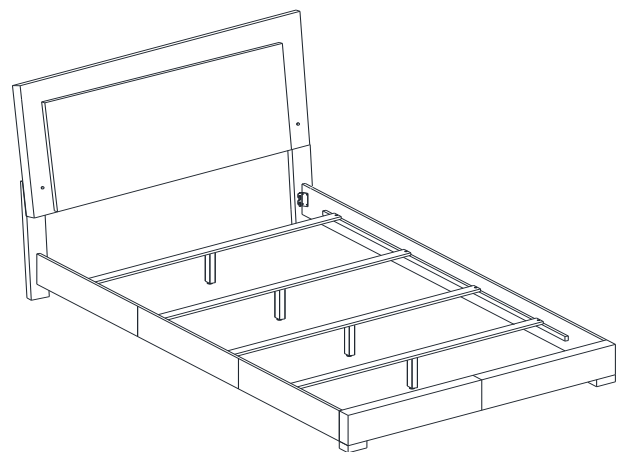


## STEP 6

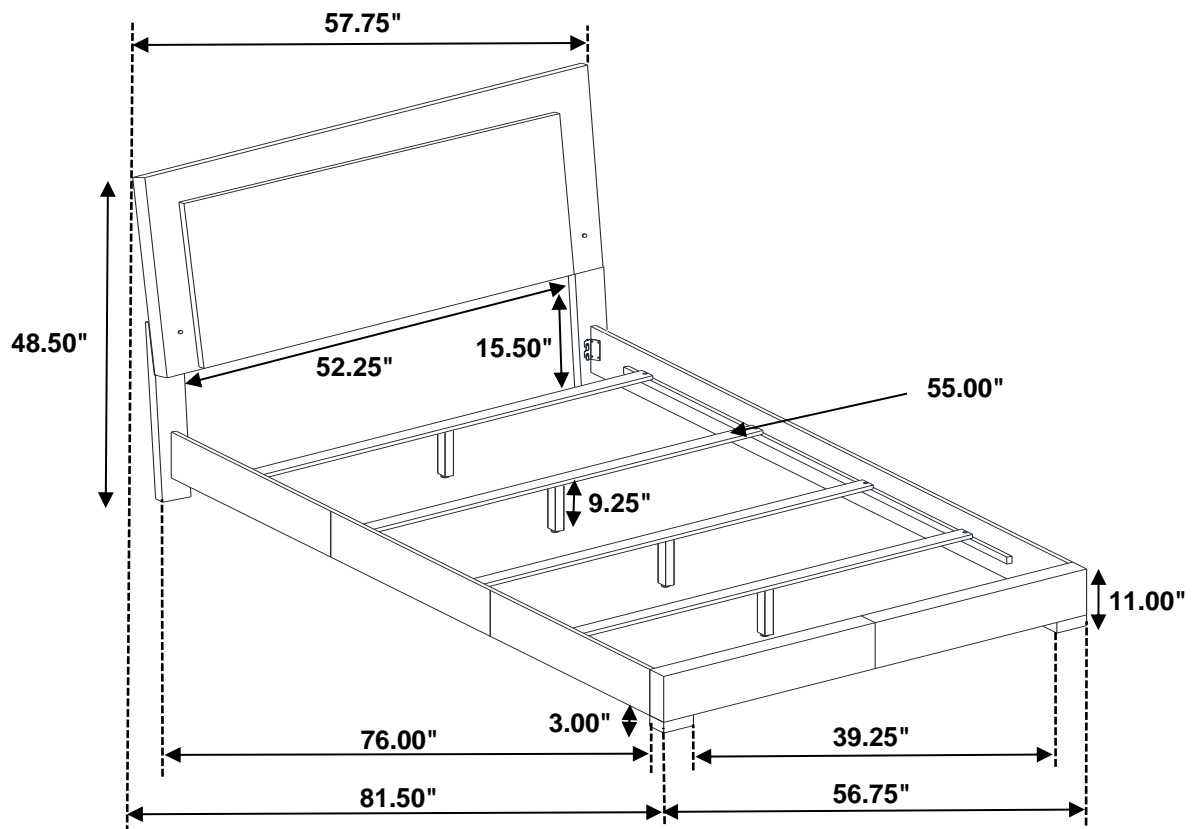


ON & OFF TOUCH SWITCH

## STEP 7 COMPLETE



Inner Size : 55.00W" X 76.00"D



Note : Dimension tolerance  $\pm 5\%$

# ASSEMBLY INSTRUCTIONS



*Fine Furniture for every stage of life*

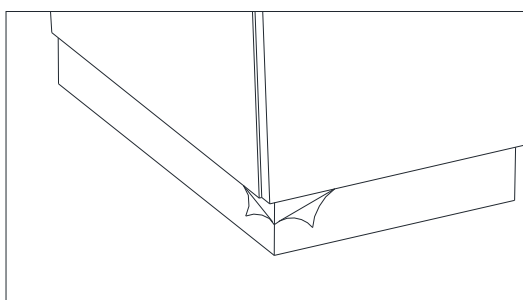
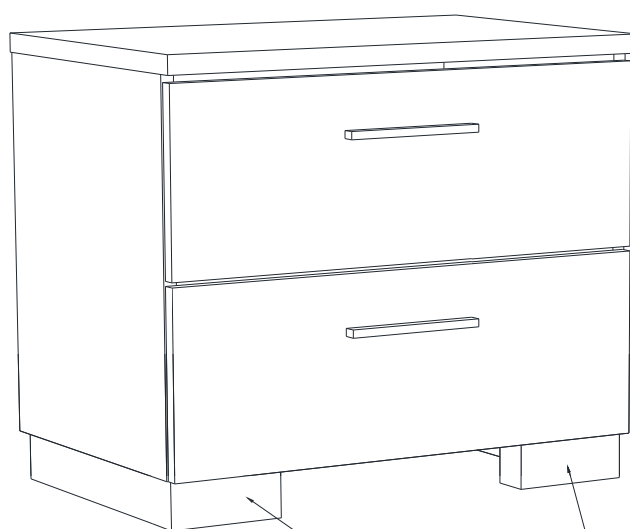
**Nightstand**

REVISION 0 : 05/27/2014  
REVISION 1 : 07/26/2019

**PAGE 1 OF 2**

# ASSEMBLY INSTRUCTIONS

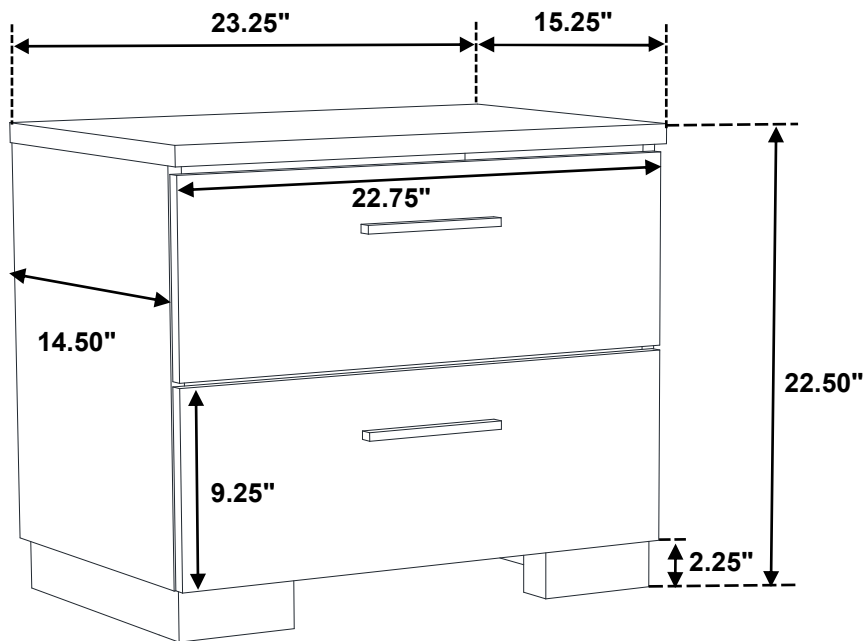
## REMOVAL OF PROTECTIVE FILM



**PLEASE REMOVE THE  
PROTECTIVE FILM  
BEFORE USE**



**Inner Size of Drawer : 20.00"W x 12.50"D x 5.00"H x 0.25"T**



**Note : Dimension tolerance  $\pm 5\%$**

# ASSEMBLY INSTRUCTIONS



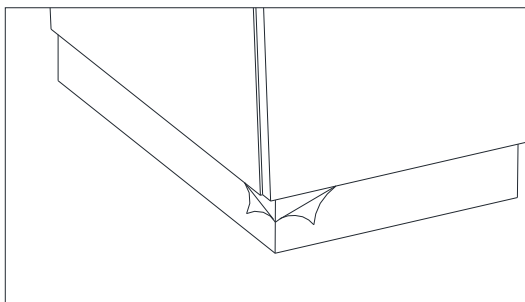
*Fine Furniture for every stage of life*

**Dresser**

REVISION 0 : 05/16/2014  
REVISION 1 : 05/27/2014  
REVISION 2 : 07/26/2019

# ASSEMBLY INSTRUCTIONS

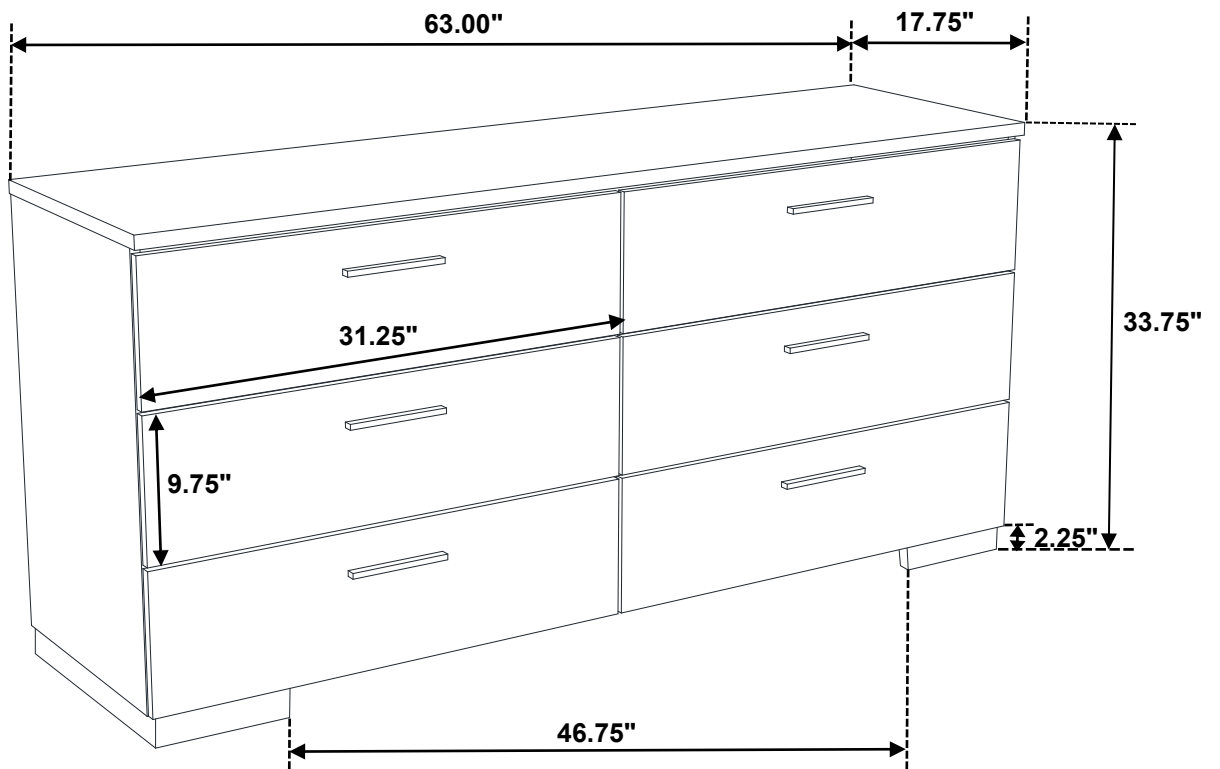
## REMOVAL OF PROTECTIVE FILM



**PLEASE REMOVE THE  
PROTECTIVE FILM  
BEFORE USE**

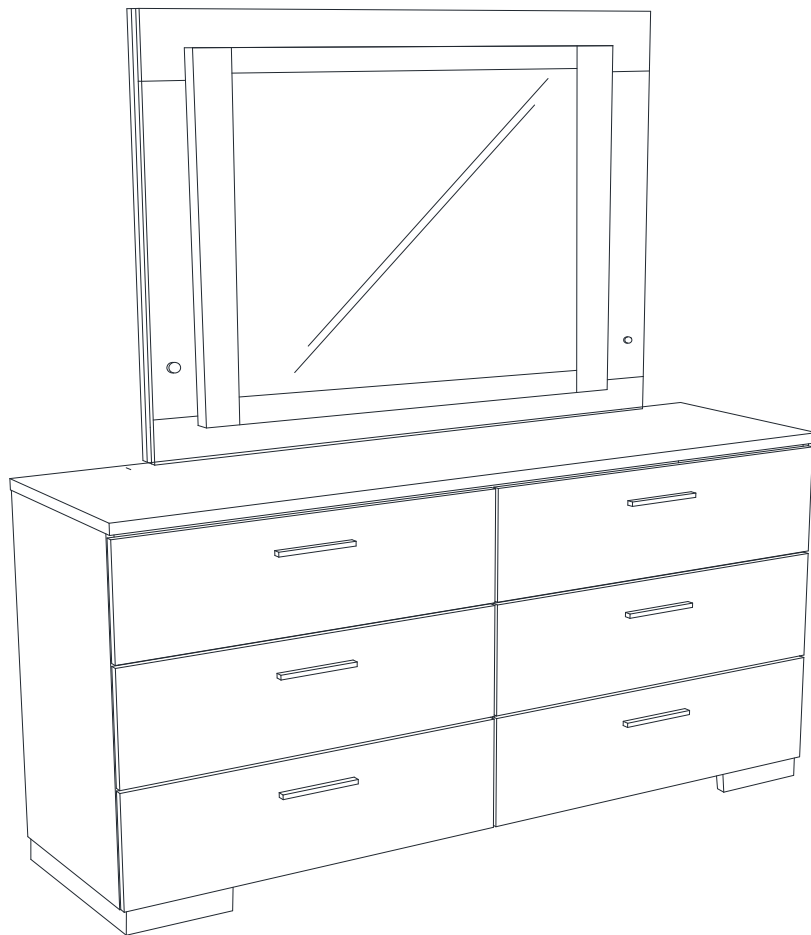


**Inner Size of Drawer : 28.75"W x 12.50"D x 5.00"H x 0.25"T**



**Note : Dimension tolerance  $\pm 5\%$**

# ASSEMBLY INSTRUCTIONS



*Fine Furniture for every stage of life*

**LED Mirror**

# ASSEMBLY INSTRUCTIONS

## ASSEMBLY TIPS:

1. Remove hardware from box and sort by size.
2. Please check to see that all hardware and parts are present prior to start of assembly.
3. Please follow attached instructions in the same sequence as numbered to assure fast & easy assembly.



### WARNING!

1. Don't attempt to repair or modify parts that are broken or defective. Please contact the store immediately.
2. This product is for home use only and not intended for commercial establishments.



ASSEMBLY TIME

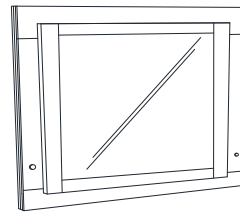
10 MINUTES

## PARTS IDENTIFICATION

A

MIRROR

1PC



B

DRESSER  
FROM BOX

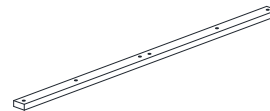
1PC



C

MIRROR SUPPORT  
(PACK WITH DRESSER)

2PCS



D

ADAPTER PLUG

1PC



## HARDWARE IDENTIFICATION

1

FLAT HEAD SCREW  
(M4 x 32mm - RBW)

10PCS

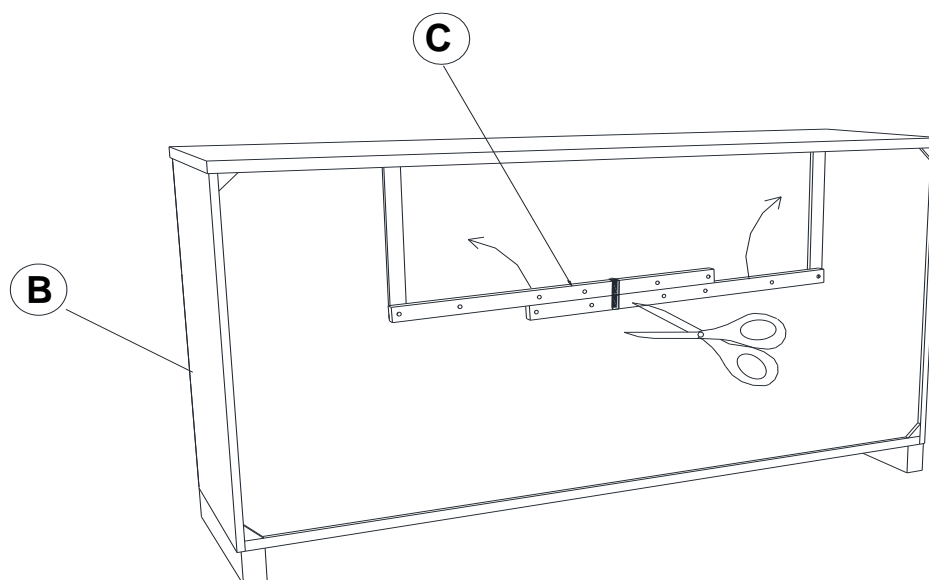


### NOTE:

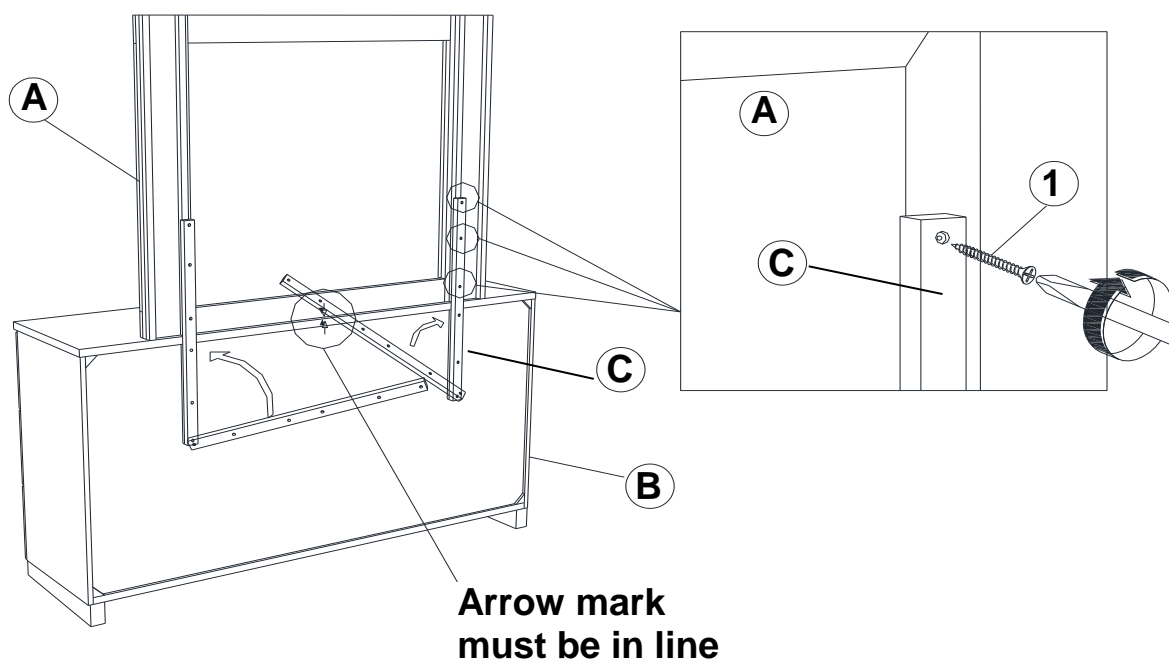
Phillips head screw driver is required in the assembly process; however, manufacturer does not provide this item.

# ASSEMBLY INSTRUCTIONS

## STEP 1



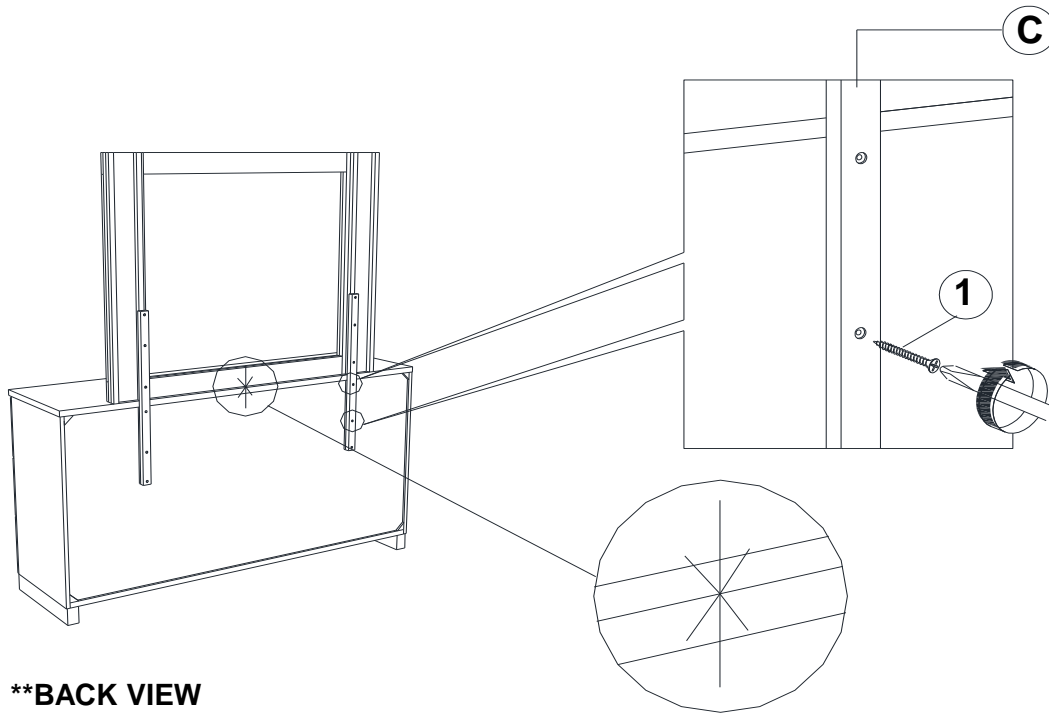
## STEP 2



\*\*BACK VIEW

# ASSEMBLY INSTRUCTIONS

## STEP 3

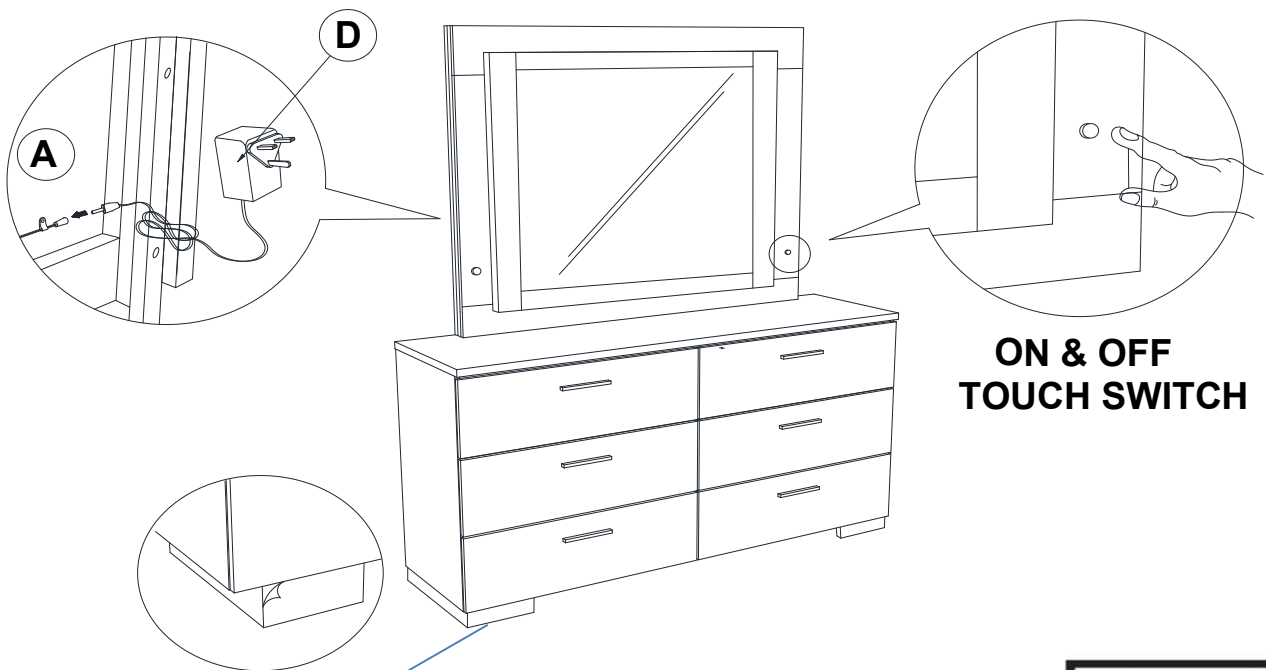


**\*\*BACK VIEW**

**Arrow Marking Must Be Aligned**

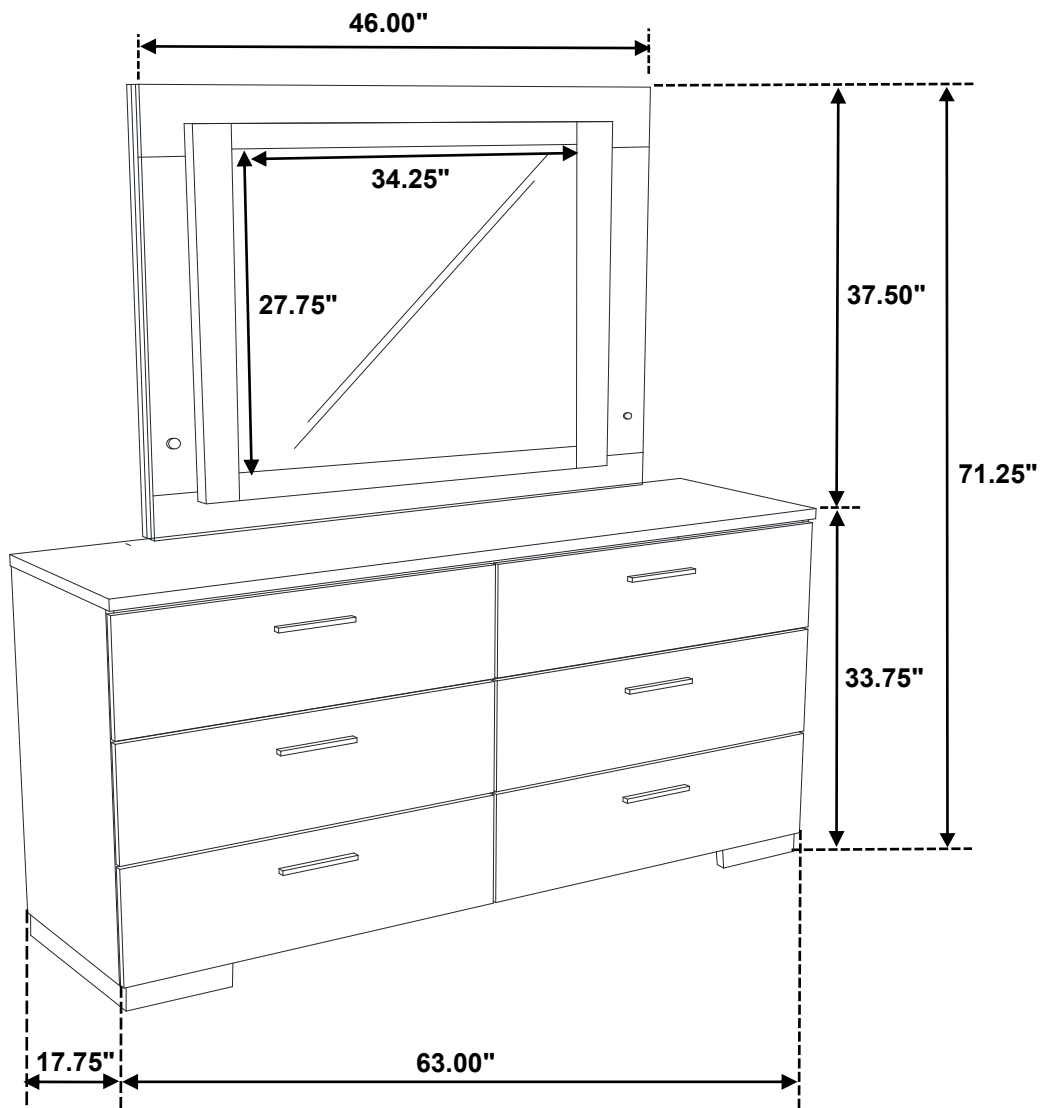
## STEP 4

## **COMPLETE**



**PLEASE REMOVE THE PROTECTIVE FILM BEFORE USE**





**Note : Dimension tolerance  $\pm 5\%$**