

85" DOUBLE SINK VANITY SET



CABINET SIZE

Two 30"W x 21.5"D x 34.5"H Cabinets &
One 24"W x 19.5"D x 32"H Middle Cabinet

MIRROR SIZE

Two 24"W x 36"H Mirrors &
One 24"W x 12.5"D x 54"H Medicine Cabinet

FEATURES

- Solid wood frame & plywood panels
- Dovetail drawers and joints
- Soft closing doors & drawers
- Matching Framed Mirrors Included

HARDWARE FINISHES*



Brushed Nickel Satin Brass Matte Black Polished Chrome

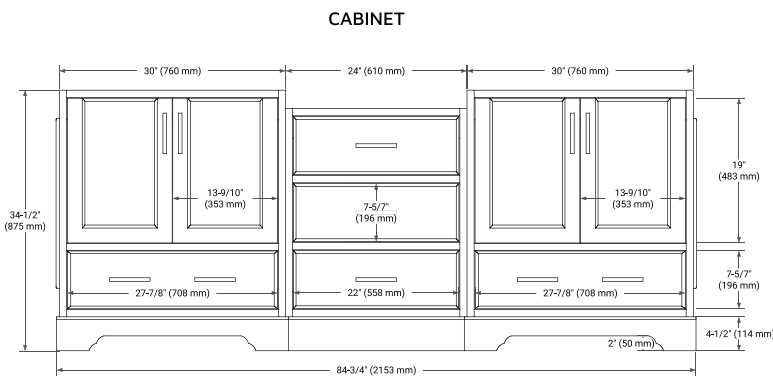
*Hardware comes preinstalled with the illustrated option.
Other finishes are available on our online store if you prefer a different one.

AVAILABLE COLORS

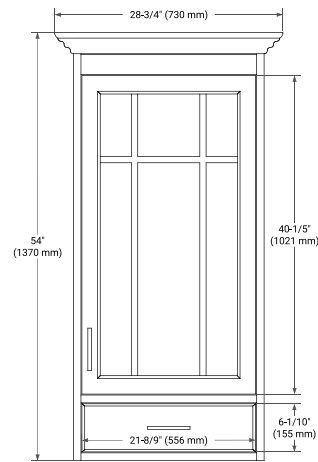


White Grey Espresso

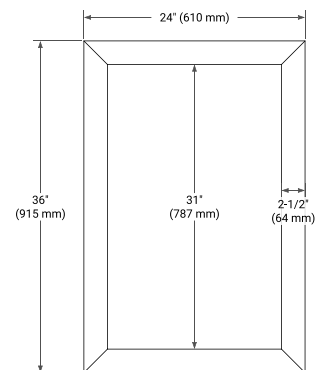
FRONT VIEW



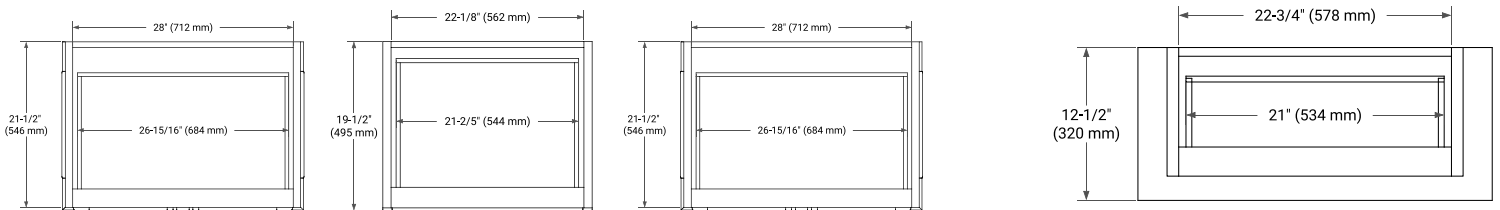
CABINET MIRROR



MIRROR



PLAN VIEW

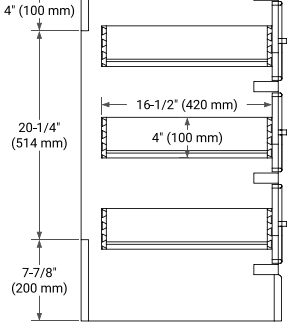
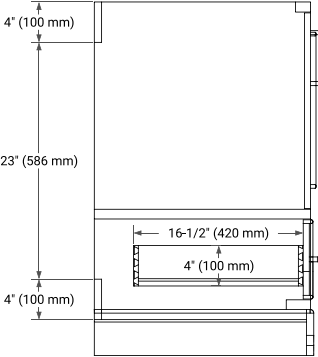


CABINET

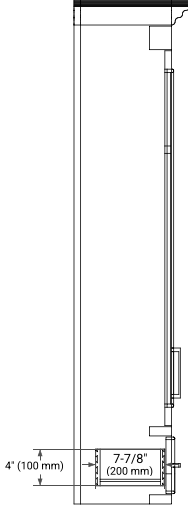
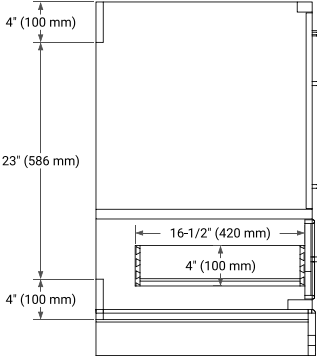
CABINET MIRROR

85" DOUBLE SINK VANITY SET

SIDE VIEW



CABINET



CABINET MIRROR

RECTANGLE SINK COUNTERTOP WITH 1.5 IN. THICKNESS

OVERALL DIMENSIONS

Two 30.5"W x 22"D x 1.5"H Countertops &
One 24"W x 19.5"D x 1.5"H Middle Countertop

COUNTERTOP OPTIONS



Carrara Marble



White Quartz

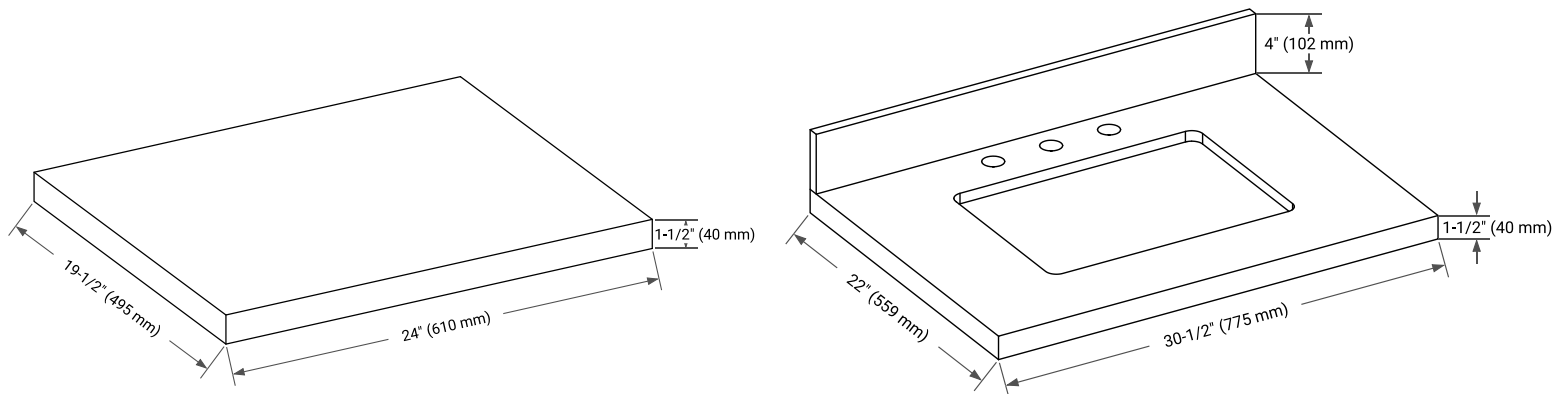
FEATURES

- Countertop Pre-Drilled for 8" Widespread Faucet
- Two Ceramic, UPC Certified

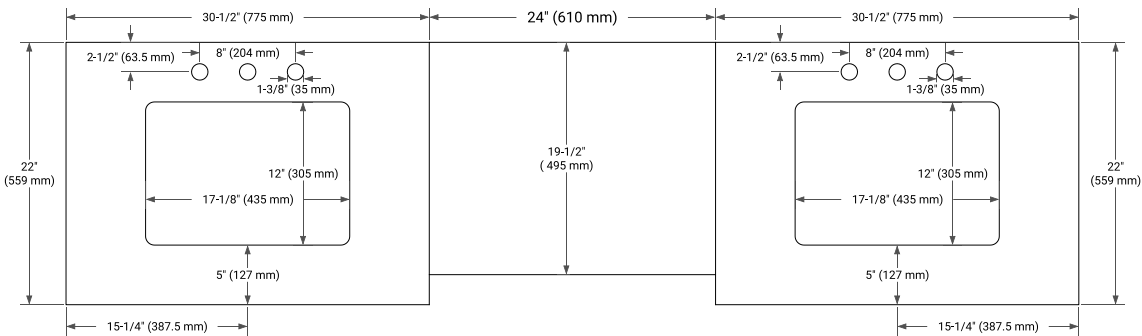
FEATURES

- Countertop
- Matching Backsplash
- Rectangle Sinks

THREE DIMENSIONAL COUNTERTOP VIEW



TOP VIEW



EDGE SIDE VIEW

