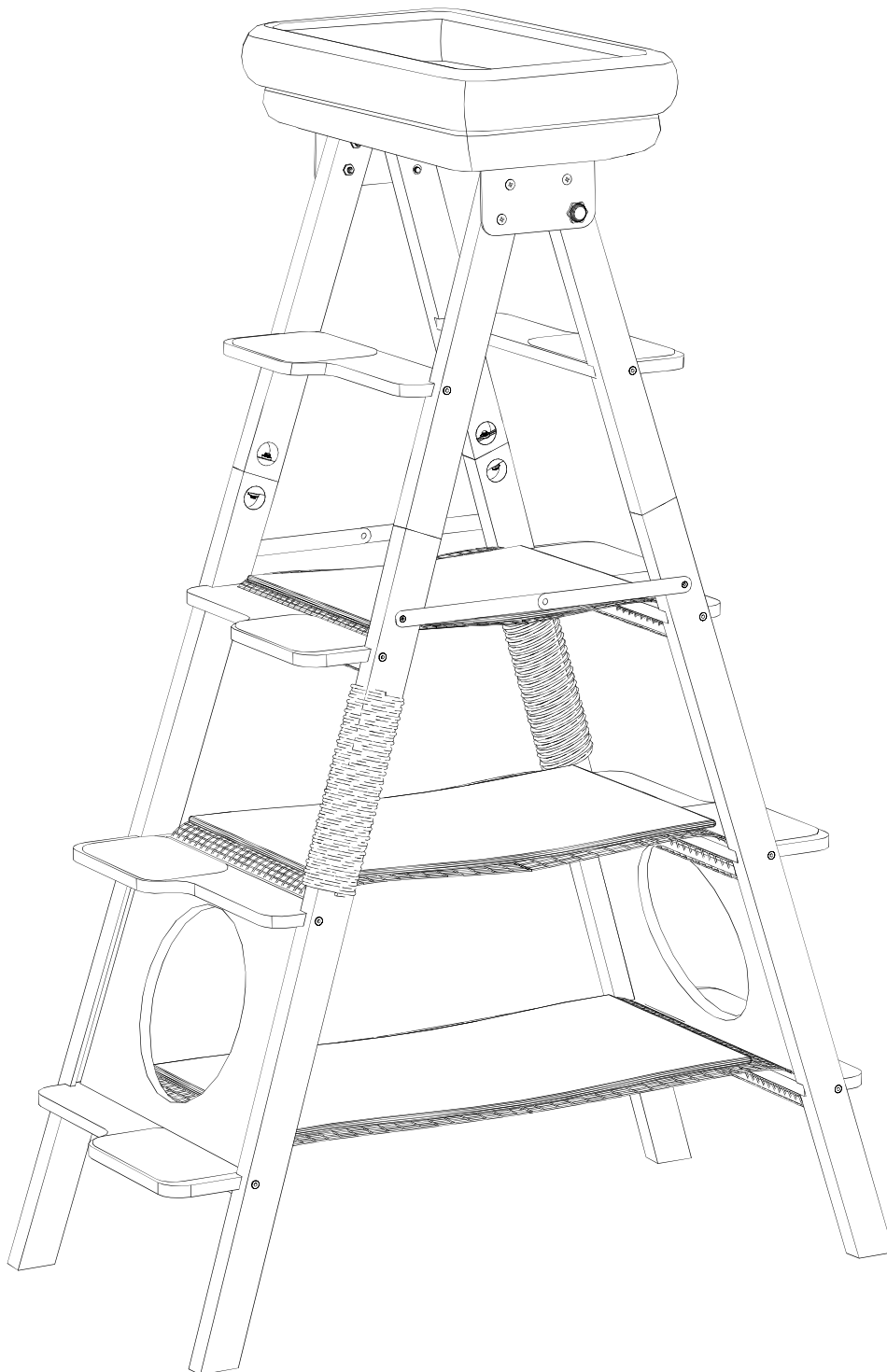
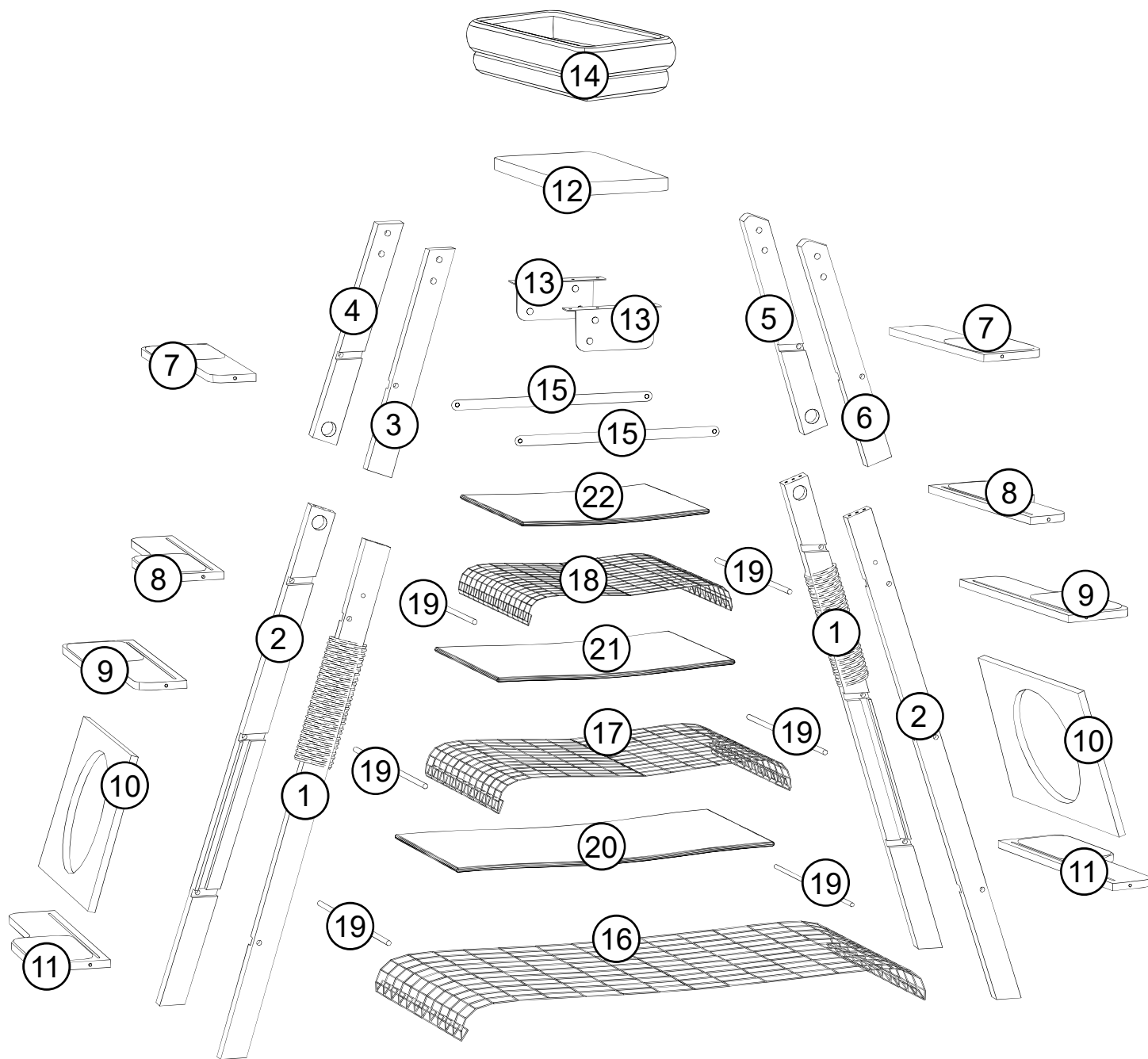


Assembly Instructions

Ladder Cat Tree

Note: Please follow the instructions for more convenient installation.



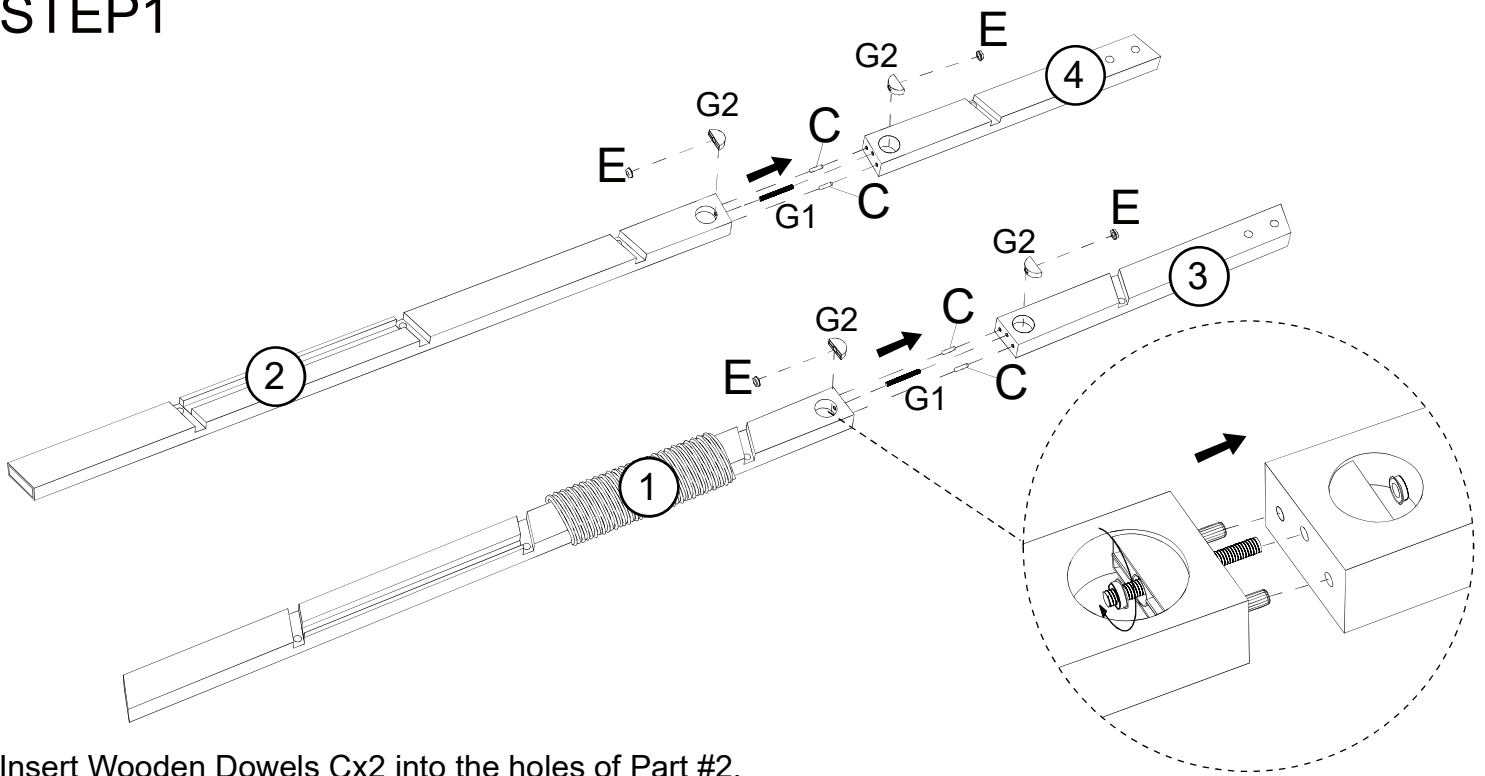


| | | | | | | | | | | | |
|----------|----------------|----------|---------------|----------|---------------|----------|---------------|----------|----------------|----------|-----------|
| A | x16(+1) | B | x6(+1) | C | x8(+1) | D | x8(+1) | E | x14(+1) | F | x2 |
| | | | | | | | | | | | |
| Ø 6x50mm | | Ø 6x40mm | | Ø 8x30mm | | Ø 3x12mm | | | | Ø 6x25mm | |





| | | | | | | | | | | | |
|----------|-----------|---------------|----------|---------------|----------|---------------|----------|-----------|-----------|----|--|
| G | x4 | x8(+1) | H | x8(+1) | I | x4(+1) | J | x2 | x1 | | |
| | | | | | | | | | | | |
| G1 | | G2 | | | | Ø 3x16mm | | J1 | | J2 | |
| Ø 6x80mm | | | | | | | | | | | |

| | | |
|----------|-----------|----|
| K | x1 | |
| | | |
| K1 | K2 | K3 |

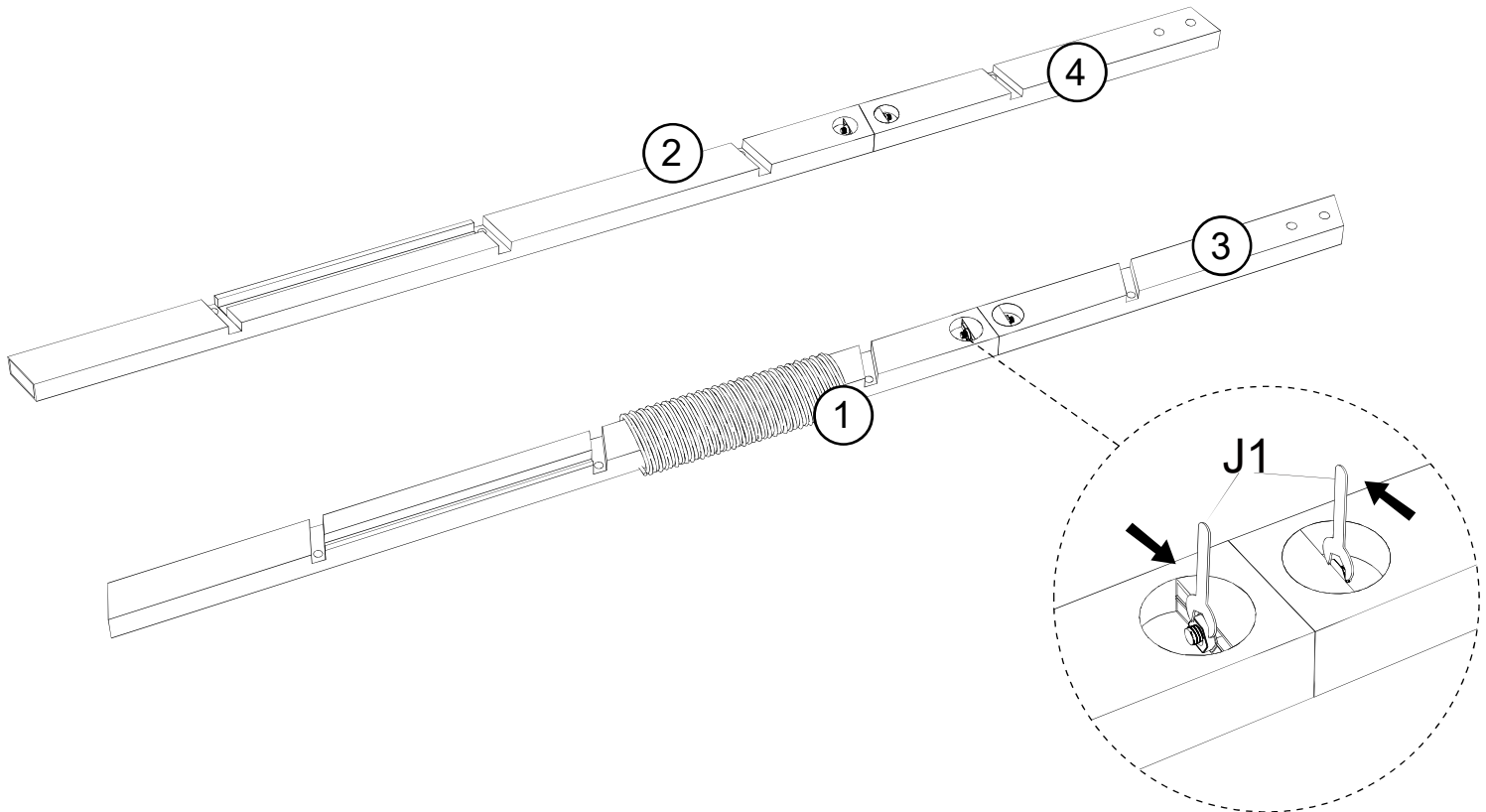
STEP1




Insert Wooden Dowels Cx2 into the holes of Part #2.
 Place G2x2 into the circular holes of Part #2 and Part #4,
 aligning them with the holes as shown in the diagram.
 Insert Screw Rod G1 into the middle hole of Part #2,
 then turn Nut E clockwise to connect Part #2 and Part
 #4. Tighten Nut E onto the other end of Screw Rod G1.
 Repeat the same method to connect Part #1 and Part
 #3.

| | | | | | |
|---|---------|---|----|---|---|
| C | x4 | E | x4 | G | |
|  | |  | |  |  |
| | Ø8x30mm | | | Ø6x80mm | |

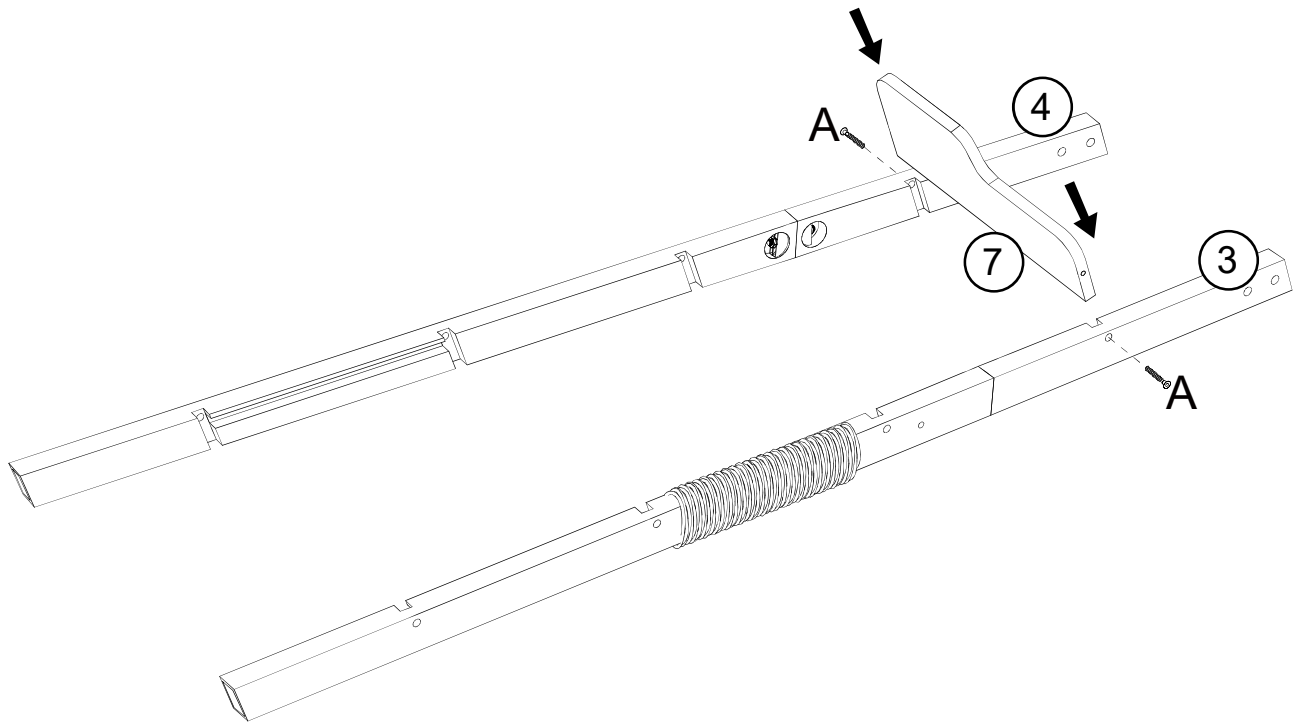
STEP2




Use Allen wrenches J1x2 to hold the Nuts simultaneously, and turn clockwise to tighten
 the Nuts Ex4 for Part #1, Part #2, Part #3 and Part #4.

| | |
|---|----|
| J1 | x2 |
|  | |

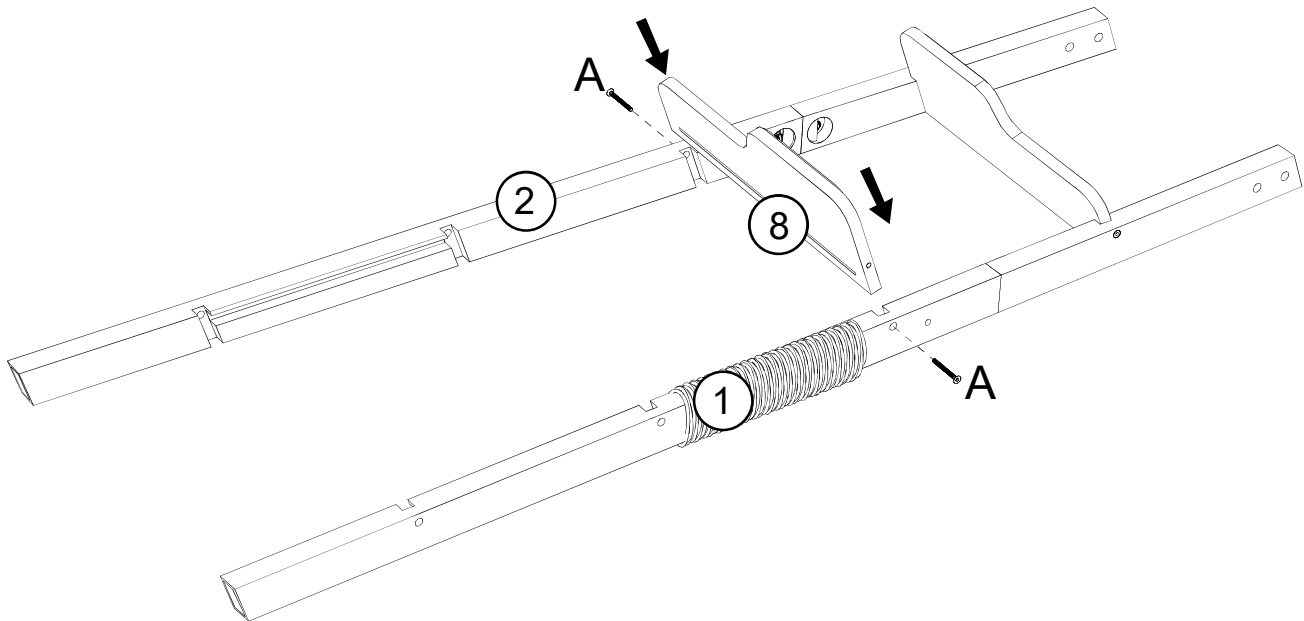
STEP3




Place the connected two wooden legs on the ground. Install the wooden board from the top to the bottom, ensuring the correct orientation with the anti-slip pad facing upwards. Insert Part #7 into the groove, use Screws Ax2 to connect Part #3, Part #4 and Part #7 as shown.

| | |
|---|----|
| A | x2 |
|  | |
| Ø6x50mm | |

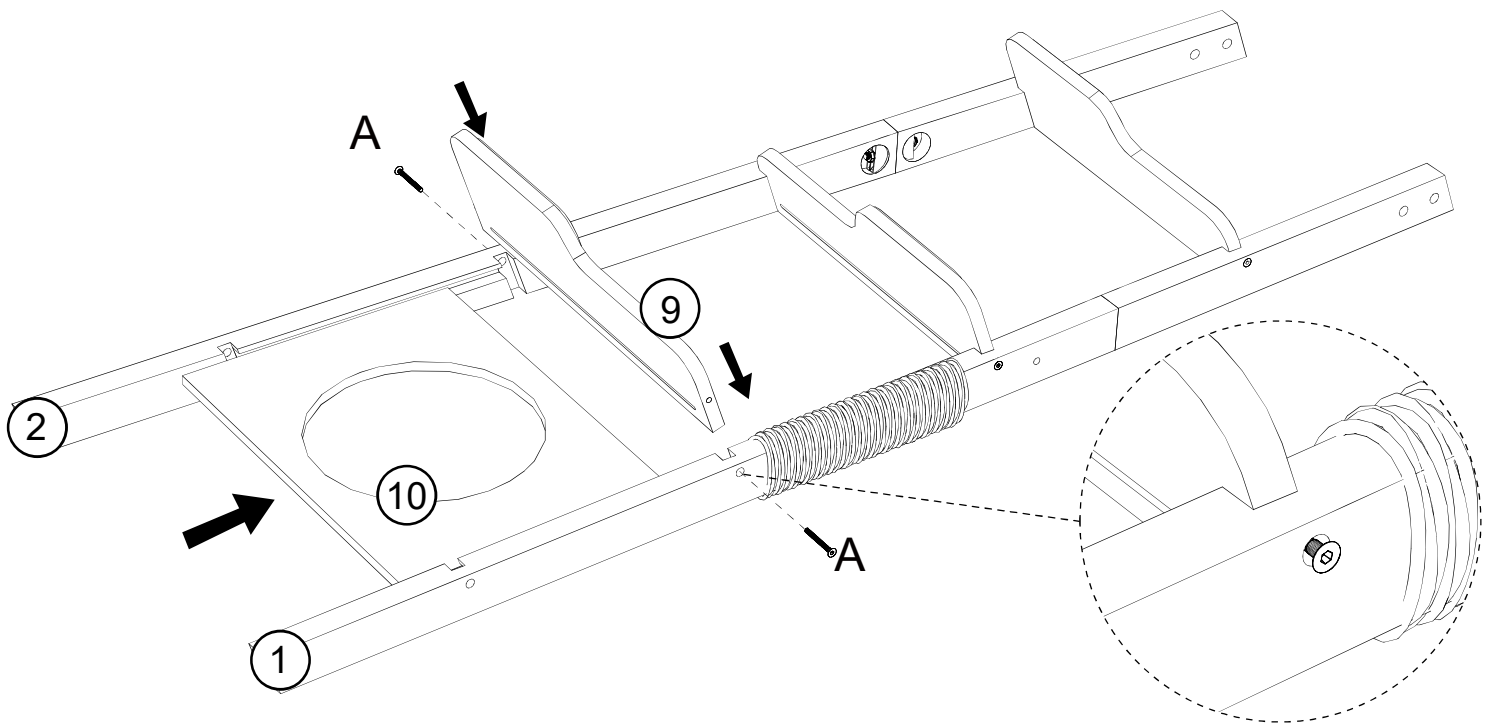
STEP4




Insert Part #8 into the groove, use Screws Ax2 to connect Part #1, Part #2 and Part #8 as shown.

| | |
|---|----|
| A | x2 |
|  | |
| Ø6x50mm | |

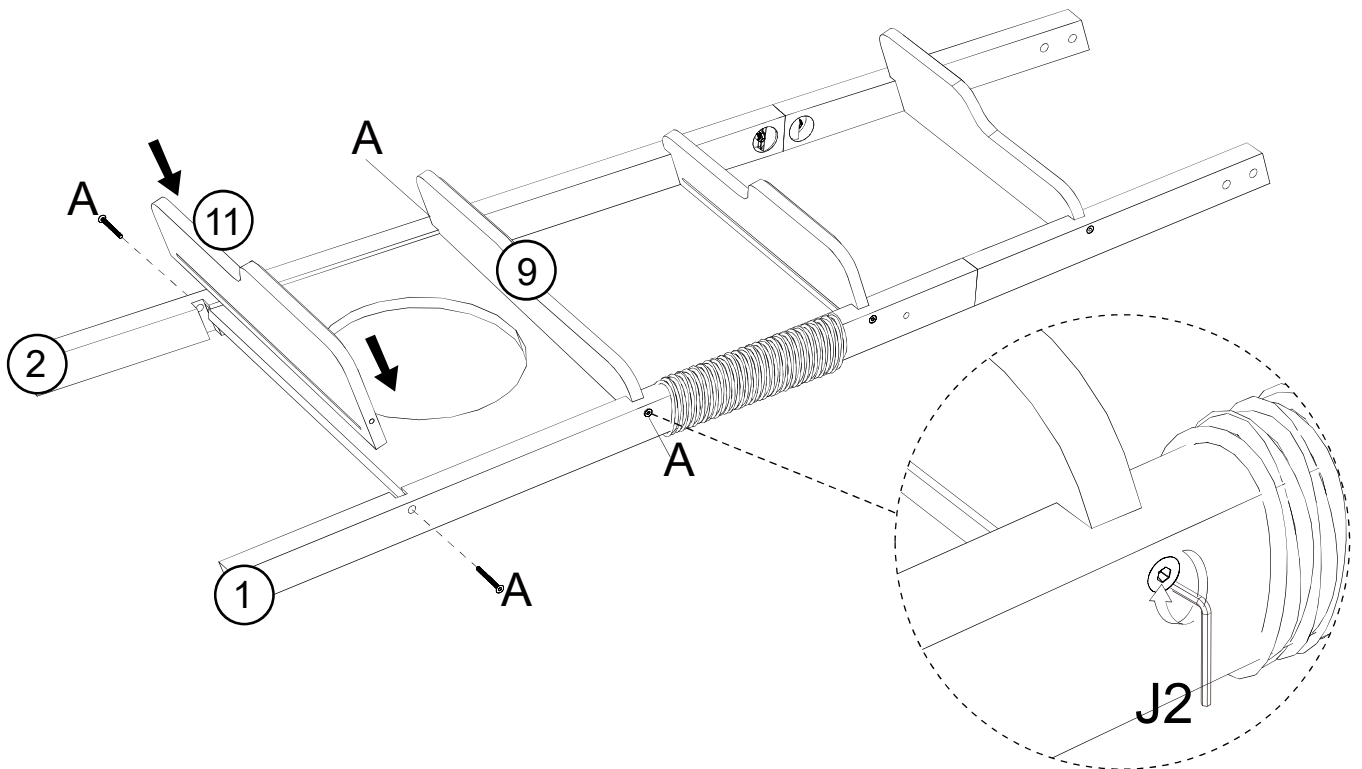
STEP5



Insert Part #9 into the groove as shown in the diagram. Use Screws Ax2 to connect Part #1, Part #2, and Part #9, but do not tighten them completely. Insert Part #10 into the groove. Note: Part #10 has a trapezoidal shape with sloped surfaces on both top and bottom. It has specific orientation requirements. When oriented correctly, after inserting Part #10 into the slot, it should fit snugly and be fully aligned with Part #9.



| | |
|--|----|
| A | x2 |
|  | |
| Ø 6x50mm | |

STEP6

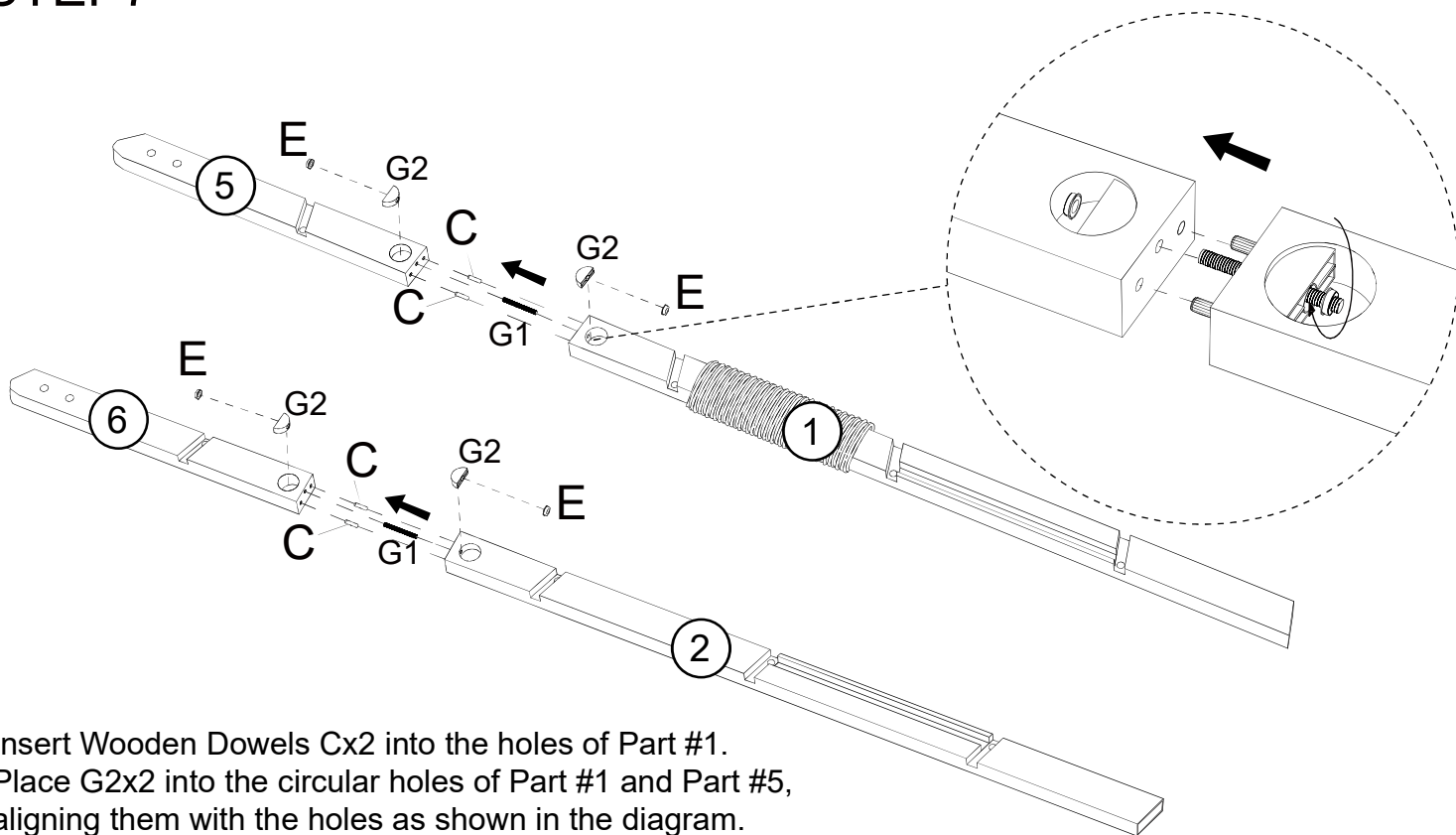


Insert Part #11 into the groove, use Screws Ax2 to connect Part #1, Part #2 and Part #11 as shown. Tighten all Screws A.





Note: If Part #11 cannot be inserted into the groove due to the excessive length of Part #10, please return to Step 5 and carefully read the instructions. Check the installation orientation of Part #10 for any issues.

| | | | |
|---|----|---|----|
| A | x2 | J2 | x1 |
|  | |  | |
| Ø 6x50mm | | | |

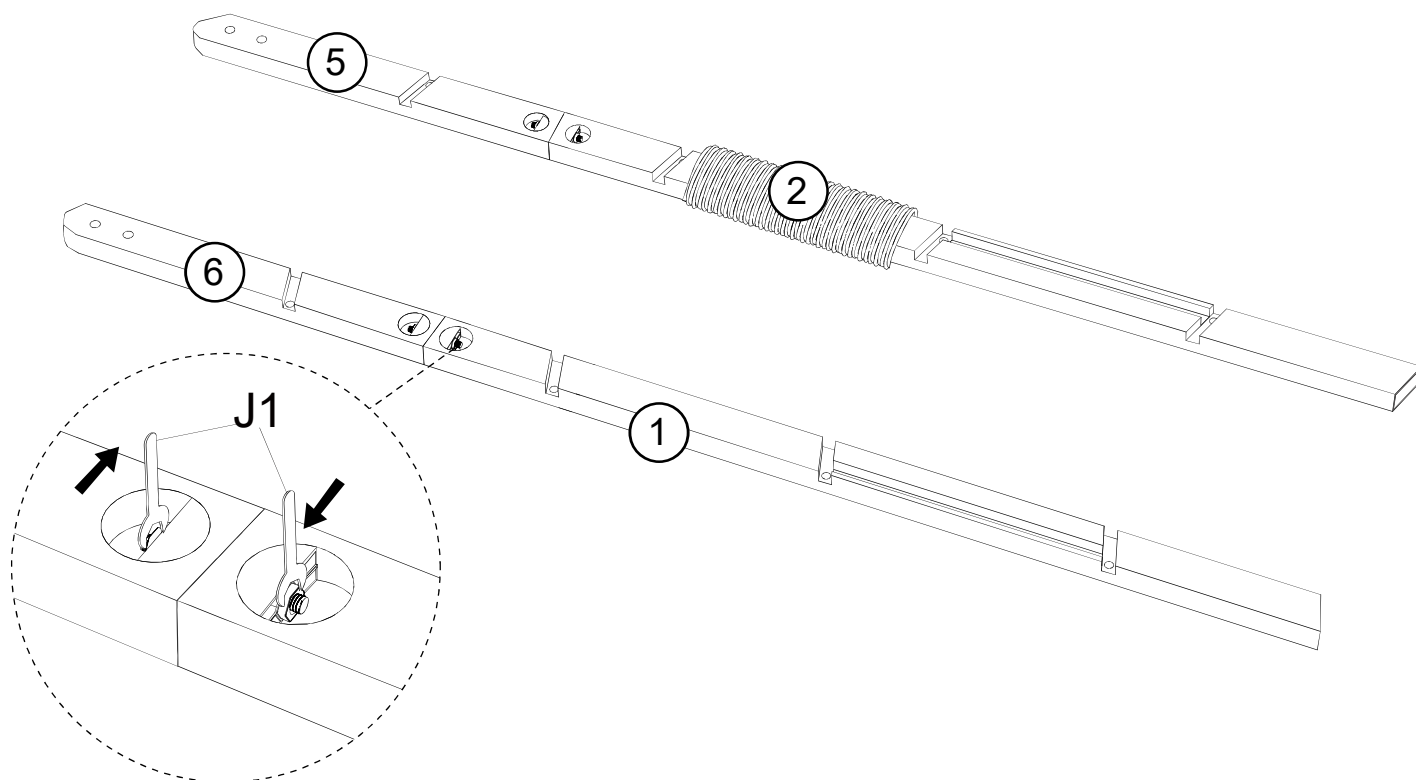
STEP7




Insert Wooden Dowels Cx2 into the holes of Part #1.
 Place G2x2 into the circular holes of Part #1 and Part #5,
 aligning them with the holes as shown in the diagram.
 Insert Screw Rod G1 into the middle hole of Part #1,
 then turn Nut E clockwise, connect Part #1 and Part #5.
 Tighten Nut E onto the other end of Screw Rod G1.
 Repeat the same method to connect Part #2 and Part
 #6.

| | | | | | | |
|---|----|---|----|---|---|----|
| C | x4 | E | x4 | G | x2 | x4 |
|  | |  | |  |  | |
| Ø8×30mm | | | | Ø6×80mm | | |

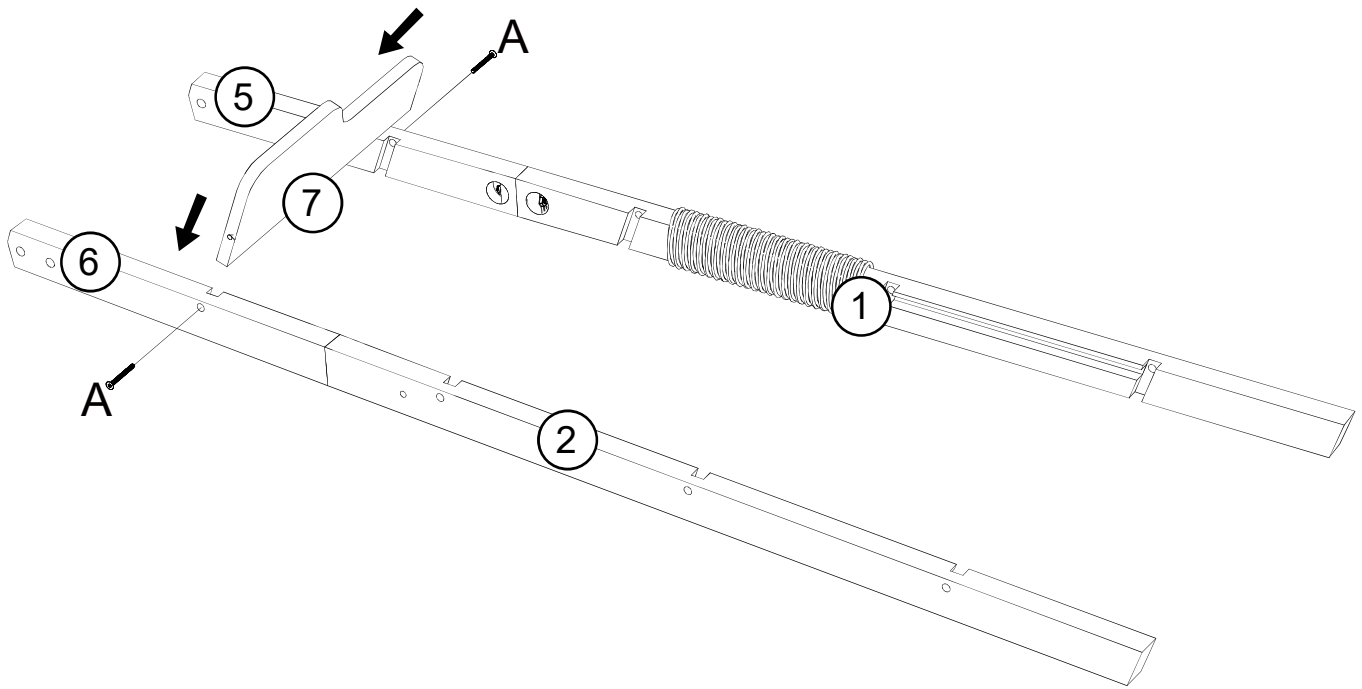
STEP8




Use Allen wrenches J1x2 to hold the Nuts simultaneously, and turn clockwise to tighten
 the Nuts Ex4 for Part #1, Part #2, Part #5 and Part #6.

| | |
|---|----|
| J1 | x2 |
|  | |

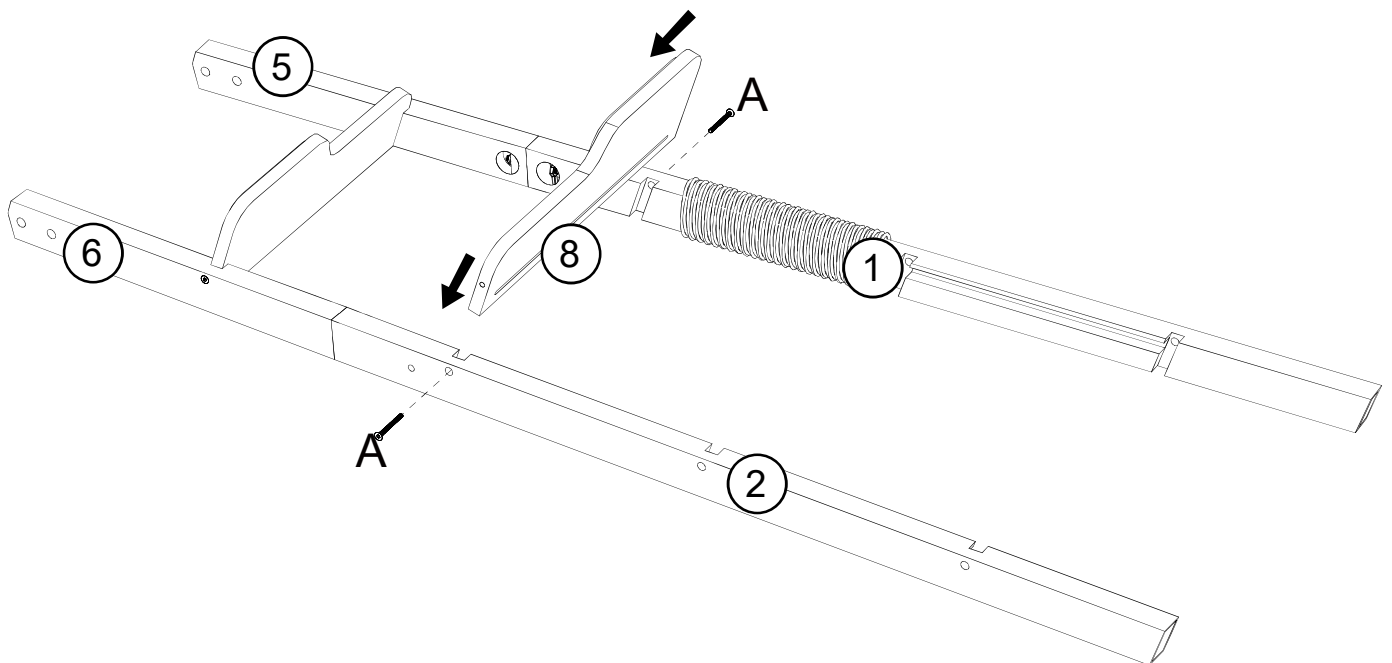
STEP9




Place the connected two wooden legs on the ground. Install the wooden board from the top to the bottom, ensuring the correct orientation with the anti-slip pad facing upwards. Insert Part #7 into the groove, use Screws Ax2 to connect Part #5, Part #6 and Part #7 as shown.

| | |
|---|----|
| A | x2 |
|  | |
| Ø 6x50mm | |

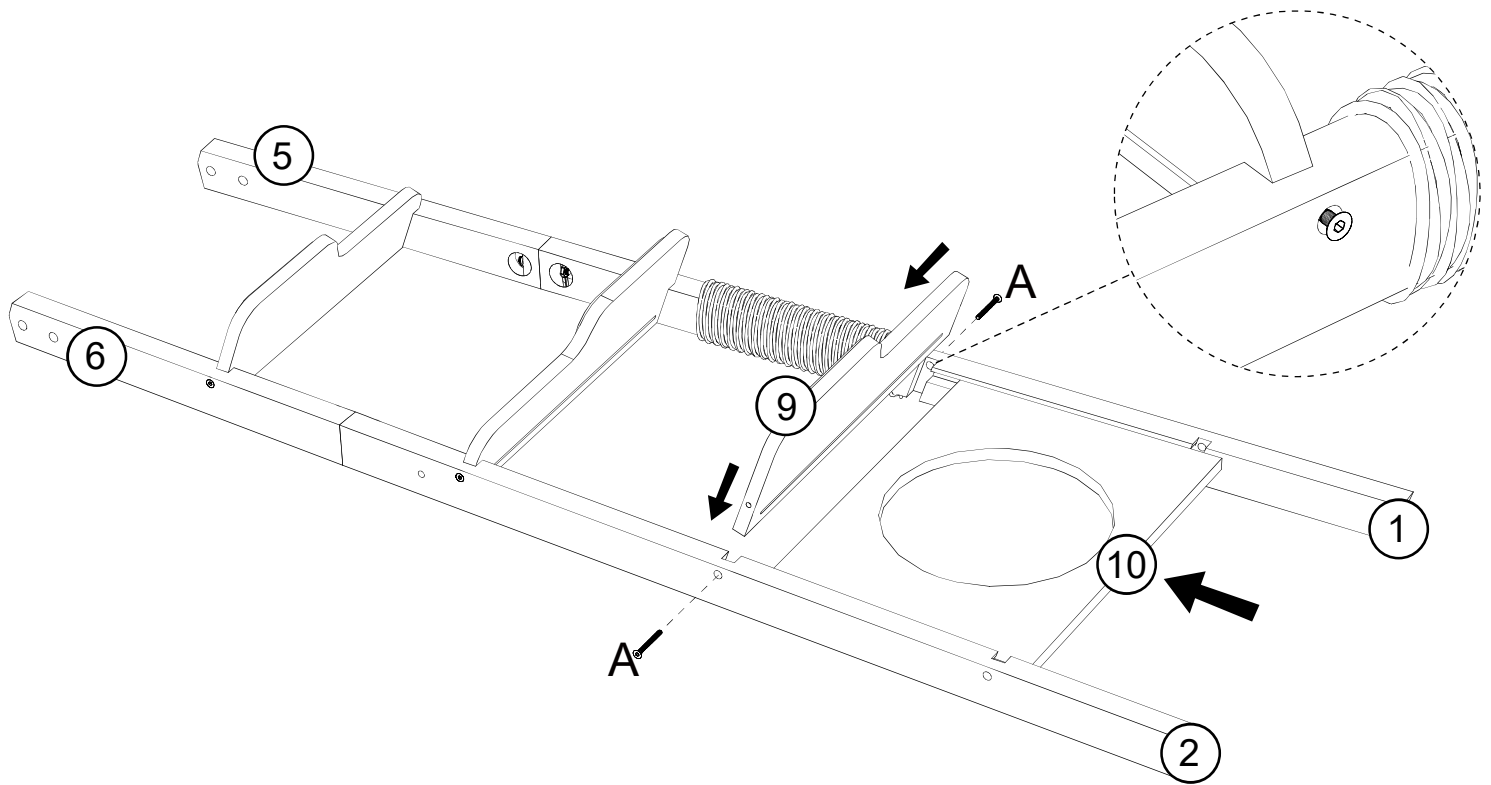
STEP10




Insert Part #8 into the groove, use Screws A x2 to connect Part #1, Part #2 and Part #8 as shown.

| | |
|---|----|
| A | x2 |
|  | |
| Ø 6x50mm | |

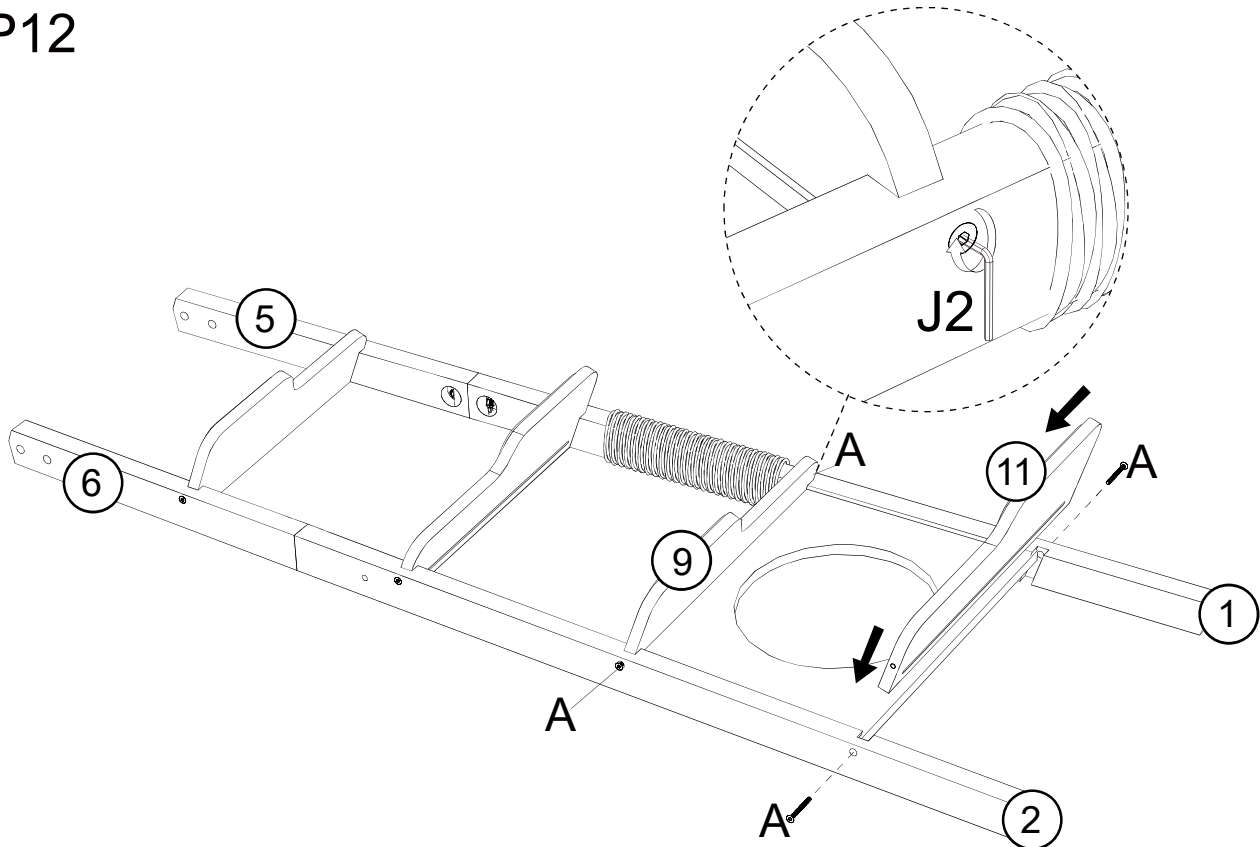
STEP11



Insert Part #9 into the groove as shown in the diagram. Use Screws Ax2 to connect Part #1, Part #2, and Part #9, but do not tighten them completely. Insert Part #10 into the groove. Note: Part #10 has a trapezoidal shape with sloped surfaces on both top and bottom. It has specific orientation requirements. When oriented correctly, after inserting Part #10 into the slot, it should fit snugly and be fully aligned with Part #9.



| | |
|---|----|
| A | x2 |
|  | |
| Ø 6×50mm | |

STEP12

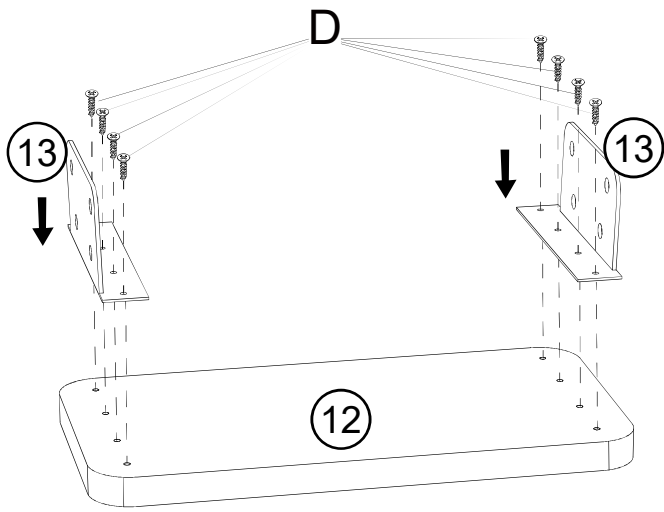


Insert Part #11 into the groove, use Screws Ax2 to connect Part #1, Part #2 and Part #11 as shown. Tighten all Screws A.


Note: If Part #11 cannot be inserted into the groove due to the excessive length of Part #10, please return to Step 5 and carefully read the instructions. Check the installation orientation of Part #10 for any issues.

| | | | |
|---|----|---|----|
| A | x2 | J2 | x1 |
|  | |  | |
| Ø 6×50mm | | | |

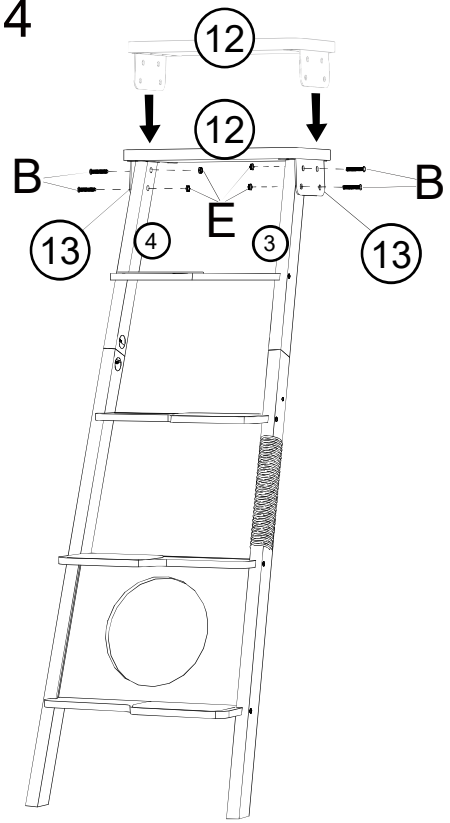
STEP13




Install Part #13x2 onto Part #12 using Screws Dx8 as shown.


| | |
|---|----|
| D | x8 |
|  | |
| Ø3×12mm | |

STEP14

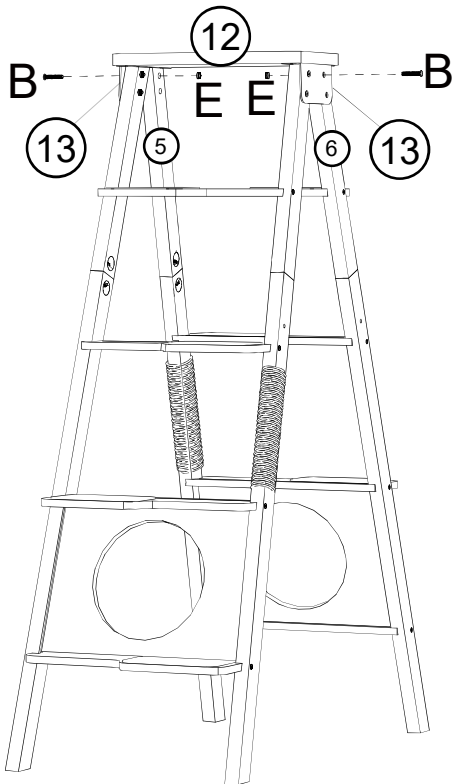


Connect the Part #13 and Part #3 and Part #4 as shown using Screws Bx4 and Nut Ex4.


| | |
|--|----|
| B | x4 |
|  | |
| Ø6×40mm | |


| | |
|---|----|
| E | x4 |
|  | |

STEP15

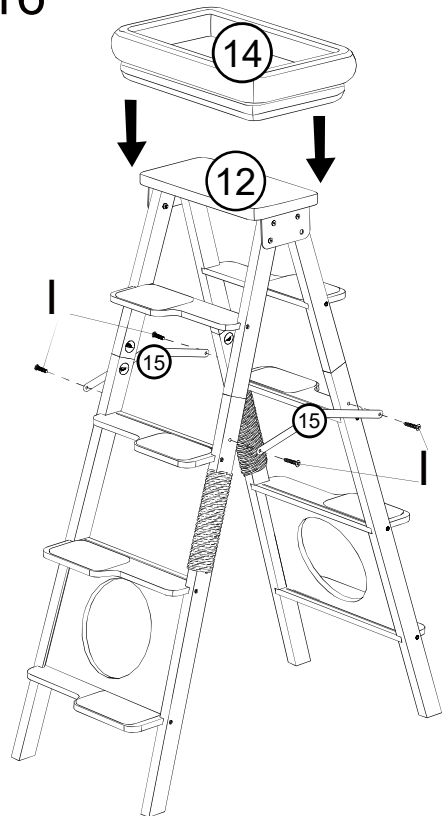


Connect the Part #13 on top of Part #5 and Part #6 using Screws Bx2 and Nut Ex2 through the holes as shown.


| | |
|---|----|
| B | x4 |
|  | |
| Ø6×40mm | |

| | |
|---|----|
| E | x4 |
|  | |

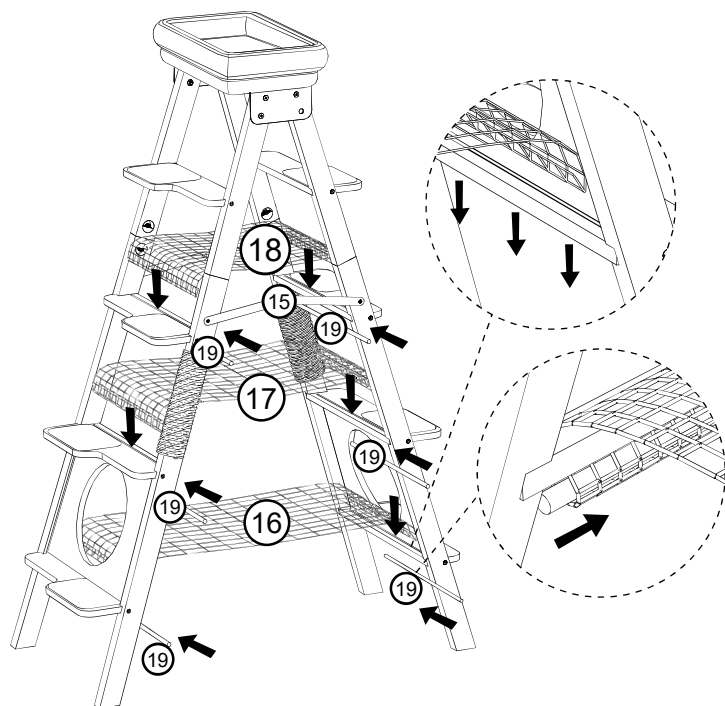
STEP16



Place the Part #14 onto Part #12. Use Screws Ix4 to connect Part #15 to the concealed holes on the wooden legs (Part #1 and Part #2). During installation, it is easier to install Part #15 while keeping it in a bent state.

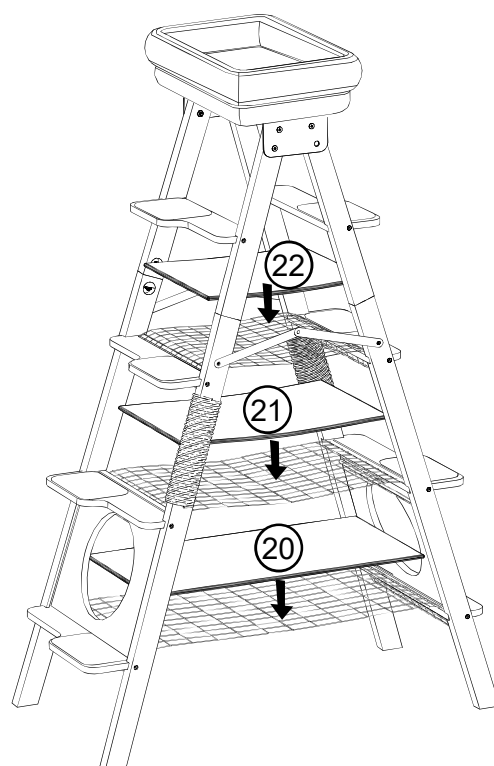
| | |
|---|----|
| I | x4 |
|  | |
| Ø3×16mm | |

STEP17



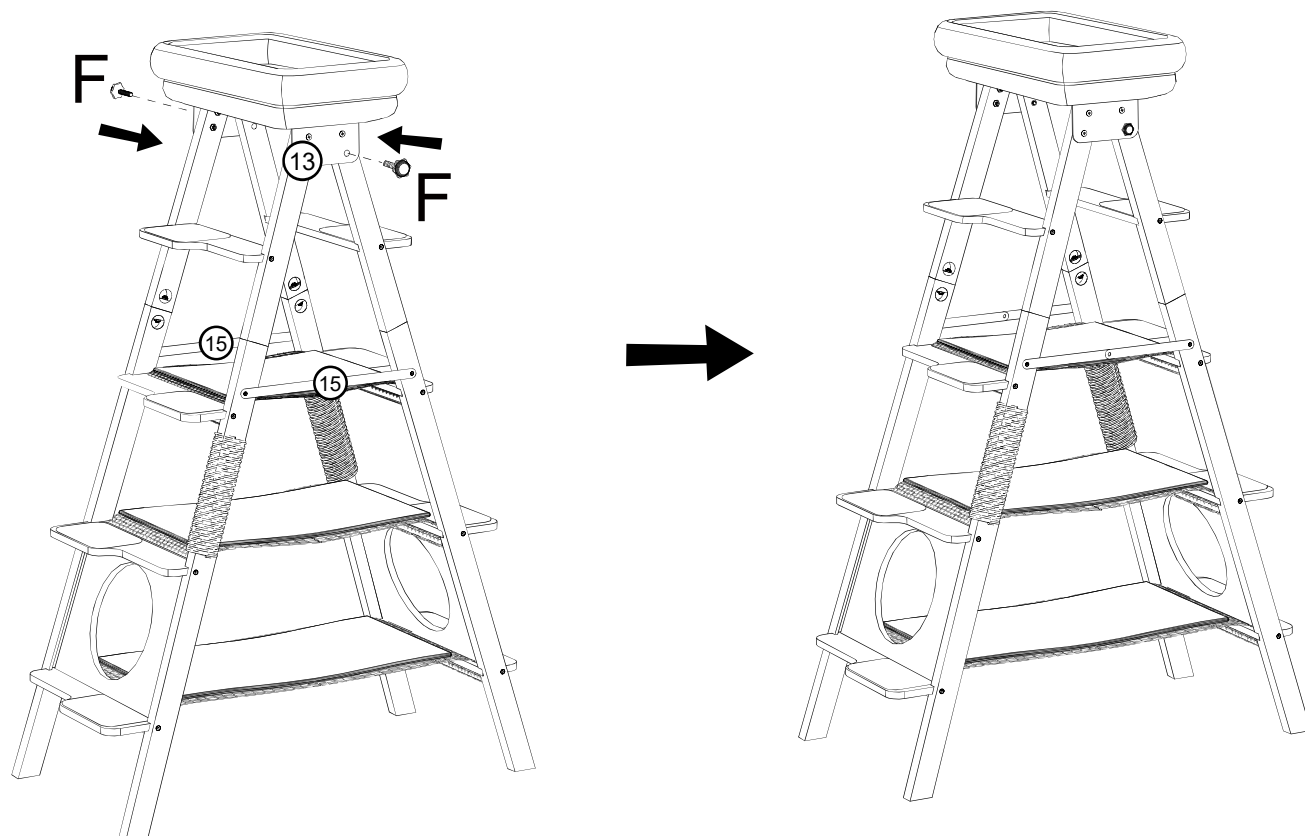
Thread both ends of Part #16 through the slots on the bottom pedal (Part #11), then insert Wooden Stick Part #19 into Part #16 as shown. Similarly, follow this method for Part #17 and Part #18. You can fold Part #15 to shorten the distance between the two legs, which will make this step easier to install.

STEP18




Place Part #20, Part #21 and Part #22 on the net surface as shown.

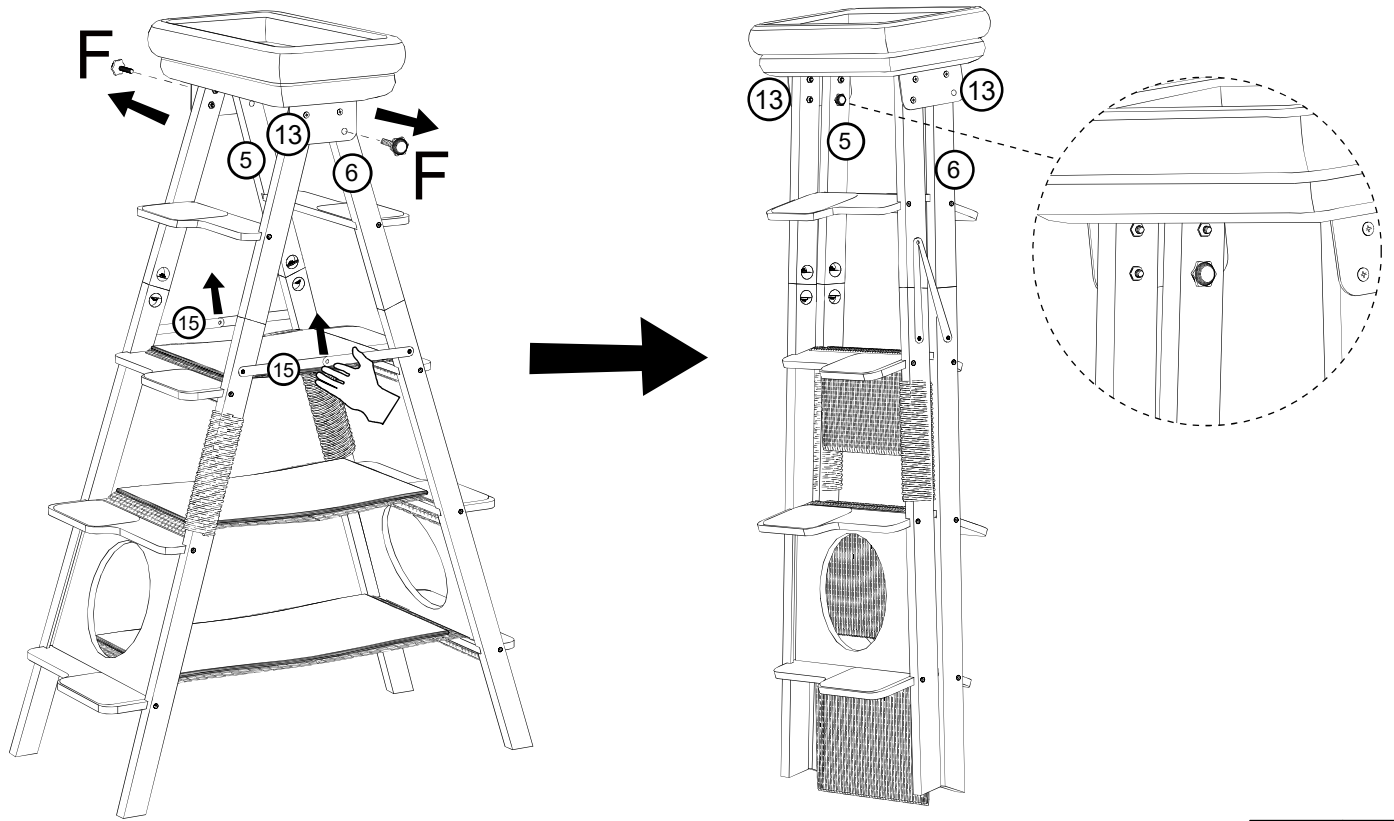
STEP19



Open the left and right wooden legs to their maximum extent. Press down the pull rod (Part #15) downwards until it is completely horizontal, as shown in the diagram. Screw in Screws Fx2 (in this state, the product cannot be folded).

| F | x2 |
|---|----|
|  | |
| Ø6x25mm | |

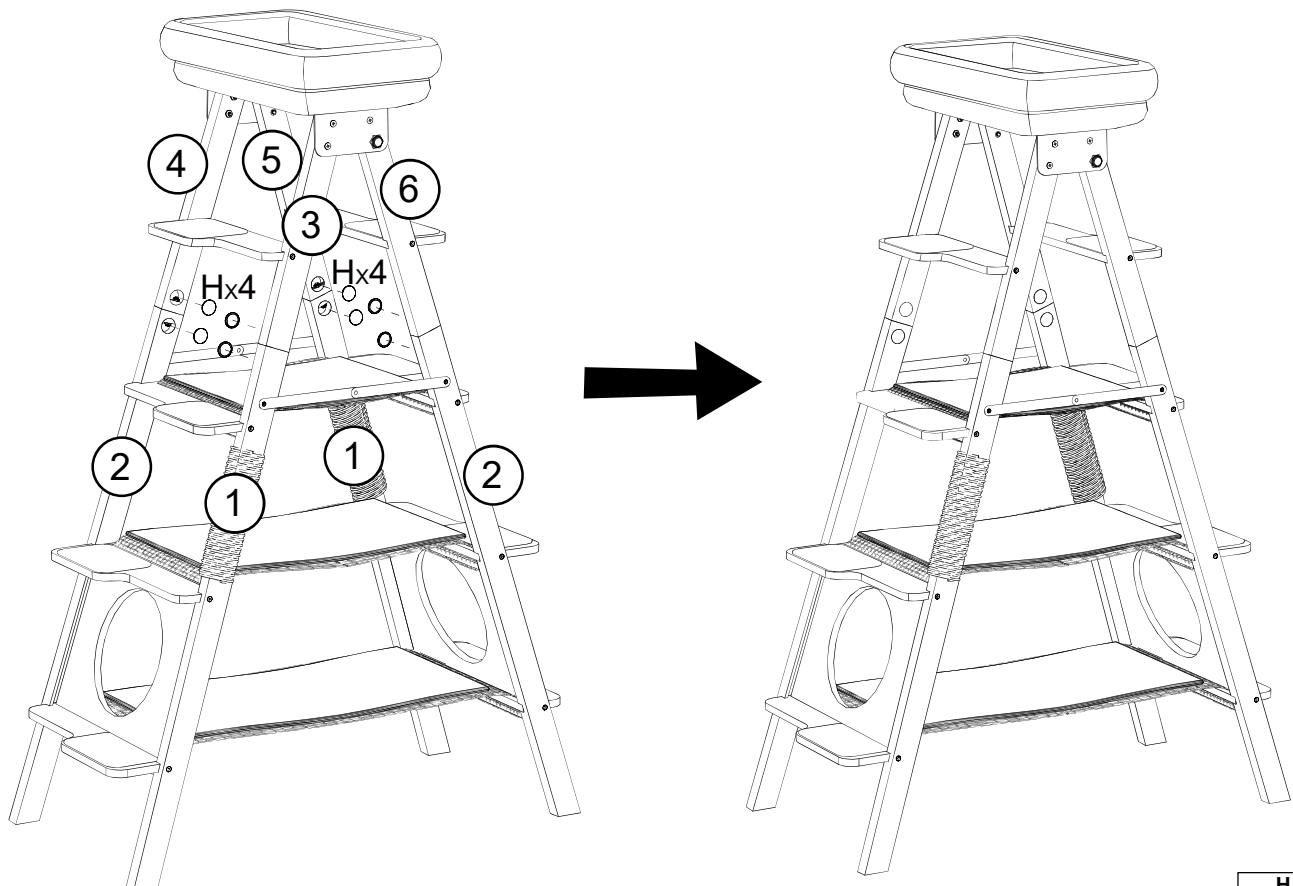
STEP20



When folding the product, unscrew Screws Fx2, insert it into the hole at the back, and gently lift the Pull Rod (Part #15) x2. Then, fold the left and right wooden legs together.

| | |
|---------|----|
| F | x2 |
| | |
| Ø6x25mm | |

Optional STEP21

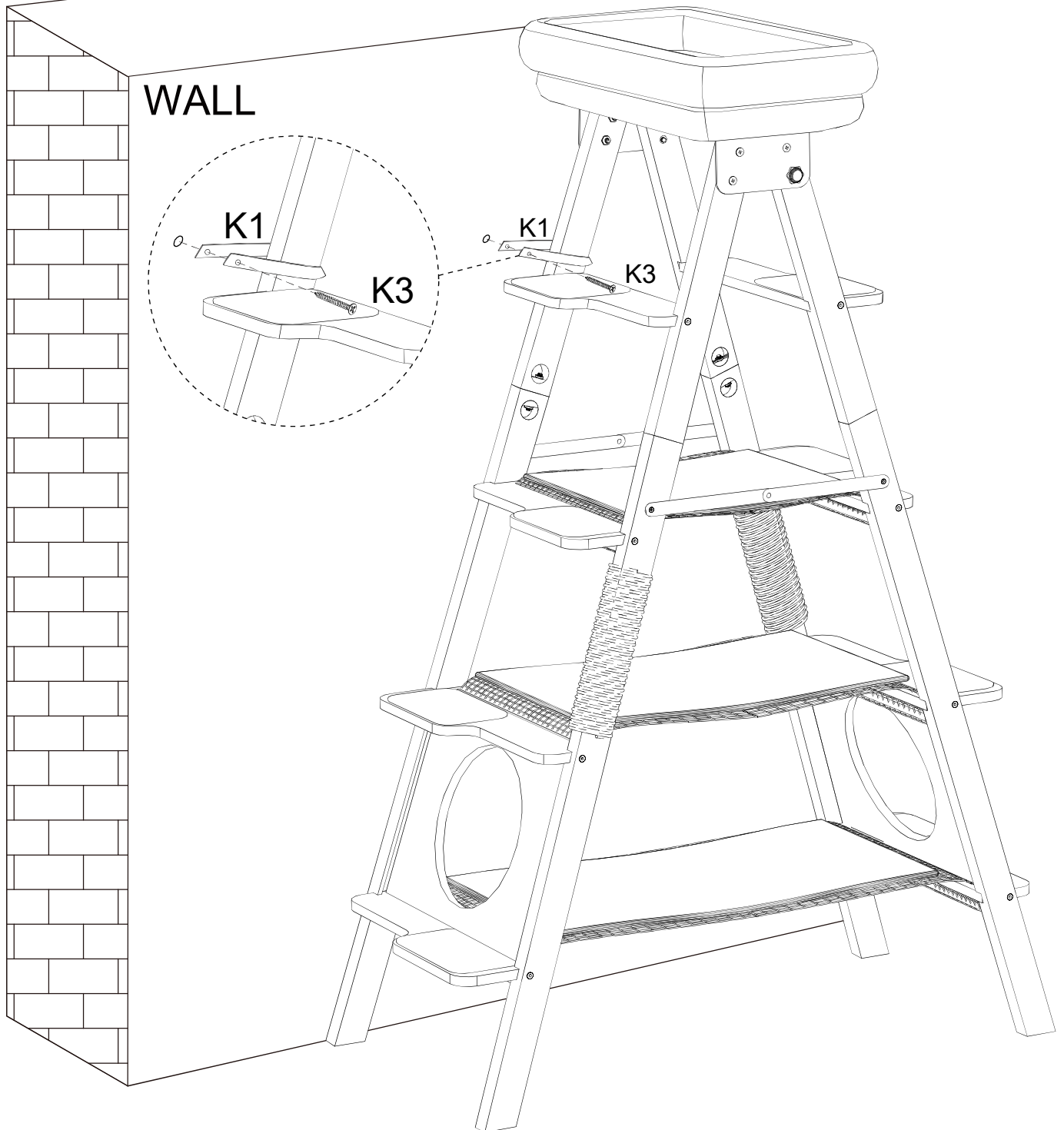
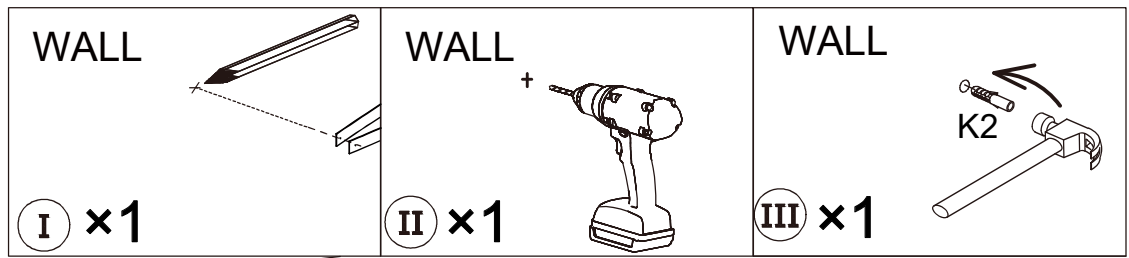





The product comes with white circular plastic buckles (Part H) as complimentary accessories. Users can choose to install them based on aesthetics. Installation is as simple as gently inserting them into the holes.

| | |
|---|----|
| H | x8 |
| | |

Optional STEP22

Punch holes in the wall and install anti-rewind tape according to the pictured steps.



| K | | x1 |
|---|---|---|
|  |  |  |
| K1 | K2 | K3 |