

WARRANTY INFORMATION

- Do not expose the surfaces to direct sunlight or to extreme environmental conditions.
- Clean the surfaces preferable with a clean damp cloth, then dry with a clean towel.
- Do not use solvents or abrasive materials to clean the unit. If you decide to use a cleaning agent, test first on an area hidden from view.
- Do not use solvents or abrasive materials to clean the unit. If you decide to use a cleaning agent, test first on an area hidden from view.
- Replacement parts might be available to you at no charge, with an original proof of purchase and where a defect has arisen, wholly or substantially, as a result of faulty manufacturing, parts or workmanship during the Warranty Period.
- The warranty does not extend to regular wear and tear, nor the manufacturer assumes liability for damages or consequences due to accidents, incorrect assembly, negligence, improper use, modifications, or not heeding the above warnings.

Thank you so much for your support! We hope you enjoy your purchase. If there is any damage or missing accessories, please feel free to contact us for free replacement or refund.

your order number, we will try our best to solve this problem for you!

Thank you!

TABLE OF CONTENTS

01 Warranty Information

02 Important Safety Instructions

02 Tools Needed

03 Parts List

04 Assembly

IMPORTANT SAFETY INSTRUCTIONS

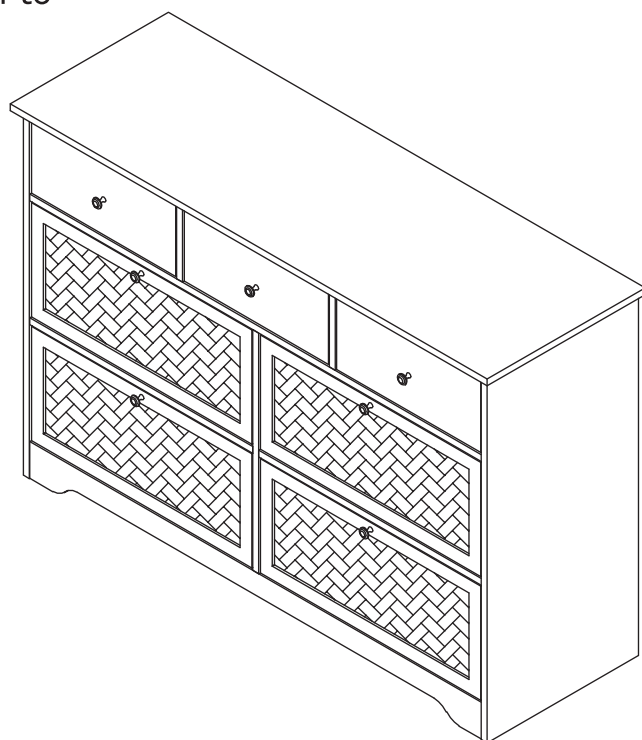
- Check if all the parts are complete before installation.
- Read through the instructions before installing the cabinet.
- Keep the small parts away from children to avoid the risk of swallowing.

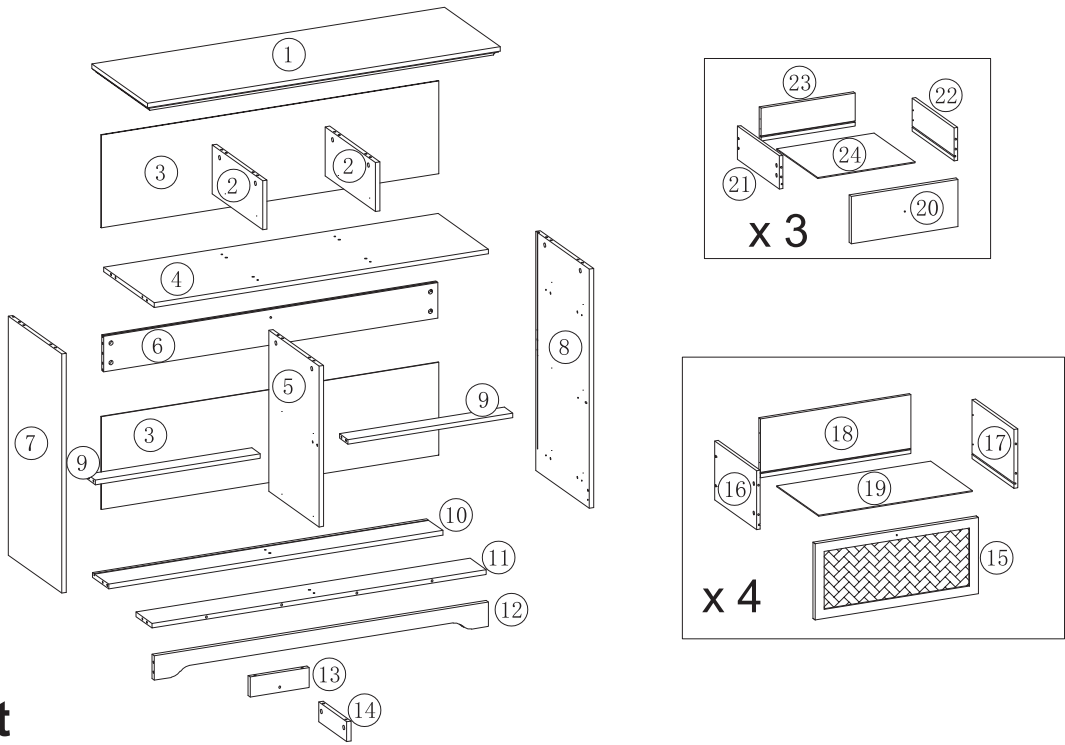
TOOLS NEEDED

Screws Driver -1PC



(Not included)



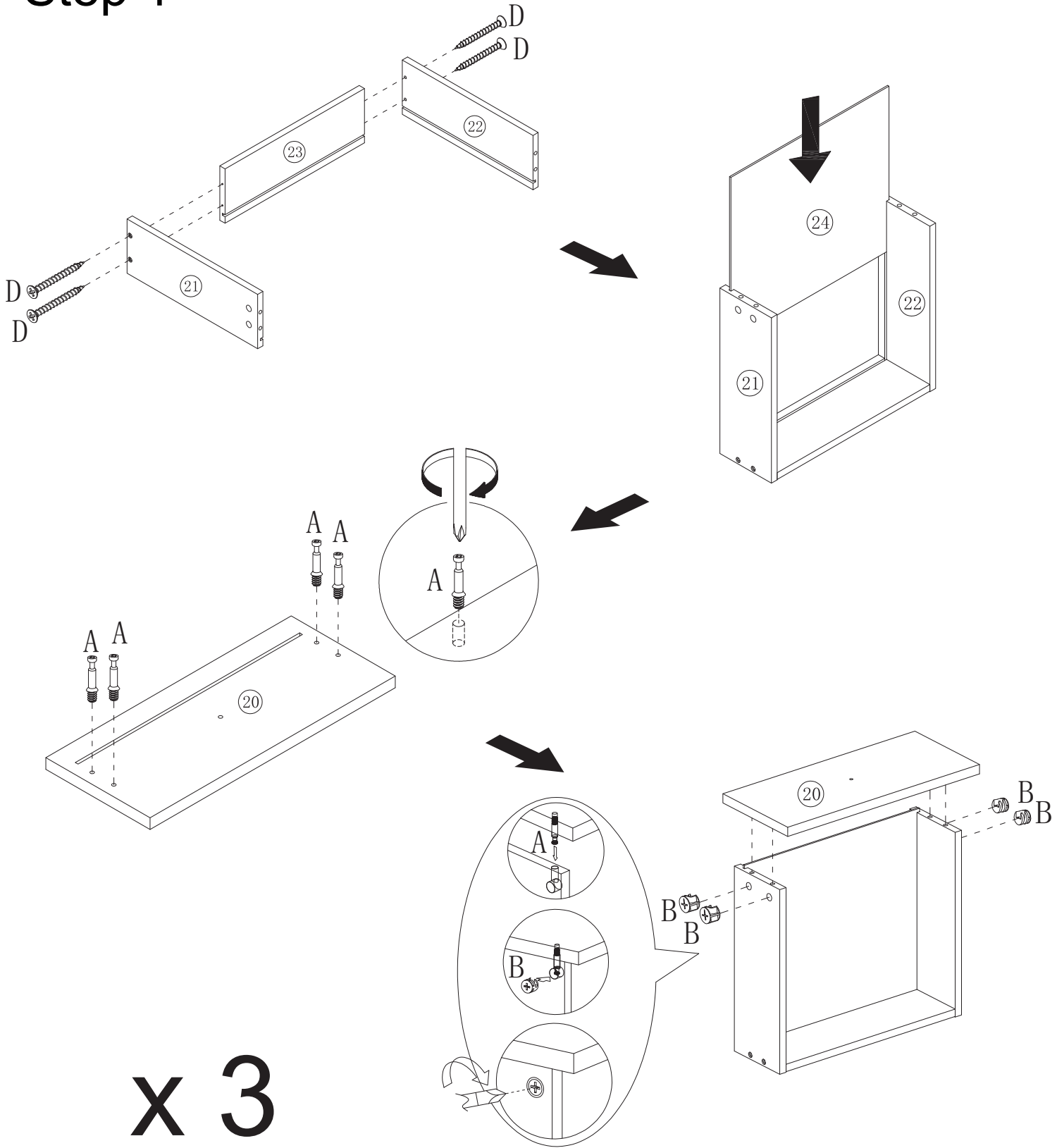


Parts List

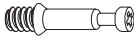

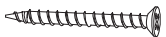
1 x 1	2 x 2	3 x 2	4 x 1	5 x 1
6 x 1	7 x 1	8 x 1	9 x 2	10 x 1
11 x 1	12 x 1	13 x 1	14 x 1	15 x 4
16 x 4	17 x 4	18 x 4	19 x 4	20 x 3
21 x 3	22 x 3	23 x 3	24 x 3	

A x 62	B x 62	C x 32	D x 38	E x 56	F x 7	G x 7
H x 12	I x 12	J x 2	K x 2	L x 2	M x 1	CL x 7
CR x 7	DL x 7	DR x 7				

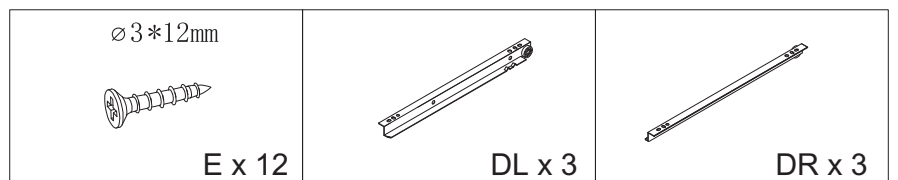
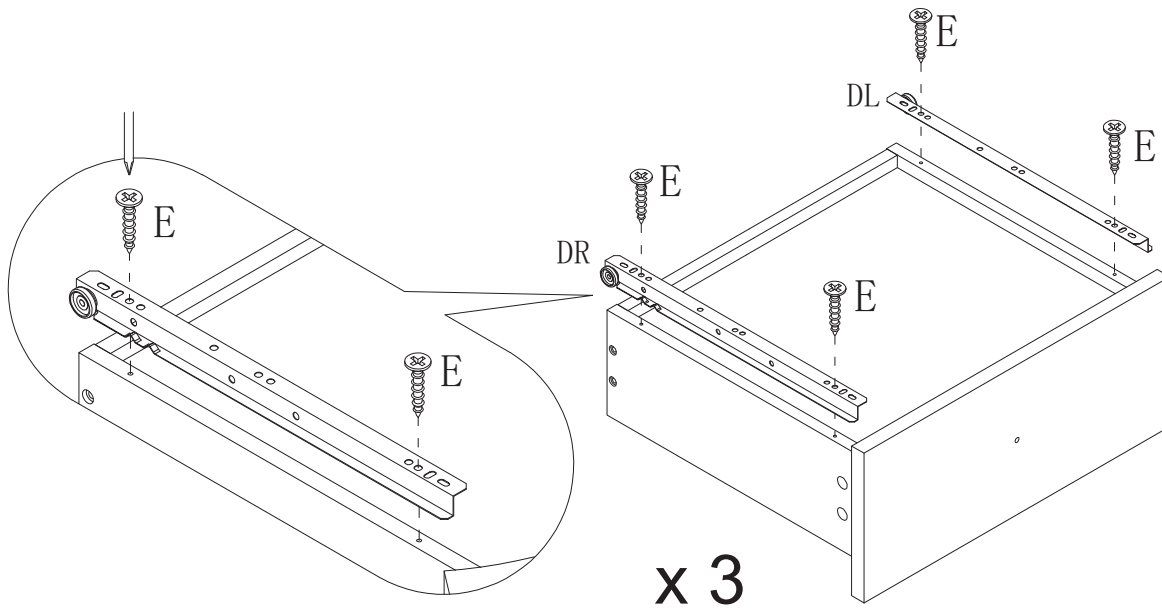
Step 1



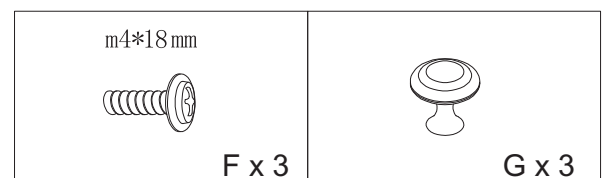
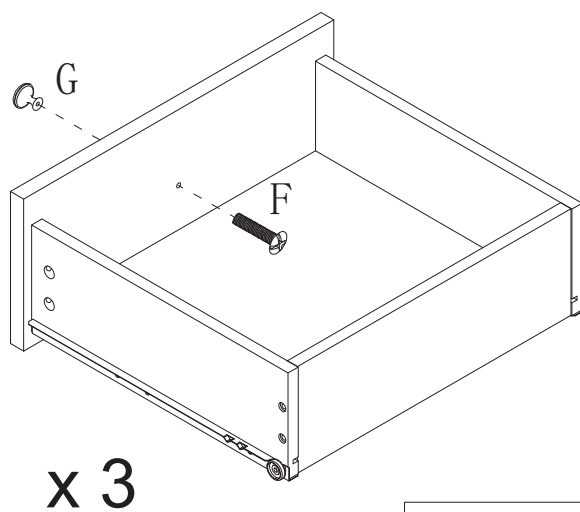
x 3

<p>∅6*35mm</p>  <p>A x 12</p>	<p>∅15*10mm</p>  <p>B x 12</p>	<p>∅4*40mm</p>  <p>D x 12</p>
--	--	--

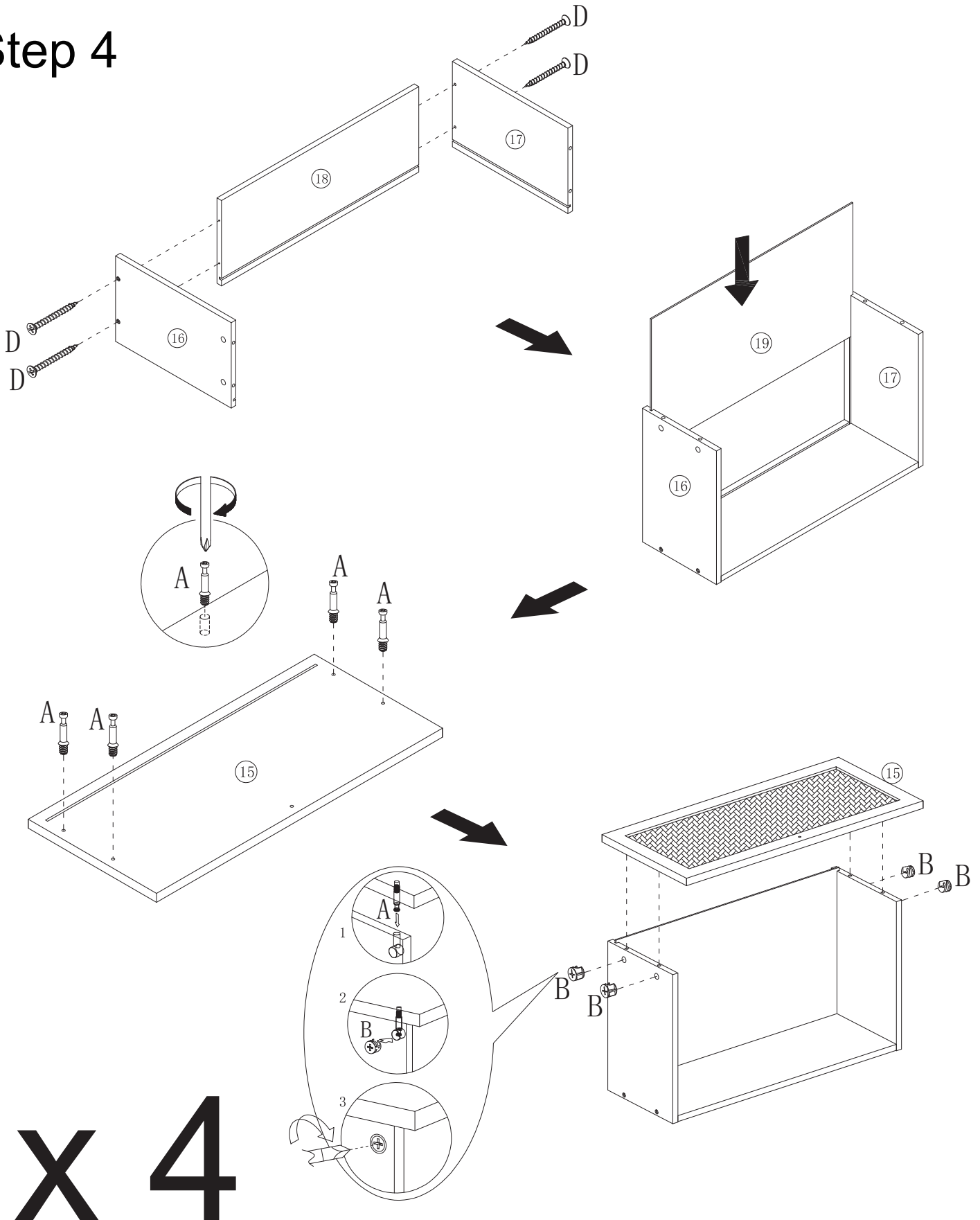
Step 2






Step 3

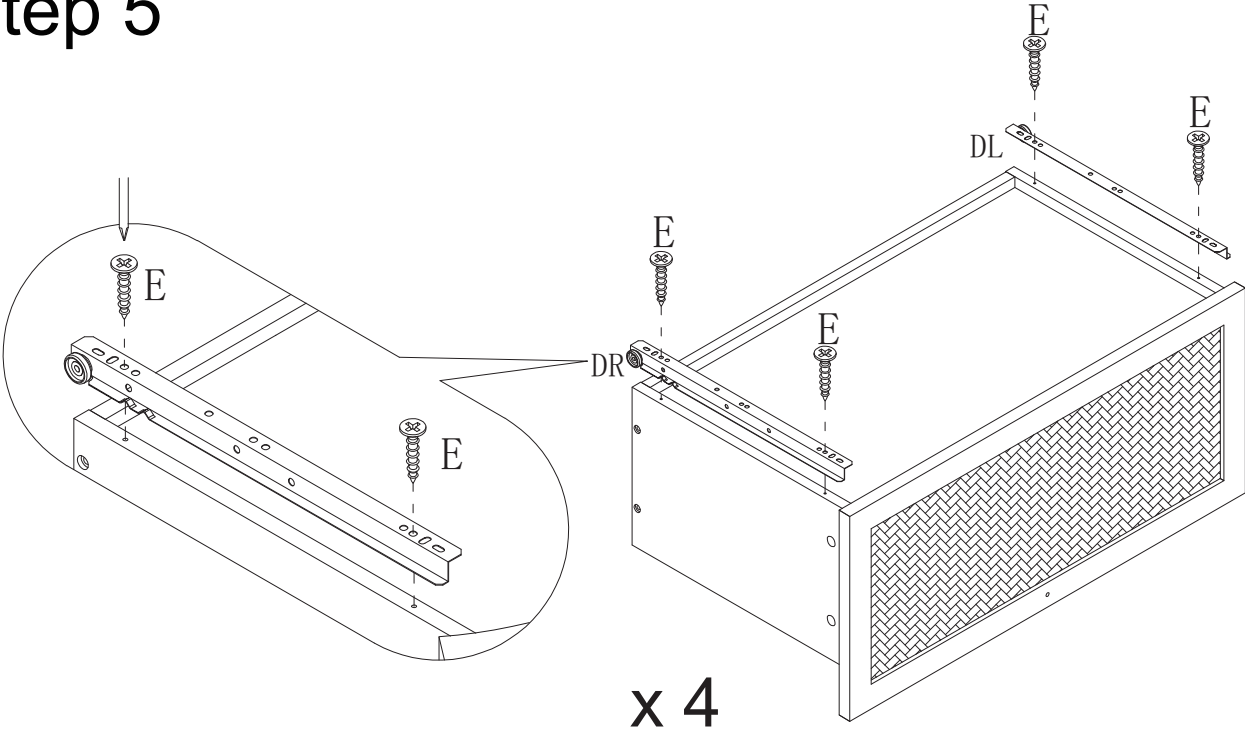


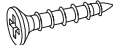
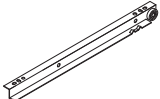
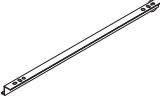
Step 4



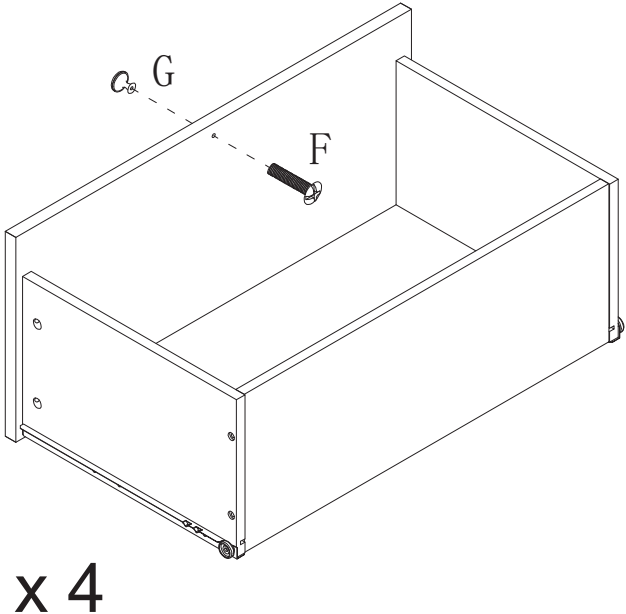
$\varnothing 6 \times 35 \text{mm}$ 	$\varnothing 15 \times 10 \text{mm}$ 	$\varnothing 4 \times 40 \text{mm}$ 
A x 16	B x 16	D x 16

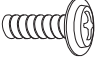
Step 5



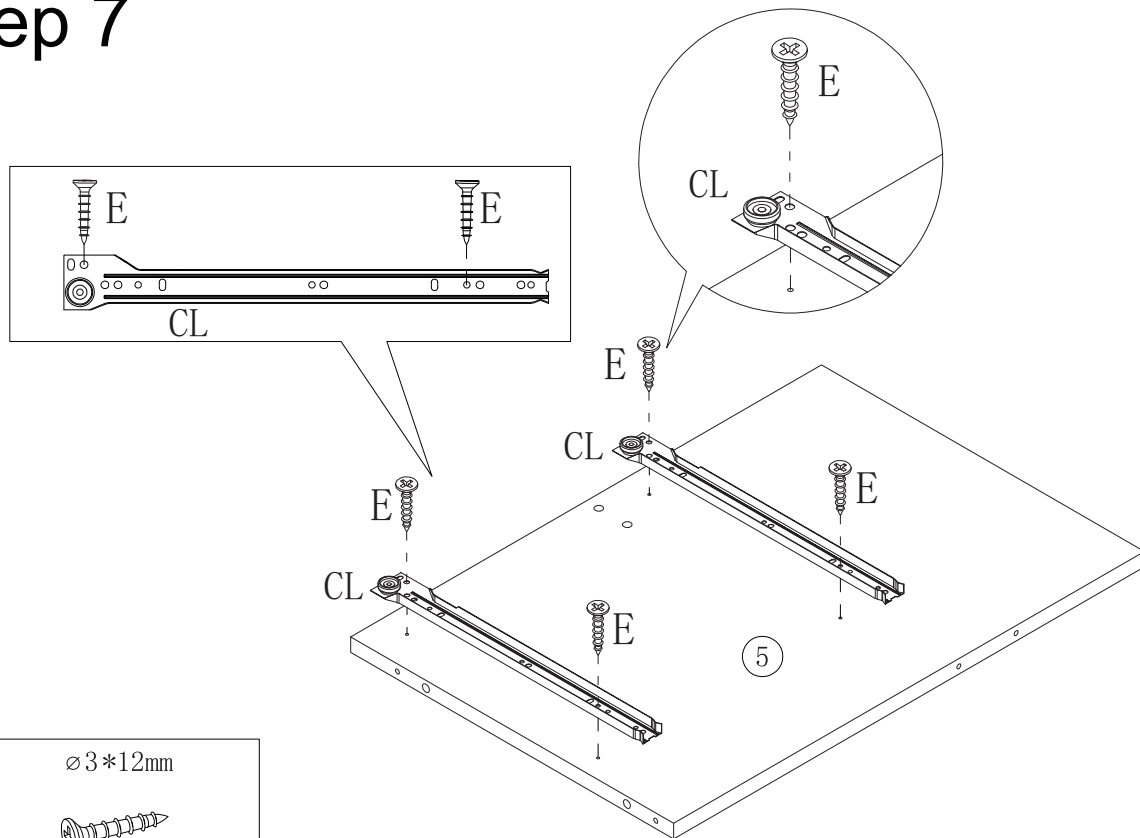
 ø 3*12mm E x 16	 DL x 4	 DR x 4
--	--	--

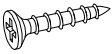
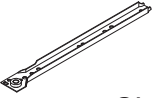
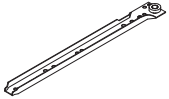
Step 6



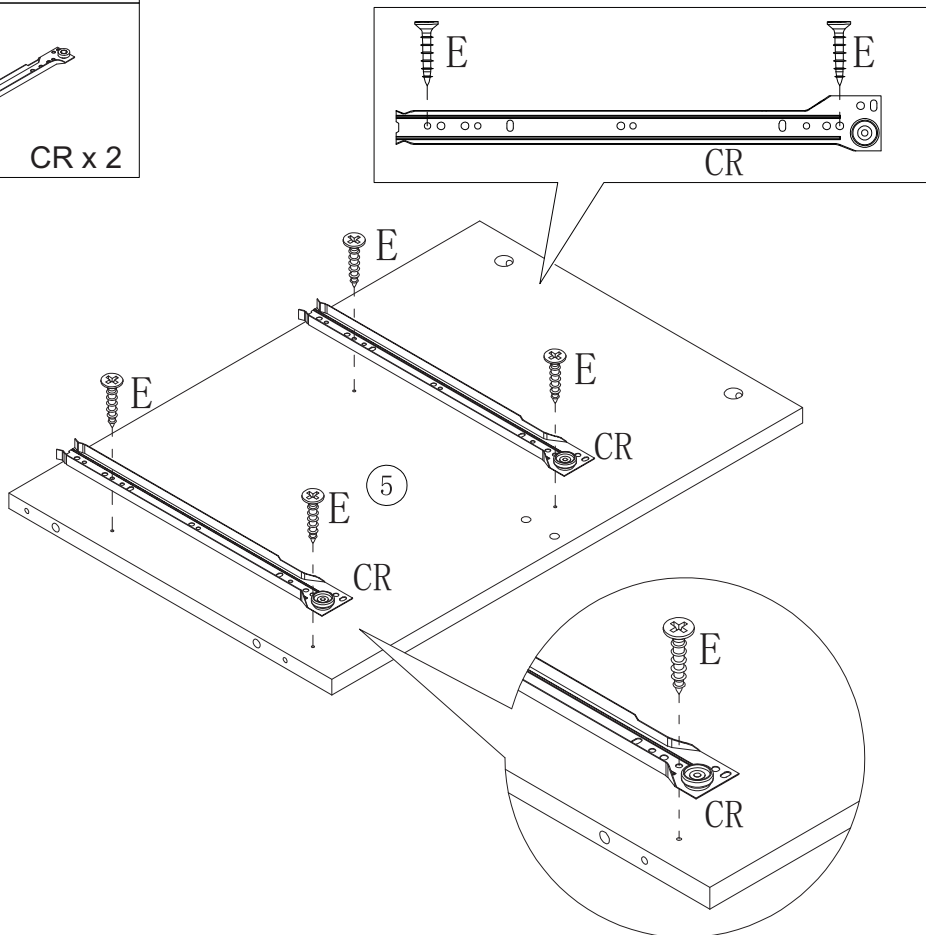
 m4*18mm F x 4	 G x 4
---	--

Step 7

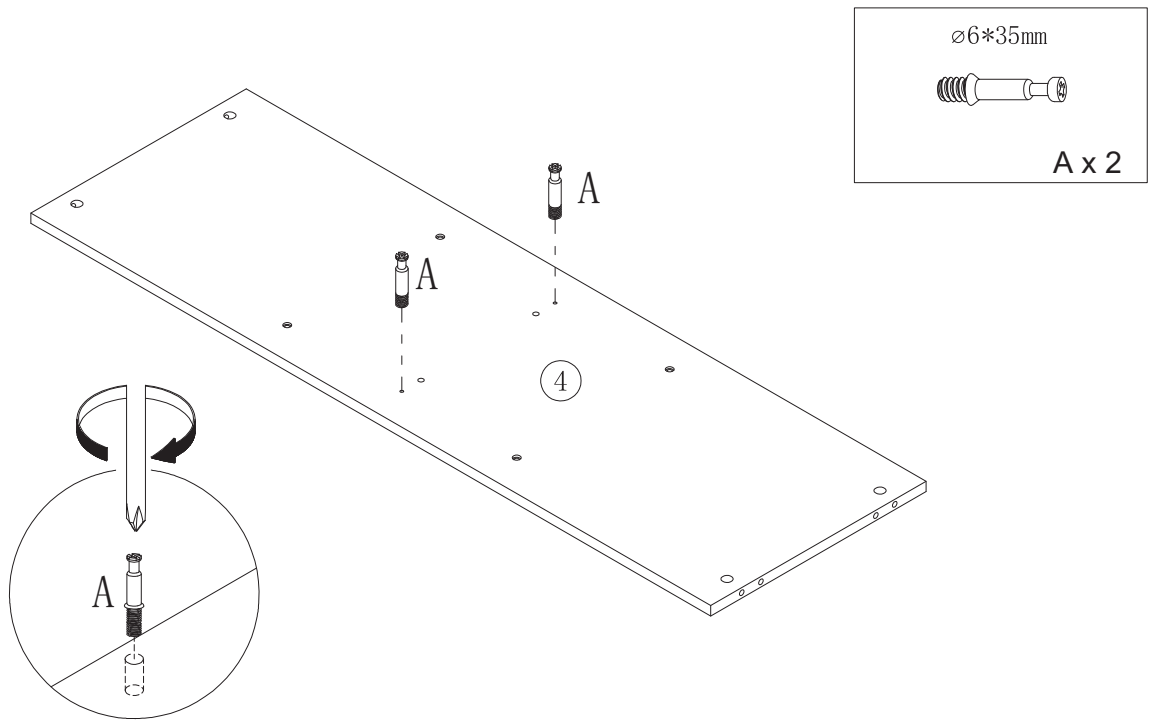


<p>ø3*12mm</p>  <p>E x 8</p>
 <p>CL x 2</p>
 <p>CR x 2</p>

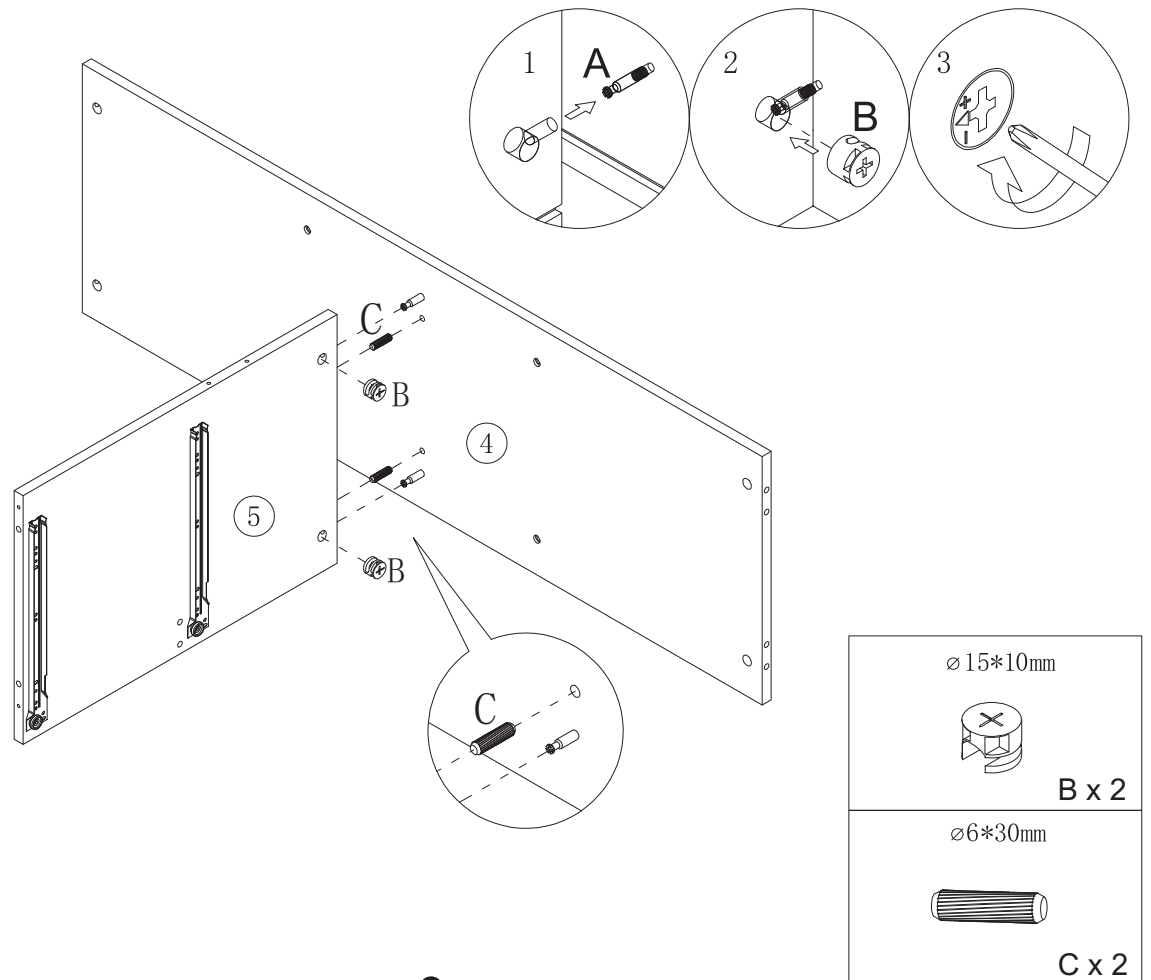
Please flip to the other side of the board.






Step 8

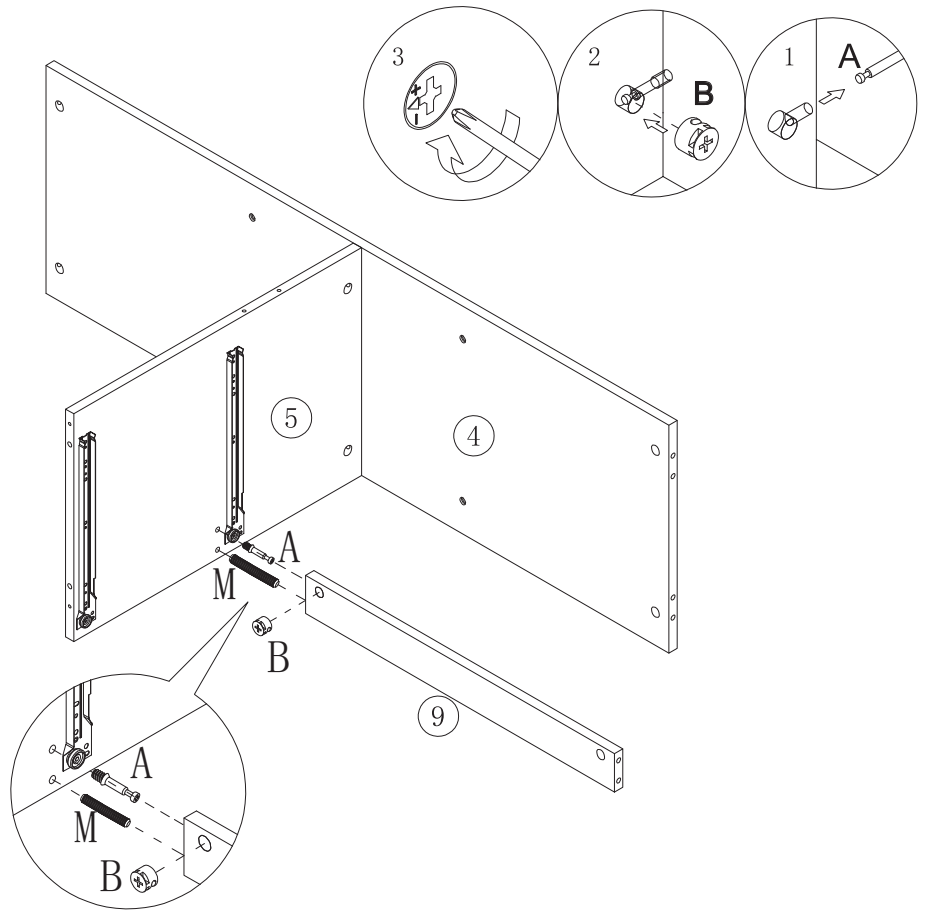


Step 9

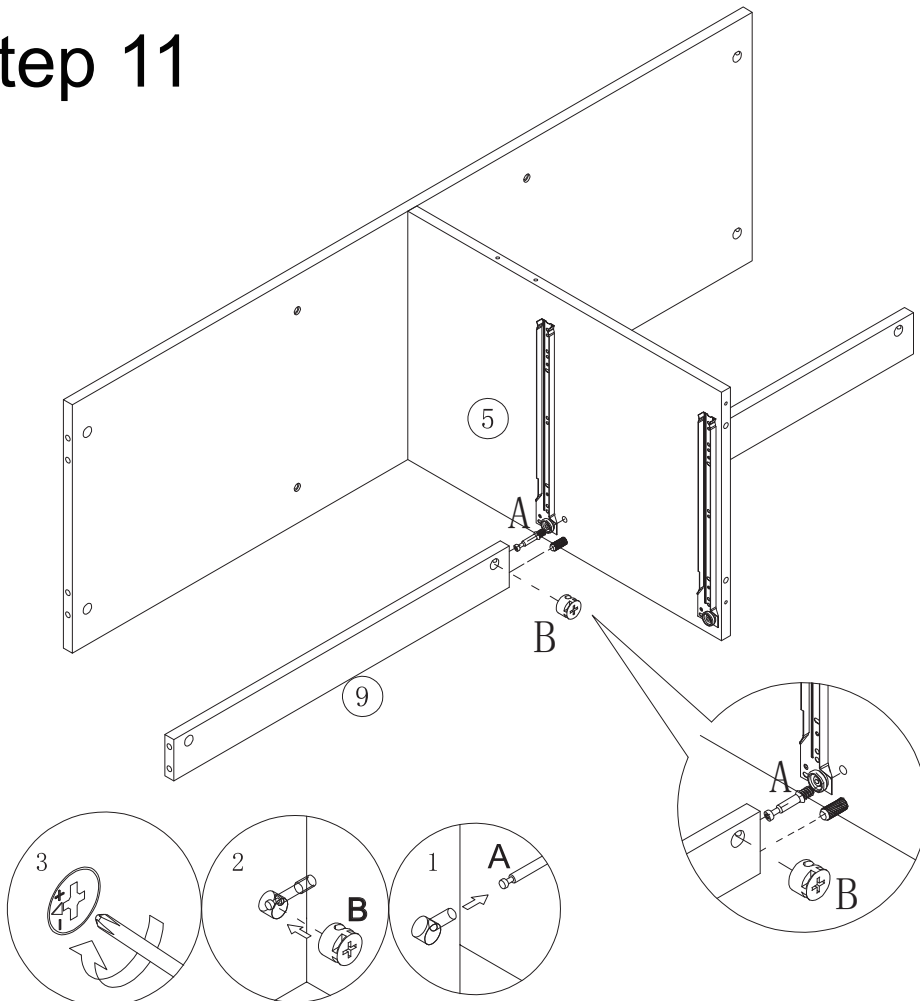




Step 10

 ø6*35mm
A x 1
 ø15*10mm
B x 1
 ø6*50mm
M x 1

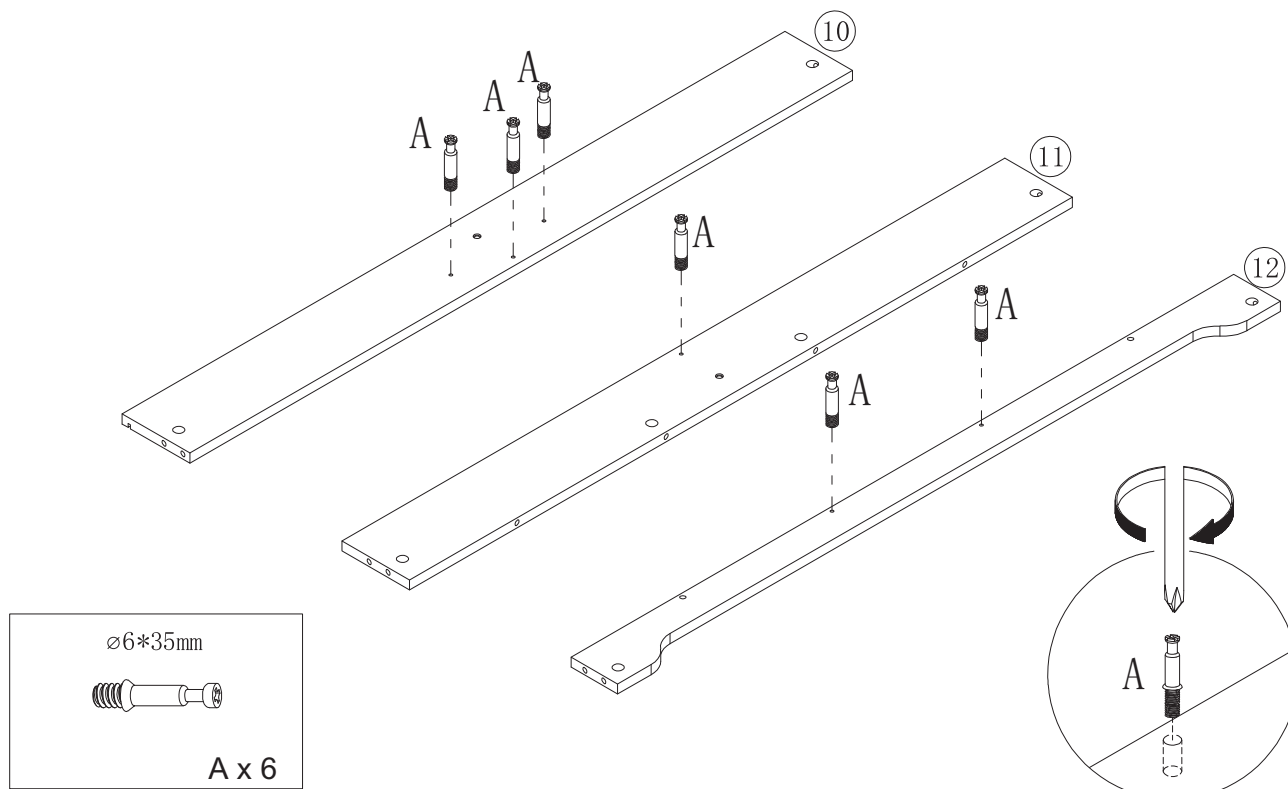


Step 11

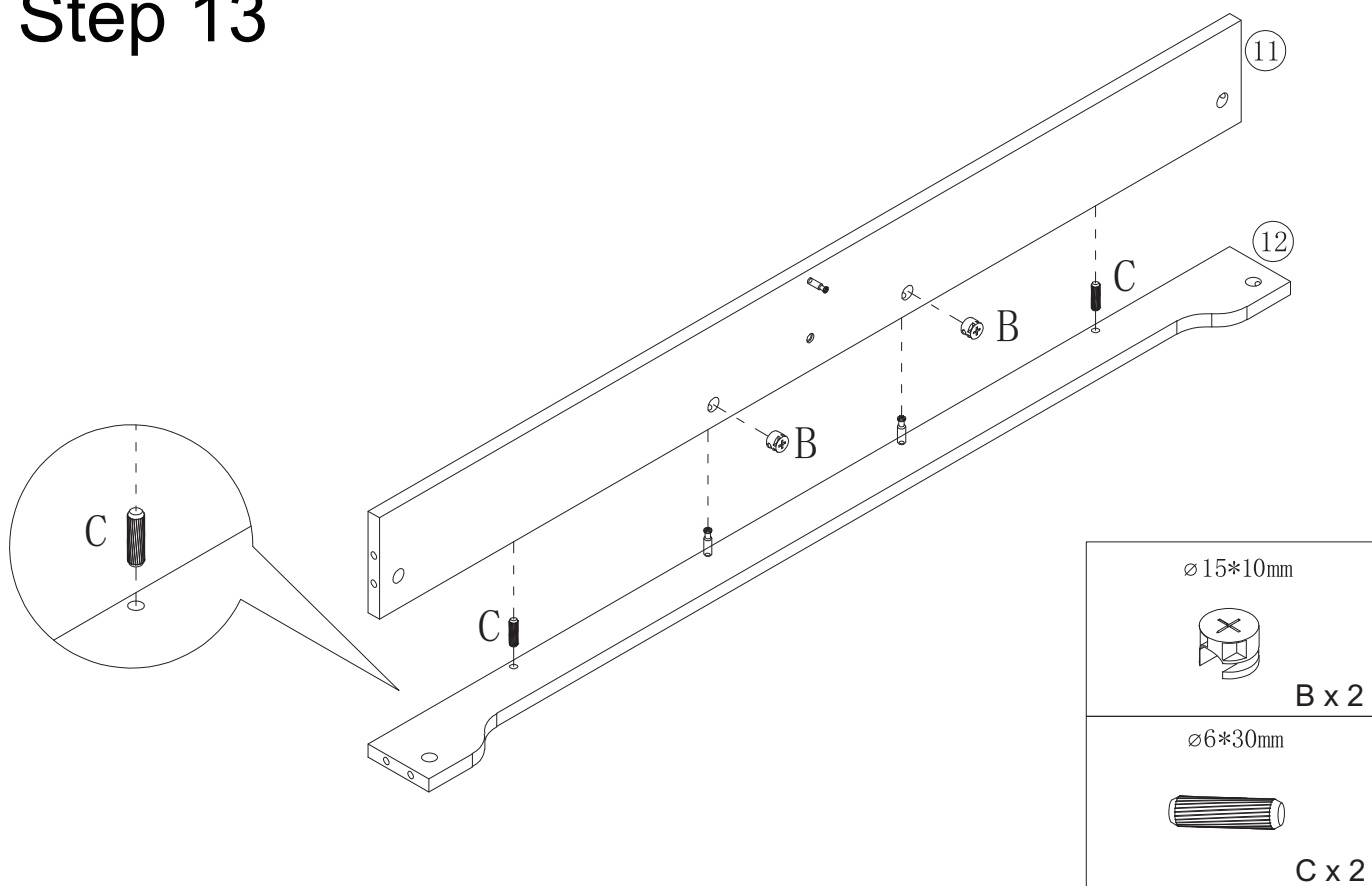


 ø6*35mm
A x 1
 ø15*10mm
B x 1

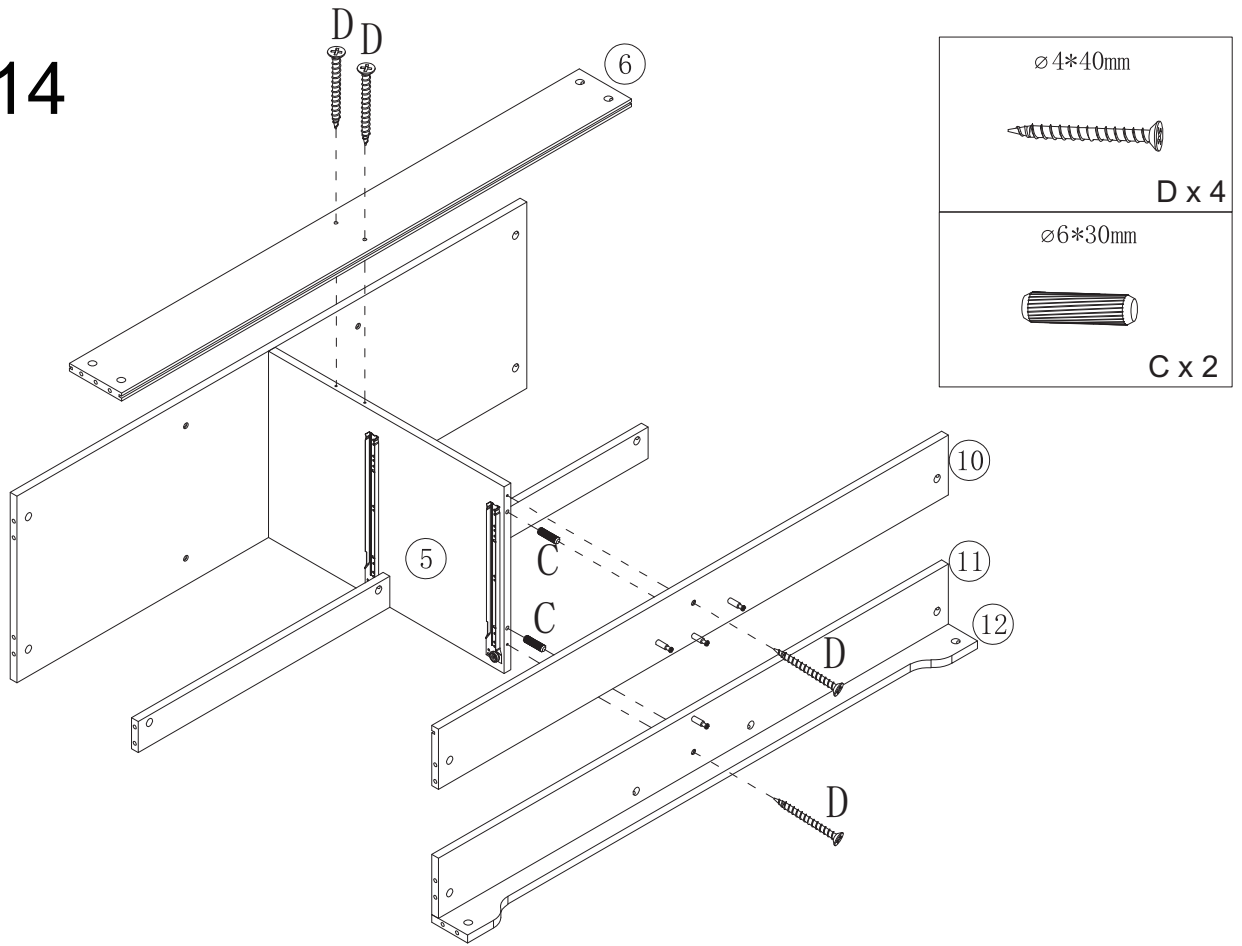
Step 12



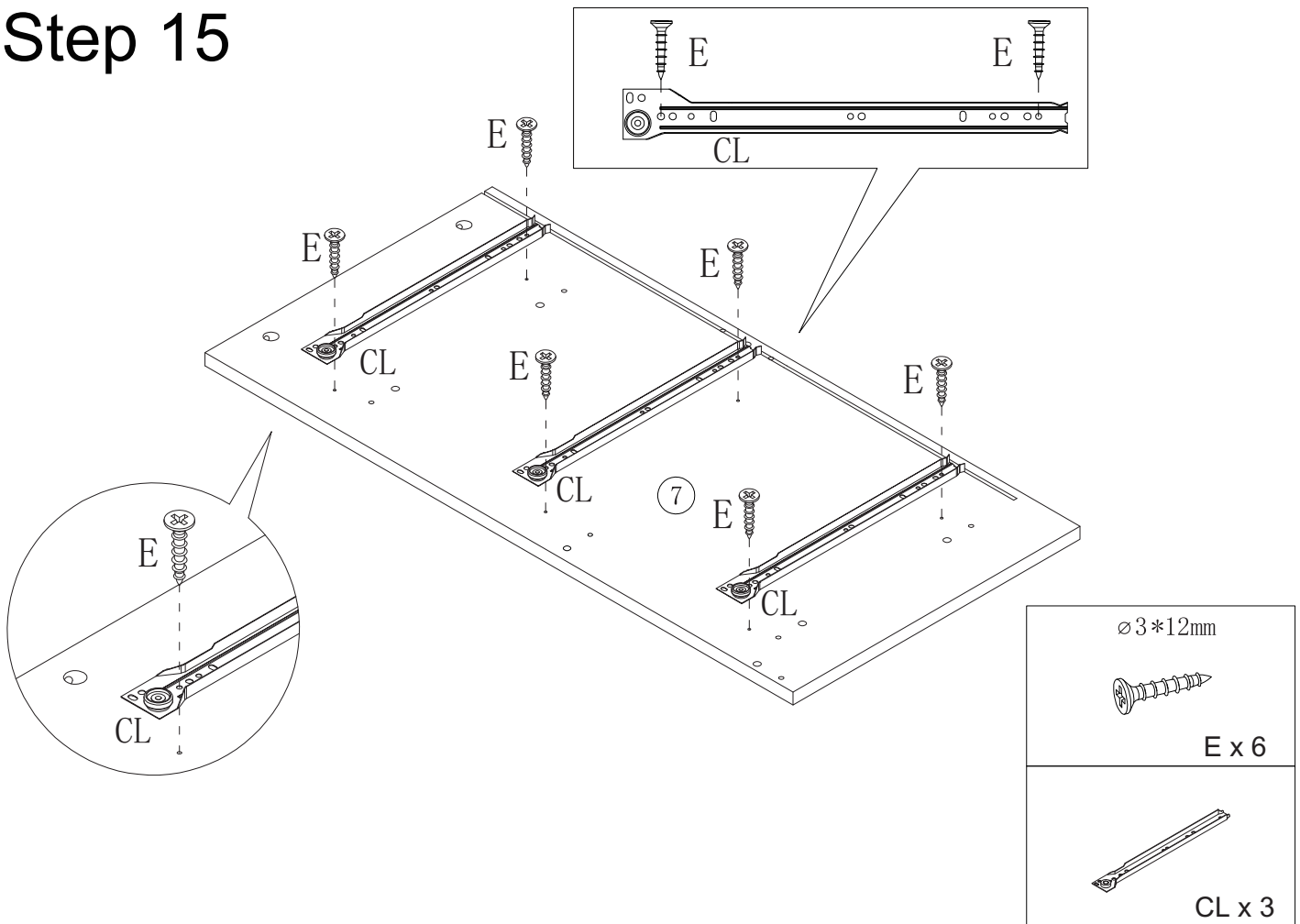
Step 13



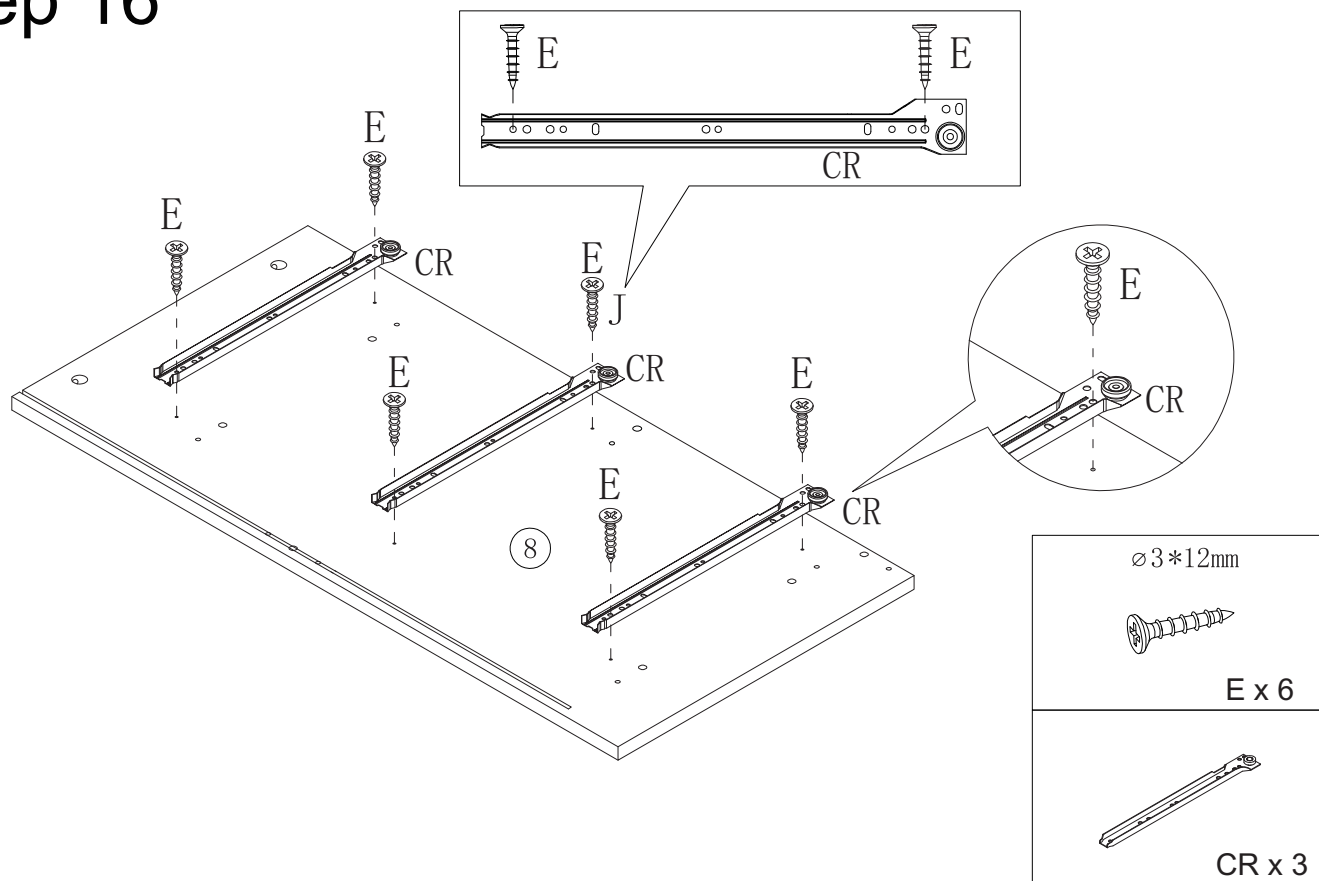
Step 14



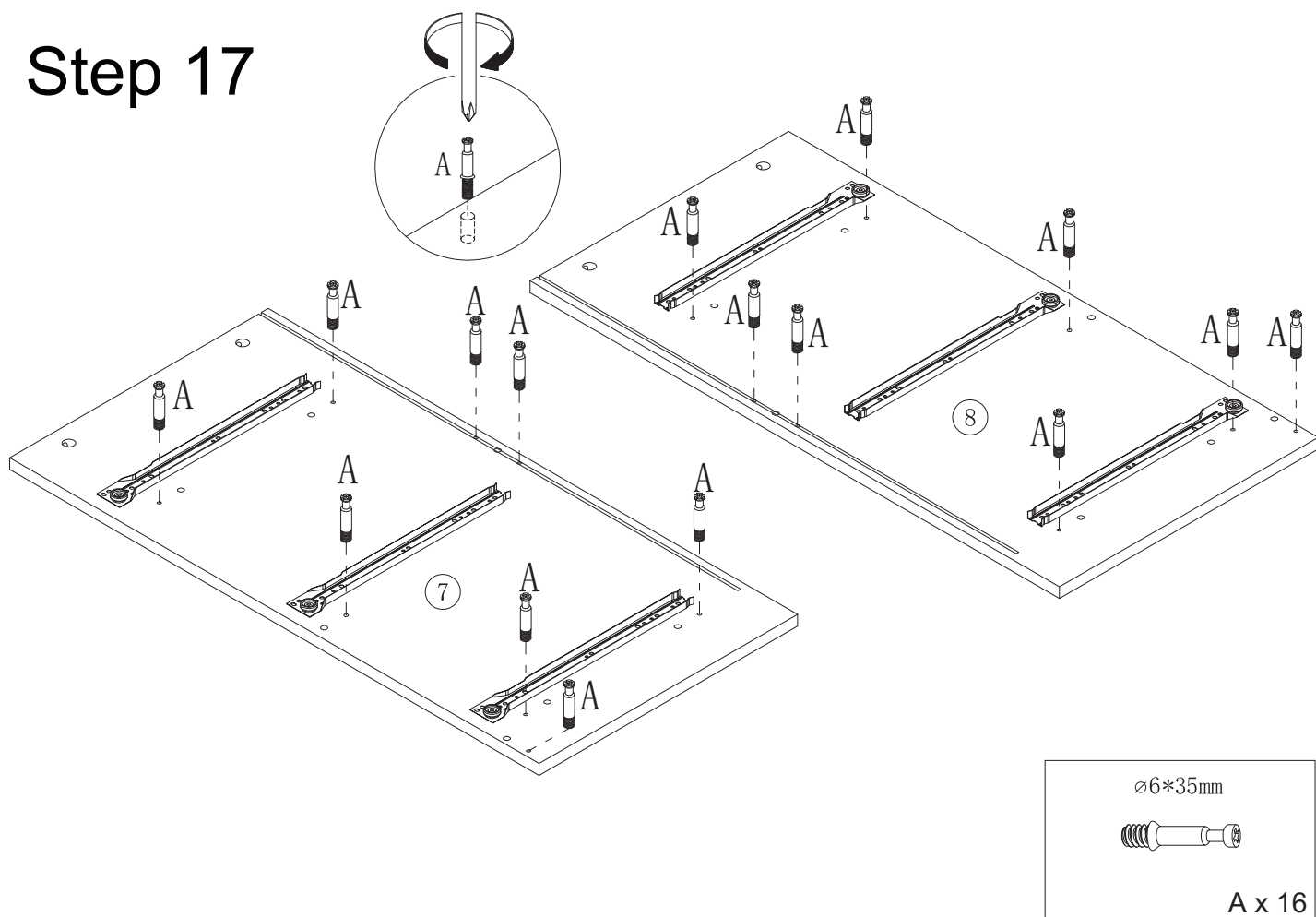
Step 15



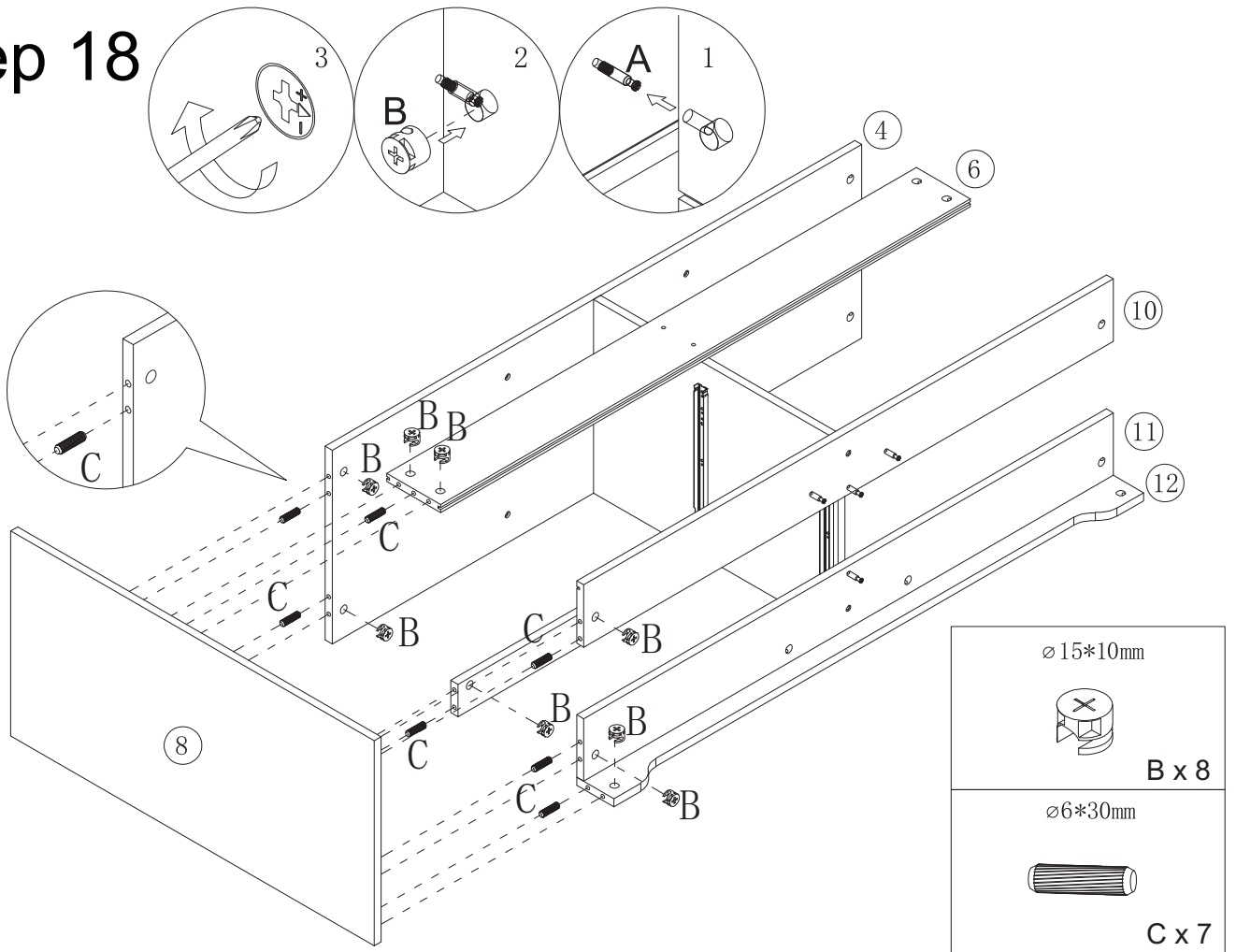
Step 16



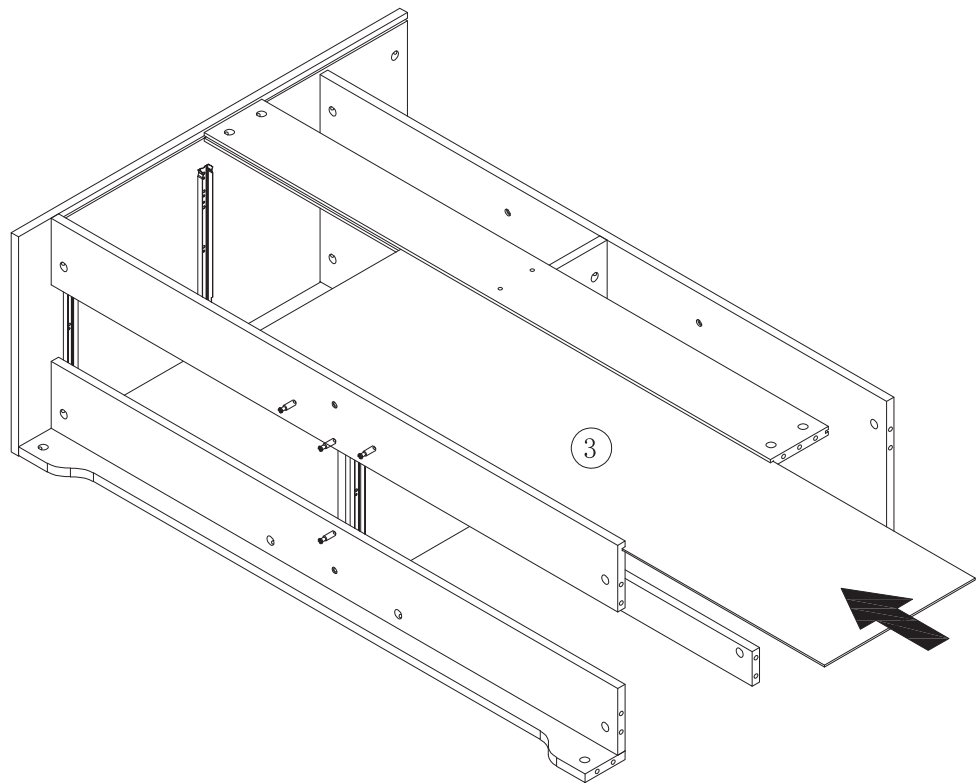
Step 17



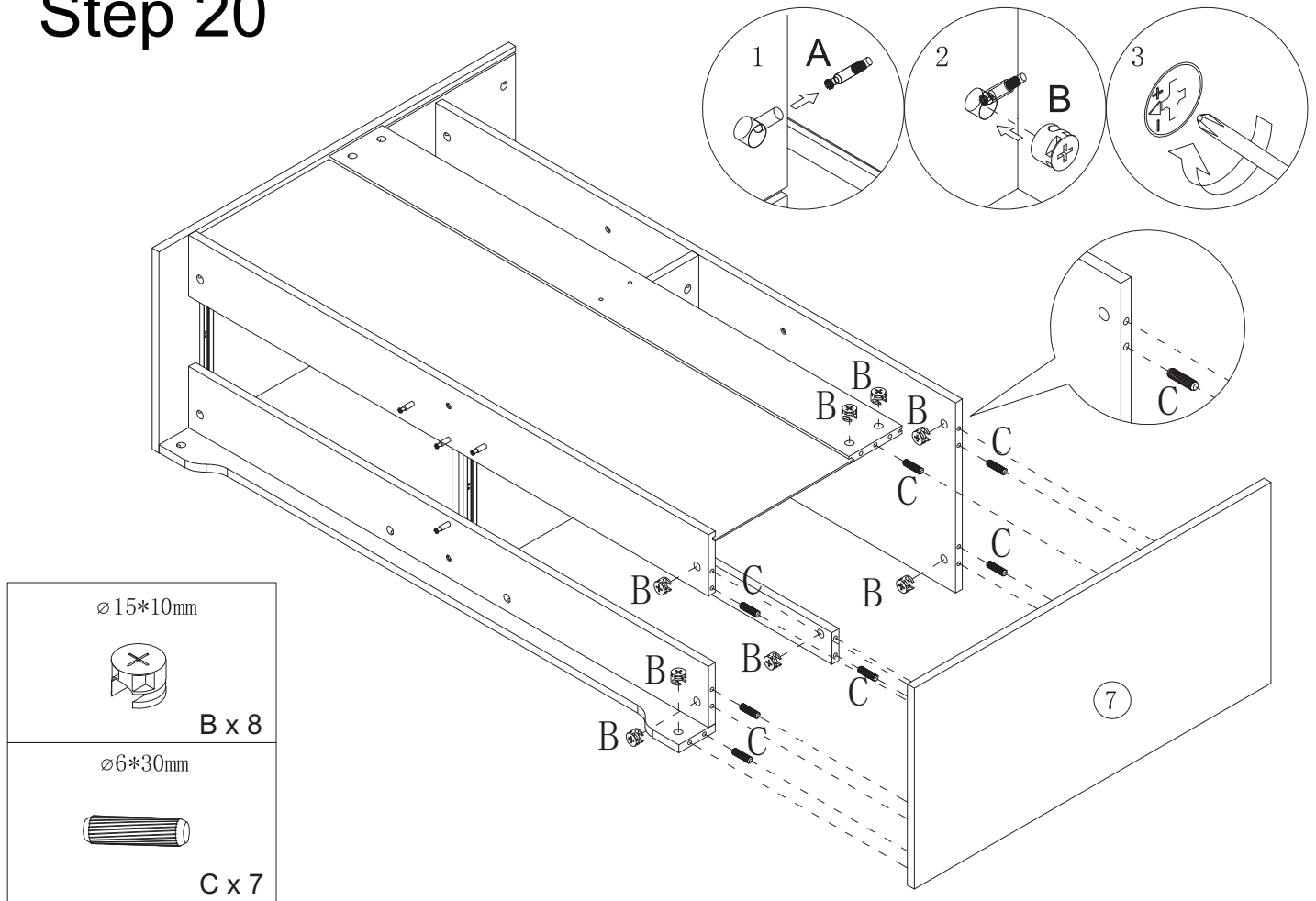
Step 18



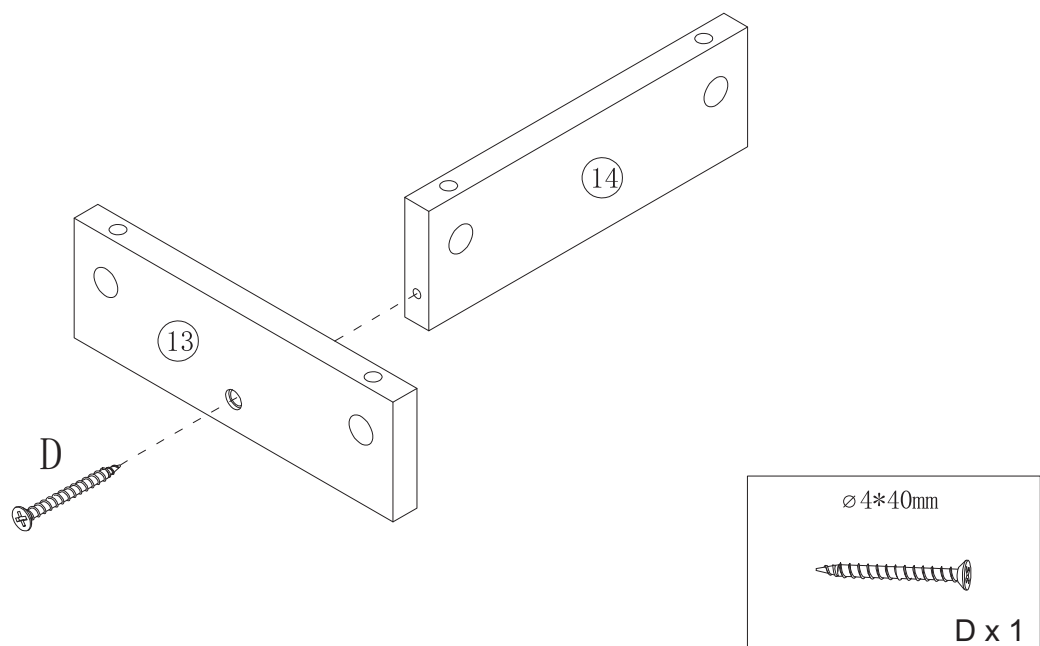
Step 19



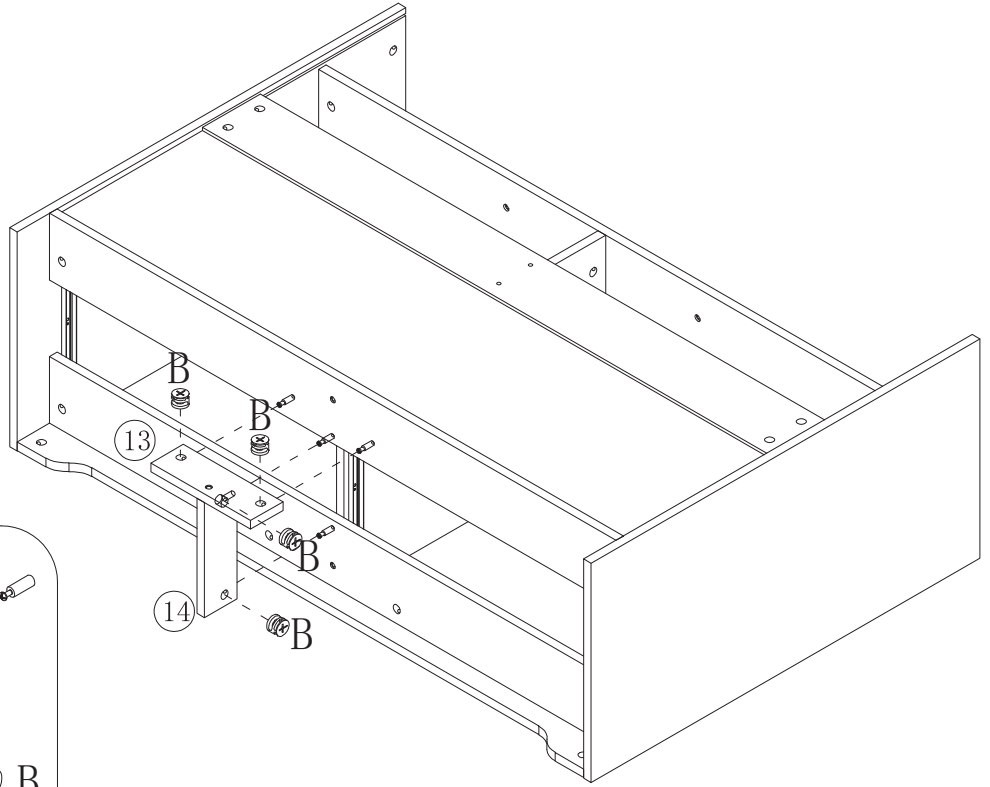
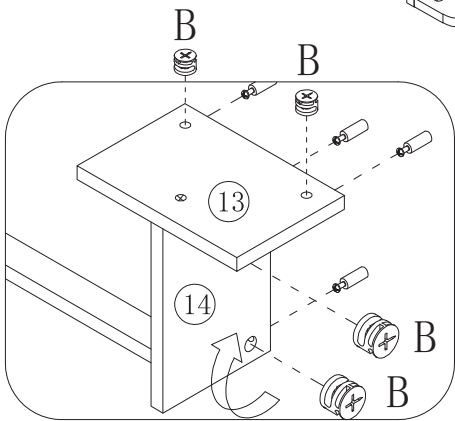
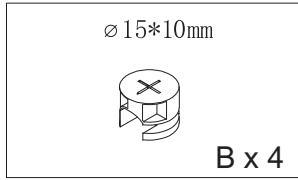
Step 20



Step 21

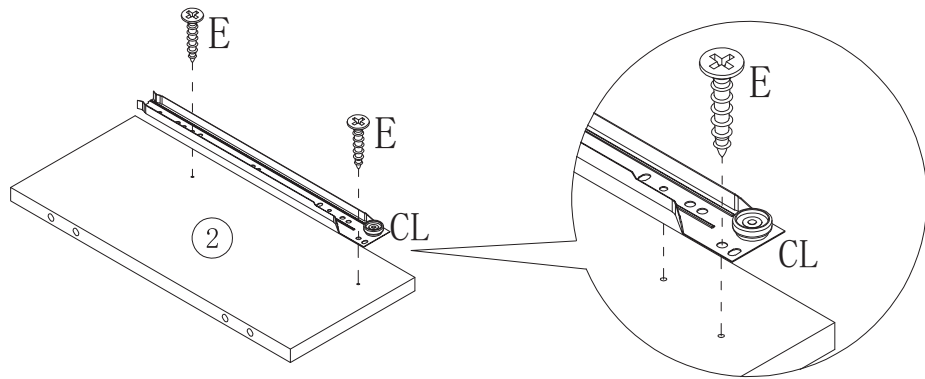


Step 22



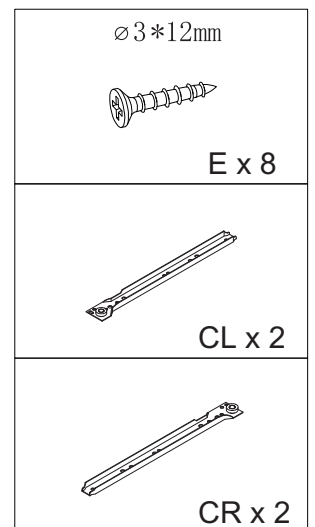
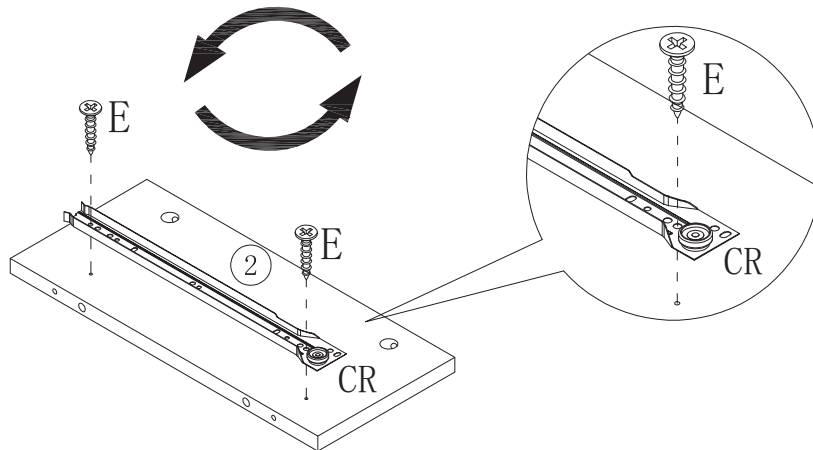
Step 23

x 2

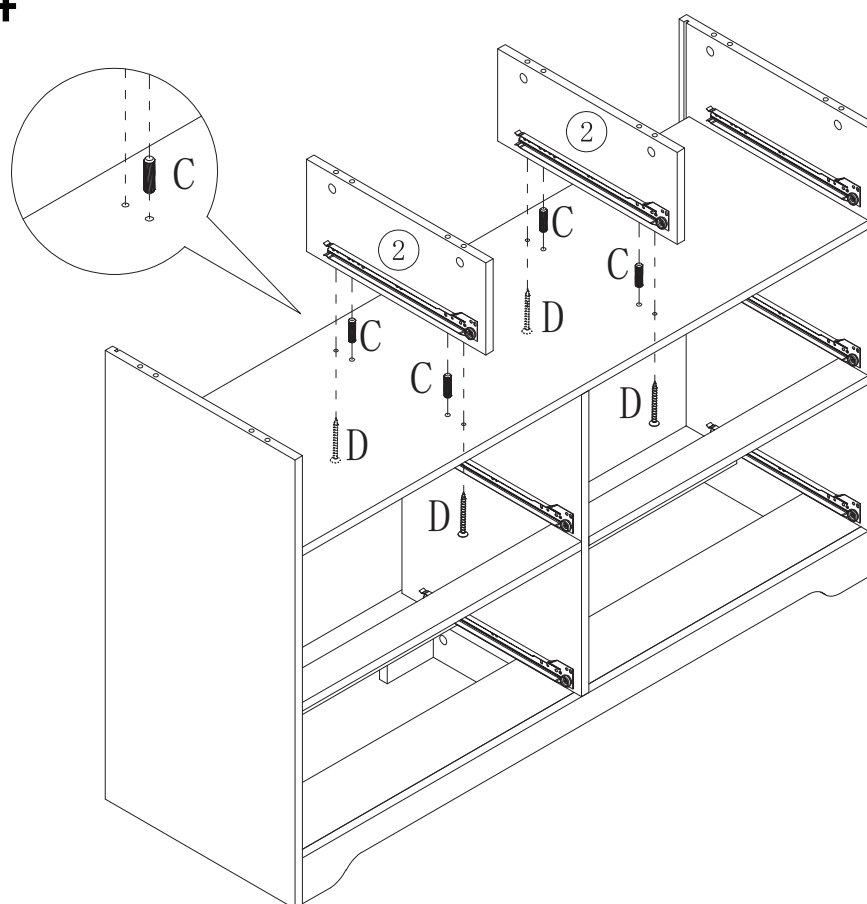


Please flip to the other side of the board.

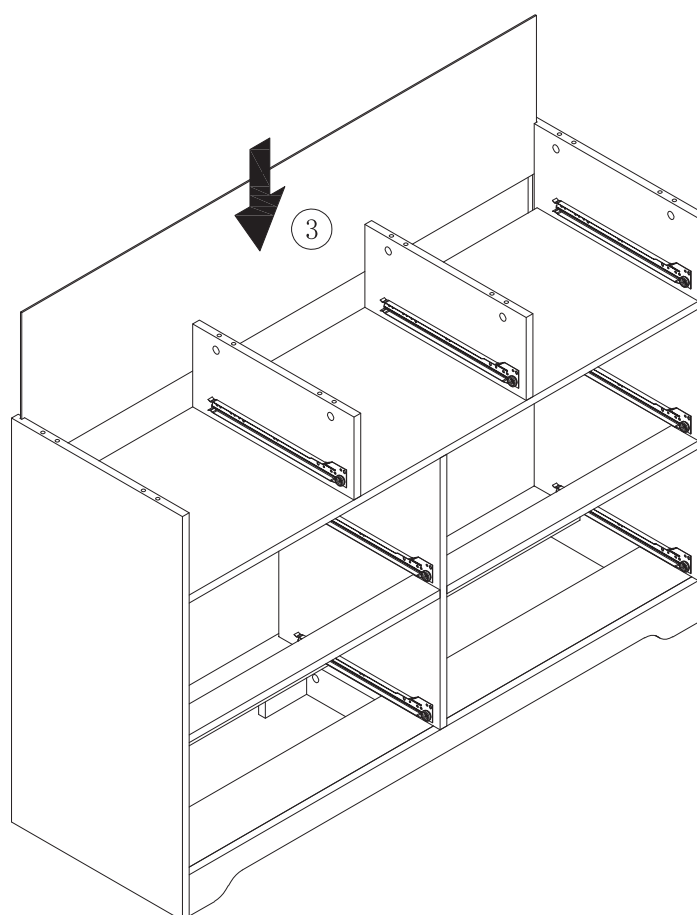
x 2



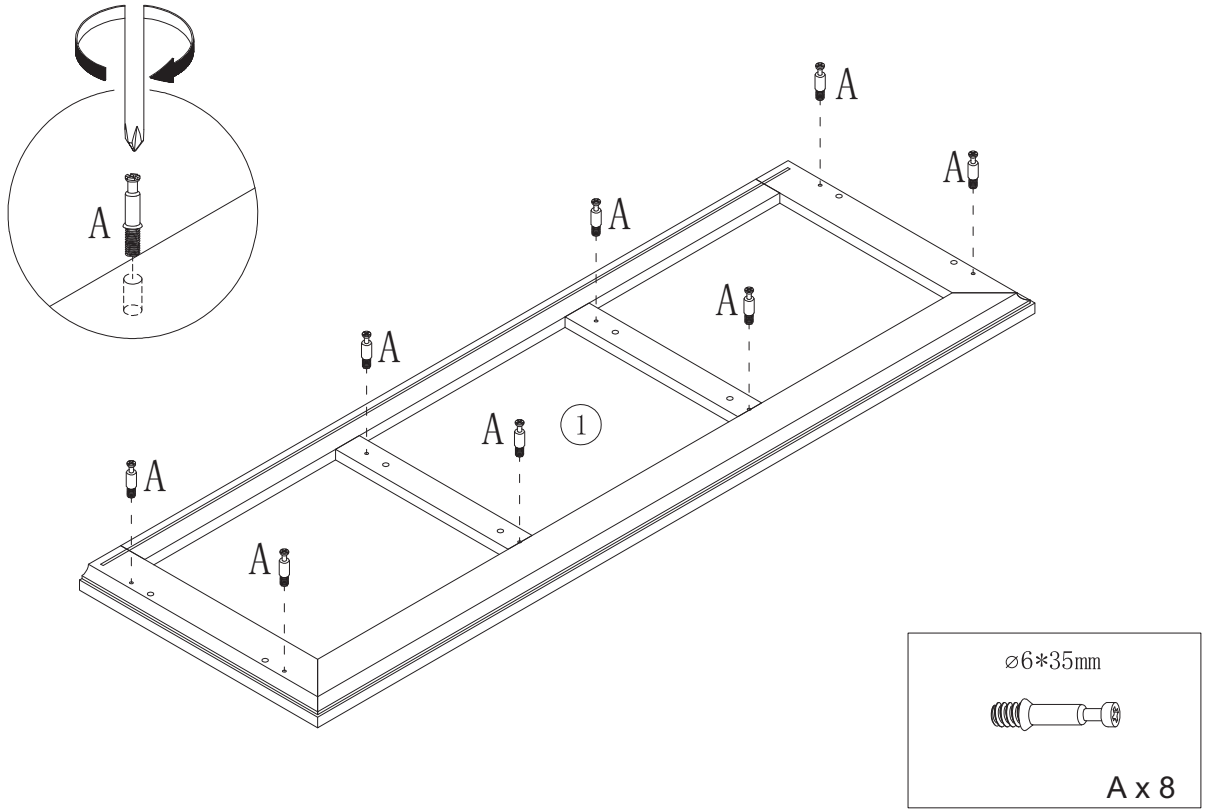
Step 24



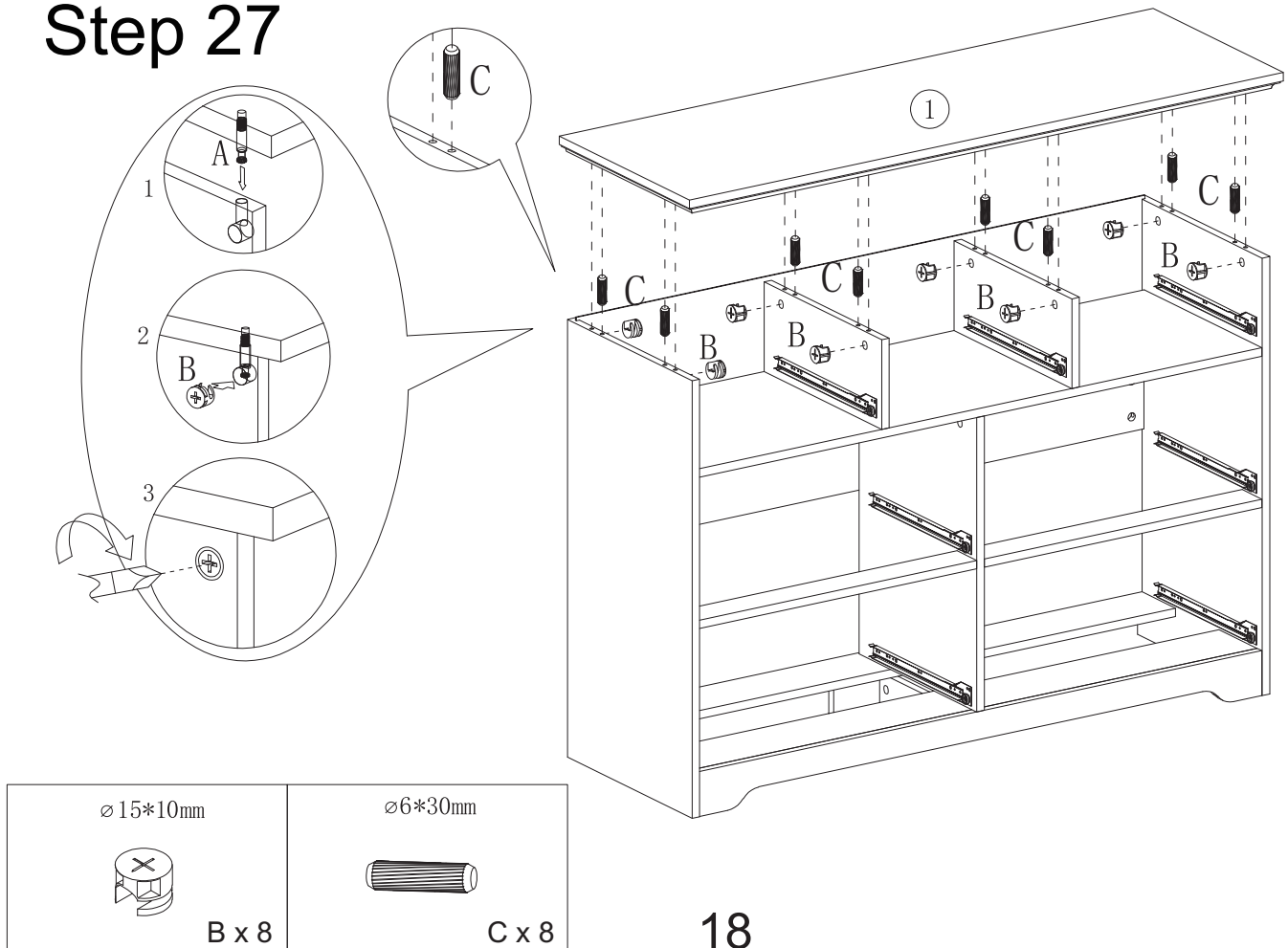
Step 25



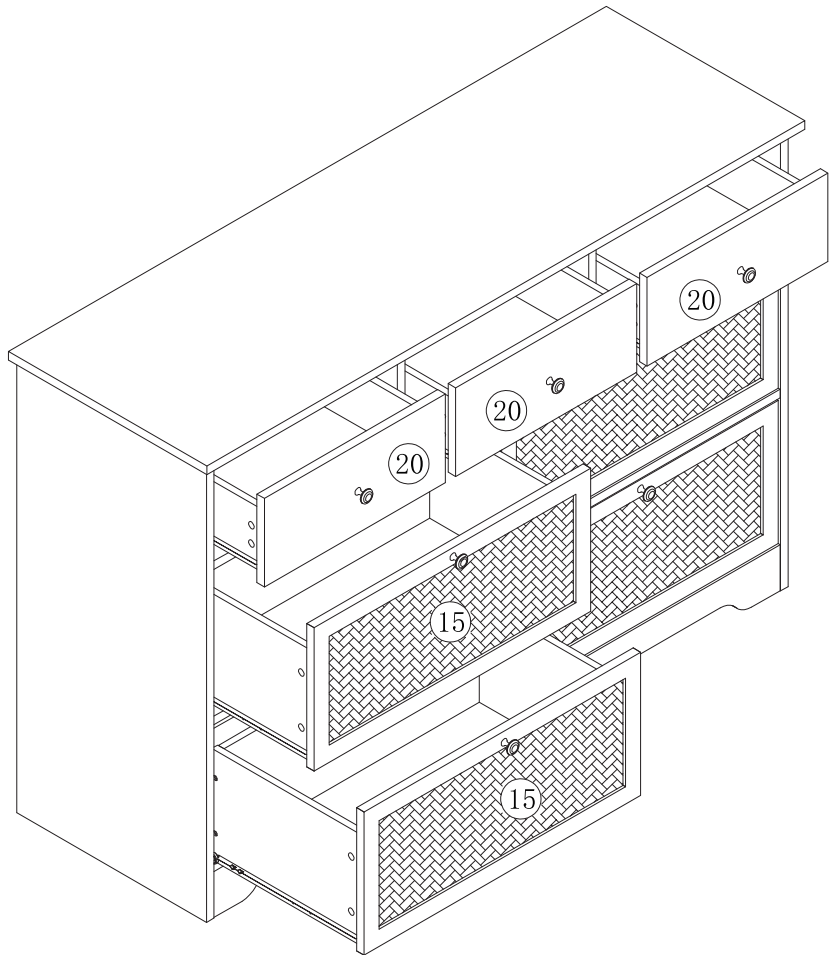
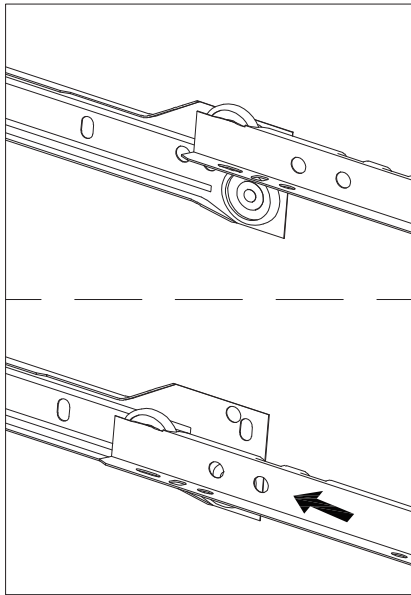
Step 26



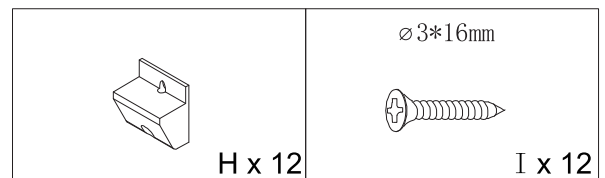
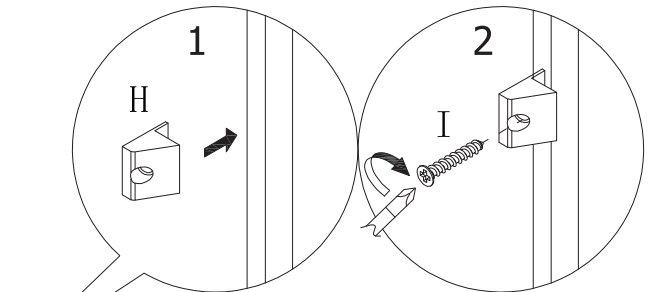
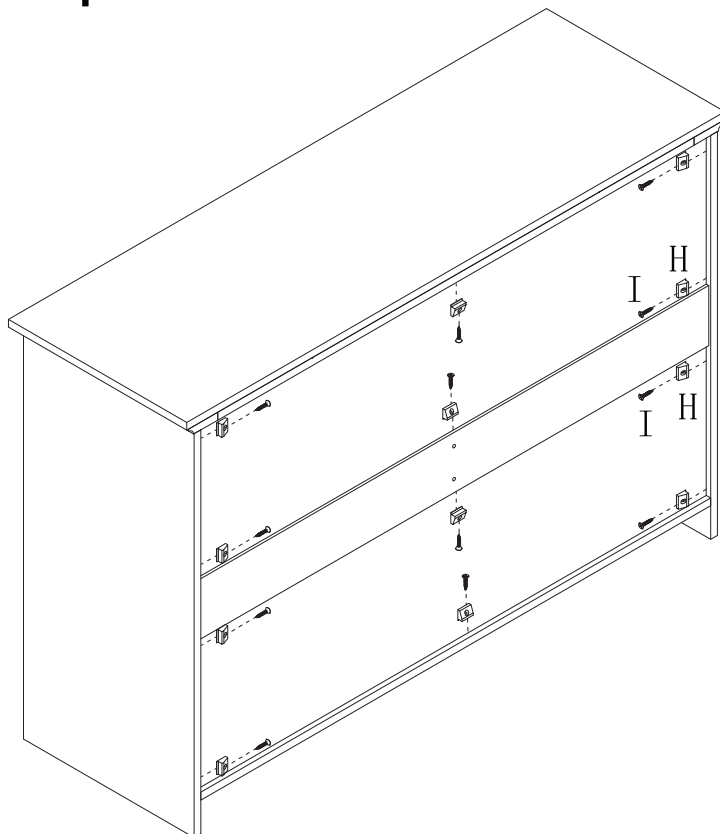
Step 27



Step 28



Step 29



Step 30

