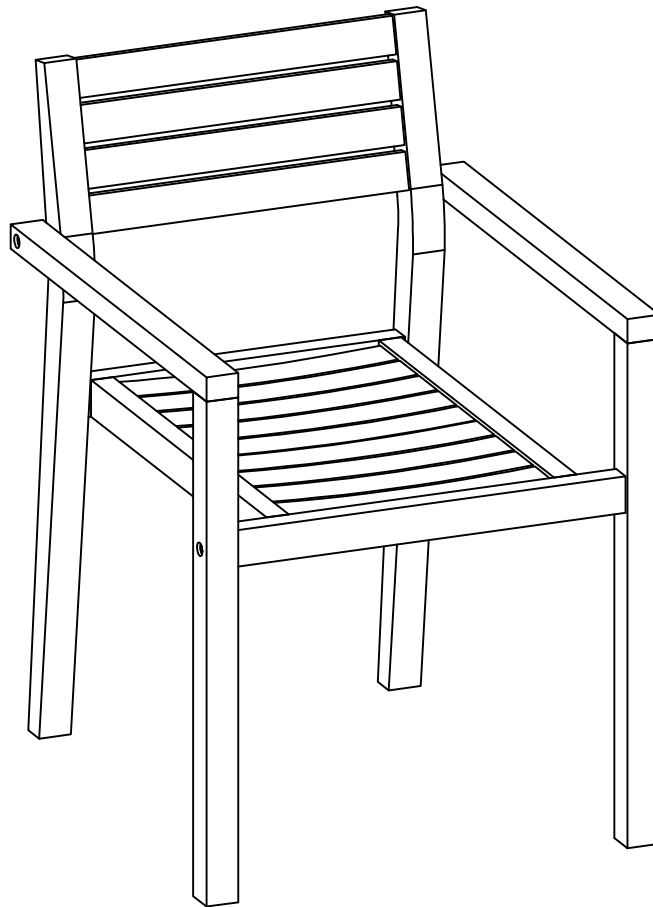


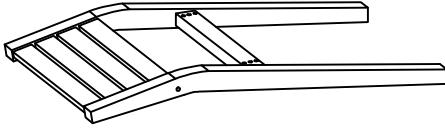
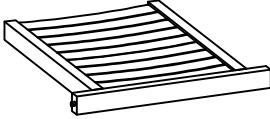
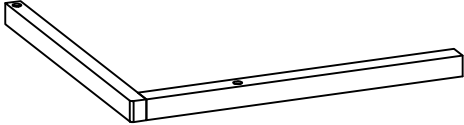
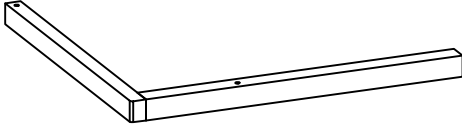
**Please look into the Chair for hardware packs.**

## **Dining Chair**



**Caution: This Chair is NOT a TOY**  
**Keep your child/children at bay during the assembly process.**  
**Whenever lifting or moving the Chair and to prevent damage to the Chair,**  
**two adults may be needed to execute these action.**

## Part List (X4)

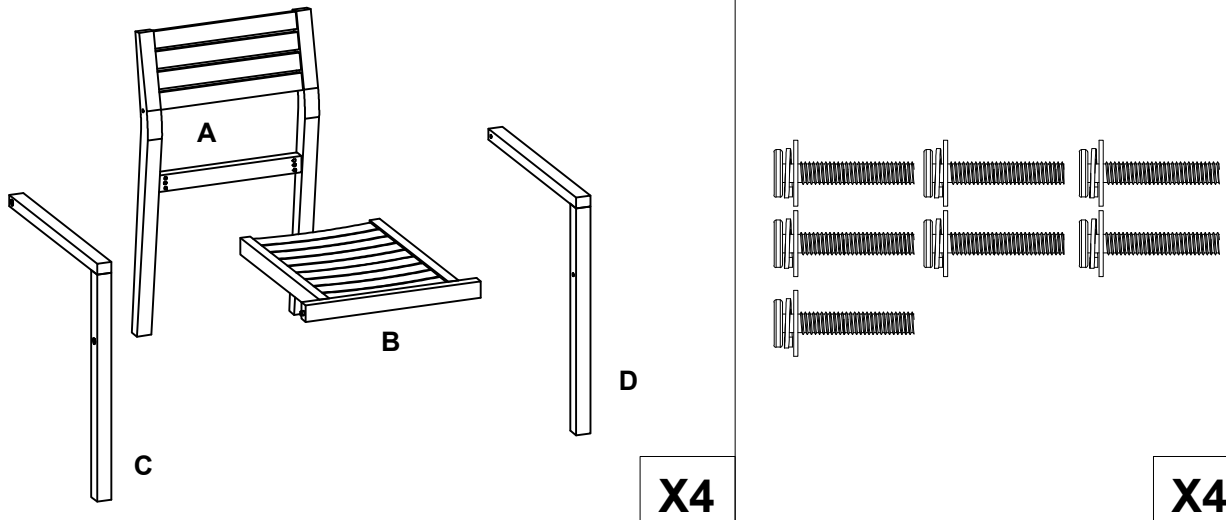
Label	Picture	Description	Qty
A		Chair Back	1pc
B		Chair Seat	1pc
C		Left Chair Leg Frame	1pc
D		Right Chair Leg Frame	1pc

## Hardware (X4)

Label	Picture	Description	Qty
①		Bolt 1/4" x 55mm	6pcs + 1 extra
②		Lock Washer Ø8 x 13mm	6pcs + 1 extra
③		Flat Washer Ø8 x 16 x 2mm	6pcs + 1 extra
④		Allen Key	1pc

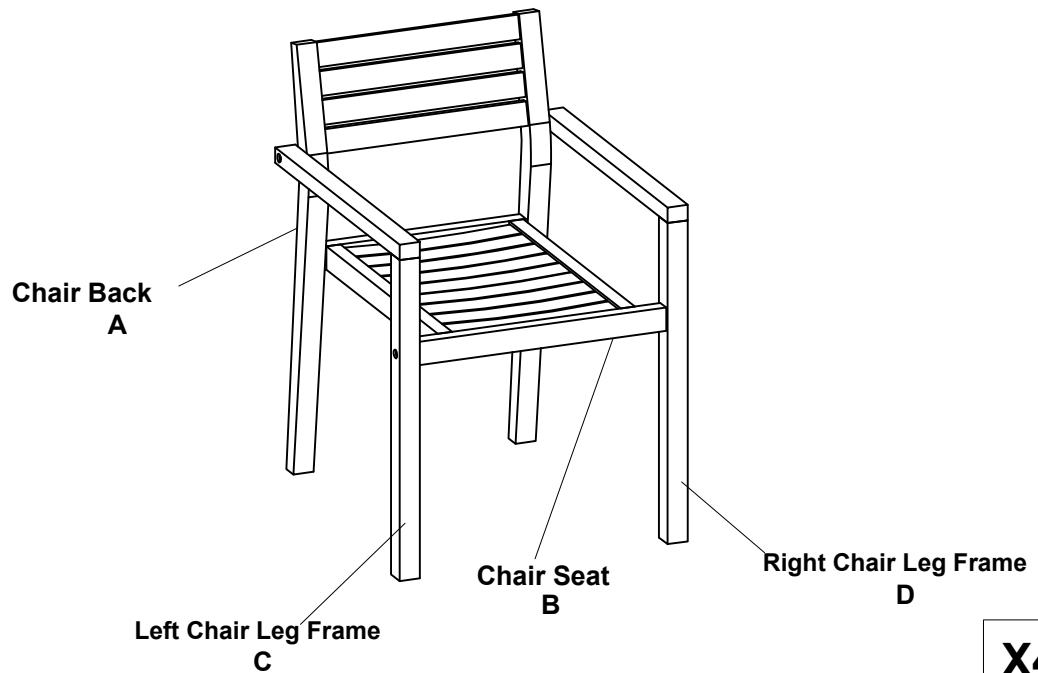
## Assembly Preparation

Before Beginning Assembly:



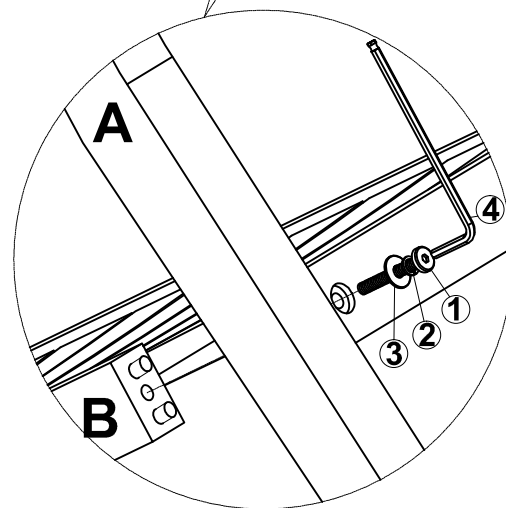
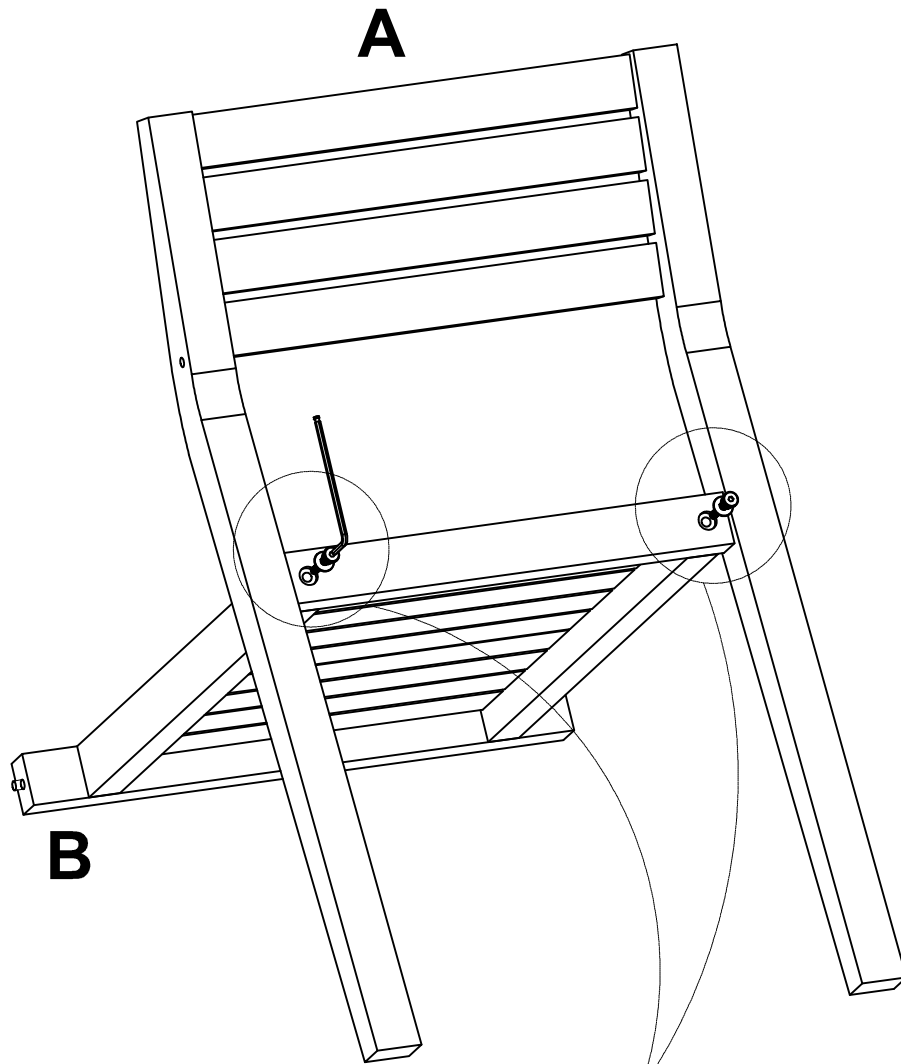
## Assembly Steps

### Overview



This Chair has multiple parts and may require up to 30 minutes to assemble. To give you an overview of the Chair parts, the above picture is to help you put the various parts into perspective. Please read through the instruction below to familiarise yourself with the parts and steps before assembly.

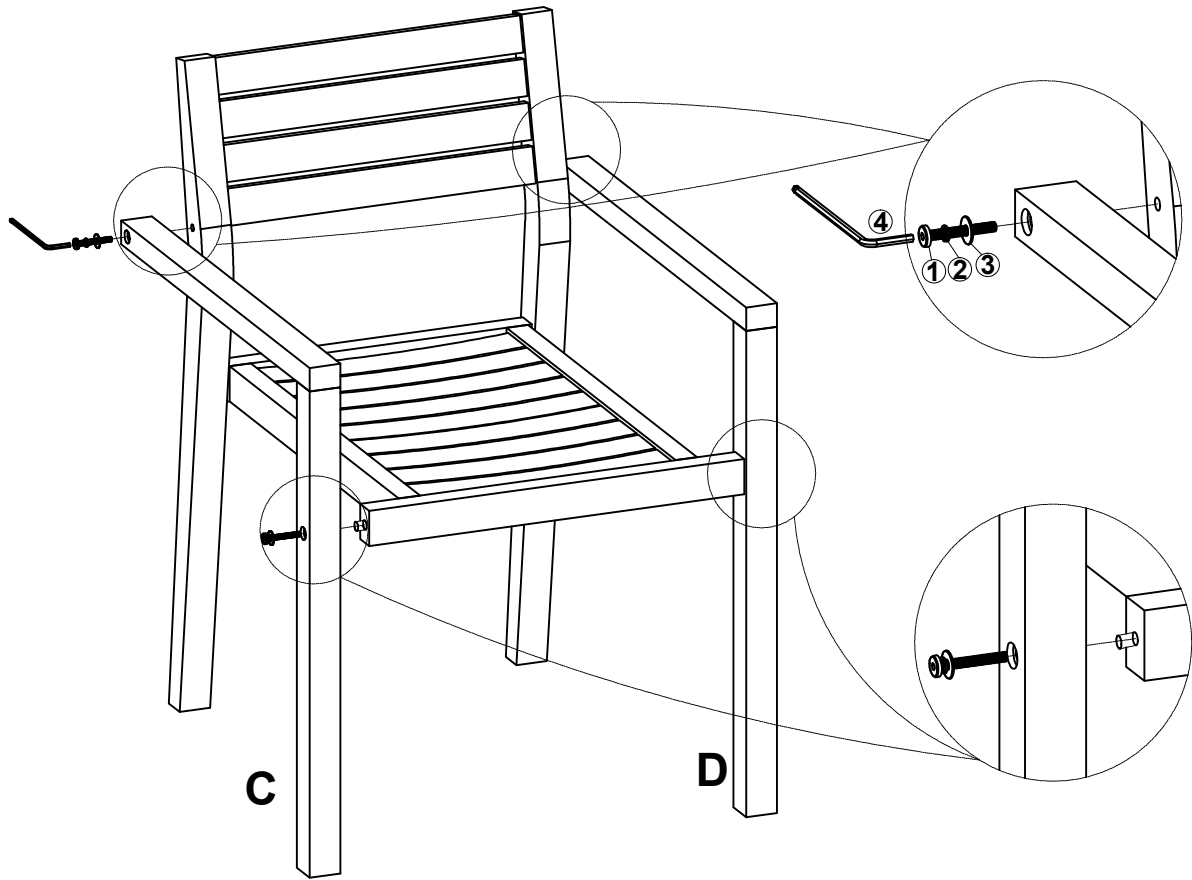
**Step 1**



**Do not fully tighten the Bolts**

**X4**

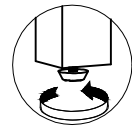
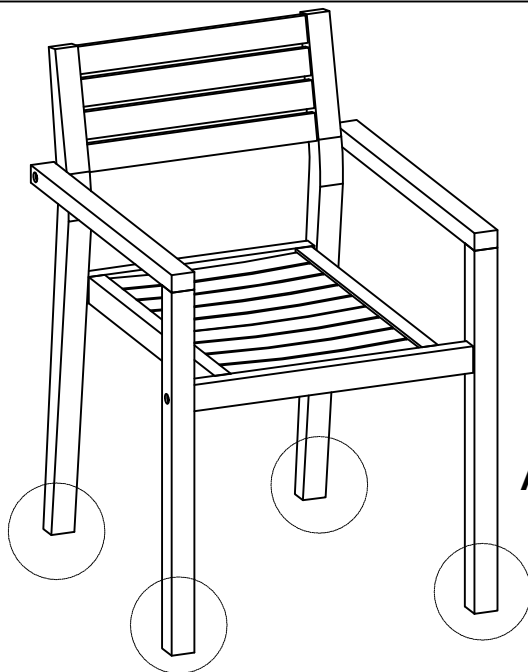
**Step 2**



**Tighten the Bolts**

**X4**

**Step 3**



**Adjustable floor leveler**

**X4**

**Step 4**

