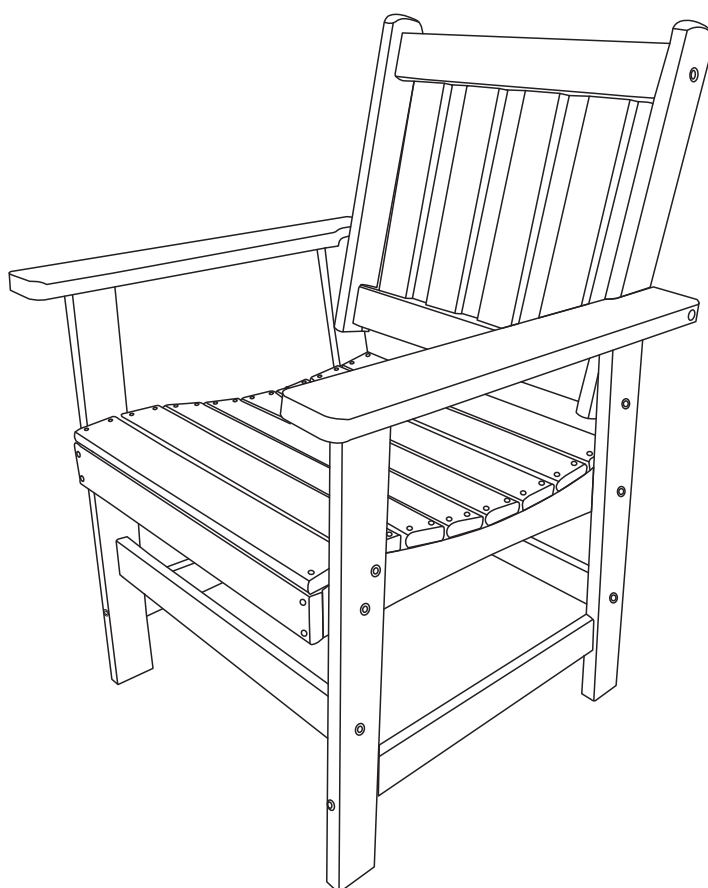


USE AND CARE GUIDE



Warranty

LIMITED WARRANTY

This warranty is a limited warranty, and applies to the original purchase is required. This is a residential warranty and does not apply to commercial use. This collection carries a (1) year limited warranty and is valid from original date of purchase to the original owner(proof of purchase required).

WHAT IS COVERED

We warrant the frame to be free of Manufacturing defects to the original purchaser for one year.

WHAT IS NOT COVERED


This warranty does not cover commercial use, hardware, acts of nature, fire, freezing and abusive.


In addition, purchased parts are not covered under this warranty.

We reserve the right to make substitutions with similar merchandise, if the model in question is no longer in production.

Safety Information

- Do not completely tighten screws until all screws are started. Tighten each bolt firmly and properly.
- Some parts may contain sharp edges. Wear protective gloves as necessary.
- Children under the age of 16 should not be engaged in the assembly, removal or disassembly of the product. Children under the age of 10 should be supervised by a competent adult while using this furniture.
- Please keep children out of the assembly area during assembly.
- This set is heavy, and may require two adults for safe assembly.
- Never use this product as a support. Do not shake, lean, or climb on the product at any time.

 **DANGER** : Do not allow children to play with plastic wraps or small parts to prevent potential choking hazard.

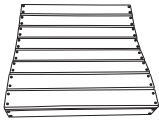
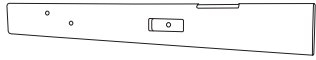
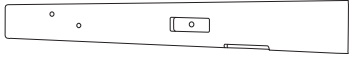

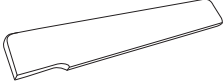
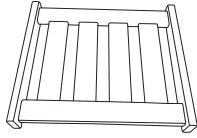
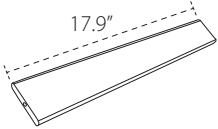
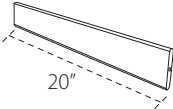
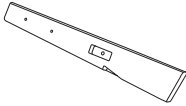
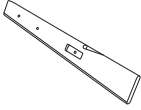
 **CAUTION**: Read all the instructions before assembly. Failure to do so may result in faulty assembly and potential injury!

Pre-assembly (continued)

Assemble the item on a soft non-abrasive surface, such as carpet or cardboard to avoid damaging the item. Seek assistance to assemble bulky or heavy items.

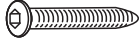






NOTE: Identify all parts packed in the carton against the parts list.
Remove all the protective material carefully and DO NOT use a knife to prevent scratching the furniture.

Component List

<p>A</p>  <p>Chair Seat</p> <p>1pc</p>	<p>B</p>  <p>Right Front Leg</p> <p>1pc</p>
<p>C</p>  <p>Left front Leg</p> <p>1pc</p>	<p>D</p>  <p>Right Armrest</p> <p>1pc</p>
<p>E</p>  <p>Left Armrest</p> <p>1pc</p>	<p>F</p>  <p>Backrest</p> <p>1pc</p>
<p>G</p>  <p>Side Shields</p> <p>2pc</p>	<p>H</p>  <p>Front and Rear Gears</p> <p>2pc</p>
<p>J</p>  <p>Right Hind Led</p> <p>1pc</p>	<p>K</p>  <p>Left Hind Leg</p> <p>1pc</p>

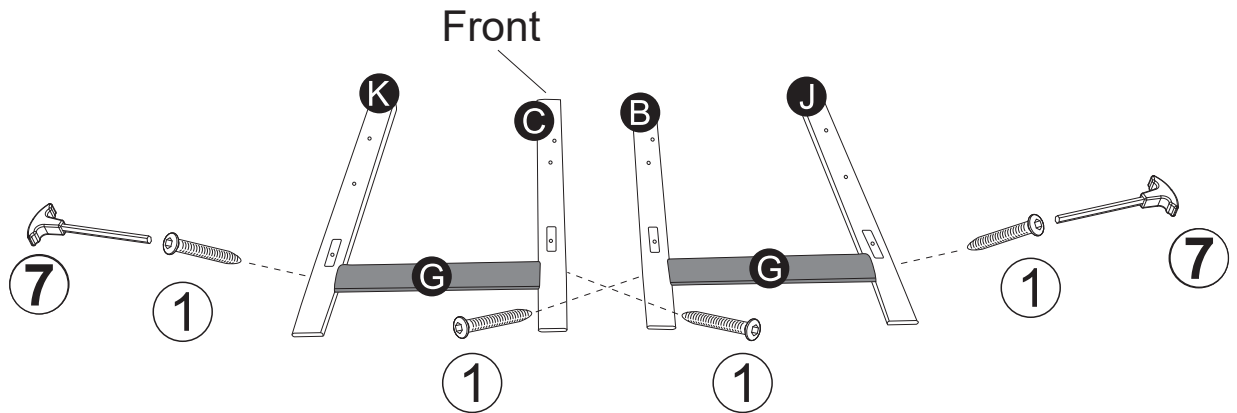
Pre-assembly (continued)

Hardware List

#1		M6*80	10pc	#2		M6*60	6pc
#3		M6*50	6pc	#4		M6	6pc
#5		M6	6pc	#6			1pc
#7			1pc				

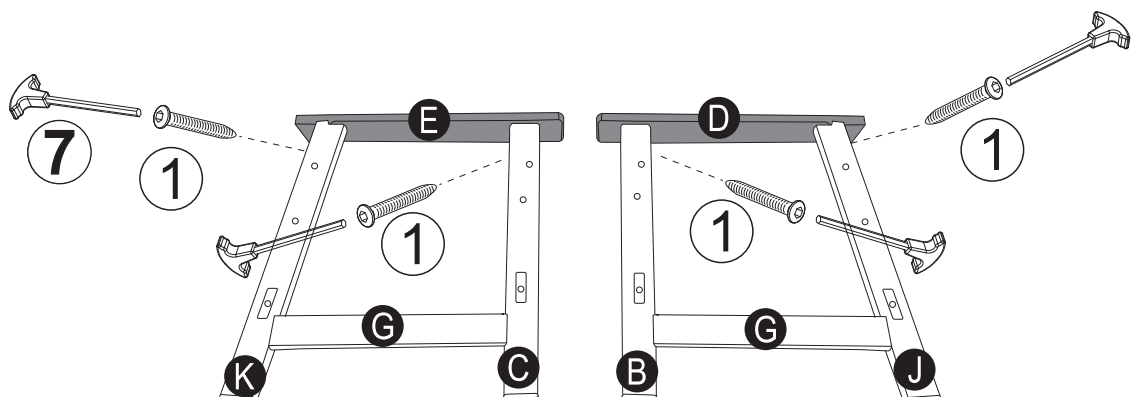
1

Attach Part C (Left Front Leg) & K (Left Hind Leg) to G (Side Shield) using Hardware 1 (M6*80MM Screw). Please do the same to attached Part B (Right Front Leg) & J (Right Hind Leg) to G (Side Shield).

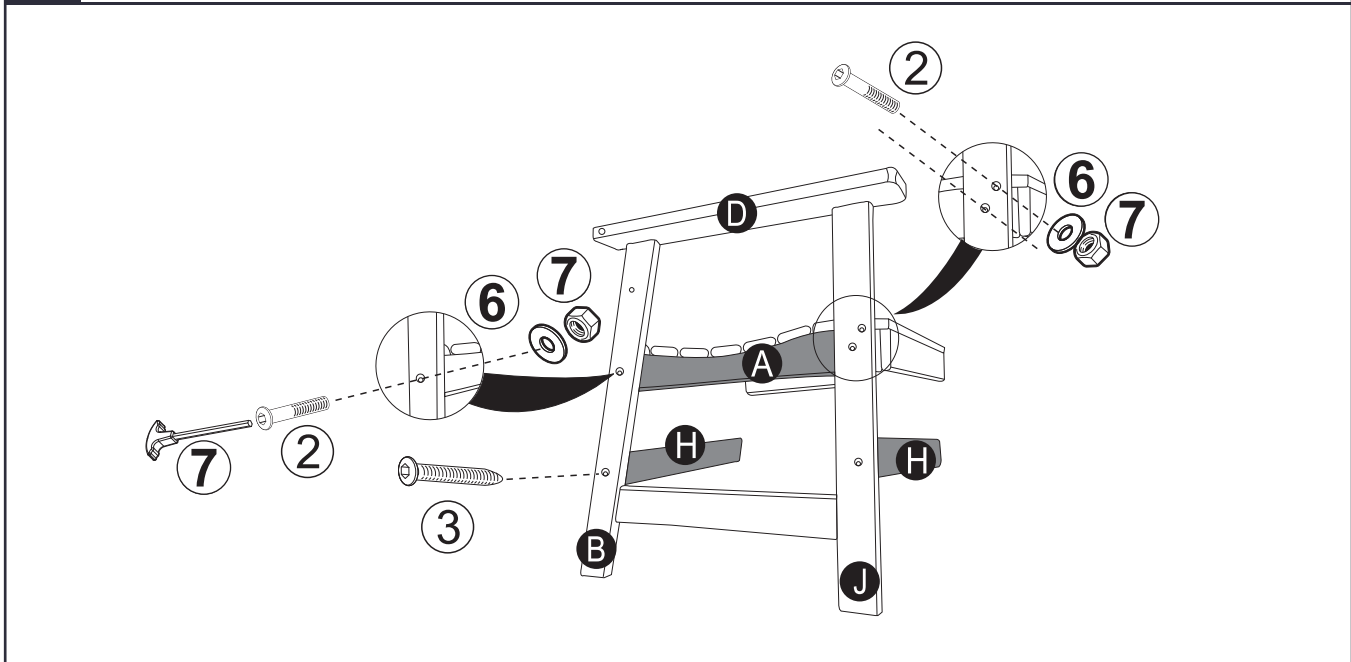


2

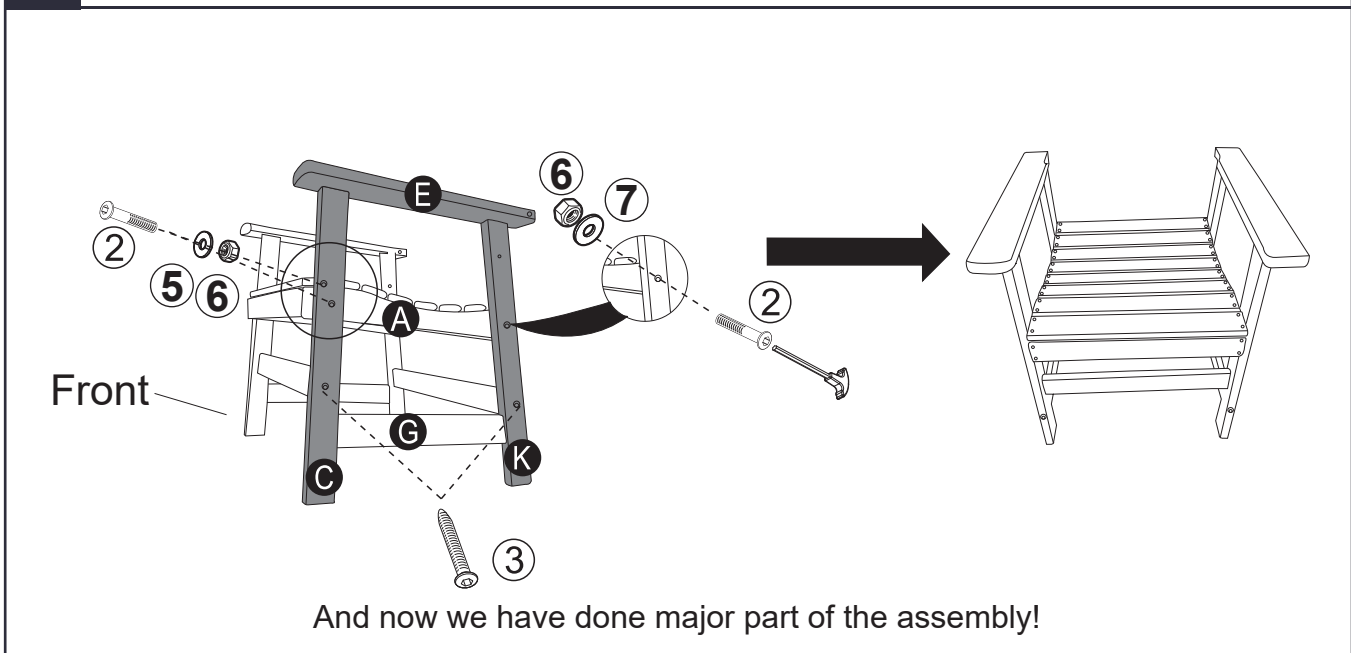
Attached Part D (Right Armrest) and Part E (Left Armrest) to what we have assembled in Step 1 using Hardware 1 (M6*80MM Screw). So far we have whole Left Part and Right Part.



- 3** Secure Part A (Chair Seat) to the upper holes of Left Part using Hardware 2 (M6*60mm Bolt), 5 (M6 Washer) & 6 (M6 Nut). And attach Part H (Front and Rear Gears) to the lower holes using Hardware 3 (M6*50MM Screw).

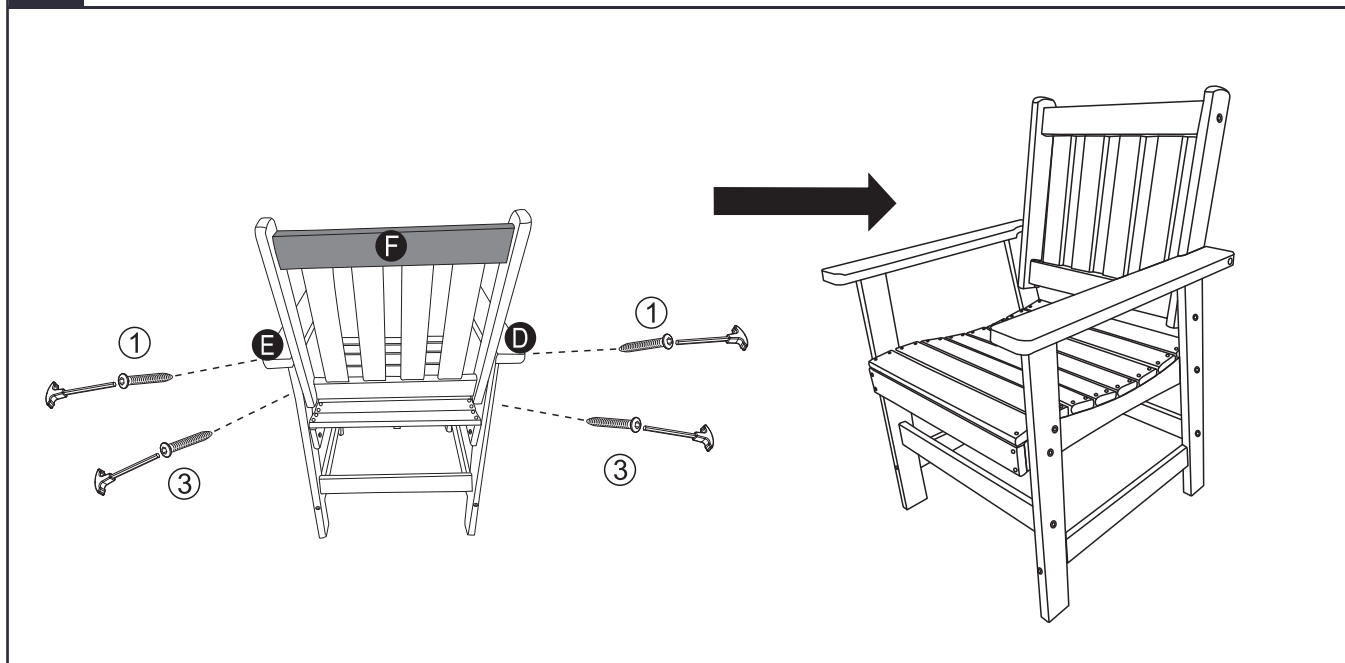


- 4** Secure Part A (Chair Seat) to the upper holes of Right Part using Hardware 2 (M6*60mm Bolt), 5 (M6 Washer) & 6 (M6 Nut). And attach Part H (Front and Rear Gears) to the lower holes using Hardware 3 (M6*50MM Screw)



5

Secure Part F (Backrest) to the finished part of the chair using Hardware 1 (M6*80MM Screw) and Hardware 3 (M6*50MM Screw)



Cleaning and Maintenance

1. Clean the furniture with damp cloth, rinse thoroughly. Dry frame parts completely. Do not use bleach, acid or other solvents on the wicker or metal parts.
2. We recommend the use of furniture covers to protect the product when not in use.
3. Inspect and tighten all SCREW on a regular basis to ensure proper performance and safety.
4. In order to prolong the life and beauty of your Item, we recommend storing it in a dry and protected area during off season periods.

If there is any confusion, please do not hesitate to share with us.