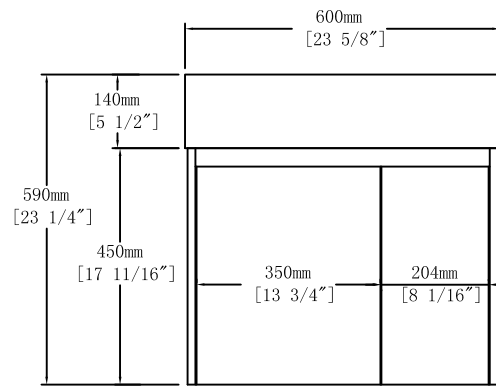
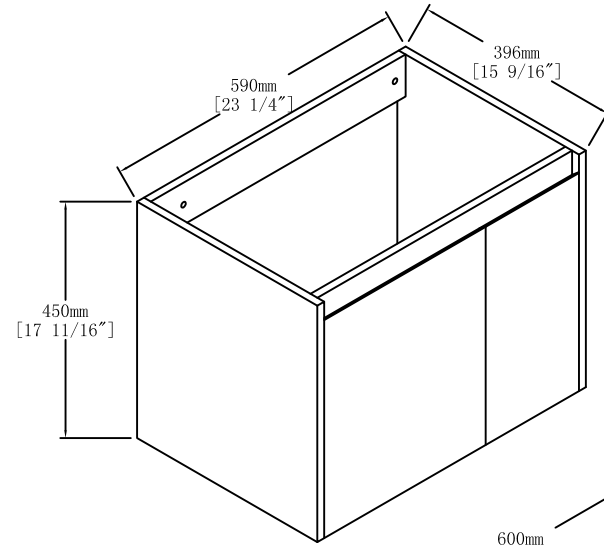
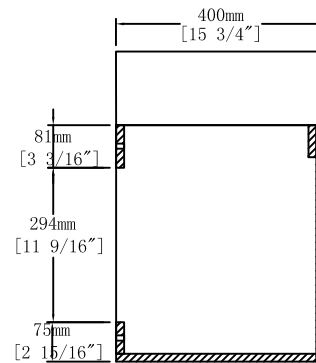


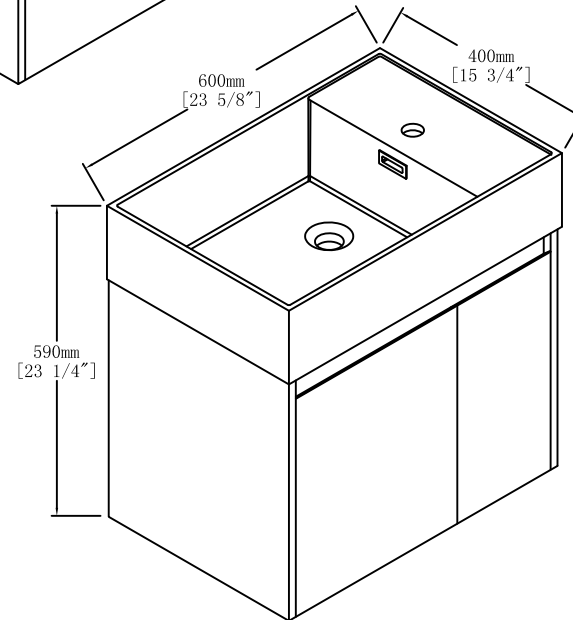
Top View



Front View



Side View



Item NO.

BV B09324

Version

V1

Project

Date

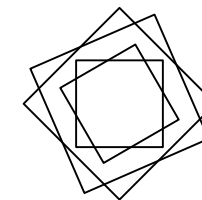
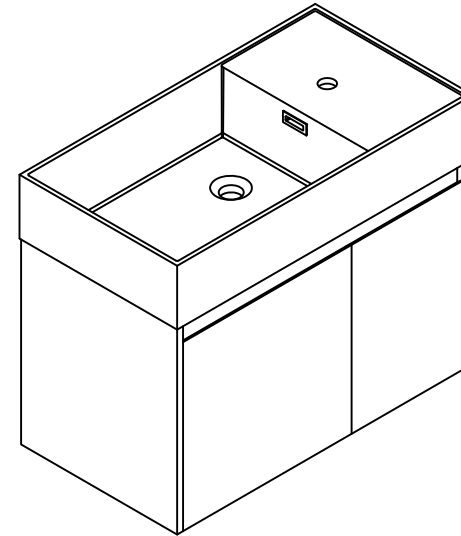
2024-6-14

**Installation Manual- BV B09324
BV B09330**

**MOTIVATE
YOUR LIFE !**

THANKS FOR WATCHING

Your feedback is invaluable to us and we would love to hear about your experience. Please take the time to leave us a review.


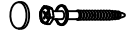
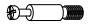
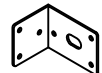






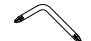


Thank you for shopping with us!

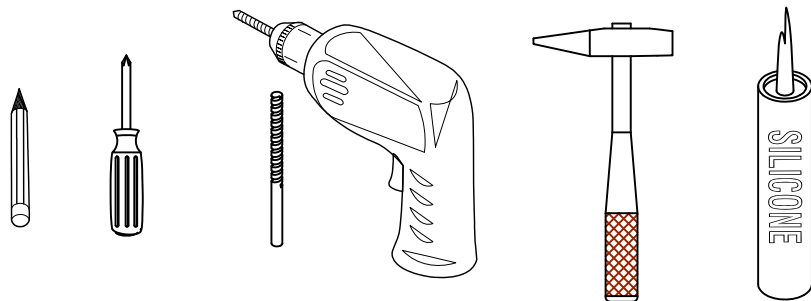
We encourage you to take a few minutes to go through this booklet. It contains important information on installation and care tips to keep your furniture looking as good as new.

Item NO.:BV B09324 / BV B09330

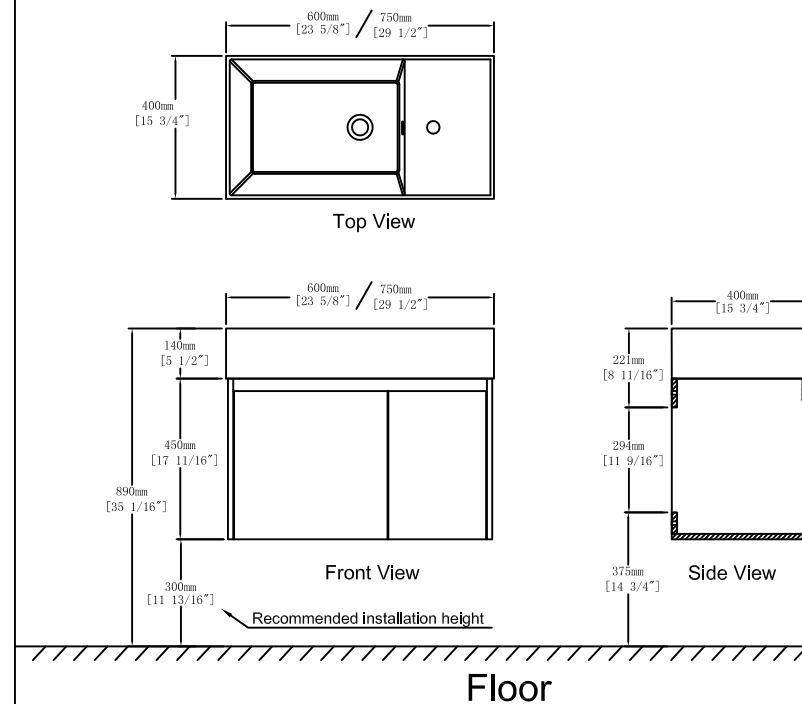
Hardware

NO.	Draw	QTY	NO.	Draw	QTY
A	 Screws Ø4x14mm	44	F	 Screws for fix on the wall	4
B	 Two-in-one connector	17	G	 Bracket (53x70x44mm)	2
C	 Two-in-one connector	17	H	 Bracket (19x19x35mm)	2
D	 Wood plug	4	I	 Hinges (Internal hiding)	4
E	 Plastic anchor(Ø10mm)	4	J	 Anti-collision gasket	4
			K	 Screwdriver	1

Recommended tools



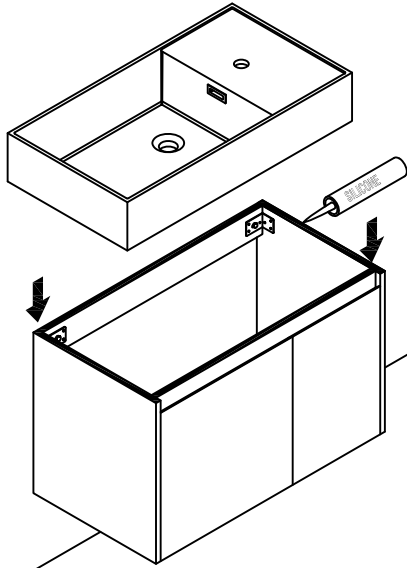
Dimensions



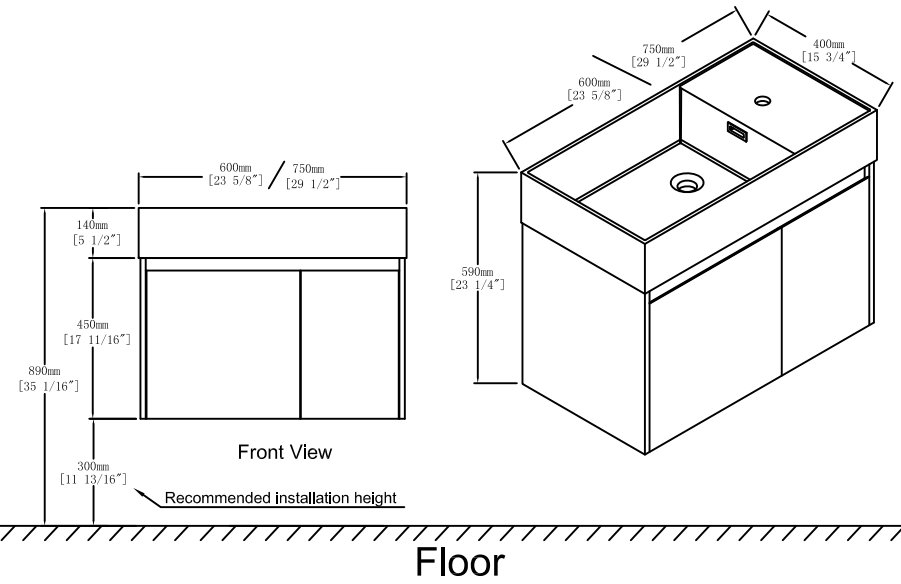
CARE CLEANING AND MAINTENANCE

1. Dust regularly with a soft , dry cloth.
2. Avoid the use of all chemicals household cleaners, abrasives, or cleaners that contain lemon, vinegar, or other acids that may damage the finish.
3. Excessive exposure to sunlight and extreme changes in temperature and moisture can damage wood furniture.
4. The sink is fragile, please pay attention to maintaining its appearance.
5. Do not place hot appliances, such as curling irons and hot hair dryers directly on the countertop. Wipe spills immediately.

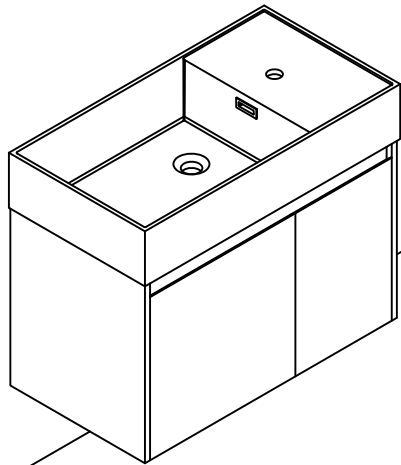
Step 13



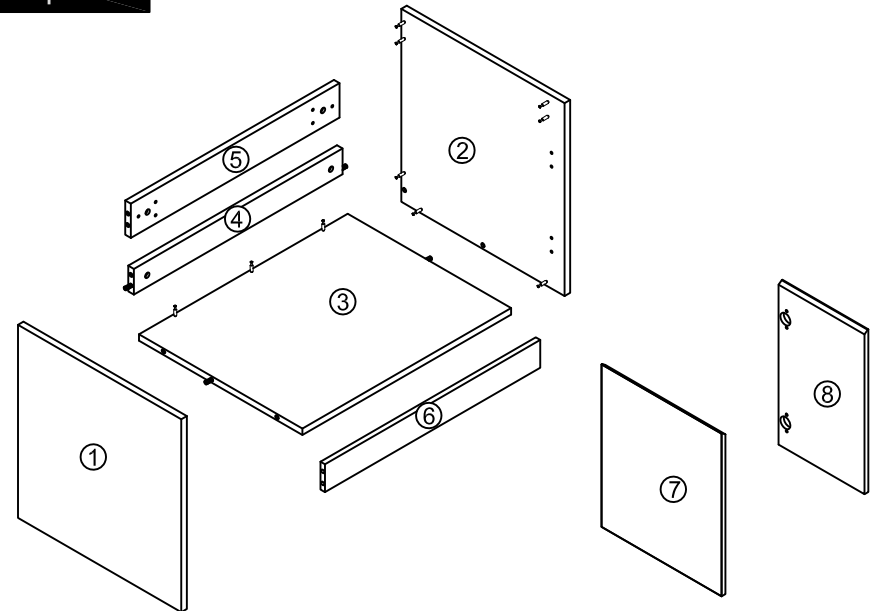
Dimensions



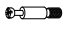

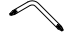
Finished

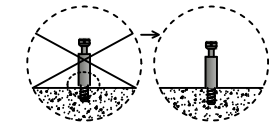
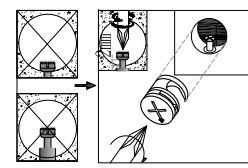
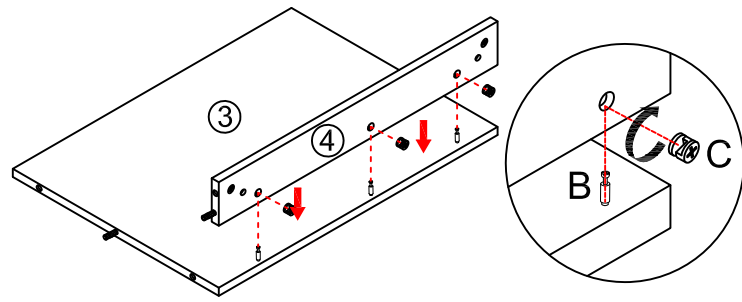


Components

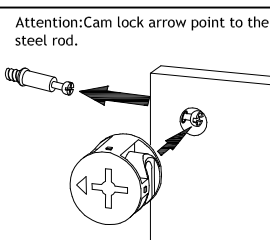


Step 1

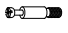


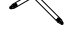
-  x3
-  x3
-  x1

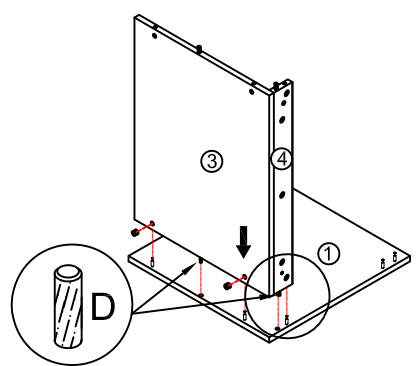
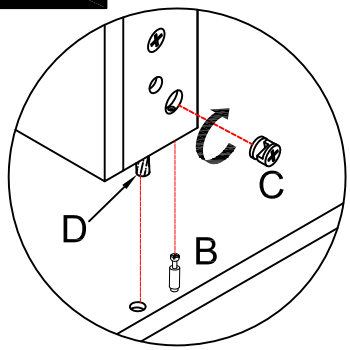


Notes: Screw installation depth as shown

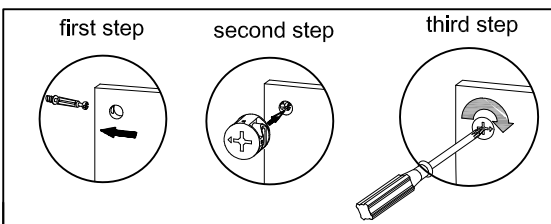
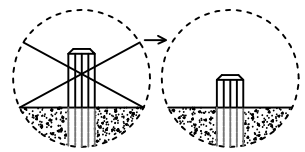


Step 2



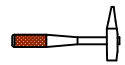
-  x3
-  x3
-  x2
-  x1

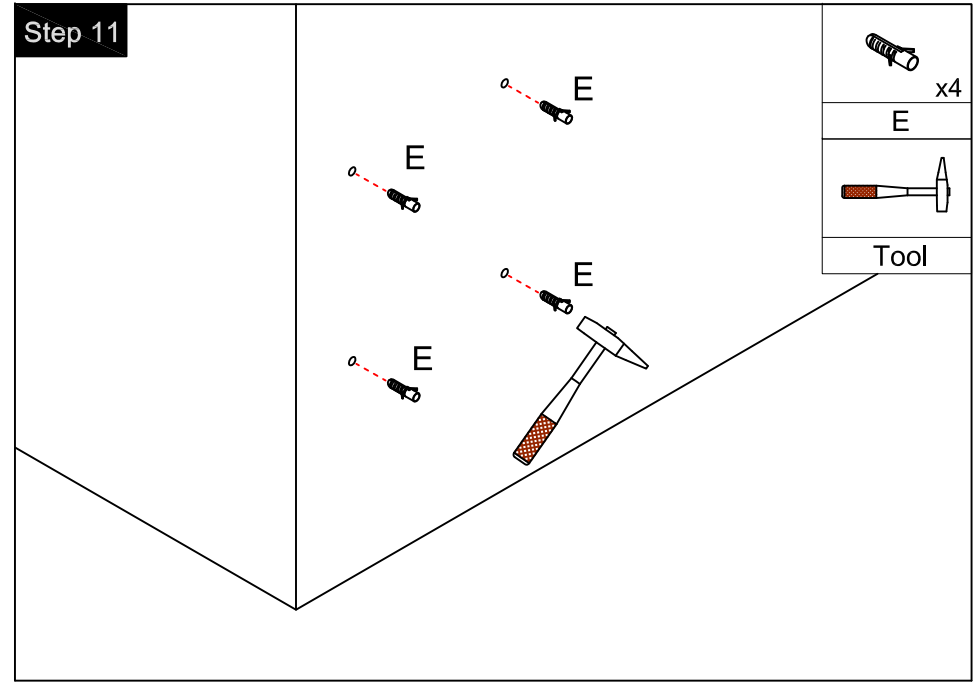


Note: The D parts are used for these two holes

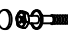




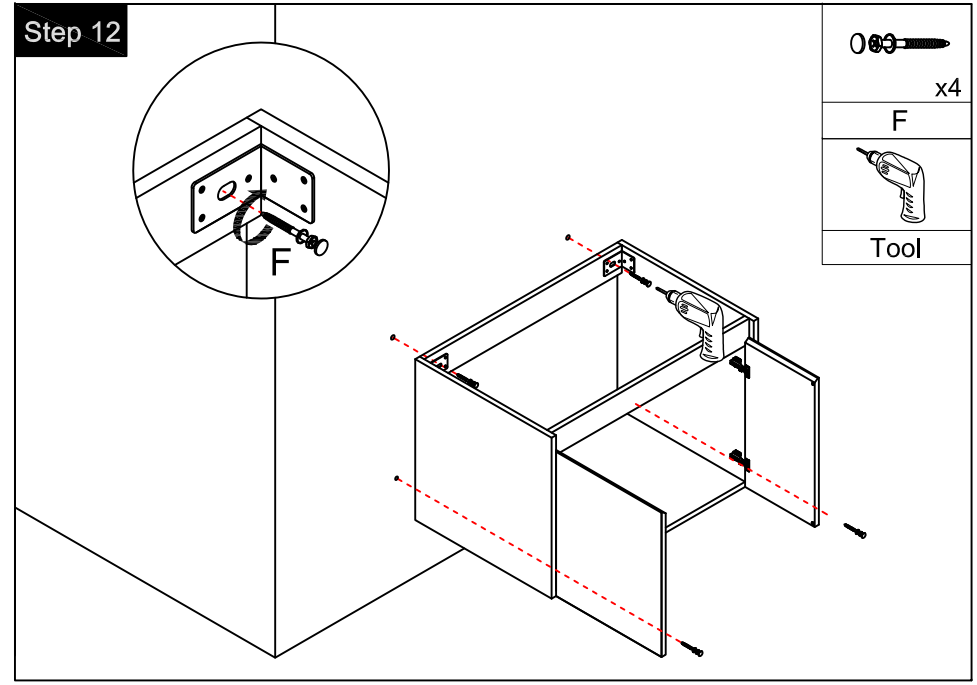
Step 11

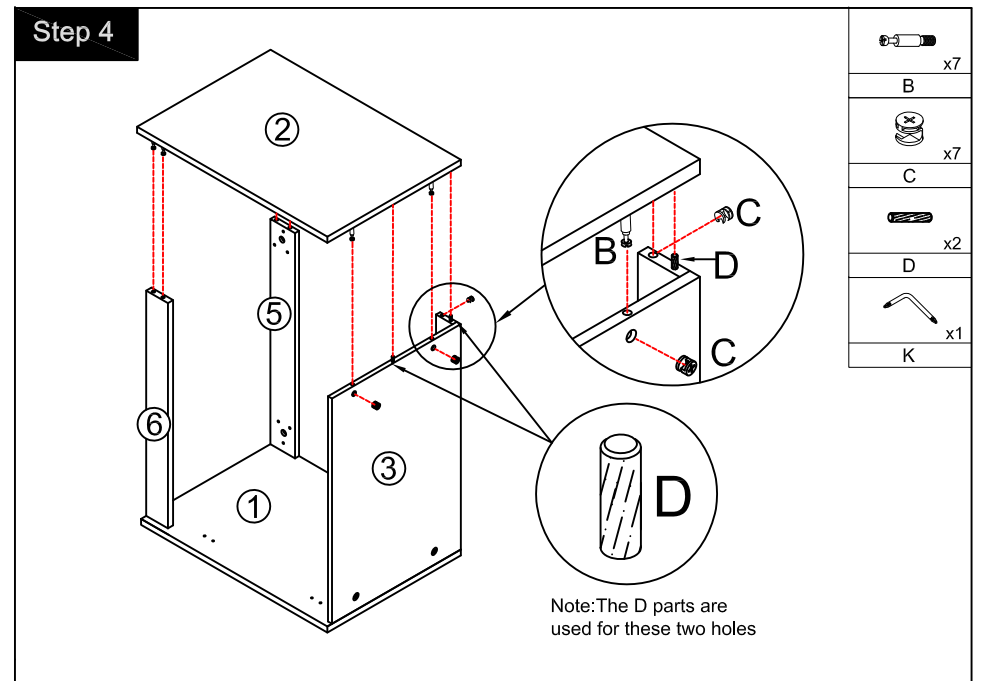
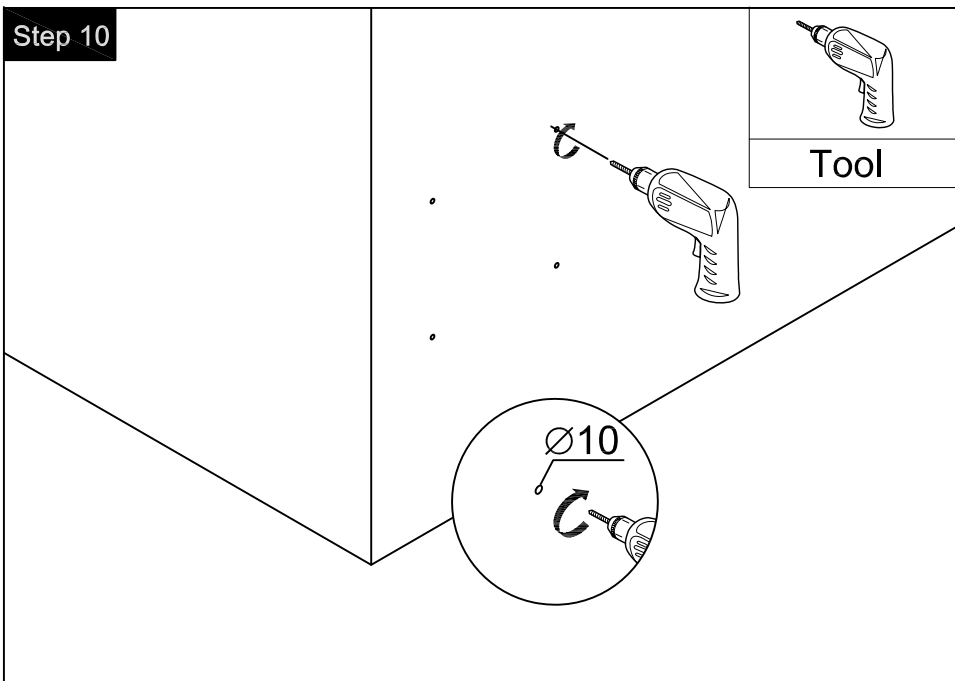
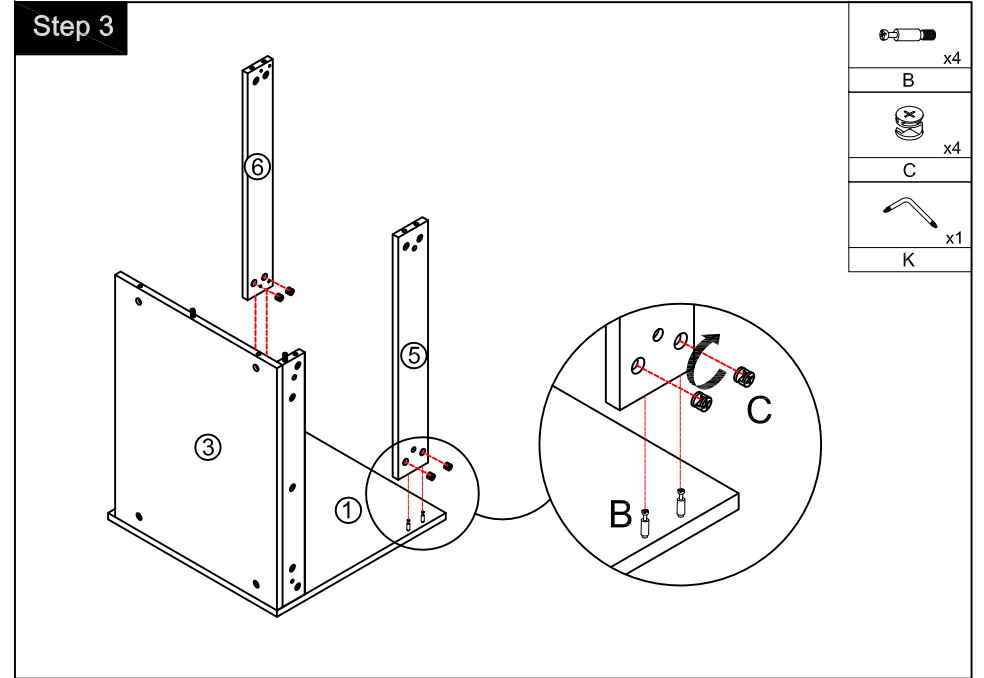
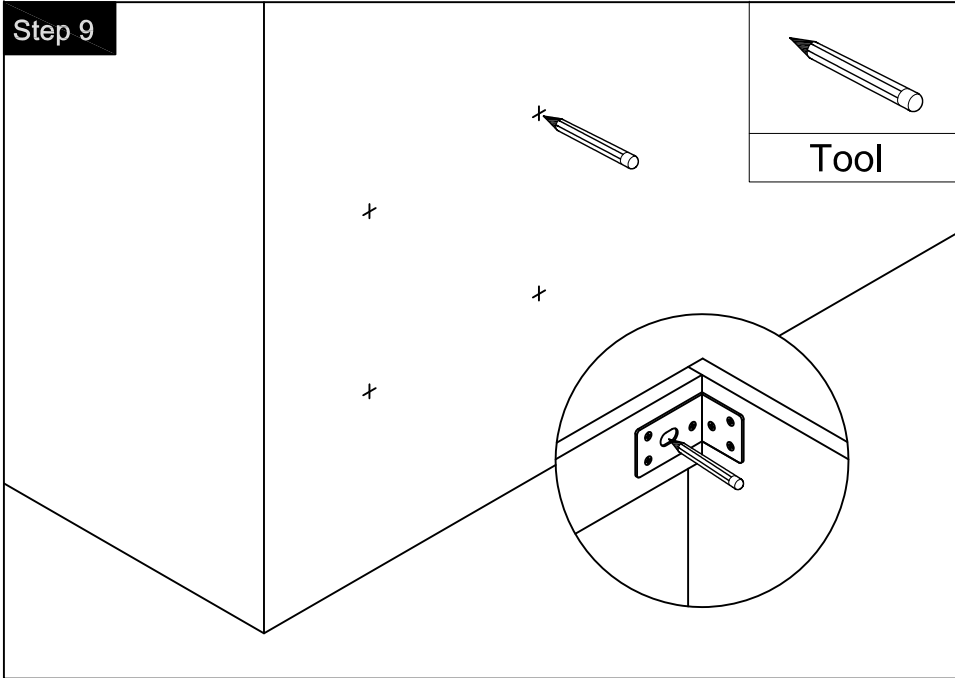
-  x4
-  E
-  Tool



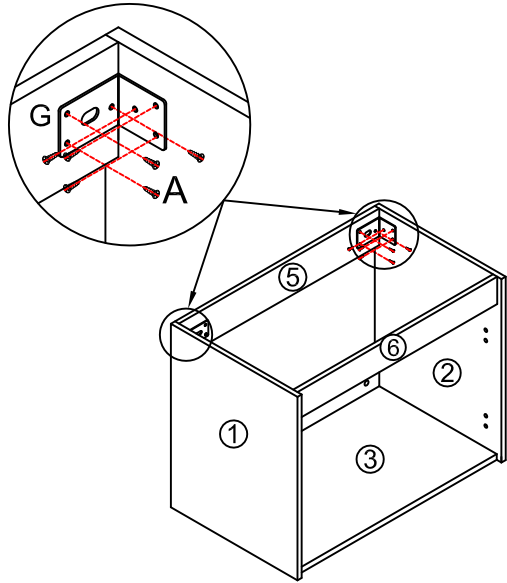
Step 12




-  x4
-  F
-  Tool



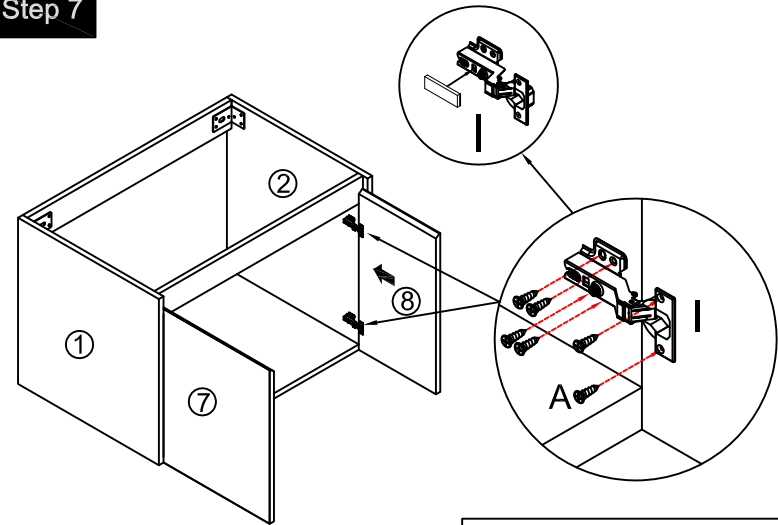





Step 5



	x2
G	
(∅4 x 14mm)	
	x12
A	
	
Tool	

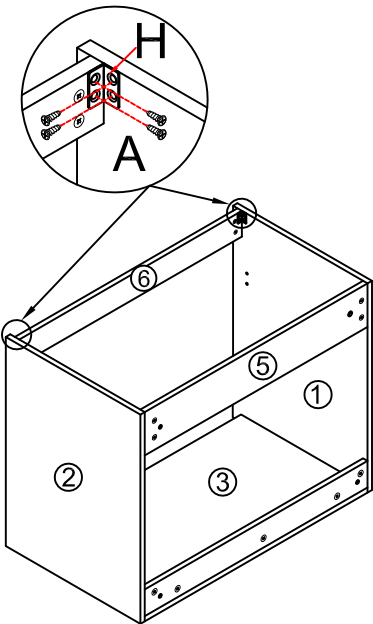
Step 7






	x4
I	
(∅4 x 14mm)	
	x24
A	
	
Tool	

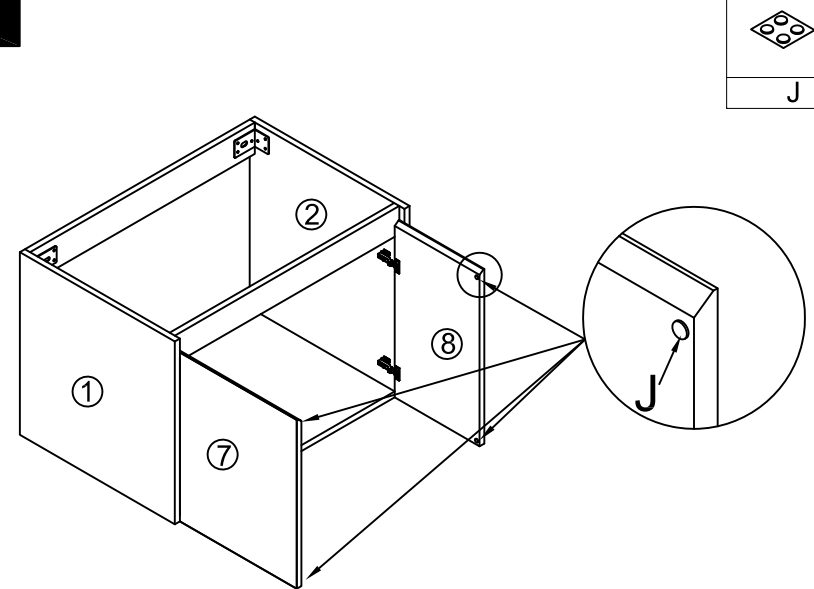
You can adjust the doors by tightening or loosening the screws on the hinge. →


Step 6



	x2
H	
(∅4 x 14mm)	
	x8
A	
	
Tool	

Step 8



	x4
J	