

MANUAL INSTRUCTION

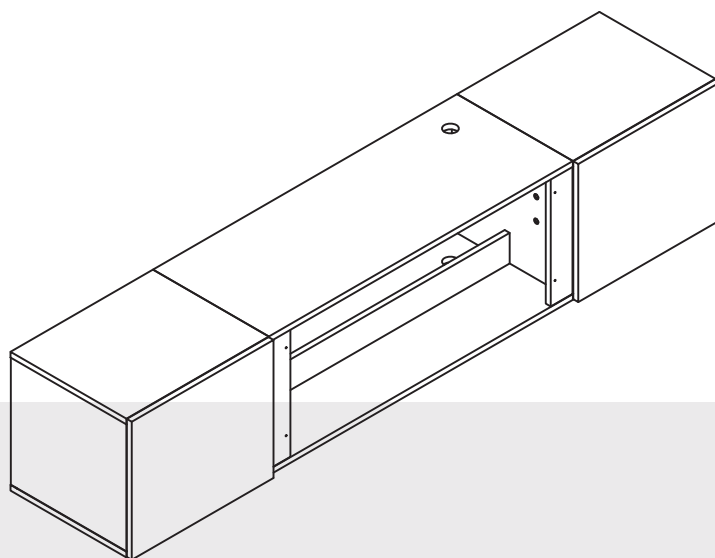
Wall Cabinet

BDGS20-70WCC

BDGS20-70WCB

BDGS20-70WBC

BDGS20-70WBB



Indoor Furniture

We are a professional furniture provider with top-notch factories and outstanding designs, Our mission is to provide consumers with new lifestyles. By collecting consumer feedback, we constantly improve our products and create more choices for consumers.

If you want to create your space,

We are an ideal choice.

————— Always. —————



All the Wall Cabinet
have passed strict
quality inspections
before deliver. Read
this manual carefully
to ensure proper usage.



WARNING

Ensure that all parts and hardware are available before beginning assembly.

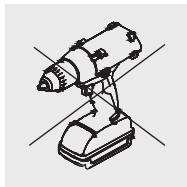
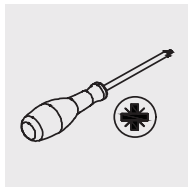
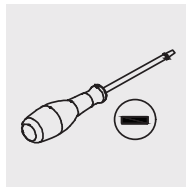
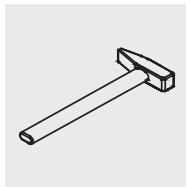
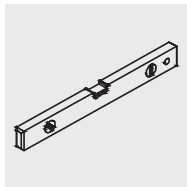
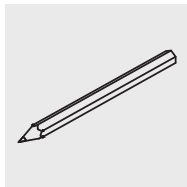
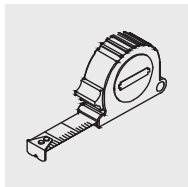
NOTICE

1. Children are not allowed to operate.
2. Do not pull the door vigorously to prevent the storage cabinet from tipping over.
3. Please attach the storage cabinet to the wall with an anti-tip device after installation is complete.
4. When using the storage cabinet for the first time, please keep it in a ventilated environment to allow the smell to fully evaporate.
5. When placing the partitions, please make sure the nails are firmly installed to prevent the partitions from falling off.
6. If any parts are missing, broken, damaged or worn, discontinue use of the product until repairs are made and/or factory replacement parts are installed.
7. Do not use this product in a manner inconsistent with the manufacturer's instructions, as this may void the product warranty.
8. If accessories are missing, please contact customer service for communication in time, we provide 7x24 hours after-sales service.
9. Do not use any attachments or accessories other than the original factory attachments and accessories.
10. Do not alter this equipment. Any alteration will create a safety hazard.

WARNING

1. Follow each step carefully to ensure the proper assembly of this product.
2. Two people are recommended for ease in the assembly of this product.
3. The three main types of hardware used to assemble this product are : wood dowels , screws and bolts.
4. A Phillips head screwdriver is required for the assembly of this product .
5. Power tools should not be used to assemble this product .

TOOLS REQUIRED



2 Persons Assembly

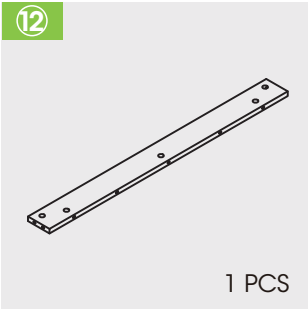
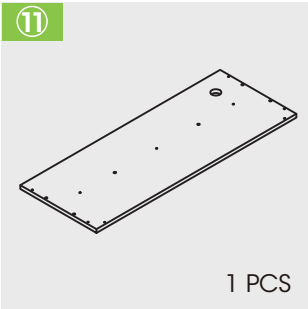
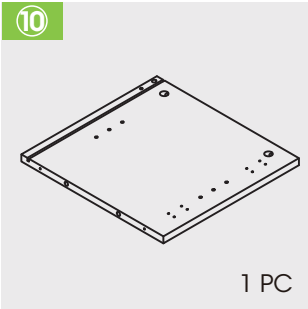
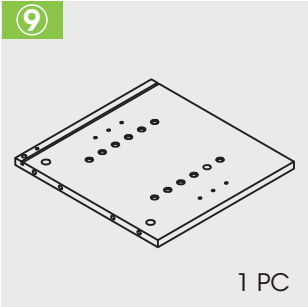
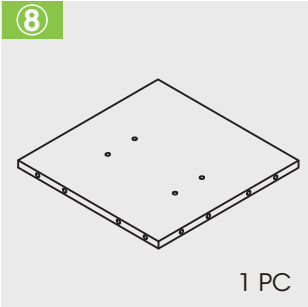
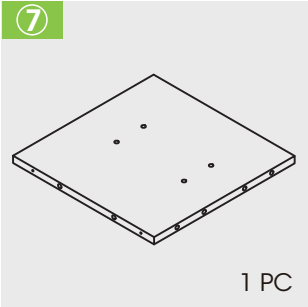
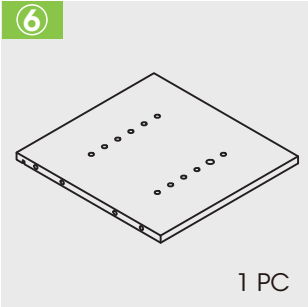
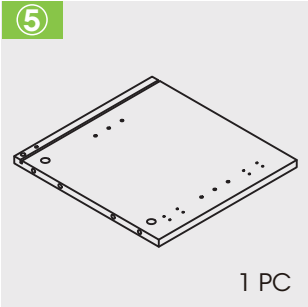
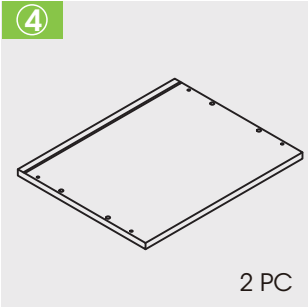
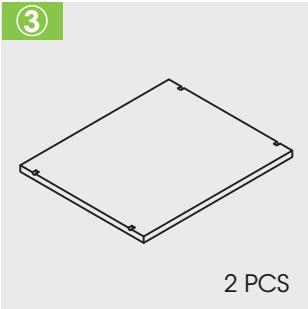
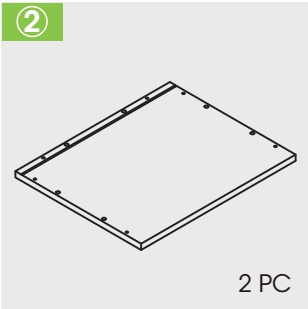
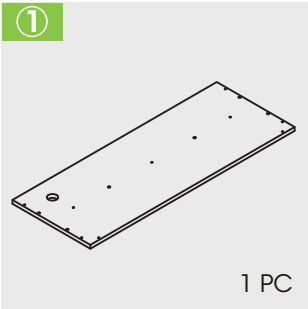


Up to 30 Minutes For Assembly

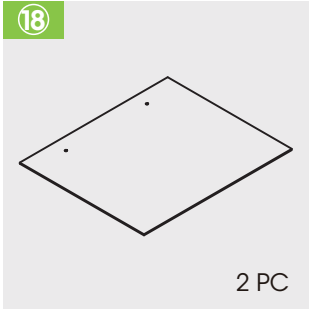
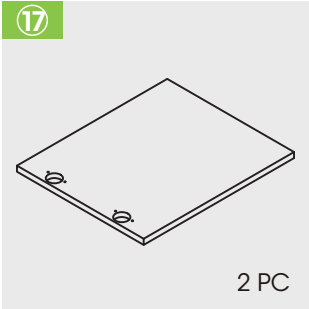
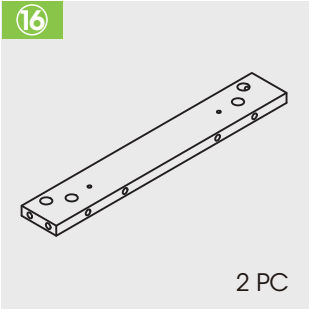
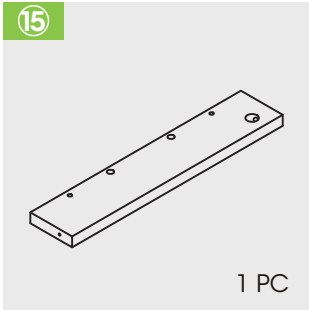
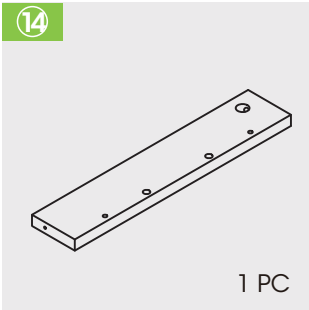
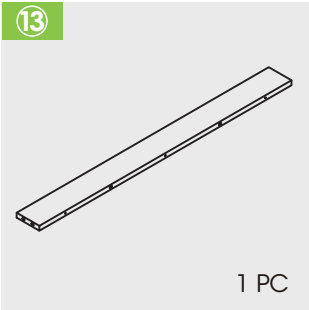


When installing, please carefully confirm whether each screw corresponds to the manual, accessories with similar shapes can be distinguished by size.

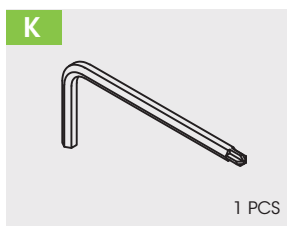
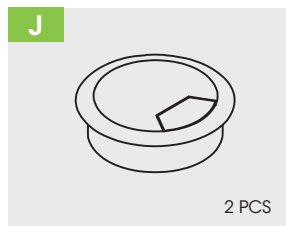
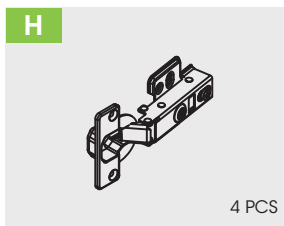
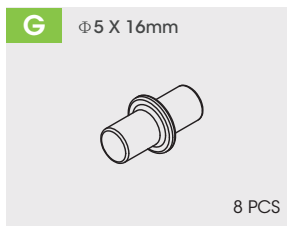
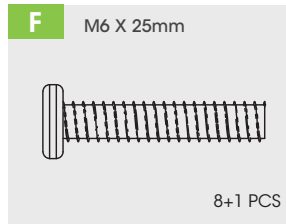
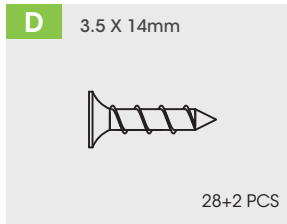
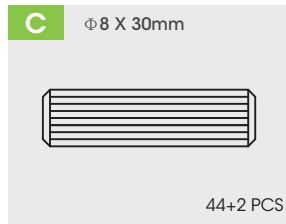
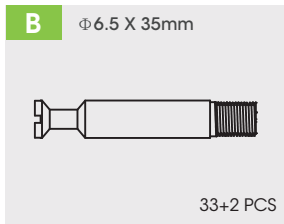
PARTS



PARTS

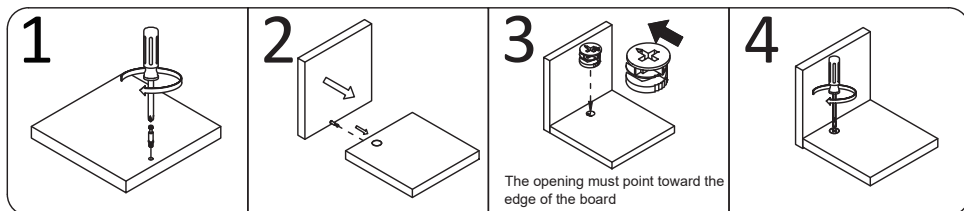


HARDWARE

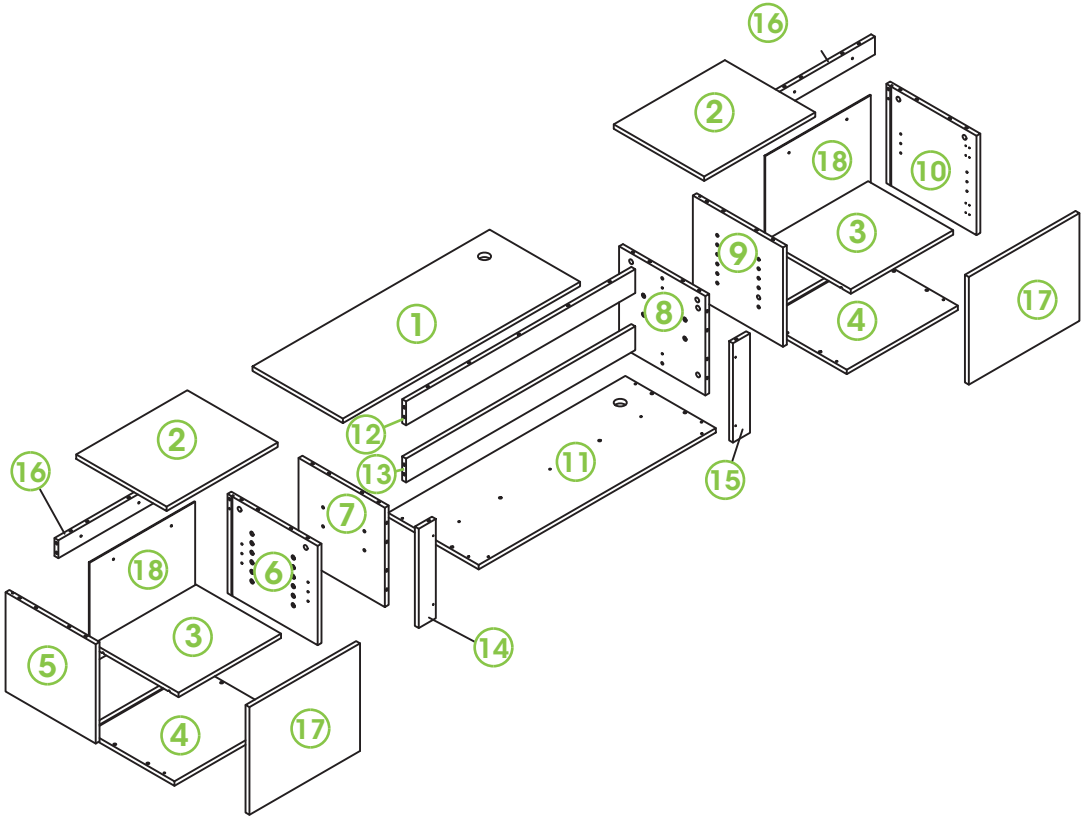


Cam Lock Fastening System

Insert the cam bolt into the hole first, then insert the cam lock and lock it.





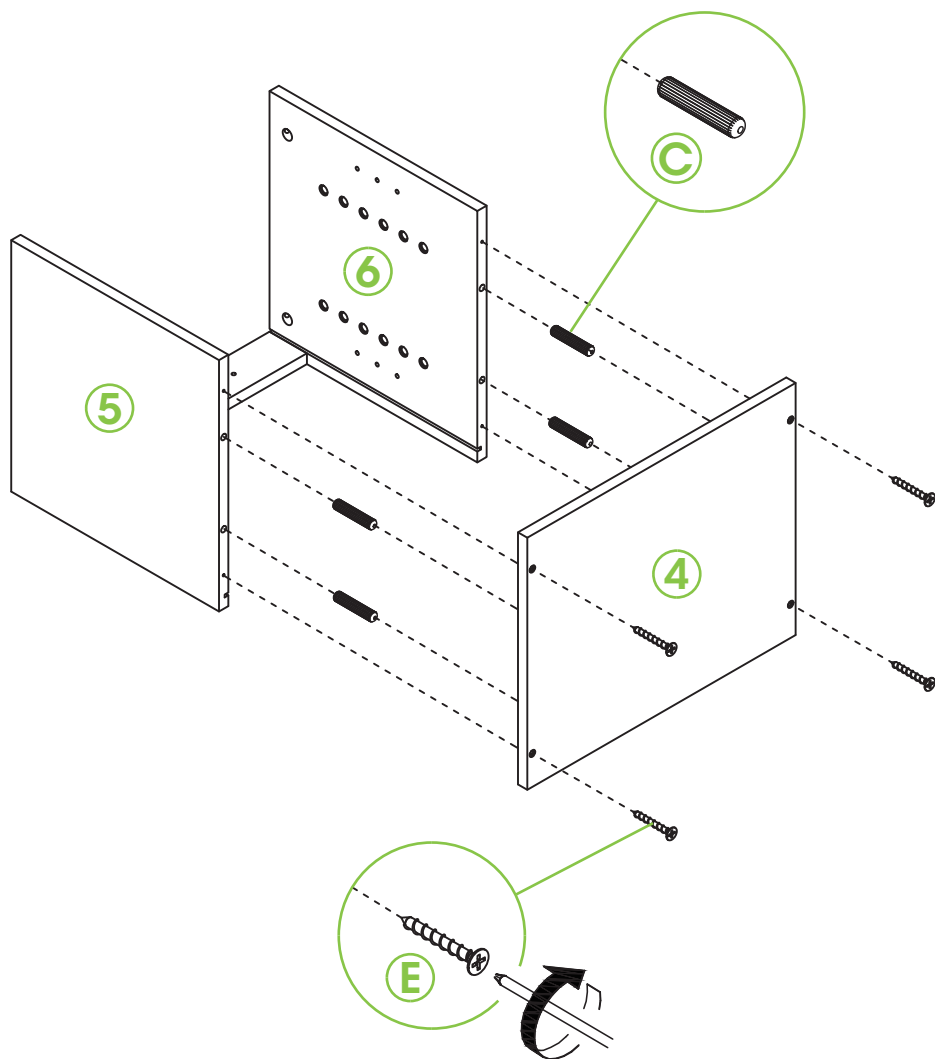
PRODUCT ASSEMBLY



PRODUCT ASSEMBLY


2

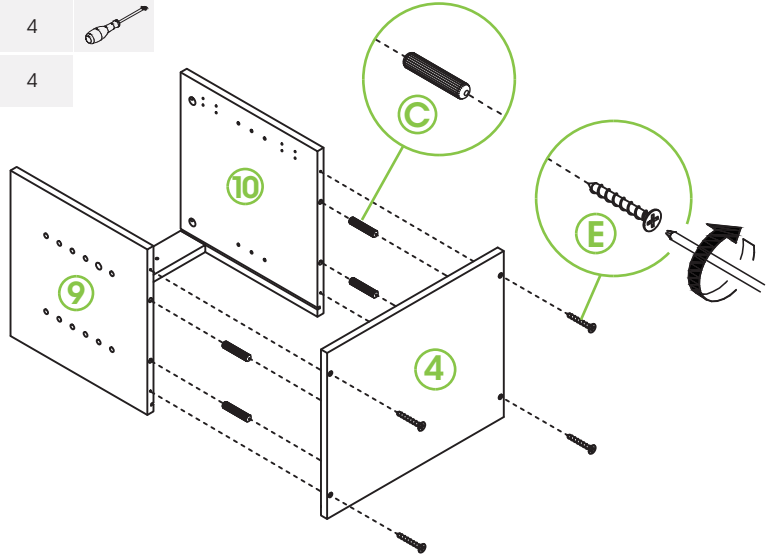
PART	NO.	QTY.	TOO.
	E	4	
	C	4	



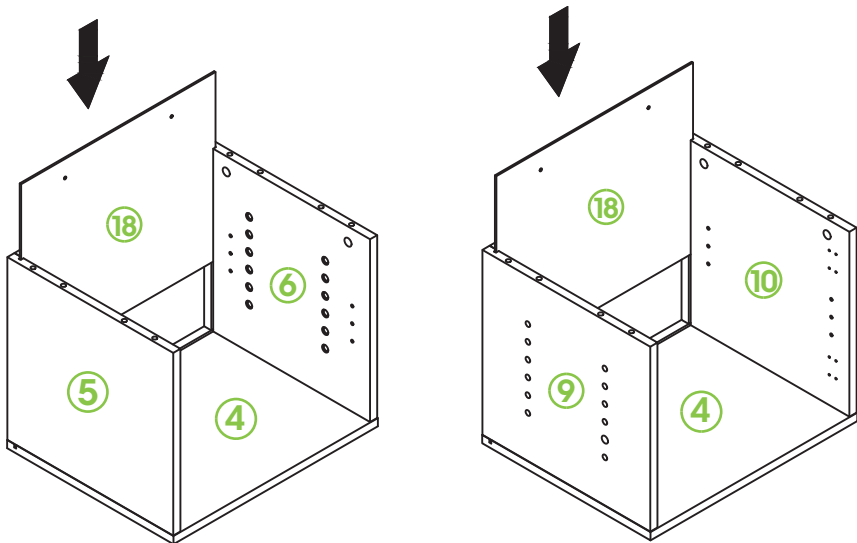
PRODUCT ASSEMBLY

4

PART	NO.	QTY.	TOO.
	E	4	
	C	4	







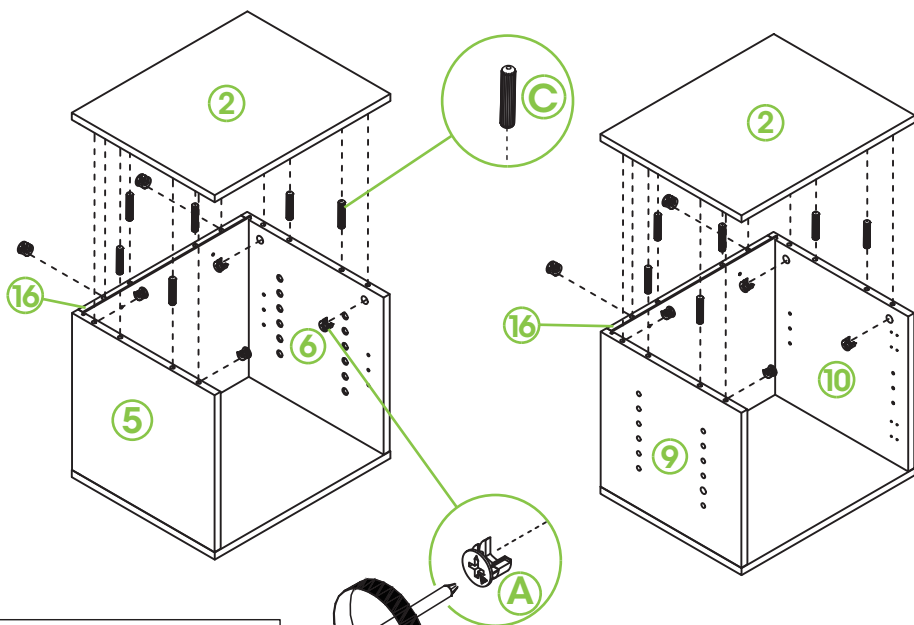
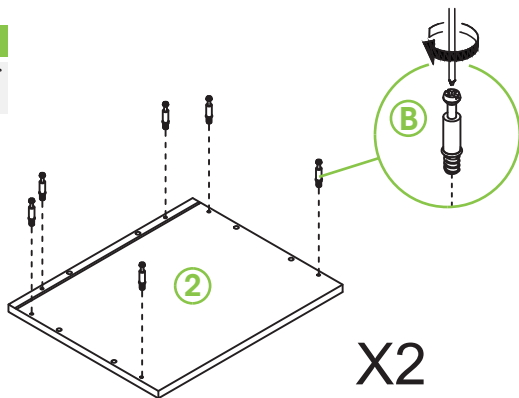
5



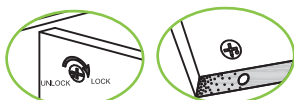
PRODUCT ASSEMBLY

6

PART	NO.	QTY.	TOO.
	A	12	
	B	12	
	C	12	



Insert the cam bolt into the hole first, then insert the cam lock and lock it.



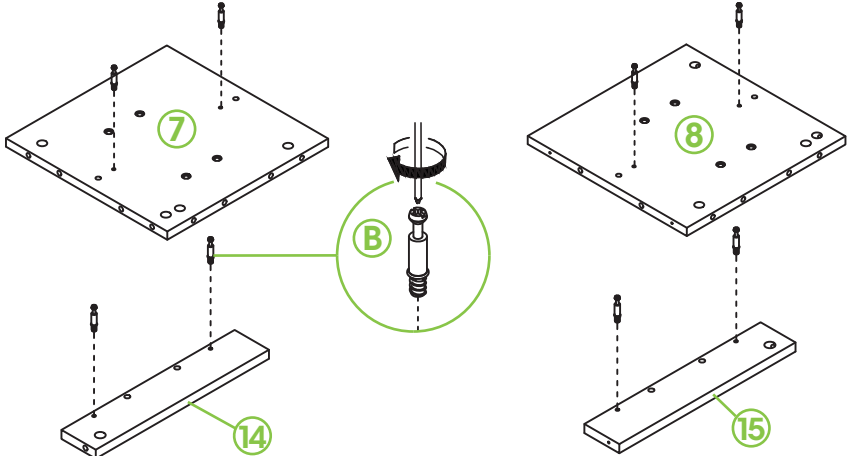
Proper orientation of CAM LOCK






PRODUCT ASSEMBLY

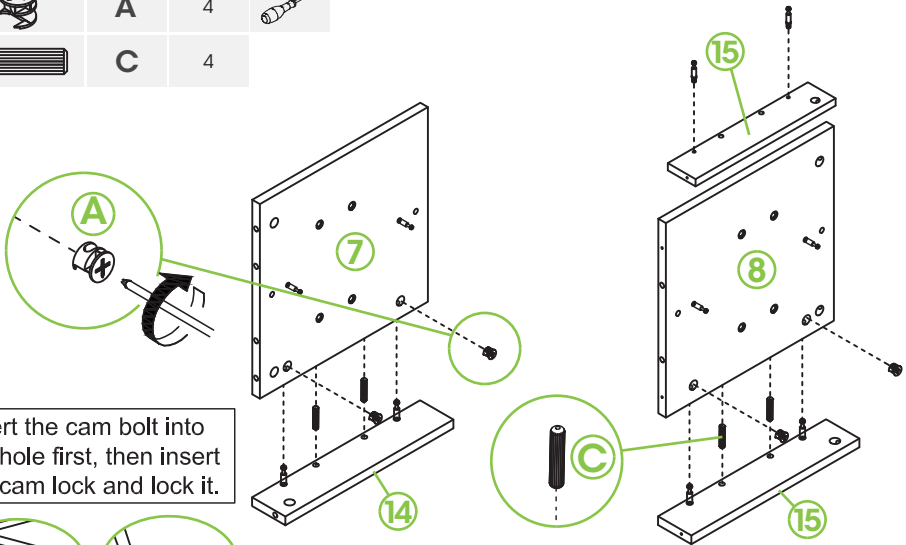
7

PART	NO.	QTY.	TOO.
	B	8	

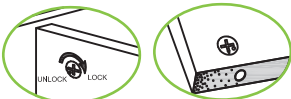


8

PART	NO.	QTY.	TOO.
	A	4	
	C	4	






Insert the cam bolt into the hole first, then insert the cam lock and lock it.

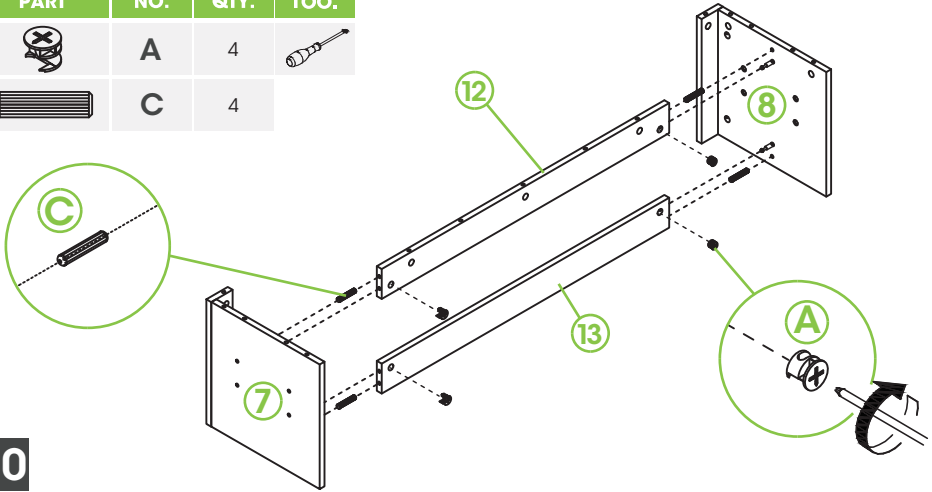


Proper orientation of CAM LOCK

PRODUCT ASSEMBLY

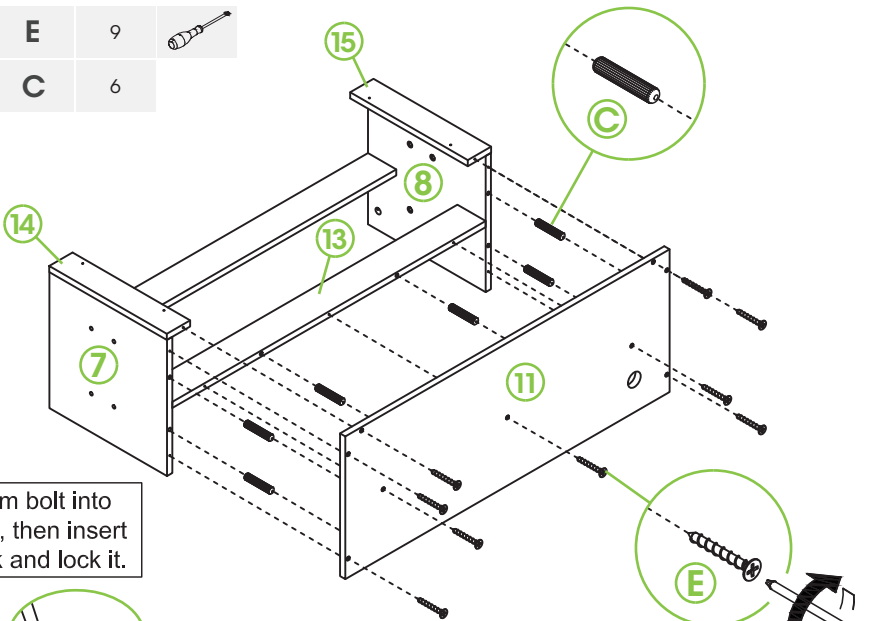
9

PART	NO.	QTY.	TOO.
	A	4	
	C	4	



10

PART	NO.	QTY.	TOO.
	E	9	
	C	6	








Insert the cam bolt into the hole first, then insert the cam lock and lock it.

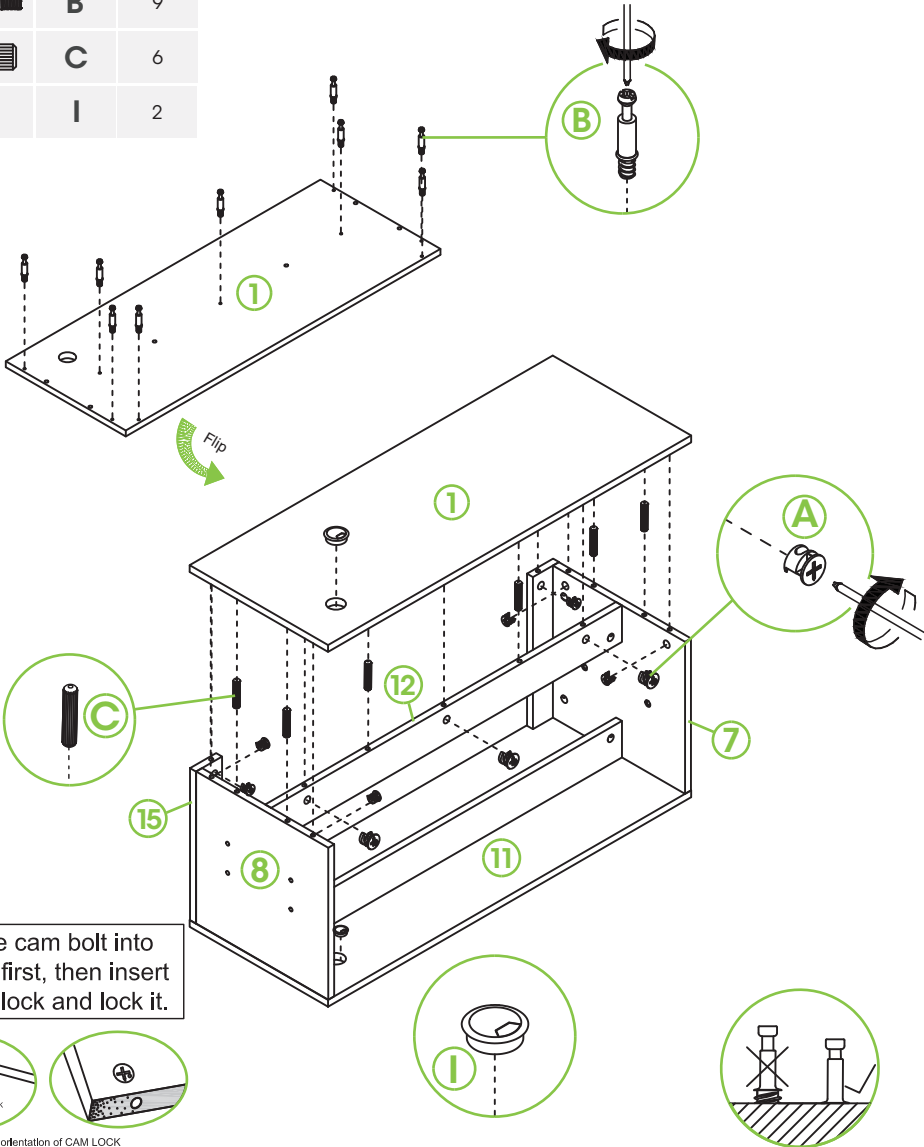


Proper orientation of CAM LOCK

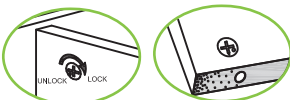
PRODUCT ASSEMBLY

11

PART	NO.	QTY.	TOO.
	A	9	
	B	9	
	C	6	
	I	2	



Insert the cam bolt into the hole first, then insert the cam lock and lock it.



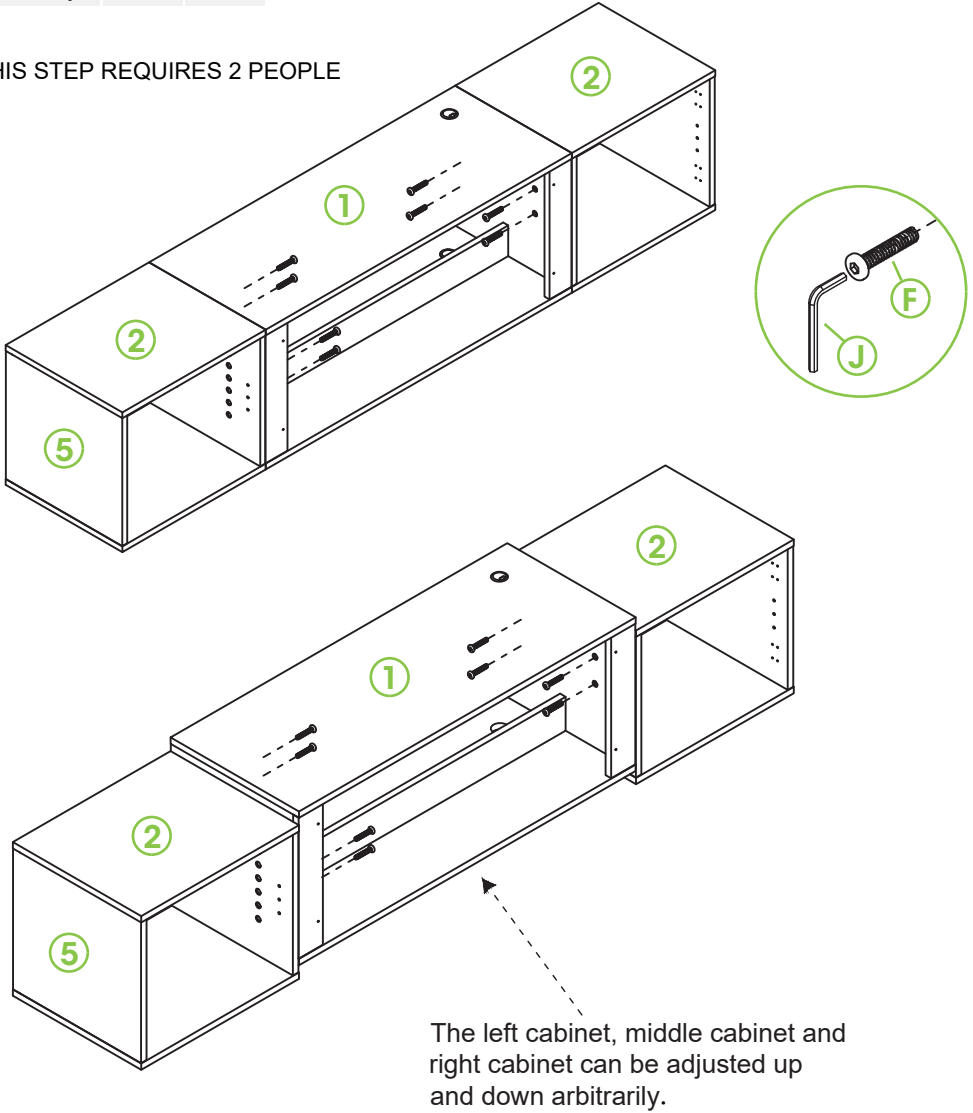
Proper orientation of CAM LOCK

PRODUCT ASSEMBLY

12

PART	NO.	QTY.
	F	8
	J	1

THIS STEP REQUIRES 2 PEOPLE



The left cabinet, middle cabinet and right cabinet can be adjusted up and down arbitrarily.

PRODUCT ASSEMBLY

13

PART	NO.	QTY.	TOO.
	K	1	

TIPPING RESTRAINT HARDWARE KIT

THIS STEP REQUIRES 3 PEOPLE

STEP1

Set the hole position near the wall



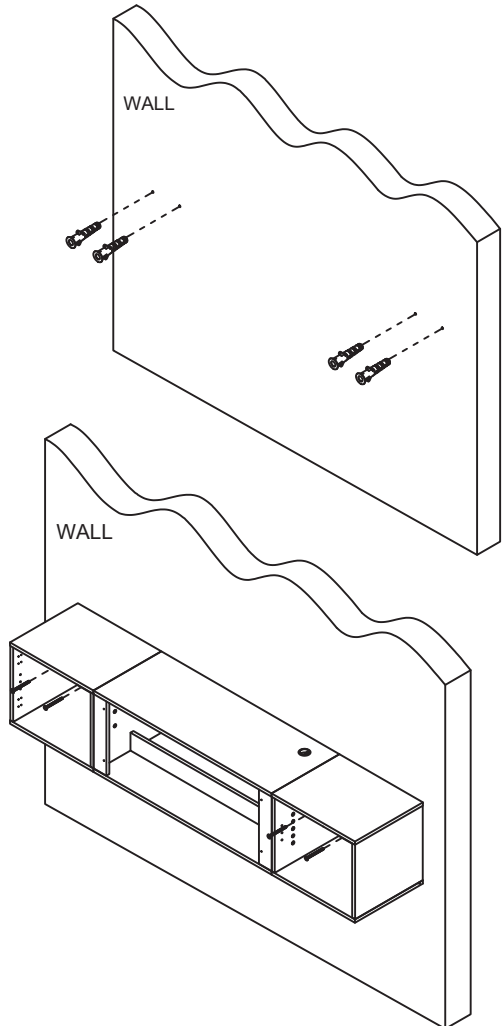
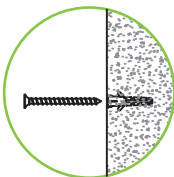
STEP2

Put the embedded part into the hole






STEP3

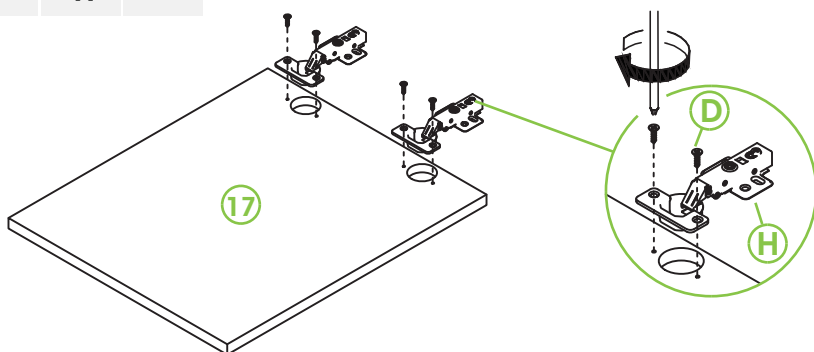
Put the screw part into the hole



PRODUCT ASSEMBLY

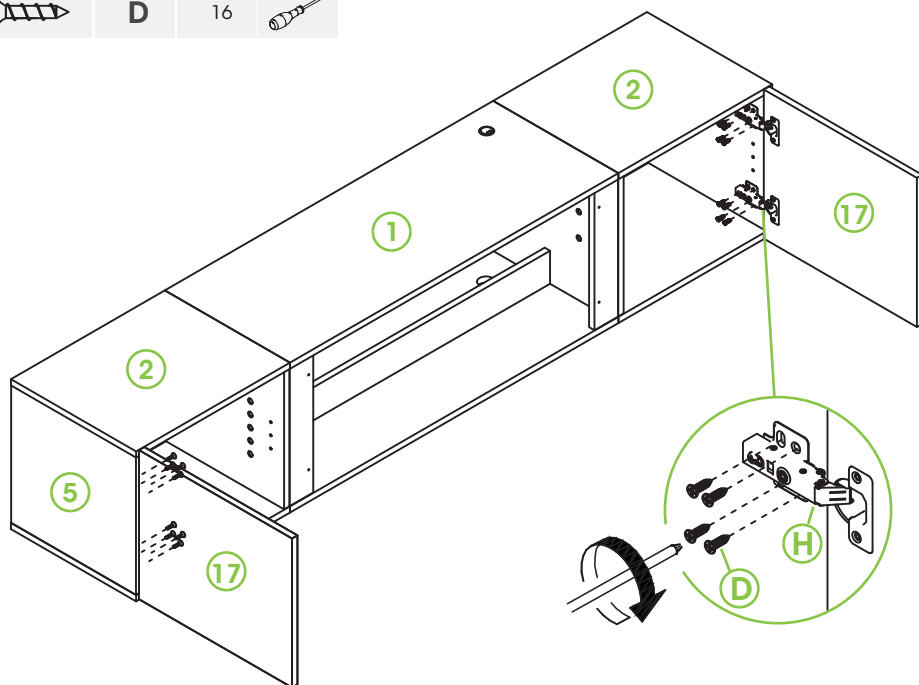
14

PART	NO.	QTY.	TOO.
	D	8	
	H	4	



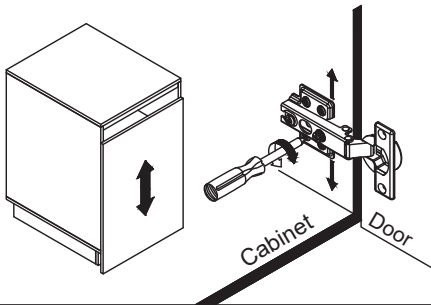
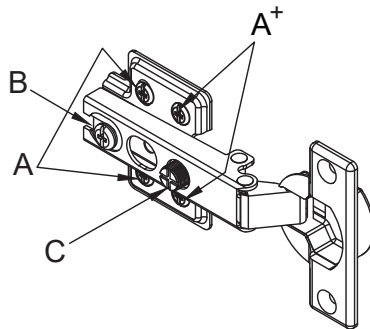
15

PART	NO.	QTY.	TOO.
	D	16	



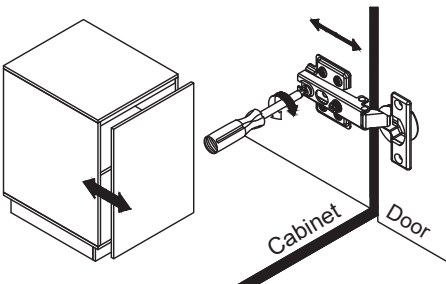
PRODUCT ASSEMBLY

16



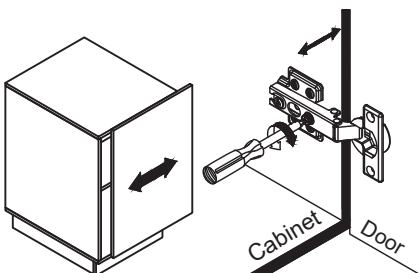
[How to adjust vertical height of the door]

- First remove the 2 screws "A+" on the hing .
- Then loosen the 2 screws "A" on the hinge so that it can be adjusted up or down a few millimeters.
- Then tighten "A" and reinstall "A+".



[How to adjust depth of the door]

- Loosen screw "B" and adjust the depth of th door.
- If screw "B" is loose, the depth of the door stil cannot be adjusted. Simply loosen the screw "C" slightly to adjust the position of the door forward and backward.
- After adjusting the position, tighten screw "B" last.




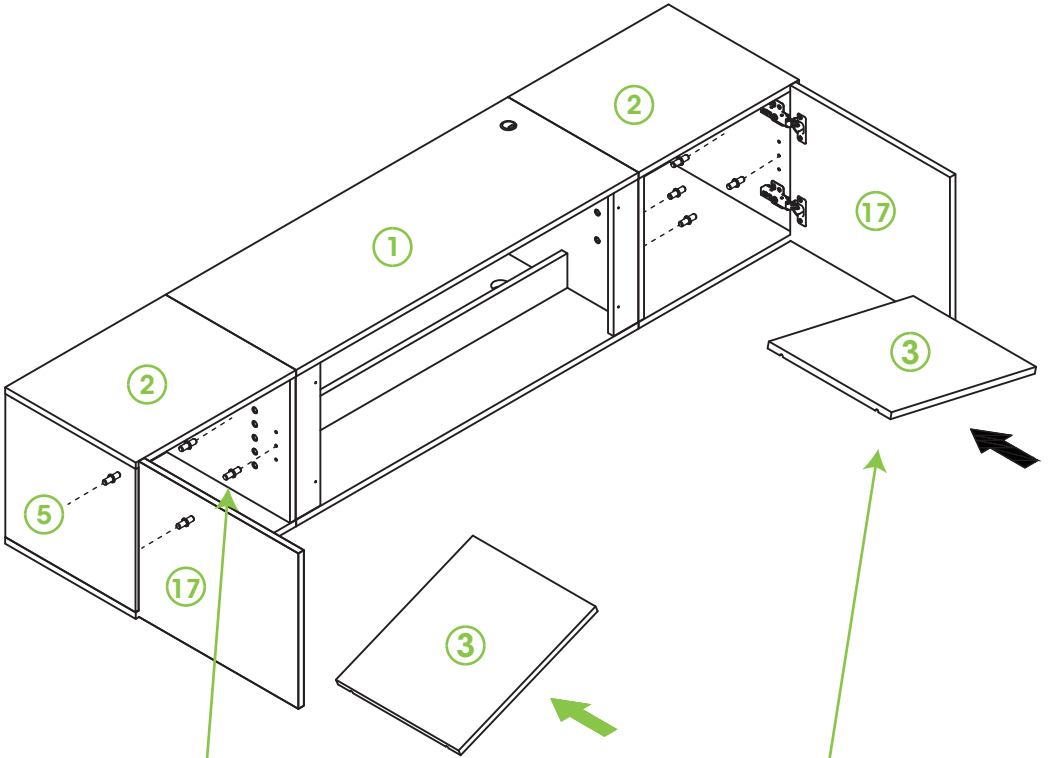
[How to adjust the level of the door]

- Turn screw "C" on hinge to adjust the level of the door.

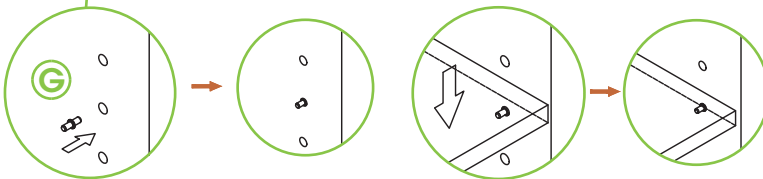
PRODUCT ASSEMBLY

17

PART	NO.	QTY.
	G	8



The mounting plate 3 is placed in the direction as shown in the figure.



Select the desired height and put it in

Aim the board gaps down

PRODUCT ASSEMBLY

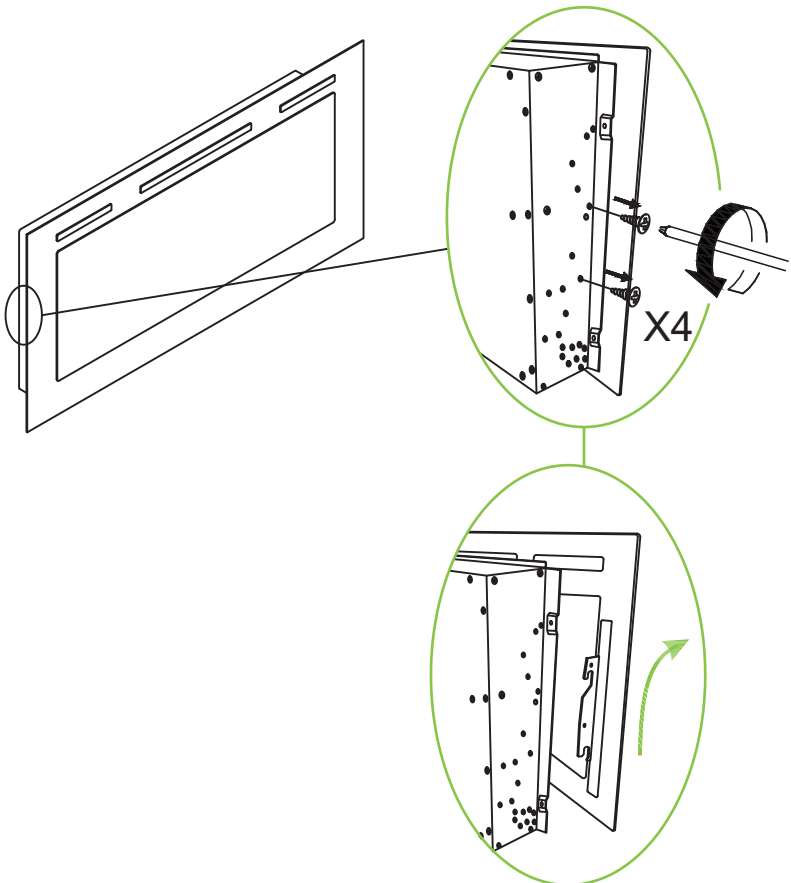
18

TOO.



NOTE: Dear customer. if you purchase a TV stand & fireplace set. the package for the fireplace and the package for the TV stand will be delivered separately. If you purchase only the TV stand, the fireplace is not included.

Remove four silver screws from the sides of the heater (two screws on each side)
Remove the tempered glass by lifting it from the lugs on the side.

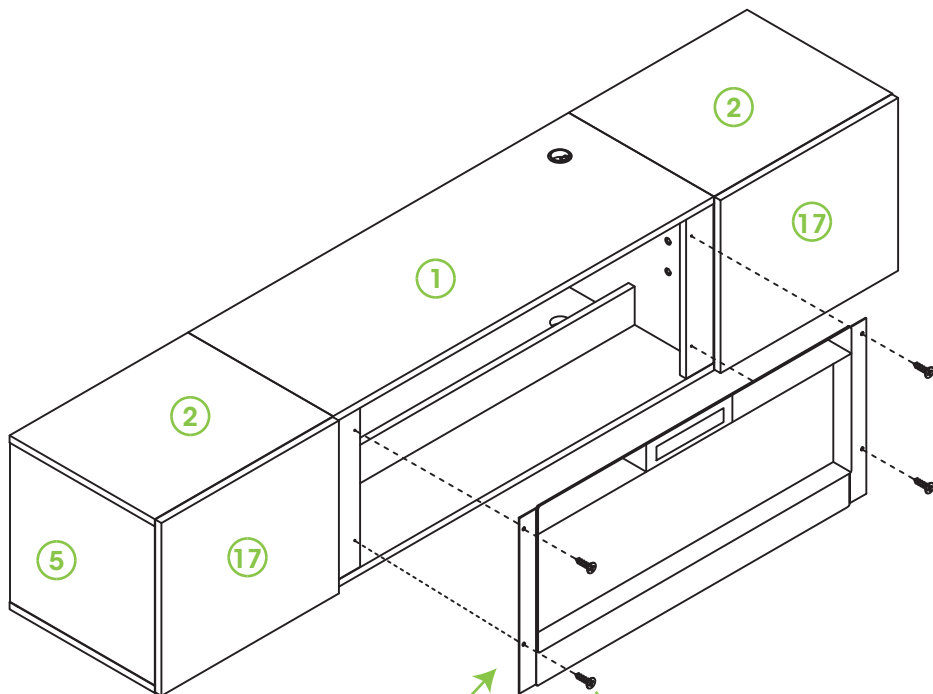


Remove the fireplace panel.

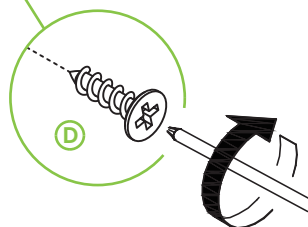
PRODUCT ASSEMBLY

19

PART	NO.	QTY.	TOO.
	D	4	



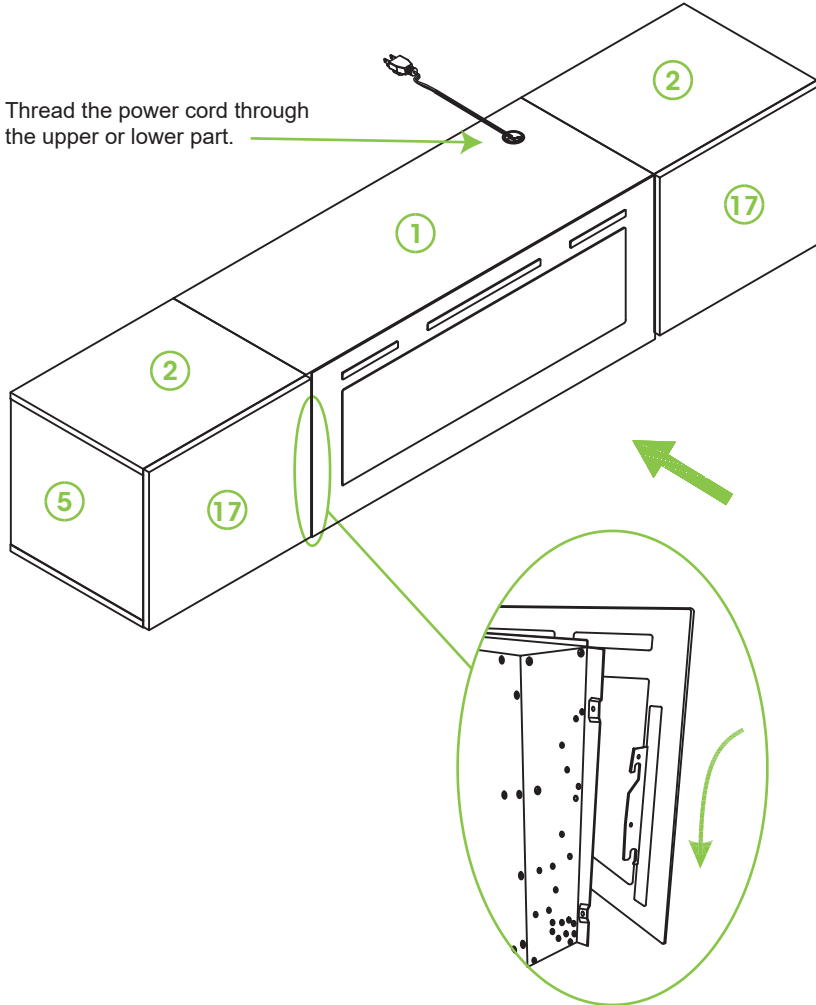
After adjusting the fireplace to the correct position, fix it with screws.



PRODUCT ASSEMBLY

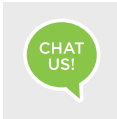
20

Place the front glass surround over the front of the fire aligning the slot in the bracket at each side of the glass panel with the lugs on the sides of the fire.



HELP CENTER

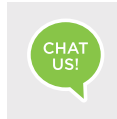
Question about your product? We're here to help. Visit us at:



Chat Support



Product Inquiry



Orders FAQ



Product Assembly



Returns & Refunds

We Stand Behind the Quality of Their Furniture

If you have any issues with your item please let us know! We will always do our best to come up with a solution that you will be happy with.

Please get in touch with our customer service team before returning the product.

And pls do not throw the original box(es) if you have not finished assembling or confirmed no quality issues.

Length of return period:

Items can be returned within 30 days of purchase.

In the meanwhile, everything you purchased from us comes with a one-year warranty.

Who is responsible for the return shipping fee:

We will cover the return shipping fees if:

1. Your item has a manufacturing defect in its materials or workmanship. For example, torn wicker or misaligned screw holes. We will send you a prepaid shipping label after photos are sent.
2. Your item has been damaged in transit. For example, glass is broken or wicker is damaged. We will send you a prepaid shipping label after photos are sent.
3. You receive the wrong box(es) due to a warehouse error. We will send you a prepaid shipping label after photos are sent of the wrong SKU numbers on the outer box(es).
4. One or more boxes are lost in transit. We will send you a prepaid shipping label if you no longer want the item.

* However, we still hope to work with you for a better solution instead of a return. Please don't hesitate to contact our customer service team.

Customer will cover the return shipping fees if:

1. You don't like the product(s) after receiving the box(es).
2. You no longer need the product(s) but you have received the box(es).
3. You buy the product(s) by mistake but you have received the box(es).
4. Order/Shipment cancellation failed and you have received the box(es).

Return Request

In order to get a full refund as described in this return policy, all items must be: (1) In a brand new/unused condition, please provide photos before and after packaging. (2) When returning, all accessories and parts are firmly packed in all original packaging. If your return does not meet the requirements, you may not get a full refund.

When will I be refunded?

The refund is released once the goods have been returned to our warehouse.

What if the product is damaged/defective outside of the valid return period?

We want you to be a happy customer. Please reach out to us by email and we will come up with a solution to make sure you are satisfied.