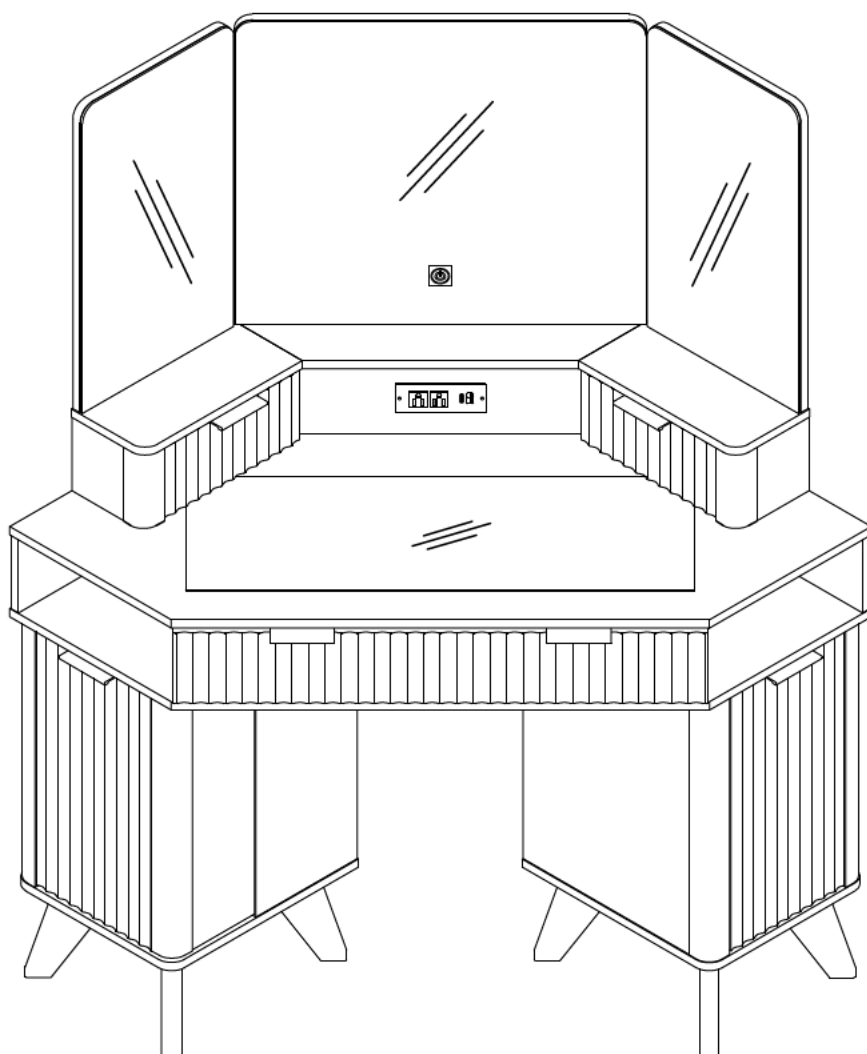
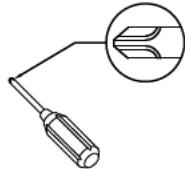


Assembly Instructions

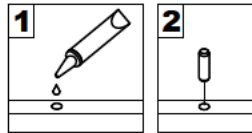


General Assembly Guidelines

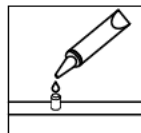
- I. Ensure that all parts and hardware are available before beginning assembly.
- II. Follow each step carefully to ensure the proper assembly of this product.
- III. Two people are recommended for ease in the assembly of this product.
- IV. A Phillips head screwdriver is required for the assembly of this product .



- V. The provided glue is to secure wood dowels in place . When first inserting dowels , locate the appropriate hole for the dowel , place a small amount of glue in the hole and insert the dowel . Wipe away excess glue immediately.

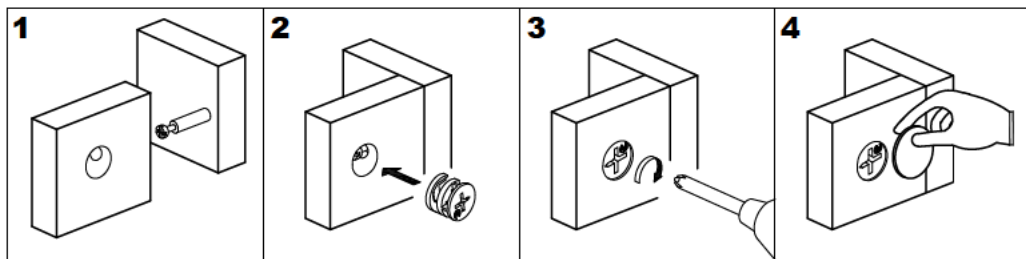


In future assembly steps when dowels are necessary to attach assembly parts together , place a small amount of glue on the end of the dowel before attaching parts together . Wipe away excess glue immediately.

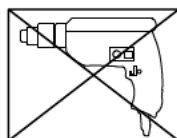


VI HOW THE KNOCK DOWN (KD) ASSEMBLY SYSTEM WORKS

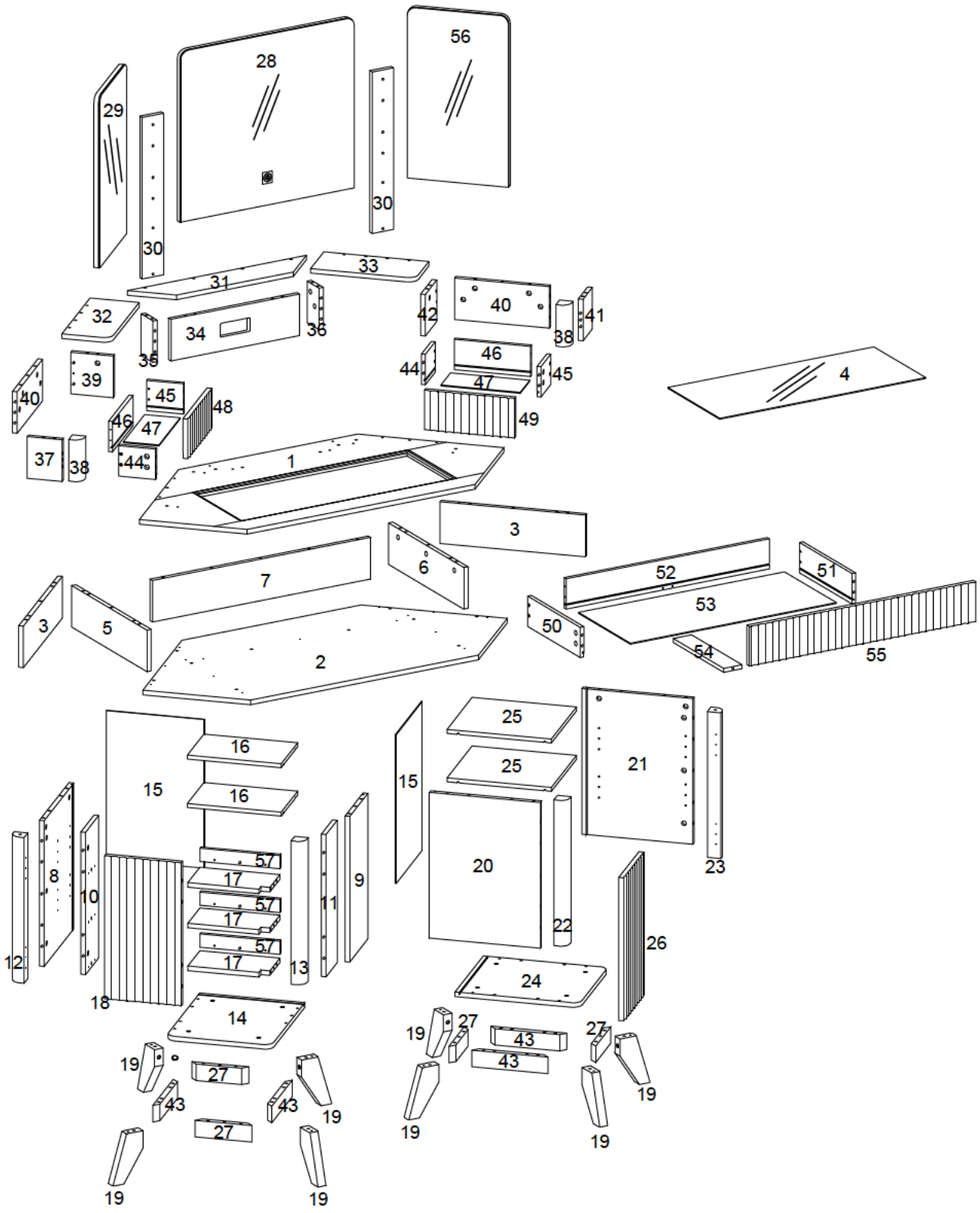
- 1.Screw the Cam Bolt into the pre-drilled hole on the panel. Make sure Cam Bolt goes into the pre-drilled hole on the end of panel for Cam Lock.
- 2.Insert the Cam Lock into the pre-drilled large hole on the panel. Make sure the arrow on the face of Cam Lock points towards Cam Bolt.
- 3.Take a Phillips screwdriver and rotate the Cam Lock clockwise to lock the Cam Bolt.
- 4.Use the sticker to conceal the Cam.




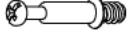


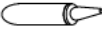











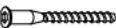
- VII. Power tools should not be used to assemble this product .

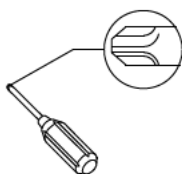


Parts List








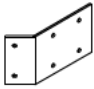
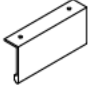
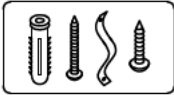









Hardware List

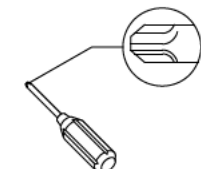
A		Ø8x30mm	Large dowel	110 pcs
B		Ø6x35mm	Cam bolt	89 pcs
C		Ø15x11mm	Large Cam lock	58 pcs
D		Ø30mm	Cam cover	89 pcs
E			Glue tube	2 pcs
F		Ø5*16mm	Shelf Pin	16 pcs
G		M 4	Allen Wrench	1 pc
H		Ø3.5x12mm	Screw	28 pcs
J		Ø15x9mm	Small Cam lock	31 pcs
K		Ø4x38mm	Screw	41 pcs
L			Power Cord W/USB	1 pc
M			Plastic wedge	12 pcs
N		Ø3*17mm	Screw	12 pcs
O			Hinge	4 pcs
P		Ø6x30mm	Small dowel	9 pcs
Q		Ø1/4"x50mm	Bolt	16 pcs
R		Ø6*50mm	Bolt	24 pcs



Philips head screwdriver required for assembly
(not included)

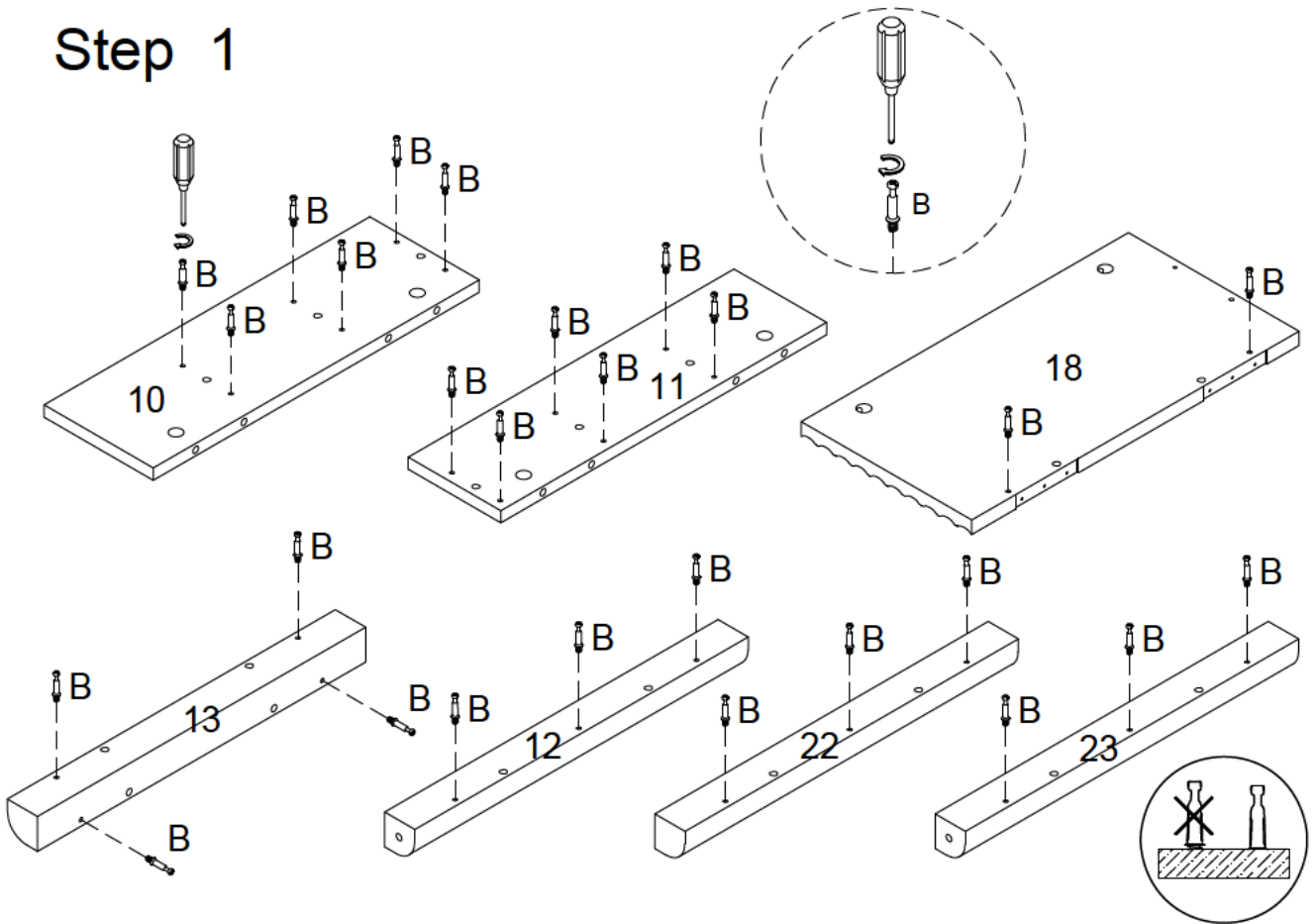
Hardware List

S		Ø1/4"x28mm	Bolt	8 pcs
T			Bracket	8 pcs
U		Ø5*15mm	Screw	16 pcs
V		Ø1/4"x22mm	Bolt	4 pcs
W		Ø8x20mm	Medium dowel	8 pcs
X			Bracket	2 pcs
Y			Handle	6 pcs
Z			Tipping Restraint Hardware	2 sets
AA		12"	Left Glide Track	1 pc
BB		12"	Left Glide Runner	1 pc
CC		12"	Right Glide Track	1 pc
DD		12"	Right Glide Runner	1 pc
EE			Magnetic catch	2 pcs
FF		Ø3*15mm	Screw	4 pcs
GG		Ø3.5x14mm	Screw	36 pcs
HH			Metal piece	2 pcs
JJ			Power plug	1 pc

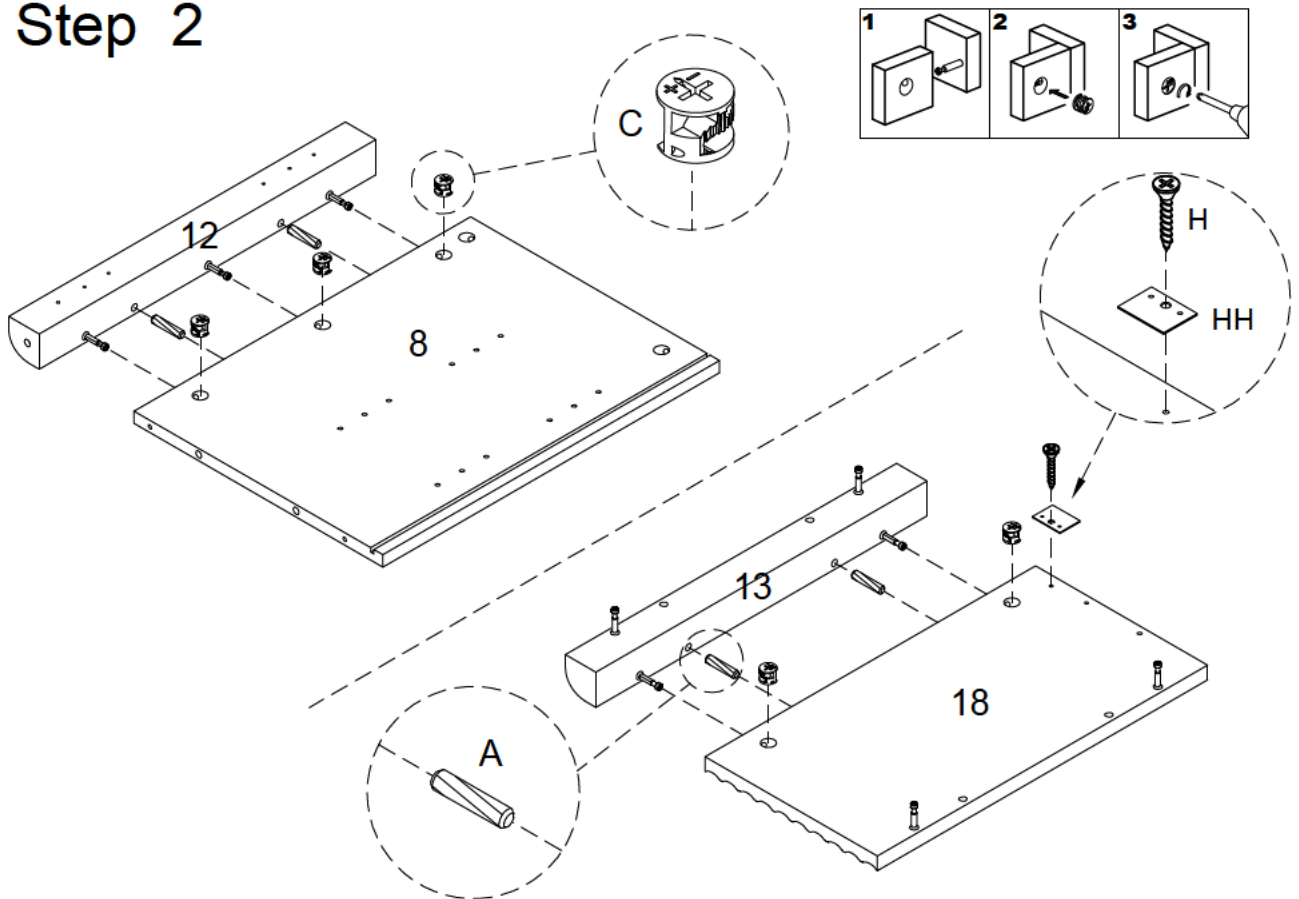


Philips head screwdriver required for assembly
(not included)

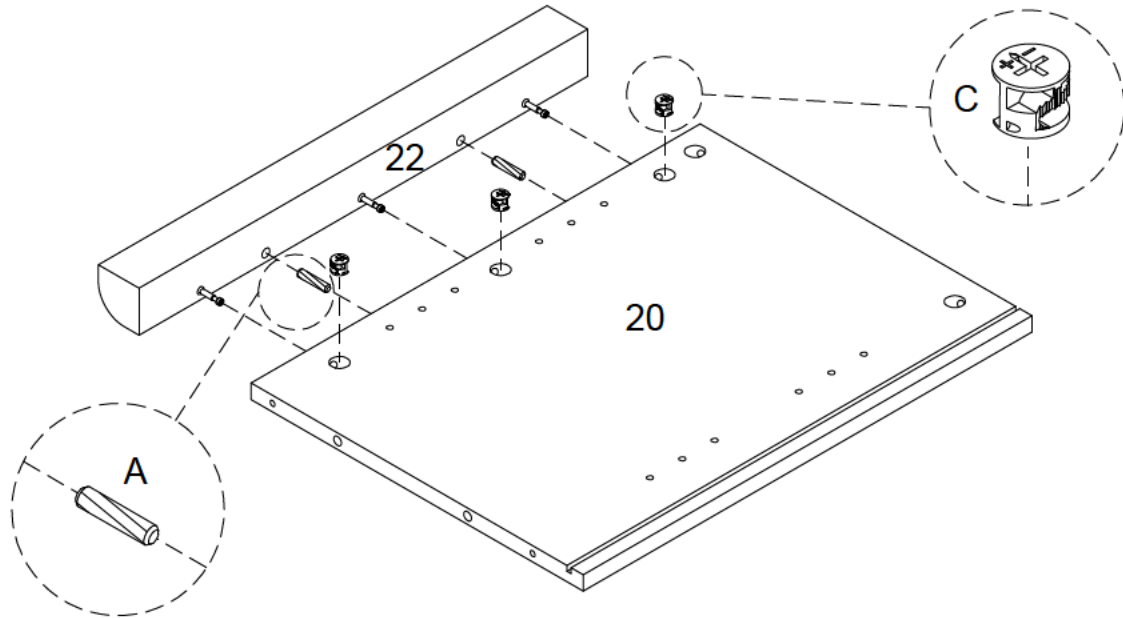
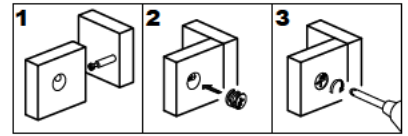
Step 1



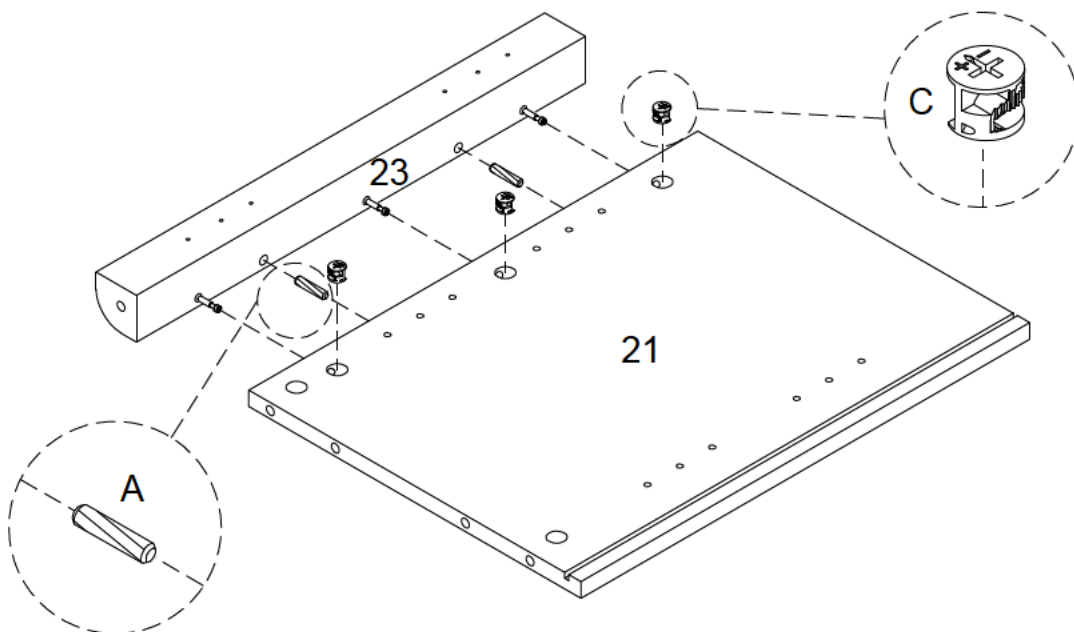
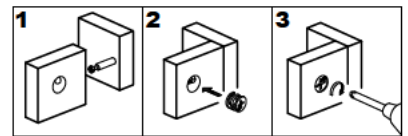
Step 2



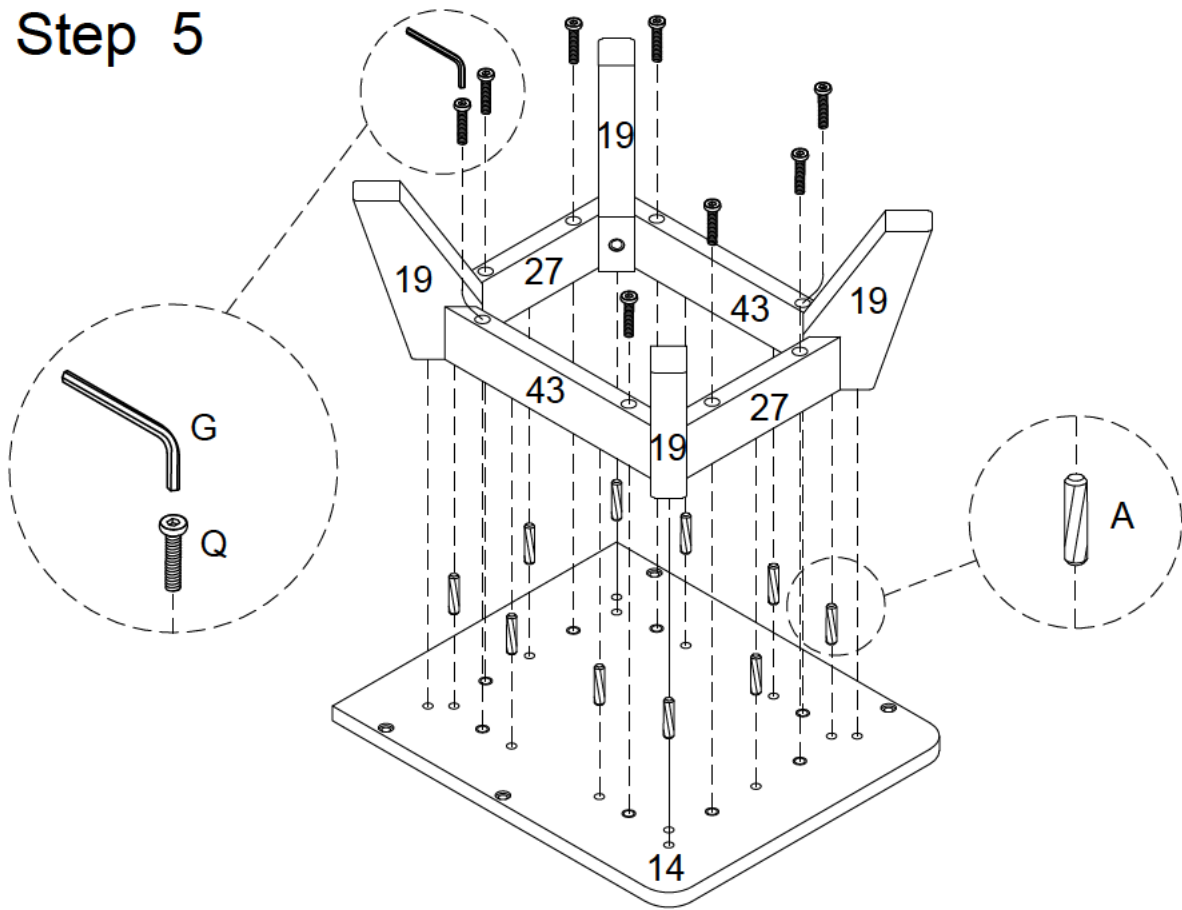
Step 3



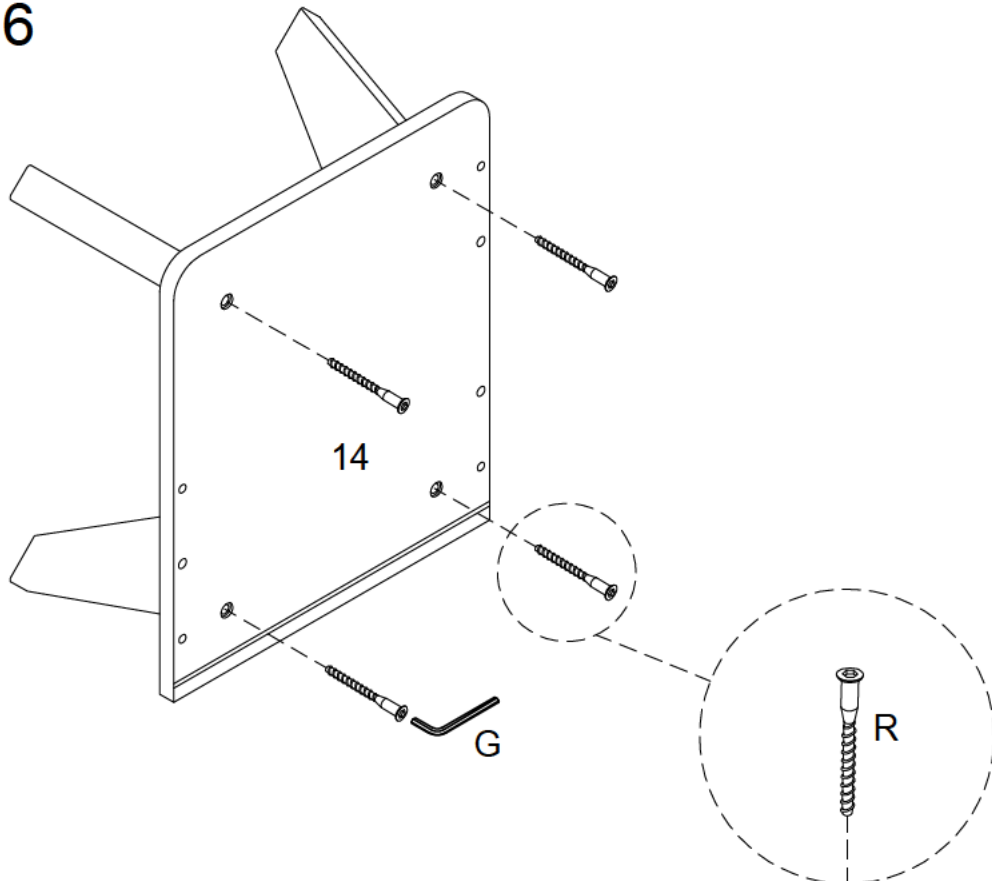
Step 4



Step 5

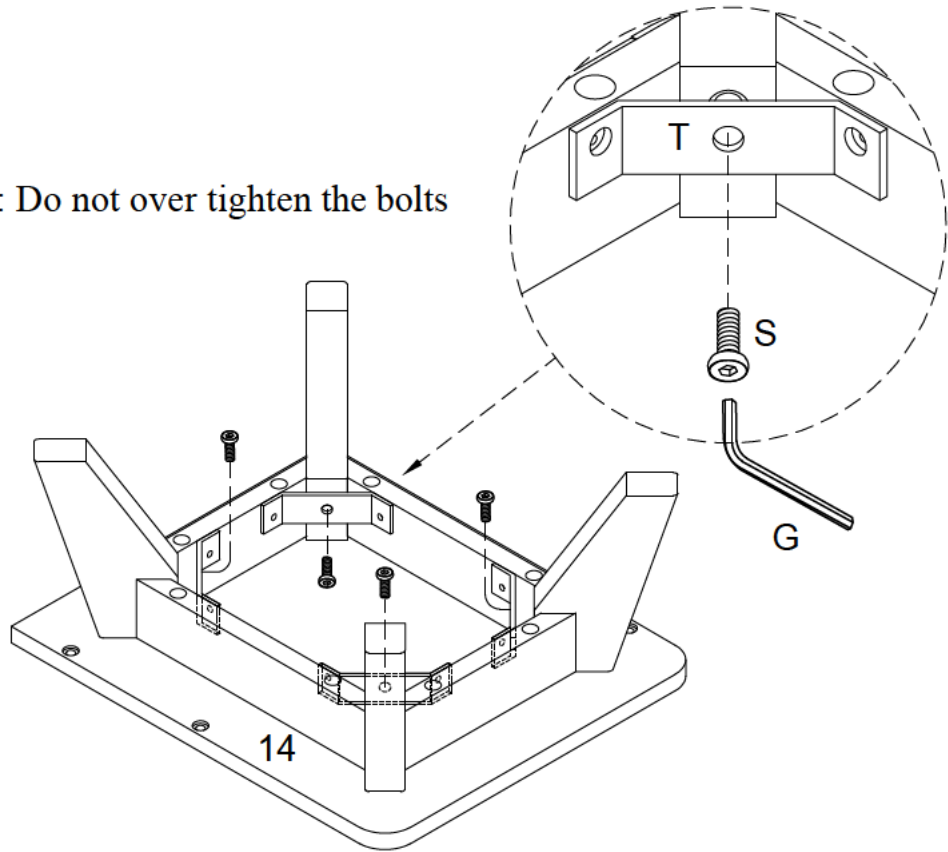


Step 6

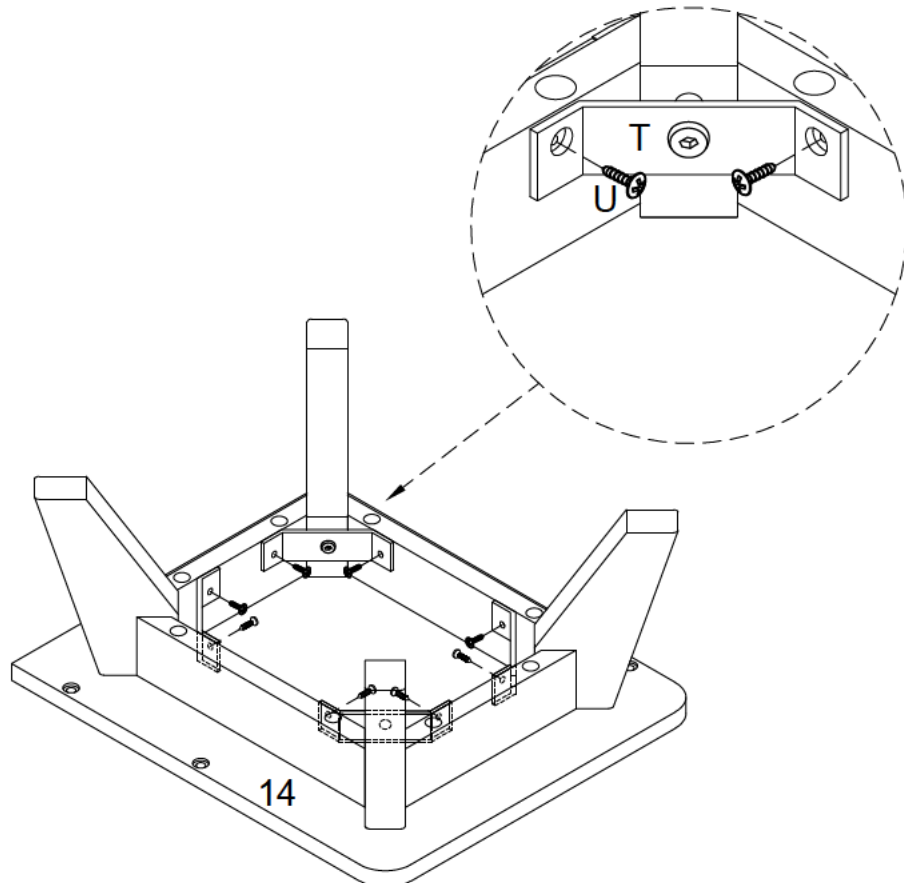


Step 7

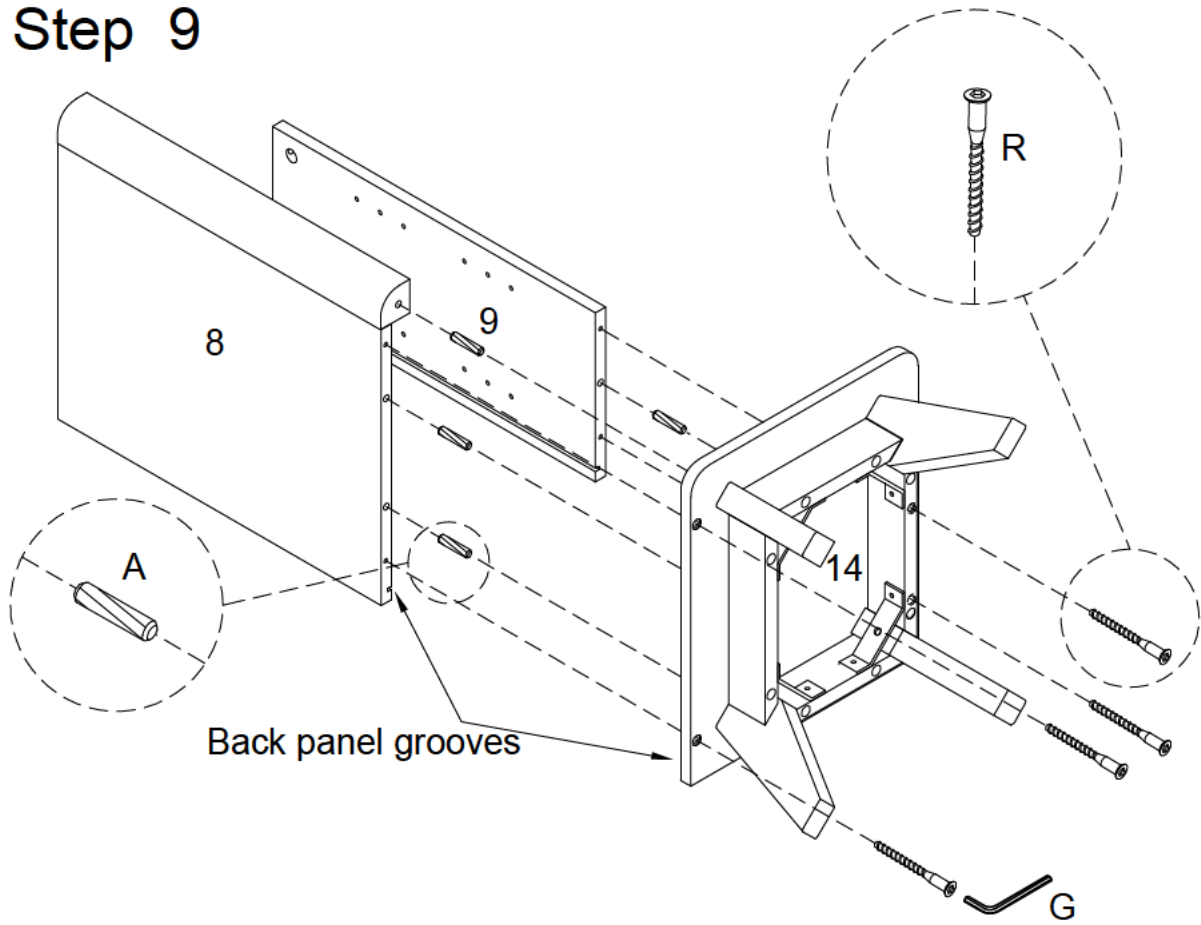
Note: Do not over tighten the bolts



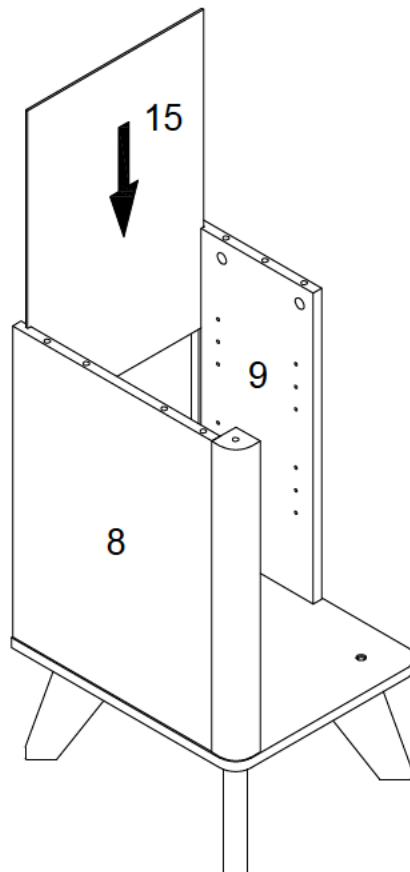
Step 8



Step 9

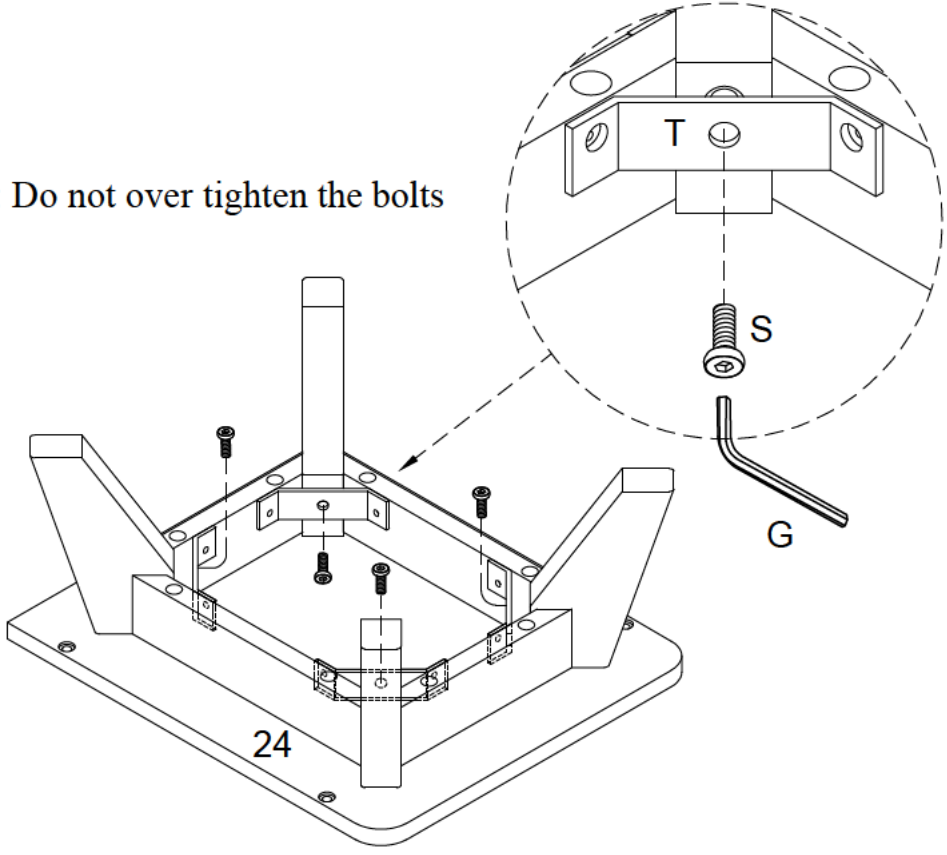


Step 10

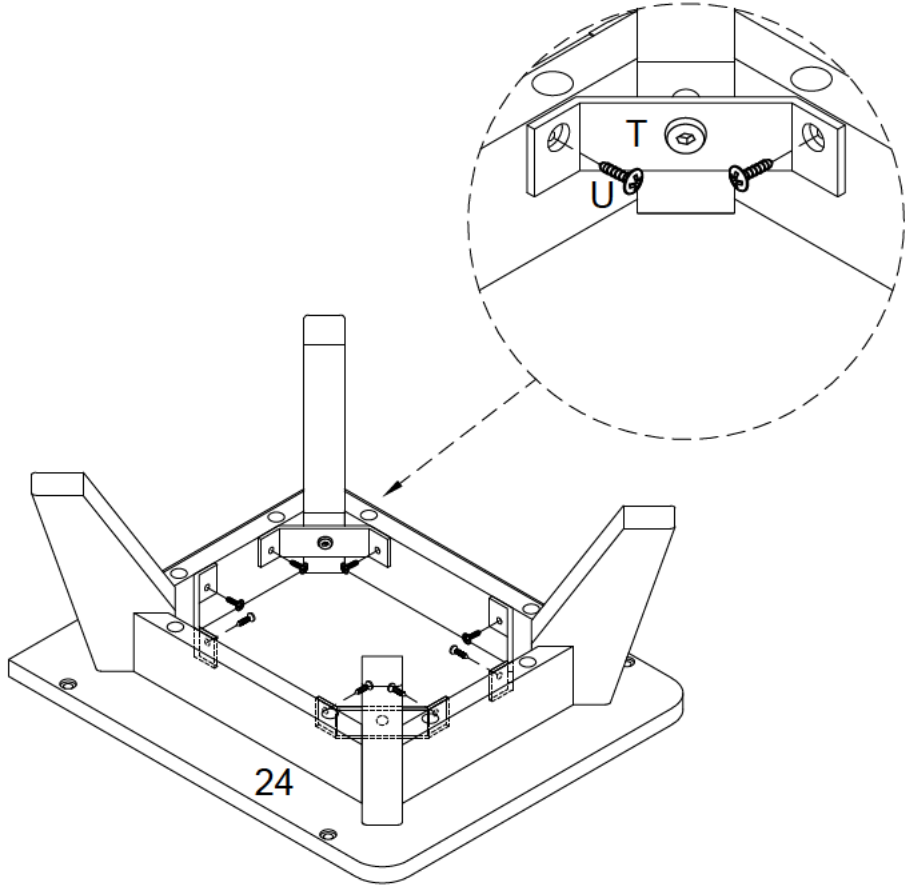


Step 13

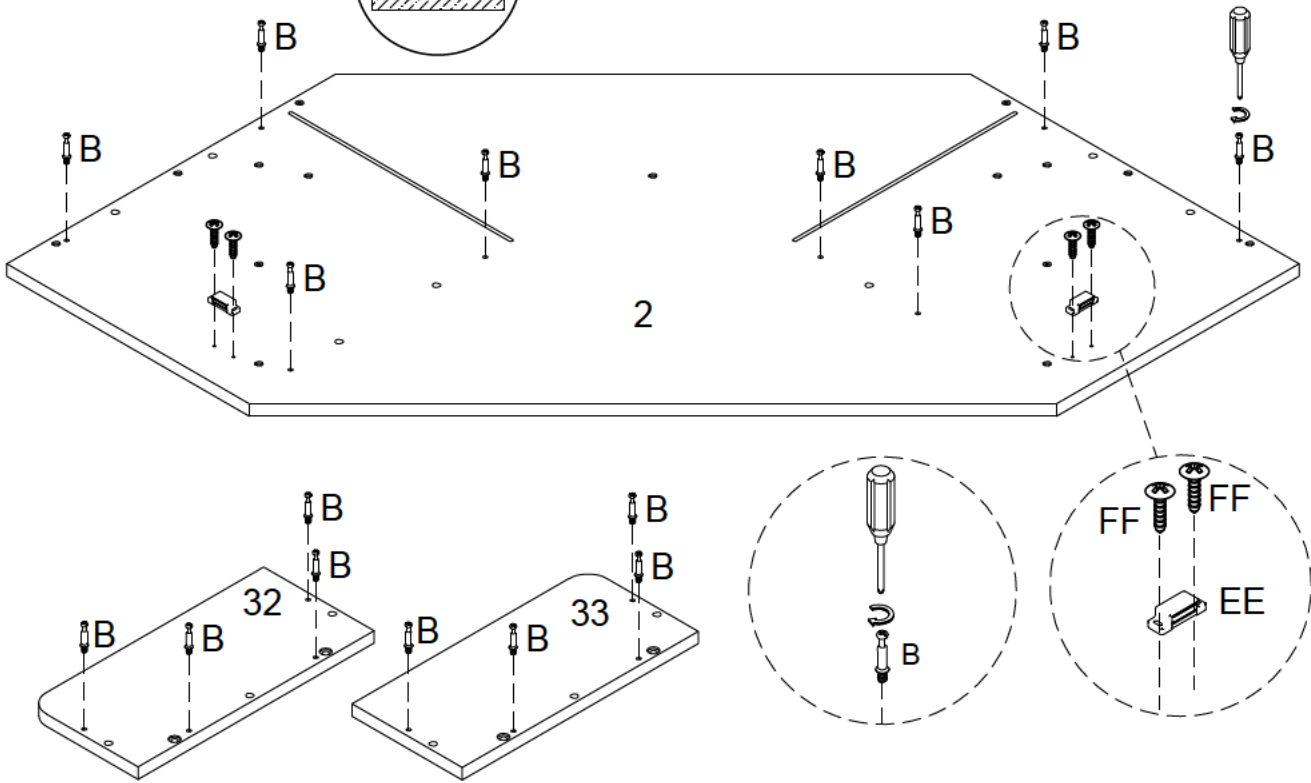
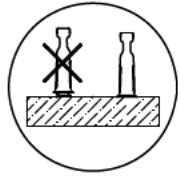
Note: Do not over tighten the bolts



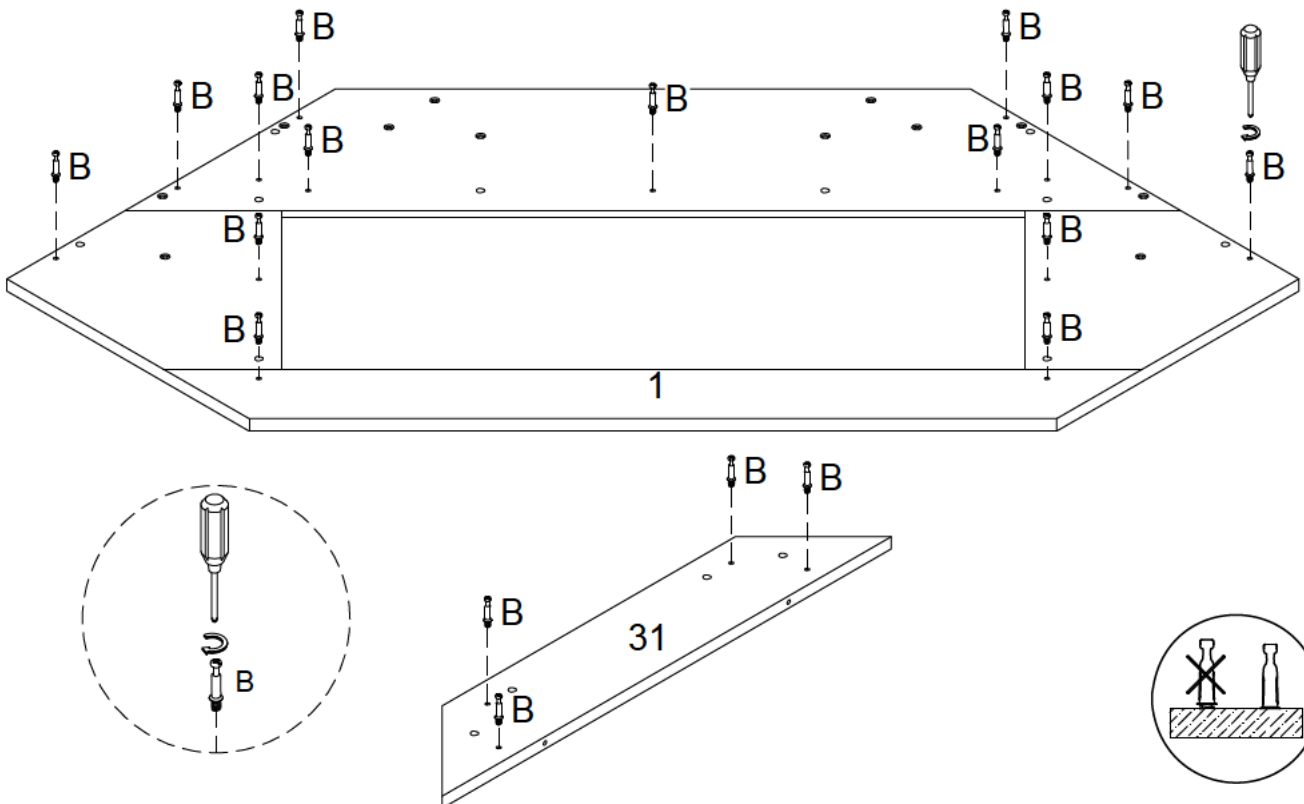
Step 14



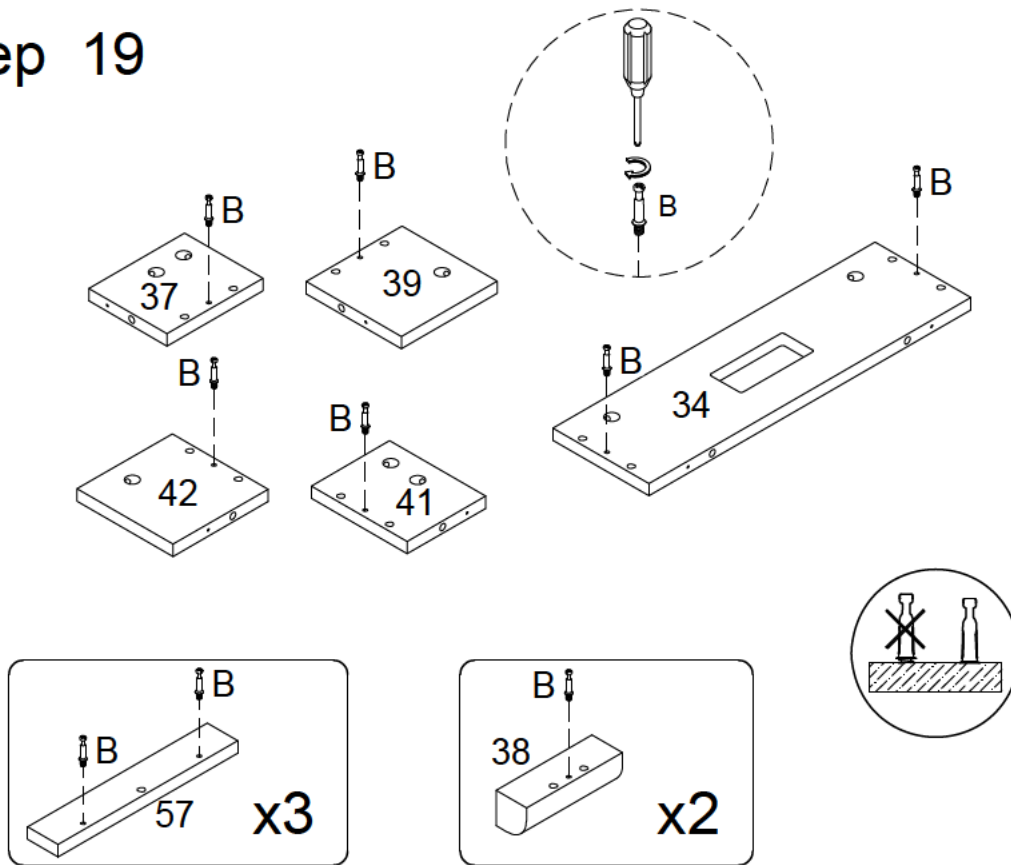
Step 17



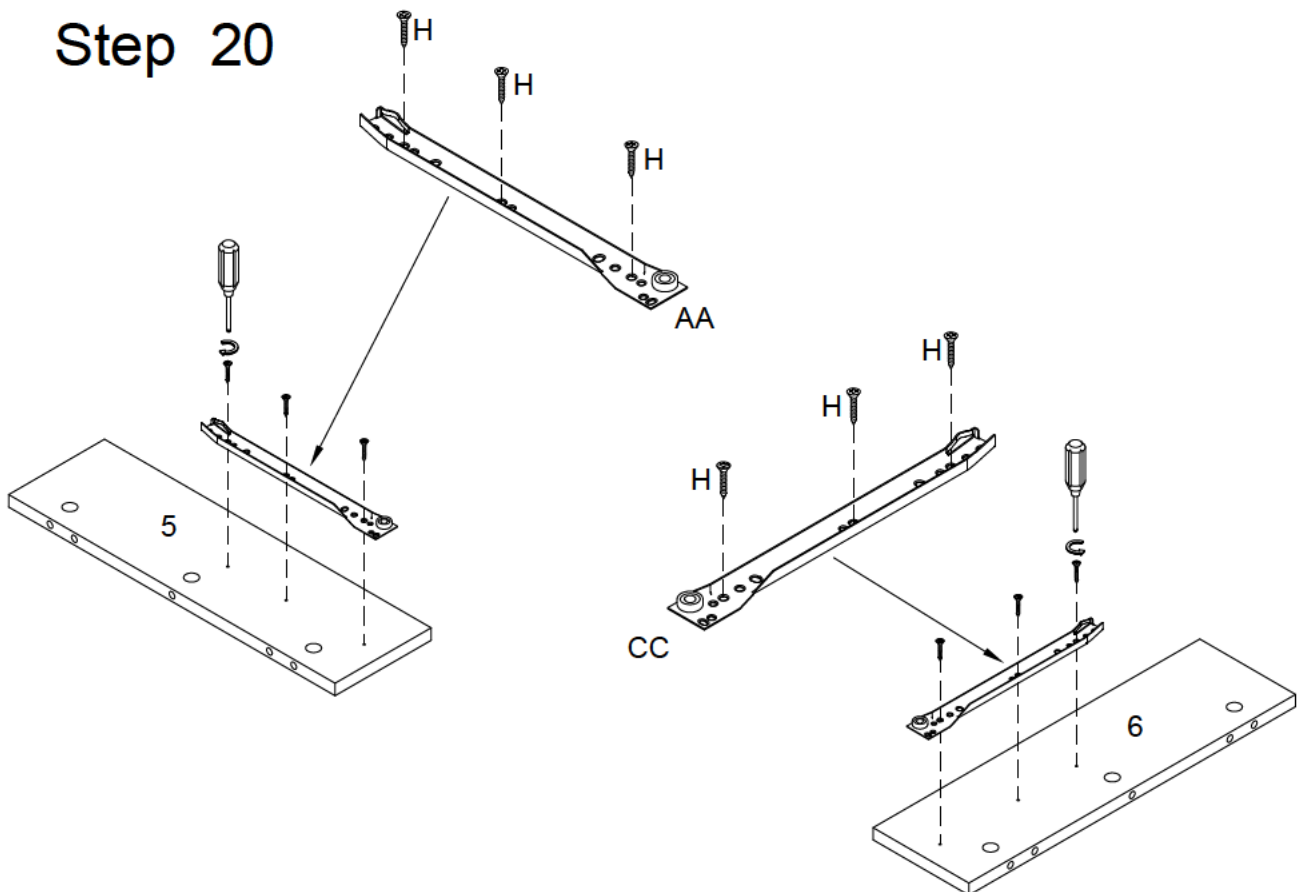
Step 18



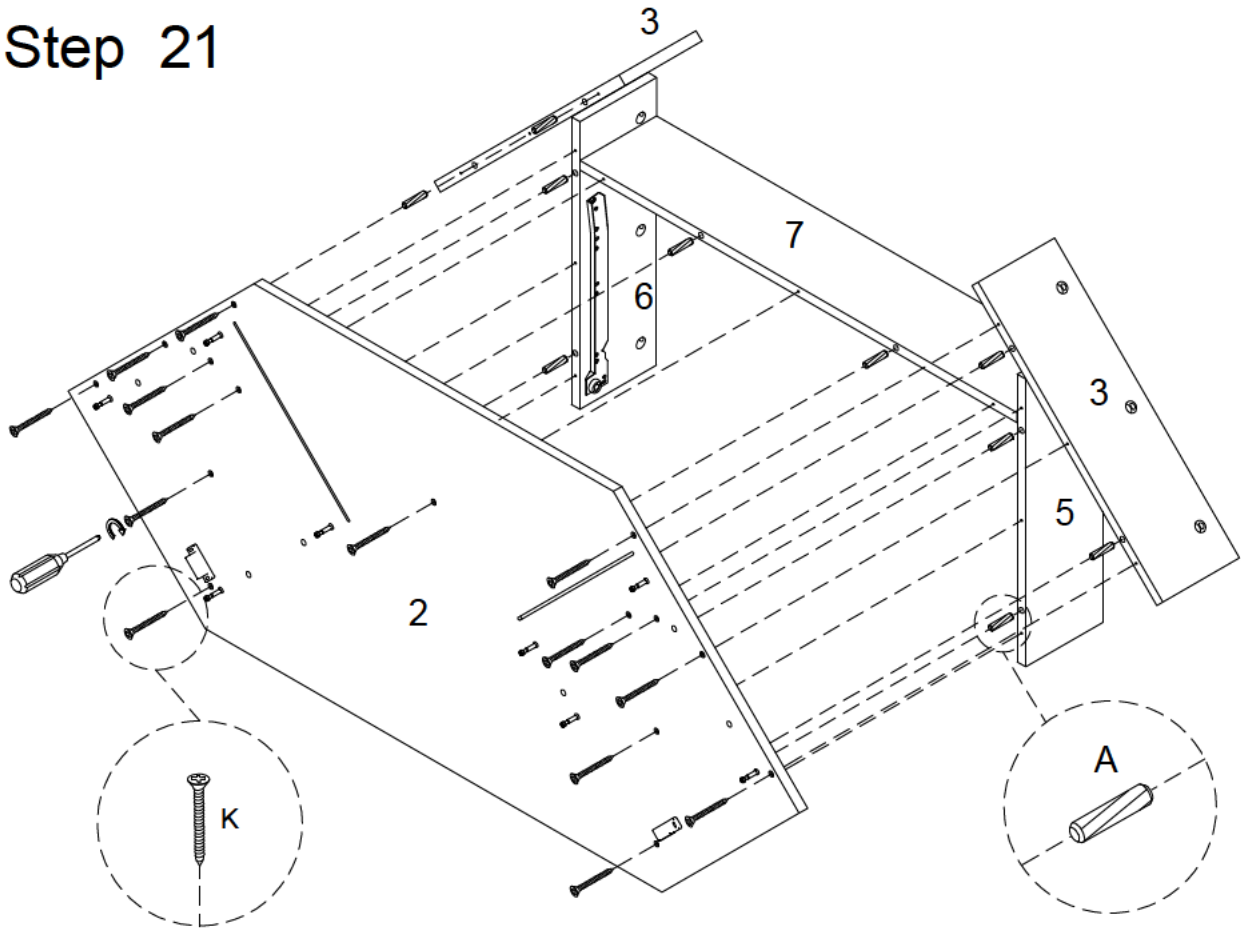
Step 19



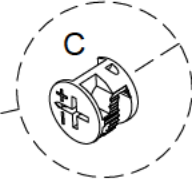
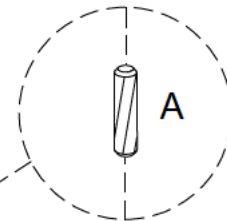
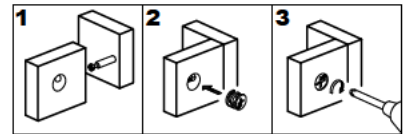
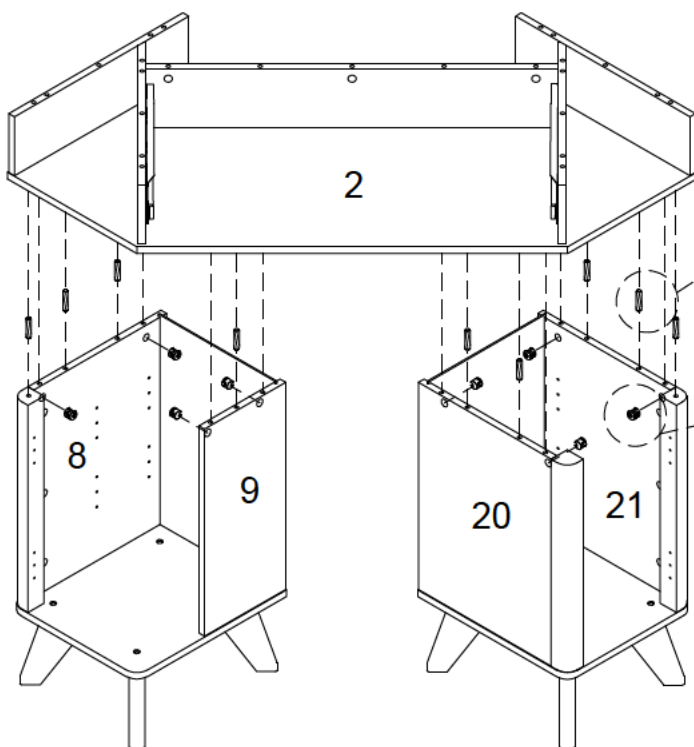
Step 20



Step 21

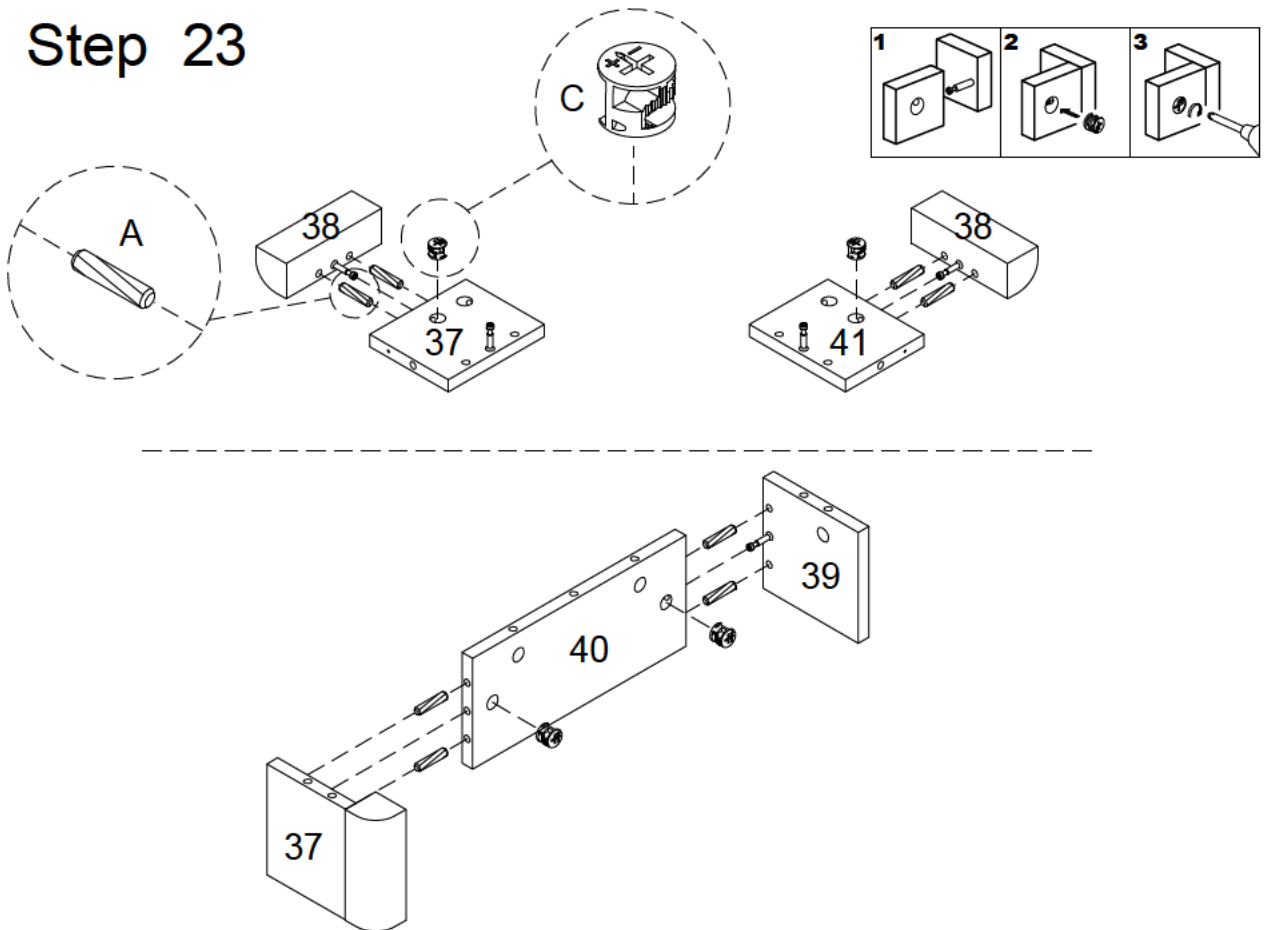


Step 22

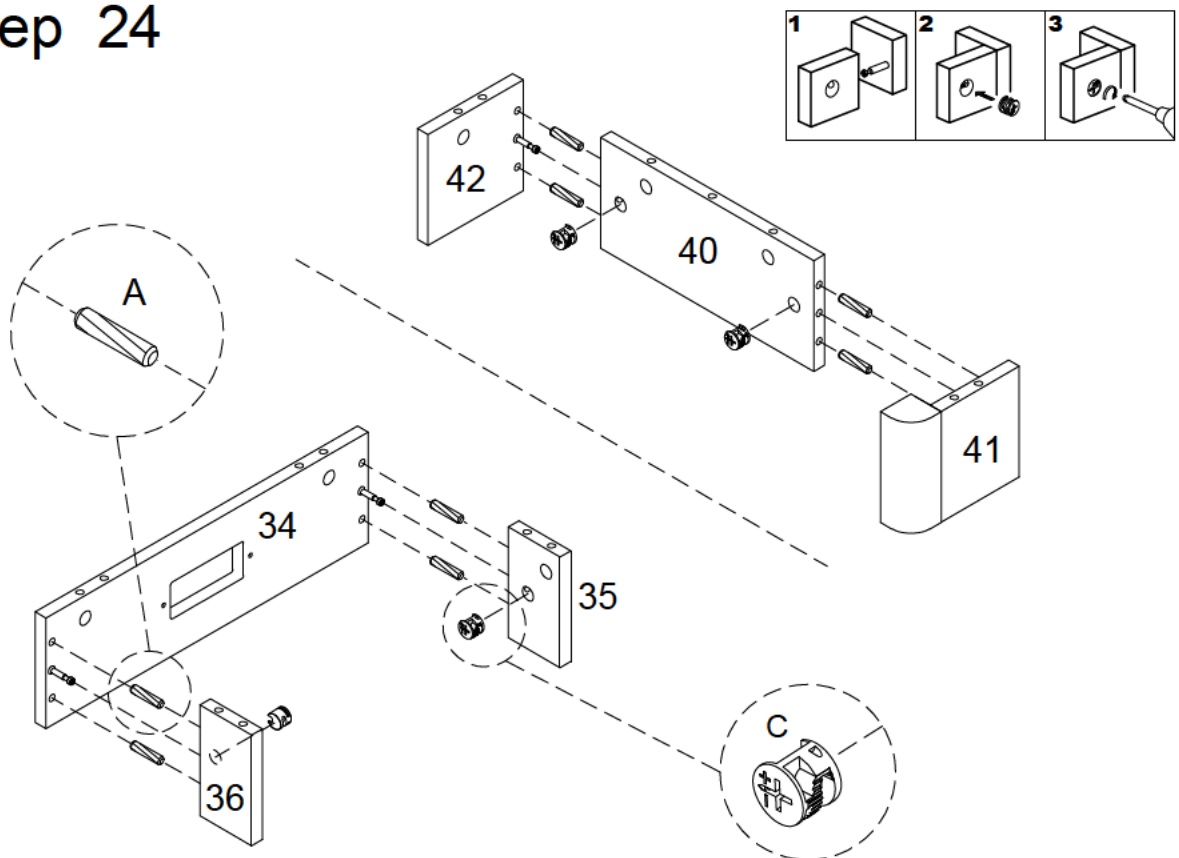


CAUTION: Heavy! You may need assistance with this step

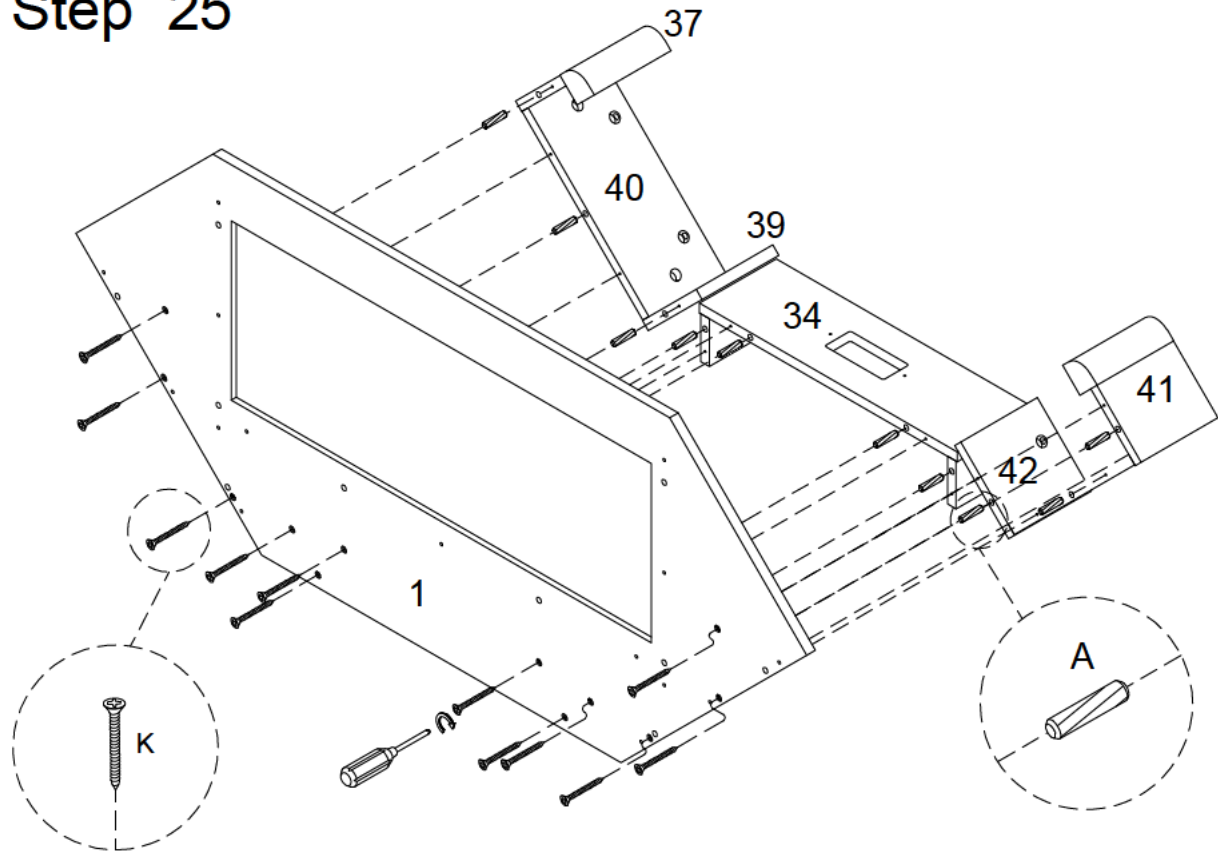
Step 23



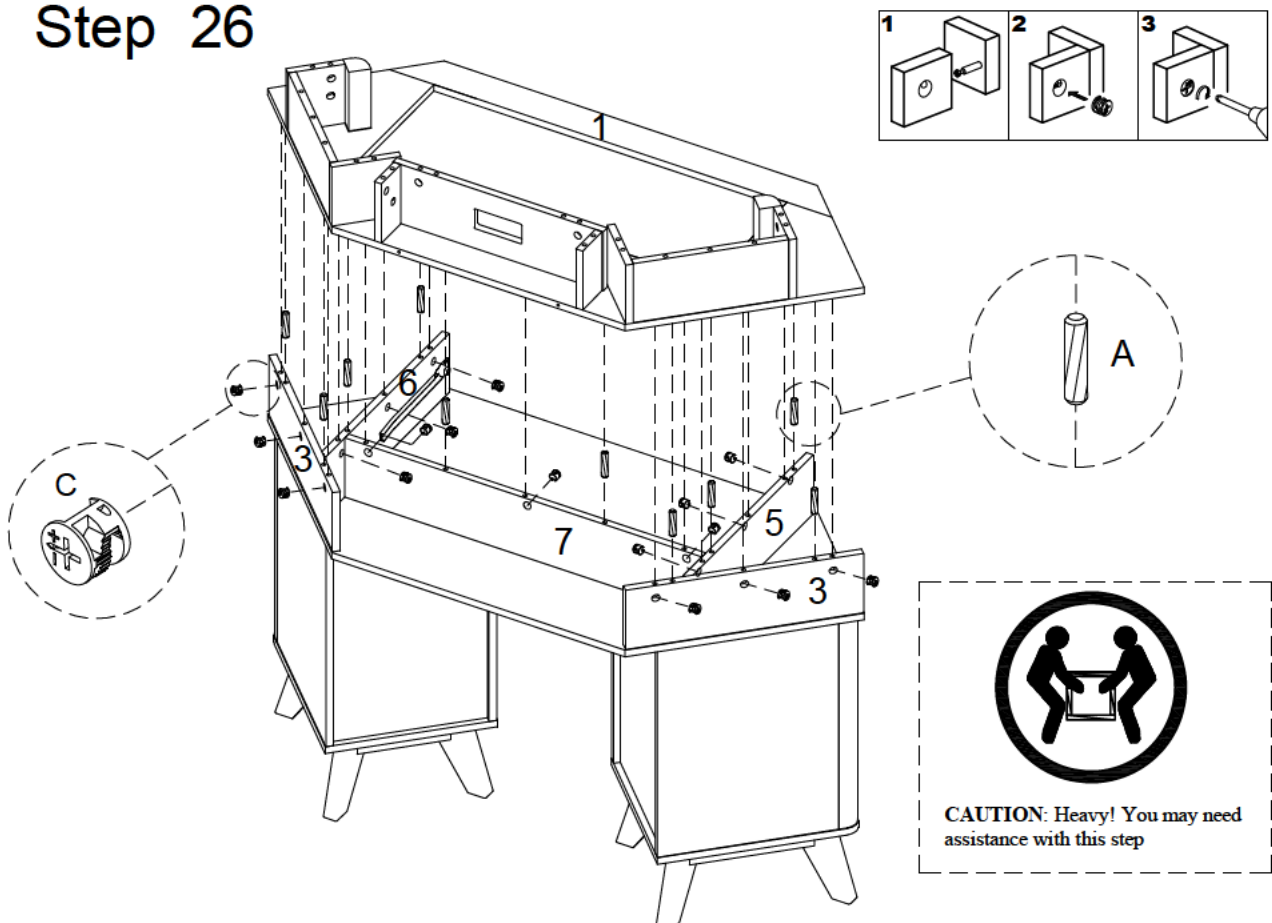
Step 24



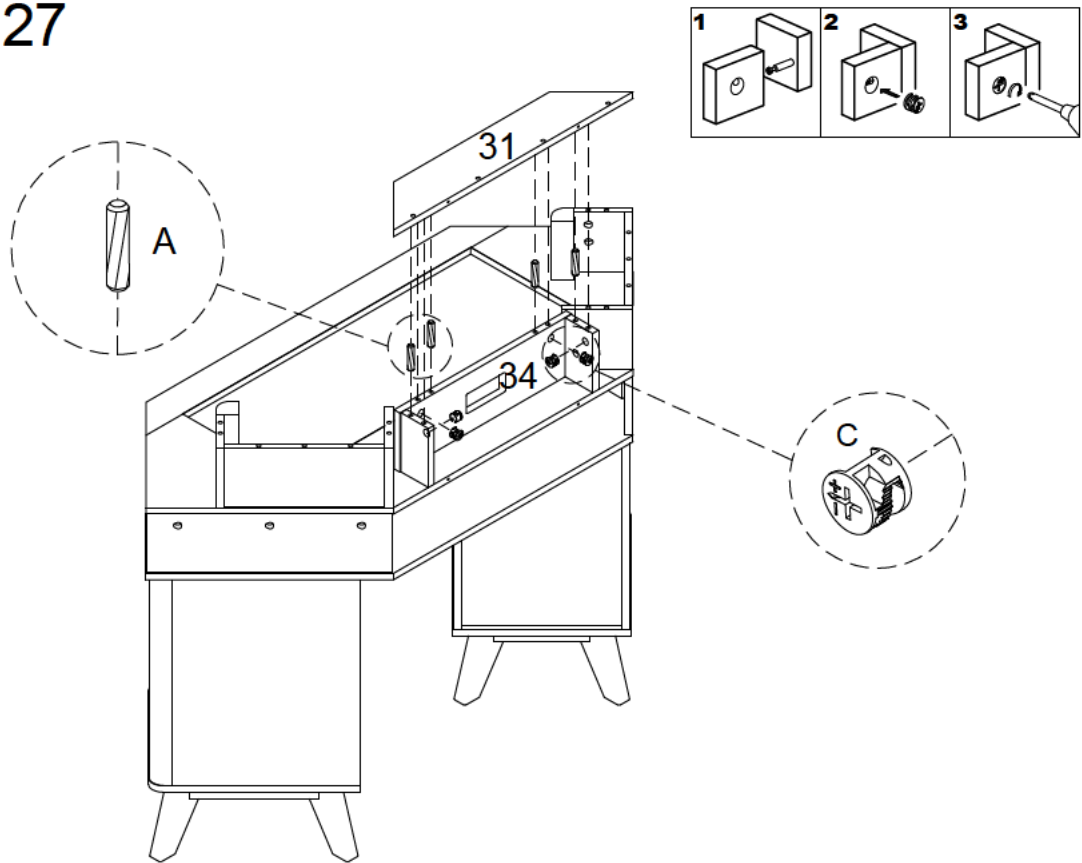
Step 25



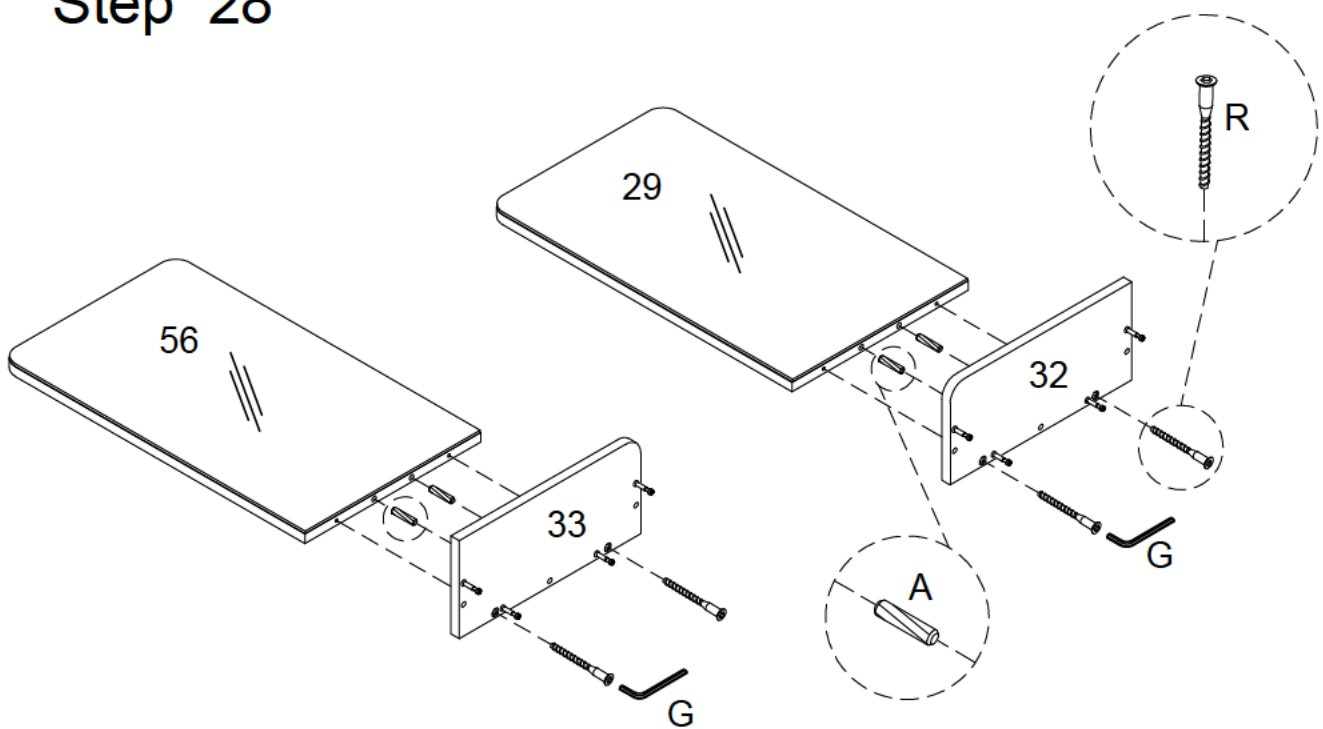
Step 26



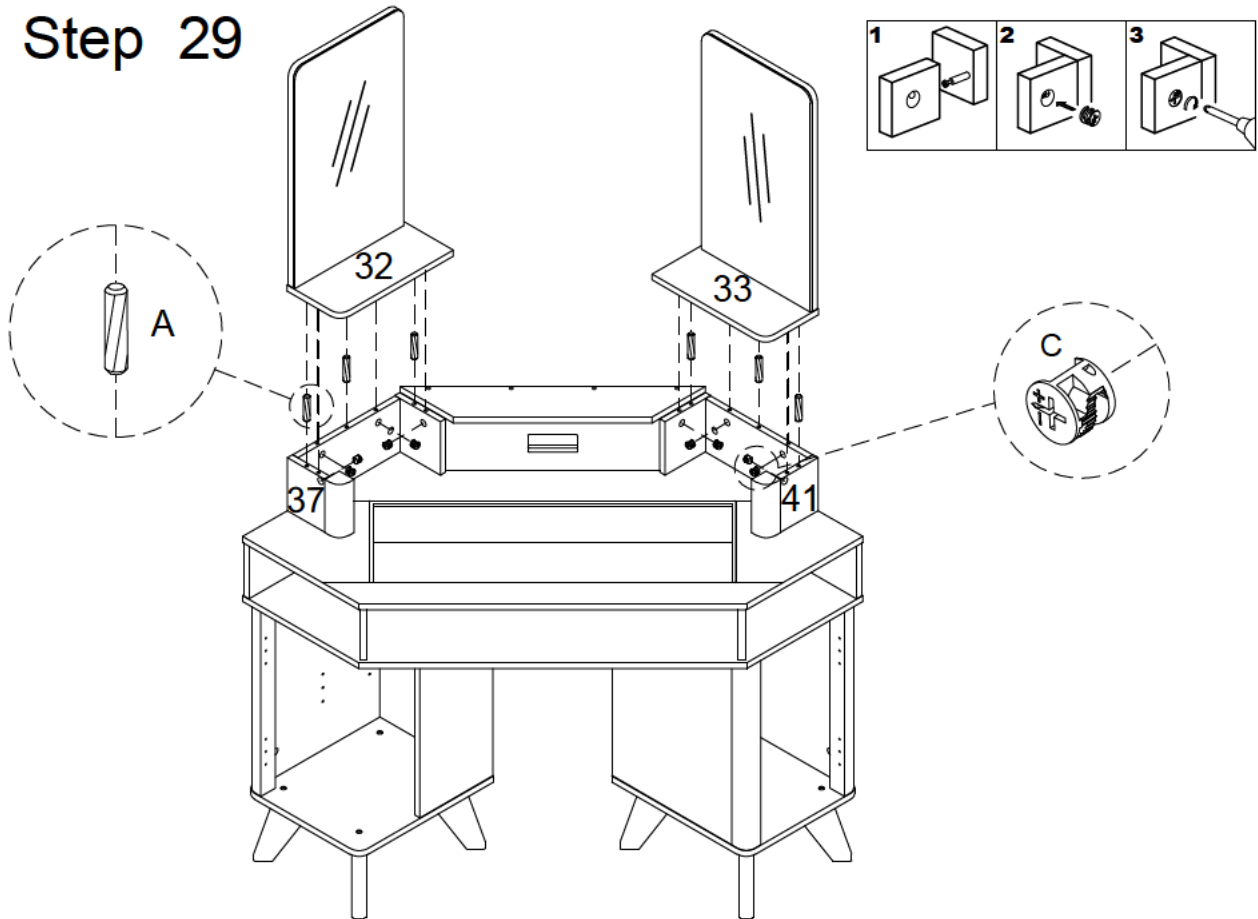
Step 27



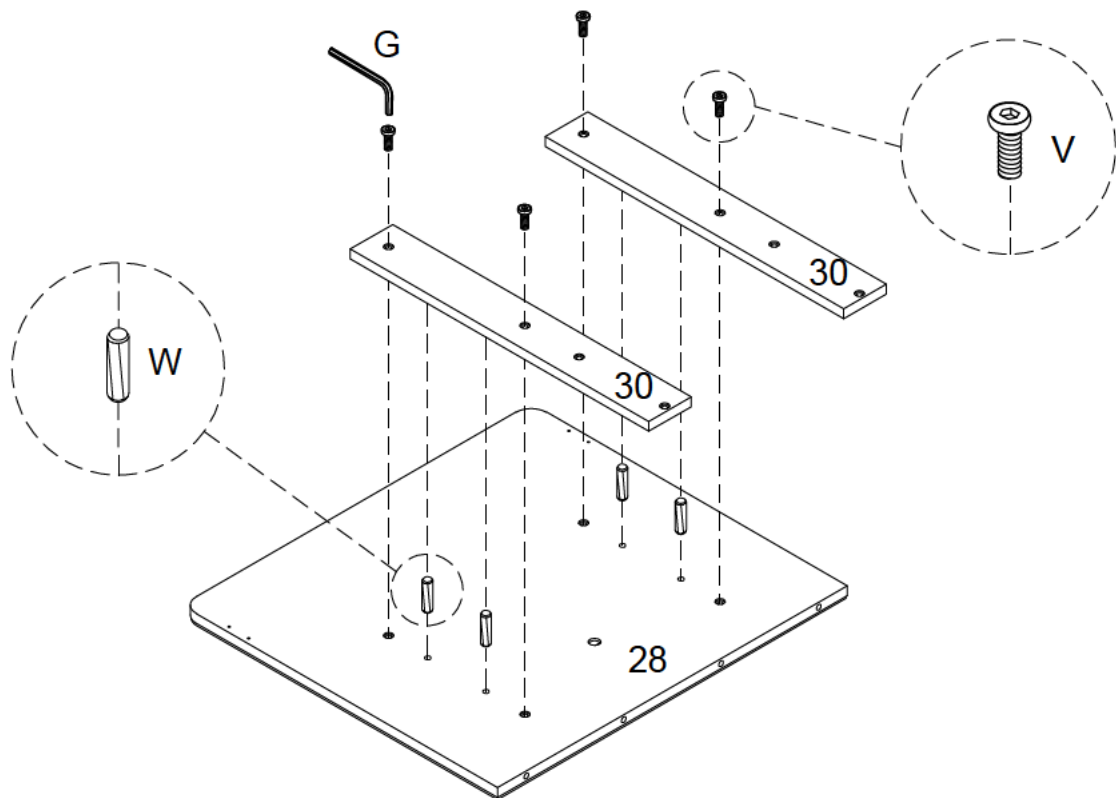
Step 28



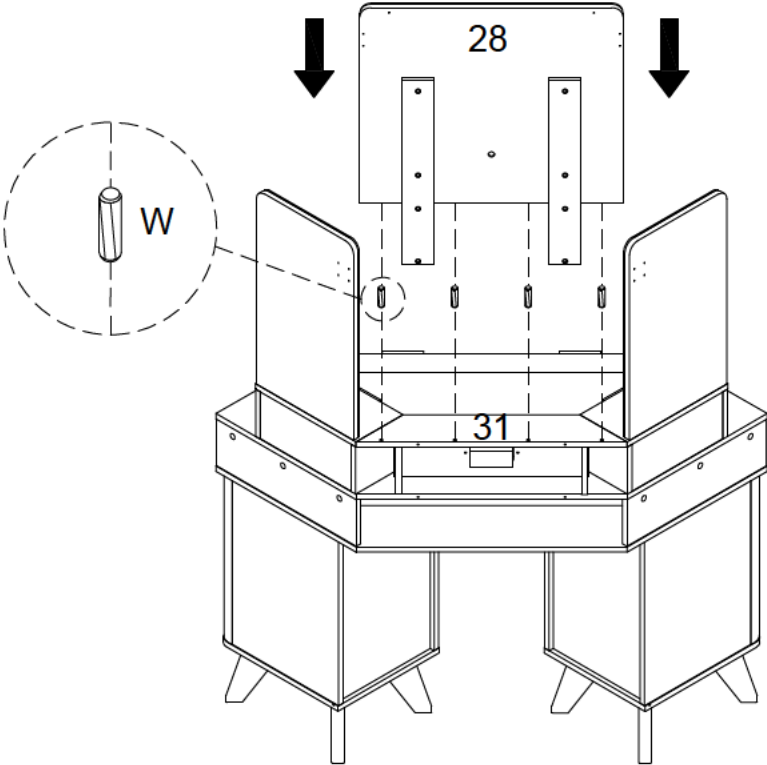
Step 29



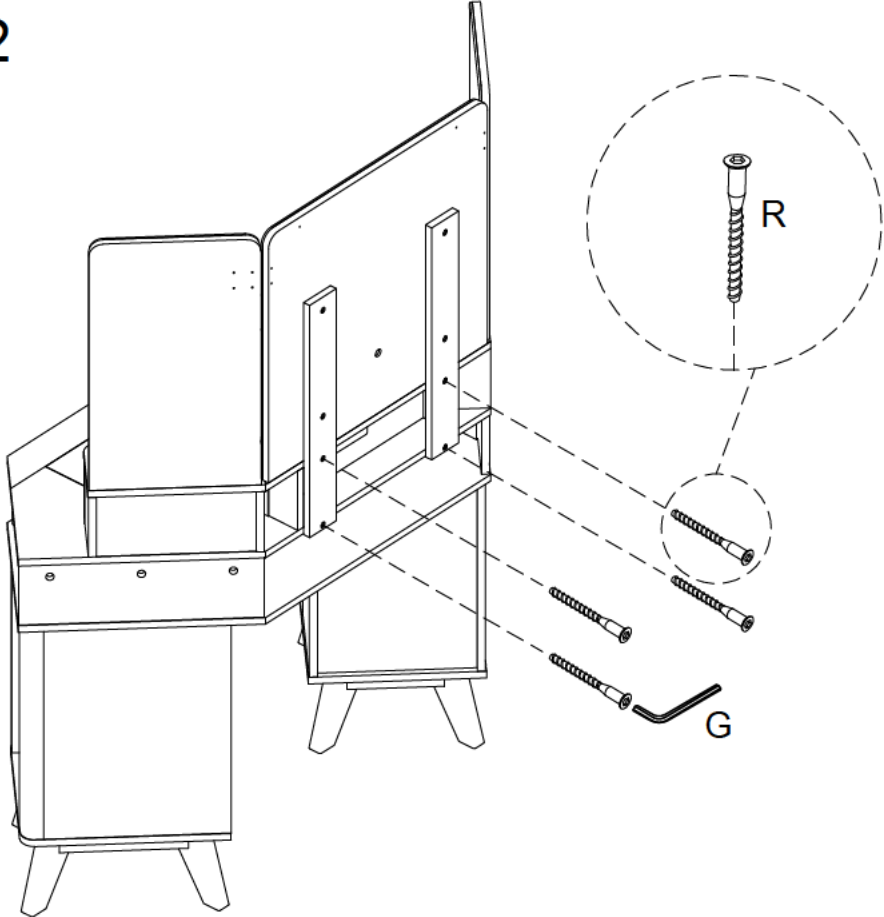
Step 30



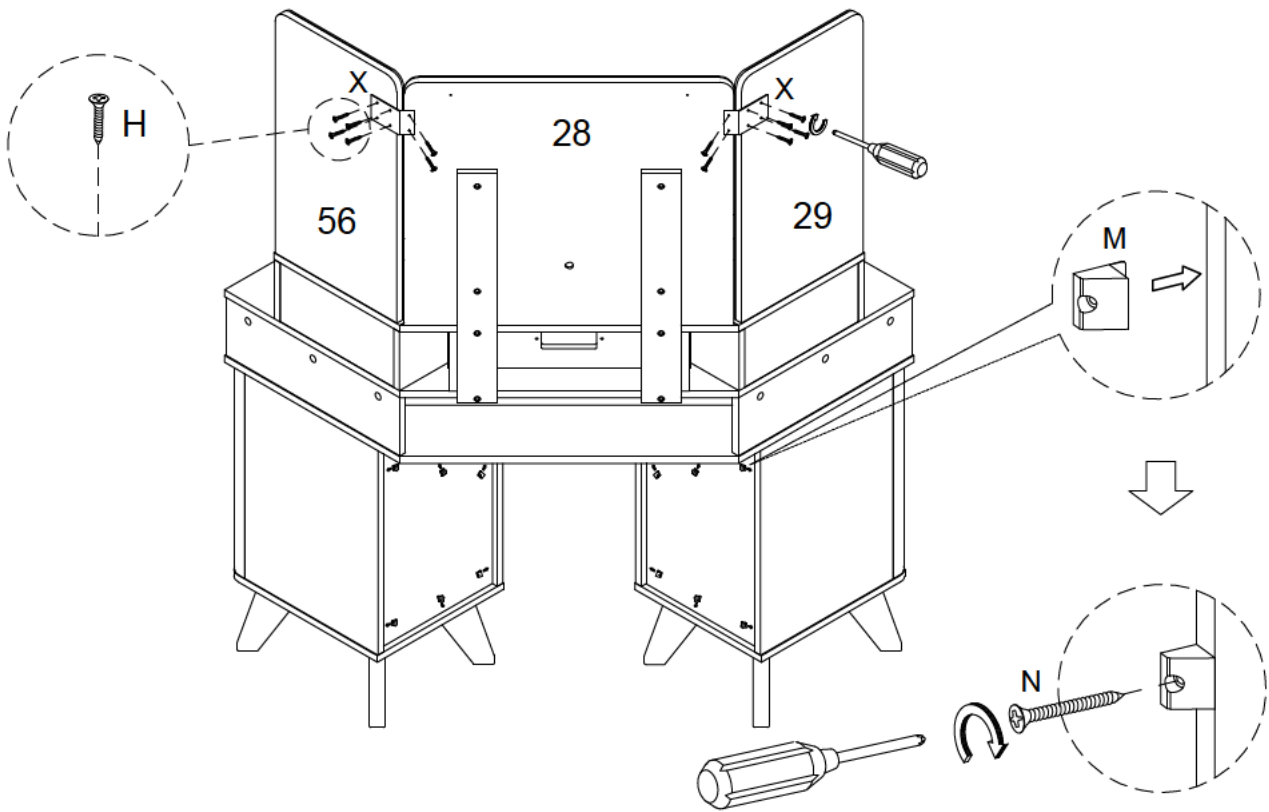
Step 31



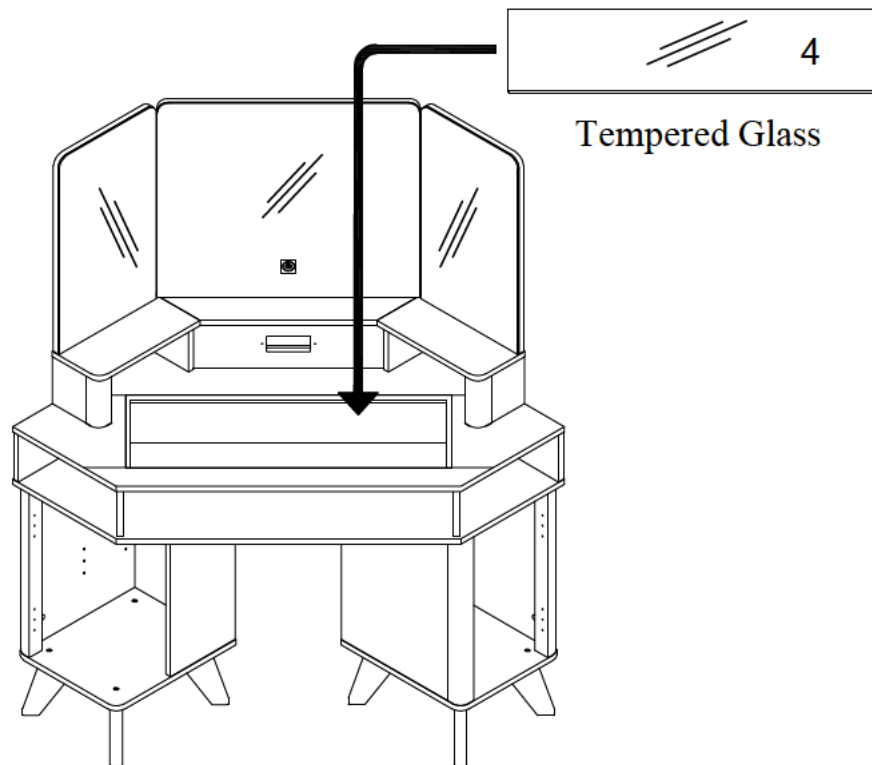
Step 32



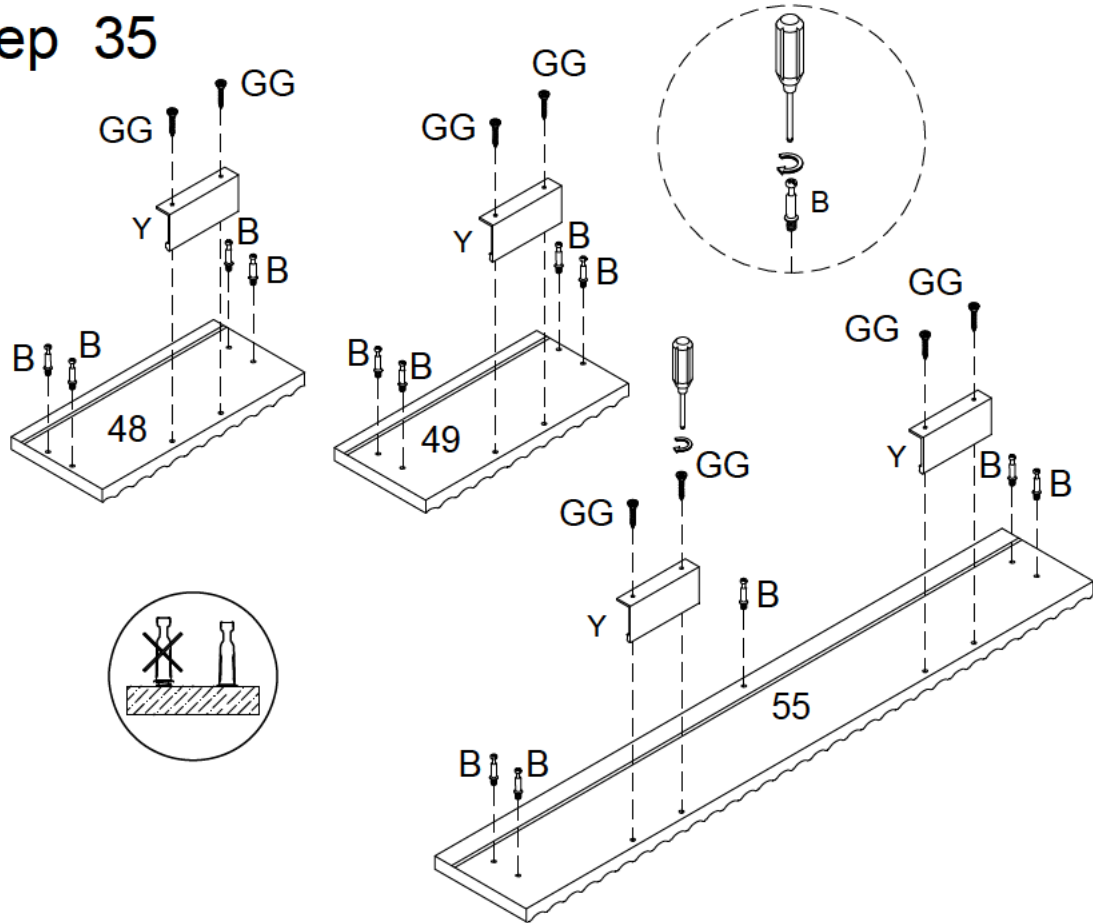
Step 33



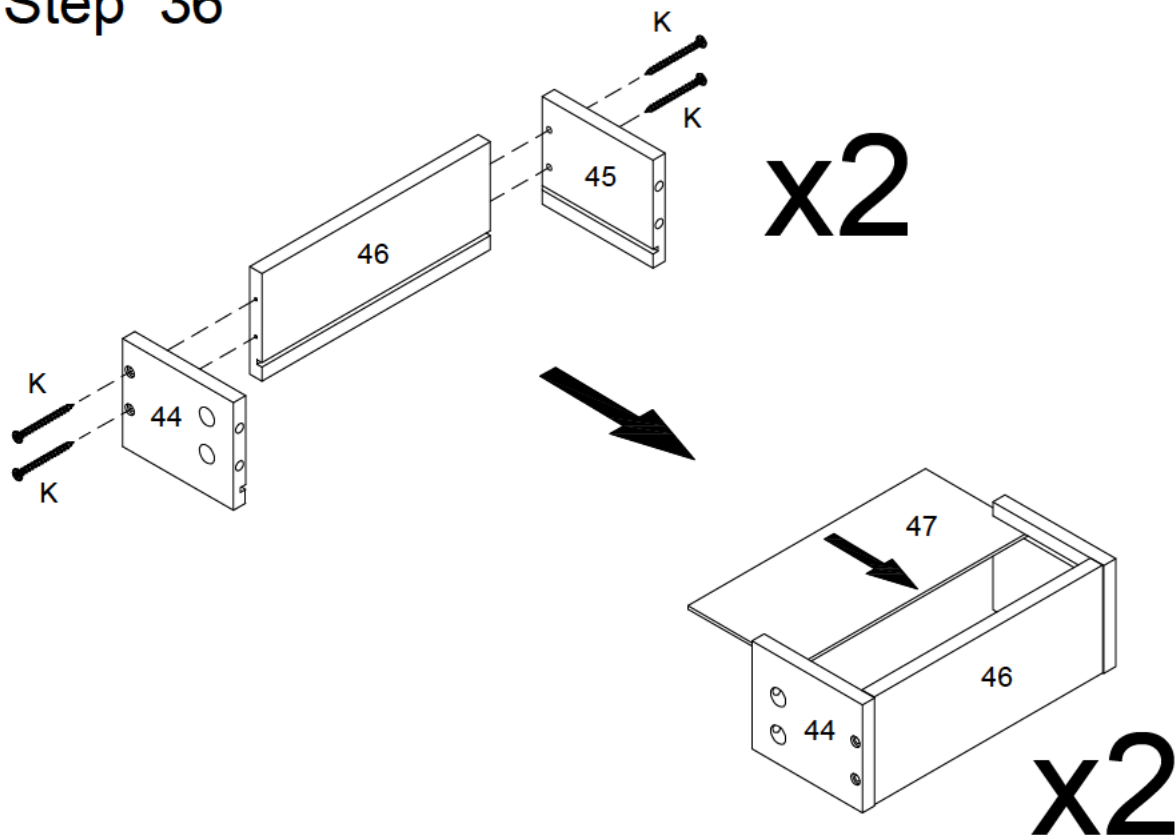
Step 34



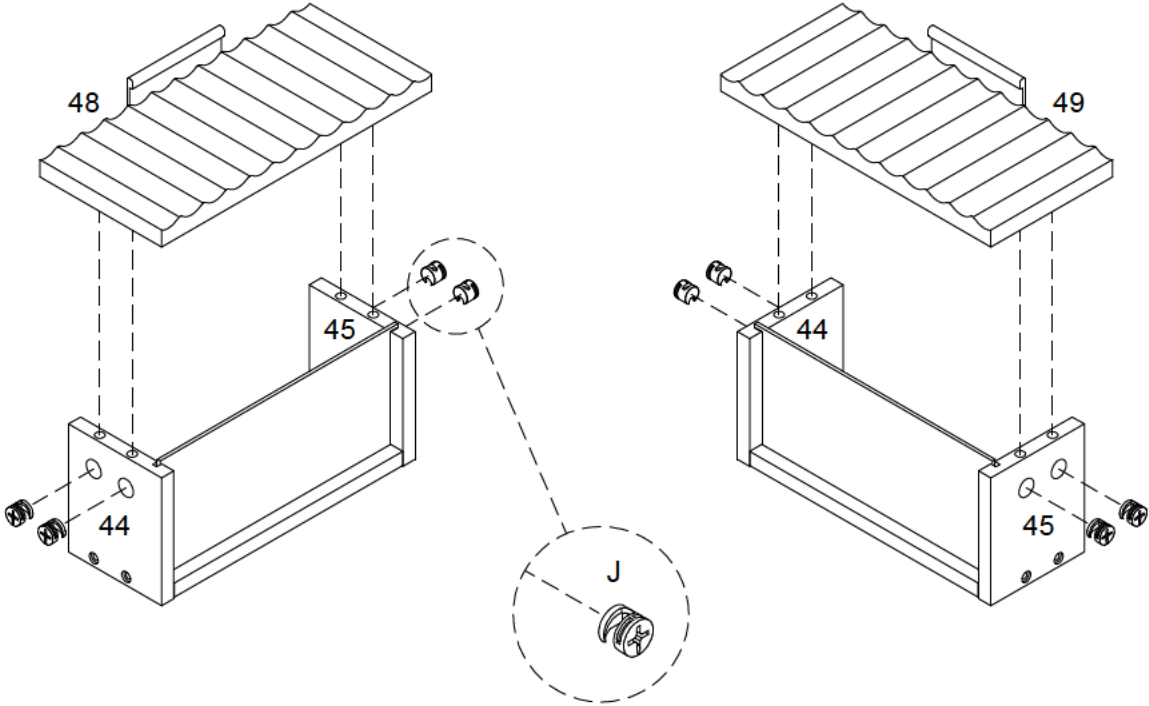
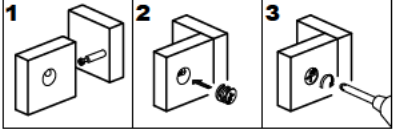
Step 35



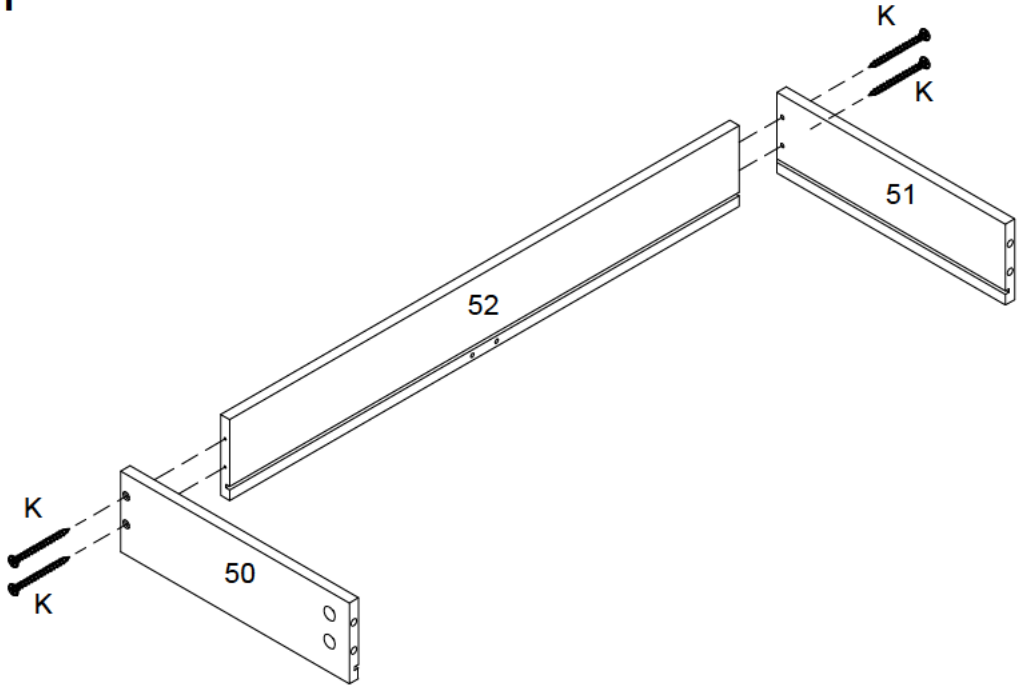
Step 36



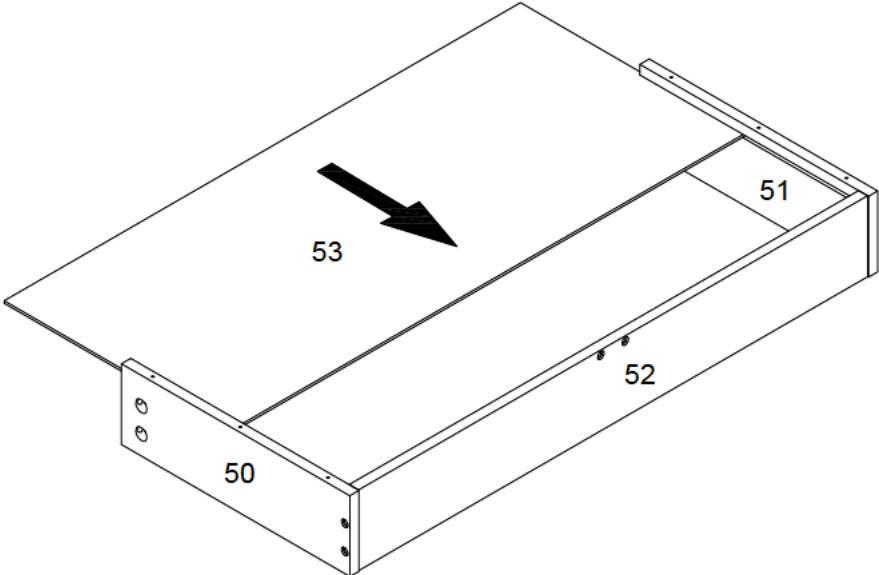
Step 37



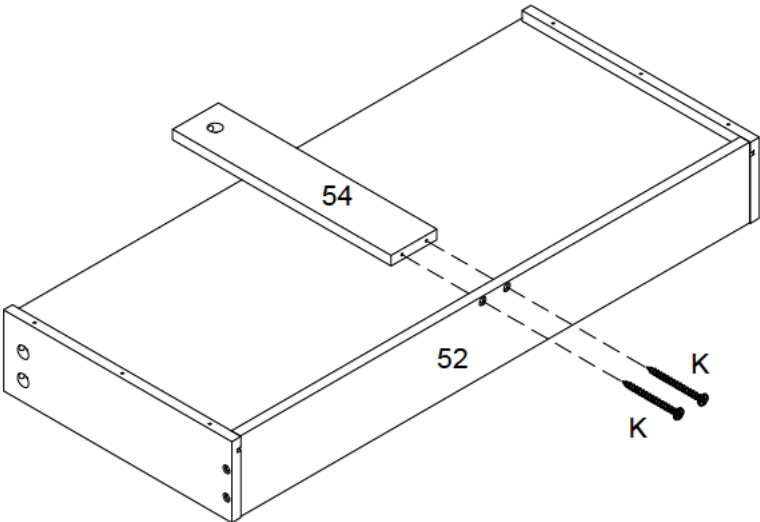
Step 38



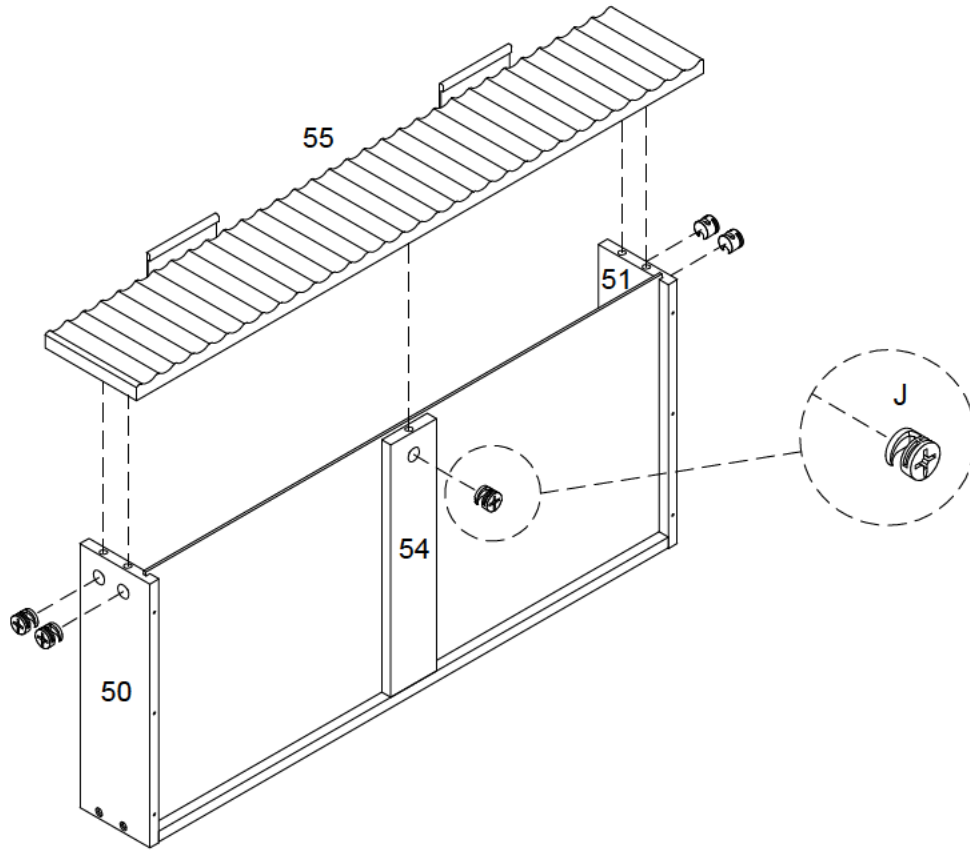
Step 39



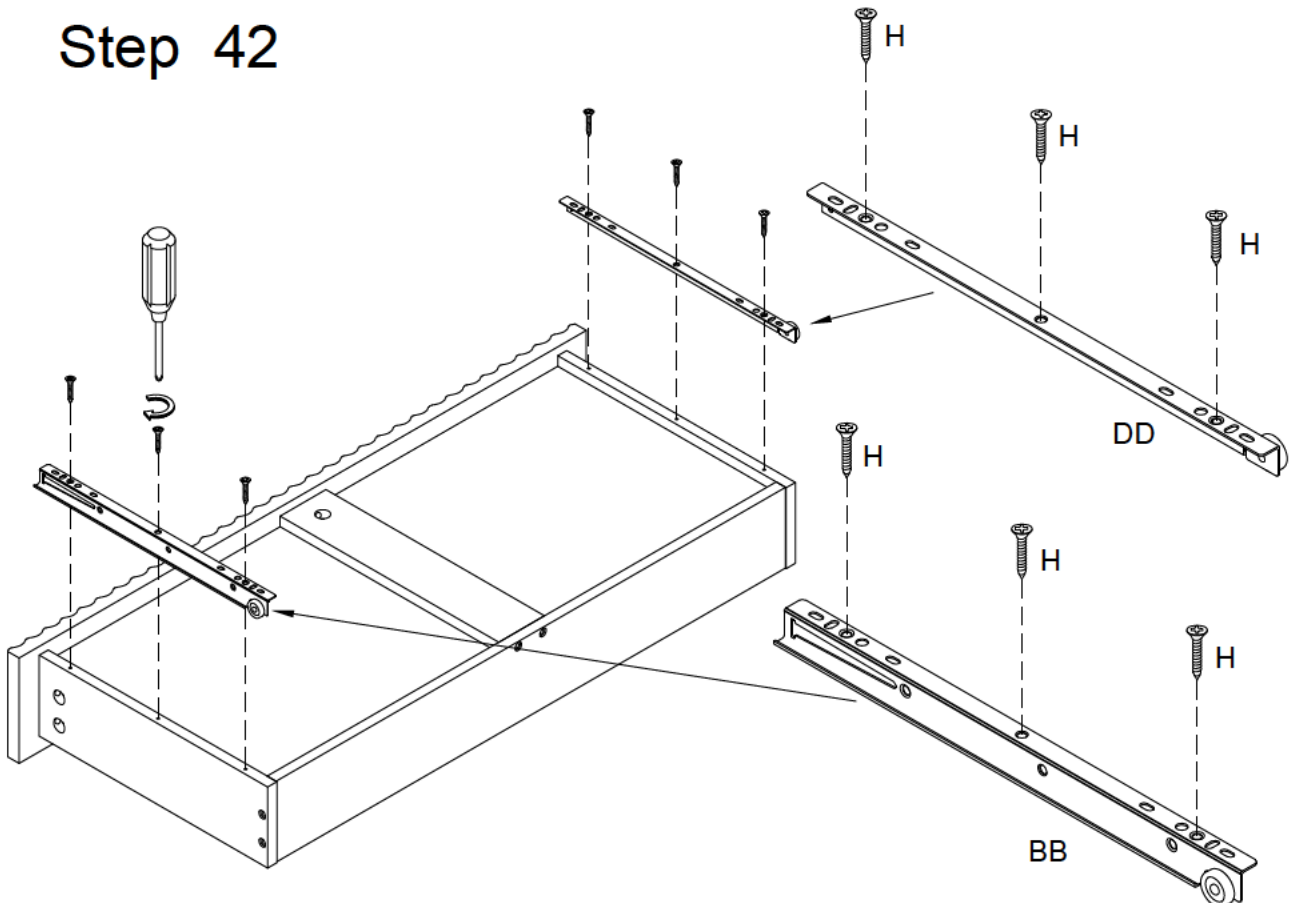
Step 40



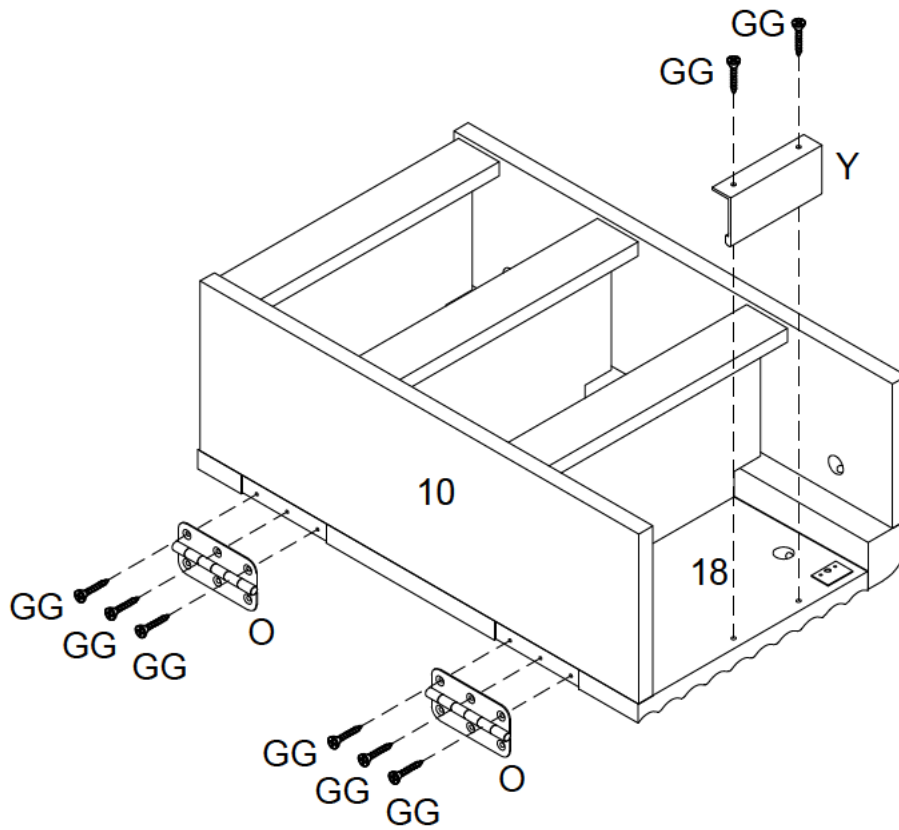
Step 41



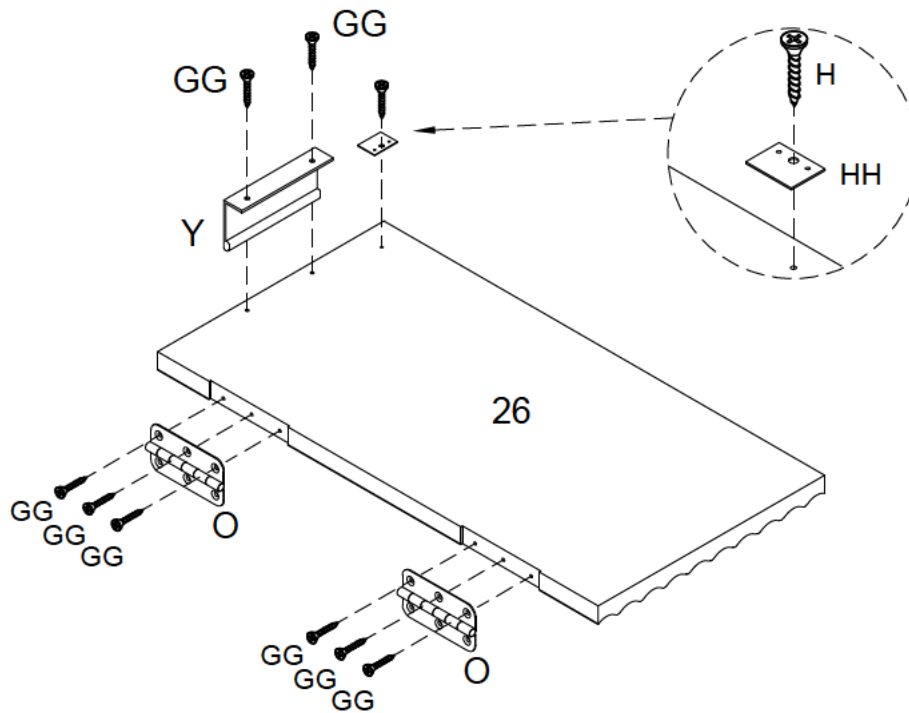
Step 42



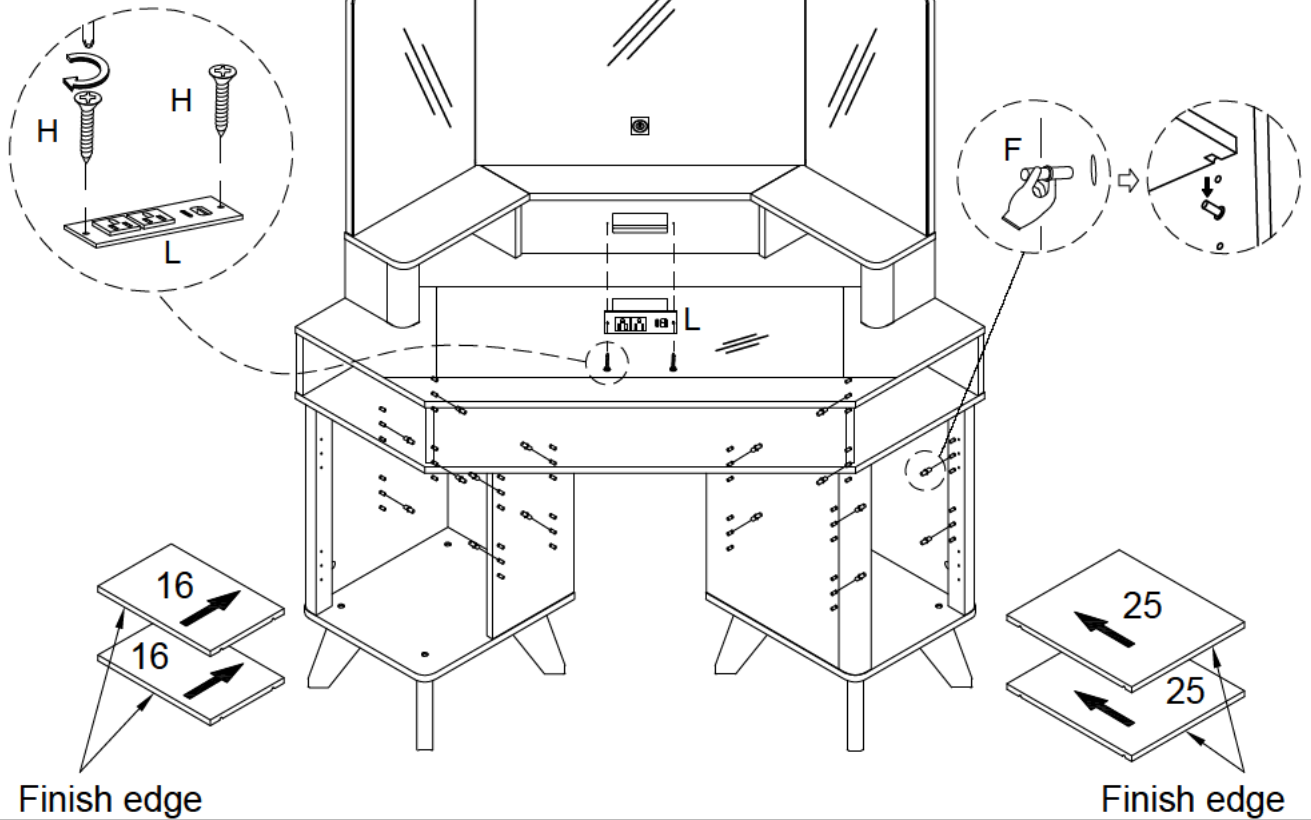
Step 45



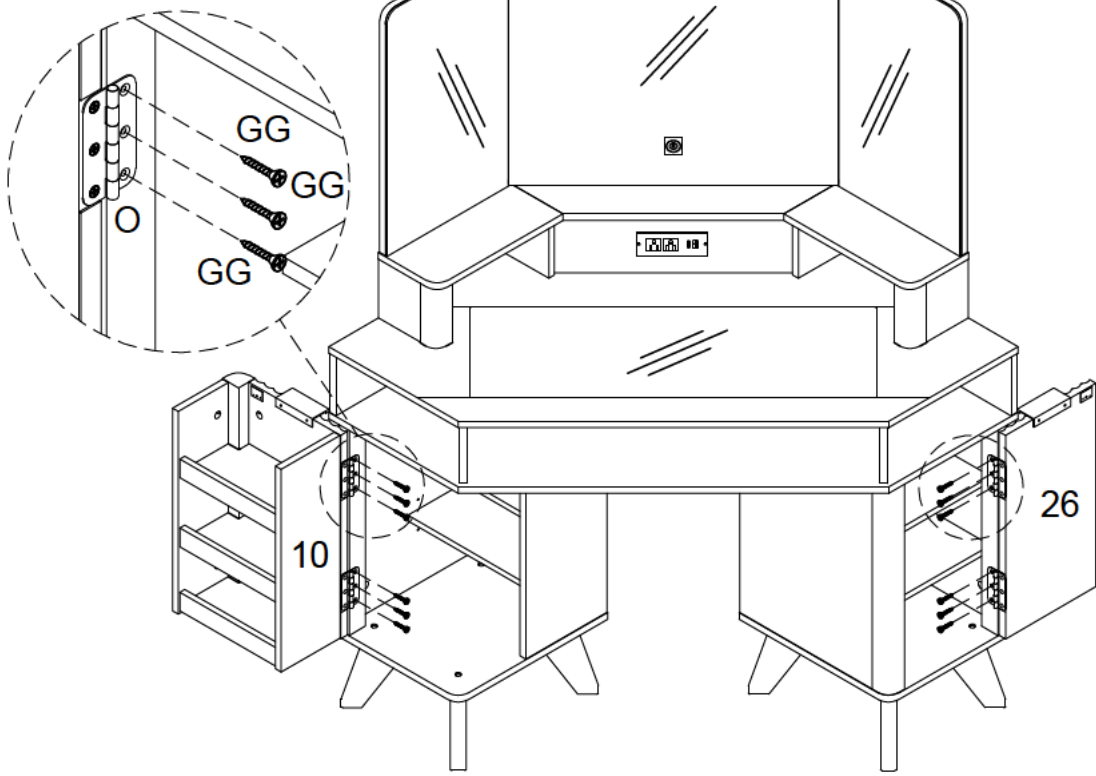
Step 46



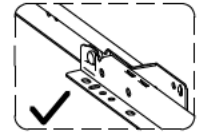
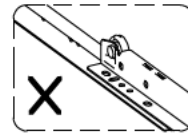
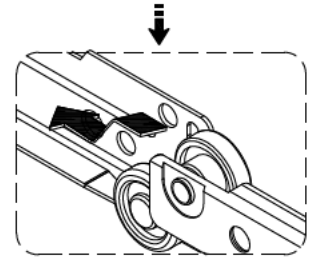
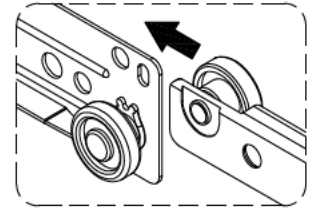
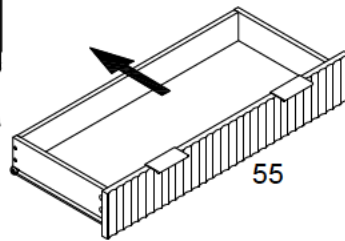
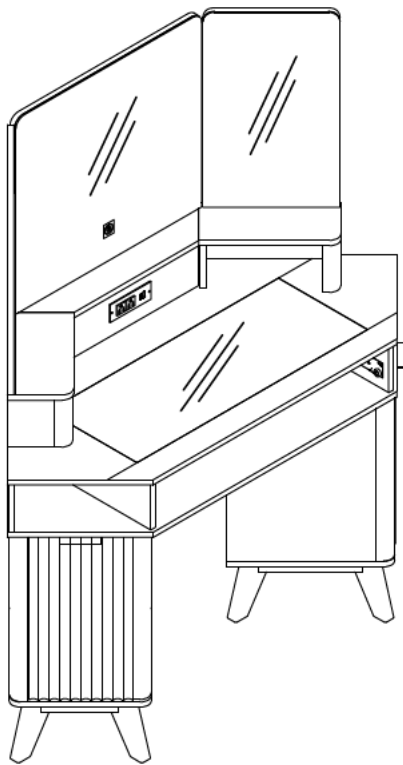
Step 47



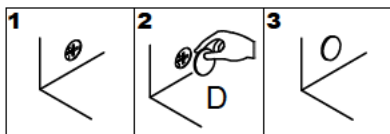
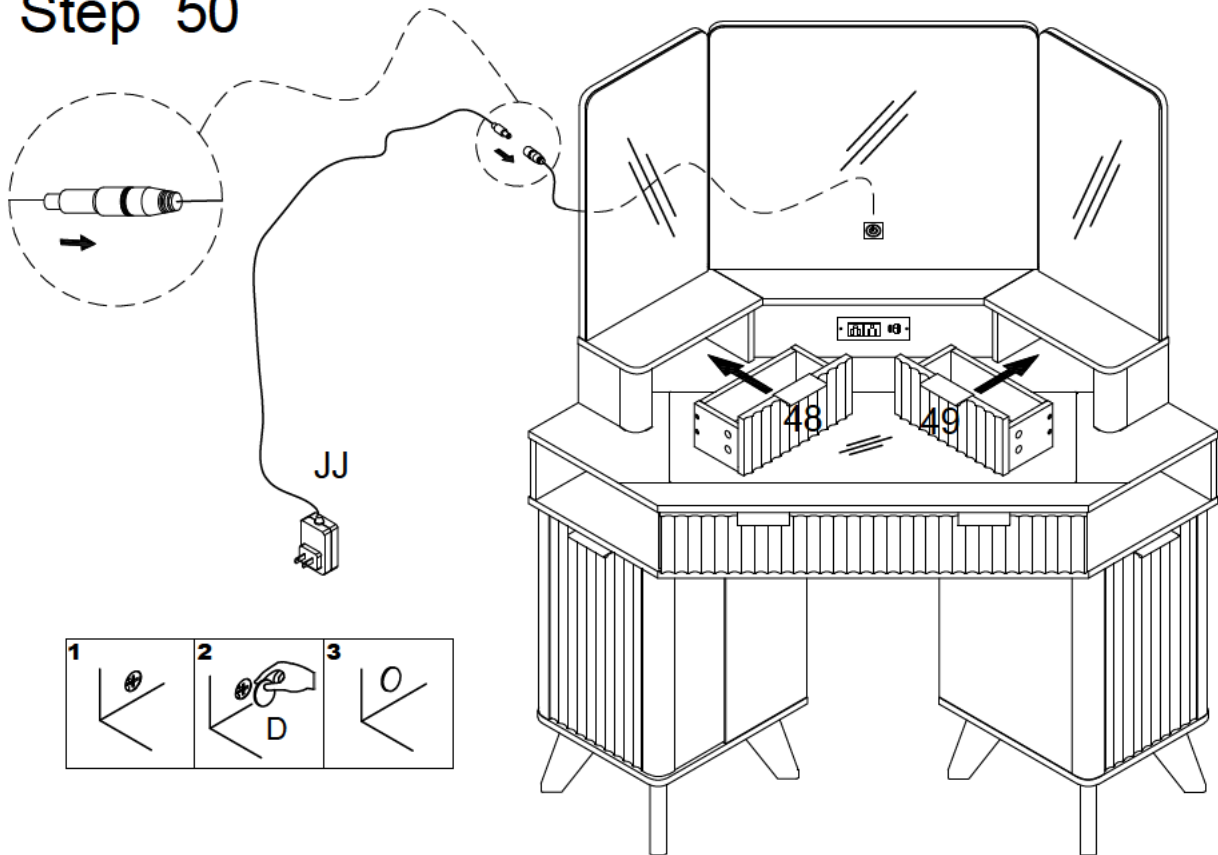
Step 48



Step 49

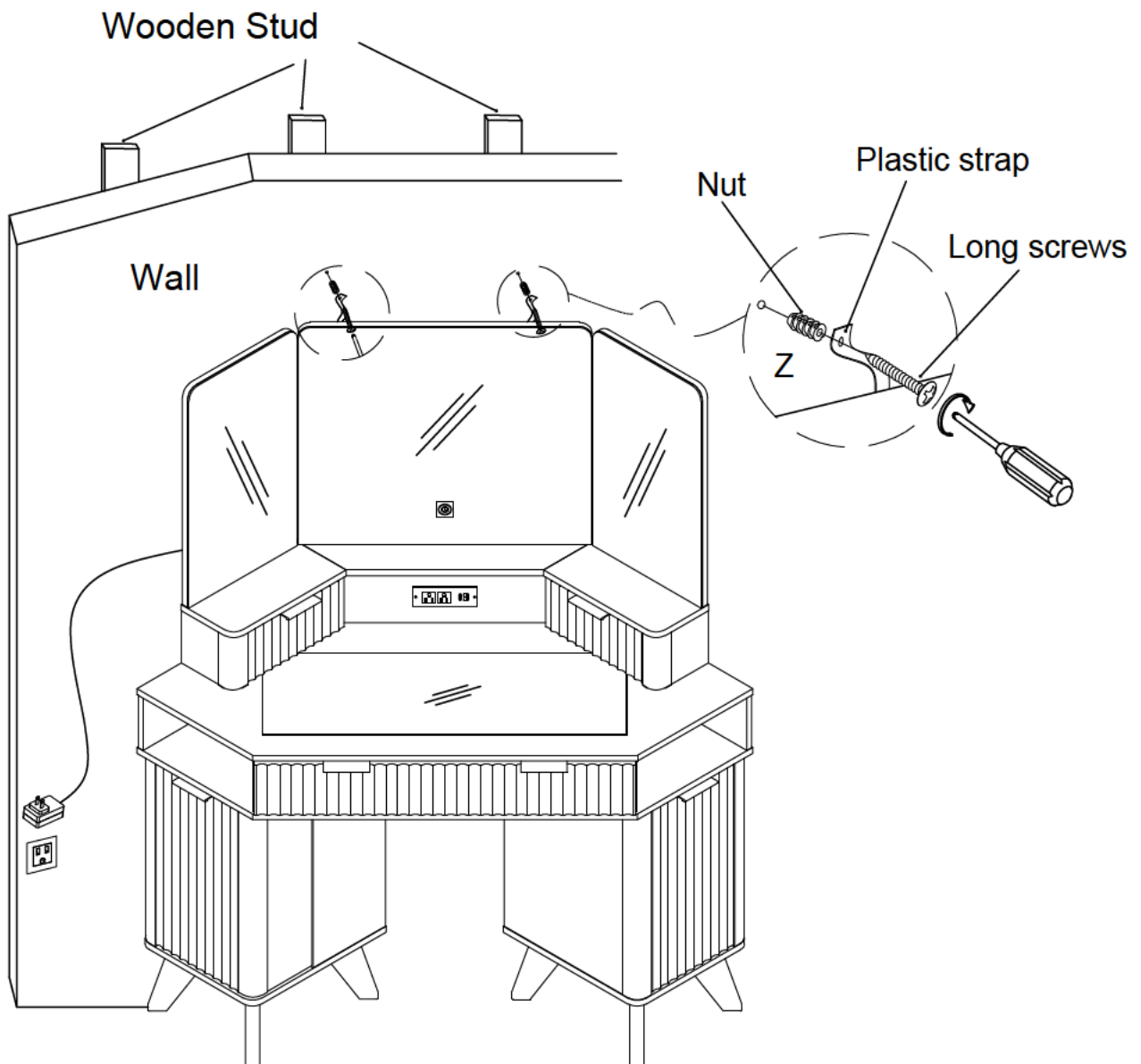
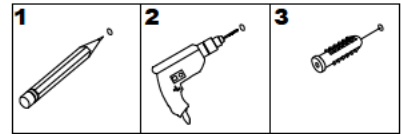


Step 50



Step 51

Serious or fatal injuries can occur from furniture tipping over. To prevent the furniture from tipping over we recommend that it is permanently fixed to the wall. Wall anchor and hardware are included with this product. Please make sure hardware is suitable for your walls before installing, as different wall materials may require different types of anchors.



Final Assembly