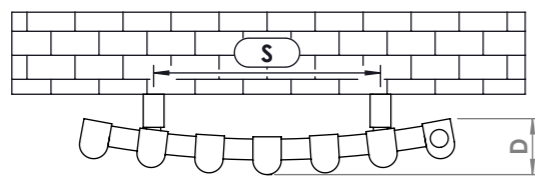
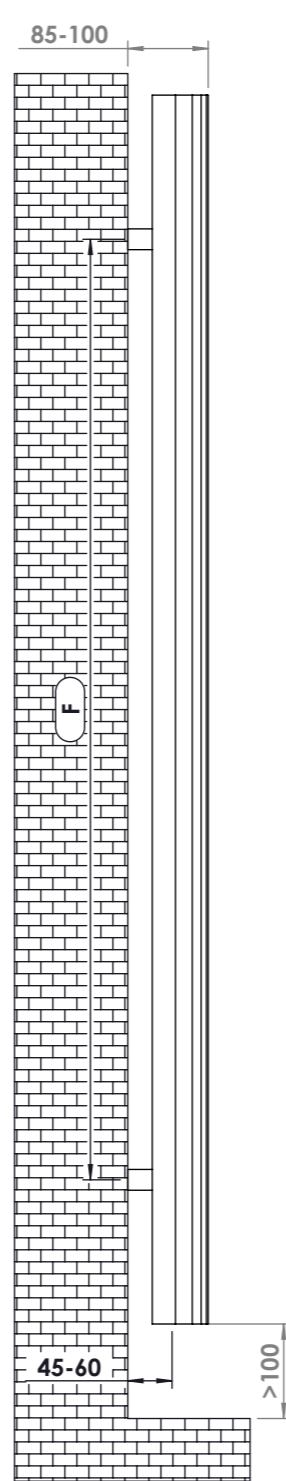


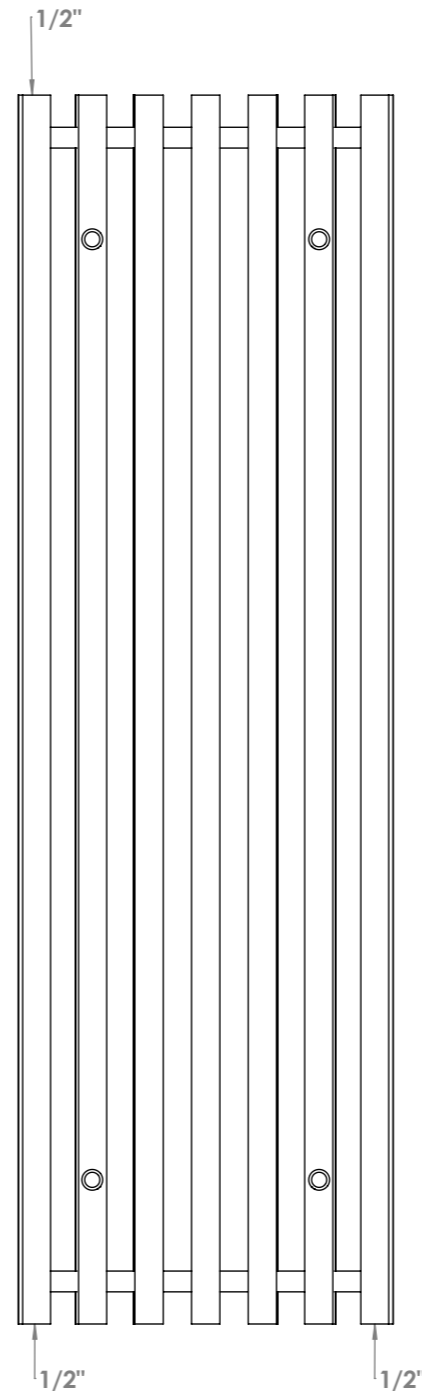
Front View



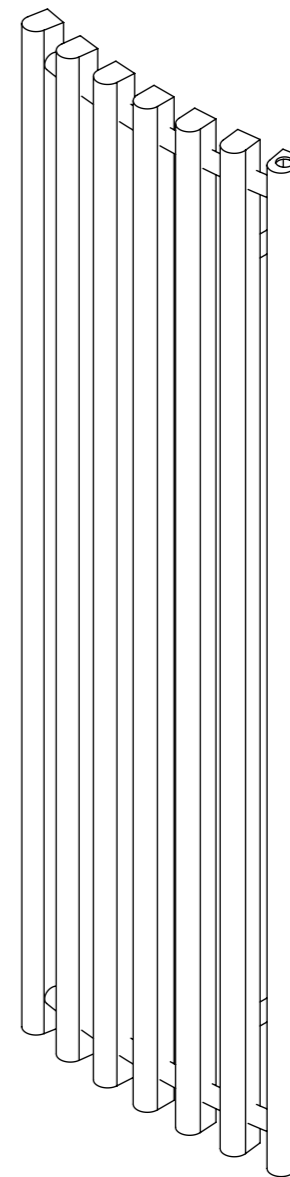
Top View



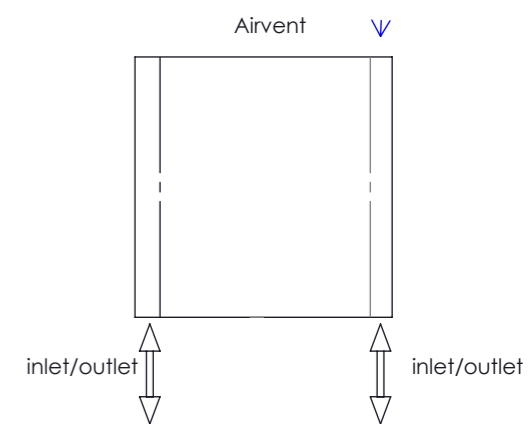
Side View



Back View

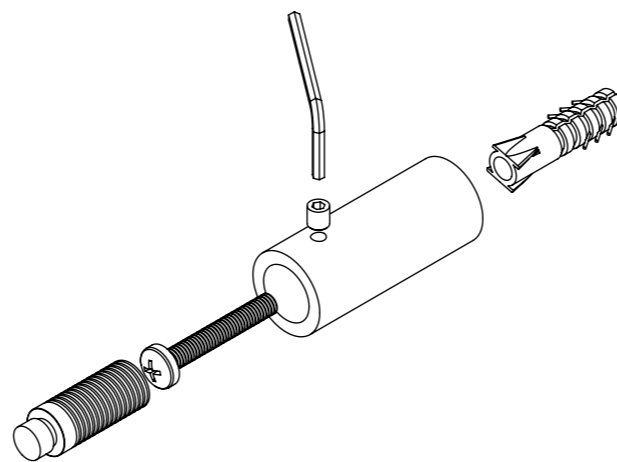
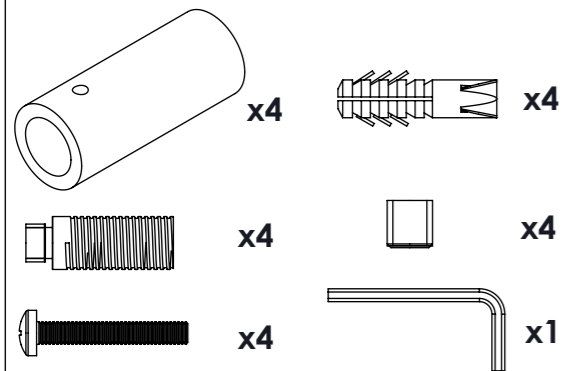


**Plumbing Position:  
Vertical**



Vertical mount  
 All Dimensions are in mm  
 Max.Working Pressure: 10 Bar  
 Max.Working Temperature: 95° C  
 Inlet / Outlet : 1/2" BSP  
 Fuel : E/H/D

**Installation Accessories:**



Height	Length	Depth	Pipe Centres	Bracket Centres	
				F	S
H	L	D	C	F	S
mm	mm	mm	mm	mm	mm
1300	390	60	360	995	240
1760	390	60	360	1455	240