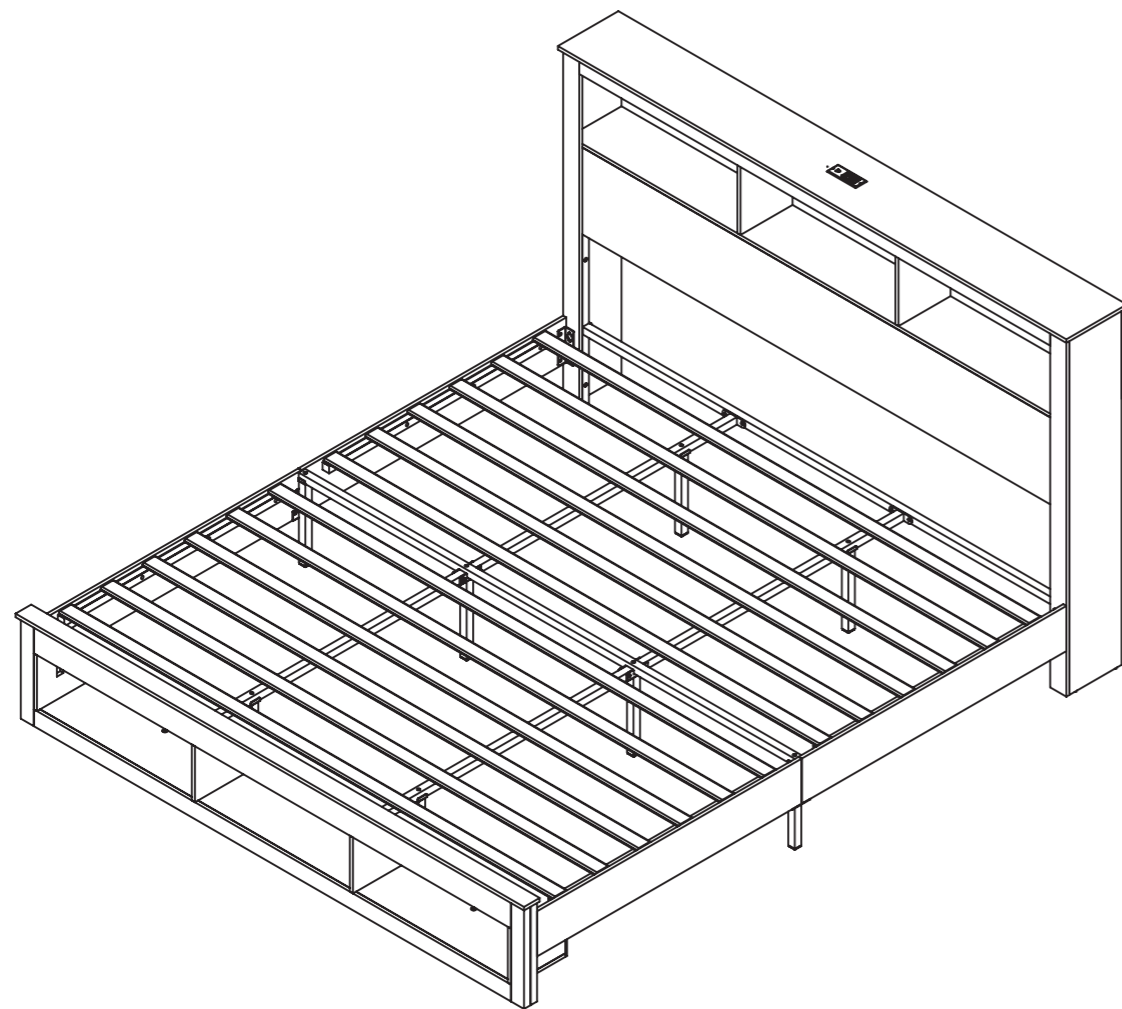


# Storage Platform Bed Assembly Instructions



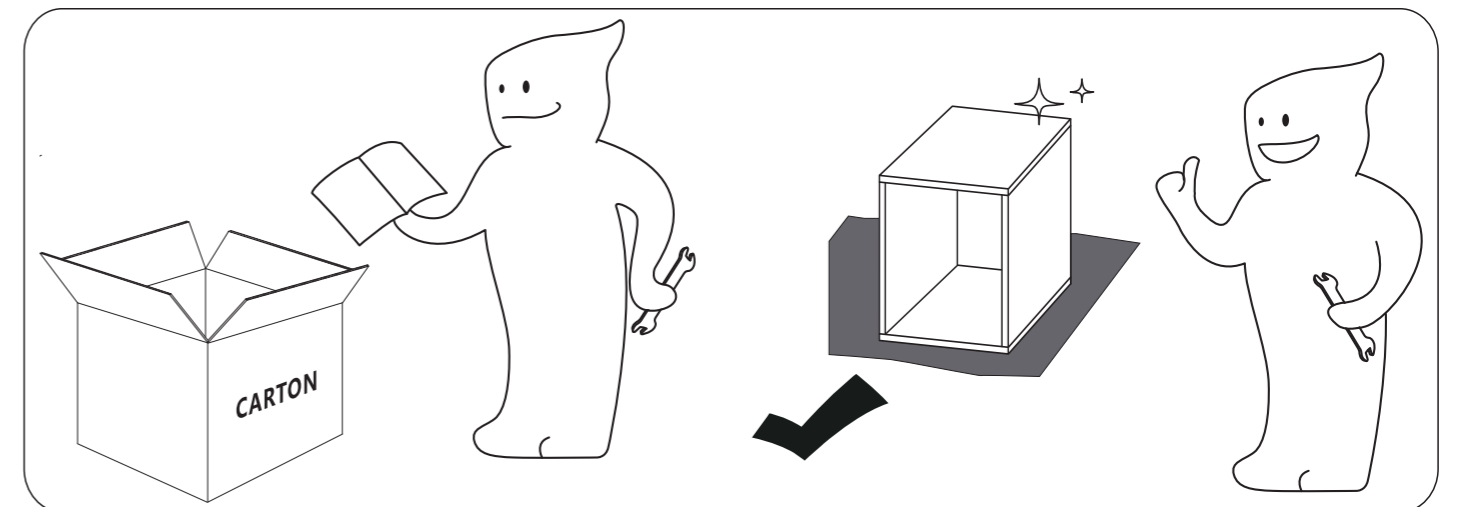
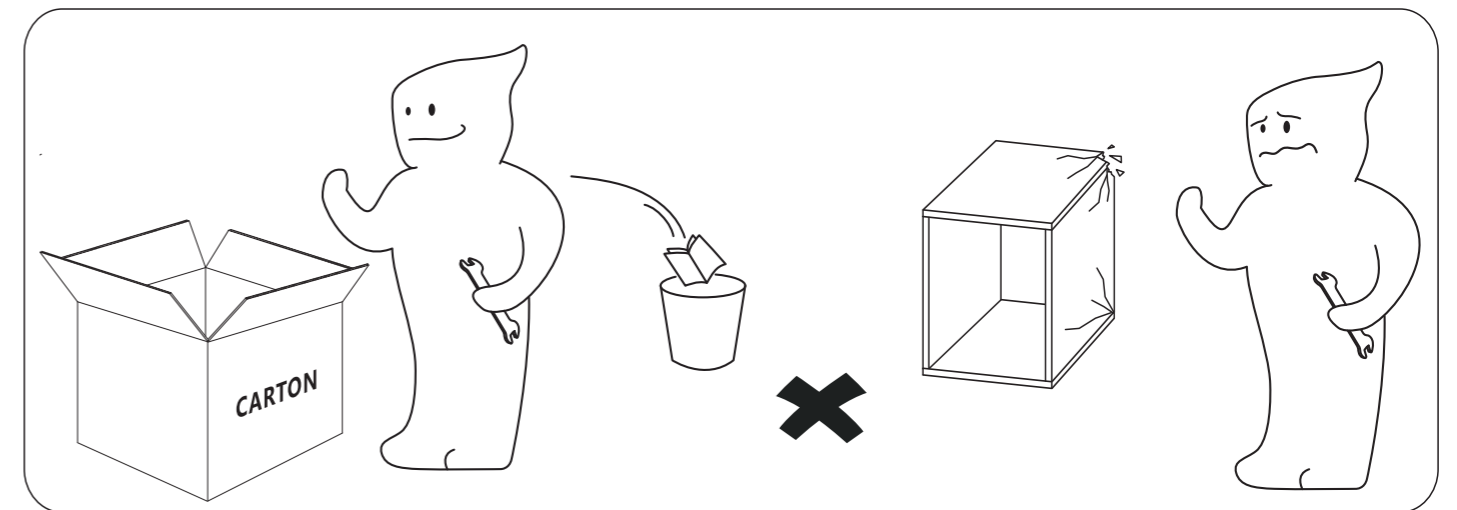
**Dear Customers,**

Thank you for purchasing our product. Please read this instruction manual carefully after receiving this product. It will help you assemble this product quickly, safely and correctly. You can keep this manual for future reference.

MADE IN CHINA



Please follow the instruction manuals and use a pad to protect the product during your assembly.



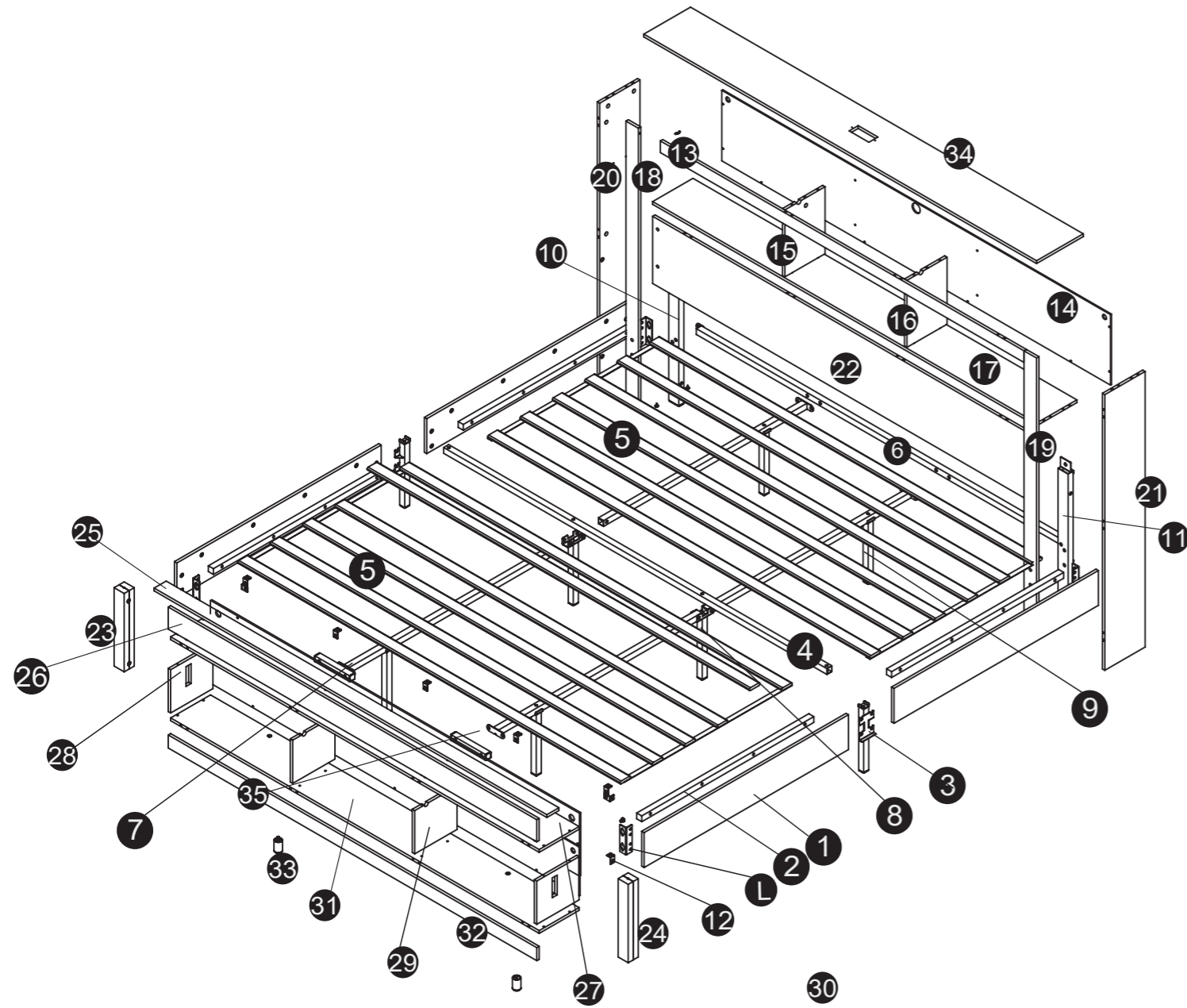
**Note:**

- 1. Should be assembled on flat ground to keep balance.
- 2. Before completing the installation, do not tighten the screws.



For easier and better assembly, 2 or more adults are required.

# ASSEMBLY INSTRUCTIONS



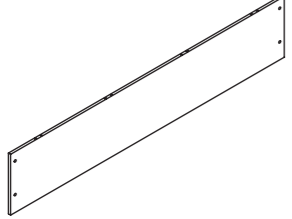


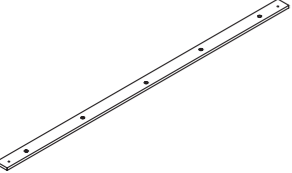
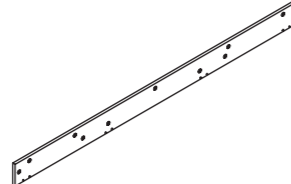
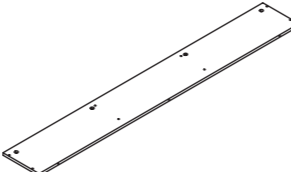
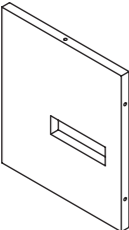
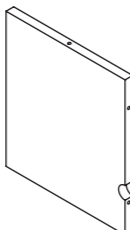
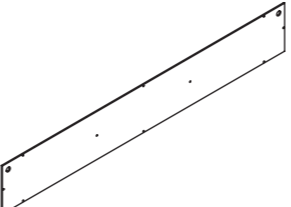
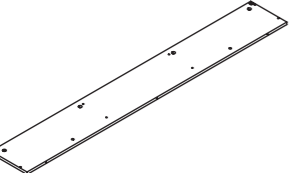
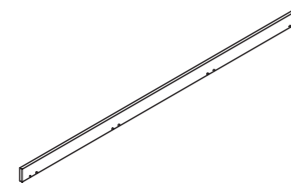
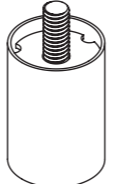
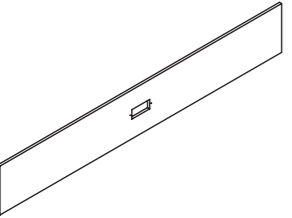
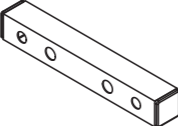
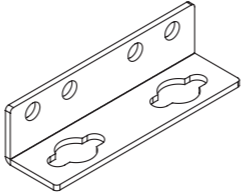
# ASSEMBLY INSTRUCTIONS

## PARTS LIST

1  4PCS	2  4PCS	3  2PCS
4  1PC	5  2PCS	6  1PC
7  4PCS	8  2PCS	9  4PCS
10  1PC	11  1PC	12  9PCS
13  1PC	14  1PC	15  1PC
16  1PC	17  1PC	18  1PC
19  1PC	20  1PC	21  1PC



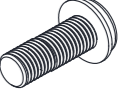




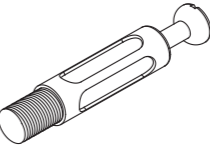
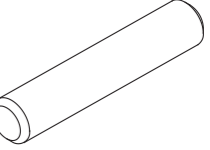
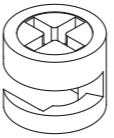
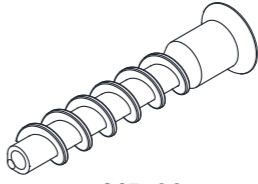
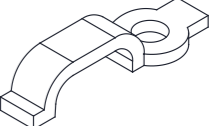

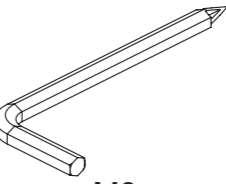
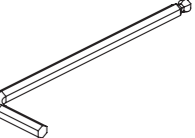
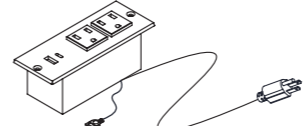


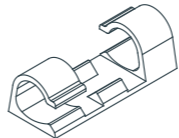
# ASSEMBLY INSTRUCTIONS

## PARTS LIST

<b>22</b>  1PC	<b>23</b>  1PC	<b>24</b>  1PC
<b>25</b>  1PC	<b>26</b>  1PC	<b>27</b>  1PC
<b>28</b>  2PCS	<b>29</b>  2PCS	<b>30</b>  1PC
<b>31</b>  1PC	<b>32</b>  1PC	<b>33</b>  2PCS
<b>34</b>  1PC	<b>35</b>  2PCS	<b>L</b>  4PCS

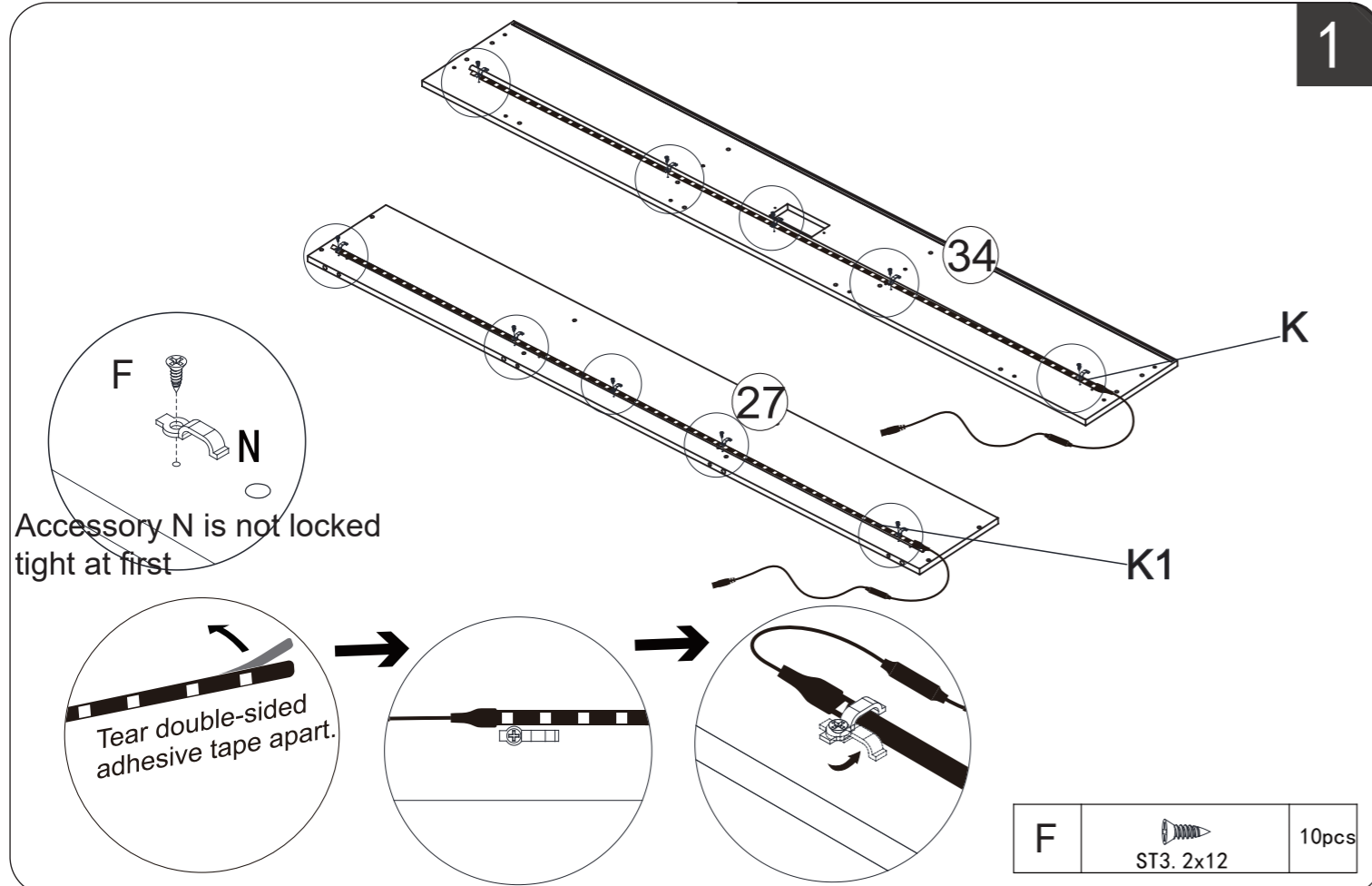
# ASSEMBLY INSTRUCTIONS

## PARTS LIST

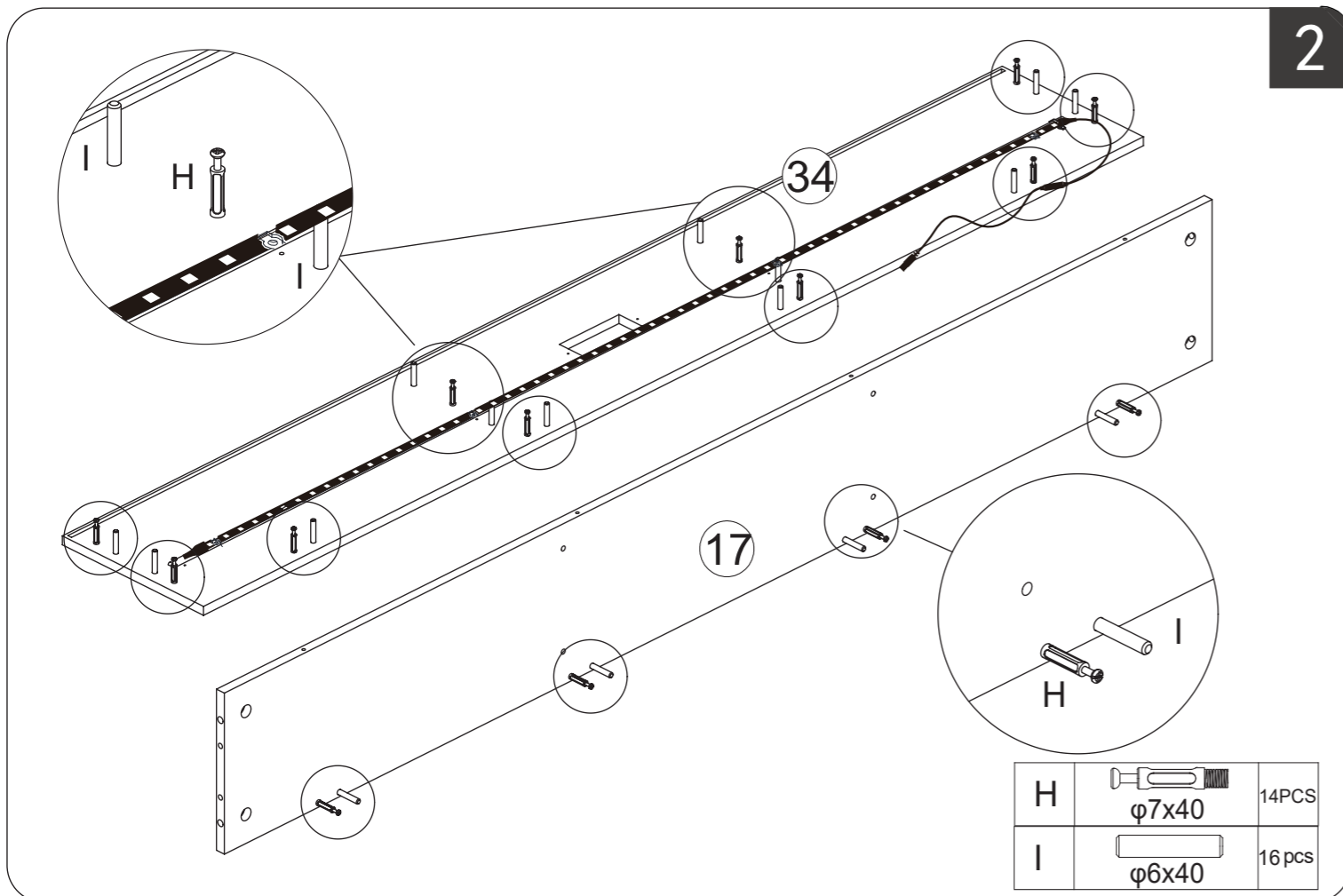
<b>A</b>  M8x12 32PCS	<b>B</b>  M8x20 22PCS	<b>C</b>  M8x33 26PCS
<b>D</b>  M8x45 10PCS	<b>E</b>  M8x60 4PCS	<b>F</b>  ST3.2x12 10PCS
<b>G</b>  ST4.2x12 2PCS	<b>H</b>  φ7x40 34PCS	<b>I</b>  φ6x40 36PCS
<b>J</b>  φ15x9.5 34PCS	<b>M</b>  M5x30 42PCS	<b>N</b>  10PCS
<b>O</b>  M5 1PC	<b>P</b>  M8 1PC	<b>Q</b>  M8 1PC
<b>U</b>  1PC	<b>K</b>  long 1PC	<b>K1</b>  short 1PC
<b>R</b>  4PCS		

# ASSEMBLY INSTRUCTIONS

1

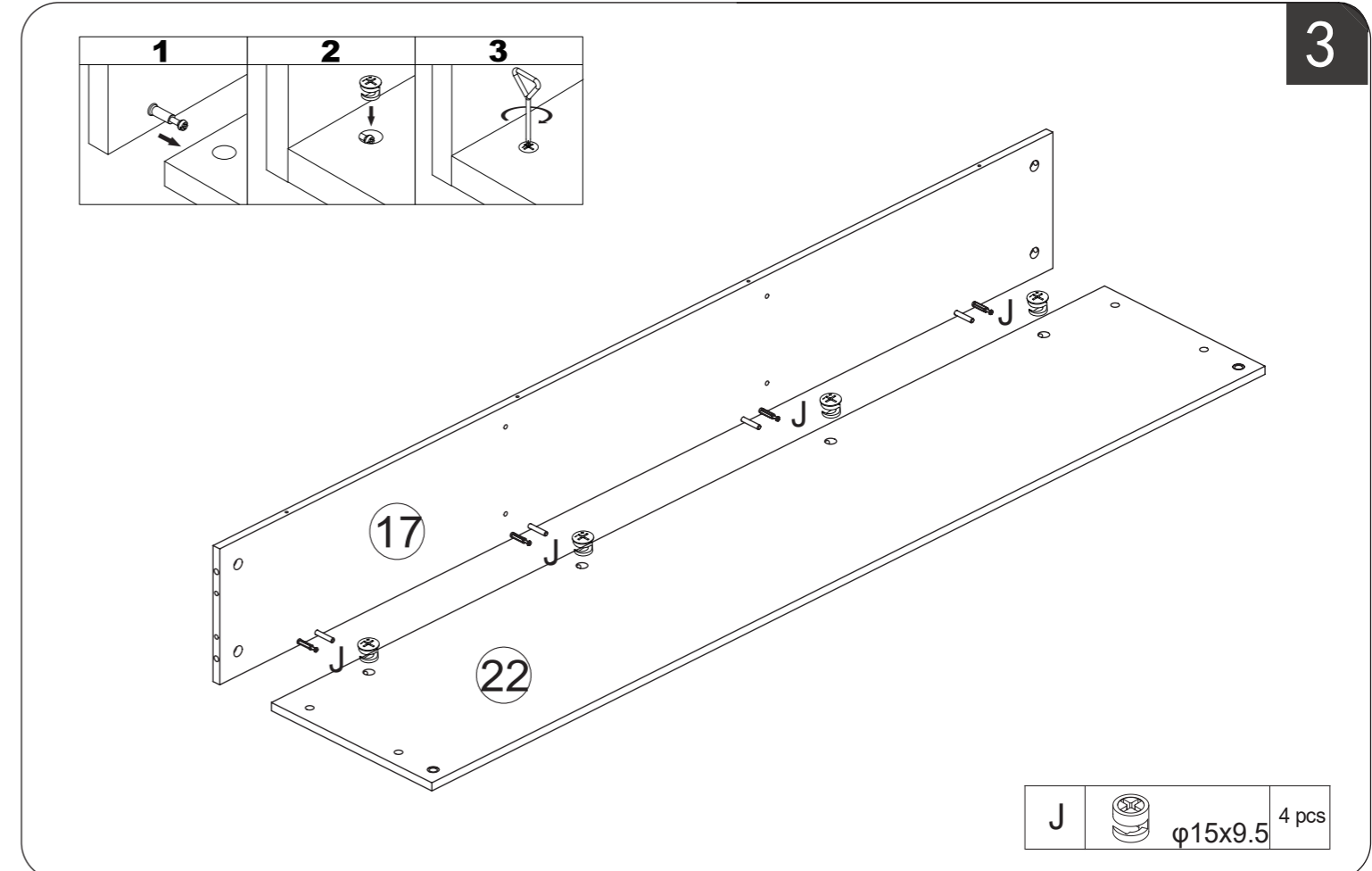


2

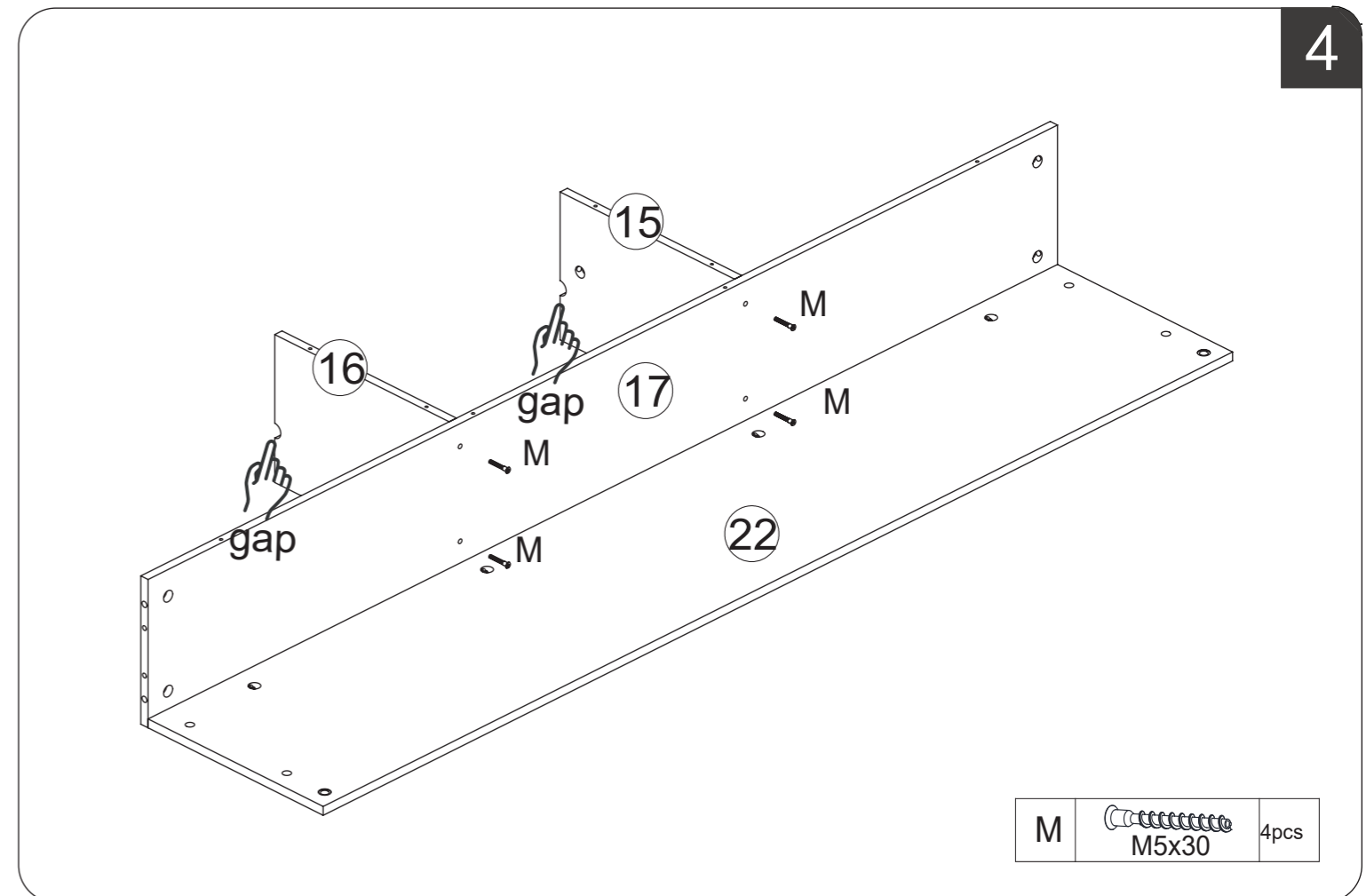


# ASSEMBLY INSTRUCTIONS

3

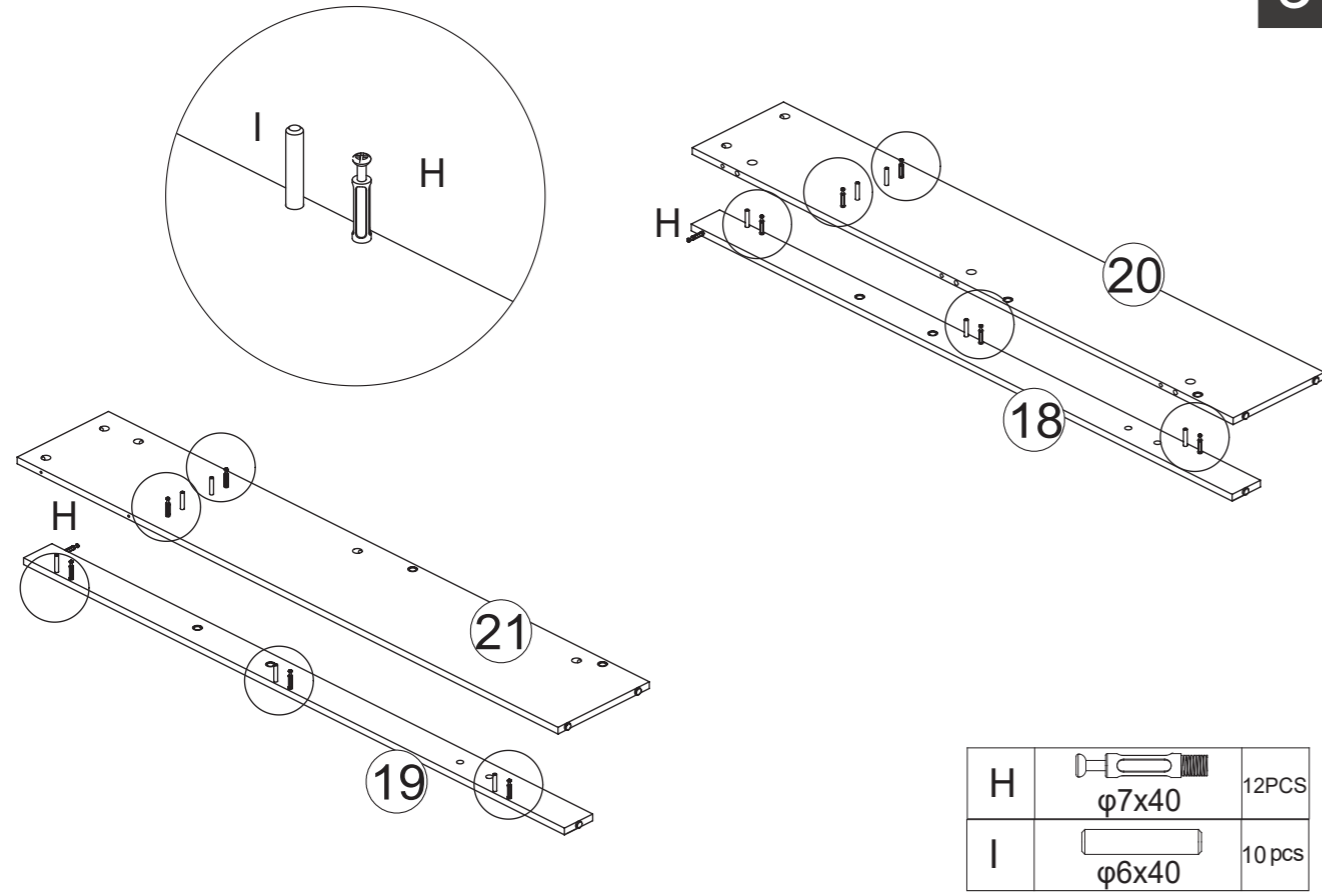


4



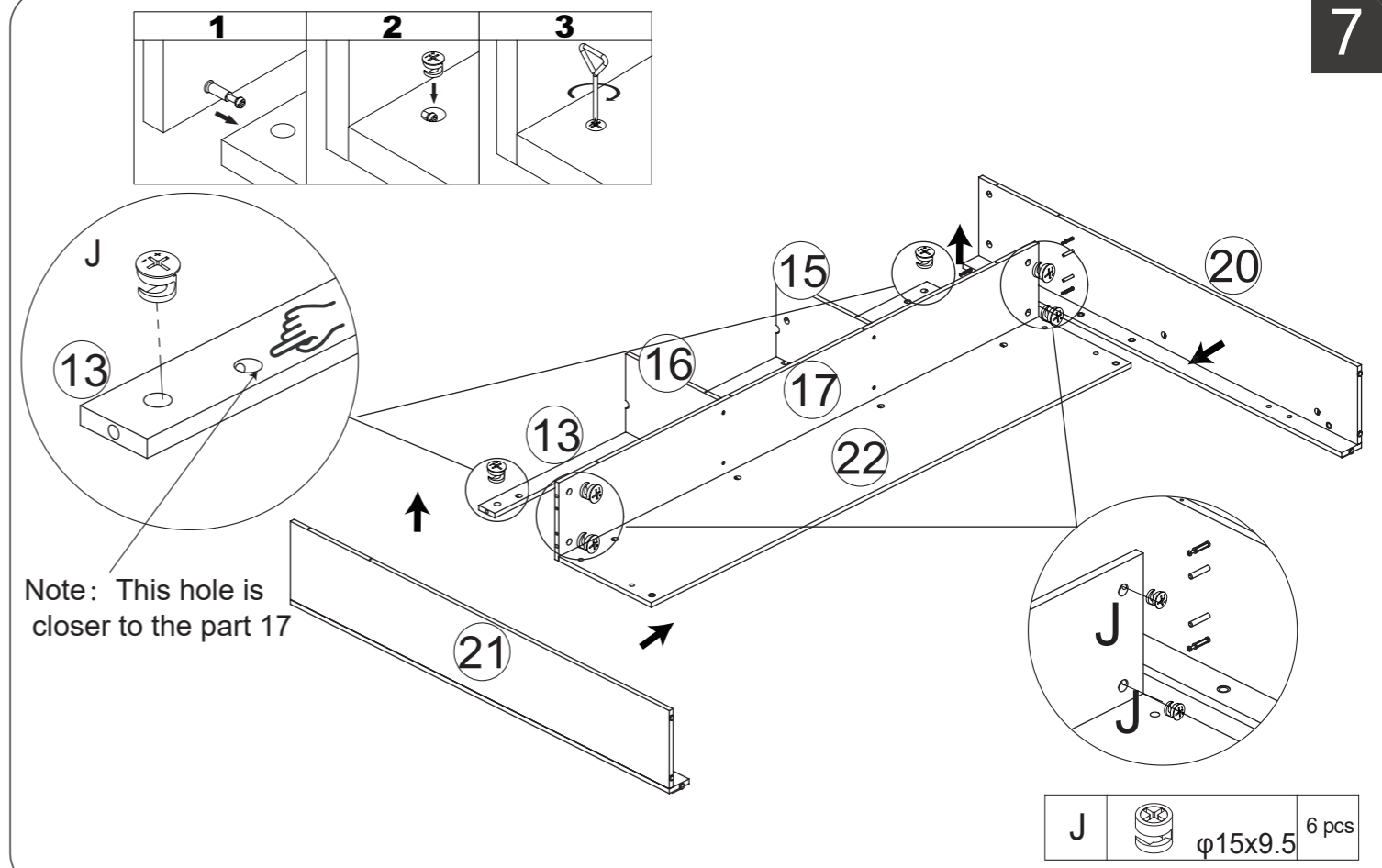
# ASSEMBLY INSTRUCTIONS

5

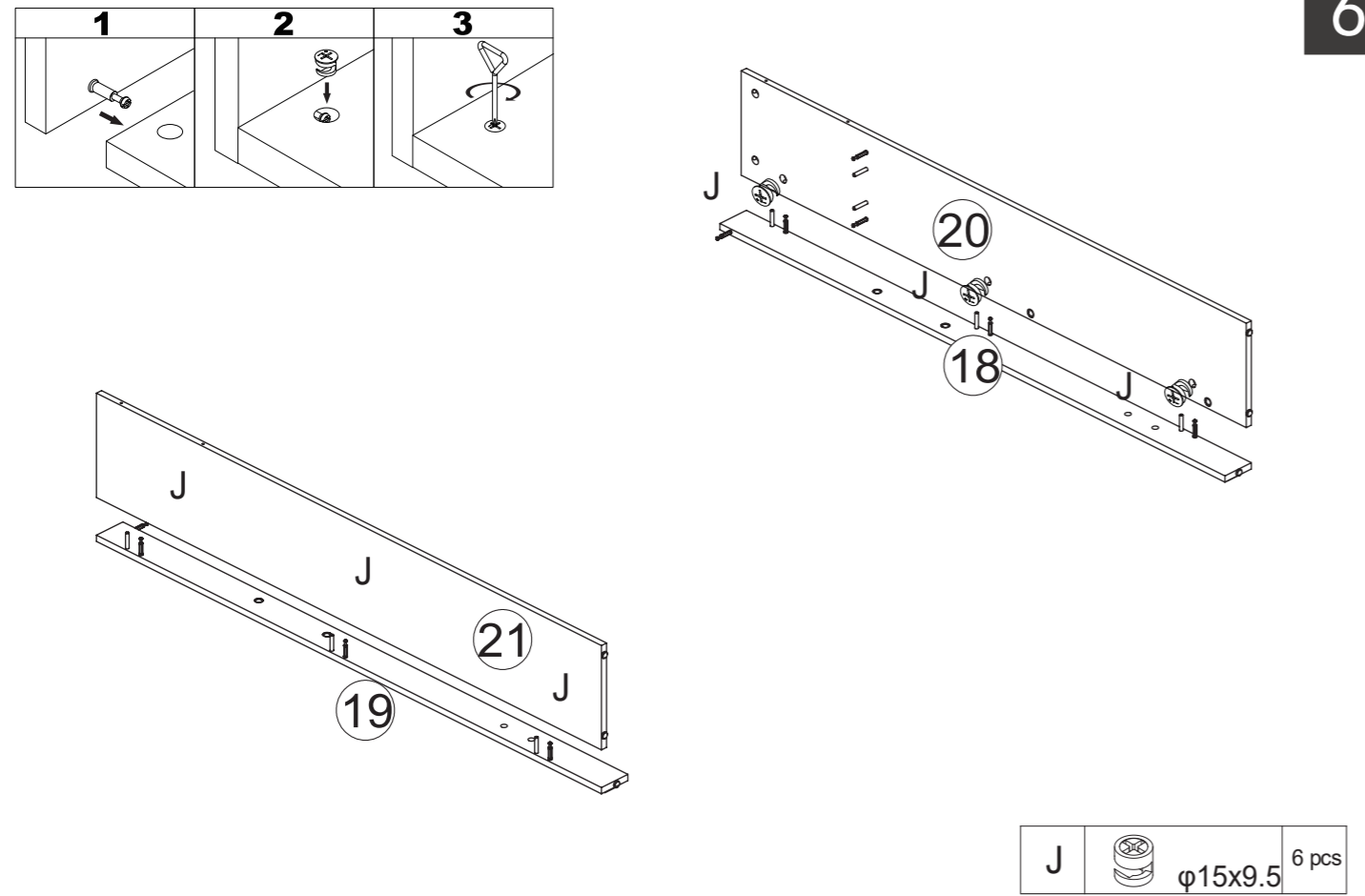


# ASSEMBLY INSTRUCTIONS

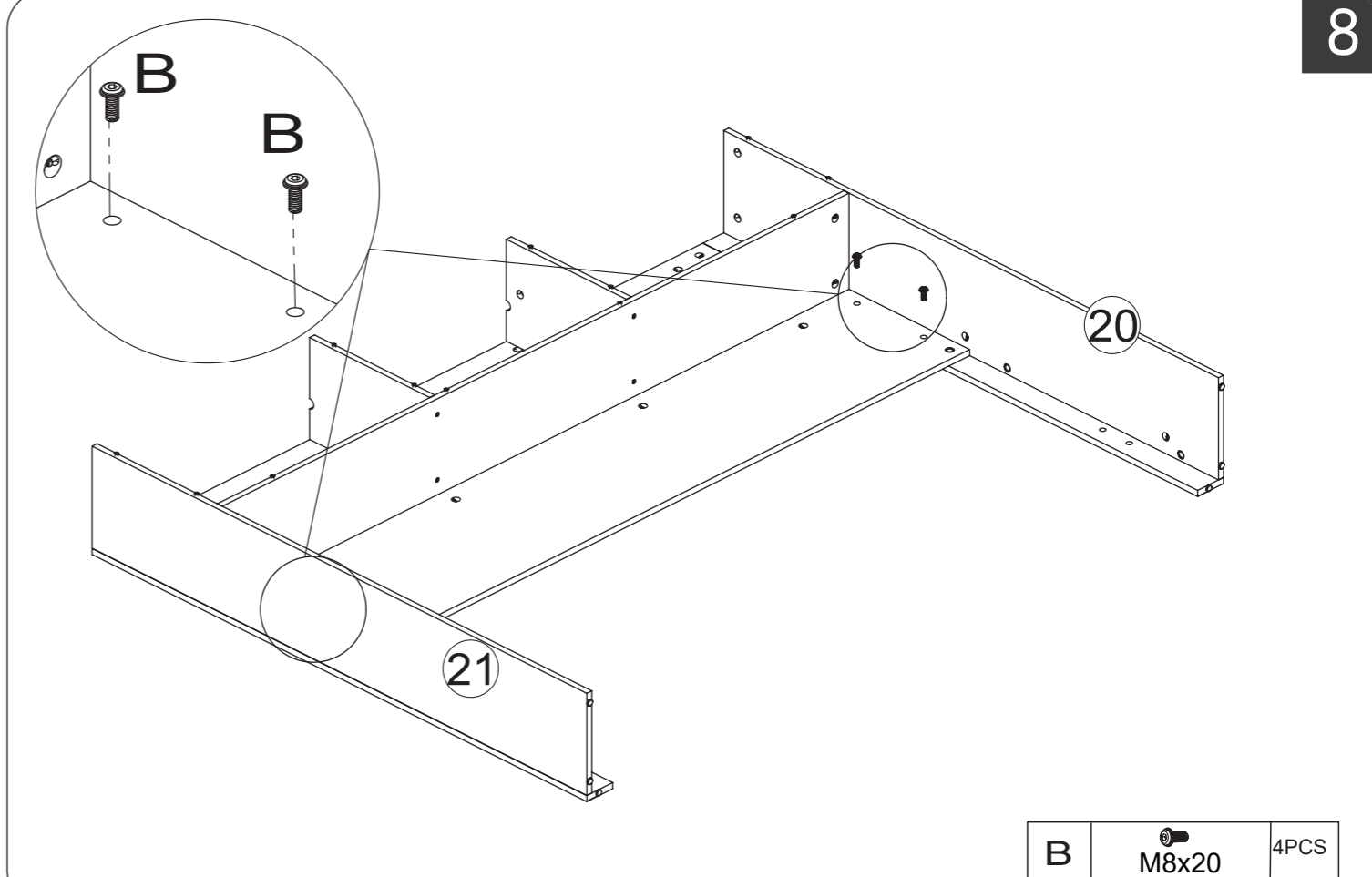
7



6



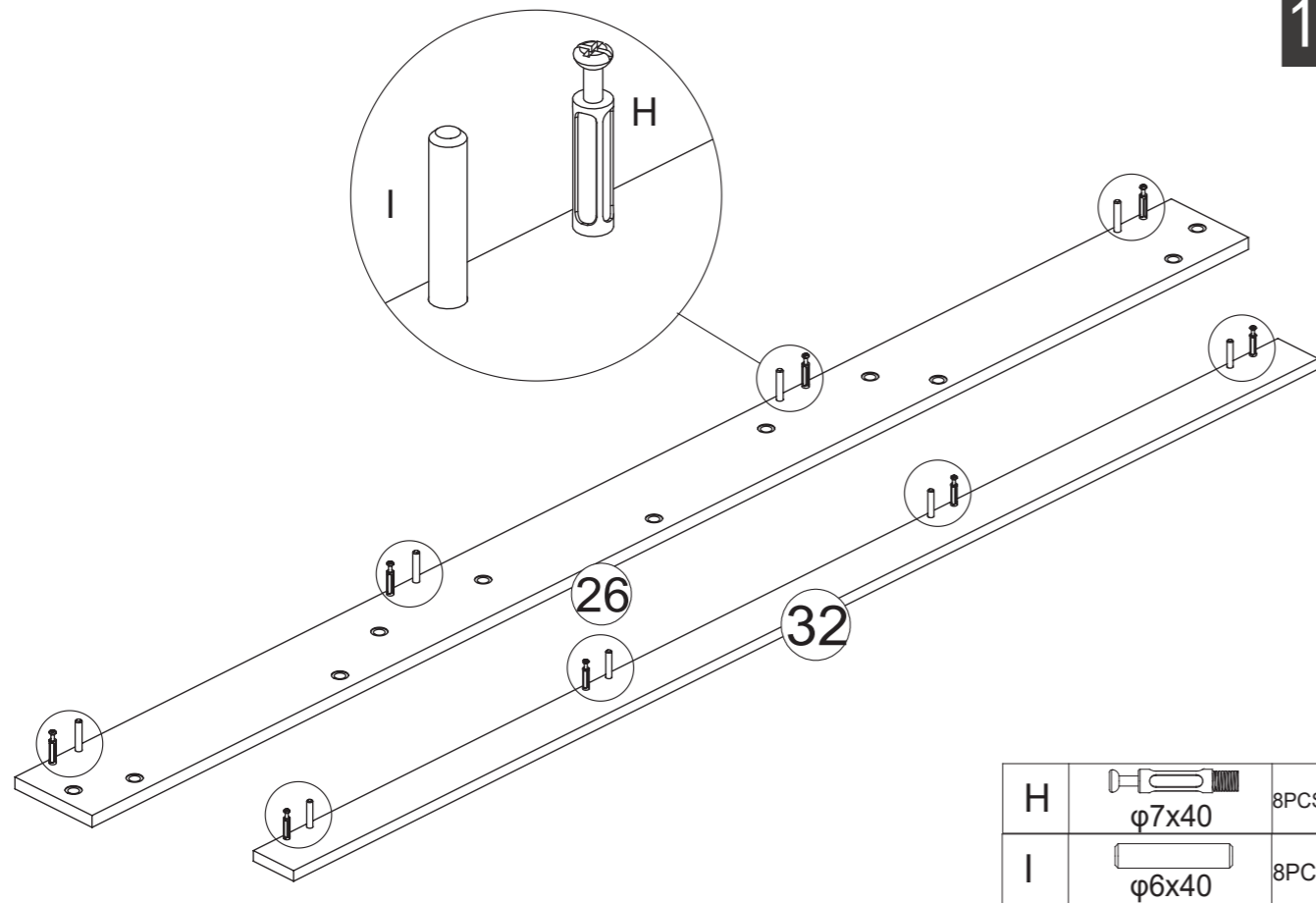
8

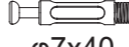
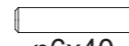




# ASSEMBLY INSTRUCTIONS

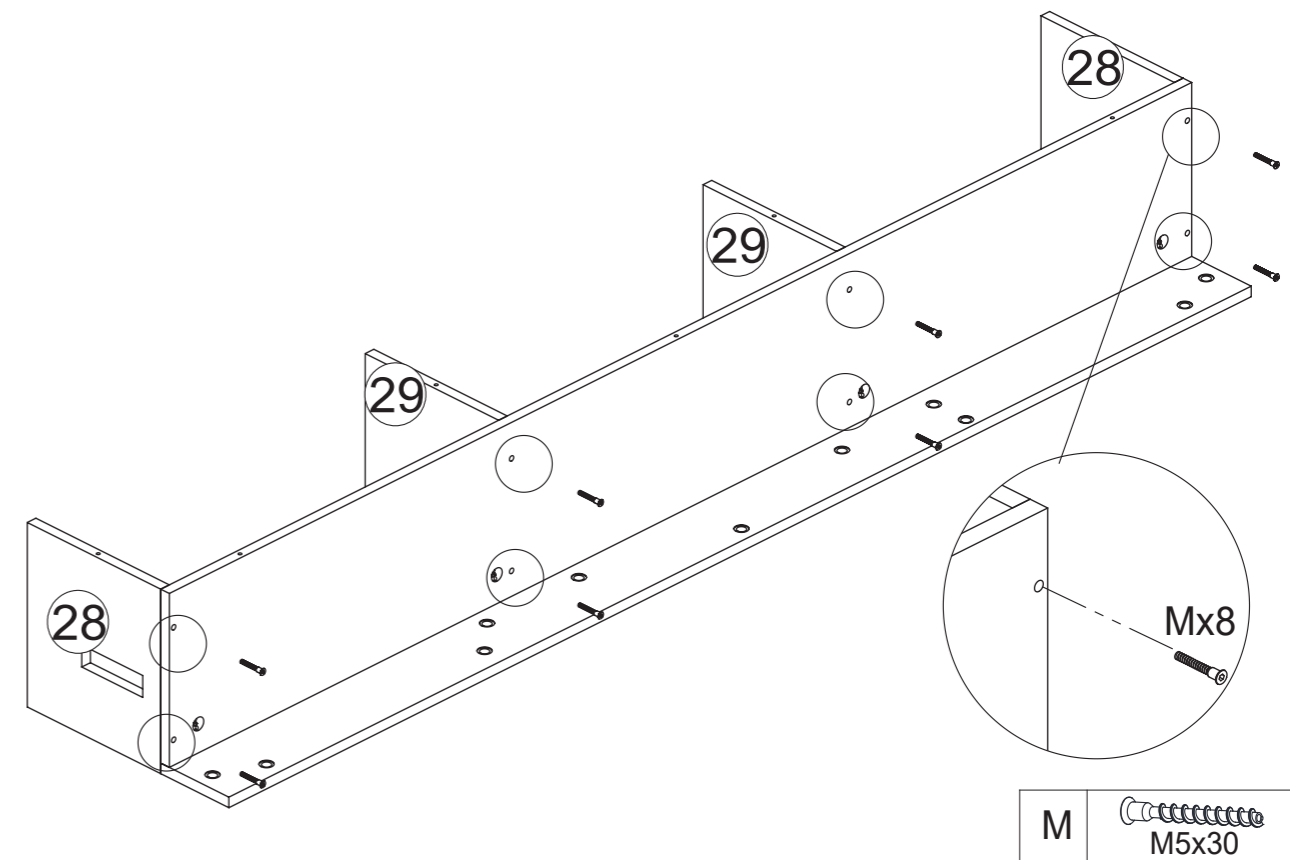
13




H		8PCS
I		8PCS

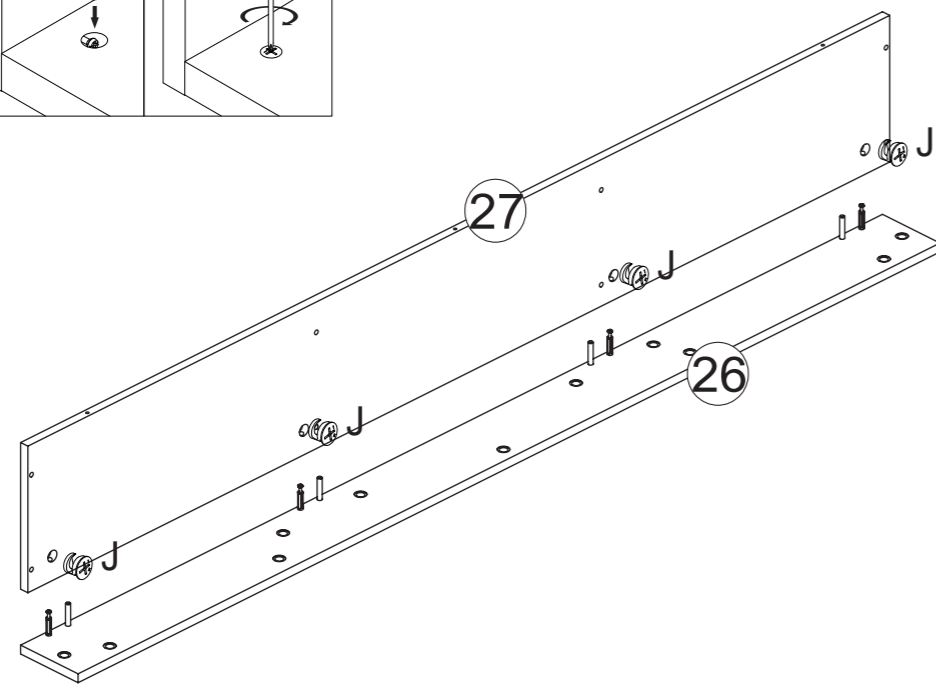
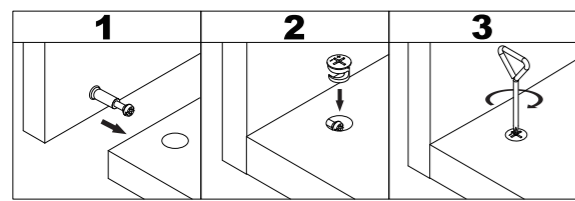
# ASSEMBLY INSTRUCTIONS


15



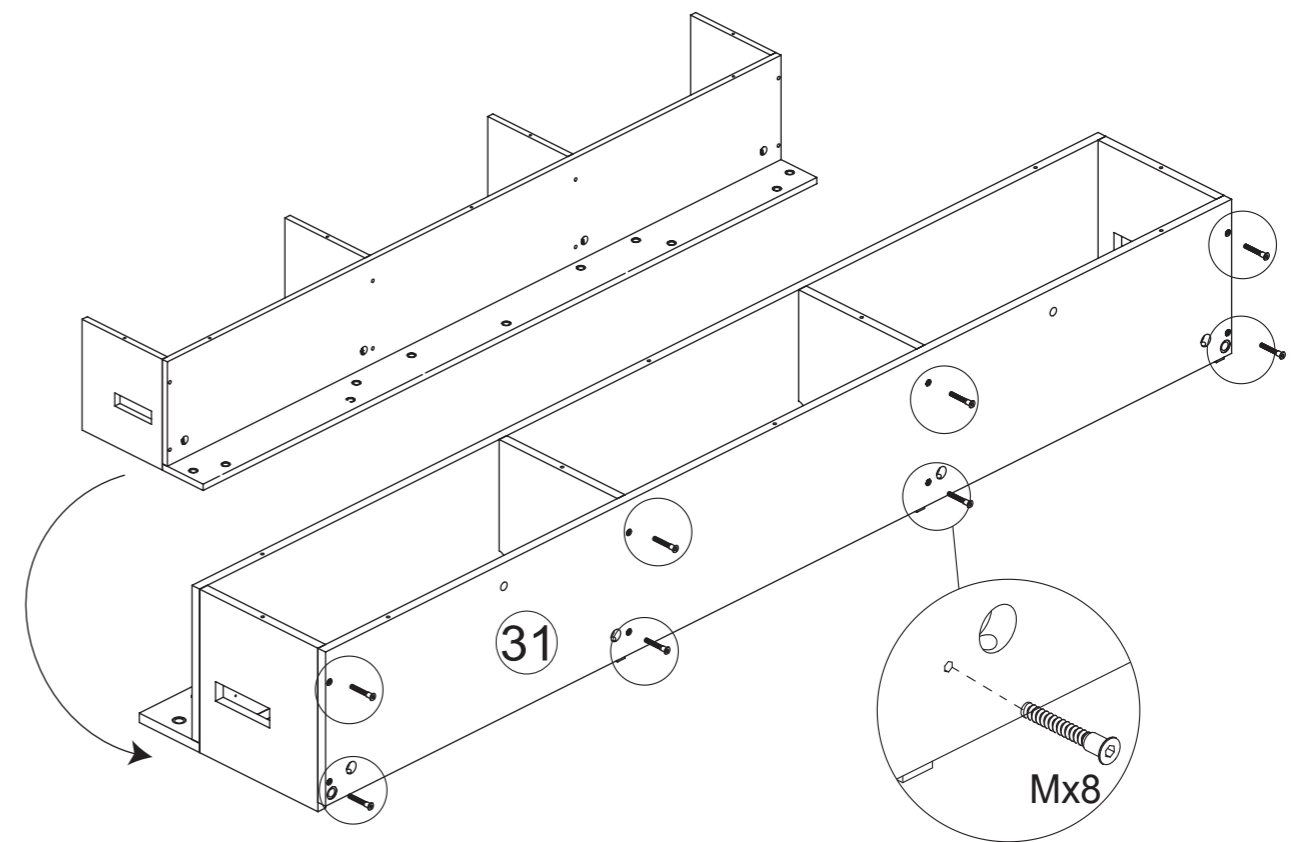
M		8pcs
---	--	------

14



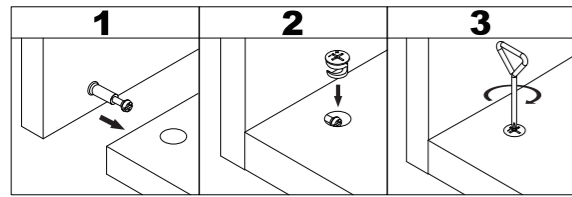
J		4 pcs
---	---	-------

16

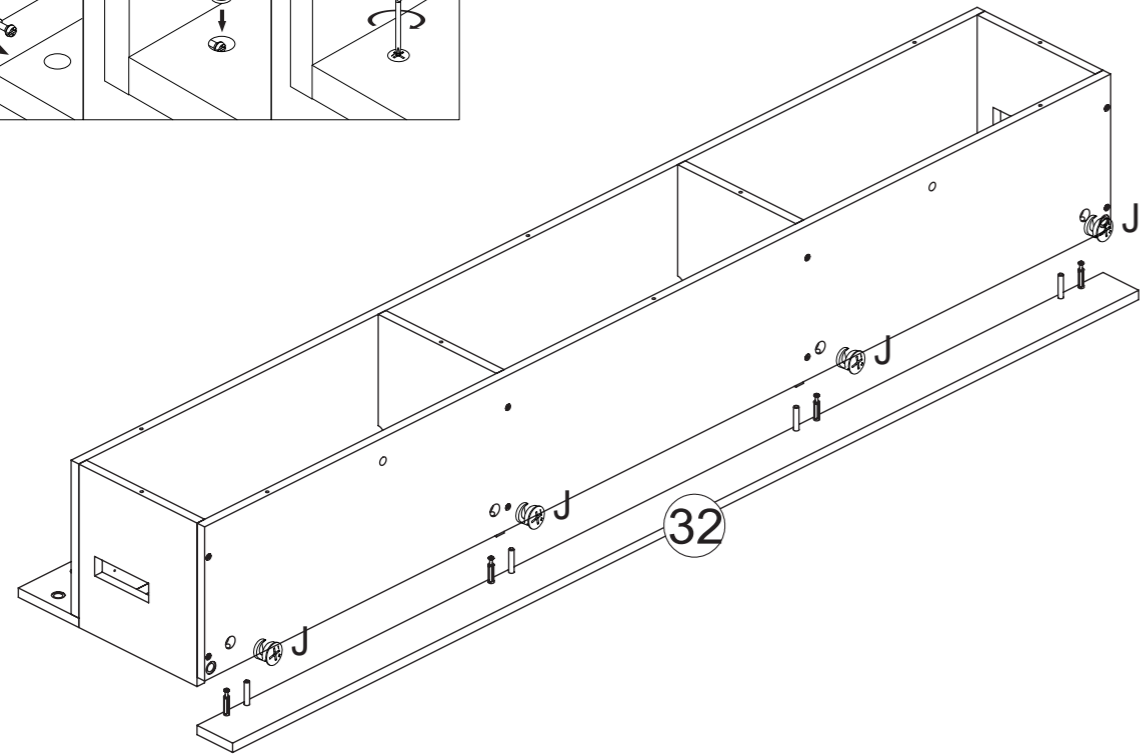


M		8pcs
---	---	------

# ASSEMBLY INSTRUCTIONS



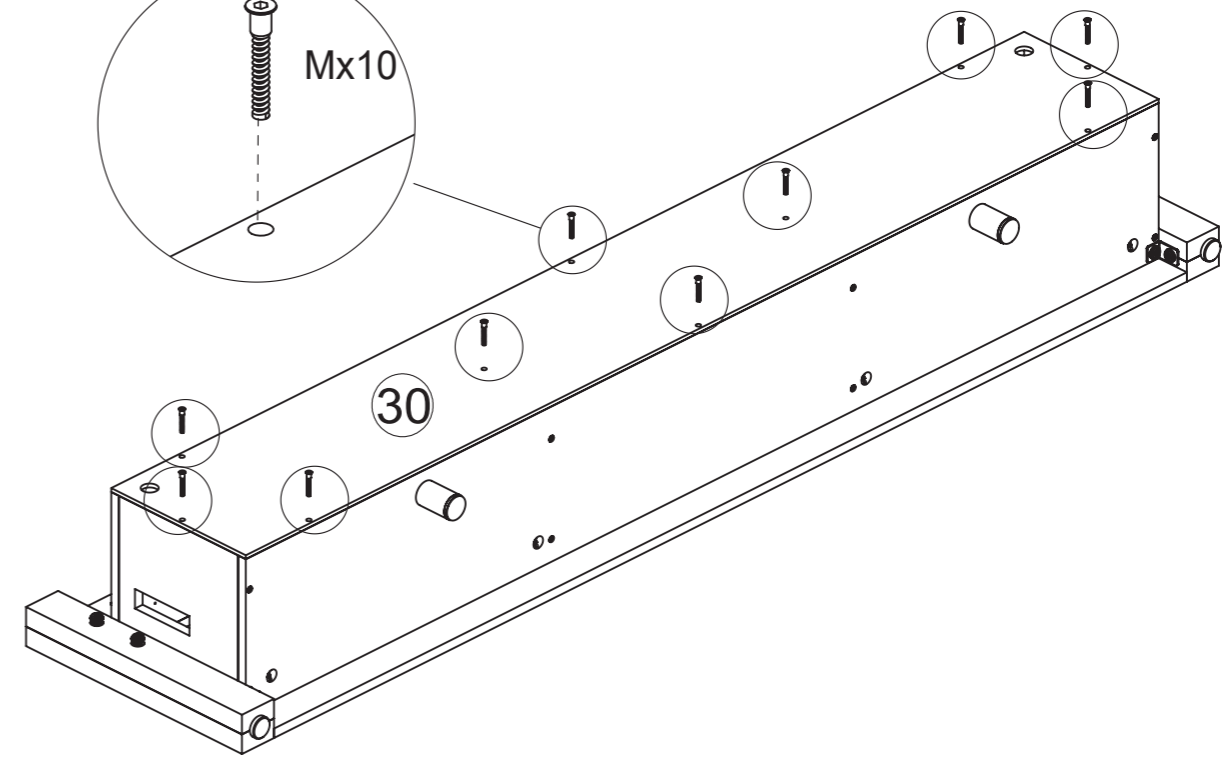
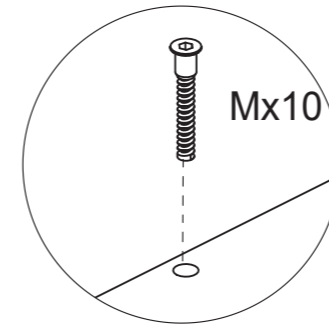
17



J		φ15x9.5	4 pcs
---	--	---------	-------

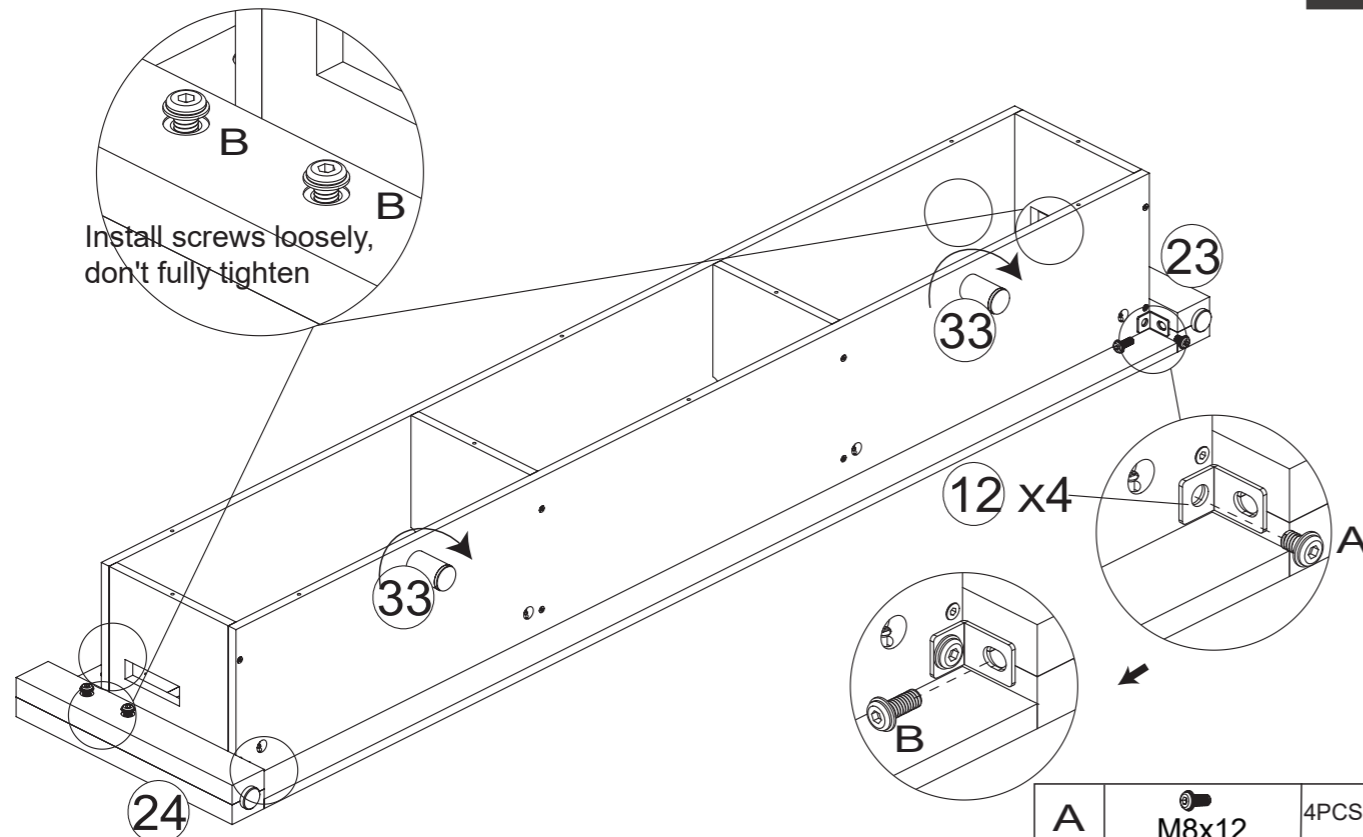
# ASSEMBLY INSTRUCTIONS

19



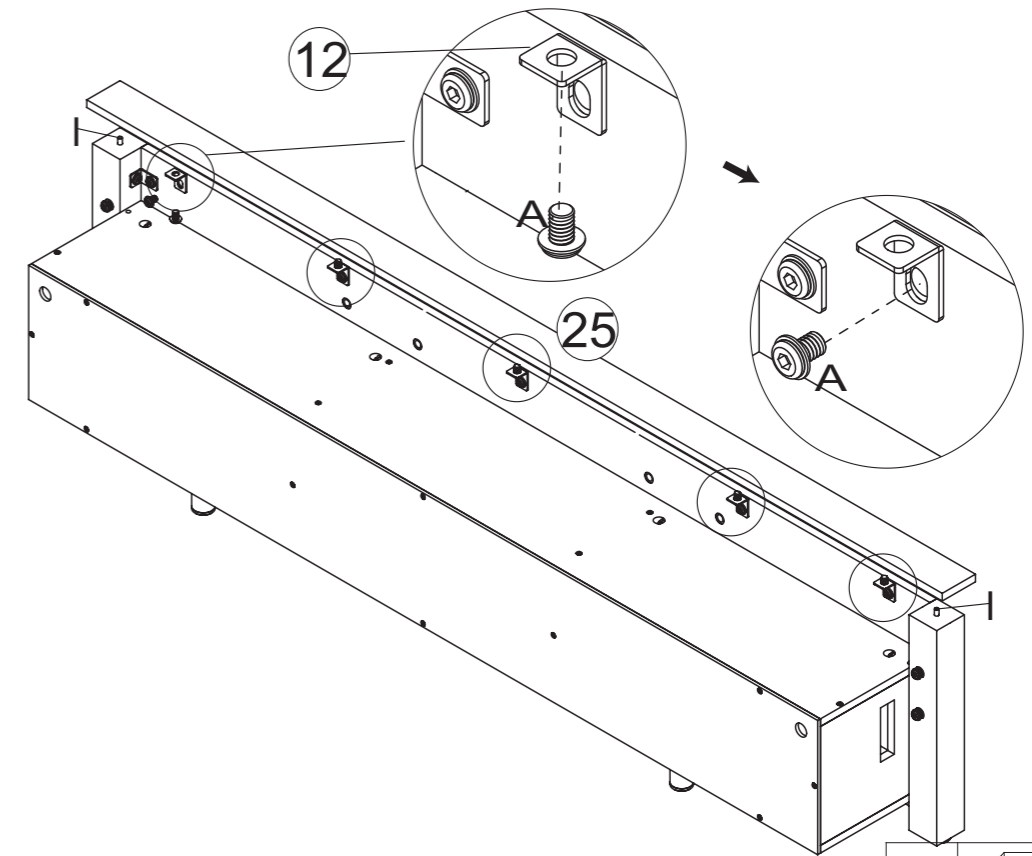
M		M5x30	10pcs
---	--	-------	-------

18



A		M8x12	4PCS
B		M8x20	8PCS

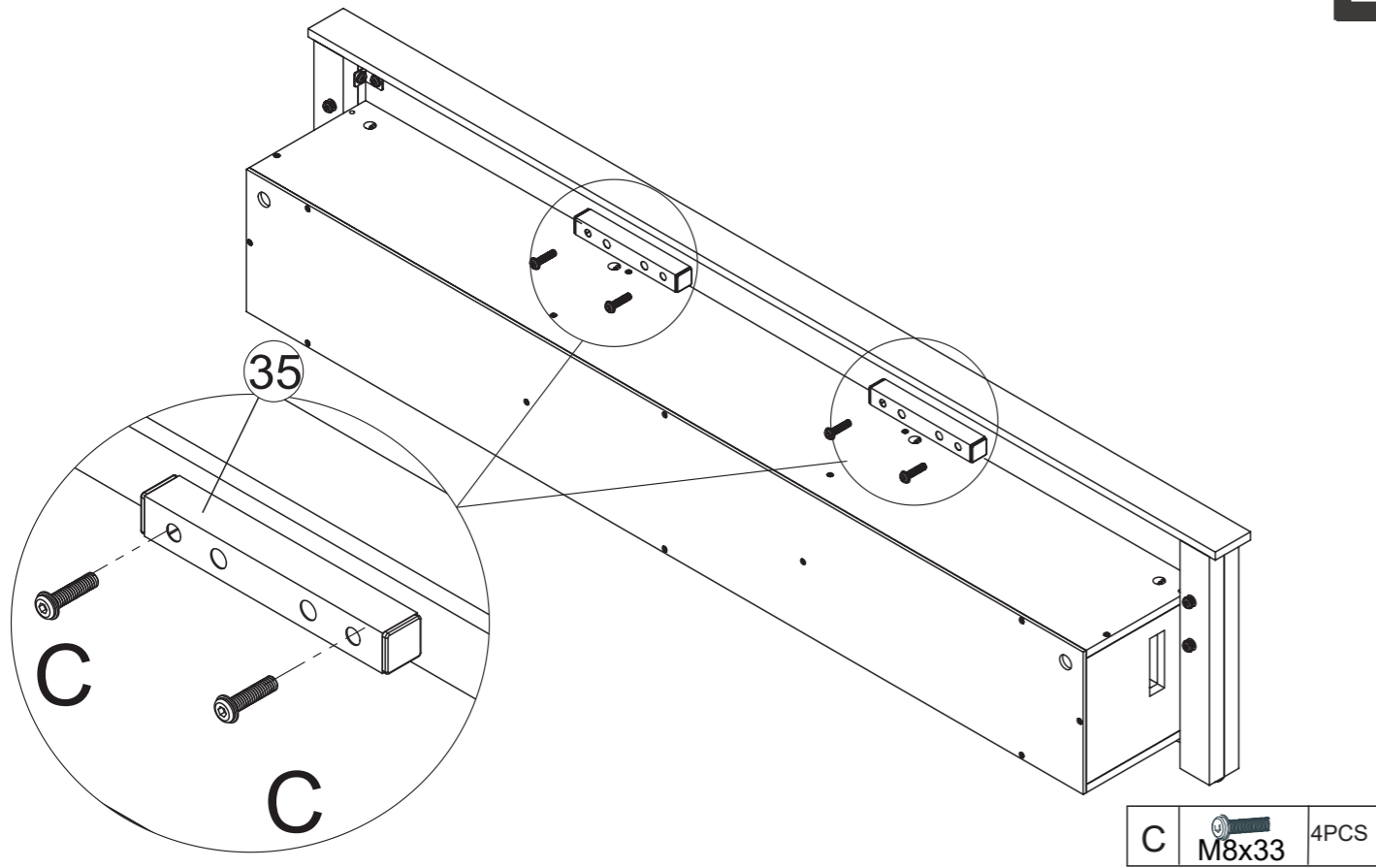
20



I		φ6x40	2PCS
A		M8x12	10PCS

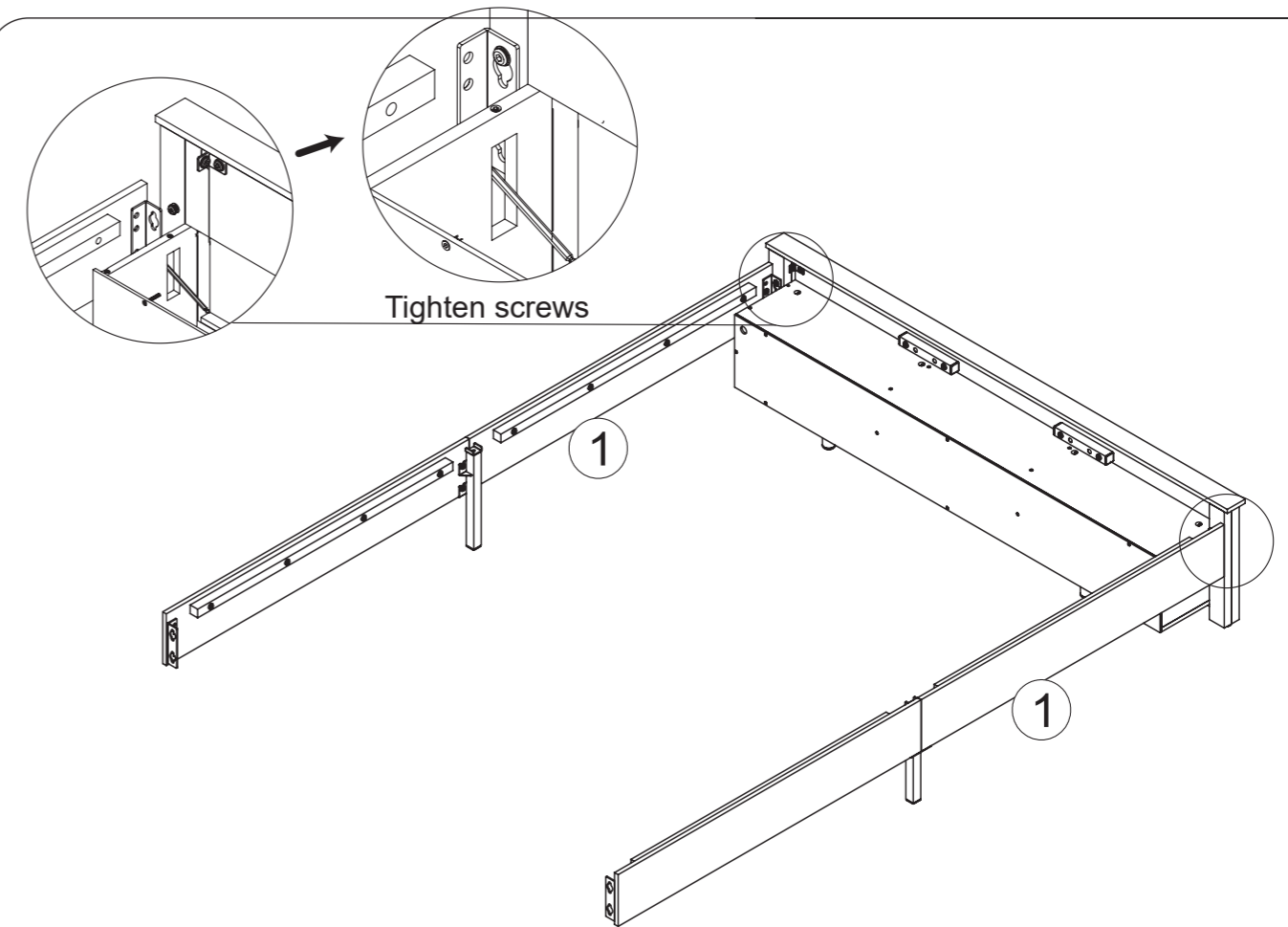
# ASSEMBLY INSTRUCTIONS

21

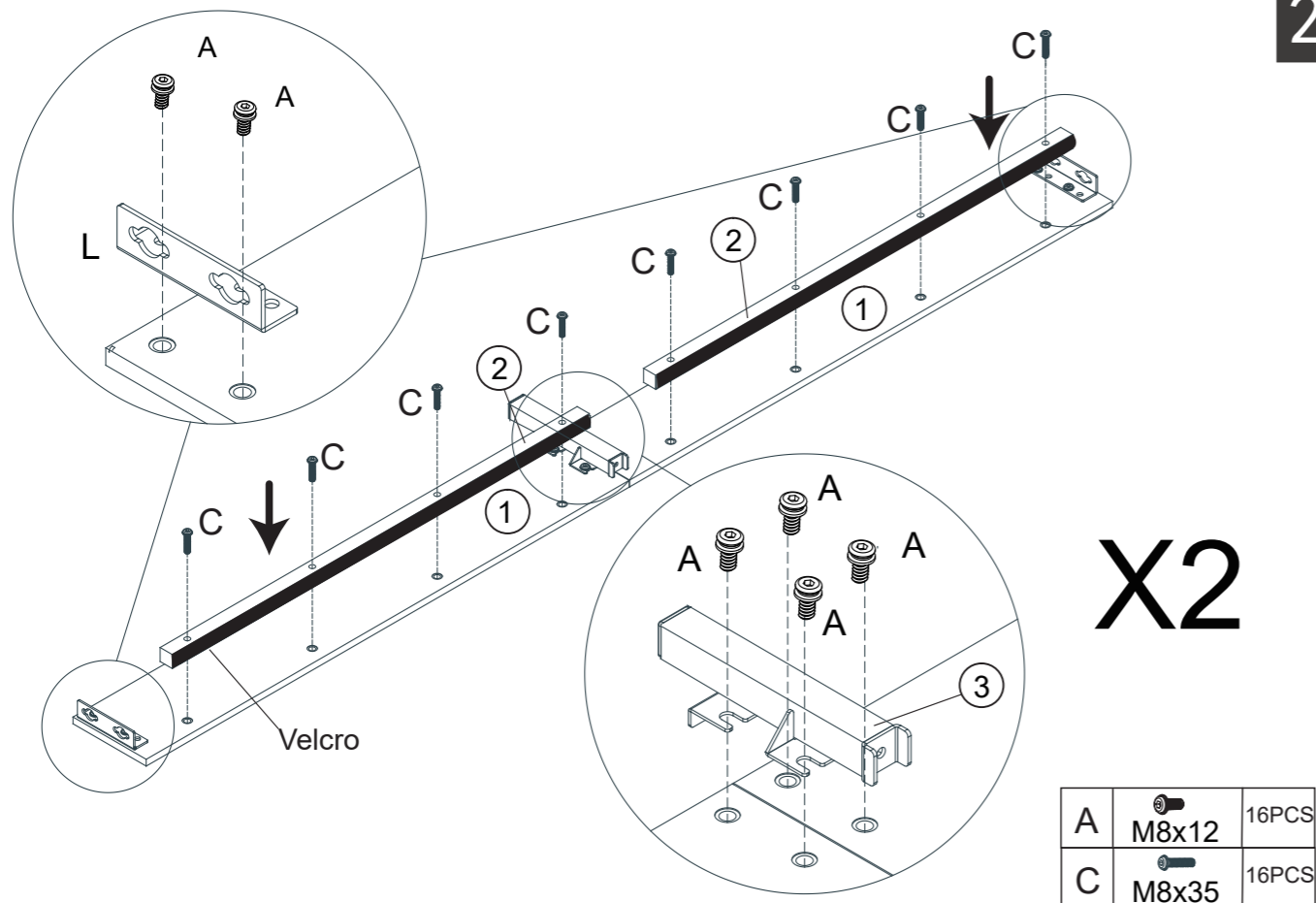


# ASSEMBLY INSTRUCTIONS

23

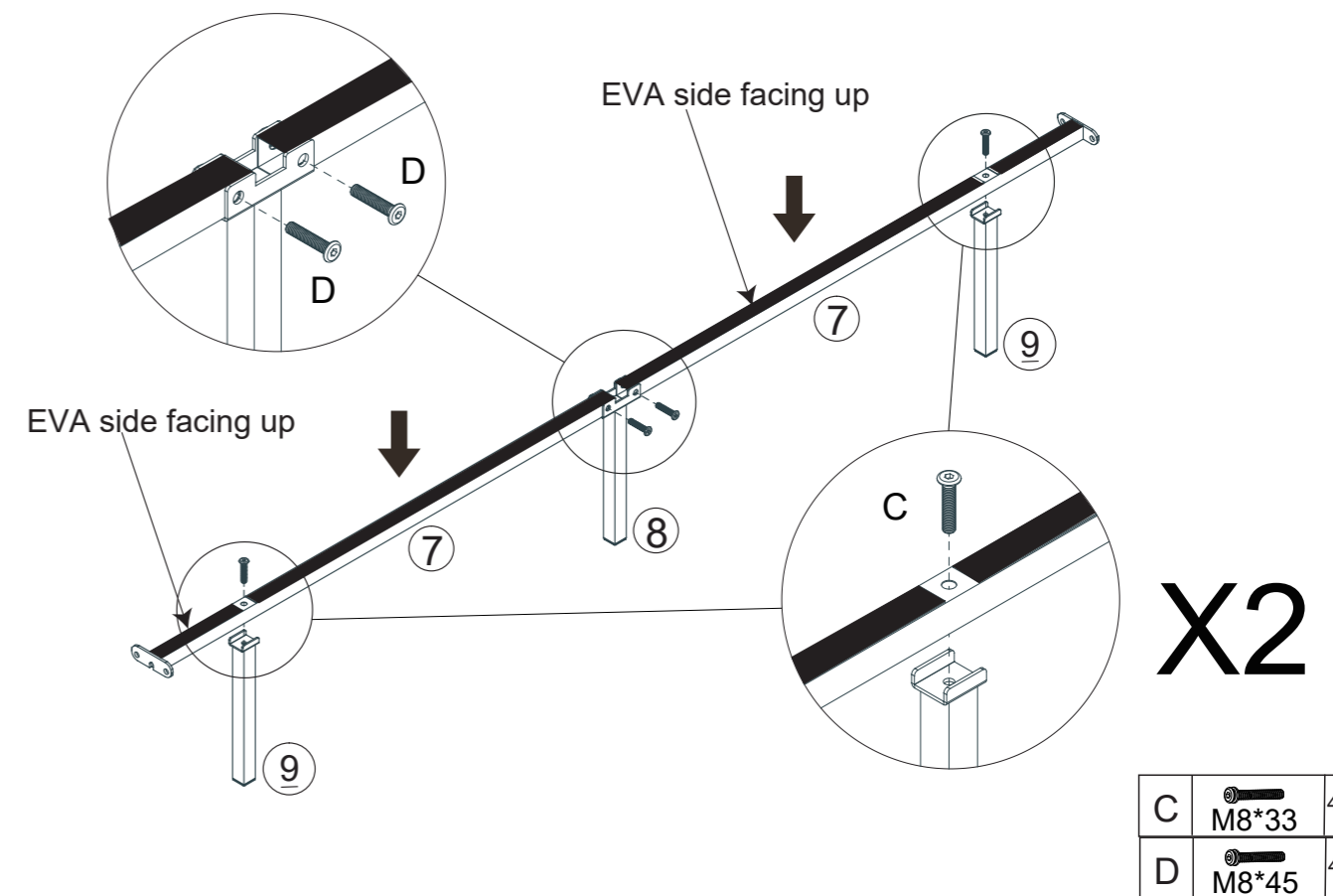


22



X2

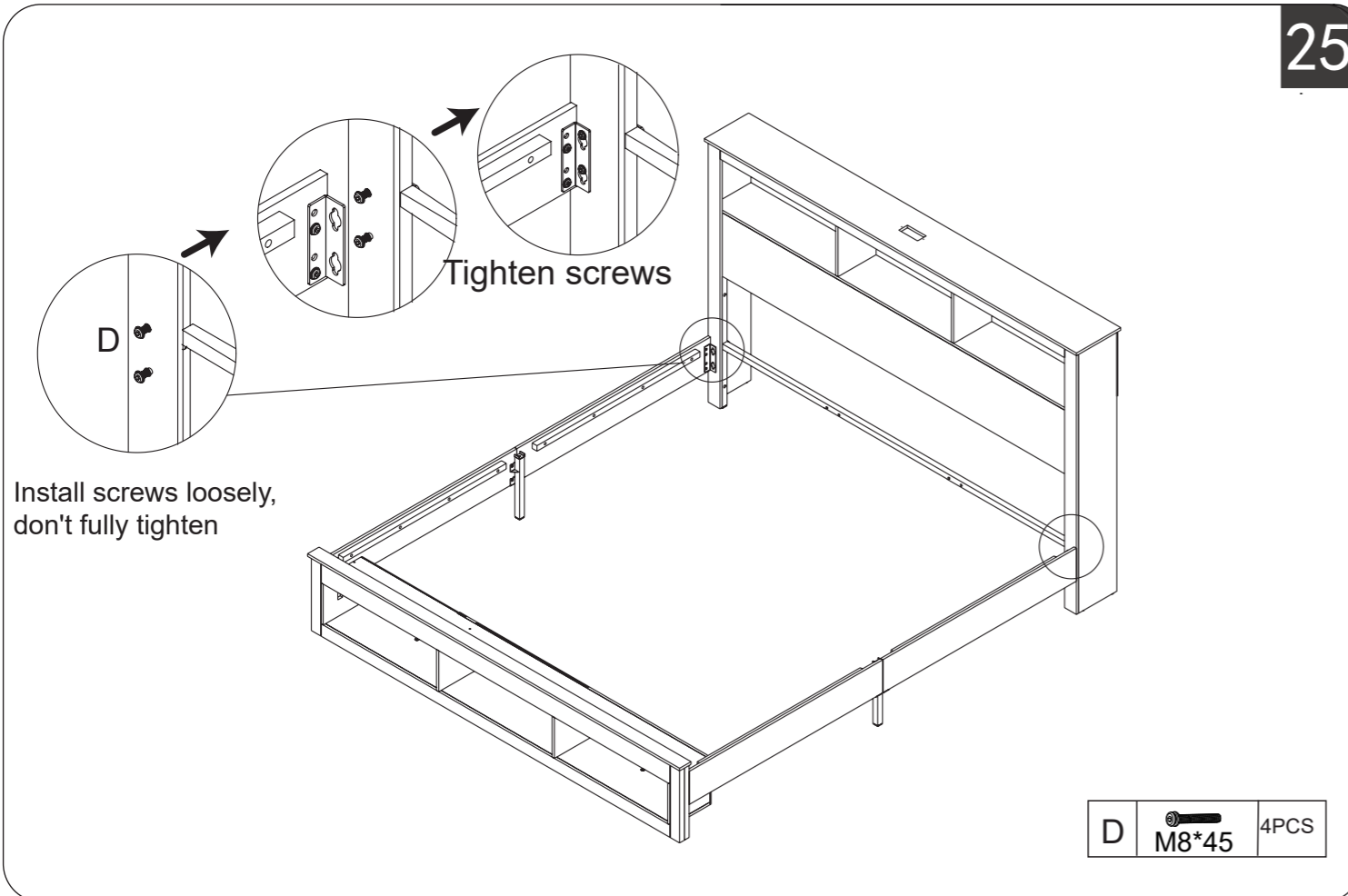
24



X2

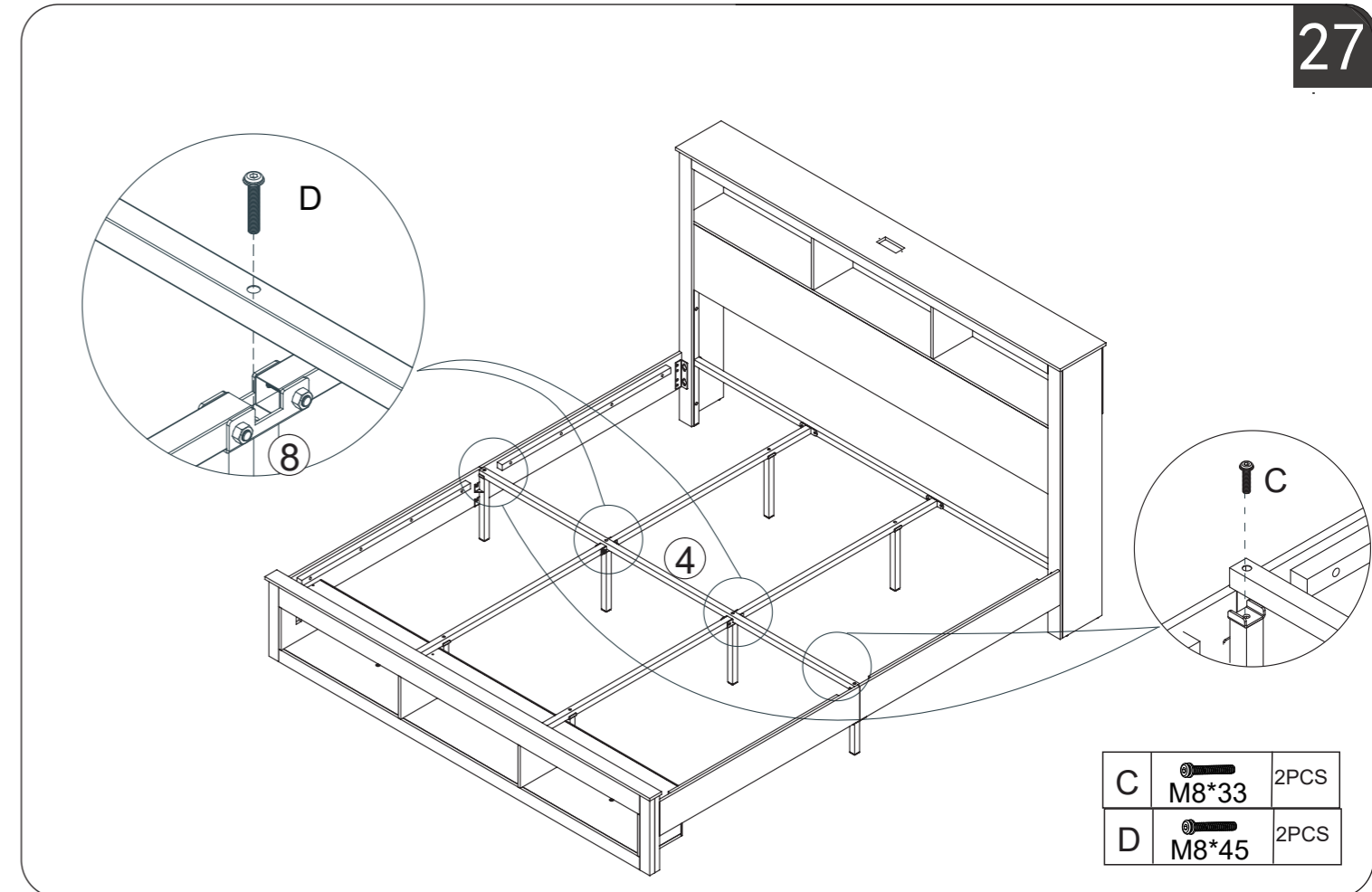
# ASSEMBLY INSTRUCTIONS

25

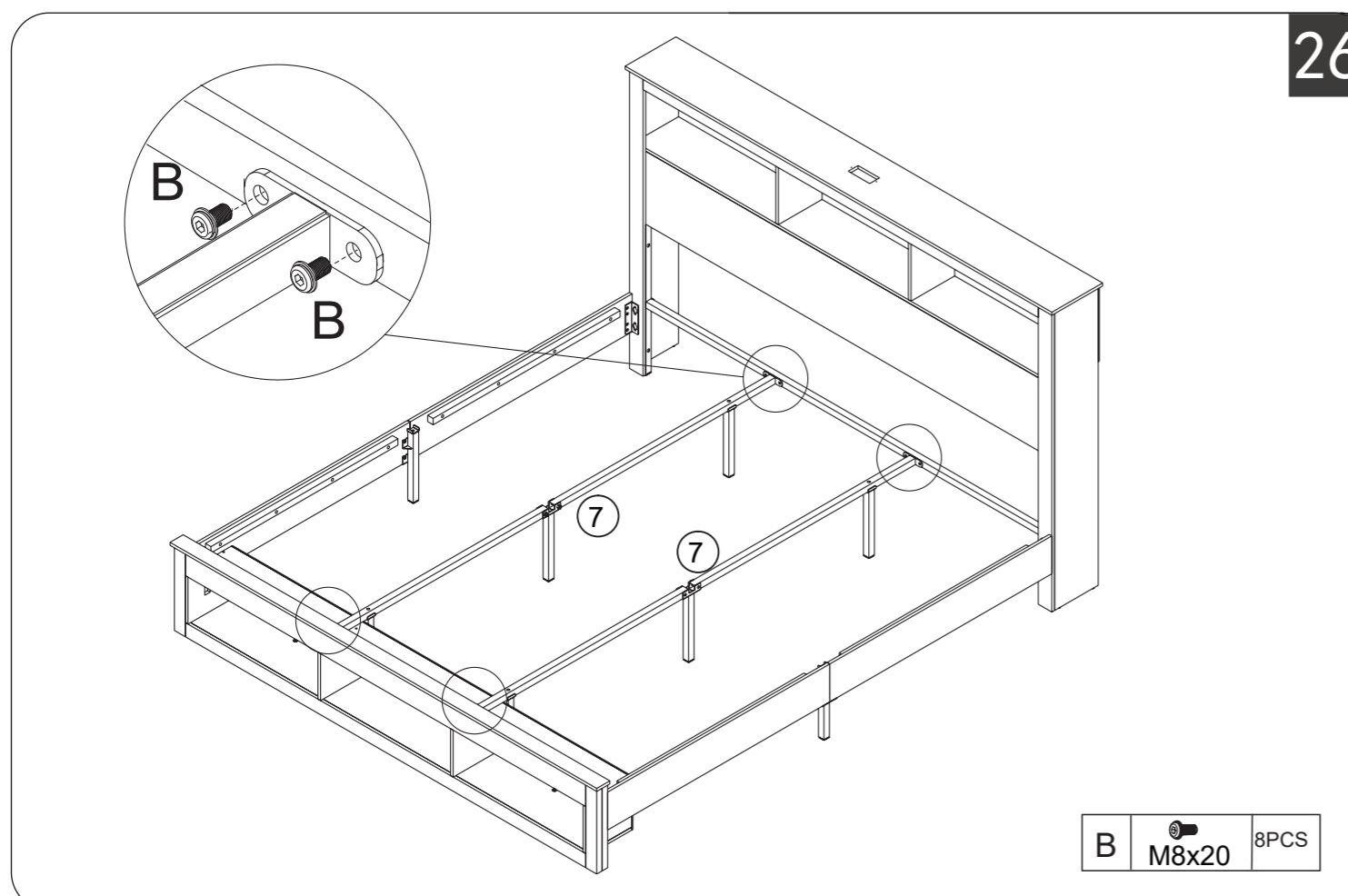


# ASSEMBLY INSTRUCTIONS

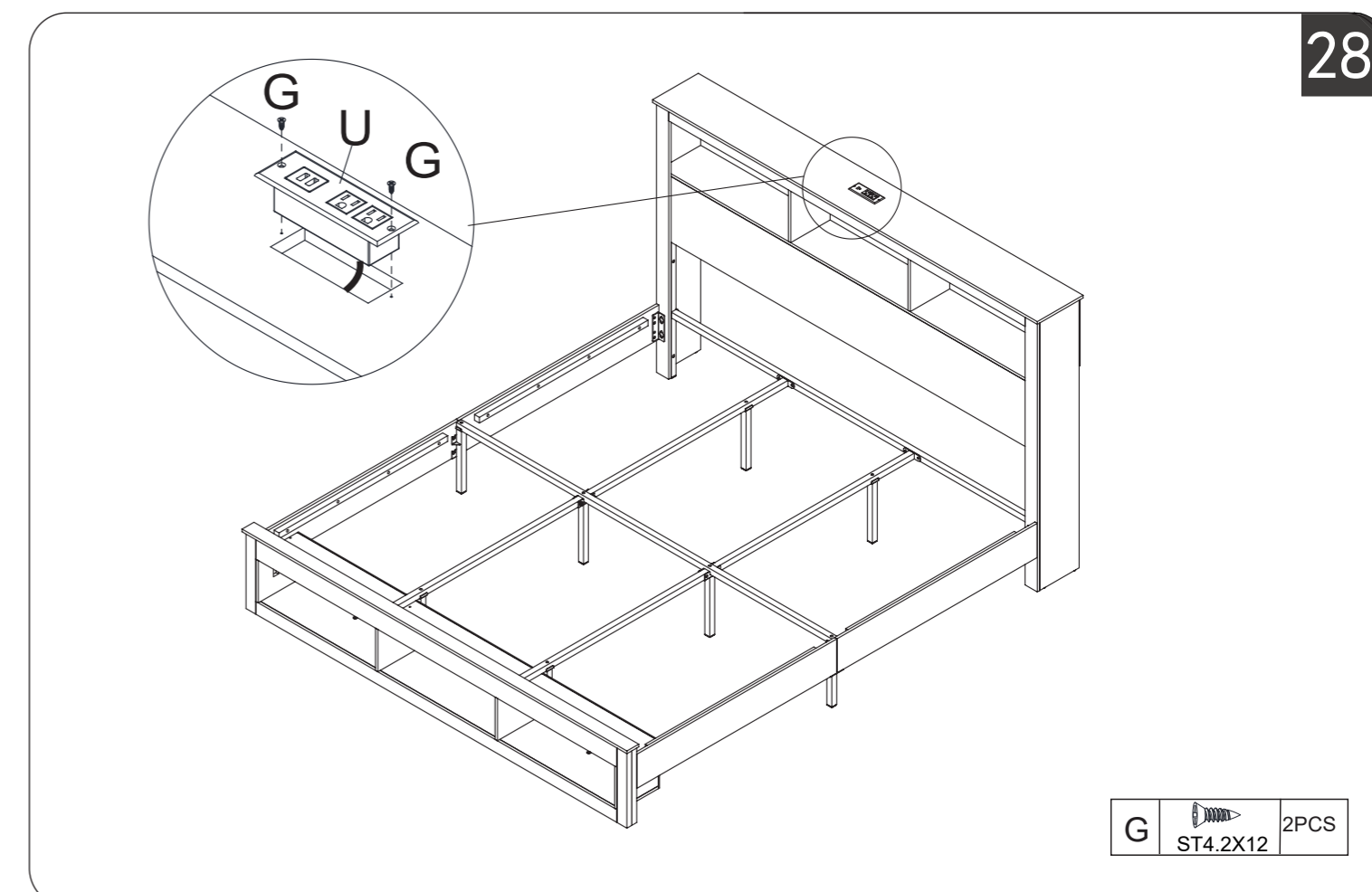
27



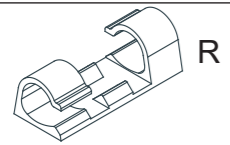
26



28



# ASSEMBLY INSTRUCTIONS



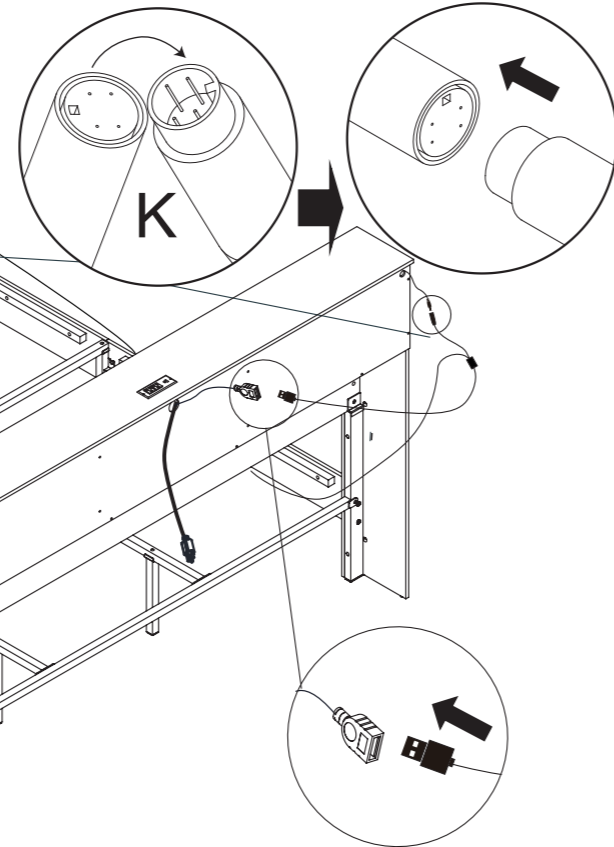
R

Use a line organizer to organize the circuit

Tips: The Led strip connector on headboard and footboard should be on the same side. If not, pls adjust the Led strip on headboard

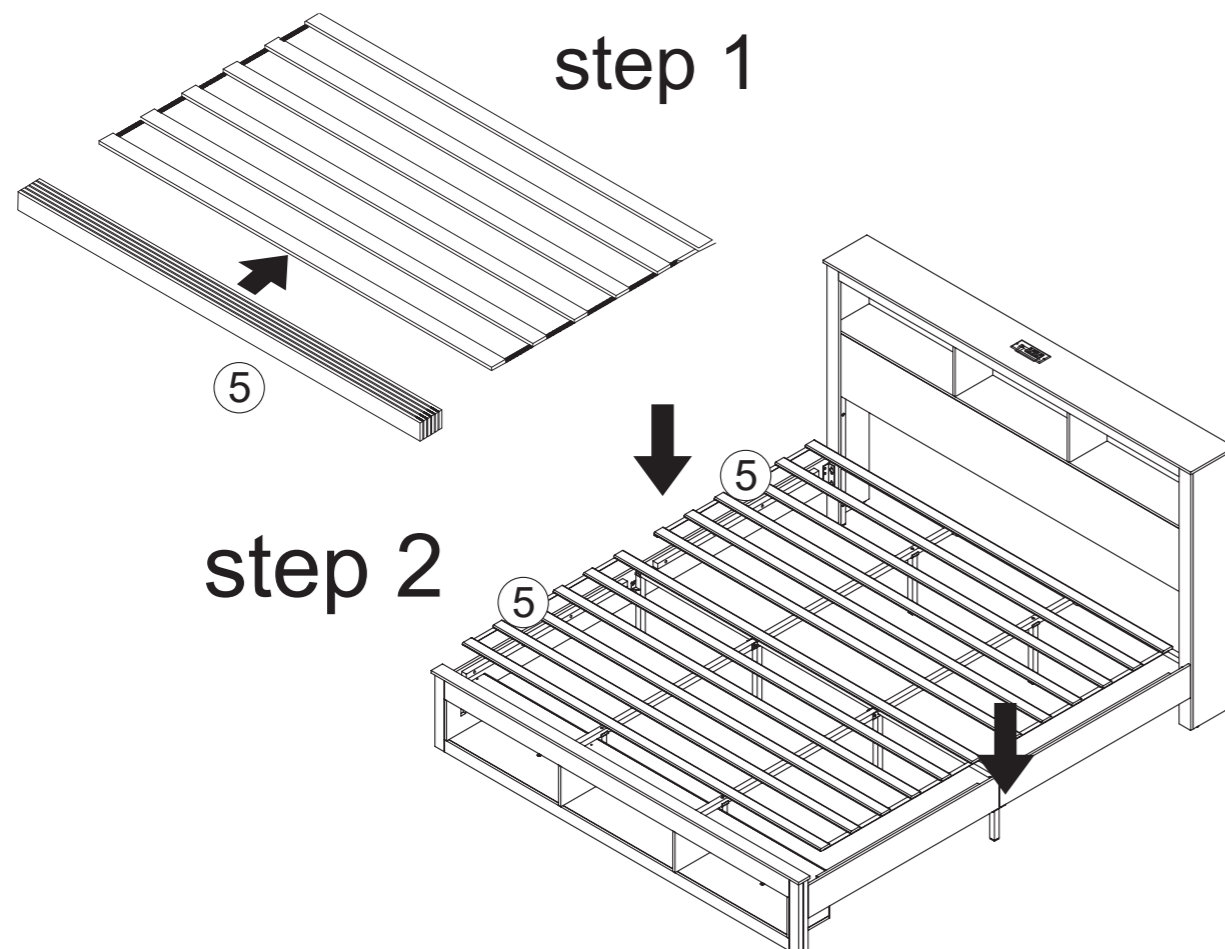
Connect cables from the lights on headboard and footboard with one power cable.

29



step 1

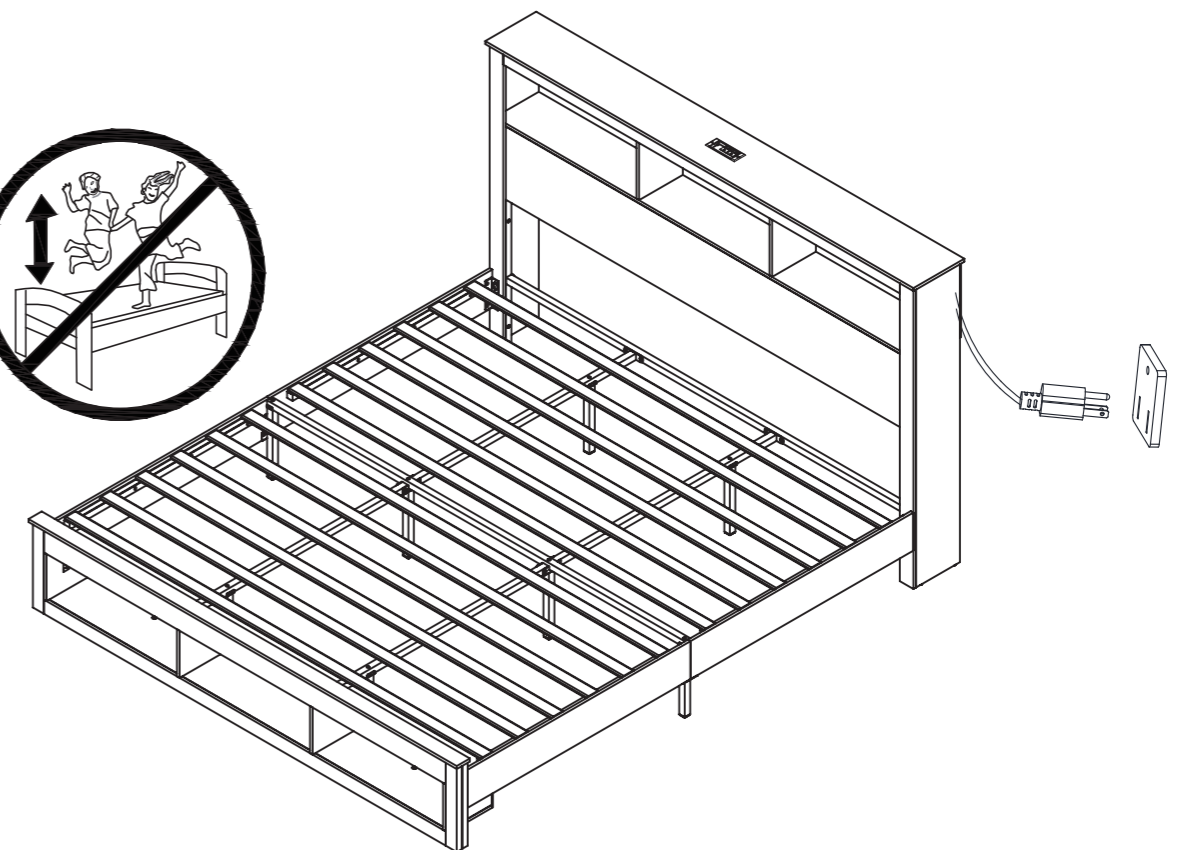
30



step 2

# ASSEMBLY INSTRUCTIONS

31



Installation Complete

