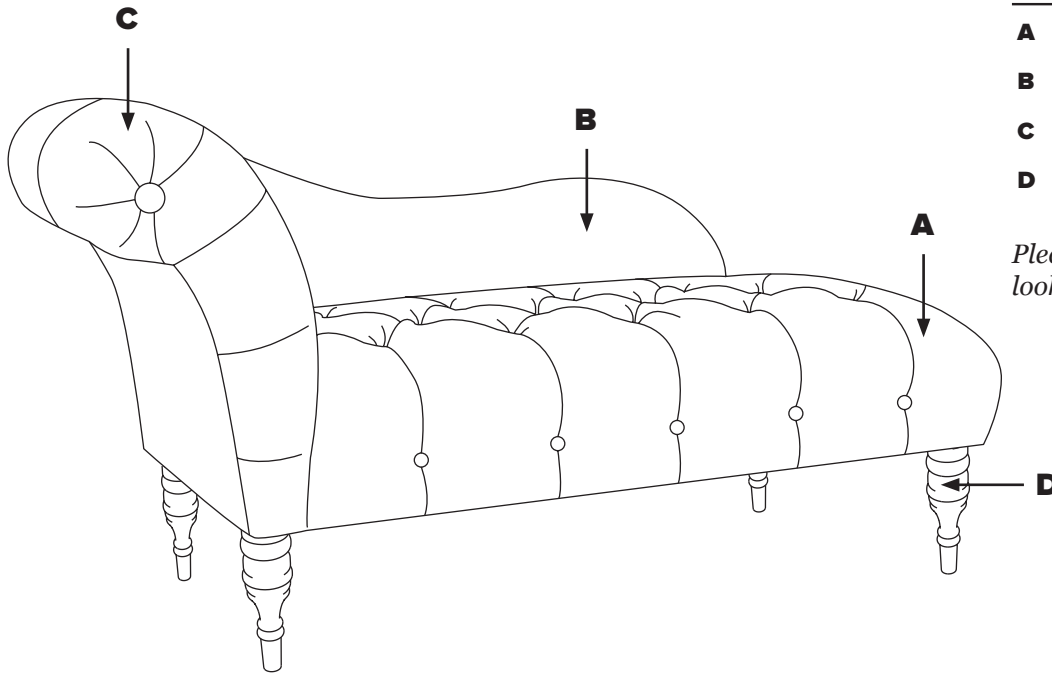


CHAISE ASSEMBLY

COMPONENTS



| ITEM | DESCRIPTION | QTY |
|----------|-------------|-----|
| A | Seat | 1 |
| B | Back | 1 |
| C | Arm | 1 |
| D | Legs | 4 |

Please note: actual product may look different than illustration.

HARDWARE



(H1) x 13
1 1/4" flat washer



(H2) x 5
5/16" nut

Please note: you will need a wrench to complete this assembly.

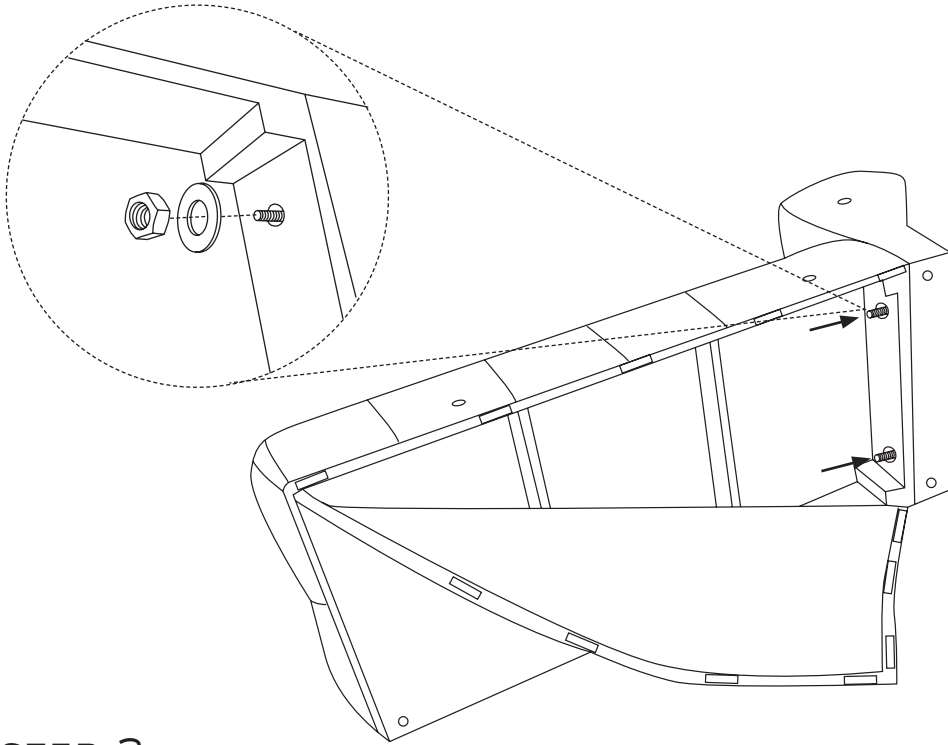
LIMITED WARRANTY

We guarantee our upholstered furniture against defects in construction for a period of one (1) year. When a structural defect is brought to our attention, we will repair or replace it at our option at no charge to the customer (includes parts and labor, not transportation costs). Fabric wearability for upholstered furniture is not covered by the warranty. Vacuum for regular cleaning.

PLEASE DISPOSE OF PLASTIC BAG(S) AND CARTON(S) RESPONSIBLY.

CHAISE ASSEMBLY

STEP 1



1.1

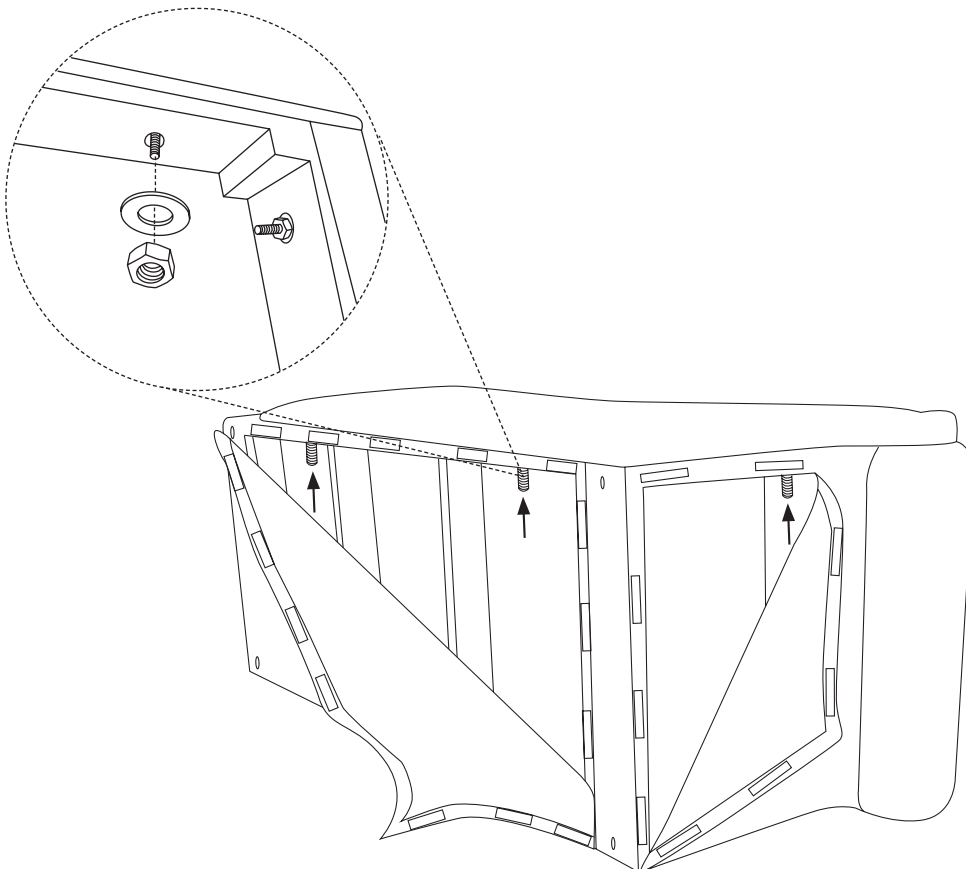
Peel back velcro of (A) seat and fit it onto bolts of (C) arm, making sure the sides and bottoms are flush.

1.2

Attach (A) seat to (C) arm using (H1) washers and (H2) nuts.

Tighten with wrench.

STEP 2



2.1

Peel back velcro of (C) arm.

Carefully place bolts of (B) back into holes on (A) seat and (C) arm, making sure the sides and bottoms of all are flush.

2.2

Attach (B) back to (A) seat, (C) arm using (H1) washers and (H2) nuts.

Tighten with wrench.

CHAISE ASSEMBLY

STEP 3

3.1

Remove plastic caps from (D) legs, and attach to (A) seat and (C) arm using one (H1) washer per leg.

Once legs are secure, turn the chaise upright to check if level.

If the item is not level, unscrew the shortest leg and add an additional (H1) washer.

Repeat as needed.

Please note: you may have extra (H1) washers depending on how many you use to level the chaise.

