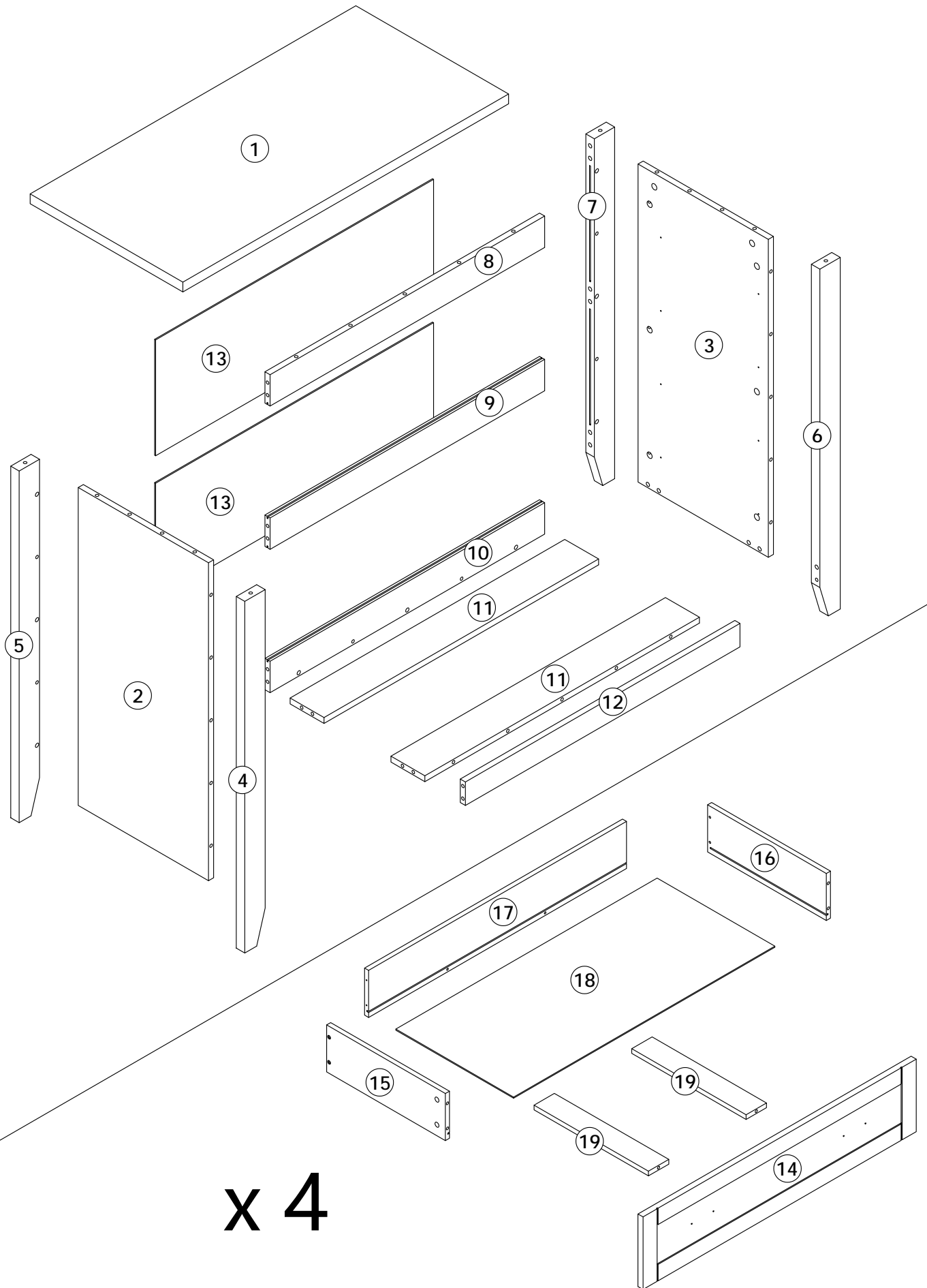




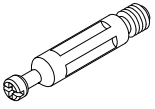
Parts List



x 4

Hardware

A x 47sets

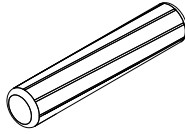


A1



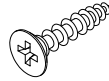
A2

B x 24pcs



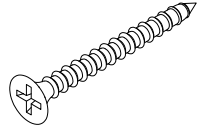
Φ8x40

C x 44pcs



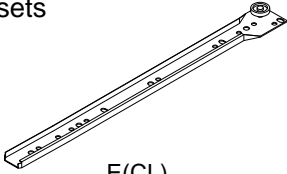
Φ3.5x14

D x 24pcs

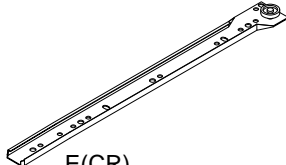


Φ3.5x35

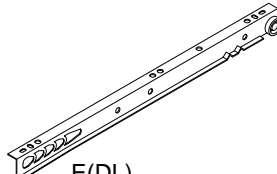
E x 4sets



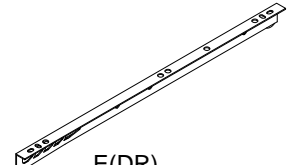
E(CL)



E(CR)

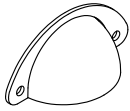


E(DL)



E(DR)

F x 8pcs



G x 24sets



G1

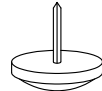


G2

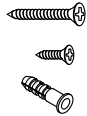
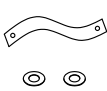
H x 12pcs



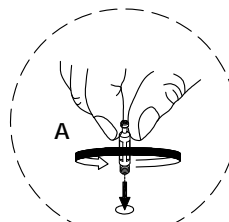
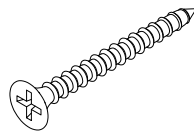
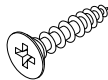
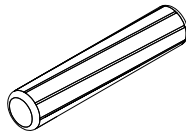
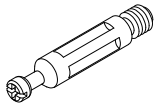
J x 4pcs



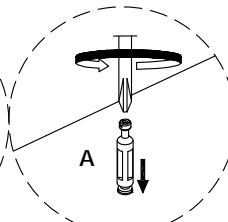
K x 2sets



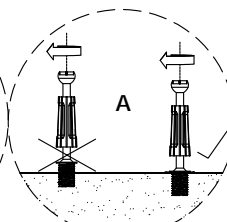
R



Step 1

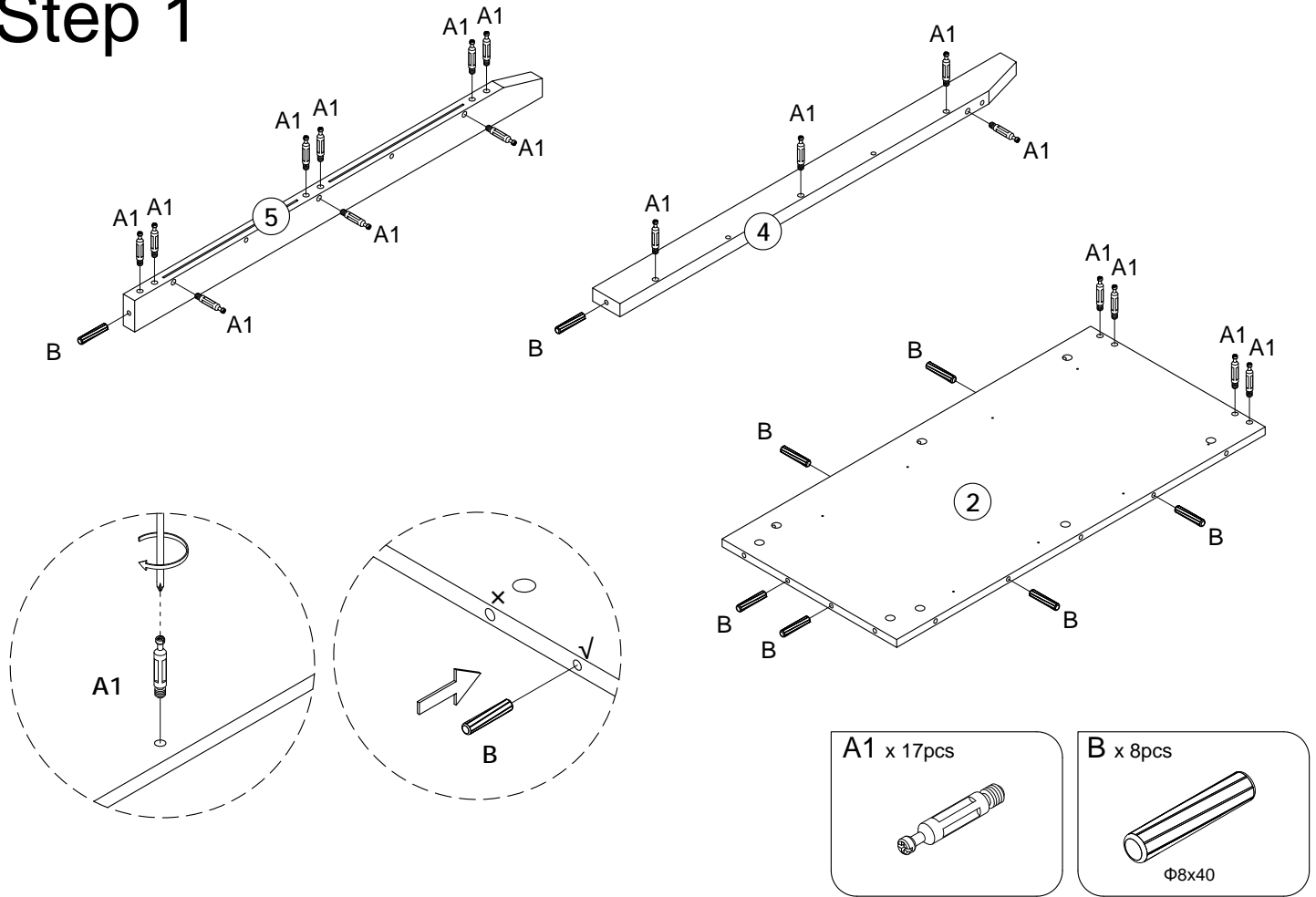


Step 2

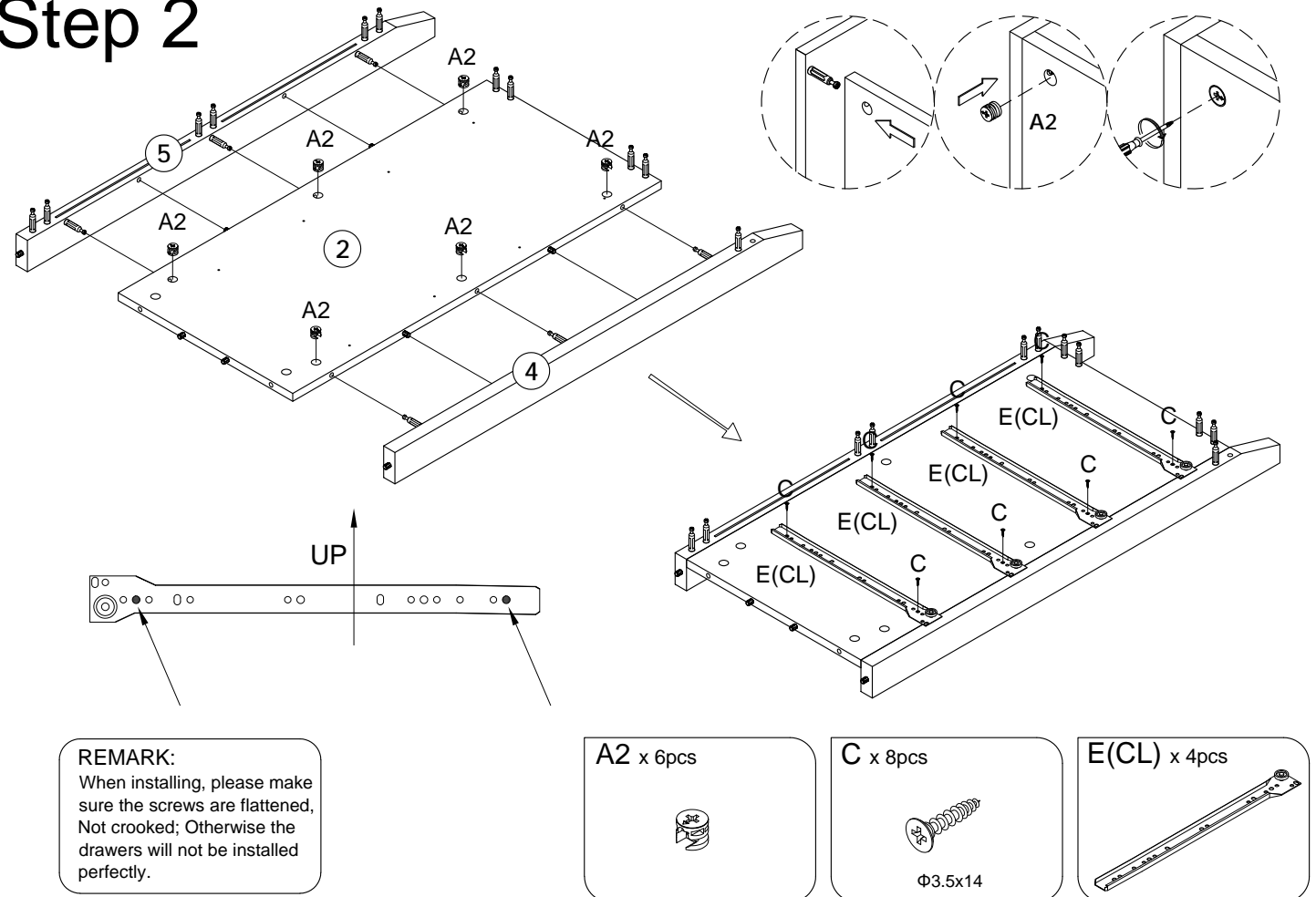


After

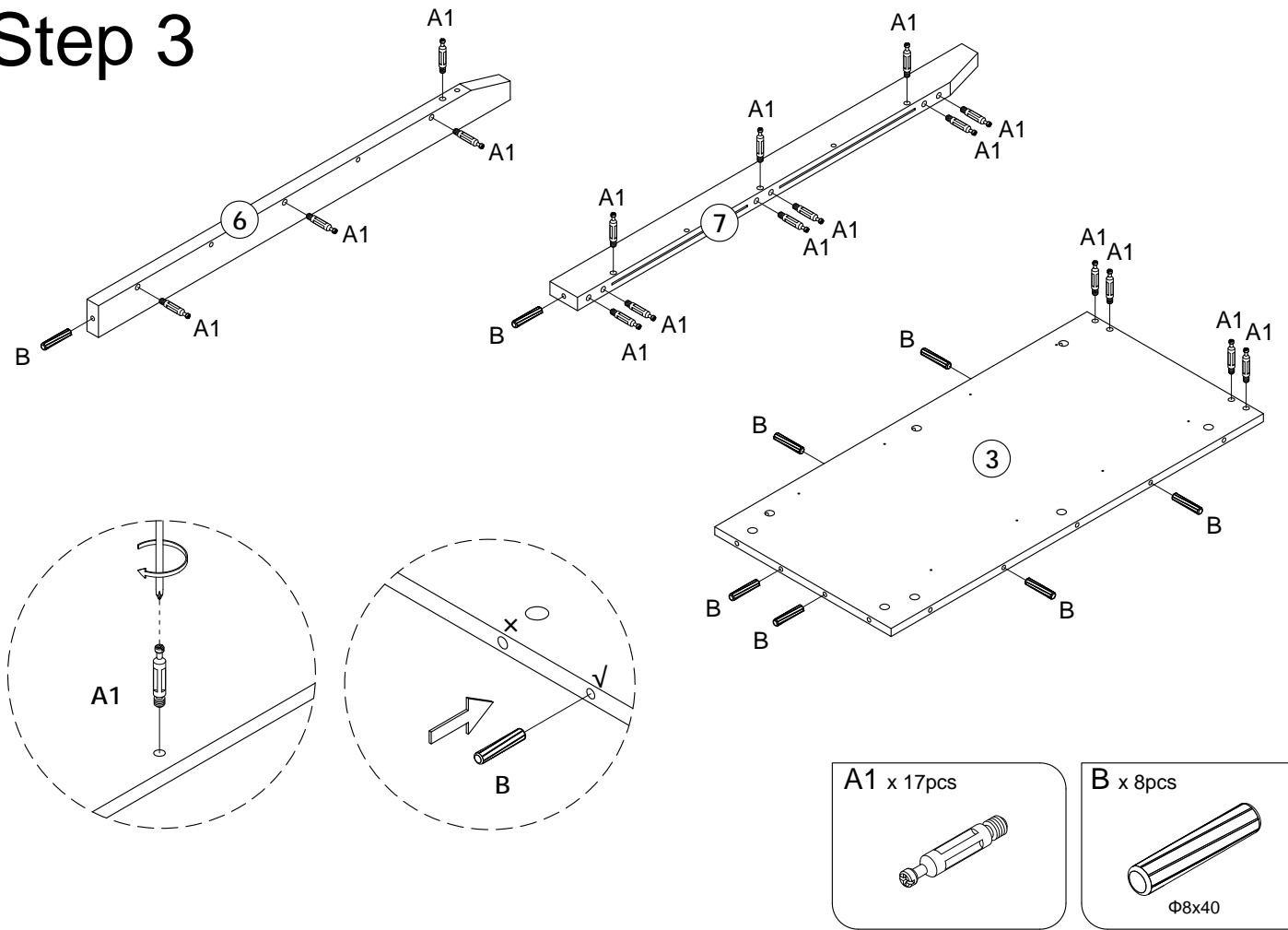
Step 1



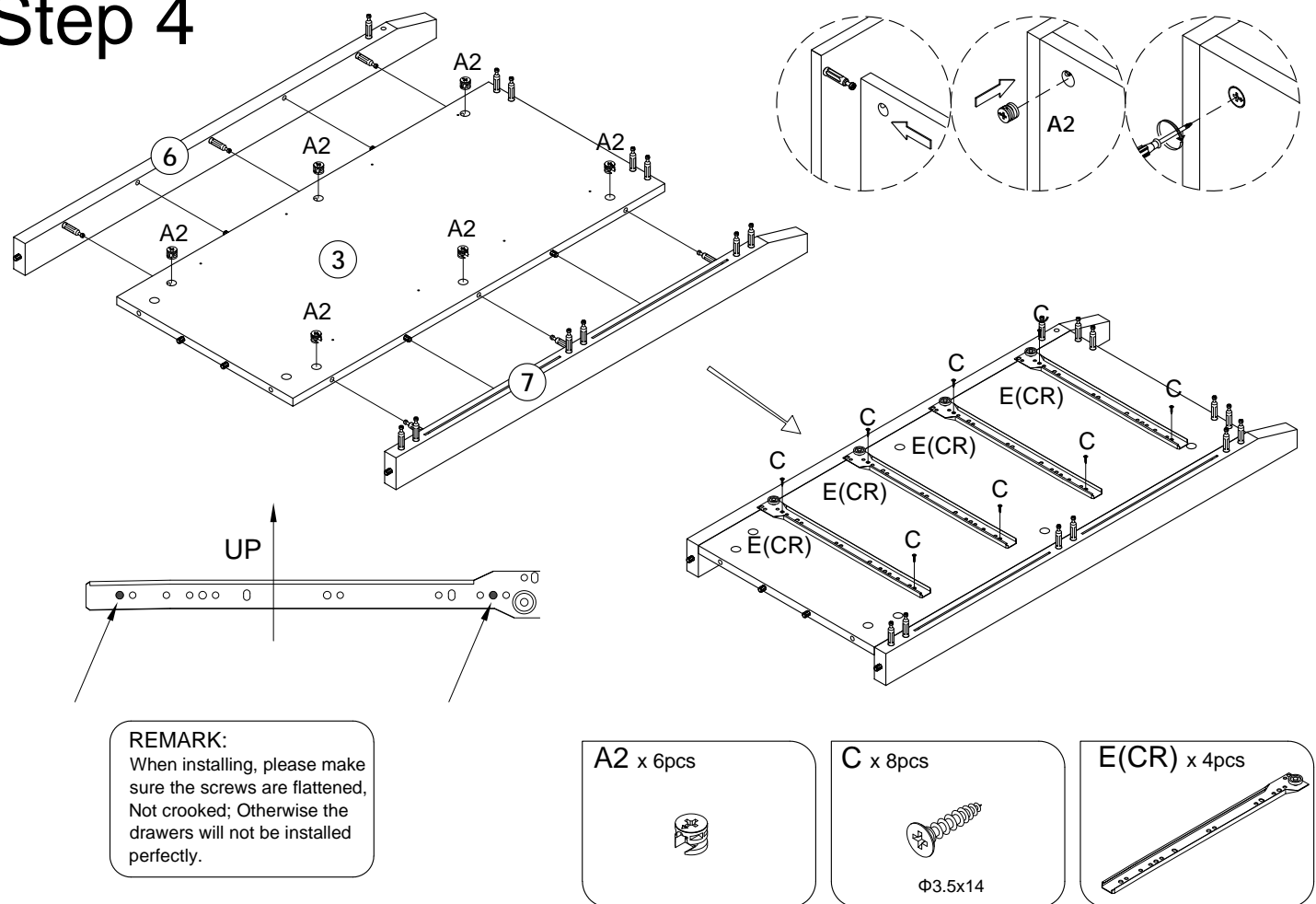
Step 2



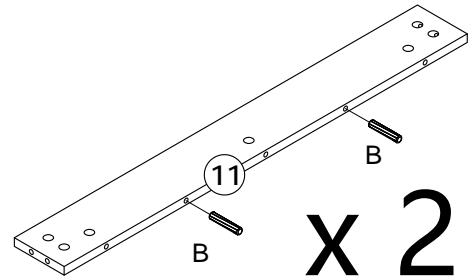
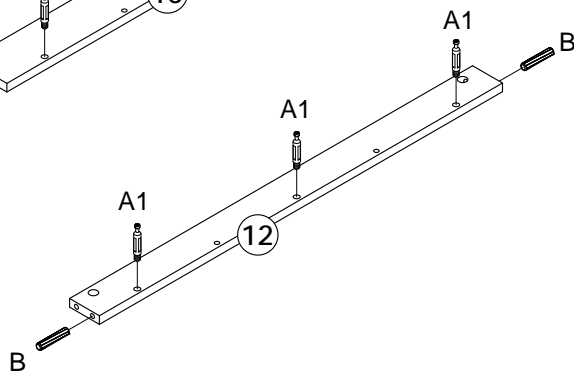
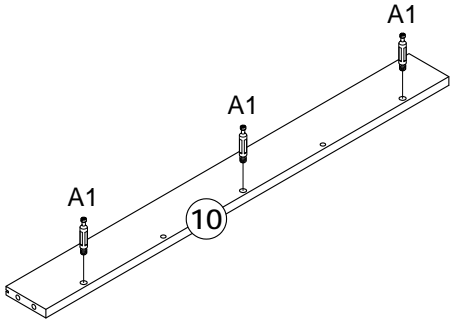
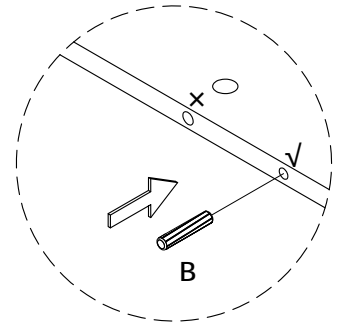
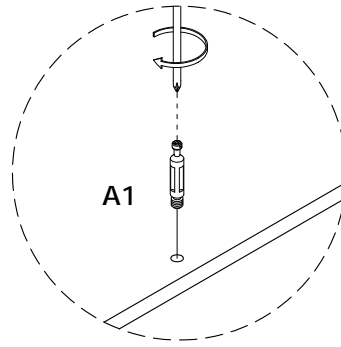
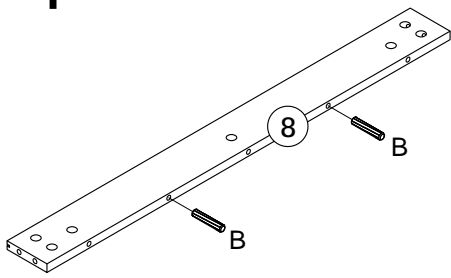
Step 3



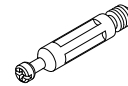
Step 4



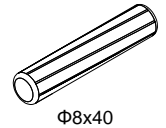
Step 5



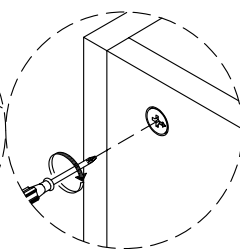
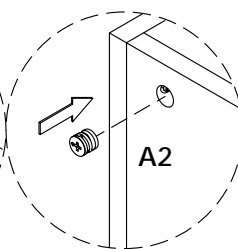
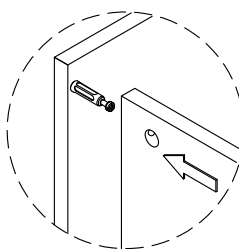
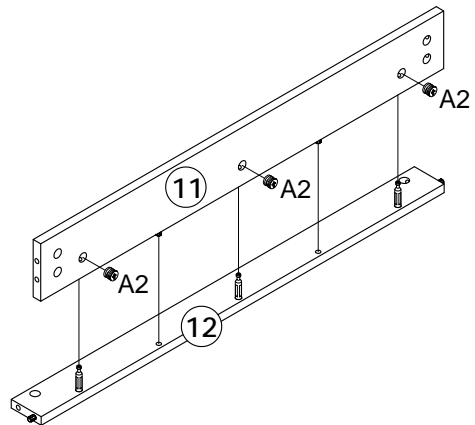
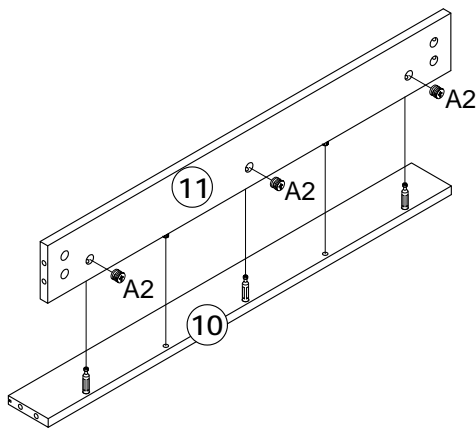
A1 x 6pcs



B x 8pcs



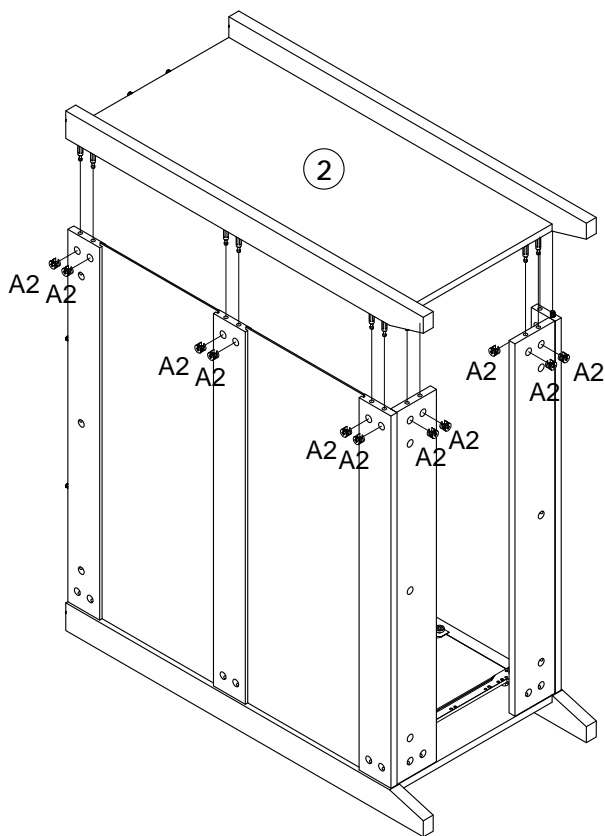
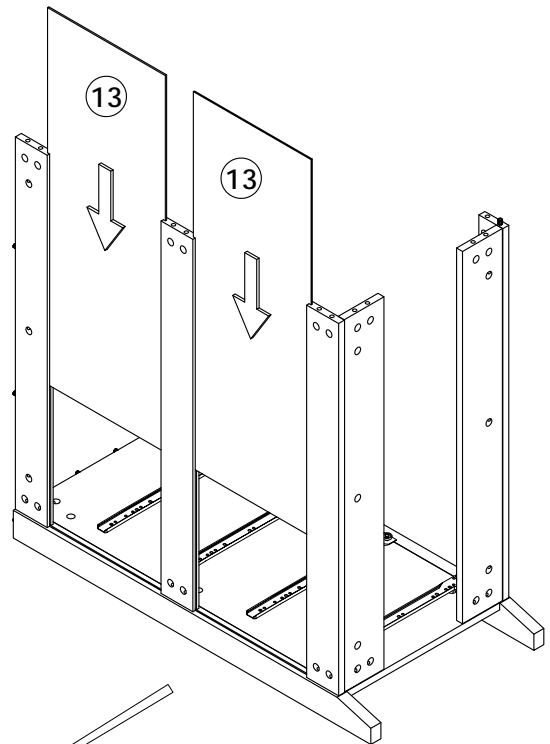
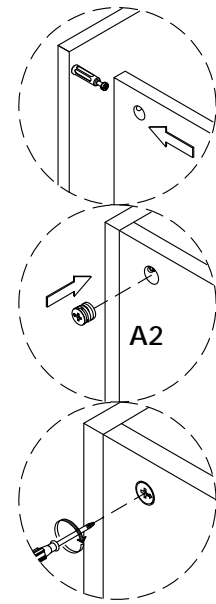
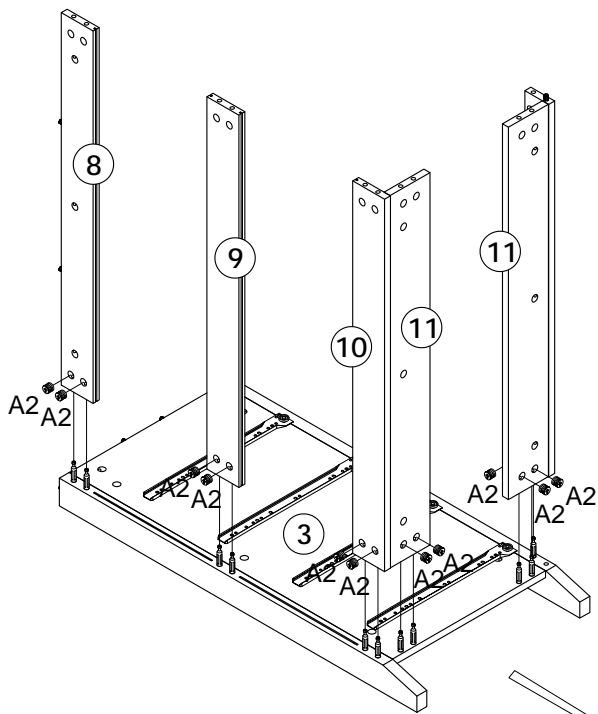
Step 6



A2 x 6pcs



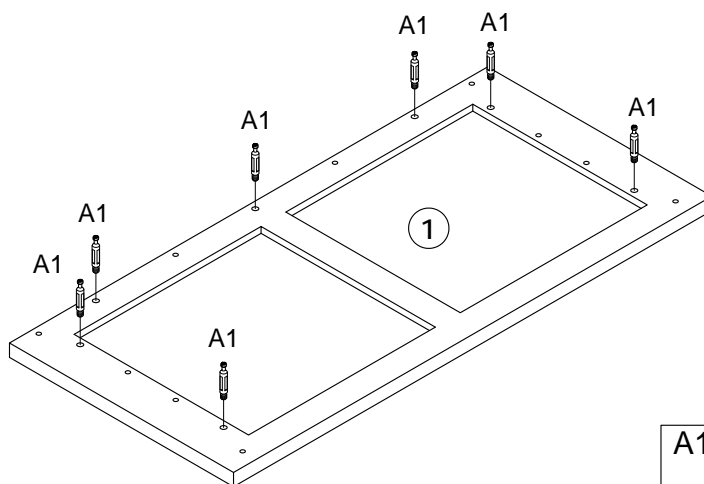
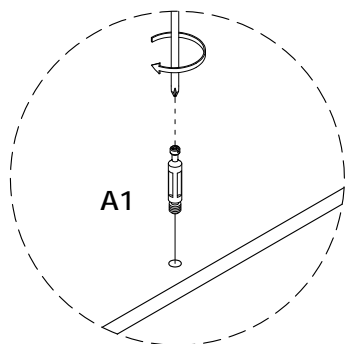
Step 7



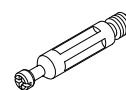
A2 x 22pcs



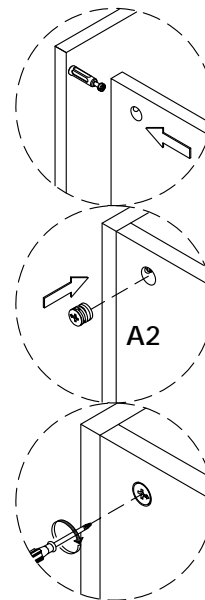
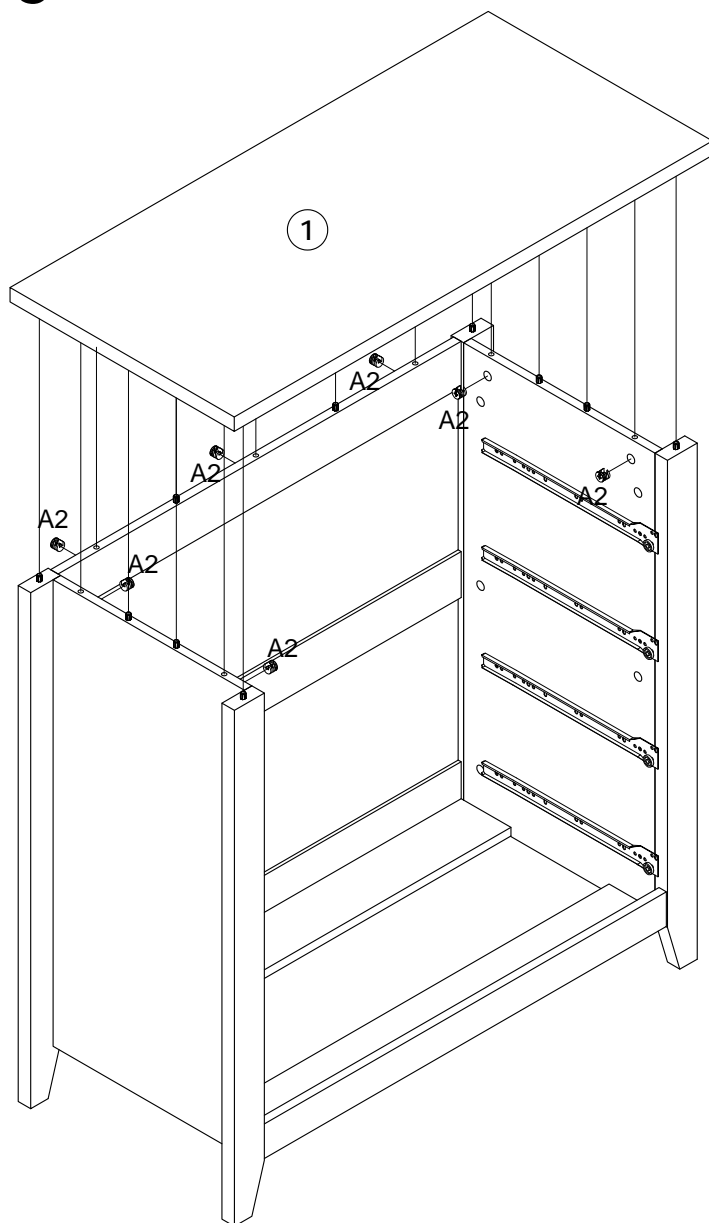
Step 8



A1 x 7pcs



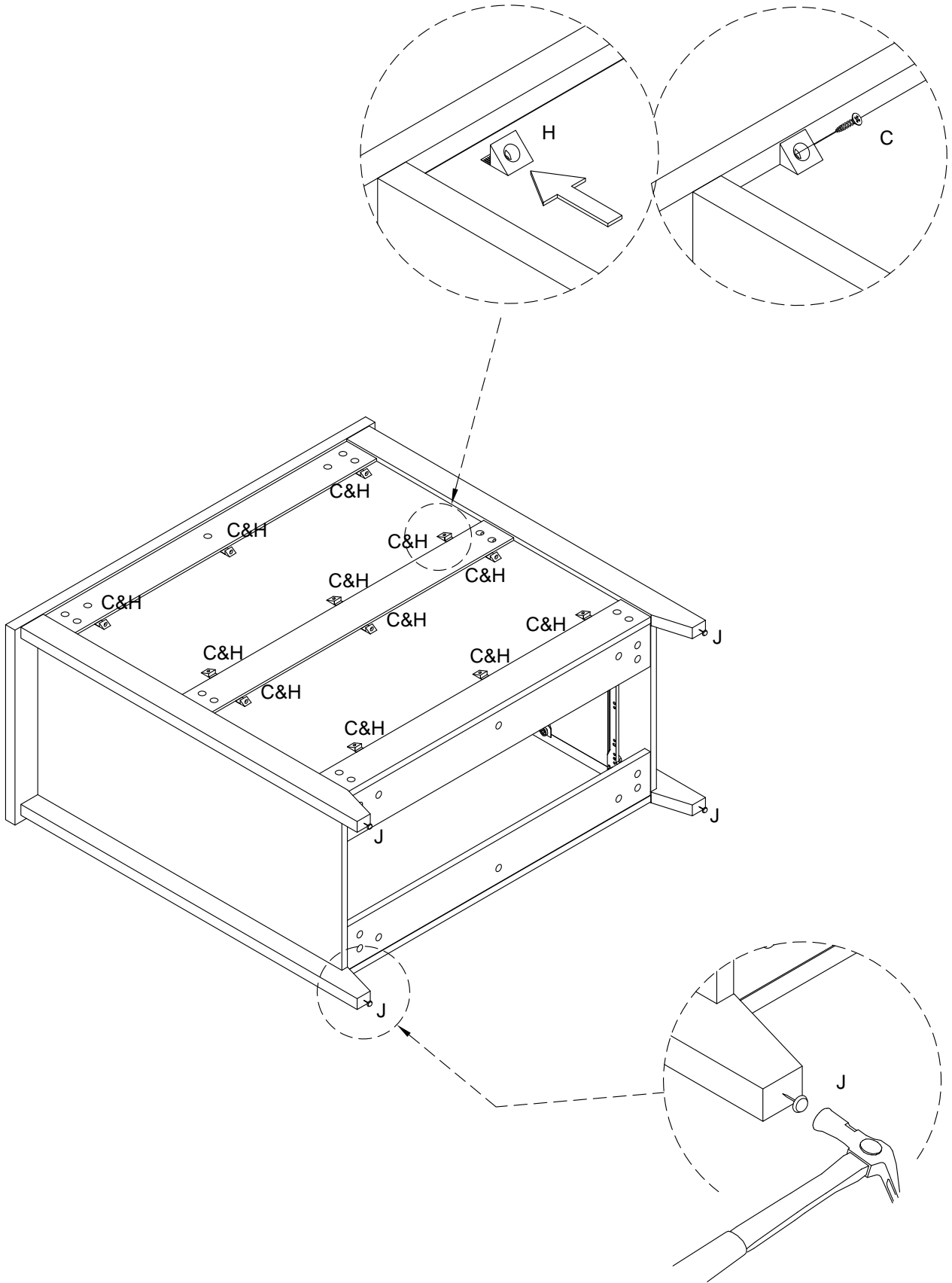
Step 9



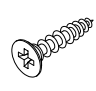
A2 x 7pcs



Step 10

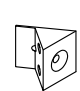


C x 12pcs




Φ3.5x14

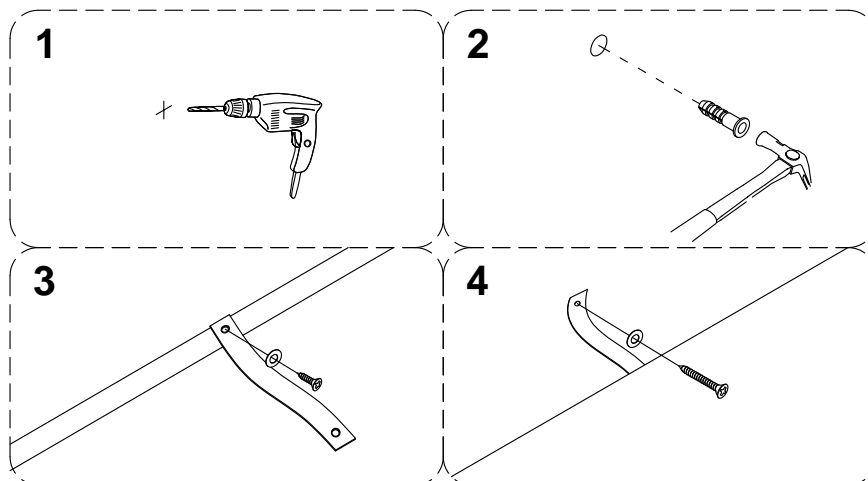
H x 12pcs



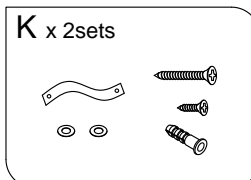
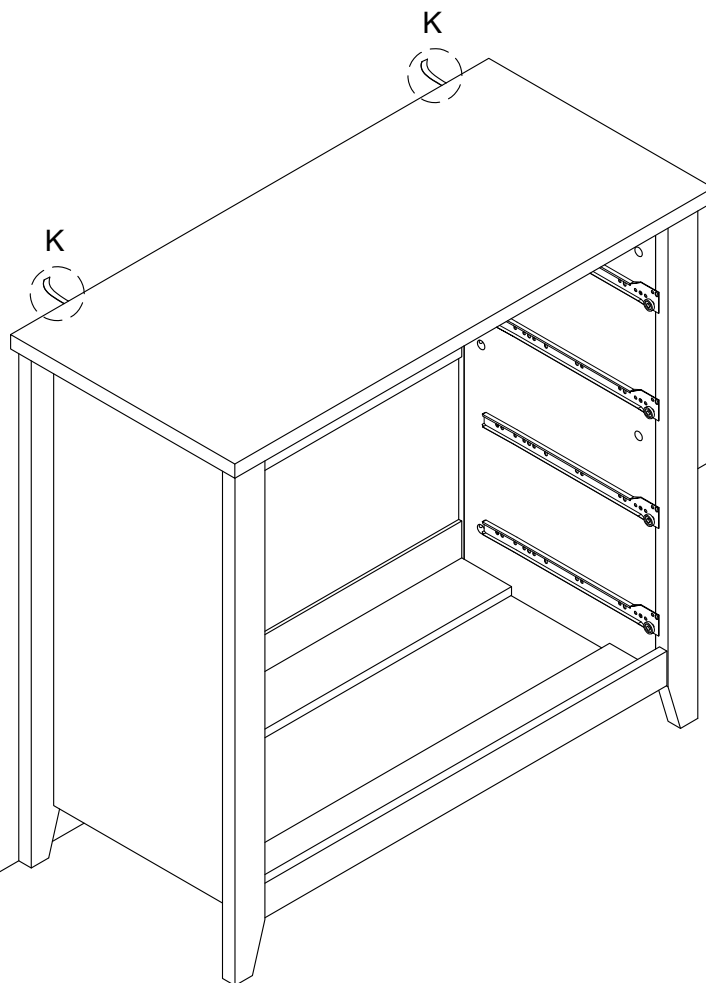
J x 4pcs



Step 11

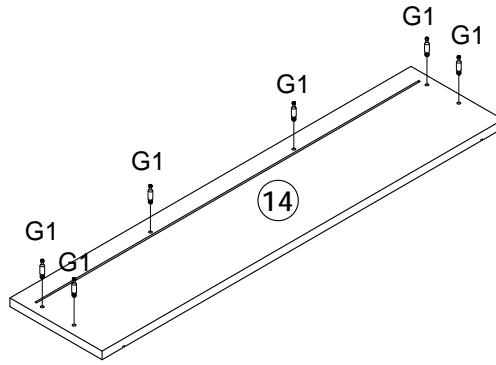
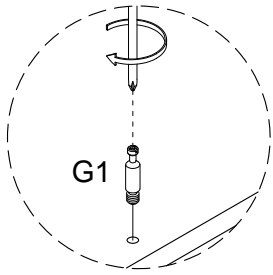


WALL



Step 12

x 4

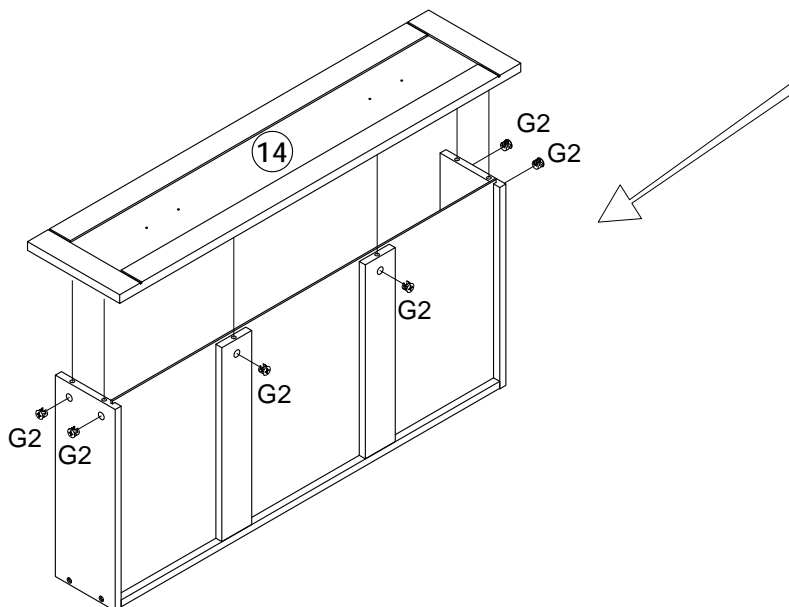
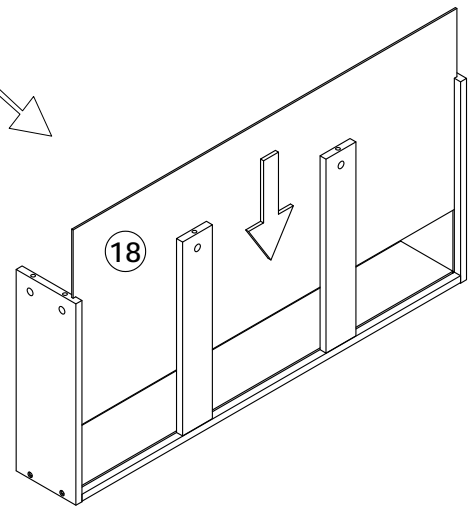
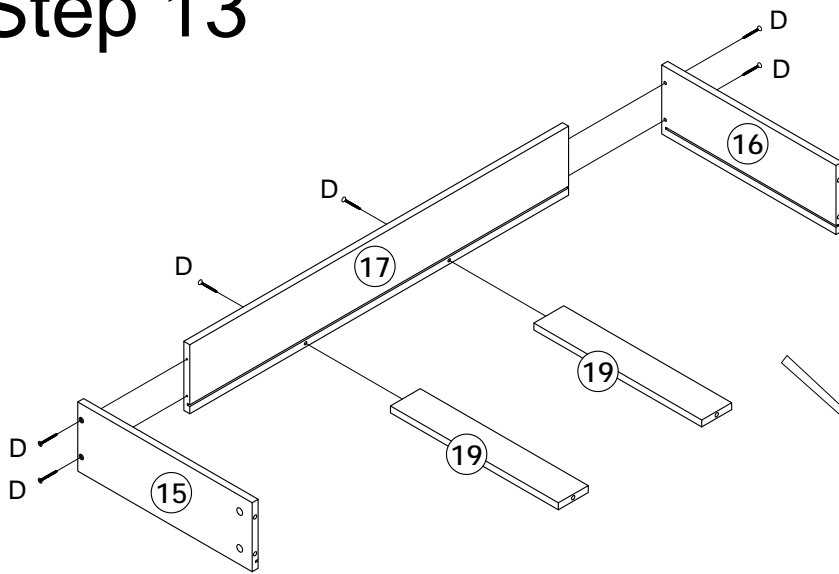


G1 x 24pcs



Step 13

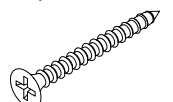
x 4



G2 x 24pcs

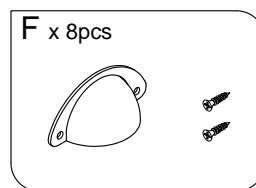
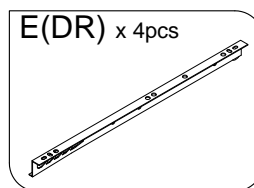
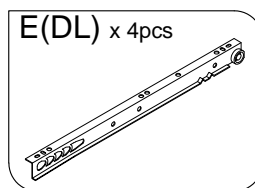
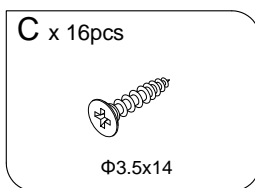
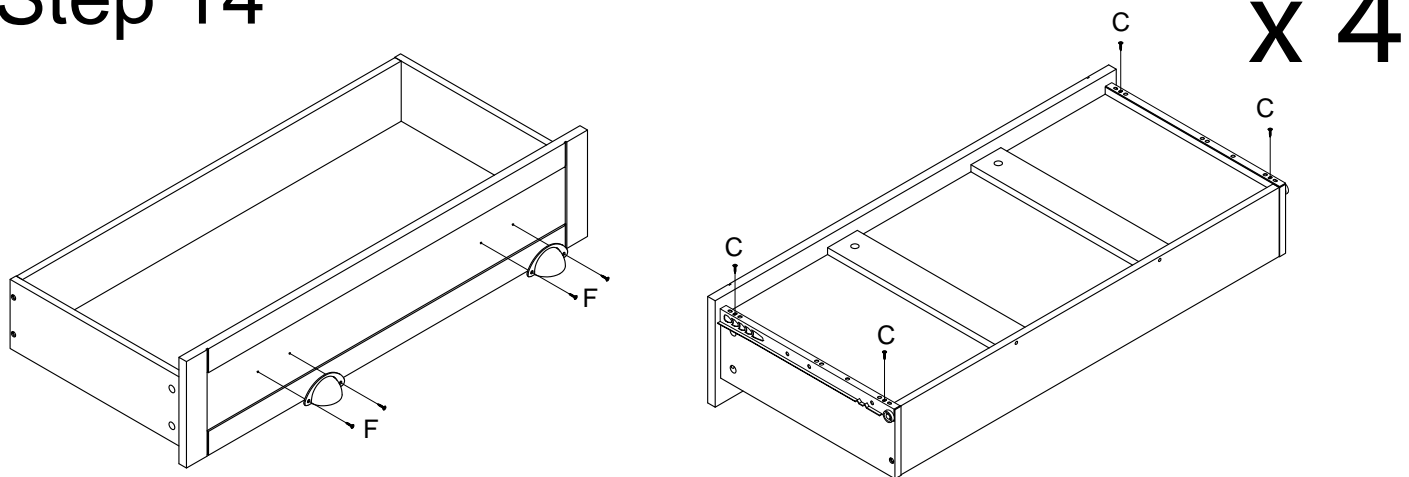


D x 24pcs



Φ3.5x35

Step 14



Step 15

