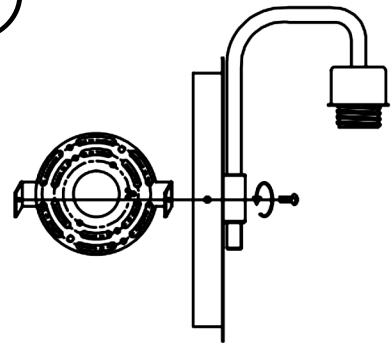


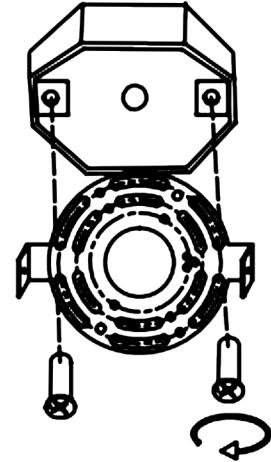
Installation Method 1 (Installation without Hole)

①



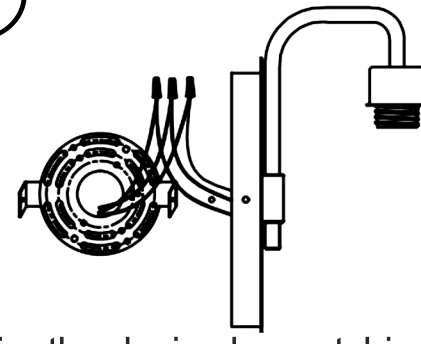
1. Loosen the two screws on the hanging board and remove the hanging board.

②



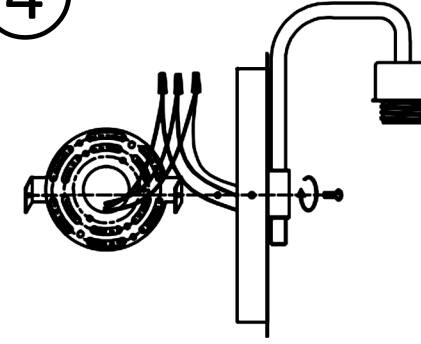
2. Use 2 long screws to secure the hanging board to the junction box.

③



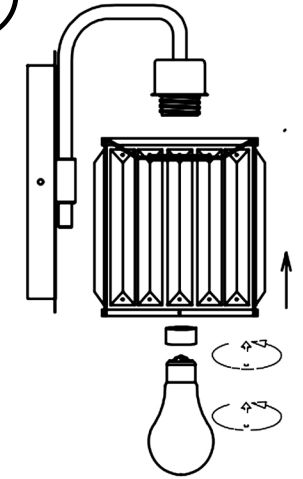
3. Wire the device by matching the colors of the wires. A total of 3 wires: Live wire, Neutral wire, and Ground wire. Cover the connection by tightening the wiring cap. To avoid electric shock, please do not let the copper wire expose.

④



4. Use two screws to attach the lamp body to the hanging board, then use nuts to tighten it upward.

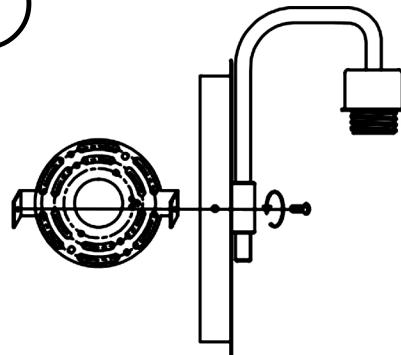
⑤



5. ① Attach the lampshade to the lamp body using the outer ring; ② Install the E26 bulbs.

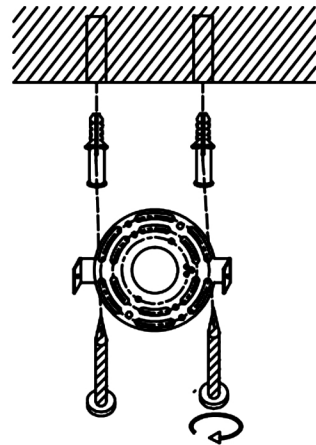
Installation Method 2 (Installation with Holes)

①



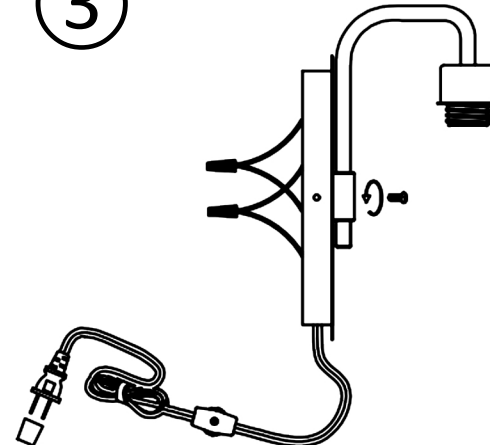
1. Loosen the two screws on the hanging board and remove the hanging board.

②



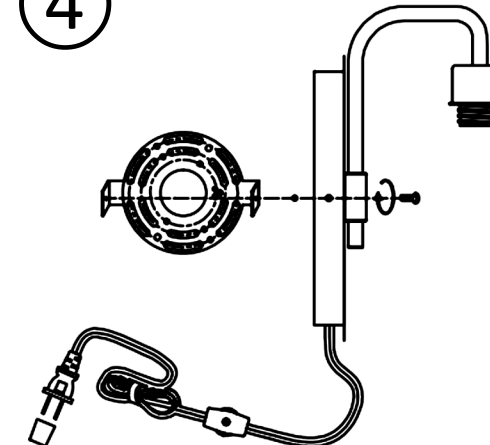
2. ① Drill holes in the wall and press in the plastic expansion tube; ② Use self-tapping screws to screw on the hanging board.

③



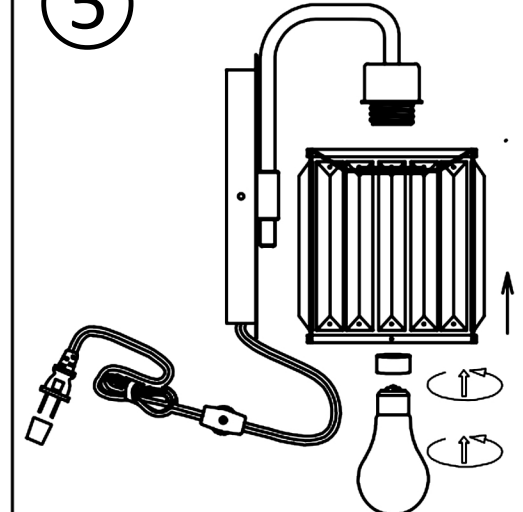
3. ① Pass the plug wire through the junction box; ② Wire the device by matching the colors of the wires. A total of 3 wires: Live wire, Neutral wire, and Ground wire. Cover the connection by tightening the wiring cap. To avoid electric shock, please do not let the copper wire expose.

④



4. Use two screws to attach the lamp body to the hanging board, then use nuts to tighten it upward.

⑤



5. ① Attach the lampshade to the lamp body using the outer ring; ② Install the E26 bulbs.