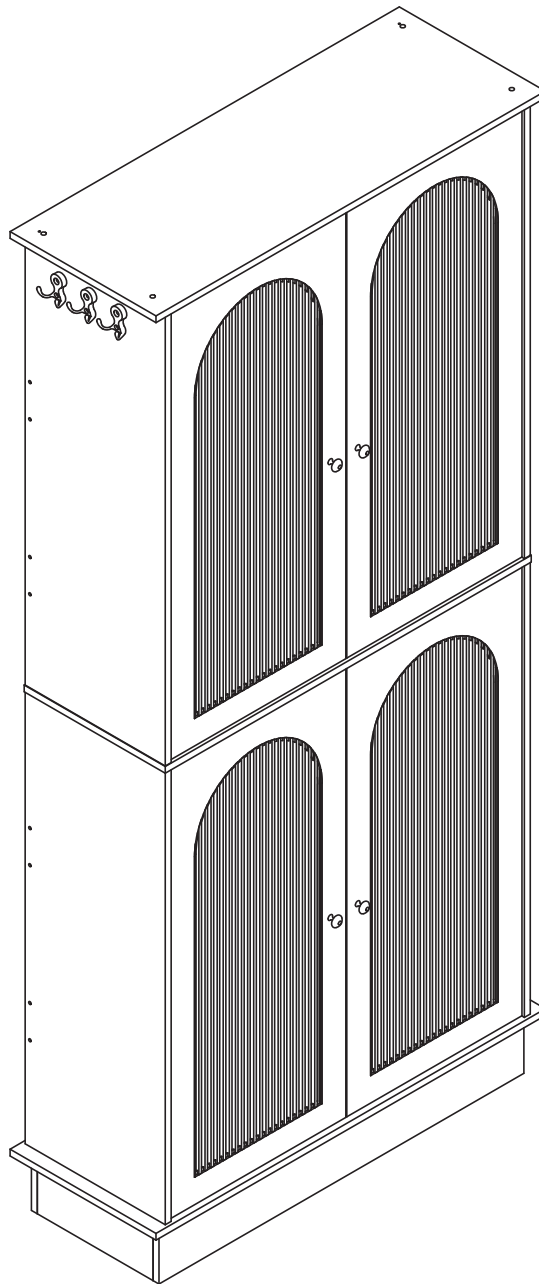


ASSEMBLY INSTRUCTION

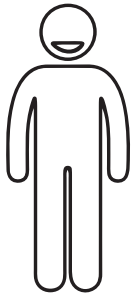
WARNING

Serious or fatal injury may occur from unexpected assembly or use. Please read this instructions carefully before starting assembly.

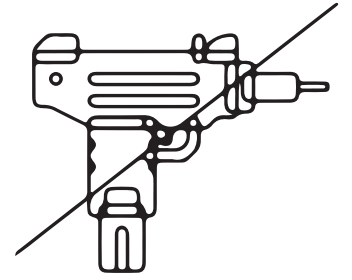
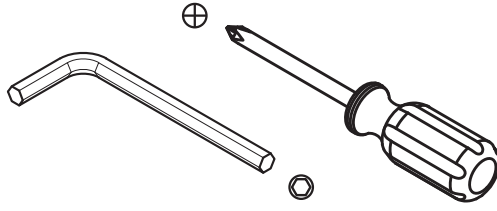
1. Ensure that all parts and hardware are available. Follow each step carefully to ensure the proper assembly of this product.
2. During the assembly process, keep all parts away from babies or children.
3. Two people are recommended for ease in the assembly process of this product.
4. Place the heaviest items on the lowest shelf to reduce the risk of tip-over.
5. Never allow children to climb or bang on frames, bases or shelves.
6. Always securely fix this product to the wall. Make sure the wall area to be drilled is free from hidden electrical wires, water and gas pipes.



If you need any help during assembly, please contact us
Sharing a video and a brief description of where you're stuck will help us assist you better.



× 2



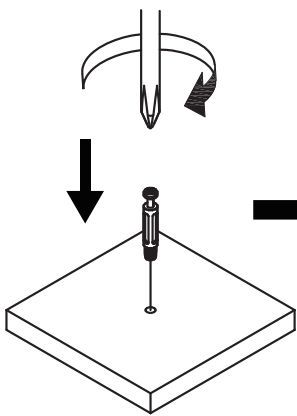
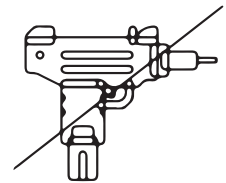
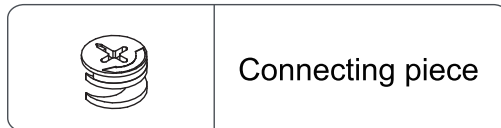
Before You Begin

Two people are recommended for the assembly.

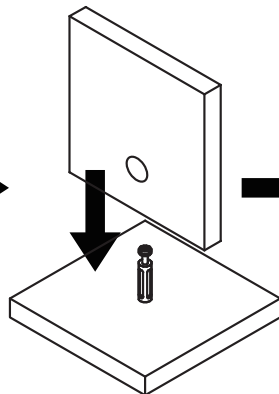
Use the included tools.

If using a power tool, use low power and torque.

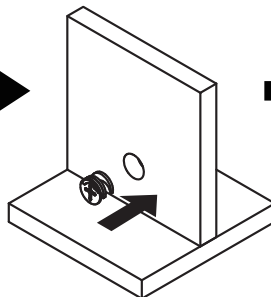
Installation of Eccentric Unit



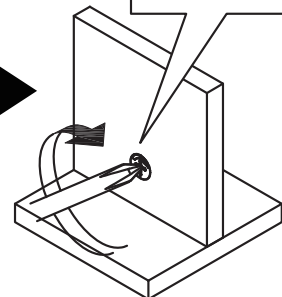
1



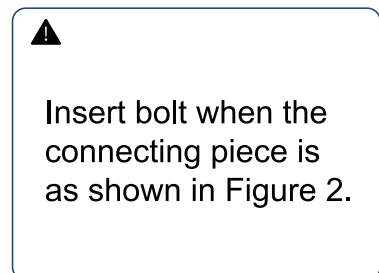
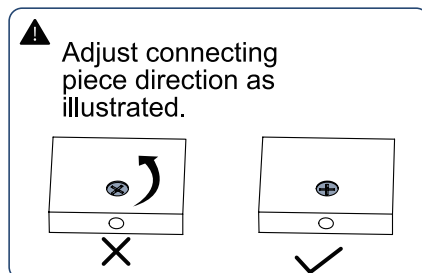
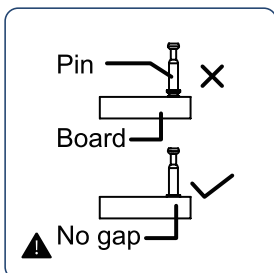
2

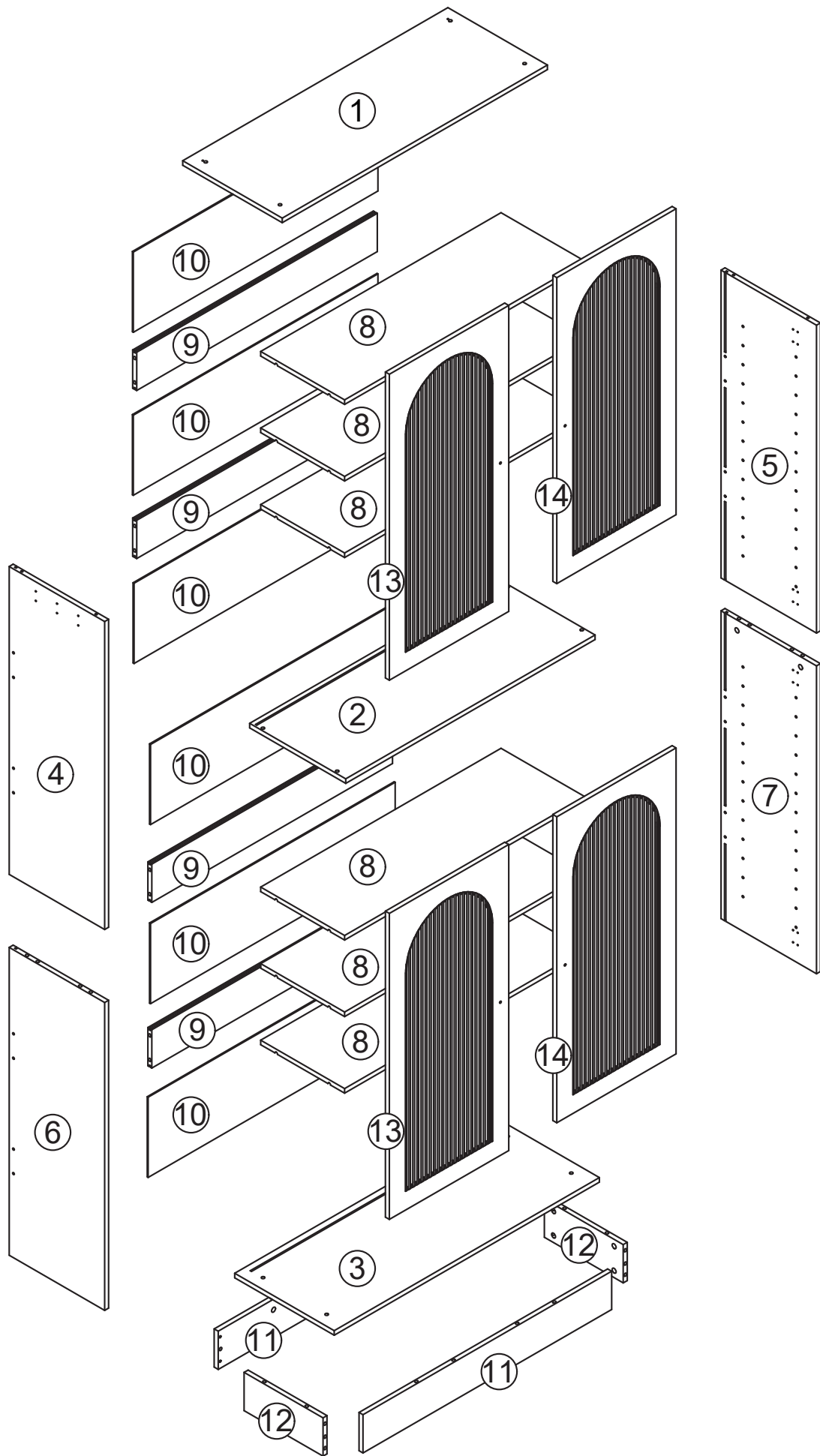


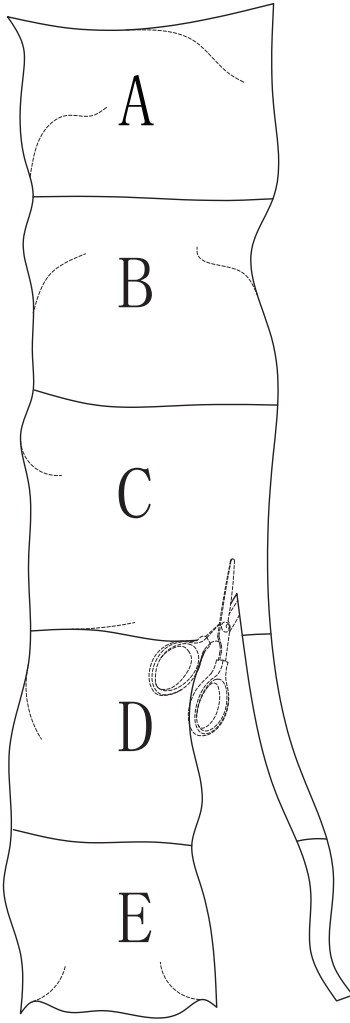
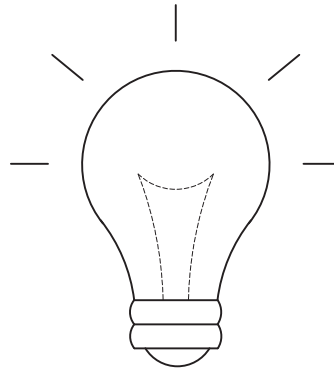
3



4









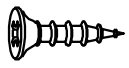
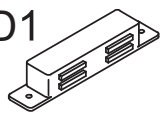



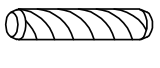
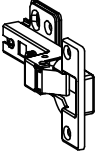





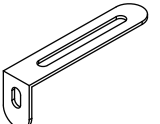

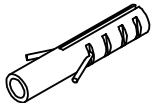

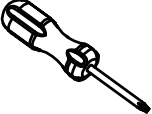

friendly reminder

To prevent confusion during installation, please do not cut open all hardware bags at once.
Some screws may look similar, so before starting assembly:

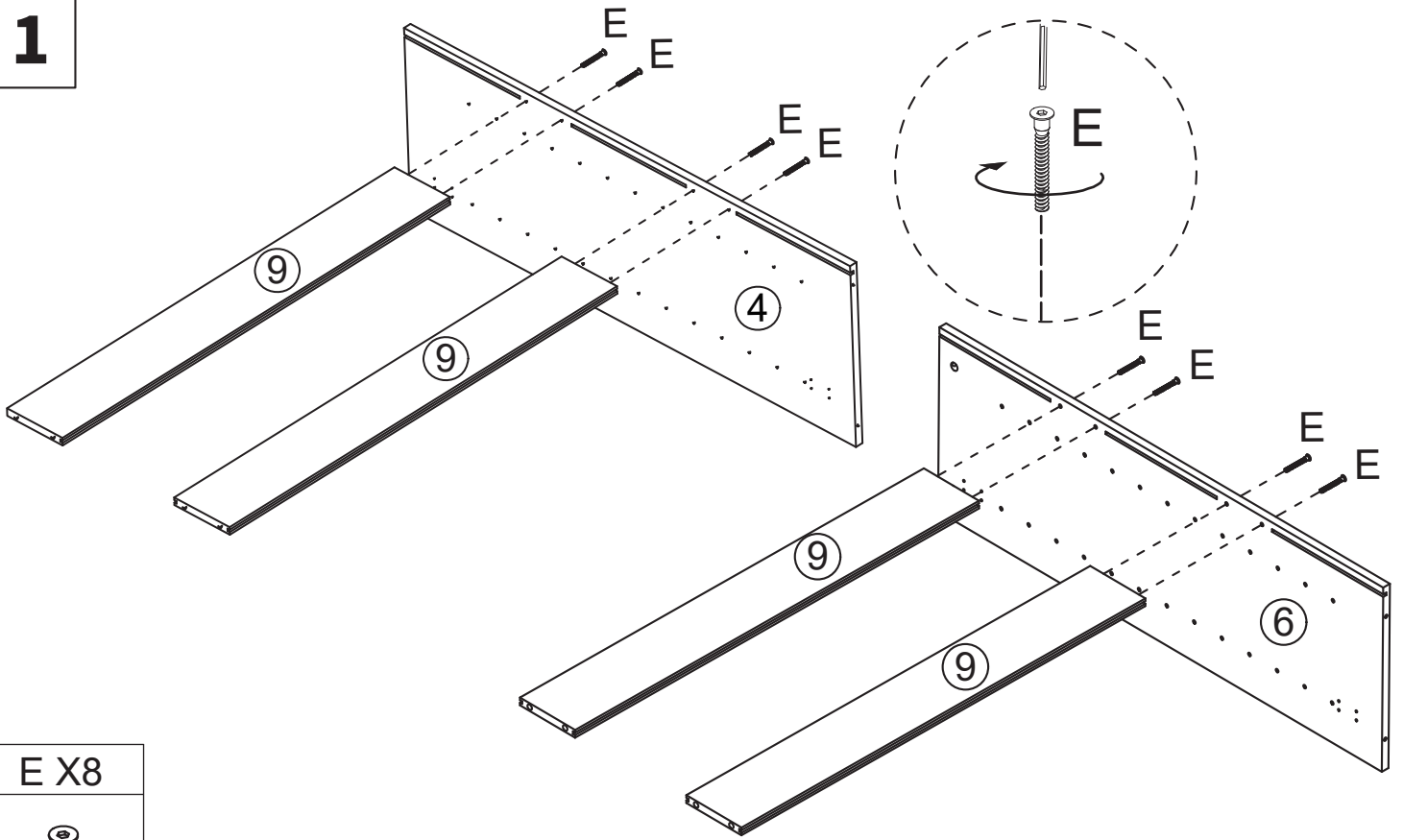
- Check each hardware bag and confirm that the type and quantity match the parts list in the manual.
- Only open each bag when it is needed for that specific installation step.

This will help keep the hardware organized and ensure a smoother installation process.

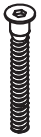
Package Contents: Hardware *Please count and verify all parts before assembly.*

A X20+2	B X20+2	C X78+2	D X2		E X28+2	F X12+2	
 M6x27.5mm	 Φ12mm	 M3.5x12mm	 D1	 D2	 M3x12mm	 M6.3x40mm	 Φ8x40mm
G X8	H X4	I X4+2	J X24+2	K X6	L X12+1	M X2	
		 M4x18mm			 14x14x9mm		
N X2+1	O X2+1	P X22+2					
 M4x40mm		 Φ20					

1

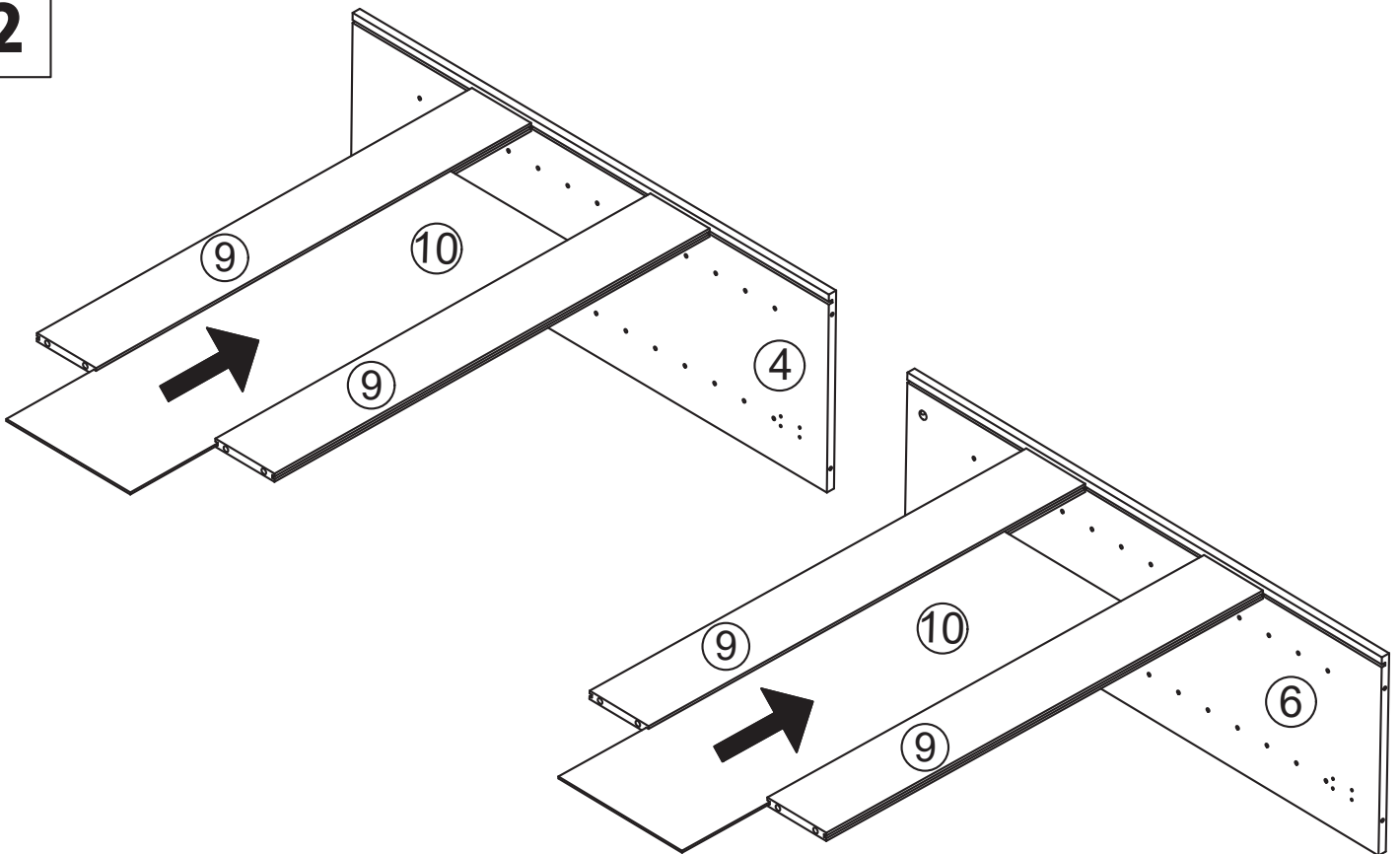


E X8

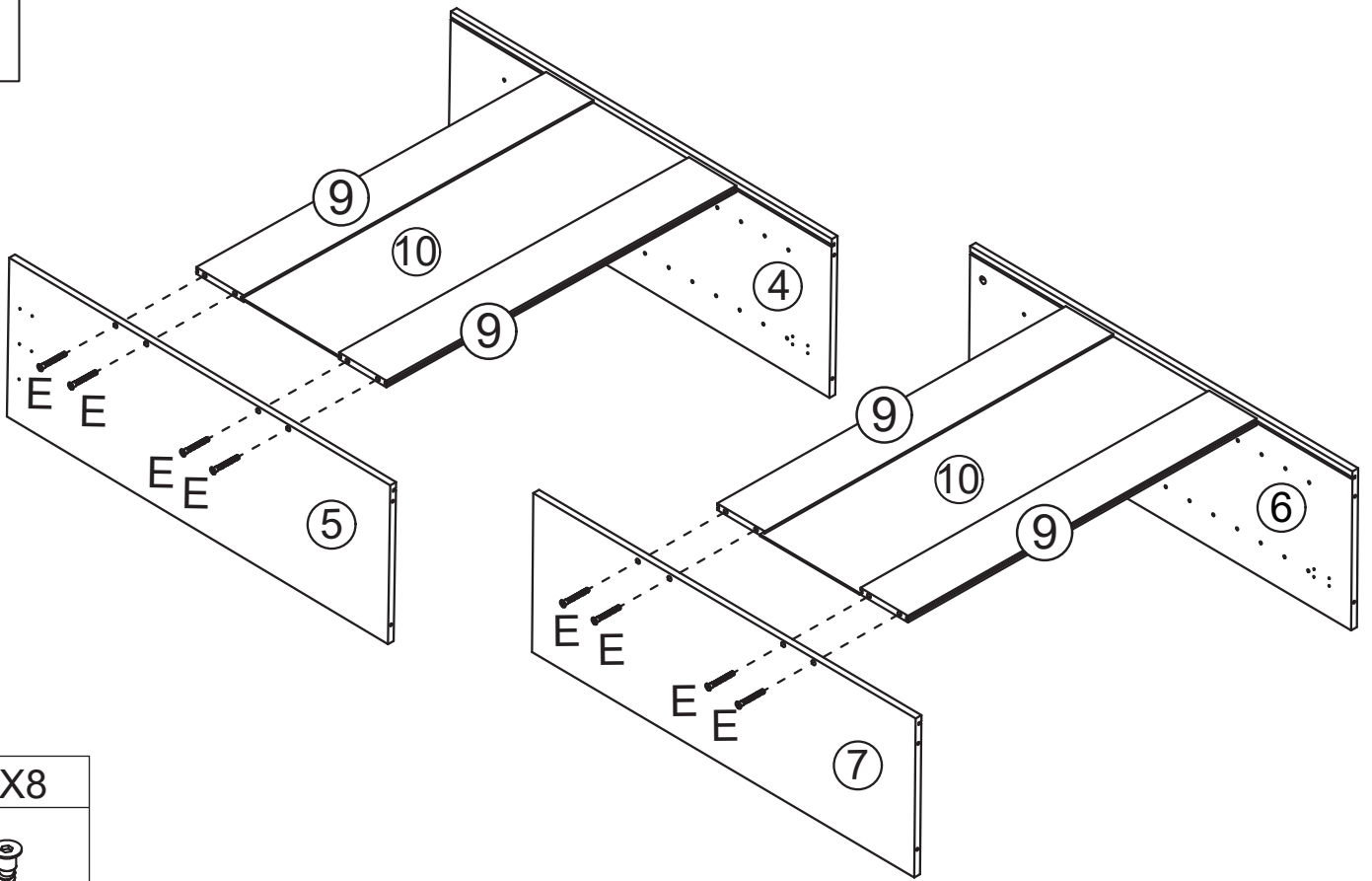


Twist (E) through (4) and (6) into (9).

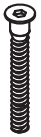
2



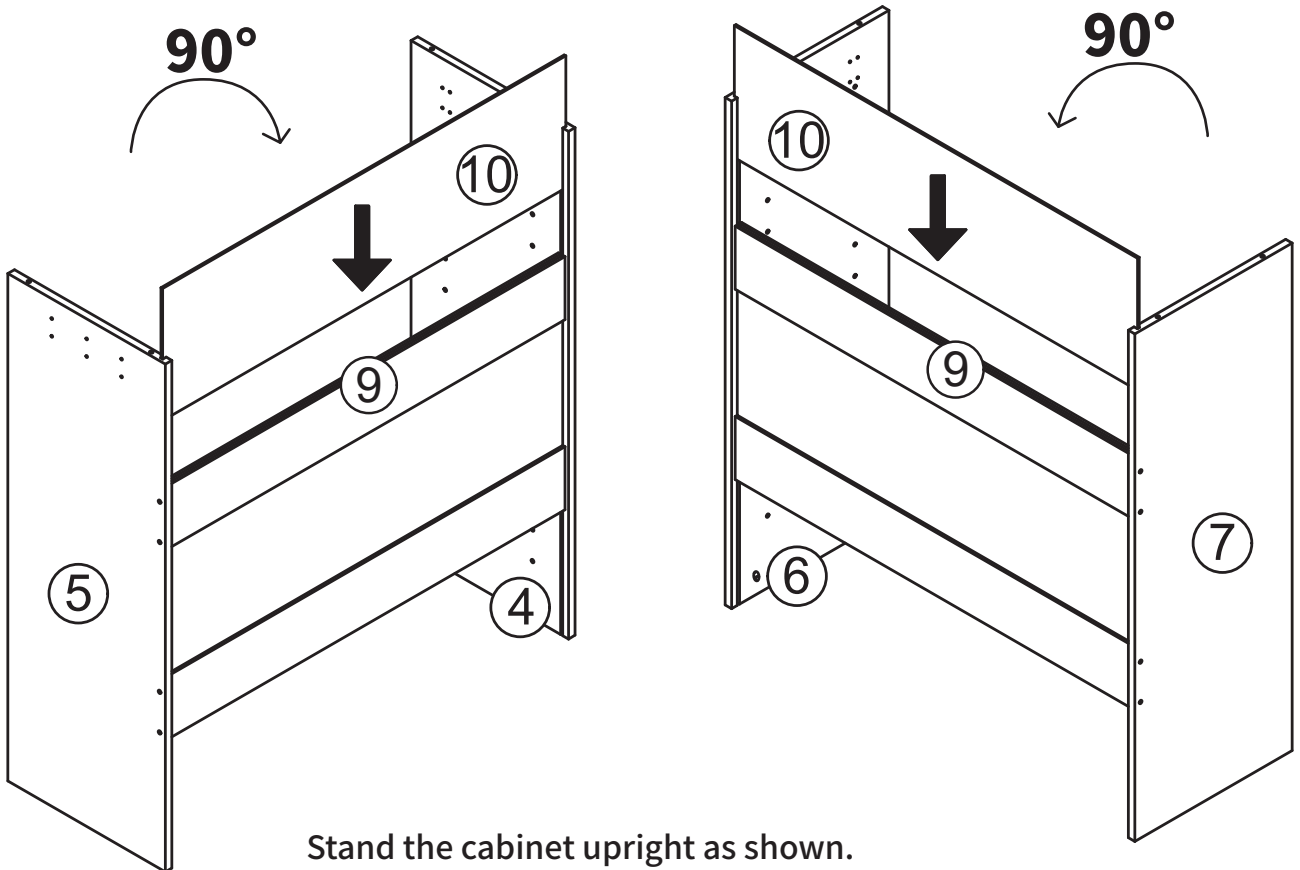
Insert (10) into the grooves in (4) (6) (9).

3

E X8



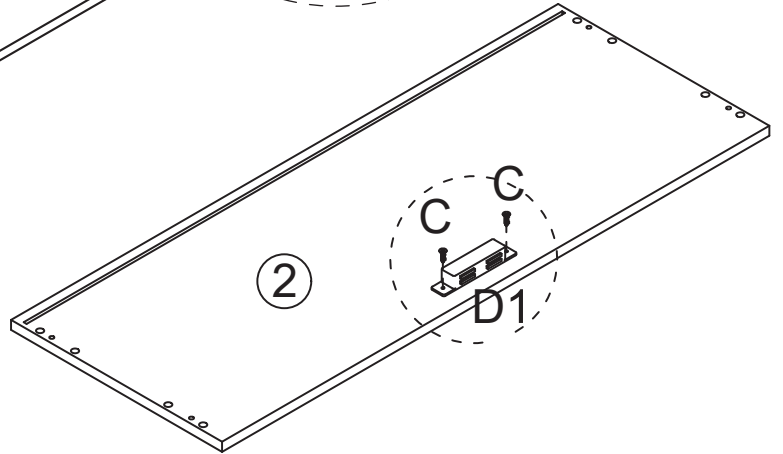
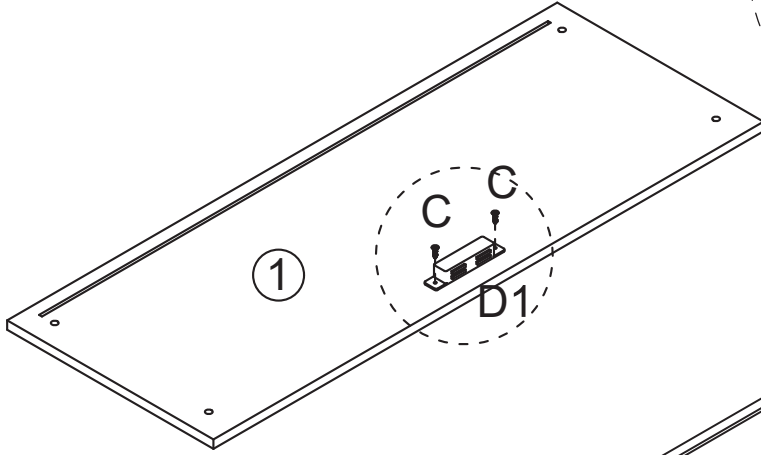
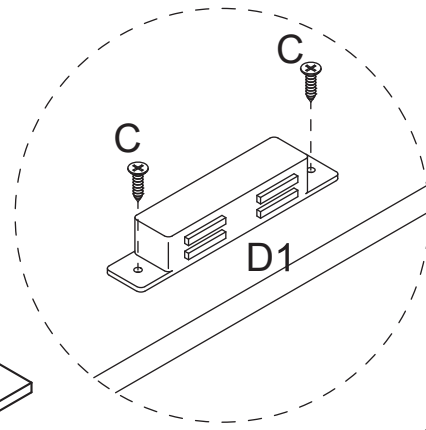
Twist (E) through (5) (7) into (9).
Make sure (10) fits into the grooves in (5) (7).

4

Stand the cabinet upright as shown.
Insert (10) into the grooves in (4) (5) (9).
Insert (10) into the grooves in (6) (7) (9).

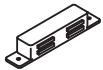
5

Note: (D) includes (D1) and (D2).
Secure (D1) to (1) (2) first.

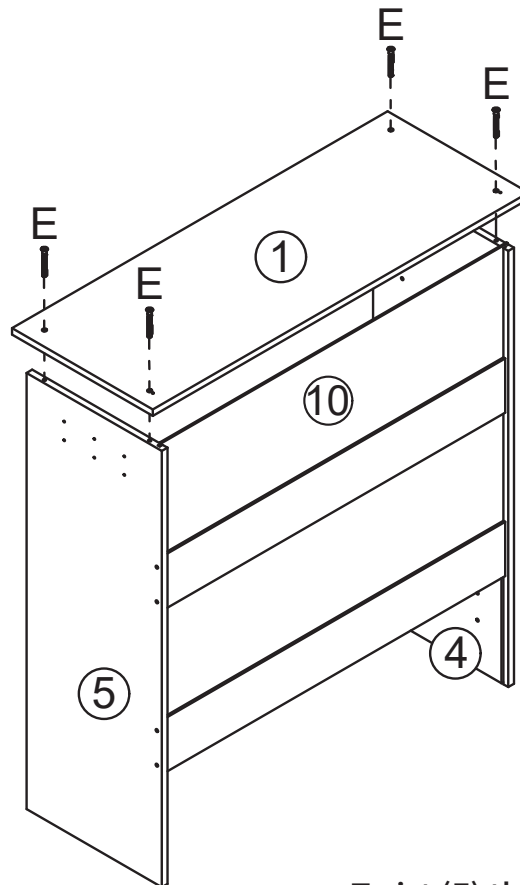


C X4

D X2



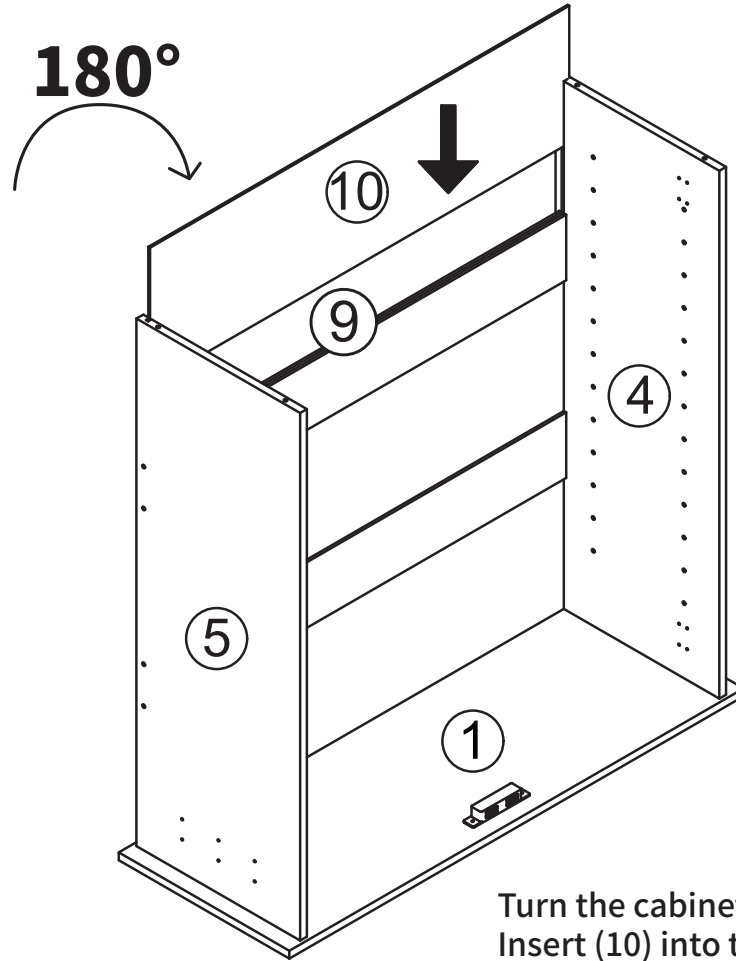
Twist (C) through (D1) into (1) (2).

6

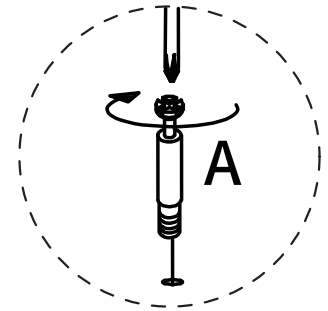
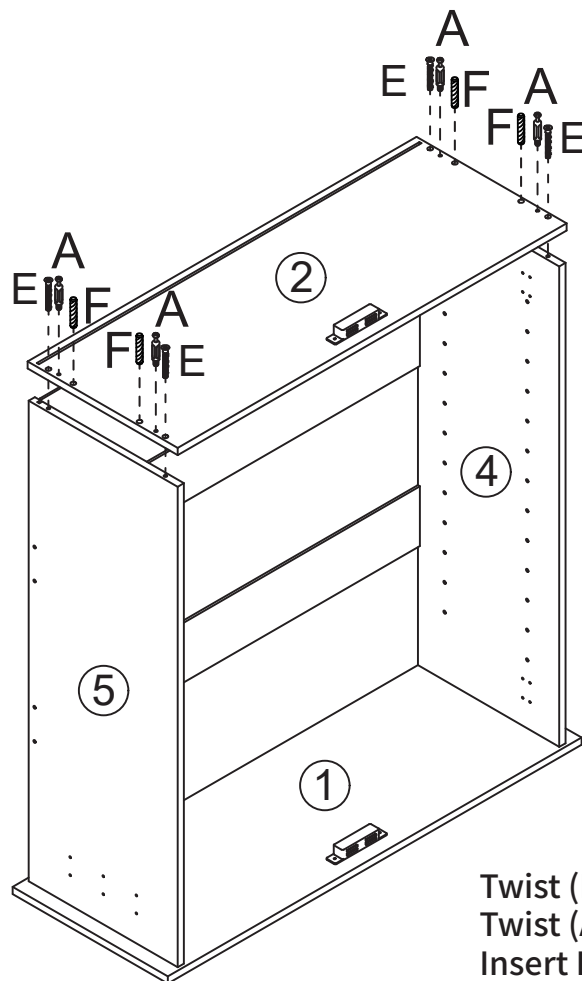
E X4



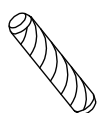
Twist (E) through (1) into (4) (5).
Make sure (10) fits into the groove in (1).

7

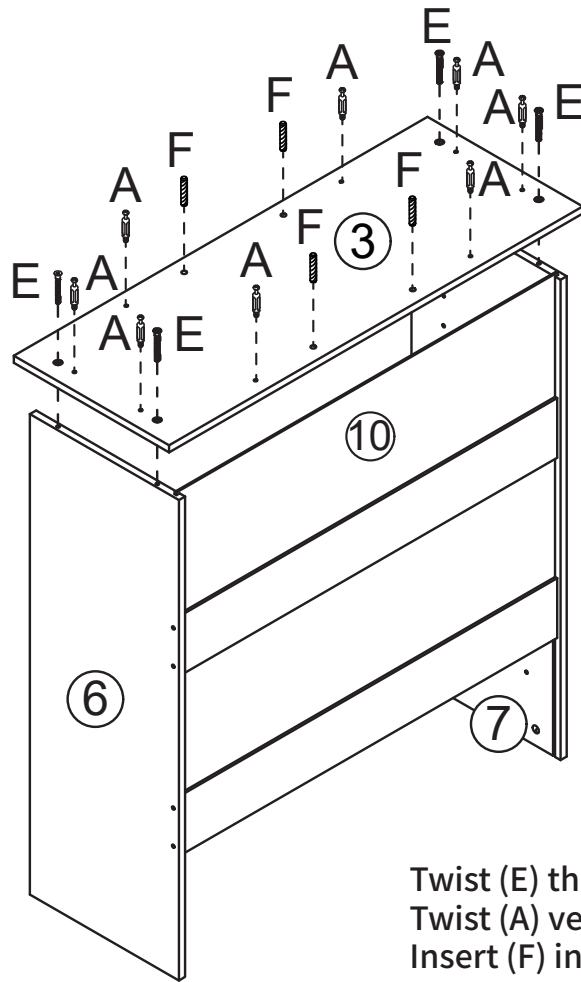
Turn the cabinet over, as shown.
Insert (10) into the grooves in (4) (5) (9).

8

A X4	E X4	F X4
------	------	------



Twist (E) through (2) into (4) (5).
Twist (A) vertically into the holes in (2).
Insert Dowel (F) into the holes in (2).

9

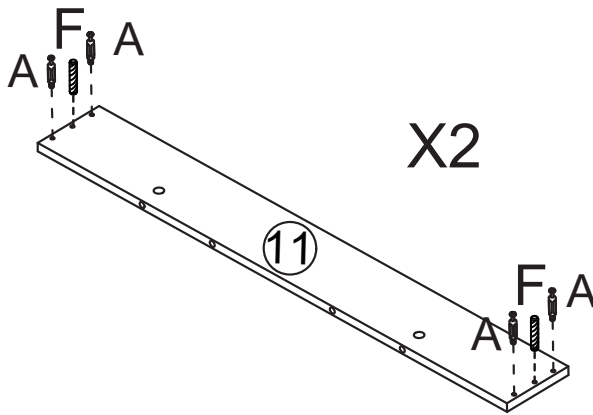
A X8

E X4

F X4



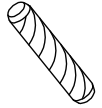
Twist (E) through (3) into (6) (7).
Twist (A) vertically into the holes in (3).
Insert (F) into the holes in (3).

10

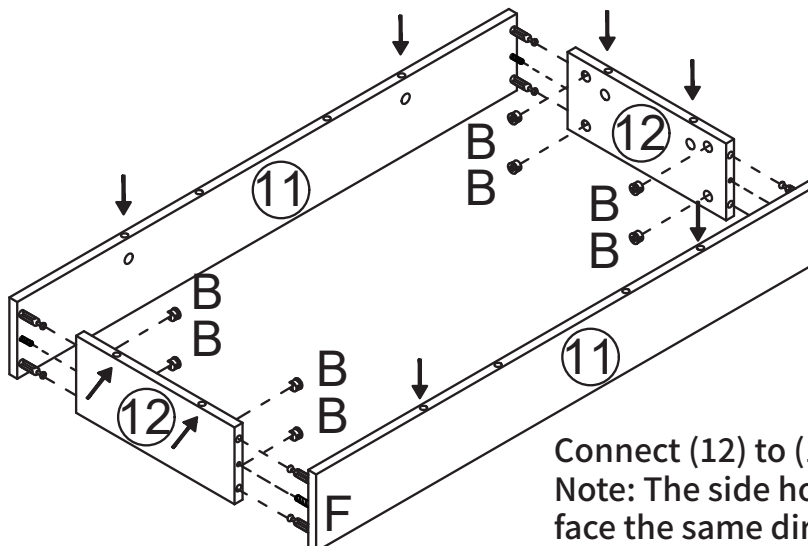
X2

A X8

F X4



Insert (A) into the holes in (11).
Insert (F) into the holes in (11).

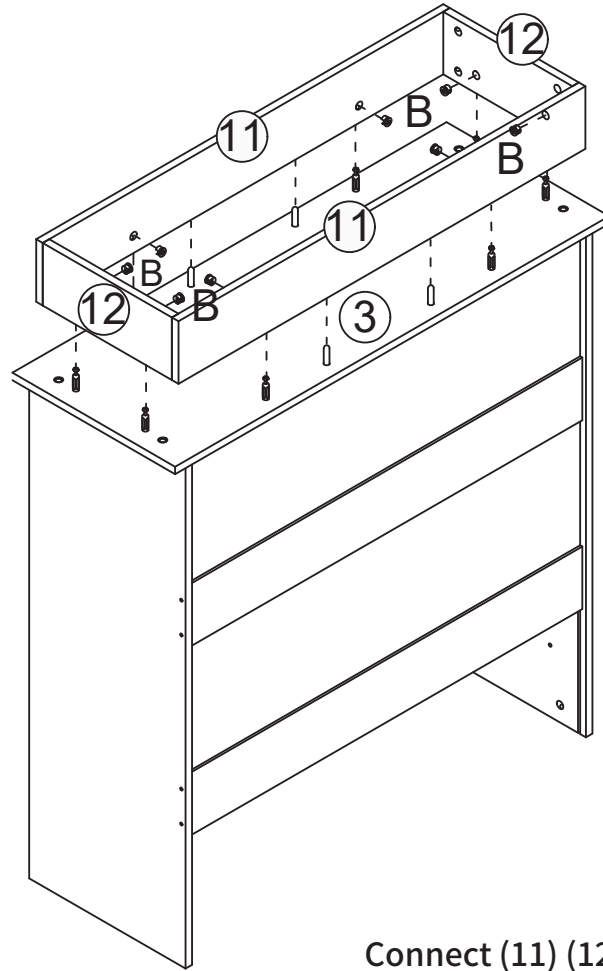
11

B X8



Connect (12) to (11), then secure with (B).
Note: The side holes in (11) and (12) must face the same direction.

12

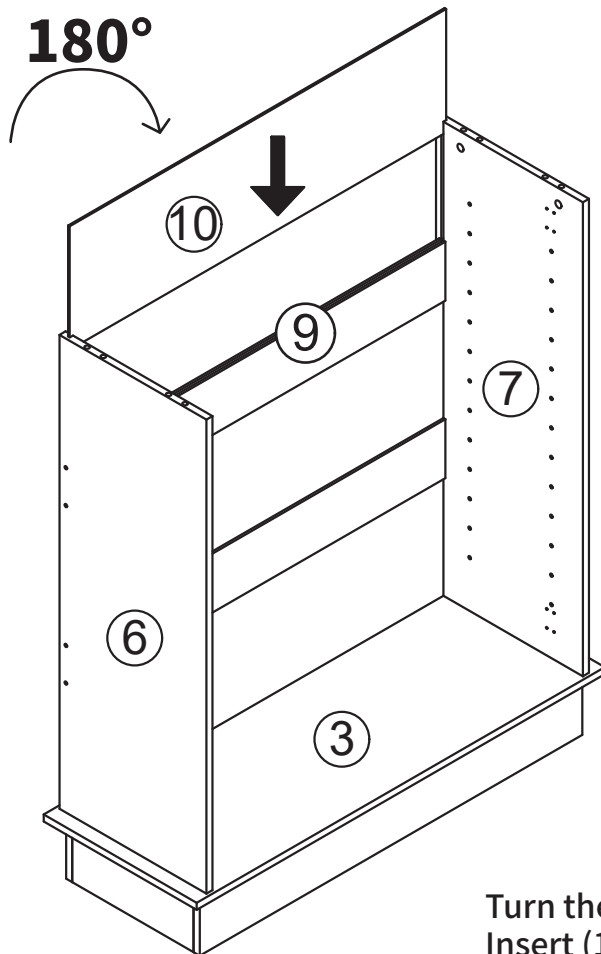


B X8



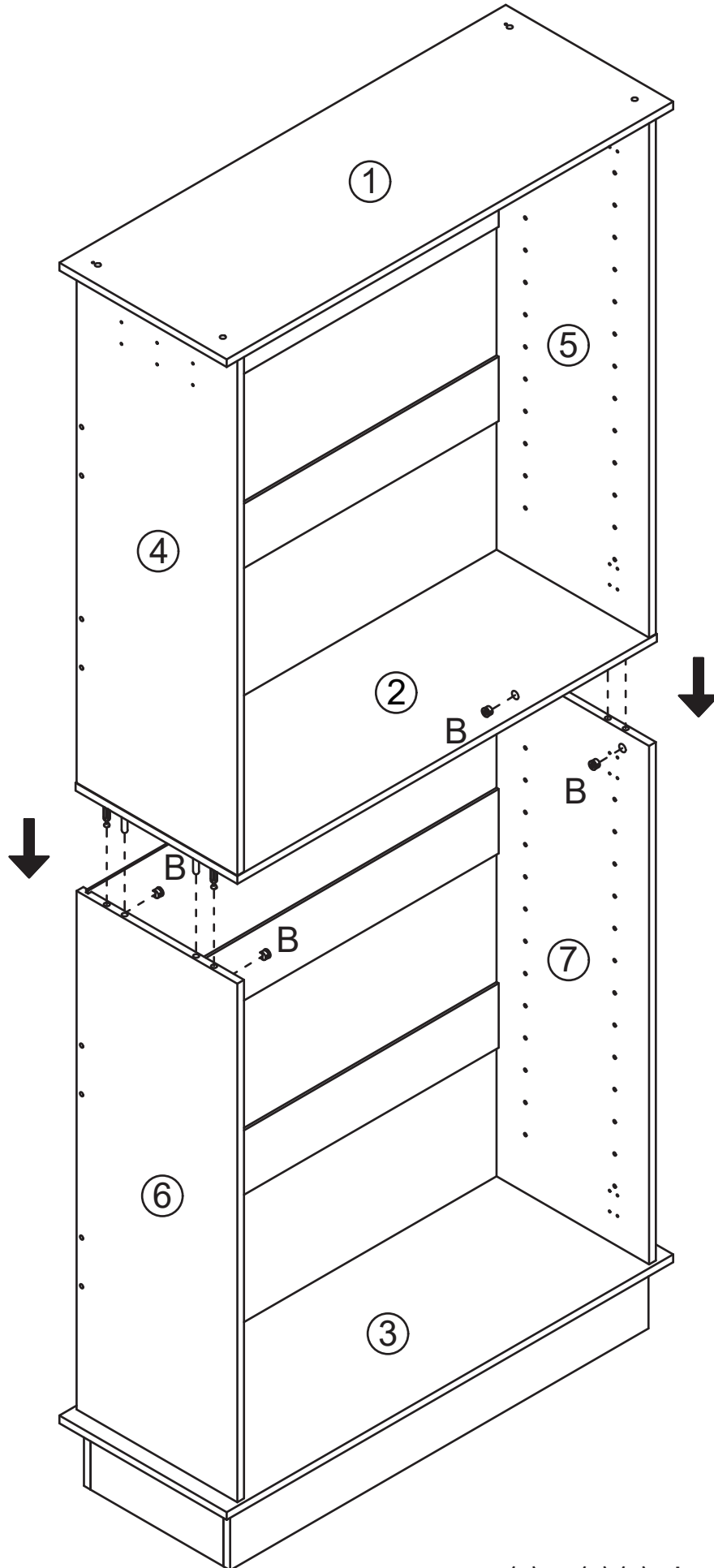
Connect (11) (12) to (3), then secure with (B).

13



Turn the cabinet over, as shown.
Insert (10) into the grooves in (6) (7) (9).

14

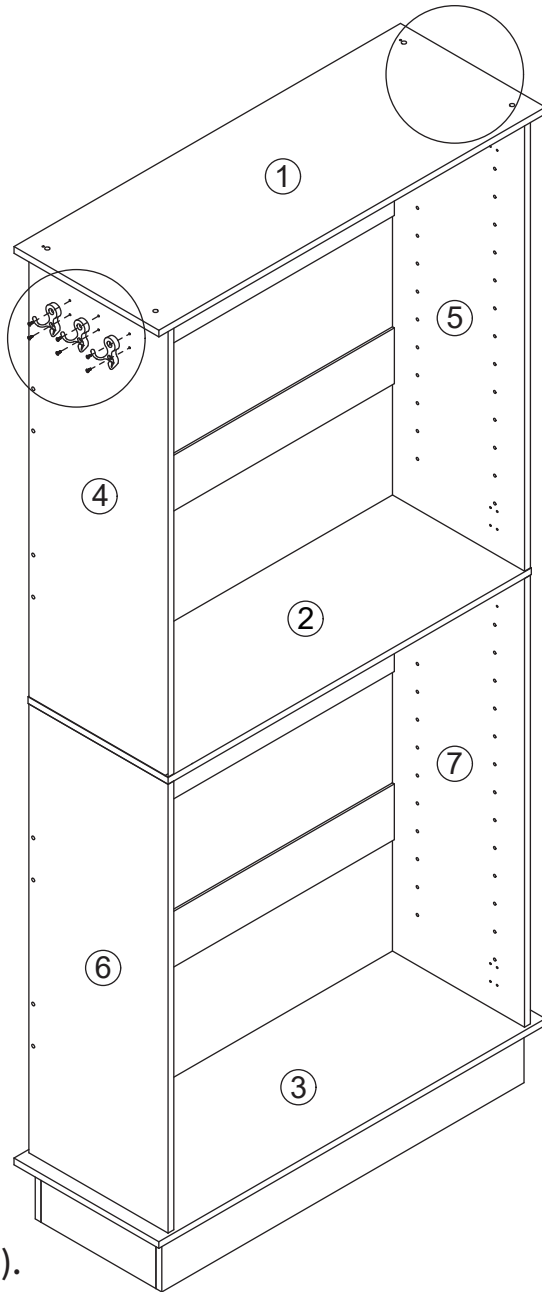
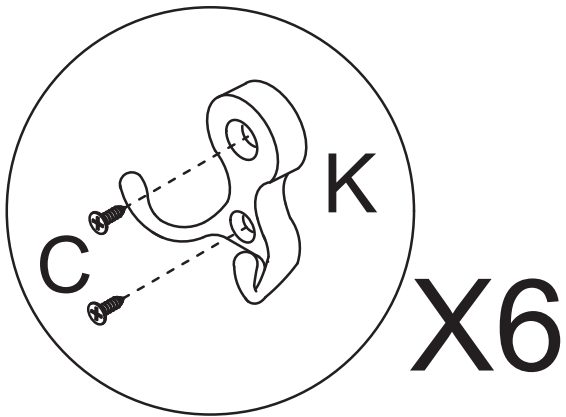


B X4



Connect (2) to (6) (7), then secure with (B).

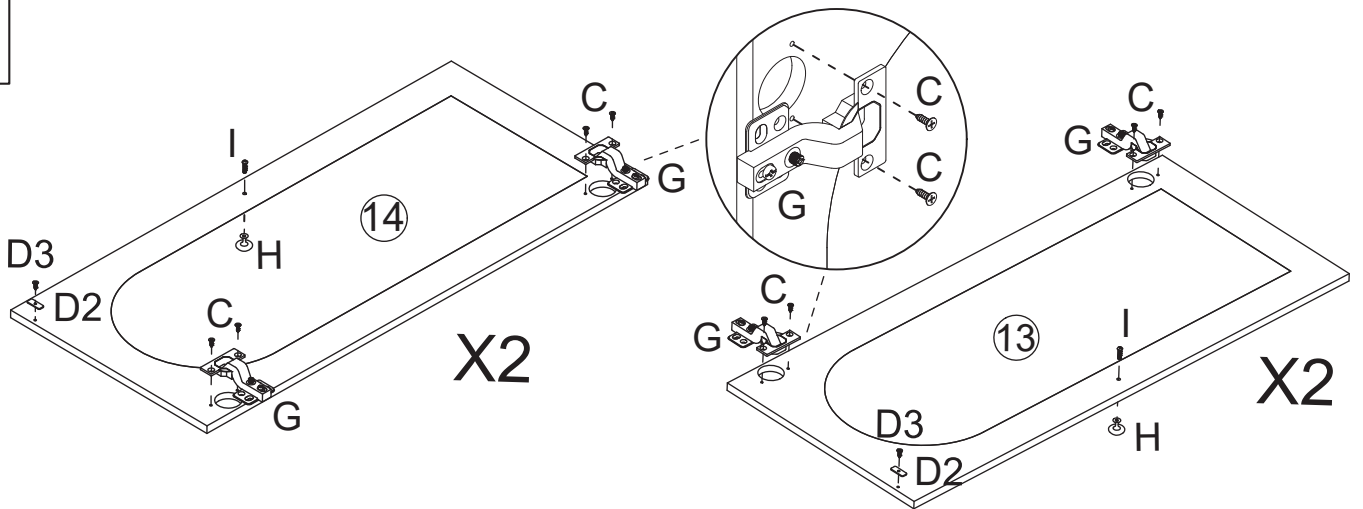
15



C X12	K X6

Secure (K) to (4) (5) using (C).

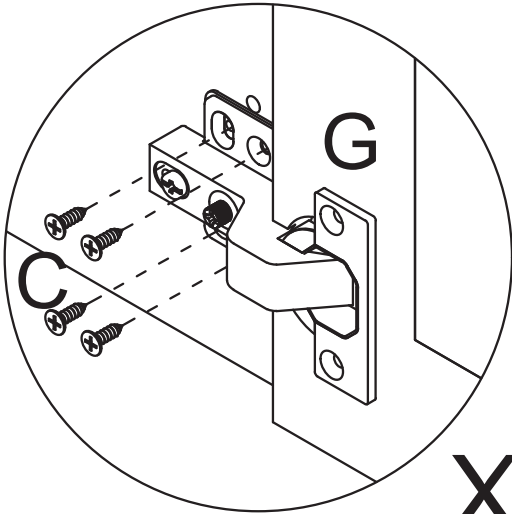
16



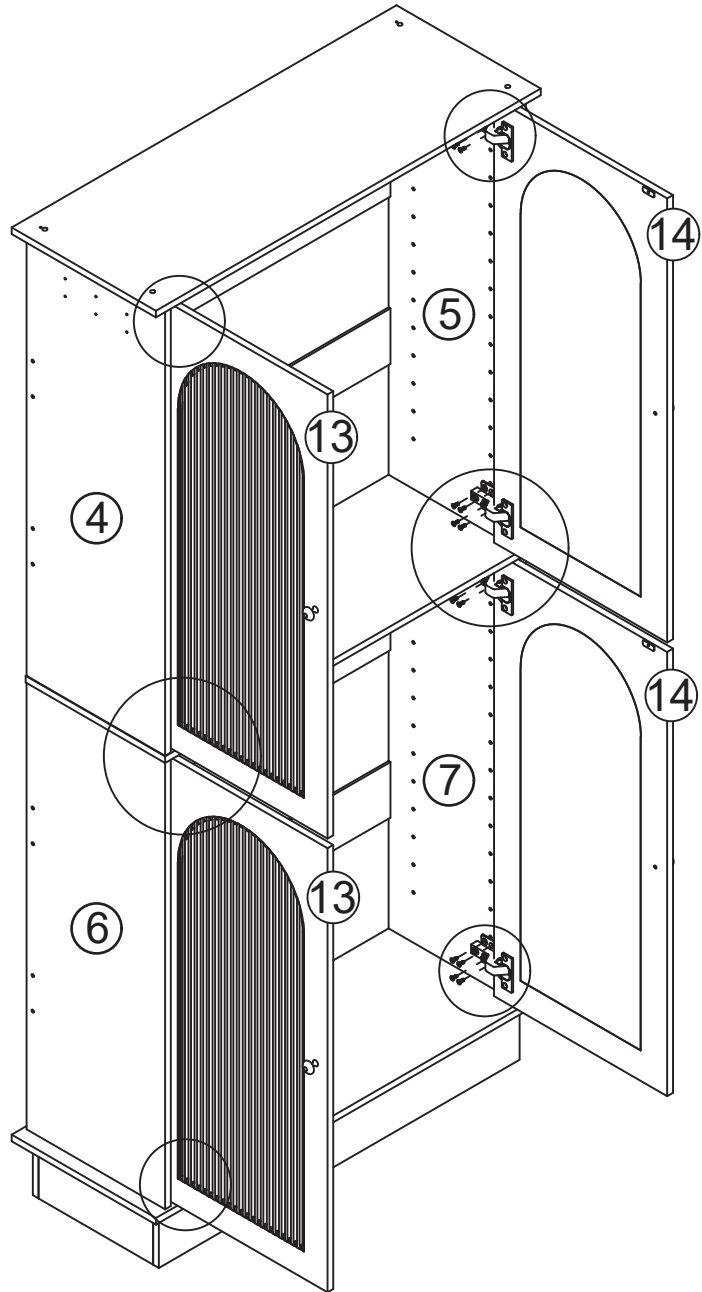
C X16	D X 4	G X 8	H X 4	I X 4

Twist (C) through (G) into (13) (14).
 Twist (D3) through (D2) into (13) (14).
 Twist (I) to connect (H) with (13) (14).

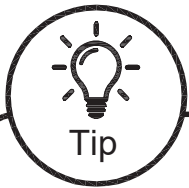
17



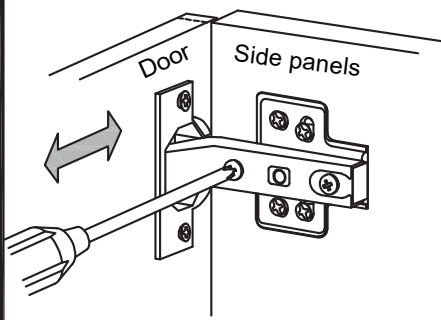
X8



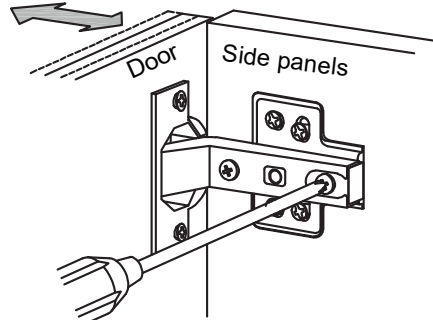
C X32



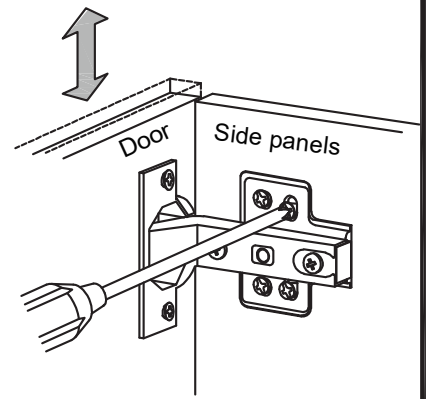
Twist (C) through (G) into (4) (6) to connect (13).
Twist (C) through (G) into (5) (7) to connect (14).



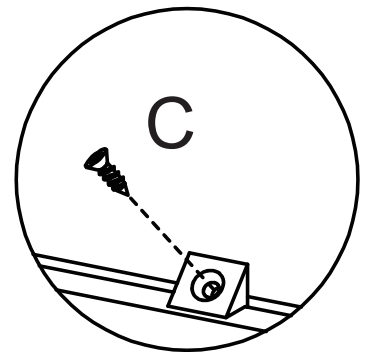
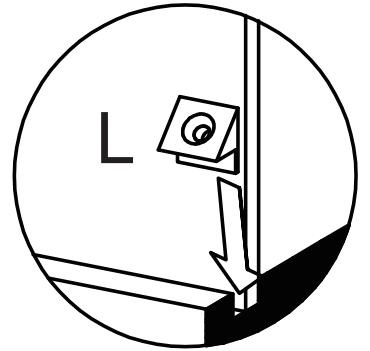
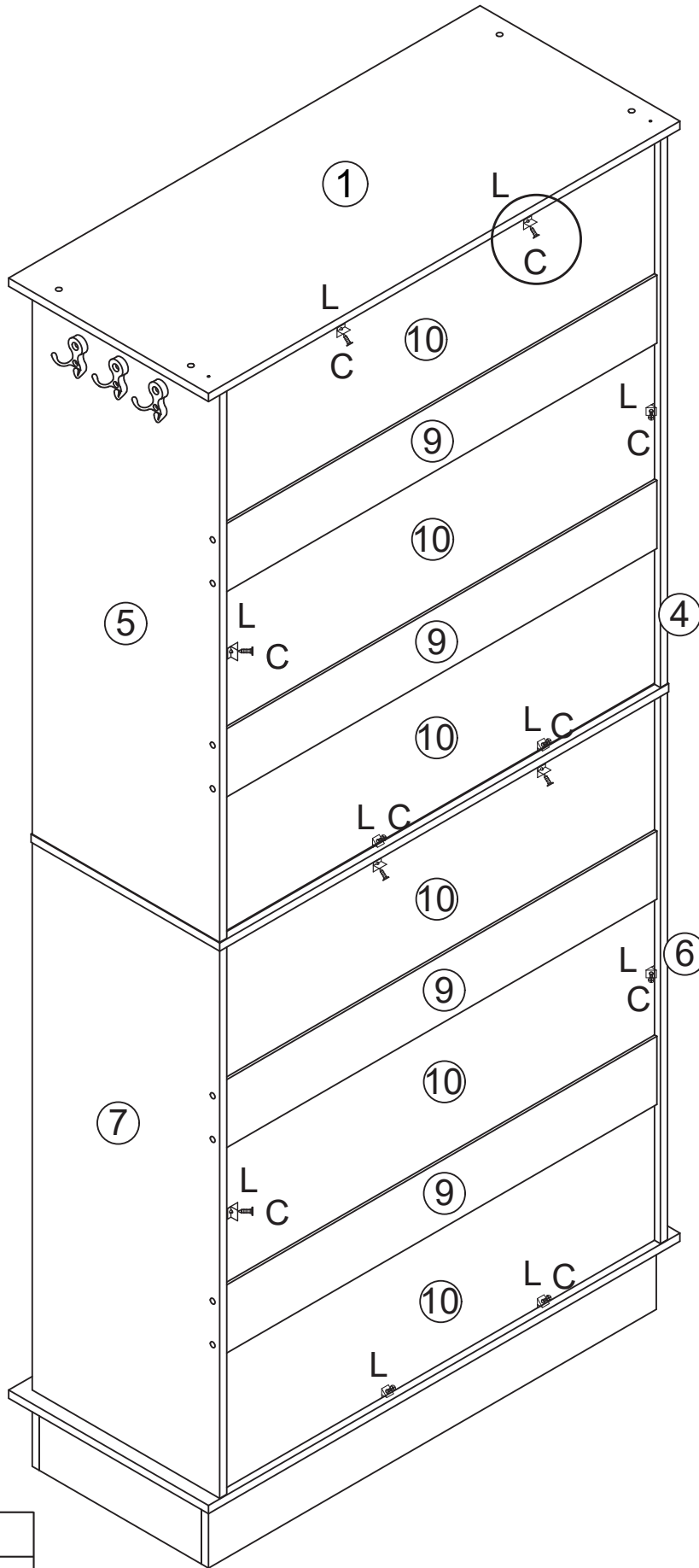
Adjust horizontal width
with this screw.


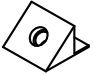


Adjust depth position
by loosening the hinge arm
mounting screw.



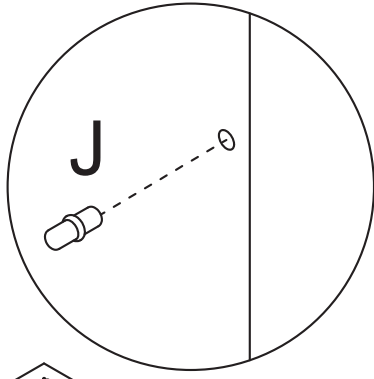
Adjust vertical height
via the screws in the
mounting plate.



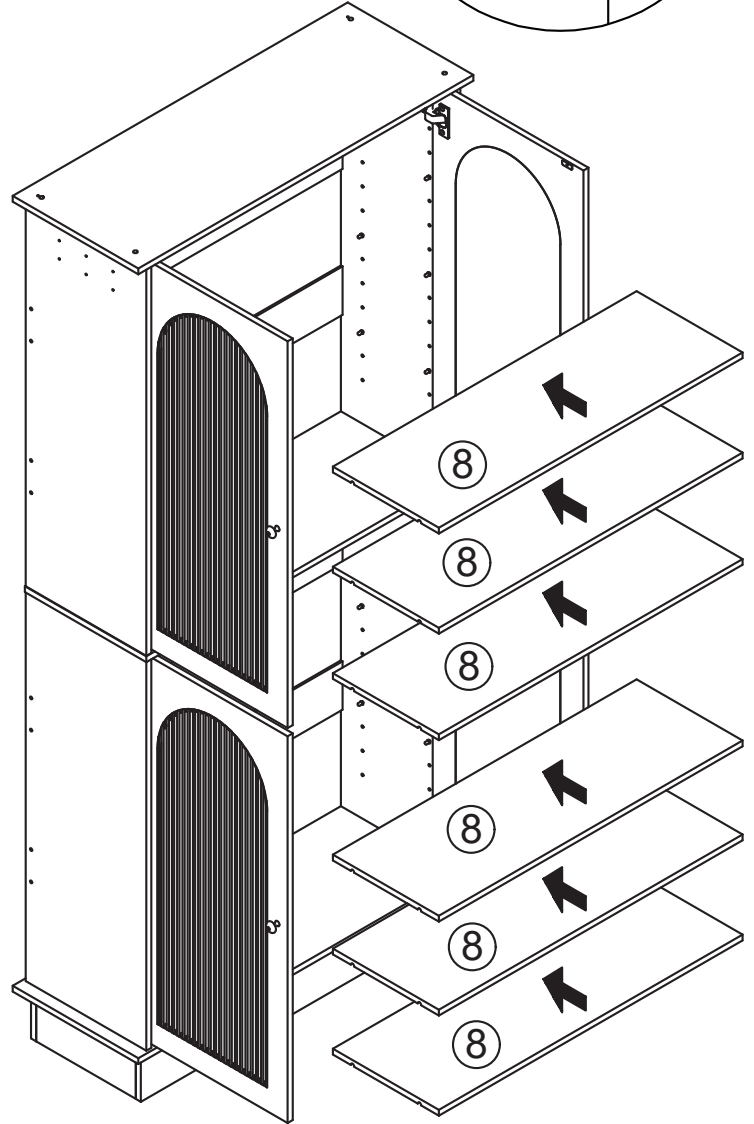
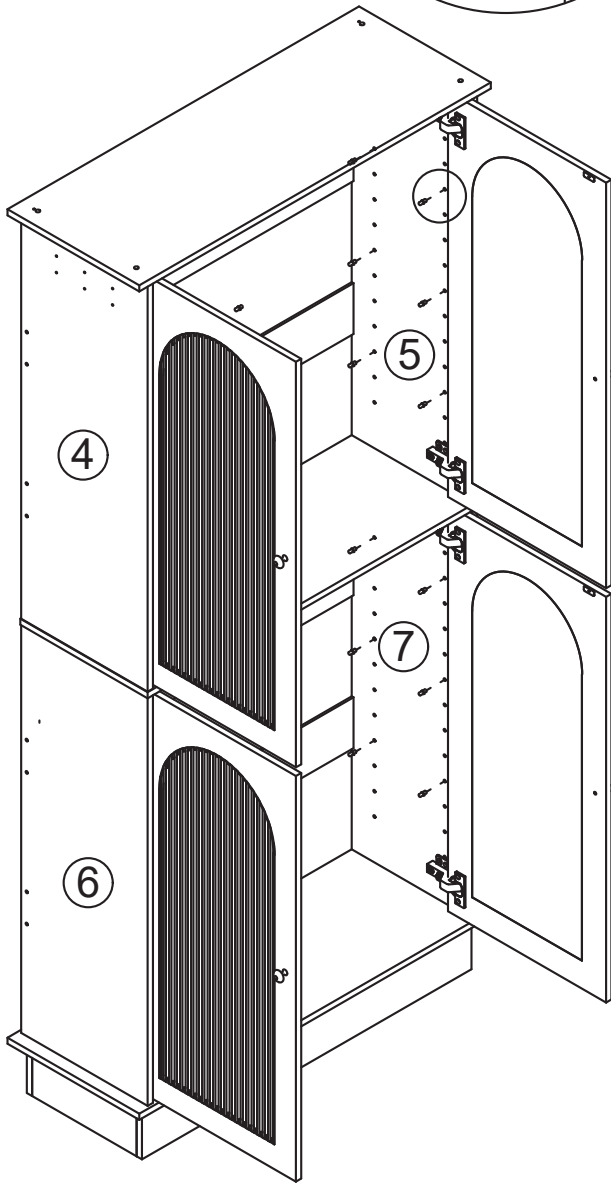
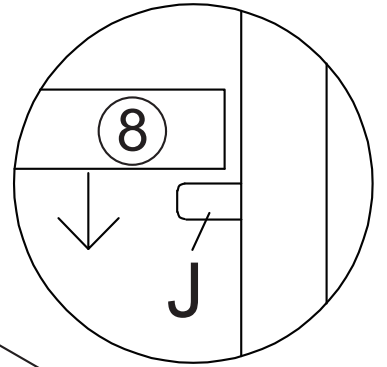
C X12	L X12
	

Insert (L) into the gaps between the back boards as shown.
Twist (C) to secure (L).

19



X24

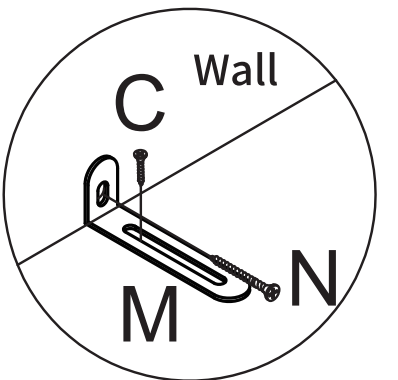
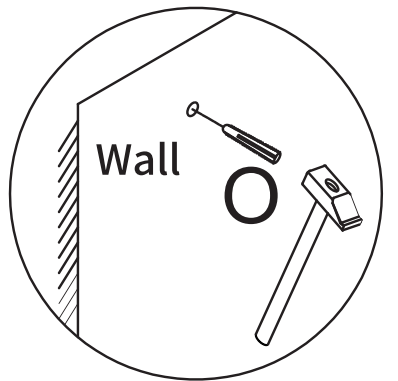
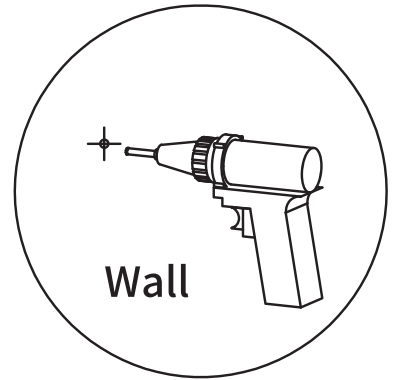
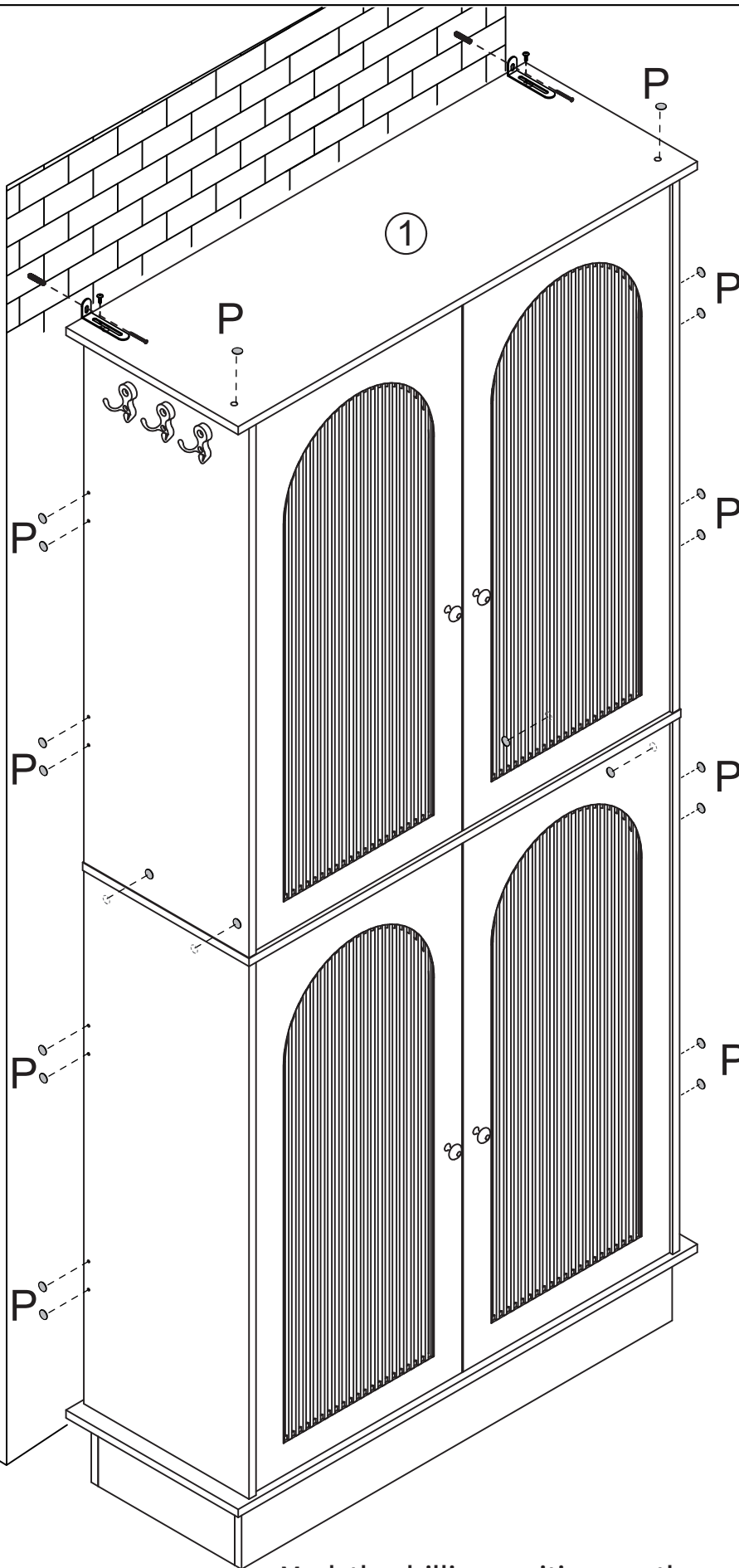


J X24



Insert (J) into the holes in (4) (5) (6) (7).
Select different holes for your preferred shelf height.
Place (8) onto (J).

WALL



P X22



C X2



M X2



N X2



O X2



Mark the drilling positions on the wall, drill holes, and insert (O).
 Twist (C) through (M) into (1).
 Twist (N) through (M) into (O).
 Use (P) to cover the exposed holes for a clean finish.

