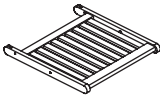


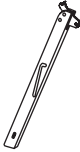



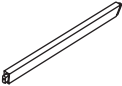
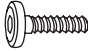




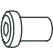



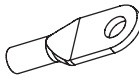
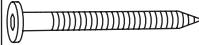

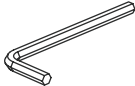
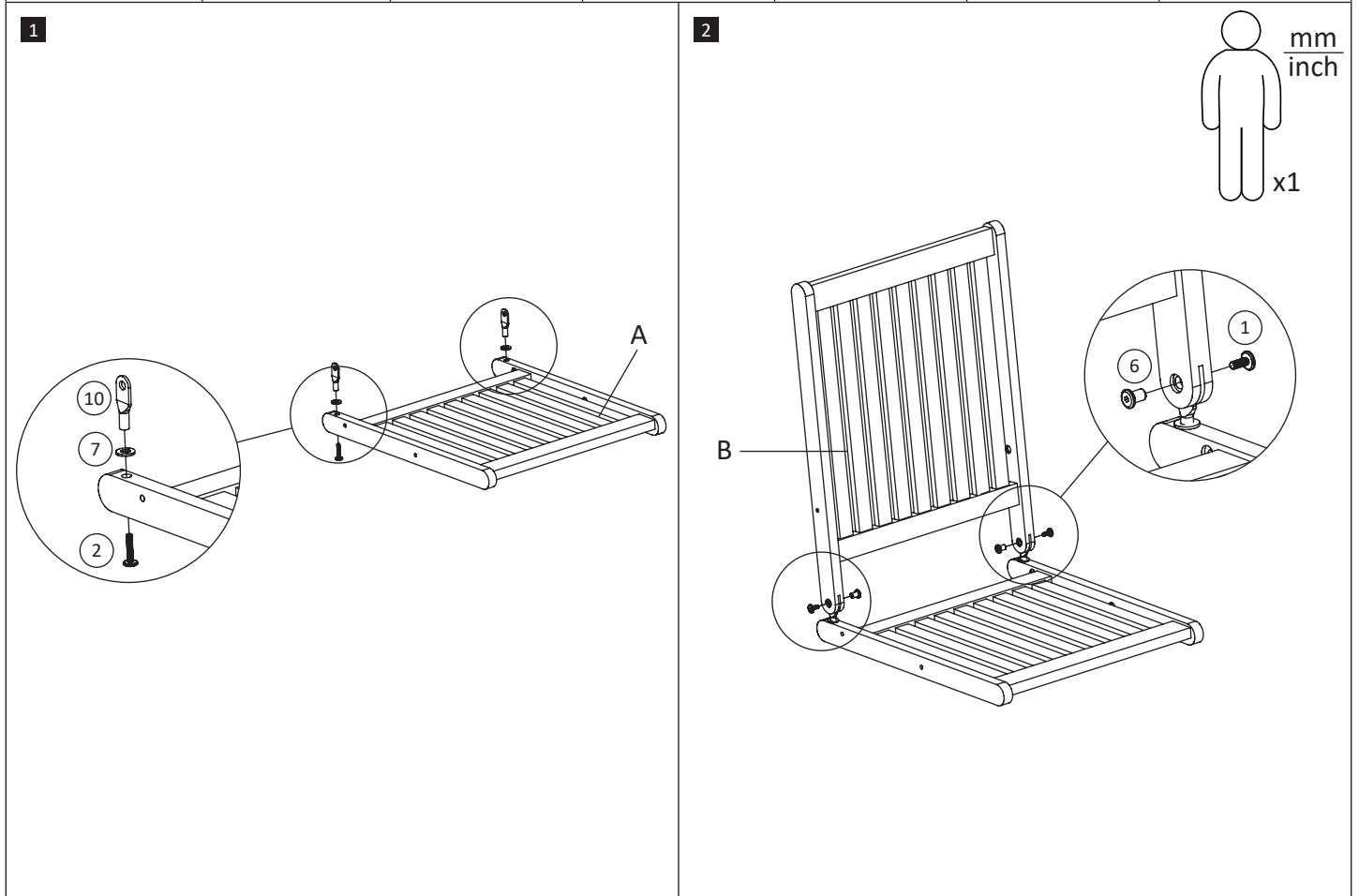
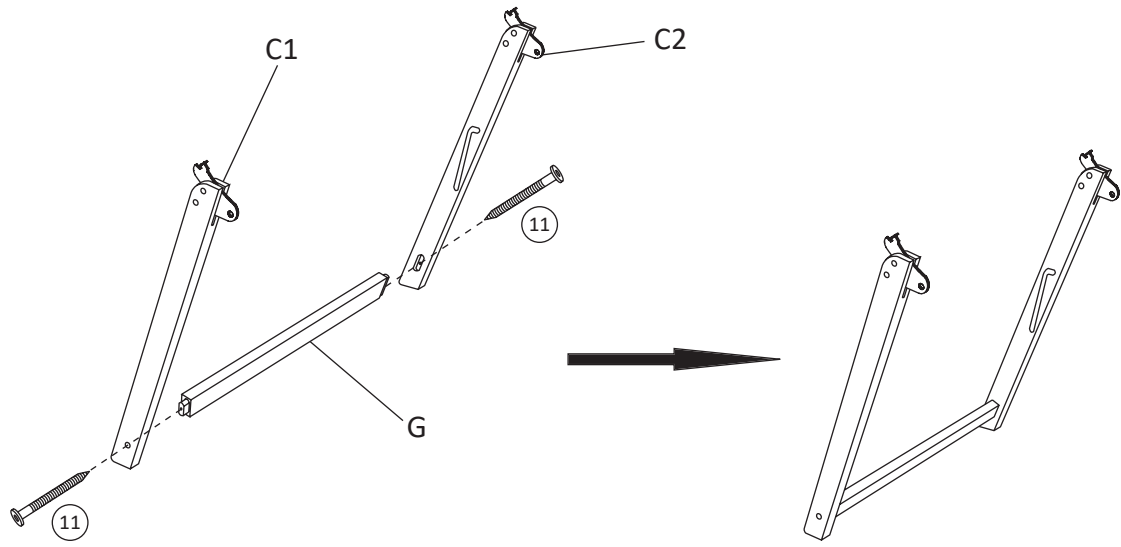


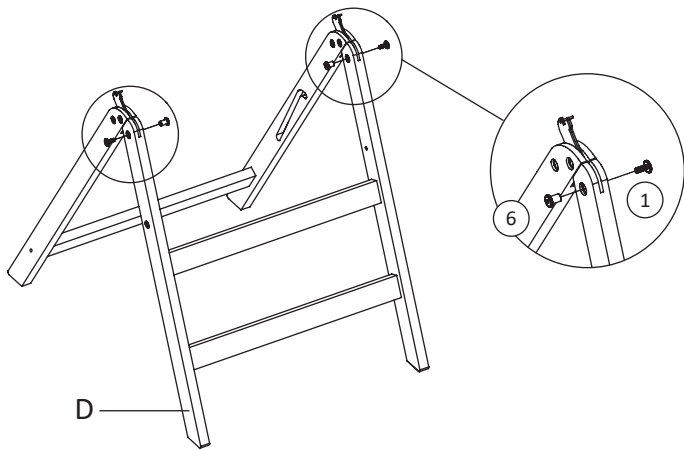
Ax1 	Bx1 	C1x1 	C2x1 	Dx1 	Ex1 	Fx1 
Gx1 	① x4  M6x $\frac{15}{0.6}$	② x2  M6x $\frac{35}{1.4}$	③ x2  M6x $\frac{60}{2.4}$	④ x2  M8x $\frac{40}{1.6}$	⑤ x2  M8x $\frac{40}{1.6}$	⑥ x6  M6x $\frac{13}{0.5}$
⑦ x2  MΦ10/20x $\frac{2}{0.08}$	⑧ x2  MΦ6/20x $\frac{2}{0.08}$	⑨ x4  MΦ8/20x $\frac{5}{0.2}$	⑩ x2 	⑪ x2  M6x $\frac{60}{2.4}$	⑫ x2  M8x $\frac{15}{0.6}$	⑬ x2  M4



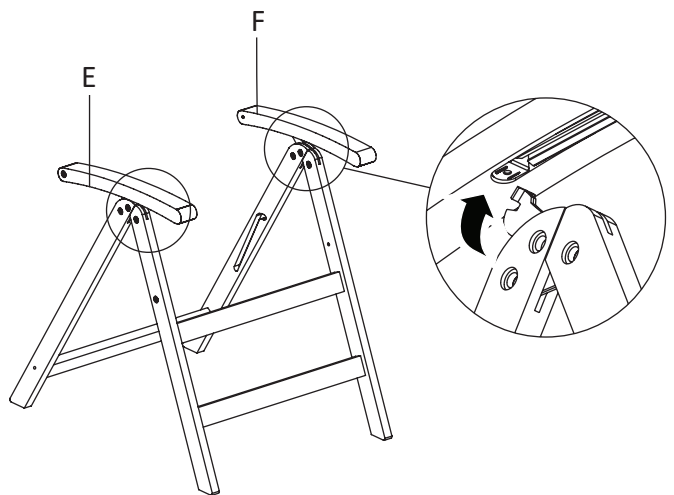
3



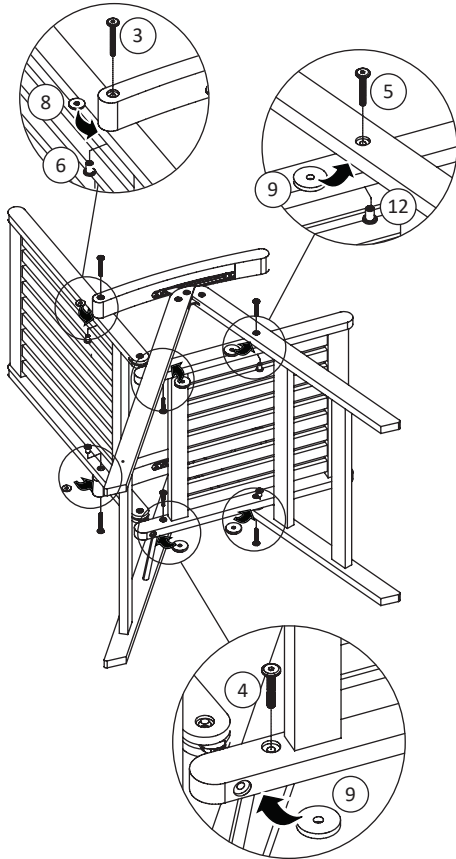
4



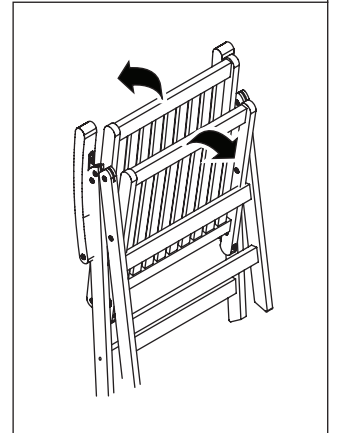
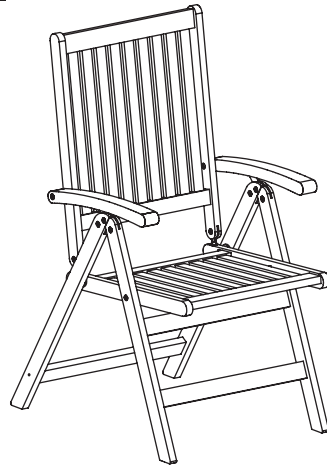
5



6



7



8

