

# ASSEMBLY INSTRUCTION

Thank you for purchasing this quality product. Be sure to check all packing material carefully for small parts which may have come loose inside the carton during shipment. Separate, identify and count all parts and hardware. Compare with the parts list to be sure all parts are present.

**IMPORTANT : PLEASE READ INSTRUCTION BEFORE STARTING THE ASSEMBLY.**

**"DO NOT TIGHTEN SCREWS UNTIL COMPLETELY ASSEMBLED"**

**"DO NOT OVERTIGHT ANY HARDWARE"**

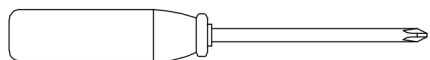
**WARNING : SMALL PARTS AND HARDWARE NOT FOR CHILDREN UNDER 3 YEARS. ADULT ASSEMBLY REQUIRED.**

## TABLE OF CONTENTS

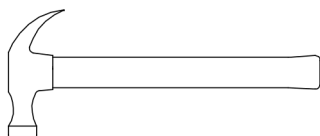
HARDWARES LIST	PAGE 2 - 3
PARTS LIST	PAGE 4 - 5
PARTS' LOCATION	PAGE 6
ASSEMBLY STEPS	PAGE 7 - 13
ASSEMBLY COMPLETED	PAGE 13
ANTI-TIPPING INSTALLMENT INSTRUCTIONS	PAGE 14

## ASSEMBLY TOOLS REQUIRED

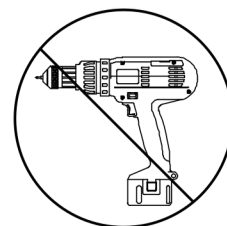
### 1. Screwdriver (not provide)



### 2. Hammer (not provide)




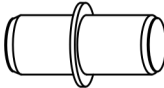
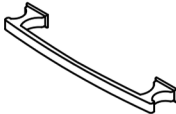

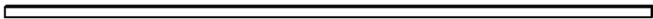
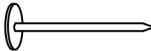


Skip the power trip this time.



# ASSEMBLY INSTRUCTION

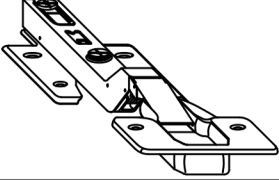

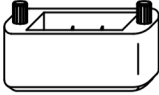
## HARDWARES LIST

ITEM	DESCRIPTION	DRAWING	QTY
A	MINIFIX CAM LOCK		12 PCS
B	MINIFIX CAM BOLT		12 PCS
C	WOOD DOWEL (M8 x 25MM)		12 PCS
E	SHELF SUPPORT (M5 x 16mm)		16 PCS
F	HANDLE		2 PCS
G	TRUSS M-SCREW (28MM)		4 PCS
H	PLASTIC STRIP (H SHAPE)		2 PCS
I	6/8" NAIL		25 PCS

MORE HARDWARES DETAIL IN NEXT PAGE...


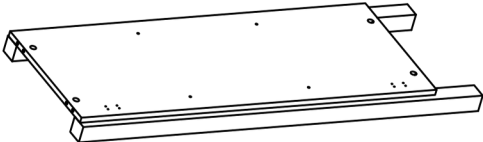
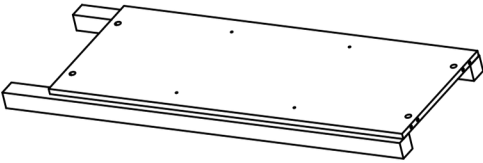
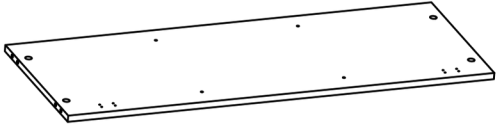
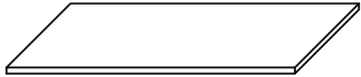
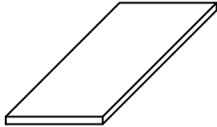
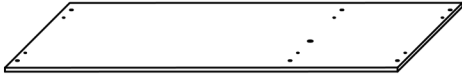
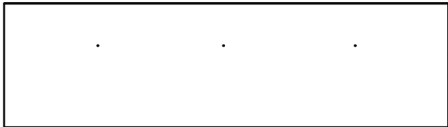

# ASSEMBLY INSTRUCTION

## HARDWARES LIST

ITEM	DESCRIPTION	DRAWING	QTY
J	SOFT-CLOSE HINGES	 A technical drawing of a soft-close hinge, showing two metal plates connected by a central pivot mechanism with a spring.	4 PCS
K	CSK C/B SCREW (M4 x 16MM)	 A technical drawing of a cross-head (CSK) counter-bore (C/B) screw, showing the head with a cross-shaped slot and the threaded shaft.	24 PCS
L	PLASTIC STOPPER	 A technical drawing of a rectangular plastic stopper with two small protrusions on its top surface.	1 PCS

# ASSEMBLY INSTRUCTION

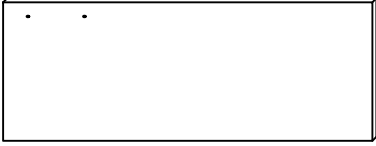
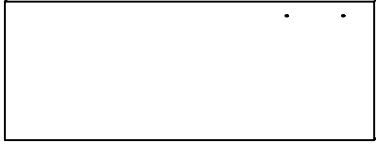
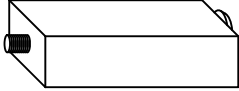
## PARTS LIST

ITEM	DESCRIPTION	DRAWING	QTY
1	TOP PANEL		1 PC
2	LEFT PANEL		1 PC
3	RIGHT PANEL		1 PC
4	CENTRE PANEL		1 PC
5	COMPARTMENT PANEL - LONG		2 PCS
6	COMPARTMENT PANEL - SHORT		2 PCS
7	BOTTOM PANEL		1 PC
9A	BACK PANEL WITH HOLE		1 PC
9B	BACK PANEL		2 PCS

MORE PARTS DETAIL IN NEXT PAGE...

# ASSEMBLY INSTRUCTION

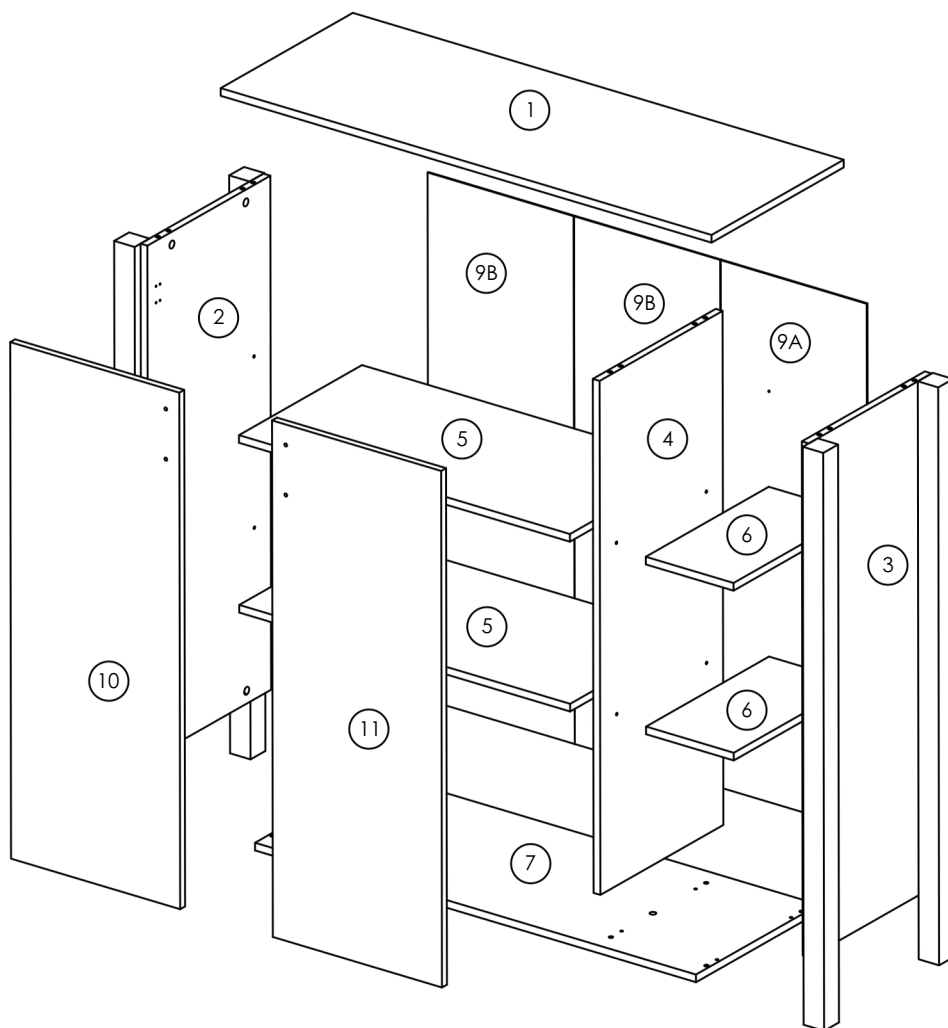
## PARTS LIST

ITEM	DESCRIPTION	DRAWING	QTY
10	DOOR LEFT		1 PC
11	DOOR RIGHT		1 PC
22	CENTRE SUPPORT LEG		1 PC

# ASSEMBLY INSTRUCTION

## PARTS ' LOCATION

STORAGE CABINET x 1 PC

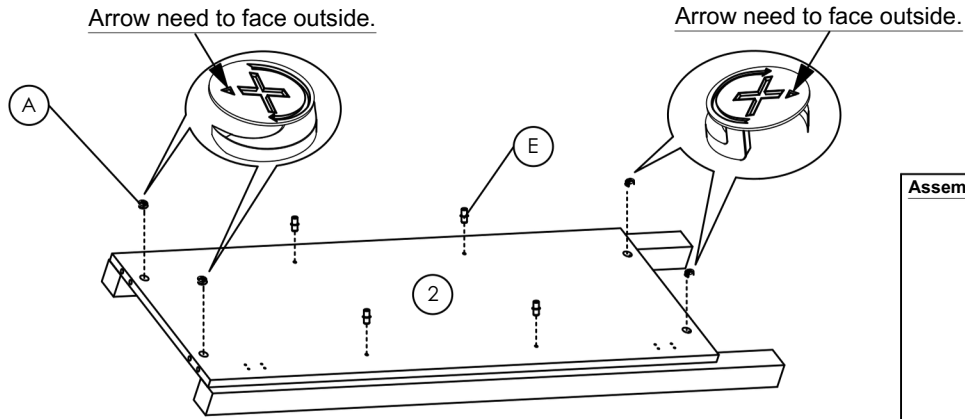


# ASSEMBLY INSTRUCTION

## ASSEMBLY STEPS

### STEP 1

Insert 4 pieces (A) and 4 pieces (E) to the (2) as shown.

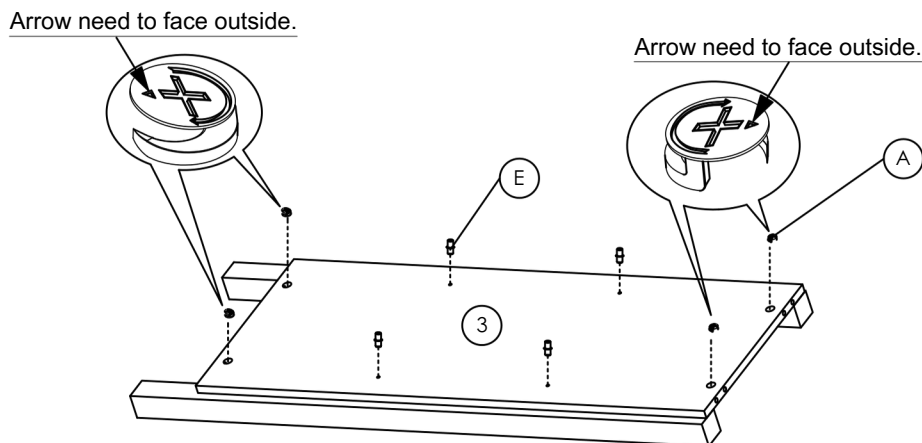


Assembled looks

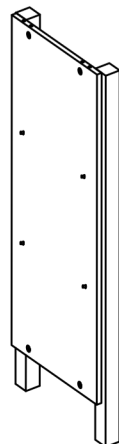


### STEP 2

Insert 4 pieces (A) and 4 pieces (E) to the (3) as shown.



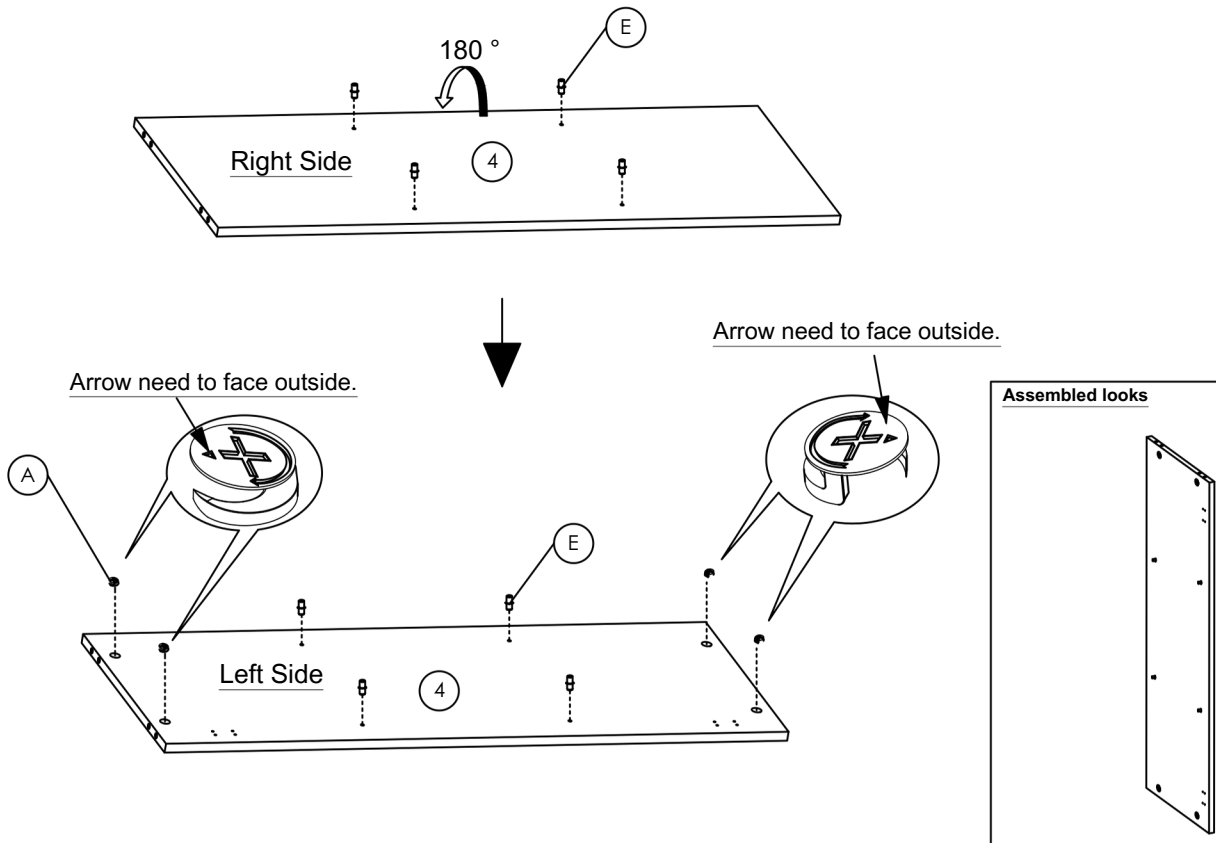
Assembled looks



# ASSEMBLY INSTRUCTION

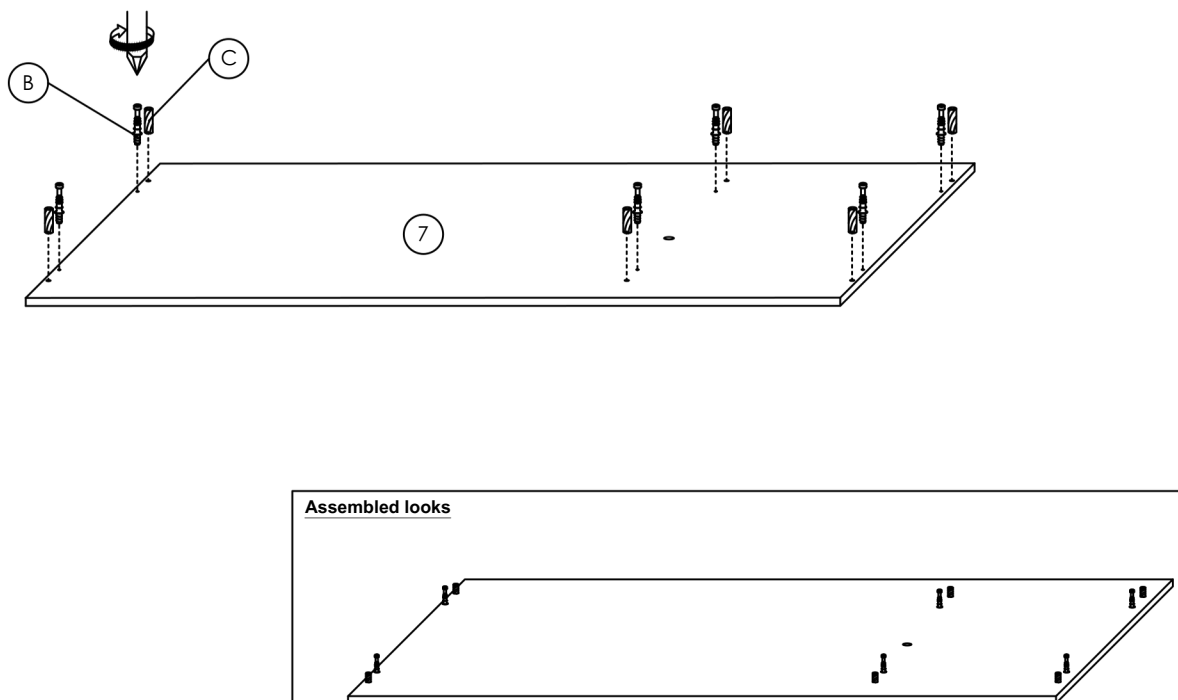
## STEP 3

Insert 4 pieces (E) to the right side of (4) . Then insert 4 pieces (A) and 4 pieces (E) to the left side of (4) as shown.



## STEP 4

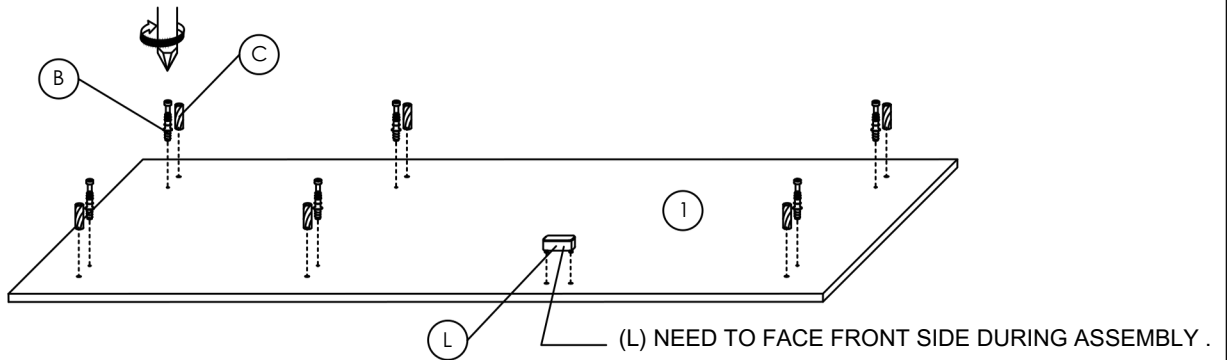
Insert 6 pieces (B) and (C) to the (7) as shown.



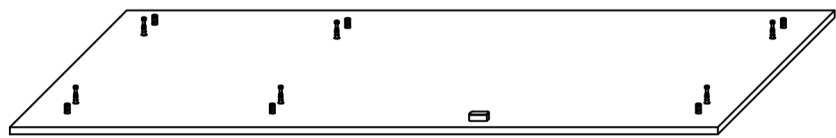
# ASSEMBLY INSTRUCTION

## STEP 5

Insert 6 pieces (B) , (C) and a 1 piece (L) to the (1) as shown.

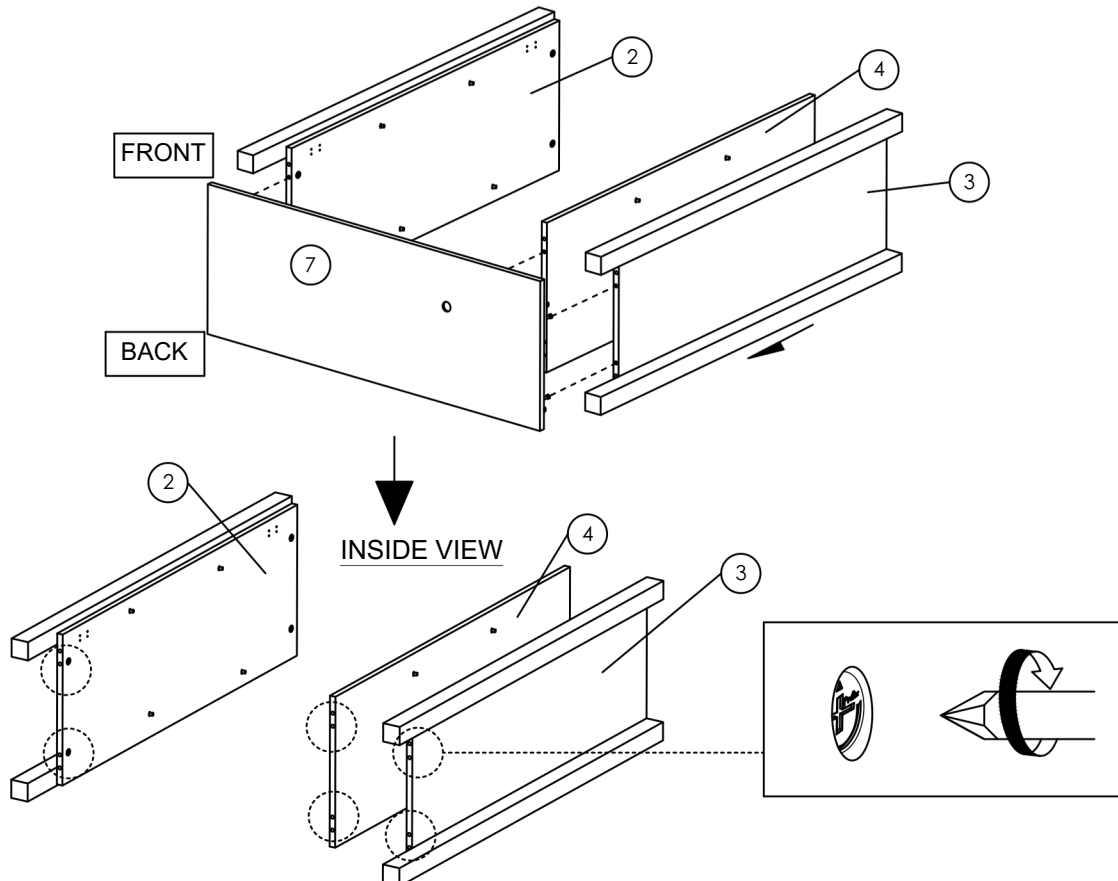


Assembled looks



## STEP 6

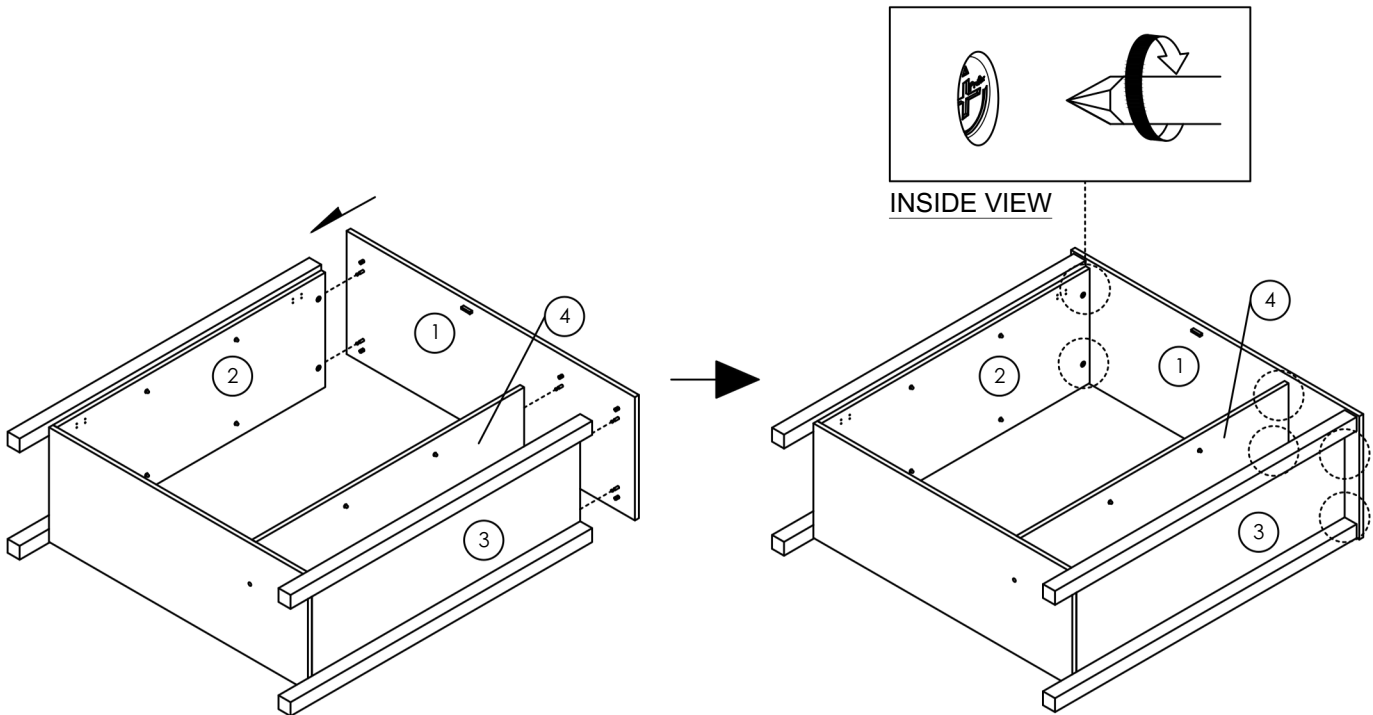
Combine the (2),(3),(4) to the (7) then tighten the 6 pieces (A)-(pre insert in step 1 to 3) as shown.



# ASSEMBLY INSTRUCTION

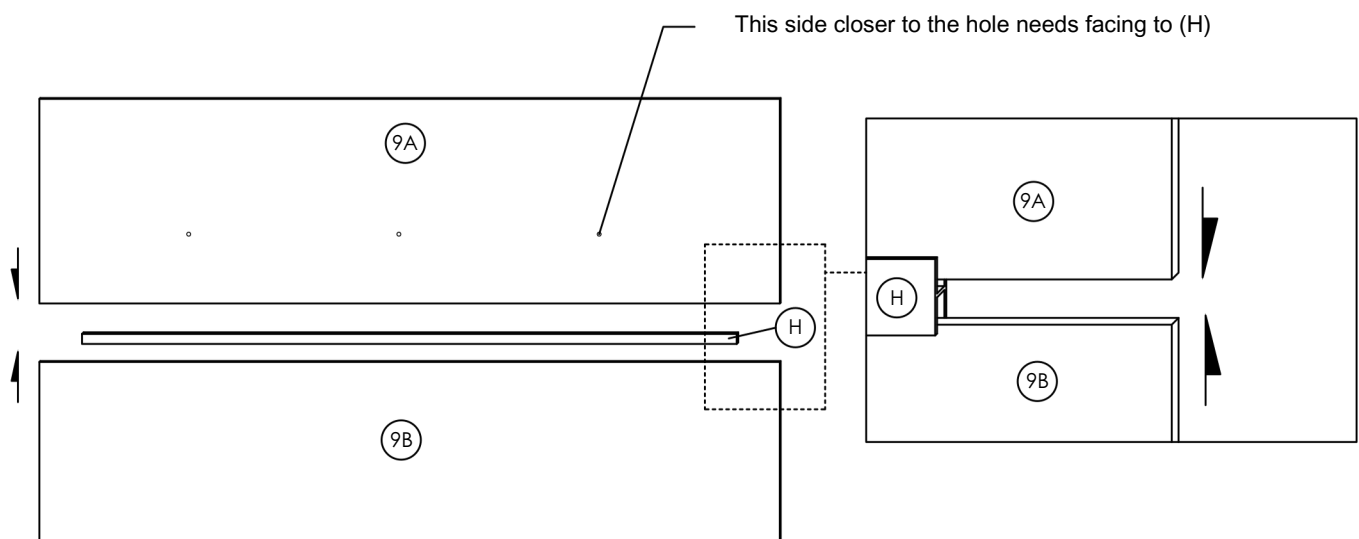
## STEP 7

Combine the (1) to the (2),(3) and (4) then tighten the 6 pieces (A)-(pre insert in step 1 to 3) as shown.



## STEP 8

Put the (9A) and 1 piece (9B) to the gap of (H) as shown. Direction of the side with colored paper must be the same.



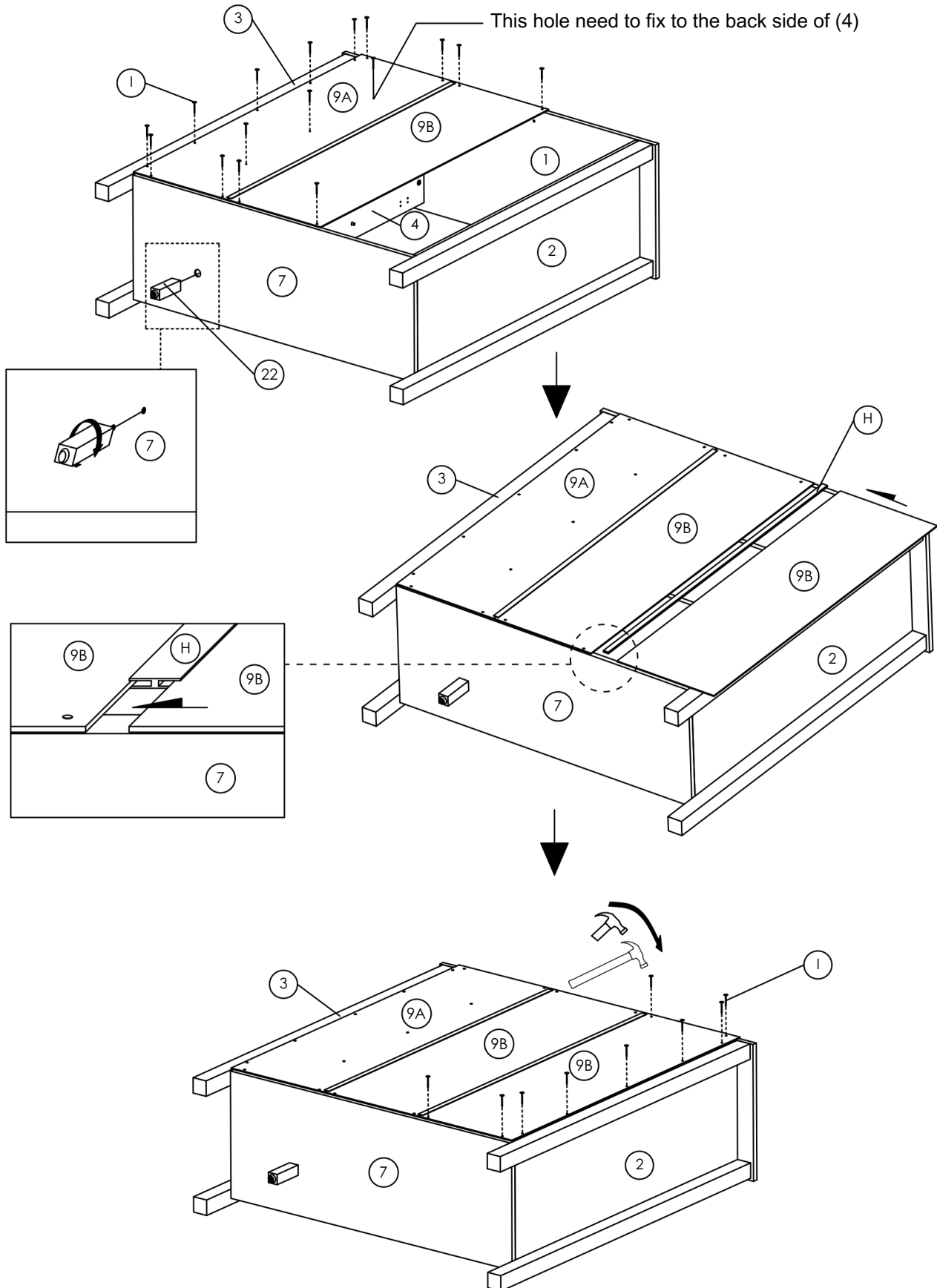
# ASSEMBLY INSTRUCTION

## STEP 9

Turn (22) clockwise to combine to the (7) as shown.

Insert the 16 pieces (I) to fix the (9A) and 1 piece (9B) as shown. Colored paper face to inside.

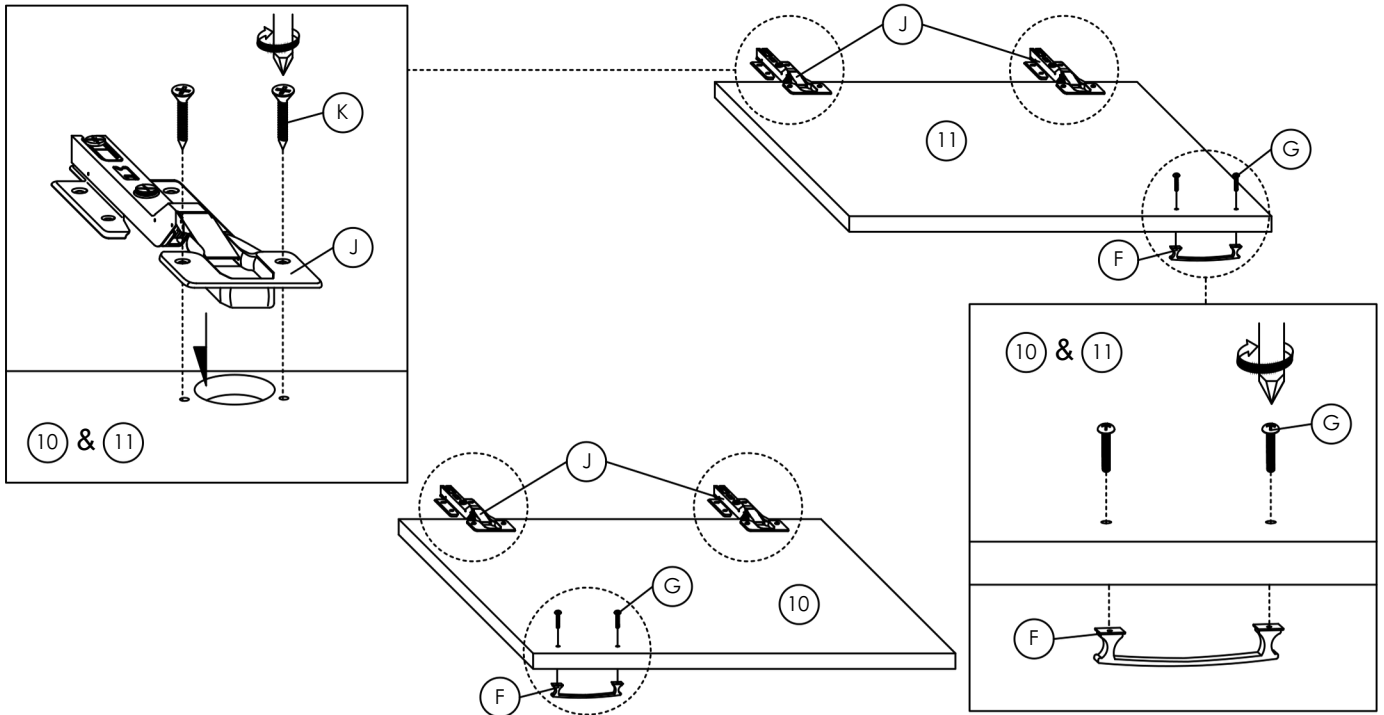
Then align the position combine the remaining 1 pieces (H),(9B) and fix by 9 pieces (I) as shown.



# ASSEMBLY INSTRUCTION

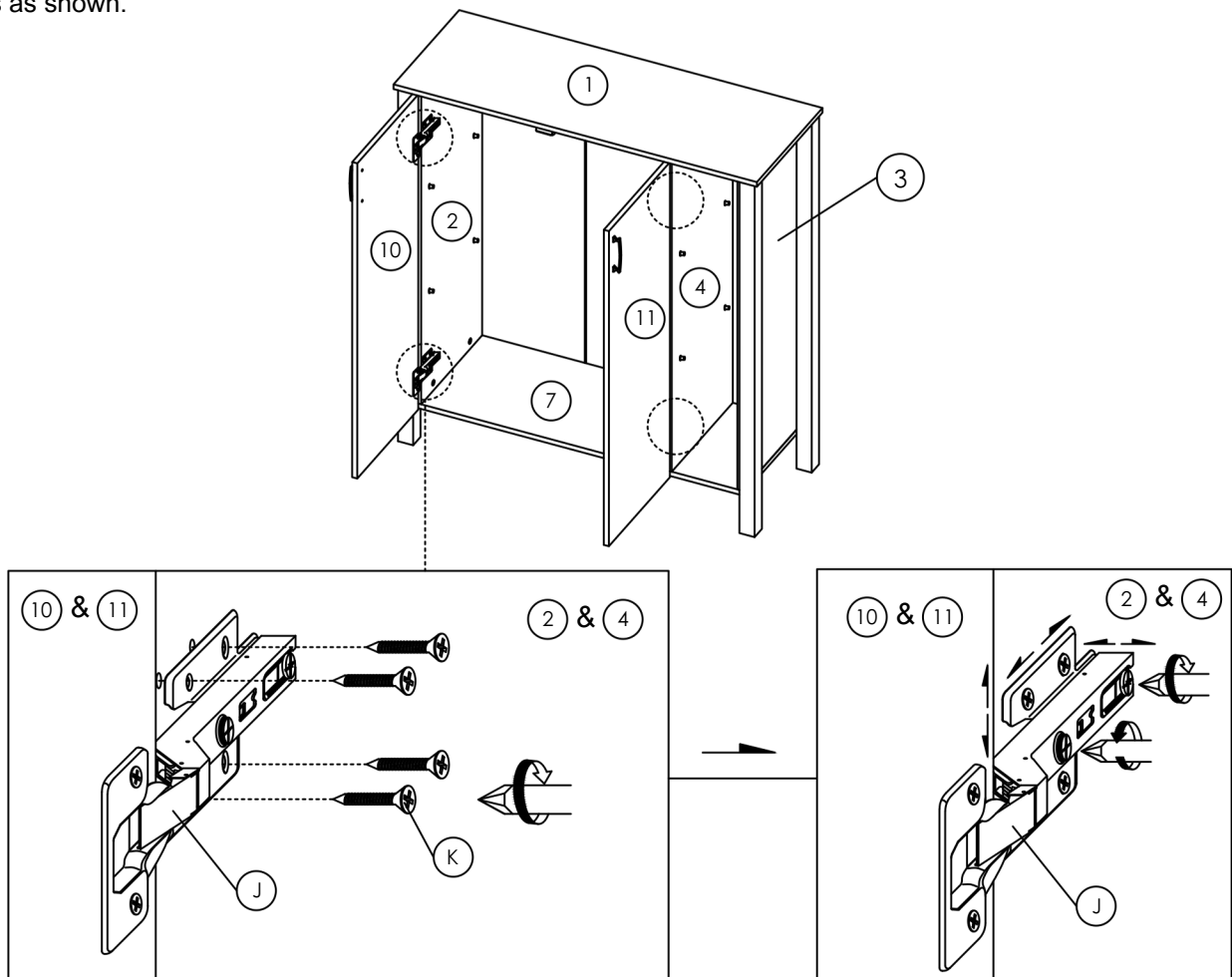
## STEP 10

Insert 8 pieces (K) to fix the 4 pieces (J) to the (10) and (11). Then insert 4 pieces (G) to fix the 2 pieces (F) as shown.



## STEP 11

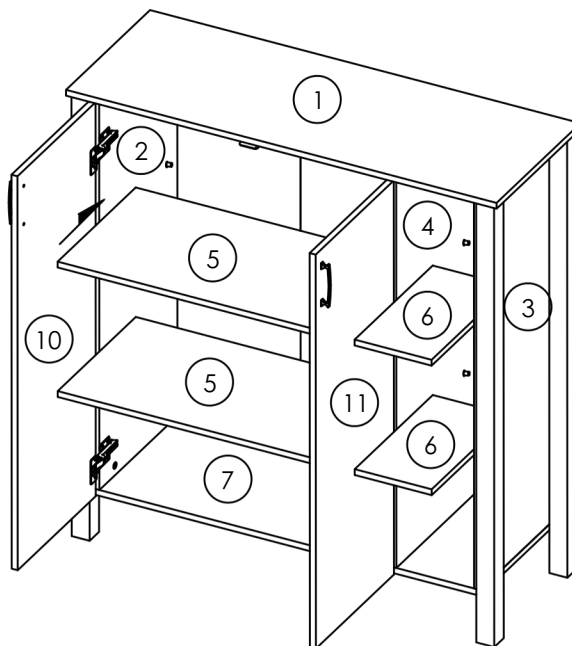
Insert the remaining 16 pieces (K) to fix the (J) to the (2) and (4). Adjust the (J) then tighten the 8 pieces adjuster screws as shown.



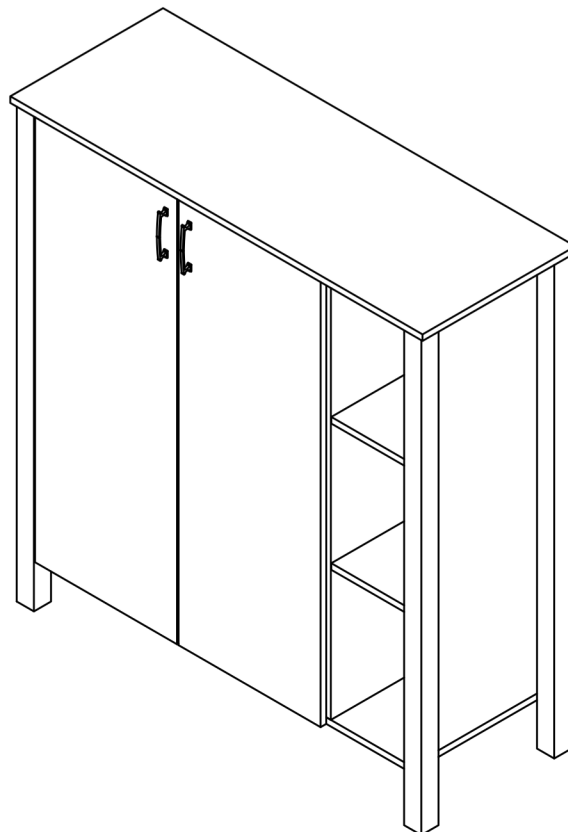
# ASSEMBLY INSTRUCTION

## STEP 12

Put the (5) ,(6) on the (E) which between (2),(3),and (4) as shown.



## STEP 13



**ASSEMBLY COMPLETED**

# WALL STUD

## SAFETY BRACKET INSTRUCTIONS

Part Enclosed :  
A) Bracket

B) Safety Strap

C) 50mm Pan Head Screw

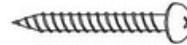
D) 17mm Pan Head Screw



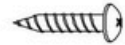
2x



1x



1x



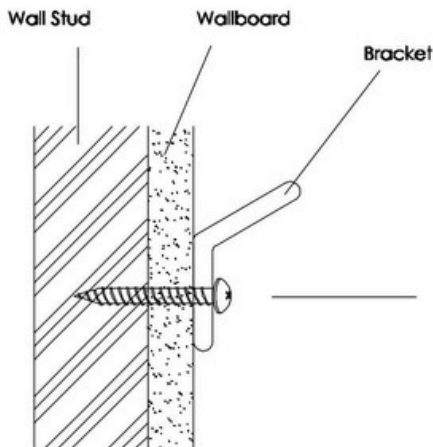
1x

**IMPORTANT:** Tipping can injure young children. Use of this safety hardware is highly recommended. This safety hardware, when properly installed, can provide furniture protection against unexpected accidental tipping of furniture due to improper use.

### Step 1

Attach a bracket to the wall board with the 2" screw provided:

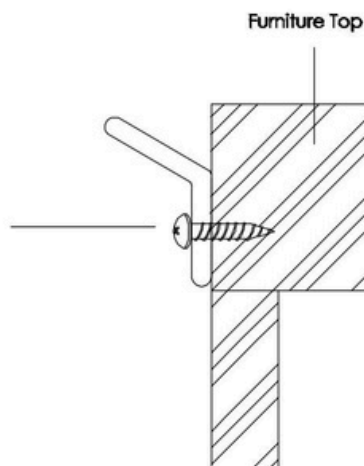
- . It is recommended that you locate a wall stud behind the furniture unit. If the wall stud is not used, a suitable "Hollow-Wall Anchor Bolt" (not provided) should be used in lieu of the wall stud.
- . Position the wall bracket on the stud about 1" below the top of furniture piece.
- . Mark the position for the bracket placement on the wall and drill a pilot hole into the stud.
- . Attach the bracket to the back of the furniture with the 2" screws provided.



### Step 2

To attach a bracket to the Furniture Frame below to top with the short screws provided :

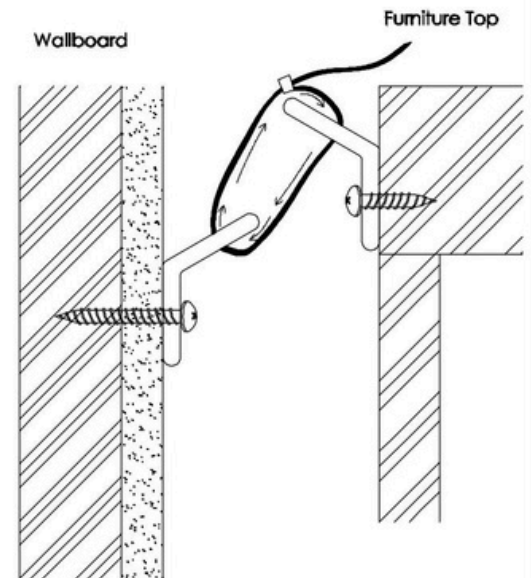
- . Move the furniture piece temporarily to its final position to the wall.
- . Mark the location of the bracket on the back of the furniture in relation to the previously mounted wall bracket.
- . Move the furniture piece away from the wall mounted bracket and place the other bracket on the mark position on the back of the furniture piece.
- . Drill a pilot hole as shown in the figure or into the back furniture frame.
- Caution: Mark sure you do not drill completely through the back of the furniture.
- . Attach the bracket to the back of the furniture with the 5/8" screws provided.



### Step 3

To Attach the safety strap:

- . Move the furniture back to its final position.
- . Thread the safety strap through both of the mounted brackets as shown in the illustration.
- . Tighten the strap unit snug.
- . Do not over tighten.



**IMPORTANT:** Make sure the brackets are firmly attached to the wall stud and furniture frame and the safety strap is snug.

**Warning:** This product is not be a substitute for proper parental supervision which is the only proper deterrent to prevent improper use of this unit. The manufacturer assumes no liability for improper installation or excessive loads placed on the safety straps, bracket or mounting screws. This hardware will not insure against tipping.

**Note:** For taller or heavier pieces of furniture, two safety brackets may be installed.