

NOTICE

- *Please make sure that you have all parts indicated and they are in good condition before you begin assembly of this item. Refer to part list and hardware list below for guidance.
- *This item should be assembled on a soft surface to prevent scratching the finish during assembly.
- *This item may require periodic tightening.
- *If you are having difficulty, our friendly Customer Care team is always here to help.

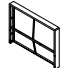



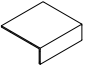

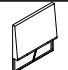



PREPARATION

- *Before beginning assembly of product, make sure all parts are present. Compare parts with part contents list and hardware contents list.
- *If any part is missing or damaged, do not attempt to assemble the product.
- *Tools Required for Assembly (included): Allen Key
- *Estimated Assembly Time: 10 minutes.

CARE AND MAINTENANCE

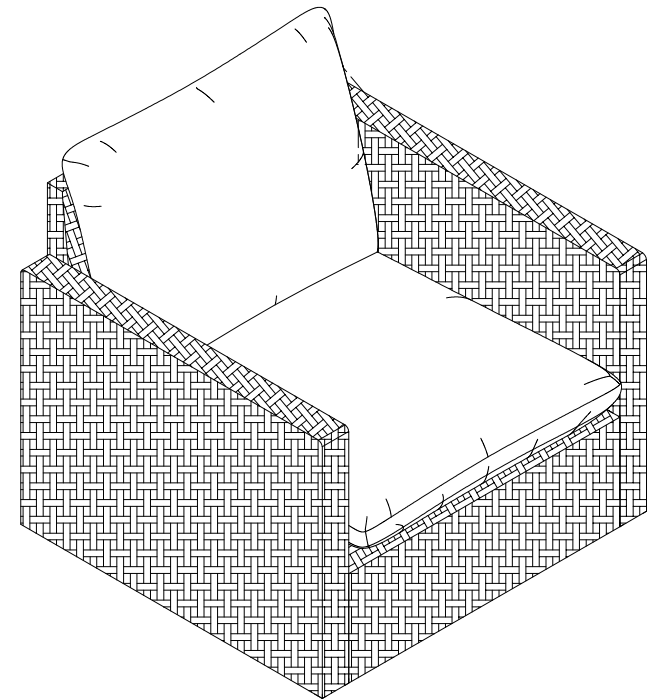
Store outdoor furniture indoors or cover well when not in use. Dust regularly with small brush or vacuum. Spills should be taken care of immediately before they harden or stain with a slightly damp sponge.

Part List and Hardware List

PIECE	DESCRIPTION	PICTURE	QUANTITY	PIECE	DESCRIPTION	PICTURE	QUANTITY
A	Arm Right Frame		1x	HW1	Allen Bolt (M6x45)		14x
B	Arm Left Frame		1x	HW2	Allen Bolt (M6x110)		2x
C	Seat Frame		1x	HW3	Flat Washer (M6)		16x
D	Back Frame		1x	HW4	Allen Key (4x75)		1x
CSH1	Seat Cushions		1x				
CSH2	Back Cushions		1x				

Installation & Assembly

35.03"L x 31.88"W x 29.92"H



WARNING



Weight capacity : 275 Lbs (single seat)

Warning : Do not stand on chair

Warning : Do not over torque bolts/screws

PREPARATION

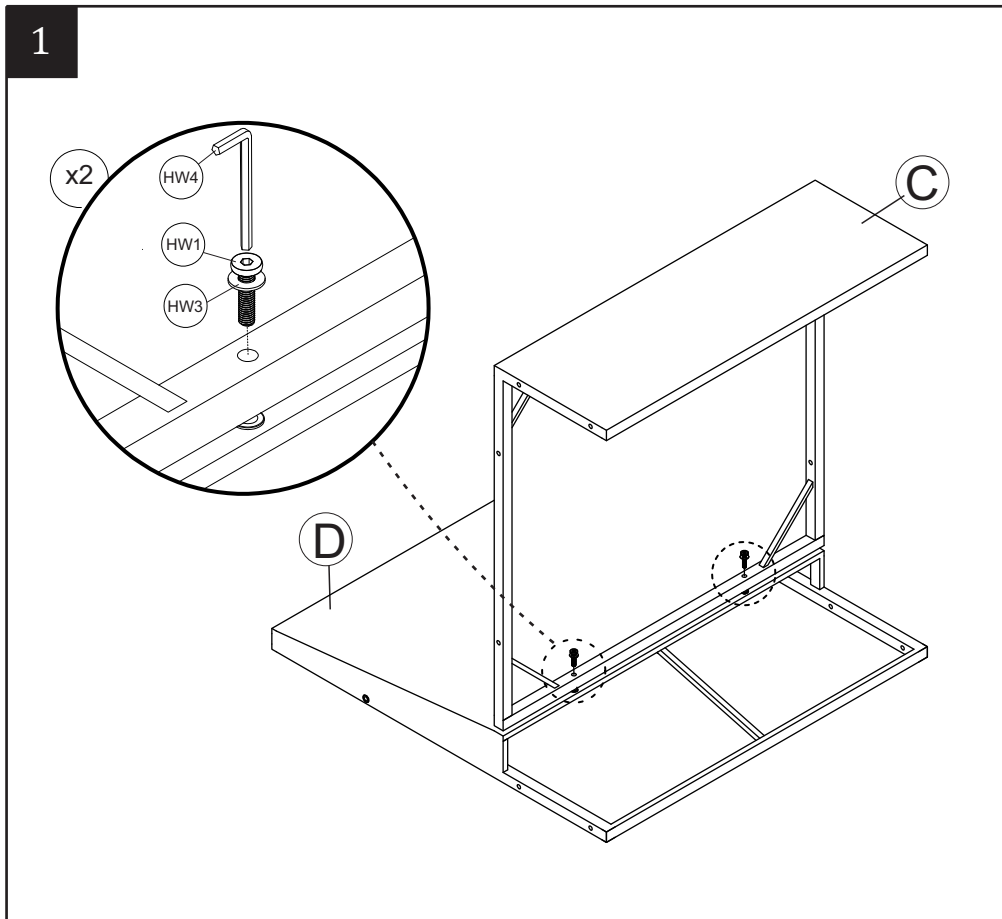
*Before beginning assembly of product, make sure all parts are present. Compare parts with part contents list and hardware contents list.

*If any part is missing or damaged, do not attempt to assemble the product.

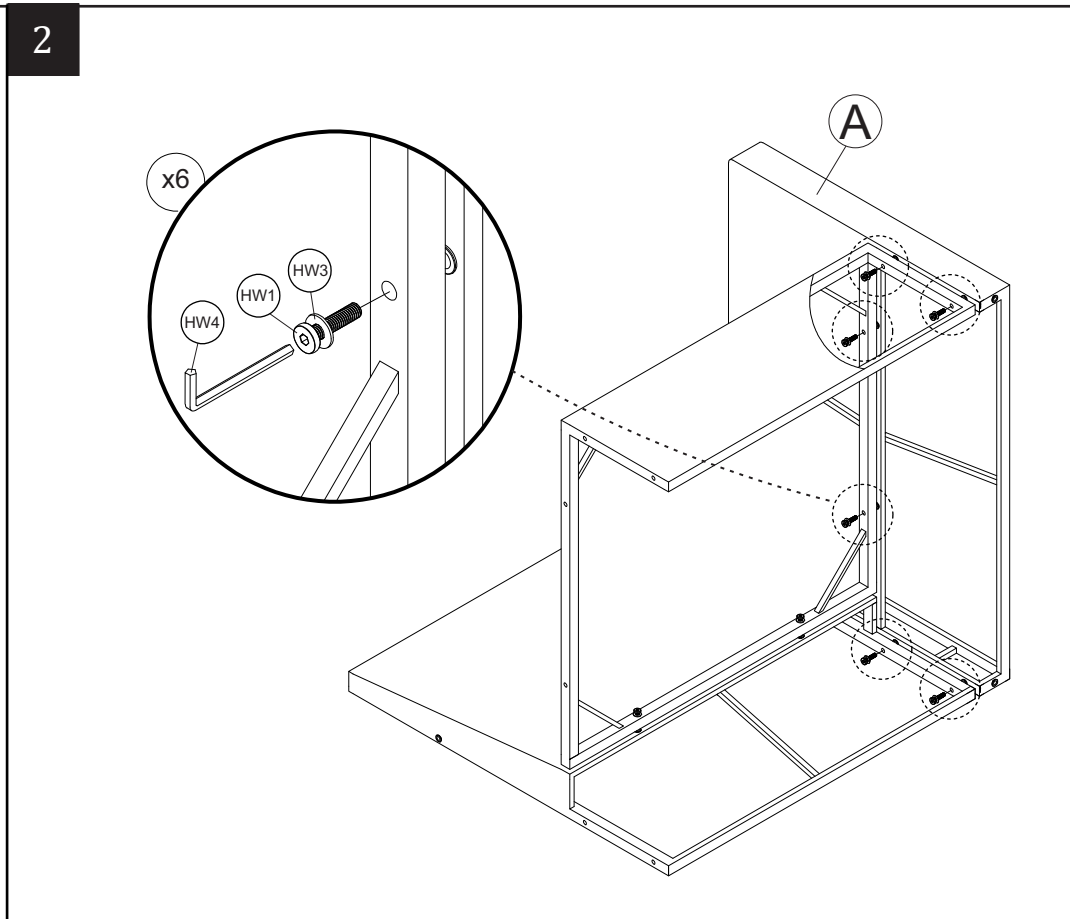
*Estimated Assembly Time : 10 minutes.

*Tools Required for Assembly (included): Allen Key

*If you are having difficulty, our friendly Customer care team is always here to help.



STEP 1: On a soft surface, align the screw holes on the Back Frame (D) to the screw holes on the Seat Frame (C). Place the Flat Washer (HW3) on the Allen Bolt (HW1) in the order shown below. Use the Allen Key (HW4) to screw in the Bolts (HW1) with the washers attached.



STEP 2: Align the screw holes on the Back Frame (D) and on the Seat Frame (C) to the screw holes on the Arm Right Frame (A). Place the Flat Washer (HW3) on the Allen Bolts (HW1) in the order shown below. Use the Allen Key (HW4) to screw in the Bolts (HW1) with the washers attached.

PREPARATION

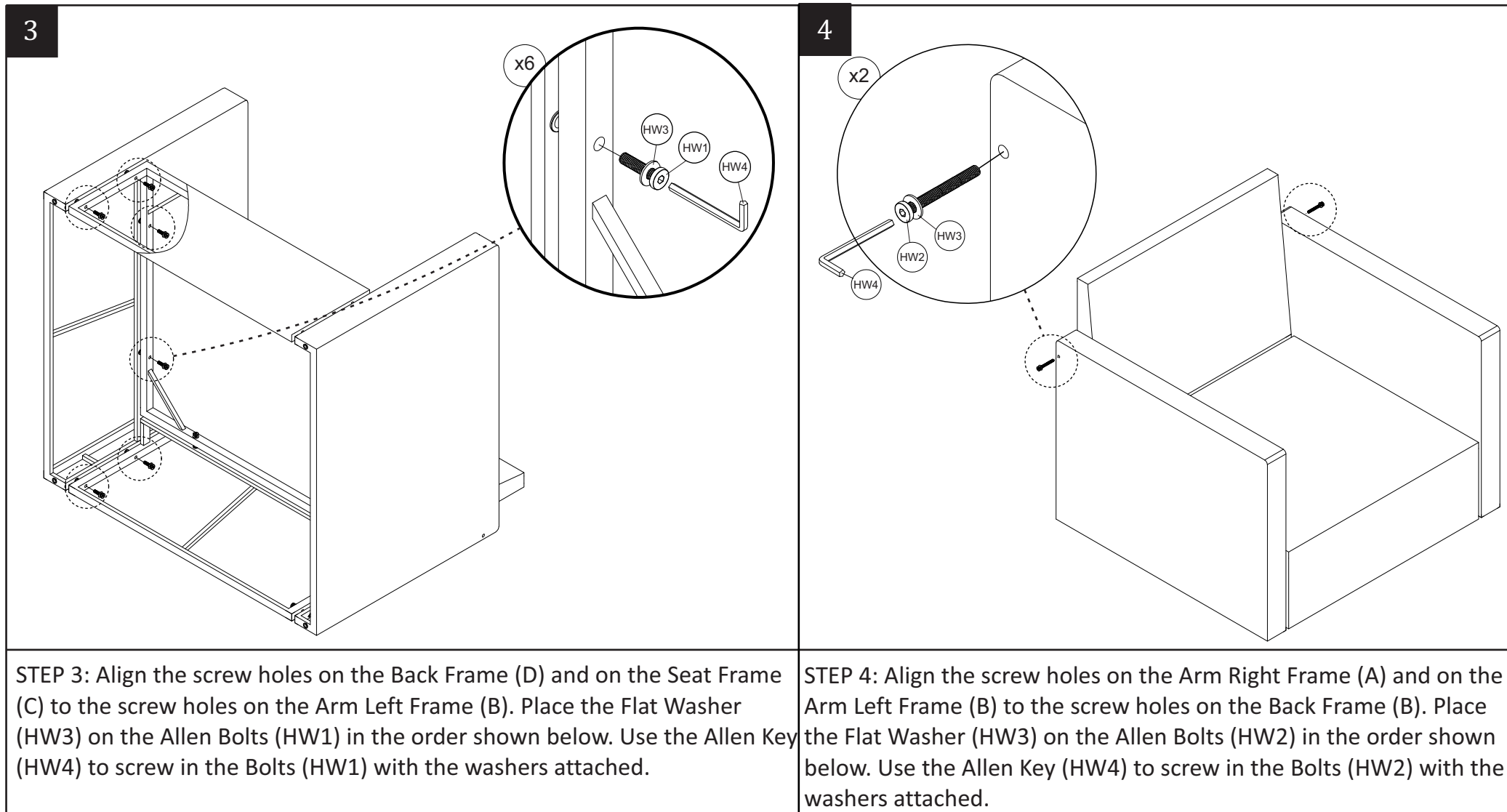
*Before beginning assembly of product, make sure all parts are present. Compare parts with part contents list and hardware contents list.

*If any part is missing or damaged, do not attempt to assemble the product.

*Estimated Assembly Time : 10 minutes.

*Tools Required for Assembly (included): Allen Key

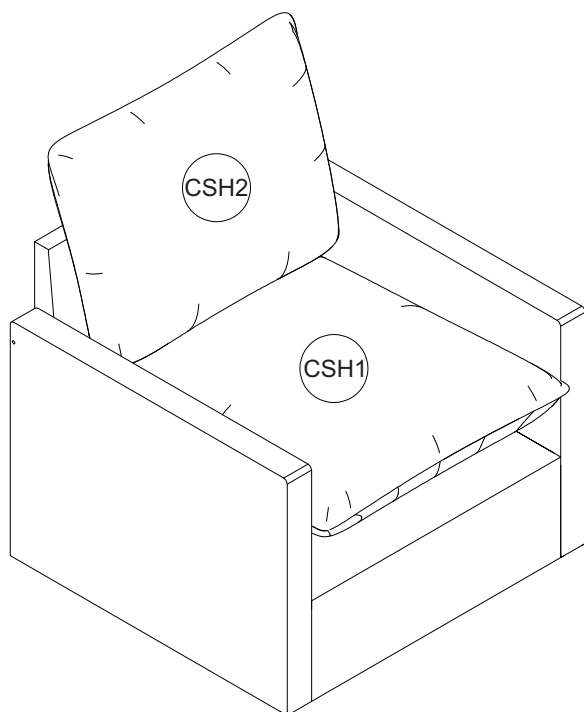
*If you are having difficulty, our friendly Customer care team is always here to help.



PREPARATION

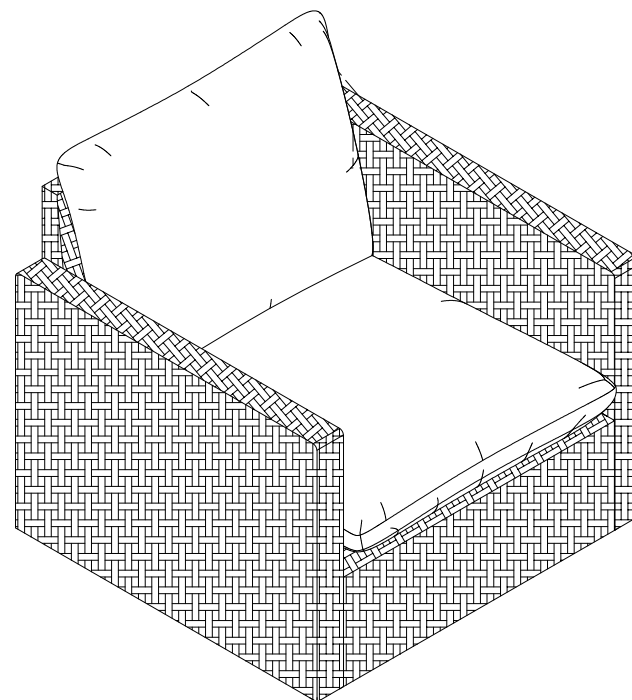
- *Before beginning assembly of product, make sure all parts are present. Compare parts with part contents list and hardware contents list.
- *If any part is missing or damaged, do not attempt to assemble the product.
- *Estimated Assembly Time : 10 minutes.
- *Tools Required for Assembly (included): Allen Key
- *If you are having difficulty, our friendly Customer care team is always here to help.

5



STEP 5: Place the Seat Cushion (CSH1) the Back Cushion (CSH2) on the assembled chair frame.

6



STEP 6: Finishing for using