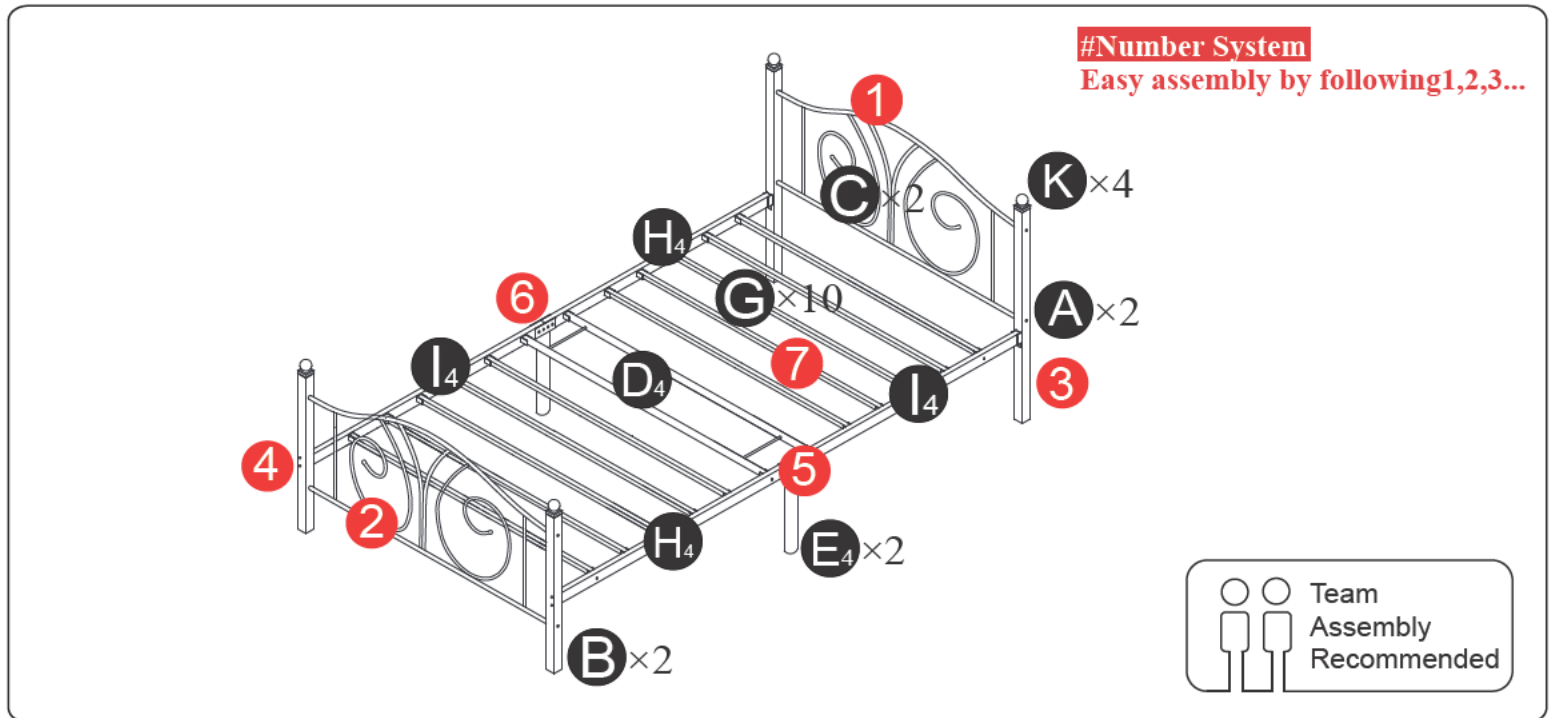
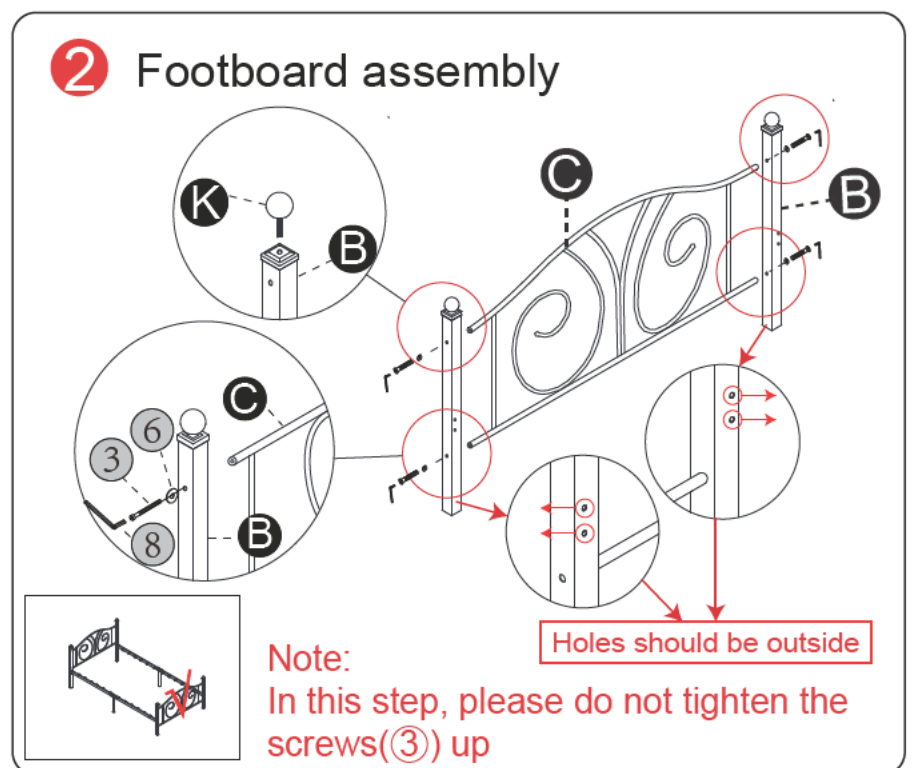
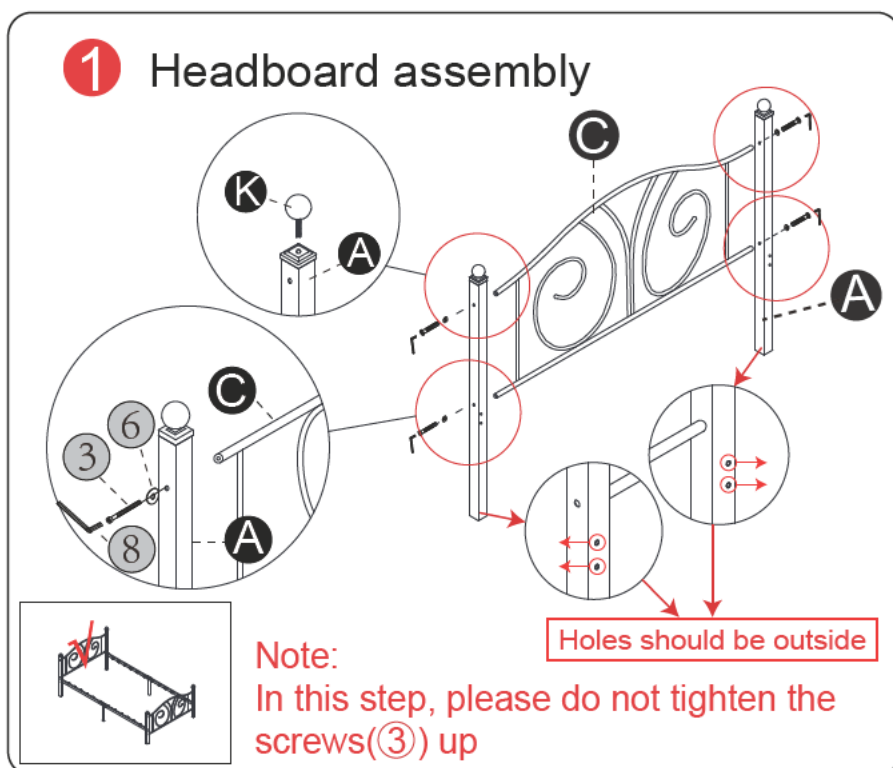


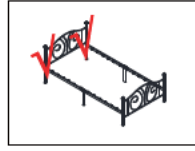
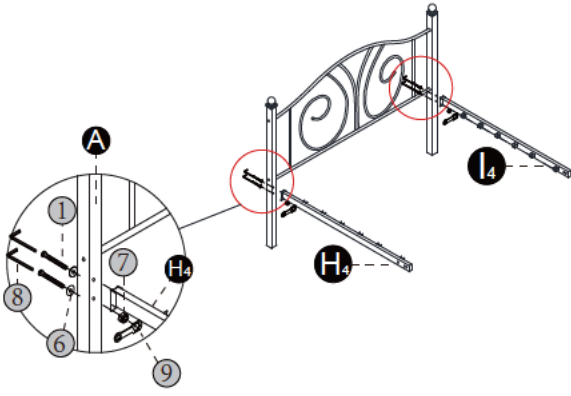
# Bed Frame Installation Manual



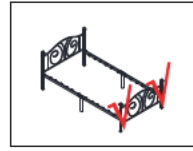
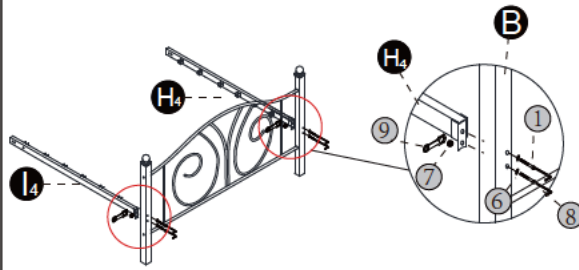
Componets	Screws & Tools
..... A x2	①  M8x50mm x8
..... B x2	②  M8x35mm x8
..... C x2	③  M6x60mm x8
..... D4 x1	④  M6x40mm x4
..... E4 x2	⑤  M6x15mm x4
..... G x10	⑥  x16
..... H4 x2	⑦  M8 x12
..... I4 x2	⑧  M5 x1
..... K x4	⑨  M13/M10 x1



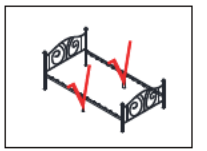
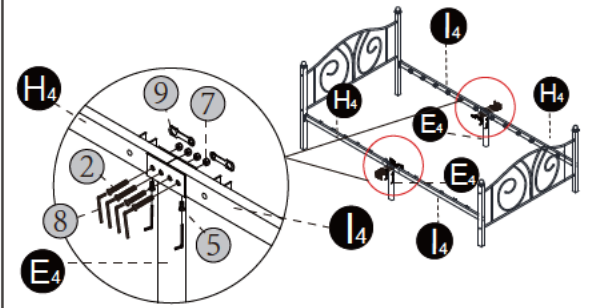
**3** Connect **H<sub>4</sub>** & **L<sub>4</sub>** to headboard



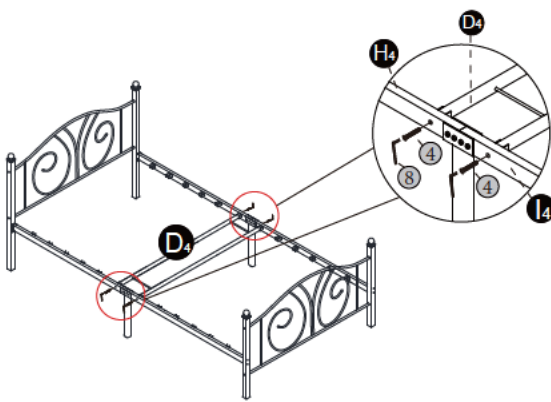
**4** Connect **H<sub>4</sub>** & **L<sub>4</sub>** to footboard



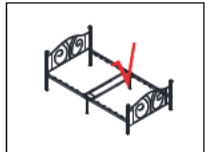
**5** Connect **E<sub>2</sub>** to **H<sub>4</sub>** & **L<sub>4</sub>**



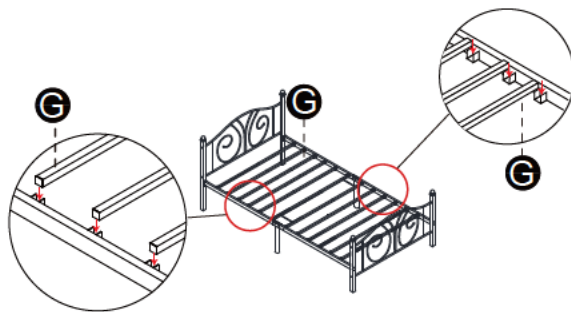
**6** Connect **D<sub>2</sub>** to **H<sub>4</sub>** & **L<sub>4</sub>**



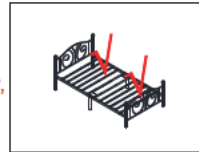
Note:  
In this step, please do not tighten the screws(4) up



**7** Assemble bed slats



Note:  
If the bed slats cannot be inserted easily,  
loosen the screws (step 1 2 6 )



**8** Check and tighten all screws

