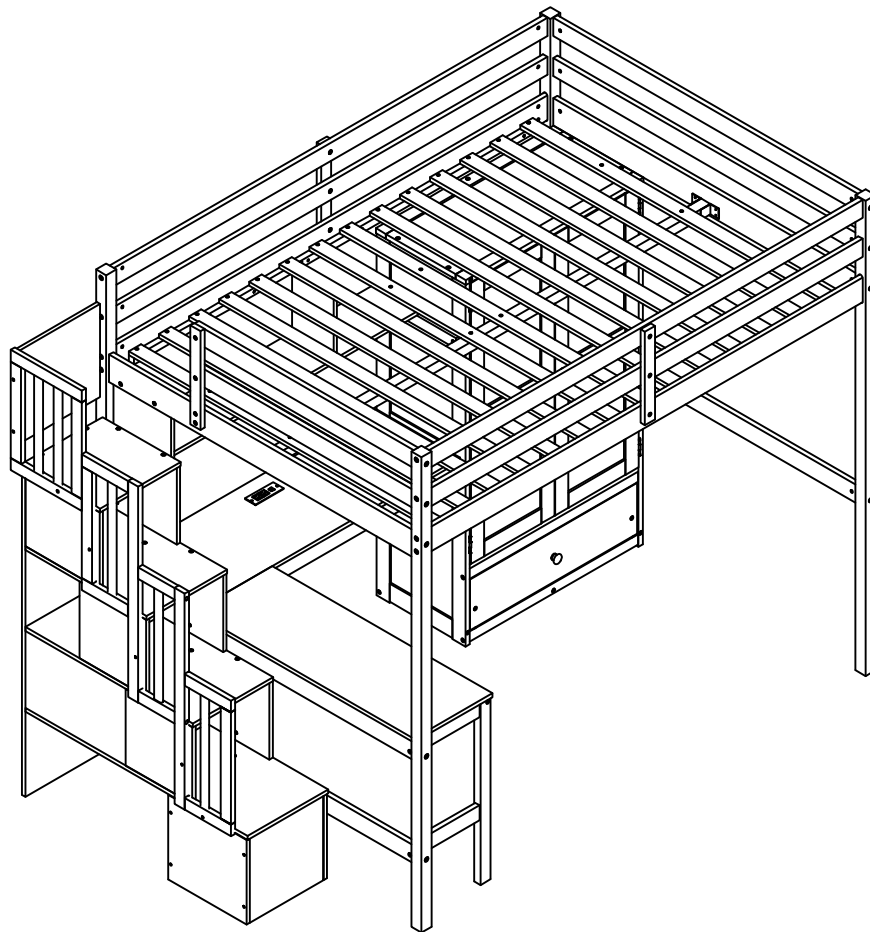


ASSEMBLY INSTRUCTIONS

FULL LOFT BED WITH DESK, WARDROBE, STAIRS AND USB



SA11840



SAFETY WARNING



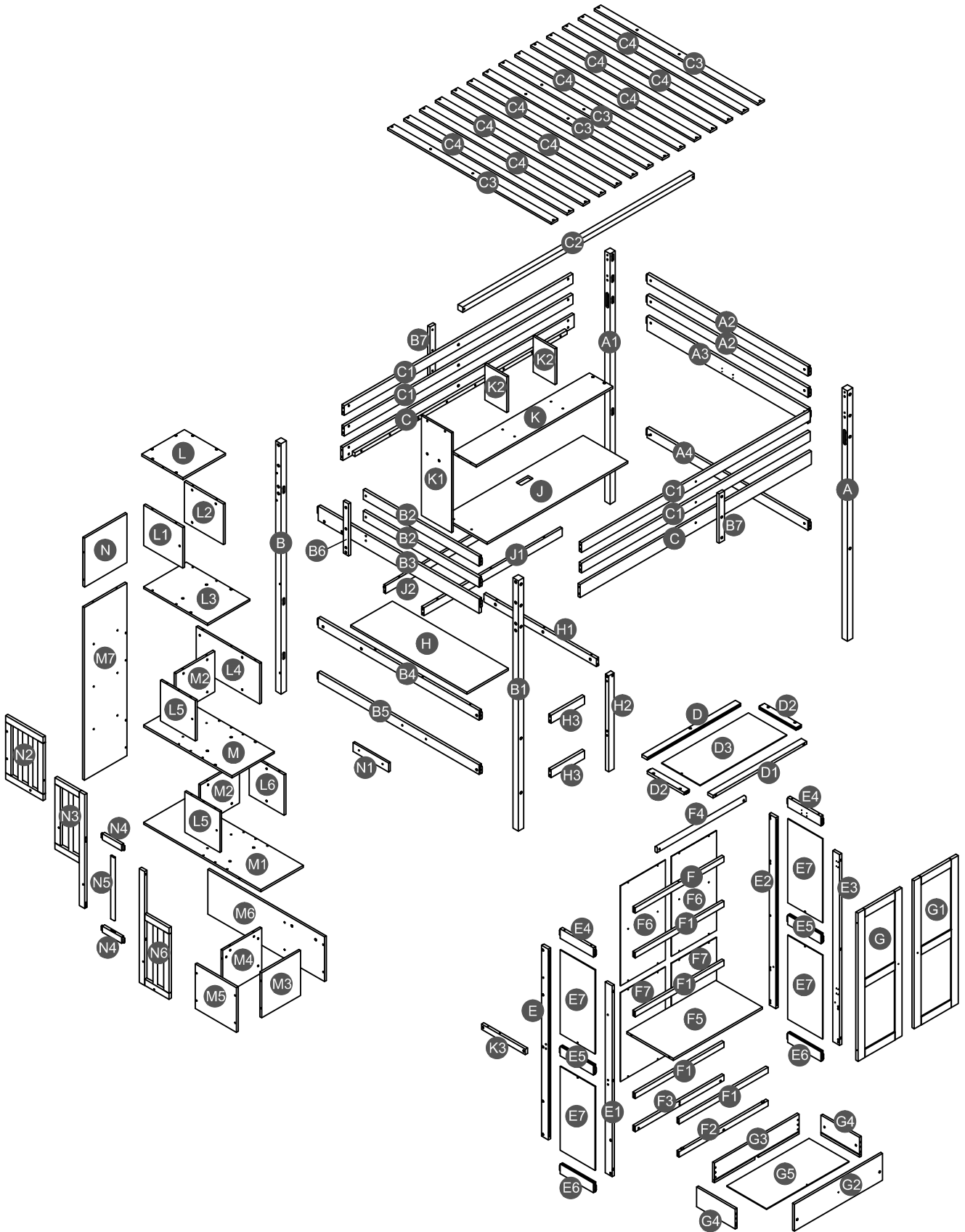
1. This bed is designed for use only mattress (es) meeting the following specifications on the upper bunk:

Up bed (Bunk bed and tribed included)

Bed type	Length	Width	Thickness
Full Standard	74"-75"	54"	6" max

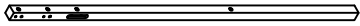

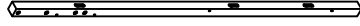
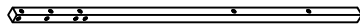
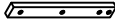



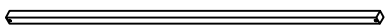

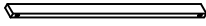





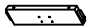


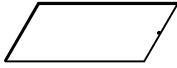

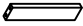



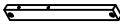

2. Replacement parts, including additional guardrails, maybe obtained from any of our dealers of GigaCloud Technology , USA /18961 ARENTH AVENUE,CITY OF INDUSTRY, CA, 91748
3. Follow the information on the warnings appearing on the upper bunk bed end structure and on the carton. Do not remove warning label from bed.
4. Always use the recommended size mattresses or mattress supports, or both, to help prevent the likelihood of entrapment or falls.
5. Surface of mattress must be at least 5" (127mm) below the upper edge of guardrails.
6. Do not allow children under 6 years of age to use the upper bunk.
7. Periodically check and ensure that the guardrail, ladder, and other components are in their proper position, free from damage, and that all connectors are tight.
8. Do not allow horseplay on or under the bed and prohibit jumping on the bed.
9. Always use the ladder for entering and leaving the upper bunk.
10. Do not use substitute part. Contact the manufacture or dealer for replacement part.
11. Use of a night light may provide added safety precaution for a child using the upper bunk.
12. Always use guardrails on both long sides of the upper bunk. If the bunk bed will be placed next to the wall, the guardrail that runs the full length of the bed should be placed against the wall to prevent entrapment between the bed and wall.
13. The use of water or sleep flotation mattresses is prohibited.
14. STRANGULATION HAZARD - Never attach or hang items to any part of the bunk bed that are not designed for use with the bed; for example, but not limited to, hook, belts and jump ropes.
15. Keep these instruction for future reference.
16. Prohibit more than one person on upper bunk
17. We recommend assembling your bunk bed on the shipping carton to protect your floor or carpet.
18. Be certain all staples are out of the box before beginning assembly on the shipping carton.

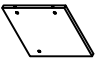
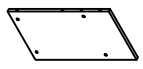
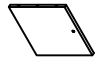
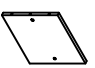
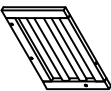
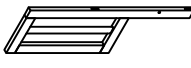
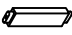
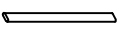

Detail View





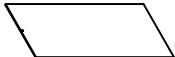
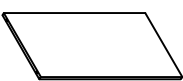
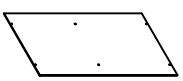
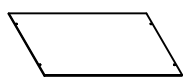
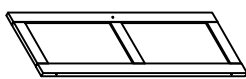
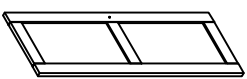
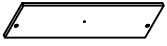

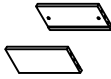
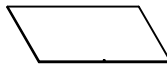
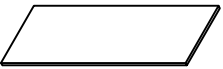
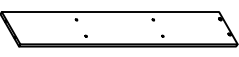
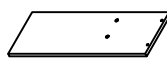
Part List

SA11840 (1-3)

<p>A</p>  <p>Leg HB (Right front) - 1pc</p>	<p>A1</p>  <p>Leg HB (Right back) - 1pc</p>	<p>B</p>  <p>Leg FB (Left back) - 1pc</p>
<p>B1</p>  <p>Leg FB (Left front) - 1pc</p>	<p>B6</p>  <p>Vertical guard rail - 1pc</p>	<p>B7</p>  <p>Vertical guard rail - 2pcs</p>
<p>C</p>  <p>Side rail - 2pcs</p>	<p>C1</p>  <p>Long guard rail - 4pcs</p>	<p>C2</p>  <p>Lower support slat - 1pc</p>
<p>D</p>  <p>Upper horizontal bar (back) - 1pc</p>	<p>D1</p>  <p>Upper horizontal bar (front) - 1pc</p>	<p>D2</p>  <p>Upper horizontal bar (left/right) - 2pcs</p>
<p>E</p>  <p>Vertical bar (left back) - 1pc</p>	<p>E1</p>  <p>Vertical bar (left front) - 1pc</p>	<p>E2</p>  <p>Vertical bar (right back) - 1pc</p>
<p>E3</p>  <p>Vertical bar (right front) - 1pc</p>	<p>E4</p>  <p>Upper horizontal bar - 2pcs</p>	<p>E5</p>  <p>Divider horizontal bar - 2pcs</p>
<p>E6</p>  <p>Lower horizontal bar - 2pcs</p>	<p>E7</p>  <p>Side panel (Wardrobe) - 4pcs</p>	<p>H1</p>  <p>Apron - 1pc</p>
<p>H3</p>  <p>Horizontal bar (front) - 2pcs</p>	<p>J1</p>  <p>Apron (front) - 1pc</p>	<p>J2</p>  <p>Apron (back) - 1pc</p>
<p>K2</p>  <p>Divider panel - 2pcs</p>	<p>K3</p>  <p>Support bar - 1pc</p>	<p>L1</p>  <p>Upper left side panel - 1pc</p>


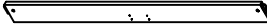
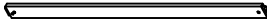


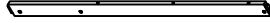

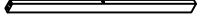


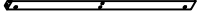
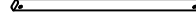
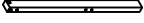

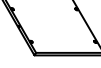
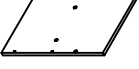
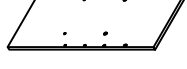
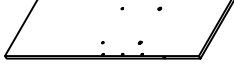
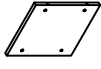



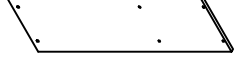



L2  Upper right side panel - 1pc	L4  Upper center right side panel - 1pc	L5  Center left side panel - 2pcs
L6  Lower center right side panel - 1pc	N2  Guard rail -1pc	N3  Guard rail -1pc
N4  Guard rail - 2pcs	N5  Guard rail -1pc	N6  Guard rail -1pc

Hardware List SA11840 (2-3)

C3  Slats - 4pcs	C4  Slats - 10pcs	D3  Top panel (Wardrobe) - 1pc
F5  Shelf panel (Wardrobe) - 1pc	F6  Upper back panel (Wardrobe) - 2pcs	F7  Lower back panel (Wardrobe) - 2pcs
G  Door (left) - 1pc	G1  Door (right) - 1pc	G2  Drawer front - 1pc
G3  Drawer back - 1pc	G4  Drawer (left/right) - 2pcs	G5  Drawer bottom - 1pc
H  Top table - 1pc	K  Shelf panel - 1pc	K1  Side panel (left) - 1pc

Part List

SA11840 (3-3)

<p>A2</p>  <p>Upper horizontal bar HB - 2pcs</p>	<p>A3</p>  <p>Divider horizontal bar HB - 1pc</p>	<p>A4</p>  <p>Lower horizontal bar HB - 1pc</p>
<p>B2</p>  <p>Upper horizontal bar FB - 2pcs</p>	<p>B3</p>  <p>Upper horizontal bar FB - 1pc</p>	<p>B4</p>  <p>Divider horizontal bar FB - 1pc</p>
<p>B5</p>  <p>Lower horizontal bar FB - 1pc</p>	<p>F</p>  <p>Upper horizontal bar (back) - 1pc</p>	<p>F1</p>  <p>Divider horizontal bar - 4pcs</p>
<p>F2</p>  <p>Lower horizontal bar (front) - 1pc</p>	<p>F3</p>  <p>Lower horizontal bar (back) - 1pc</p>	<p>F4</p>  <p>Hanging bar - 1pc</p>
<p>H2</p>  <p>Leg table (front) - 1pc</p>	<p>J</p>  <p>Top table - 1pc</p>	<p>L</p>  <p>Upper step ladder panel -1pc</p>
<p>L3</p>  <p>Upper center step ladder panel -1pc</p>	<p>M</p>  <p>Lower center step ladder panel -1pc</p>	<p>M1</p>  <p>Lower step ladder panel -1pc</p>
<p>M2</p>  <p>Center back panel - 2pcs</p>	<p>M3</p>  <p>Lower front panel - 1pc</p>	<p>M4</p>  <p>Lower back panel - 1pc</p>
<p>M5</p>  <p>Lower left side panel - 1pc</p>	<p>M6</p>  <p>Lower right side panel - 1pc</p>	<p>M7</p>  <p>Back panel - 1pc</p>
<p>N</p>  <p>Upper guard back - 1pc</p>	<p>N1</p>  <p>Support - 1pc</p>	

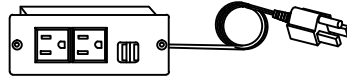
Hardware List SA11840 (2-3)

1	 Ø10*40mm Wood dowel (8pcs)	2	 Ø10*20mm Wood dowel (1pc)	3	 Ø8*30mm Wood dowel (45pcs)
4	 (Ø15)1/4"*100mm Hex-Head bolts (16pcs)	5	 (Ø15)1/4"*80mm Hex-Head bolts (23pcs)	6	 (Ø12)1/4"*60mm Hex-Head bolts (80pcs)
7	 (Ø12)1/4"*40mm Hex-Head bolts (4pcs)	8	 (Ø12)1/4"*30mm Hex-Head bolts (17pcs)	9	 (Ø12)1/4"*15mm Hex-Head bolts (2pcs)
10	 1/4"*15 (9.5mm) Horizontal-Hole bolts(118pcs)	11	 (Ø12)1/4"*65mm Hex-Head bolts (16pcs)	12	 (Ø12)1/4"*50mm Hex-Head bolts (2pcs)
13	 (Ø12)1/4"*40mm Hex-Head bolts (13pcs)	14	 Ø4*30mm Wood screws (34pcs)	15	 Ø3.5*15mm Wood screws (61pcs)
16	 Ø3.5*15mm Wood screws (20pcs)	17	 (Ø13)1/4"*14mm Connect bolt (4pcs)	18	 116*40*27mm Metal bracket (2pcs)
19	 63*40*30mm Metal bracket (2pcs)	20	 40*17*17*1.6mm Metal bracket (1pc)	21	 42*12*1mm Metal magnet (2pcs)
22	 70*37*28mm (135°) Metal bracket (4pcs)	23	 140*41*21mm Stopper door (1pc)	24	 Ø38*31mm Pine Knob (3pcs)
25	 3/16"*25mm Ph zinc(Knob) (3pcs)	26	 24*28*28*2mm Metal bracket (2pcs)	27	 365*58*28 mm Lower slider drawer (1pc)

28

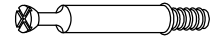
340*30mm

Upper slider drawer (1pc)

29

1500*125*47*43mm

Power outlet

30

Ø7"*35mm

Cam lock (16pcs)

31

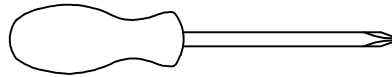
Ø14*9mm

Cam lock (16pcs)

32





(1/4")4.5*58mm

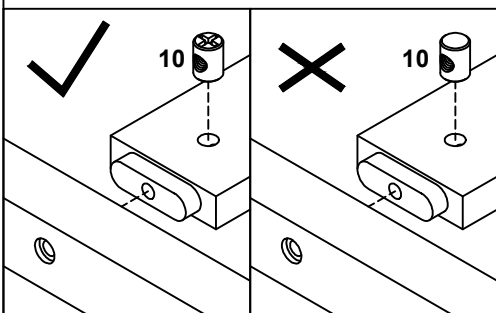
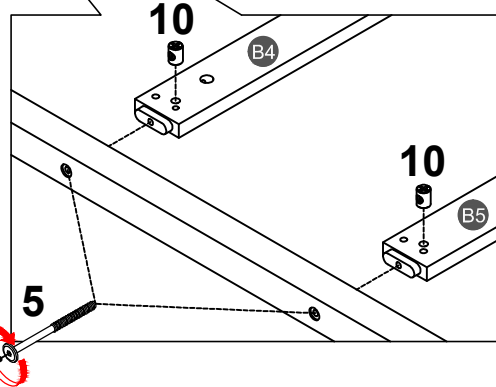
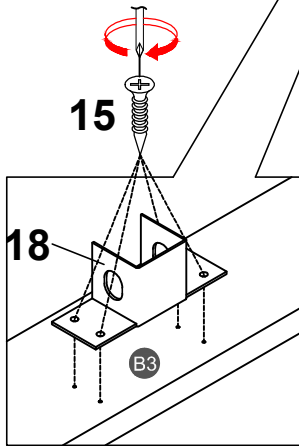
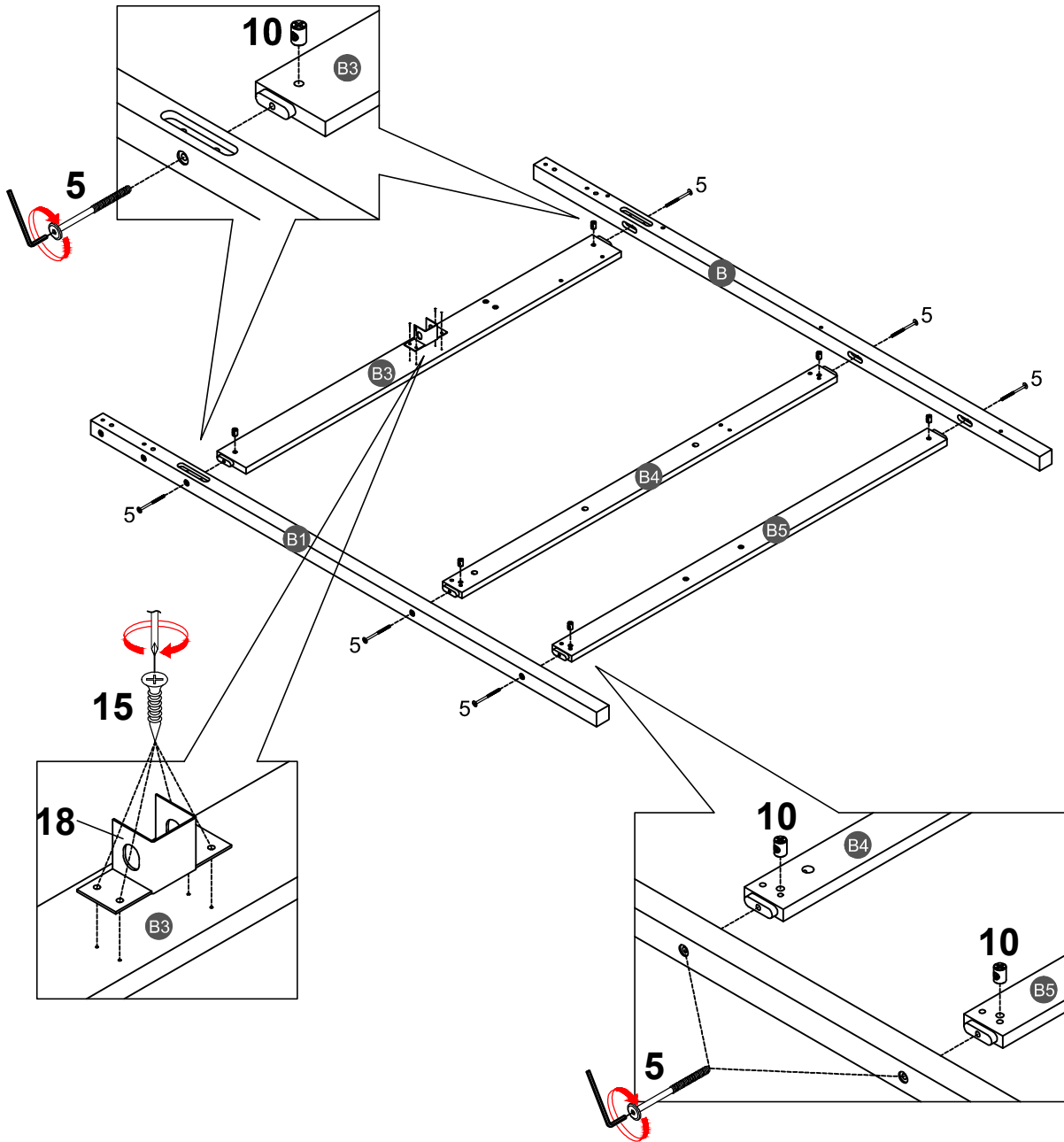
Allen key (2pcs)

ASSEMBLY TOOLS REQUIRED (NOT INCLUDED)




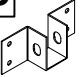
PLEASE BE CAREFUL DO NOT DAMAGE THE HOLE
POSITION WHEN YOU USE POWER TOOLS !

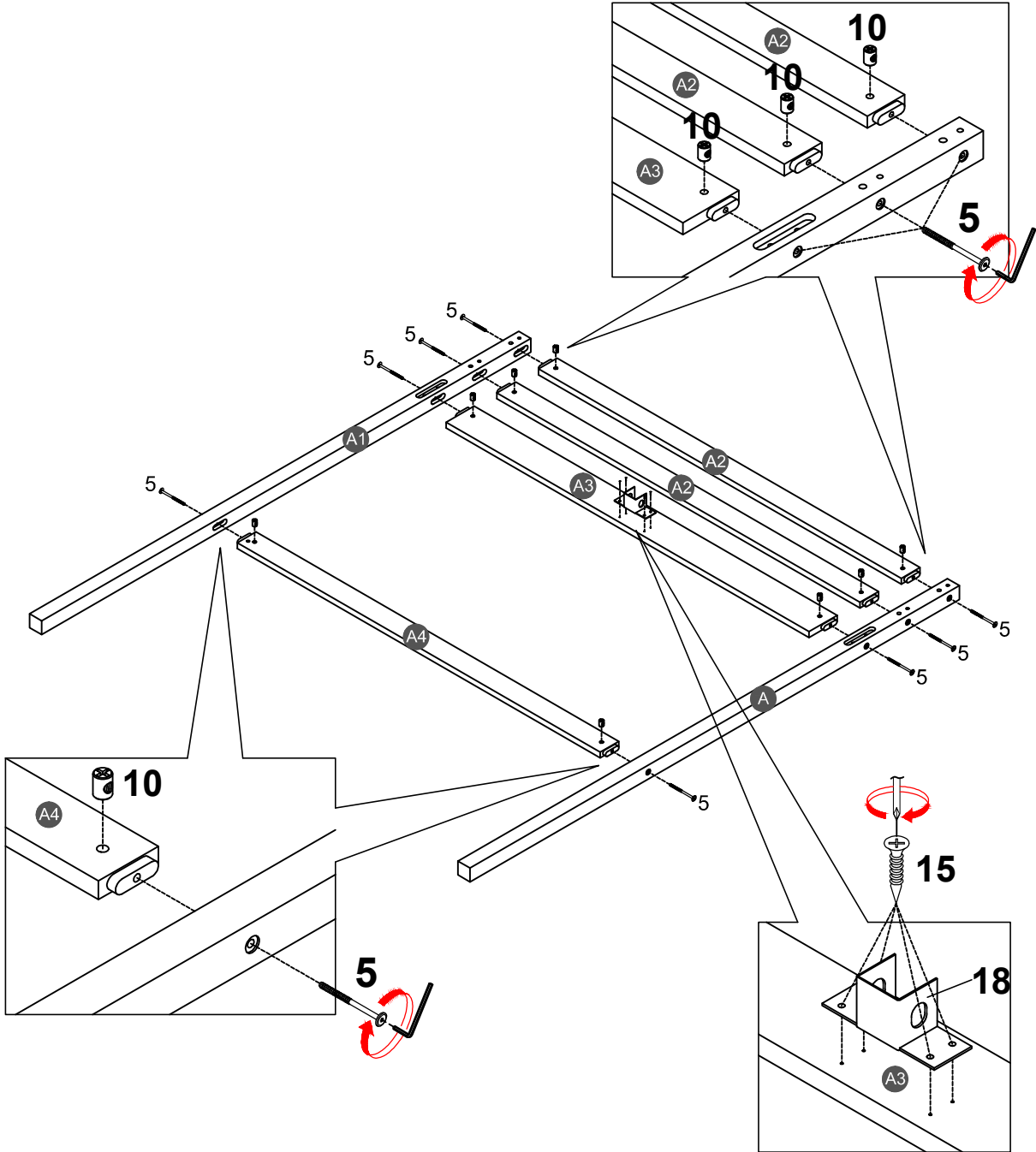
STEP 1:

5		10		15		18	
6PCS		6PCS		4PCS		1PC	






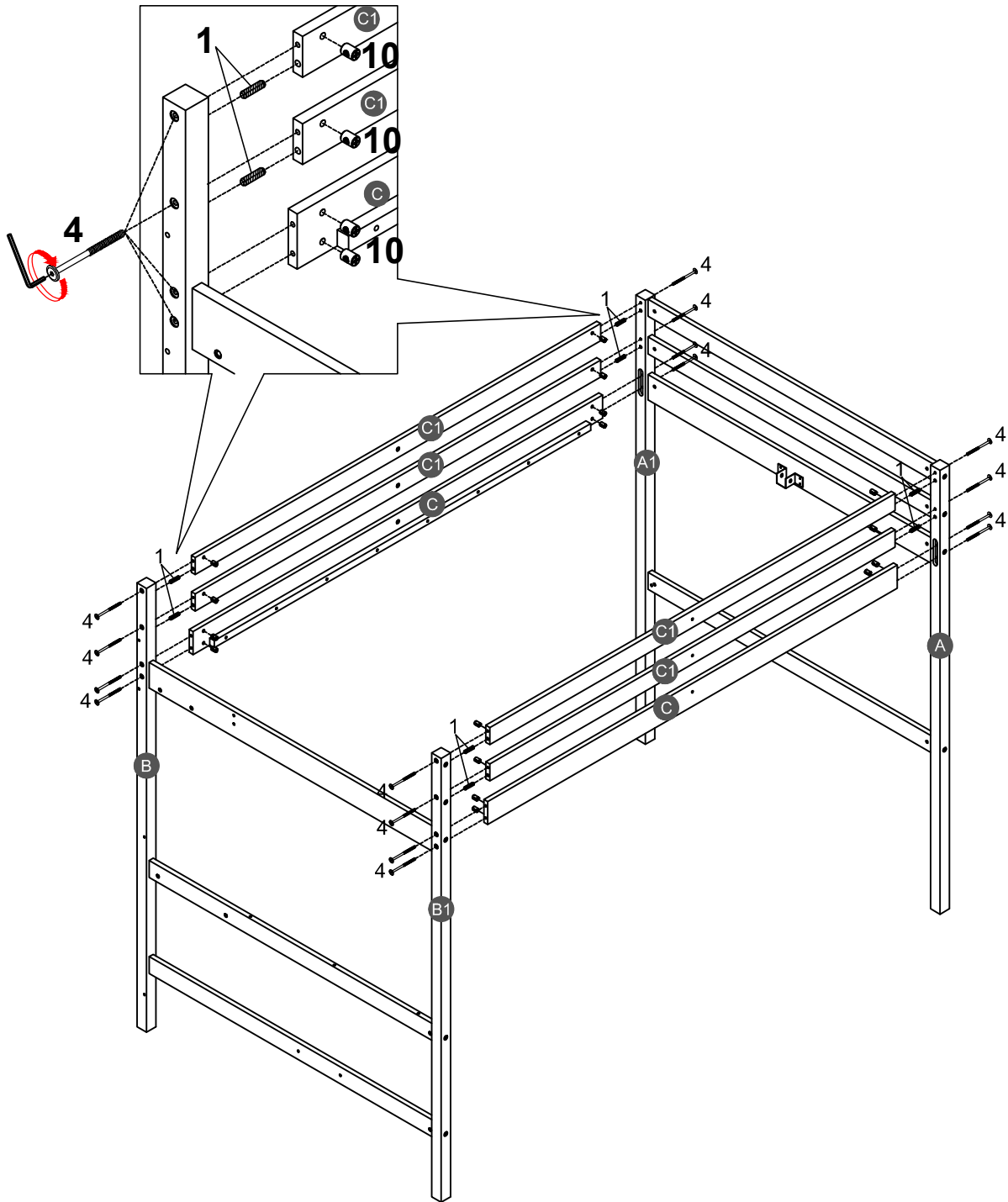
STEP 2:

5		10		15		18	
8PCS		8PCS		4PC		1PC	

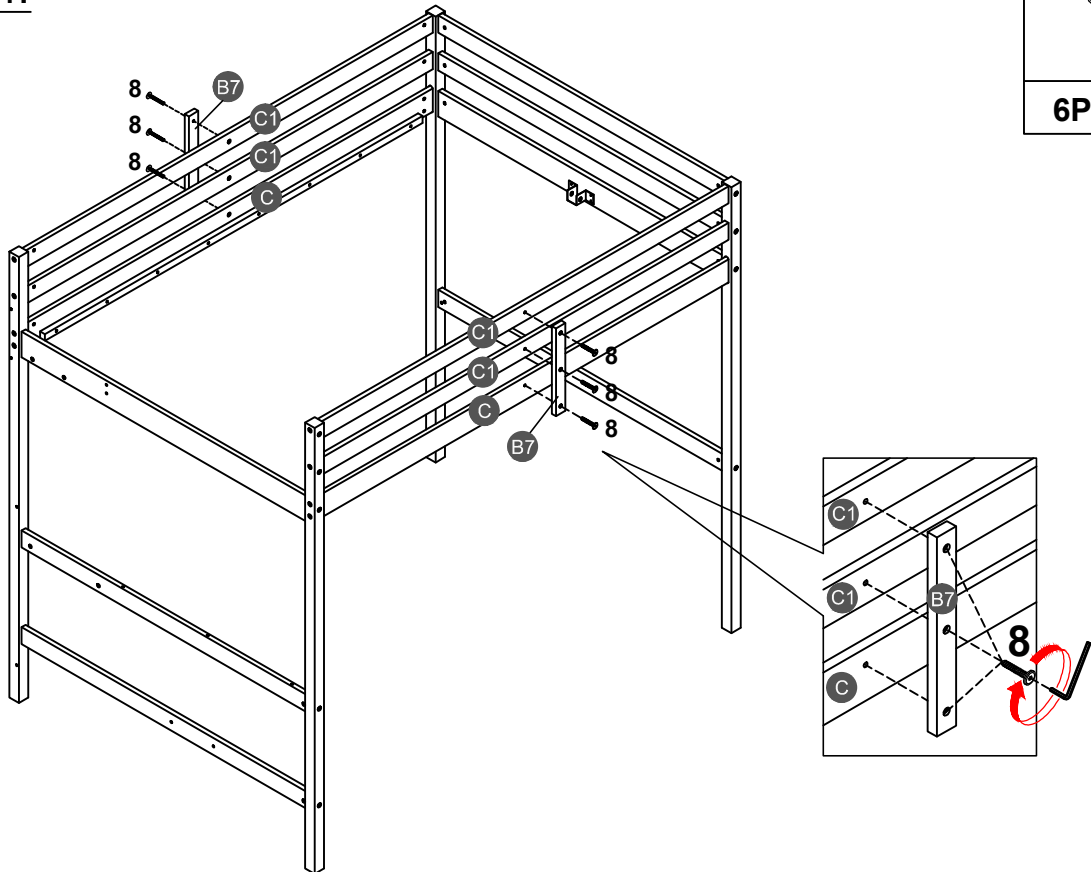


STEP 3:

1 	4 	10 
8PCS	16PCS	16PCS



STEP 4:

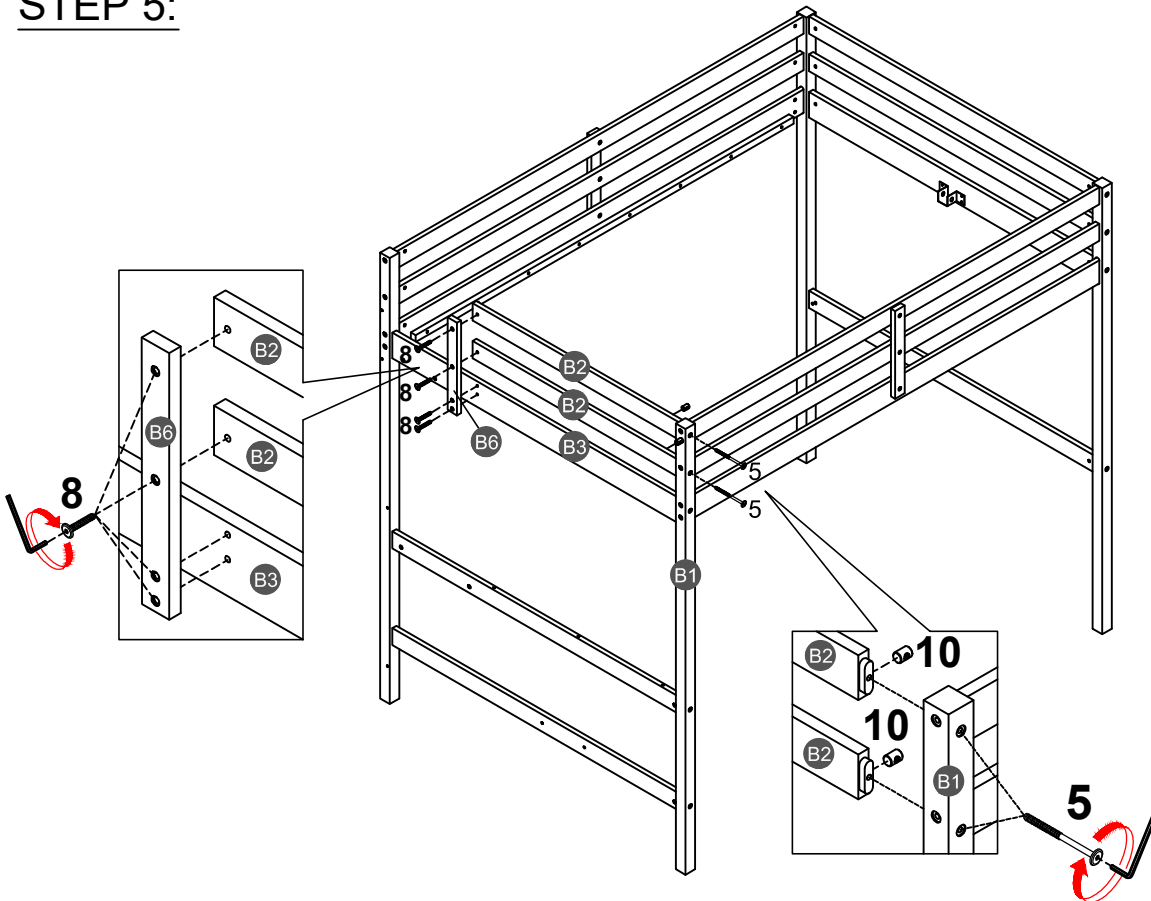


8



6PCS

STEP 5:



8



4PCS

5



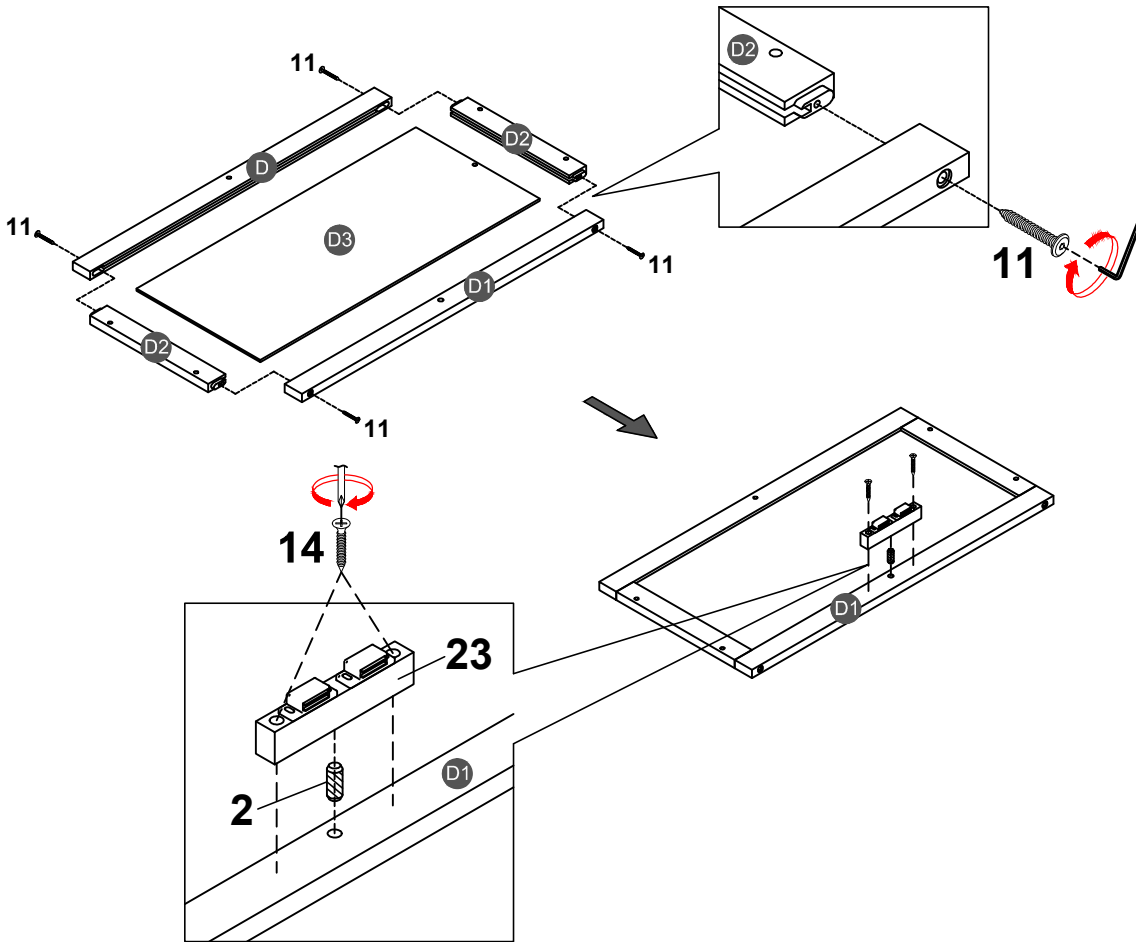
2PCS





10



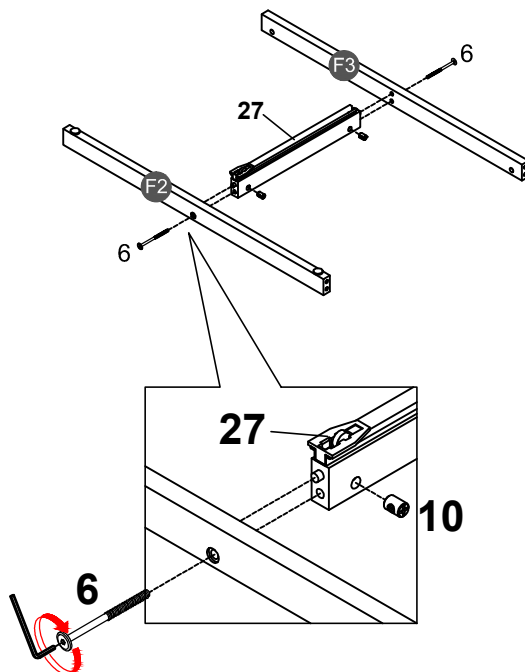
2PCS




STEP 6:




2	
	1PCS
11	
	4PCS
14	
	2PCS
23	
	1PC

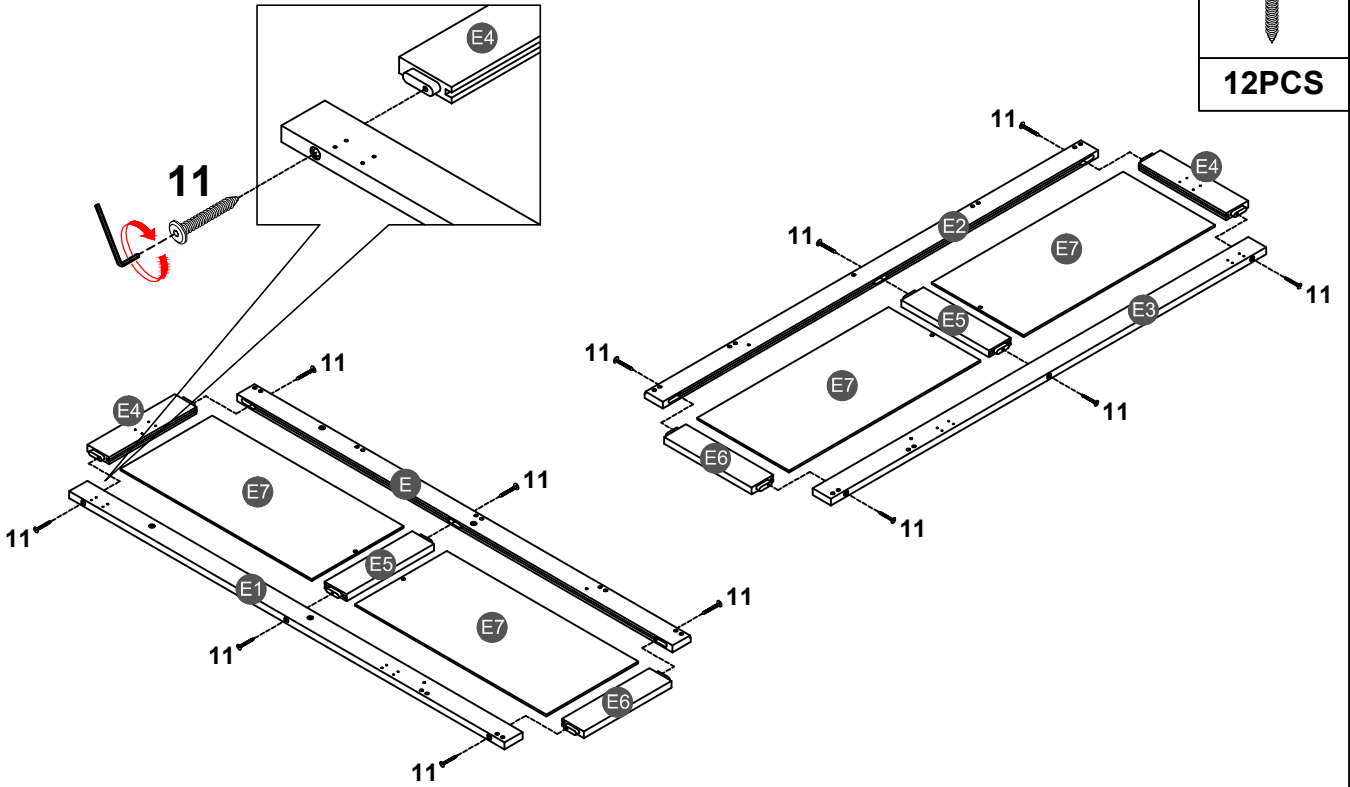
STEP 7:





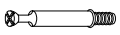
6		10	
	2PCS		2PCS
27			
	1PC		

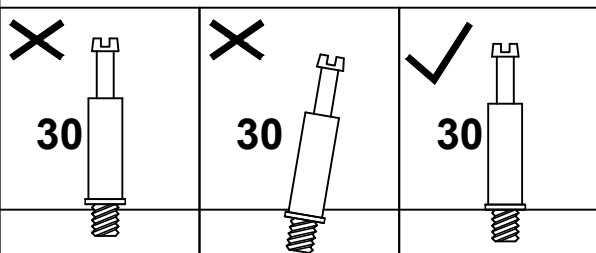
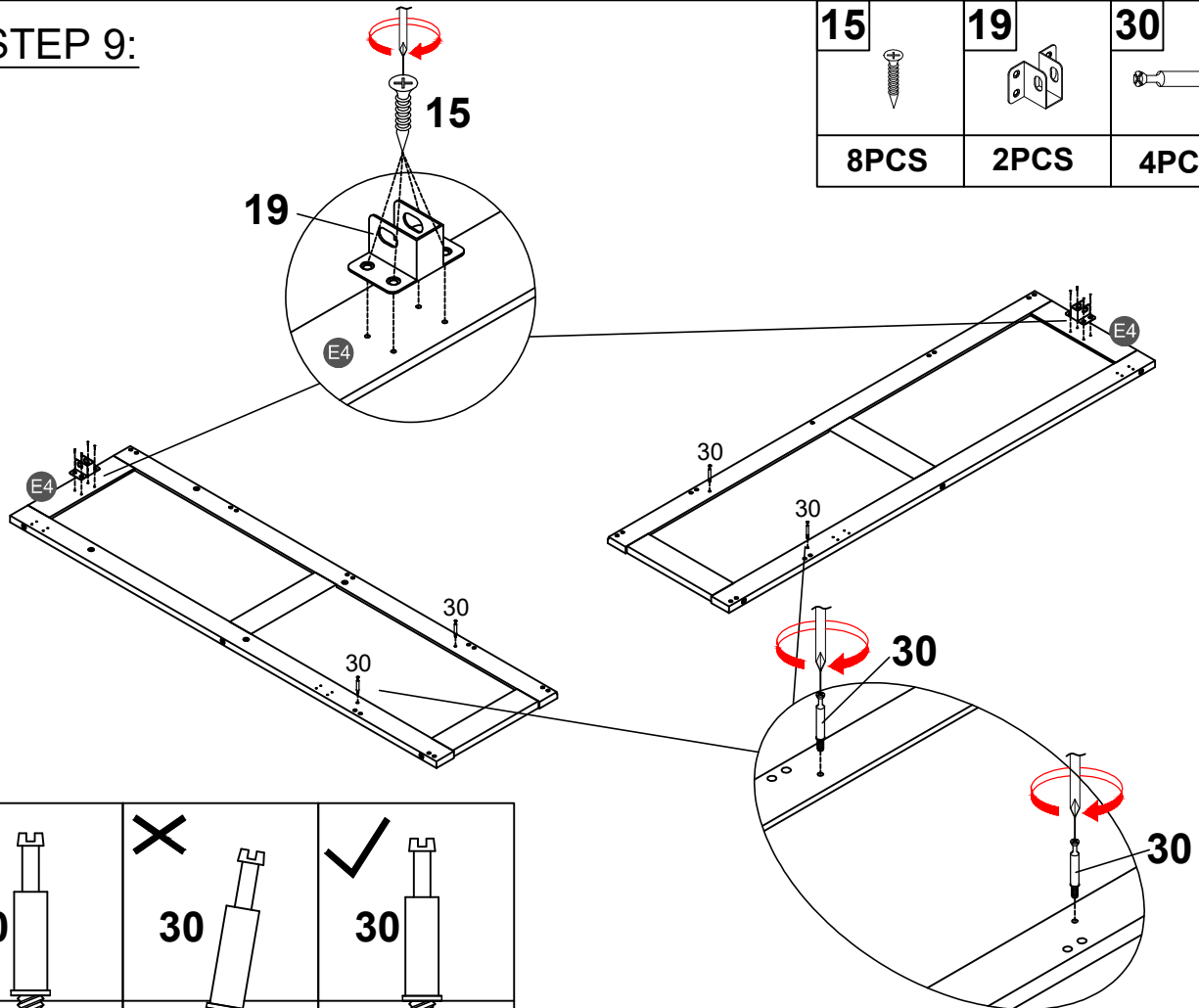
STEP 8:

11	
12PCS	






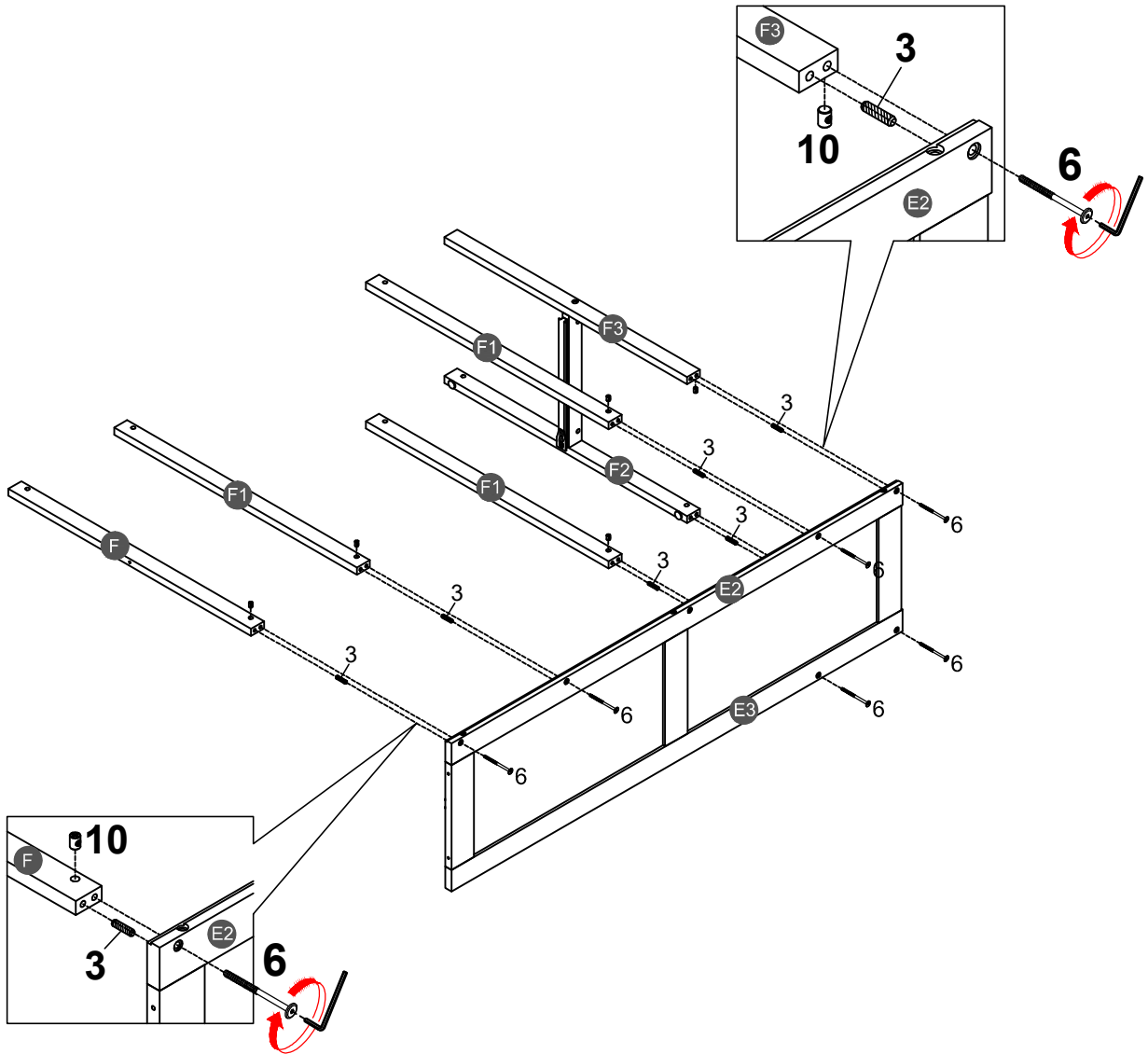
STEP 9:

15	19	30
		
8PCS	2PCS	4PCS



STEP 10:

3 	6 	10 
6PCS	6PCS	6PCS

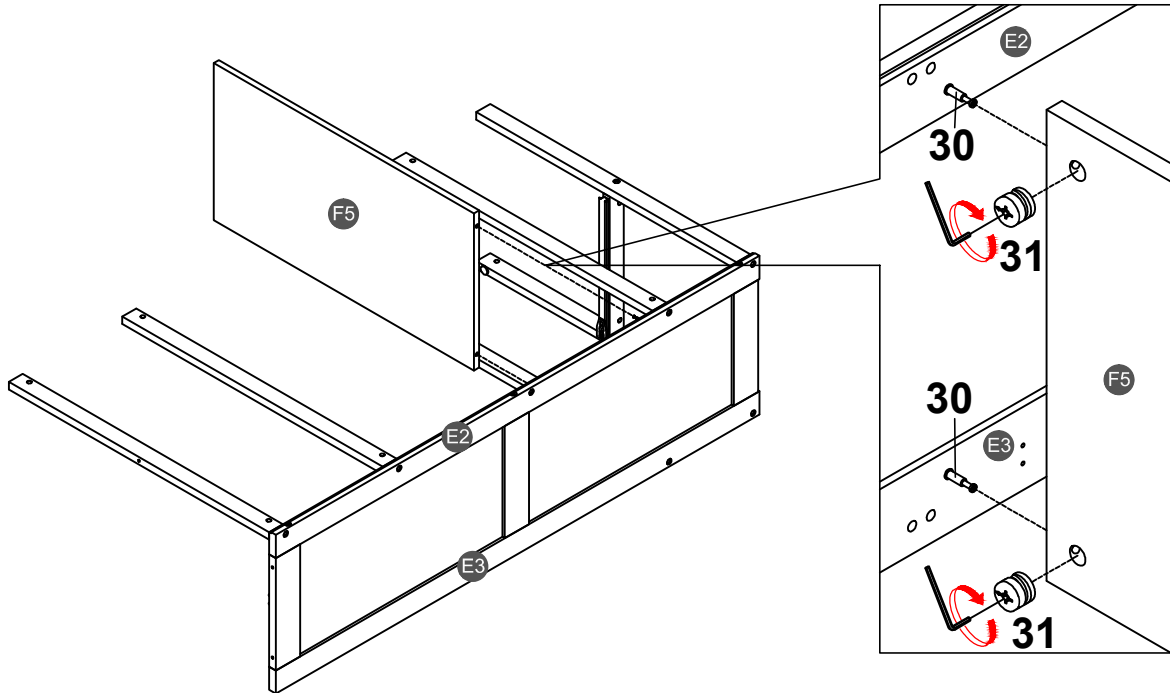


STEP 11:

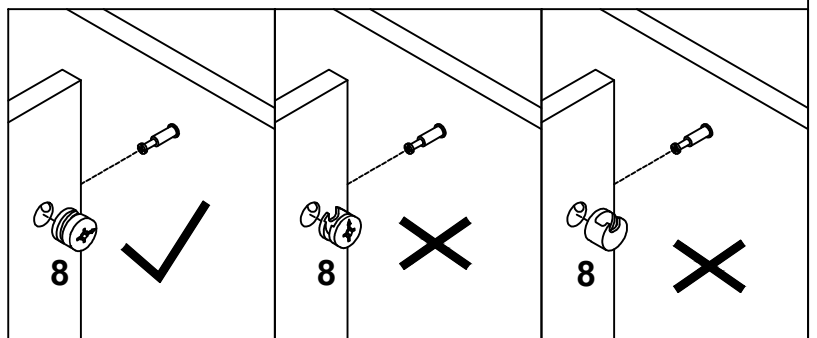
31







2PCS

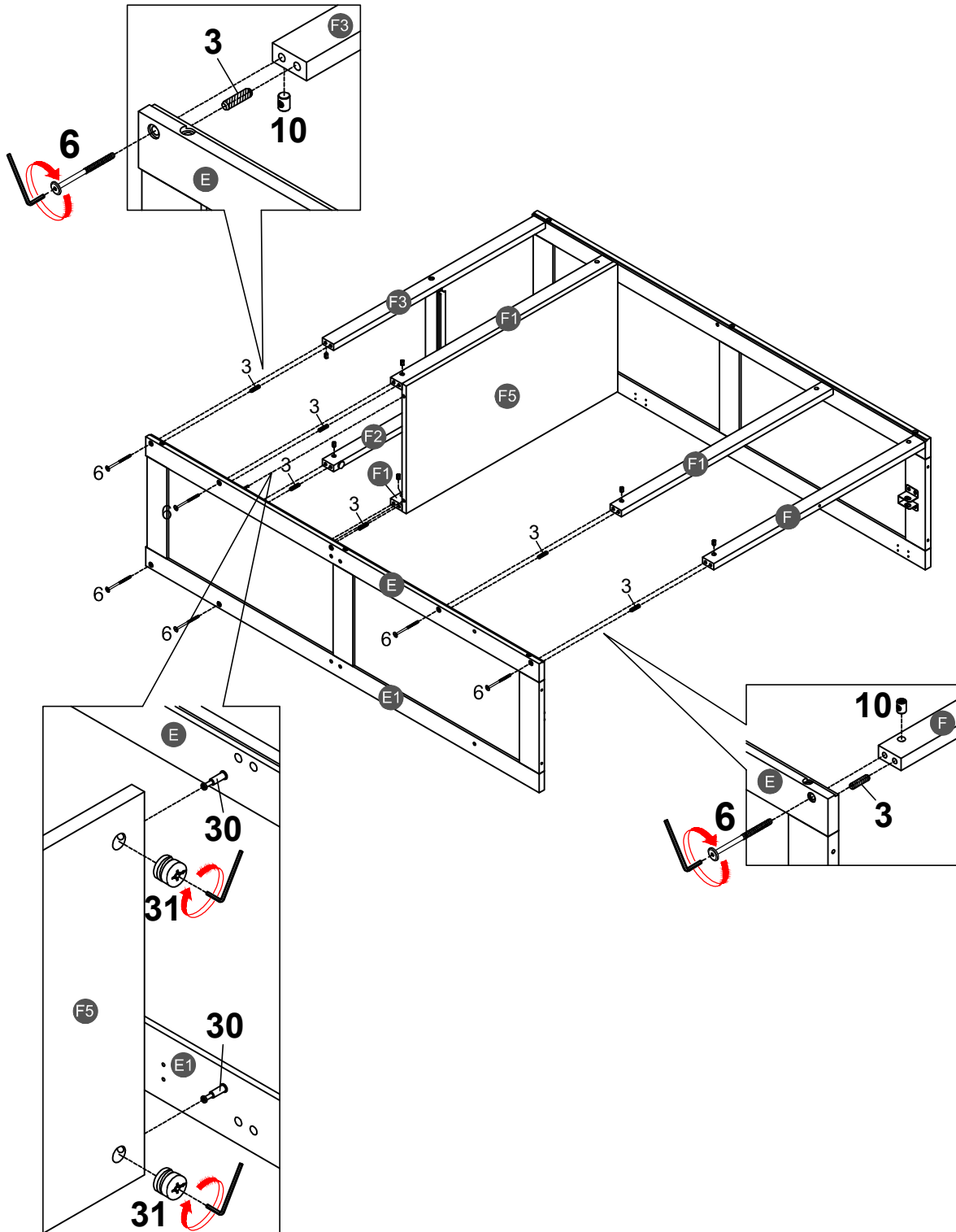


Note: Place hardware #31 with the "X" face outward, and make sure that the arrowhead is upward. Then, place hardware #31 into the hole of hardware #30 and tighten it clockwise with a hand screwdriver. (Please do NOT use an electric screwdriver.)

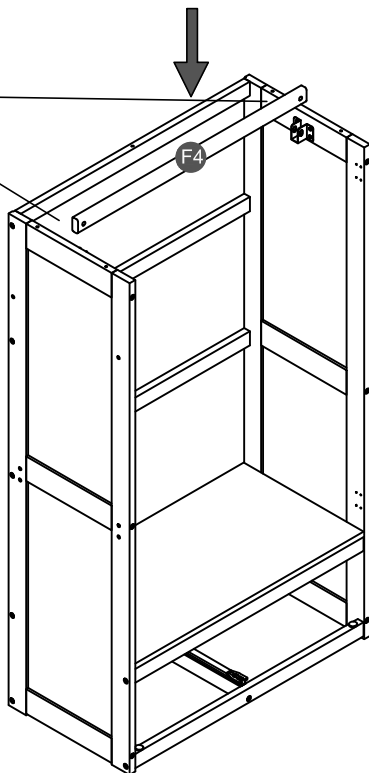
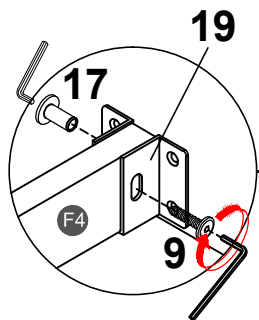



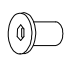
STEP 12:

3		6		10		31	
6PCS		6PCS		6PCS		2PCS	

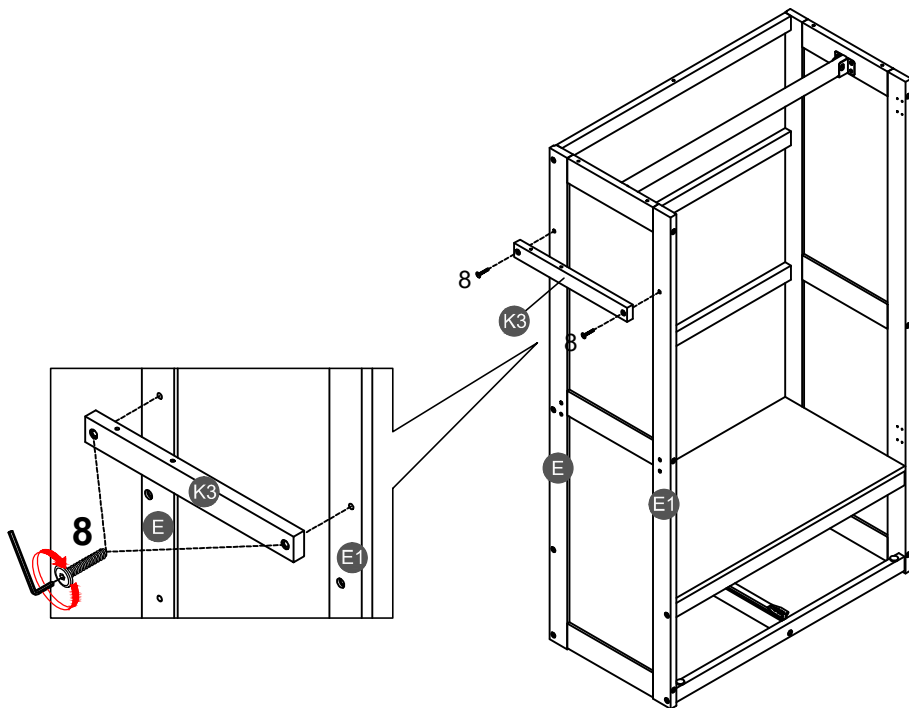



STEP 13:




9		17	
2PCS		2PCS	

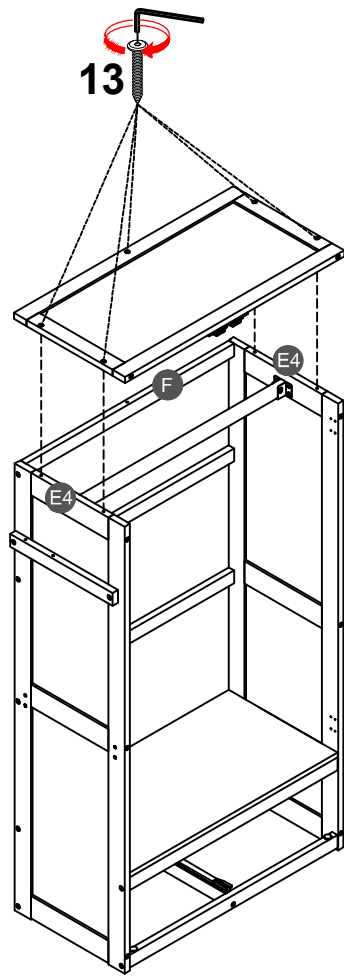
STEP 14:





8	
2PCS	

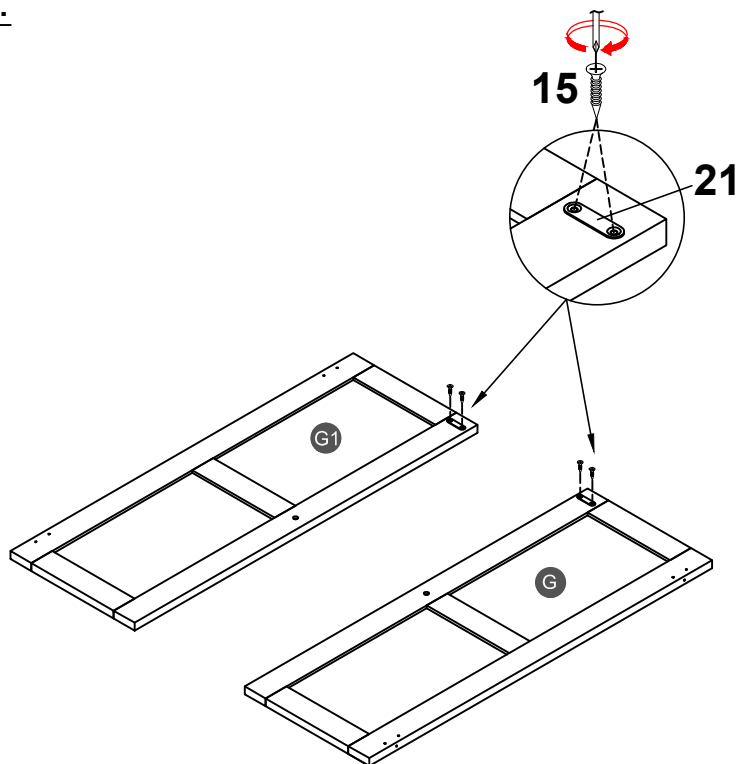
STEP 15:

13	
5PCS	

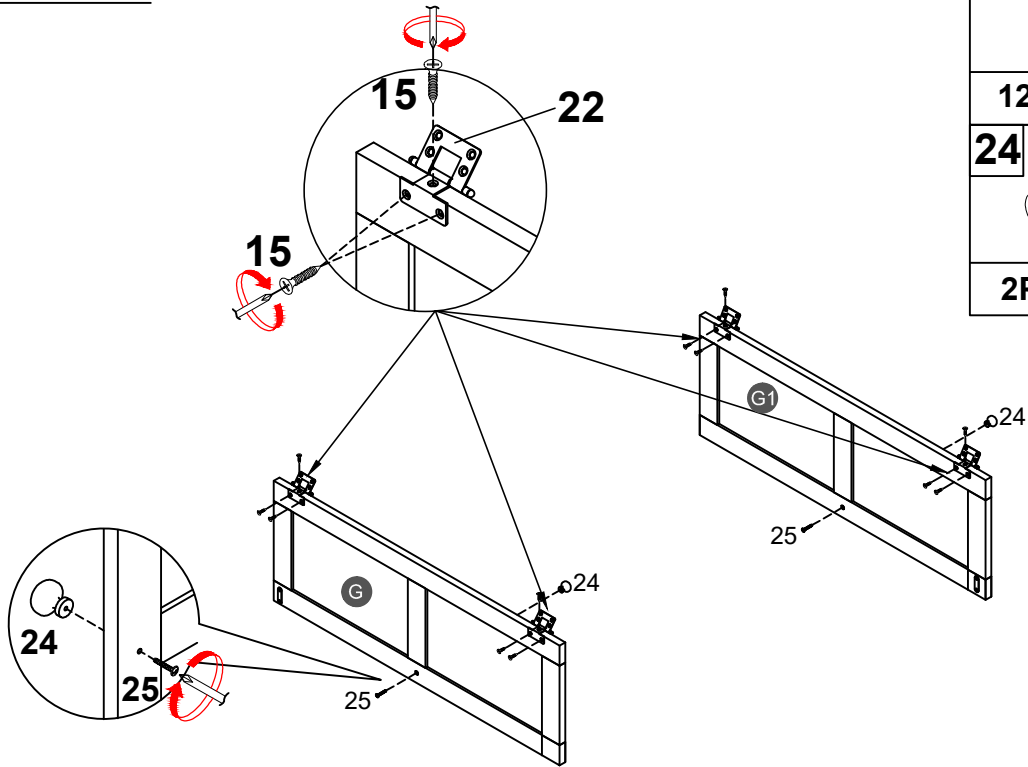



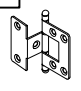


STEP 16:

15		21	
4PCS		2PCS	

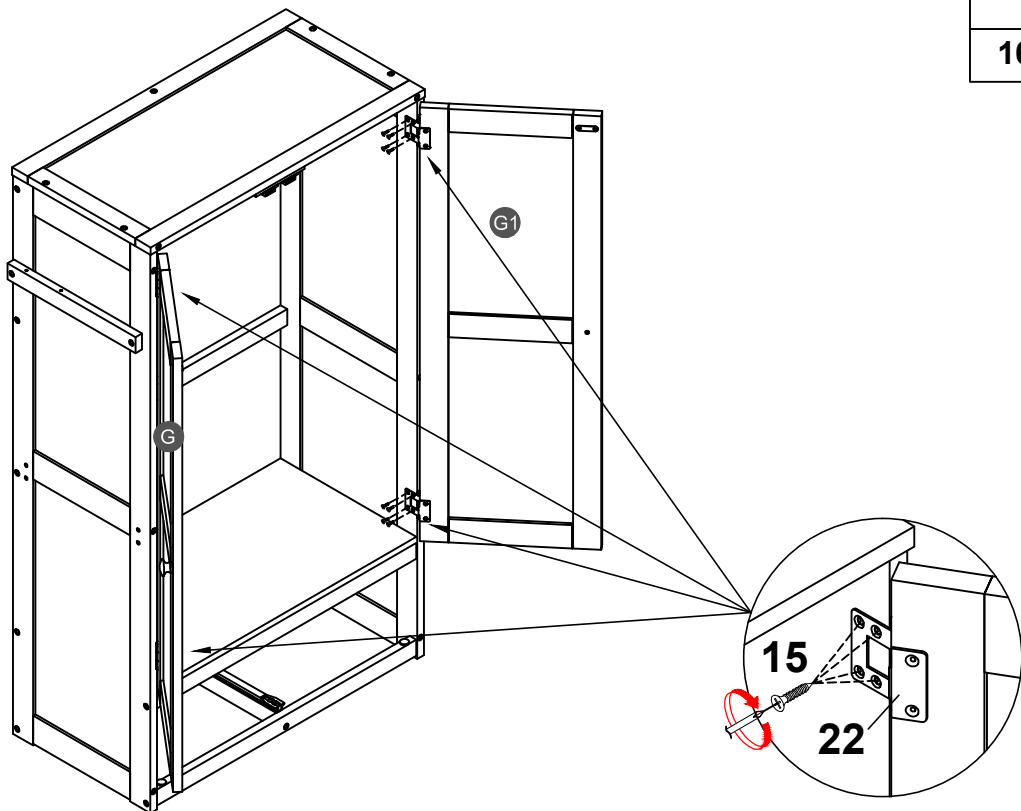



STEP 17:



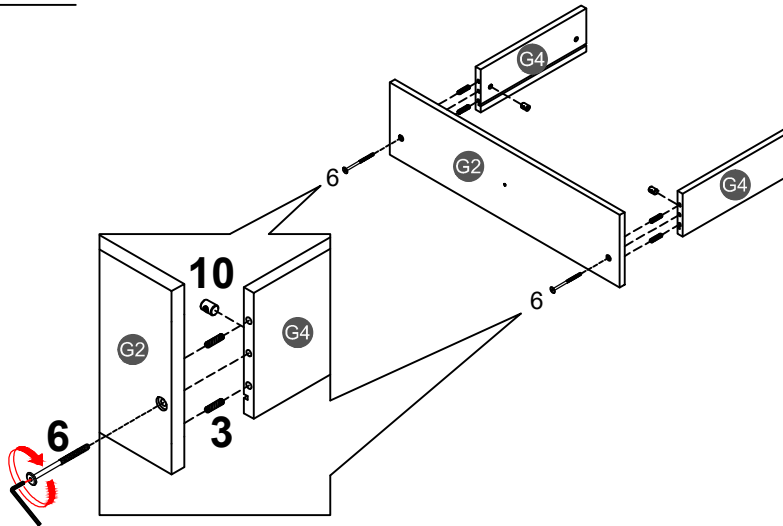
15		22	
	12PCS		4PCS
24		25	
	2PCS		2PCS

STEP 18:



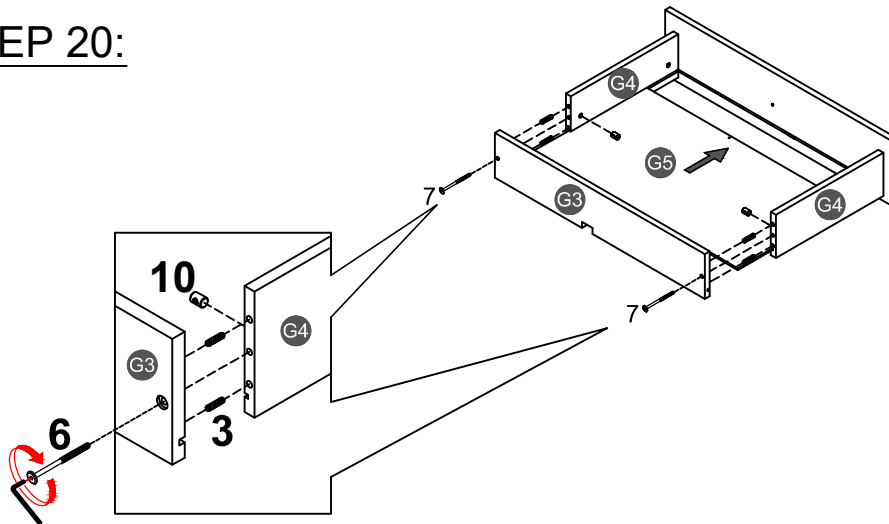
15	
	16PCS

STEP 19:



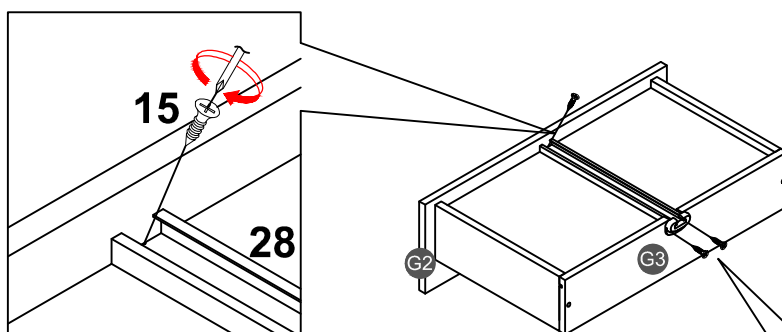
3		6	
4PCS		2PCS	
		10	
		2PCS	

STEP 20:

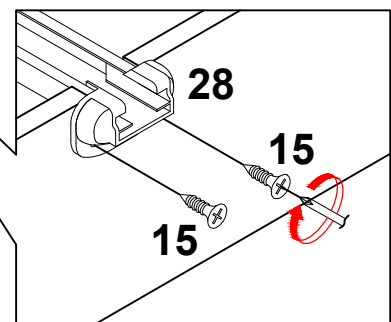
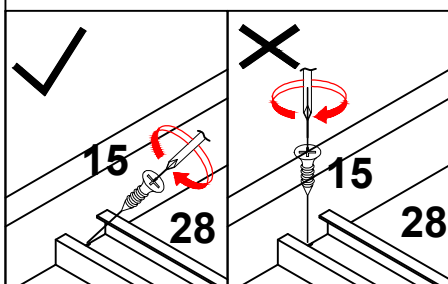


3		6	
4PCS		2PCS	
		10	
		2PCS	

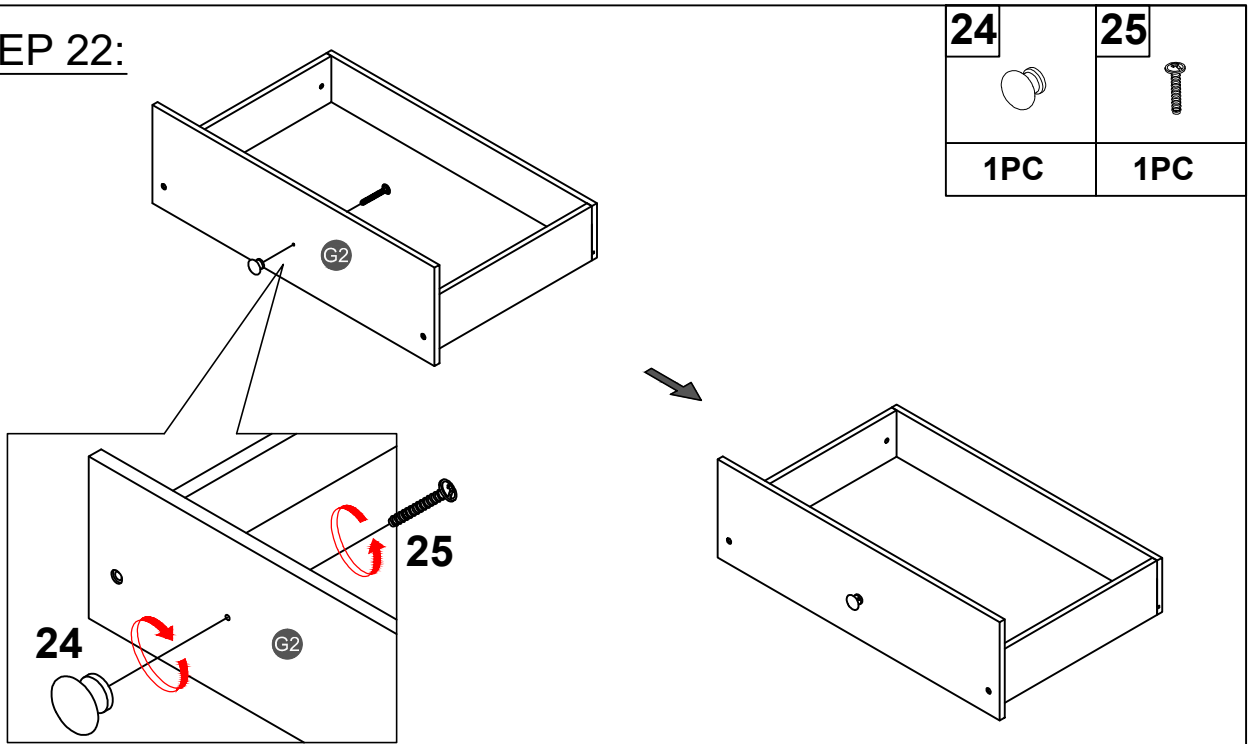
STEP 21:



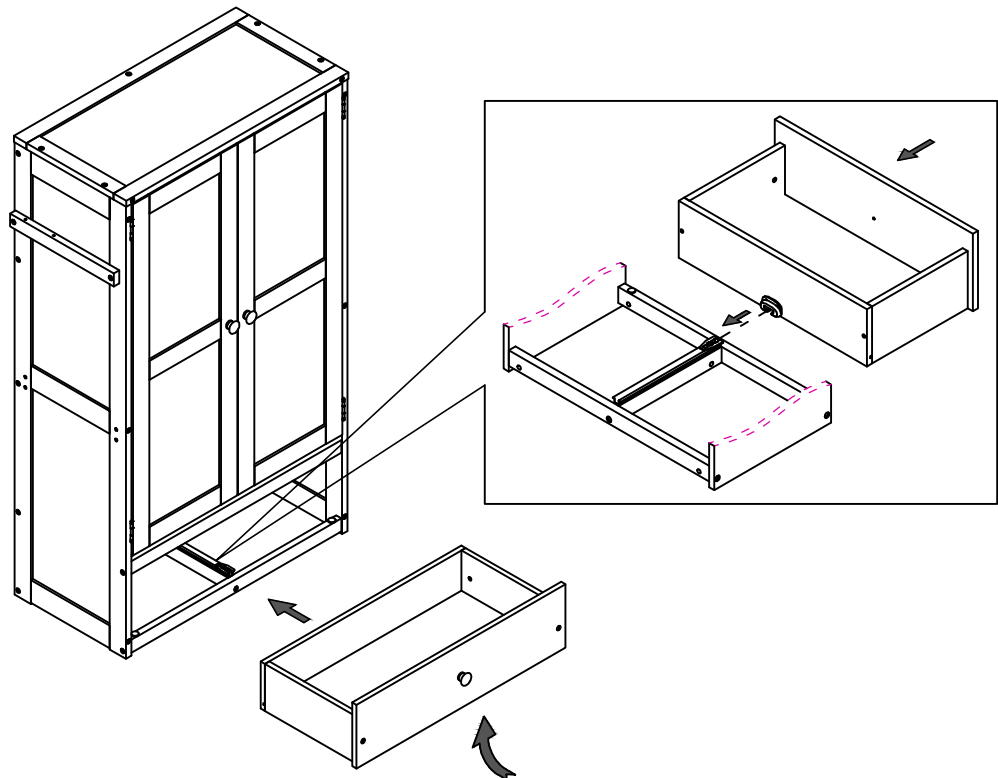
15		28	
3PCS		1PC	



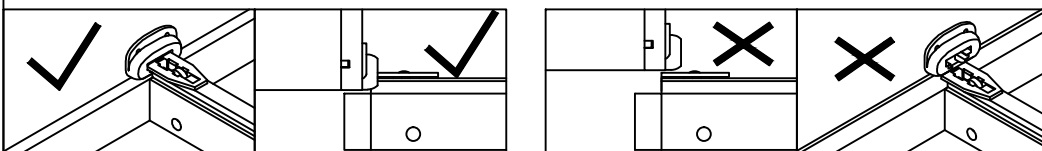
STEP 22:



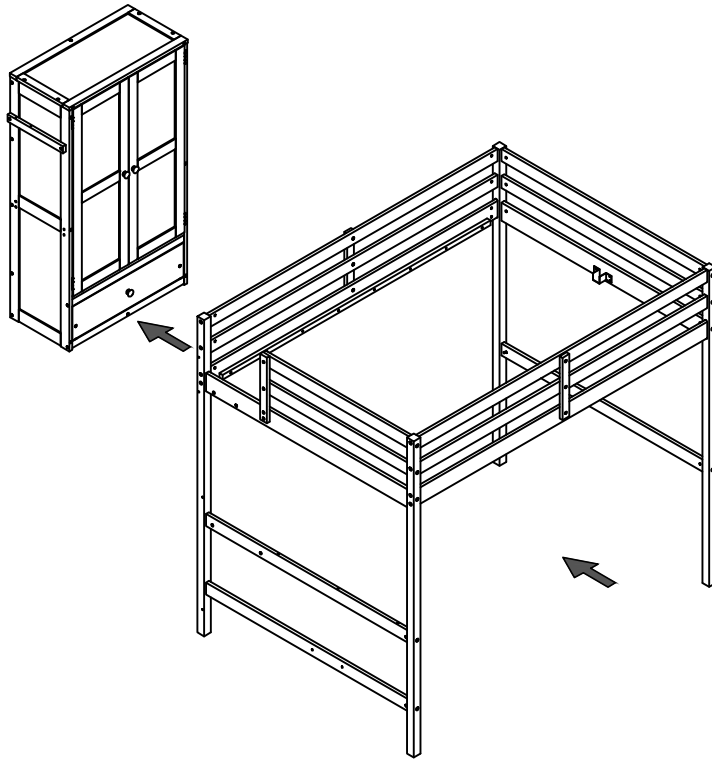
STEP 23:



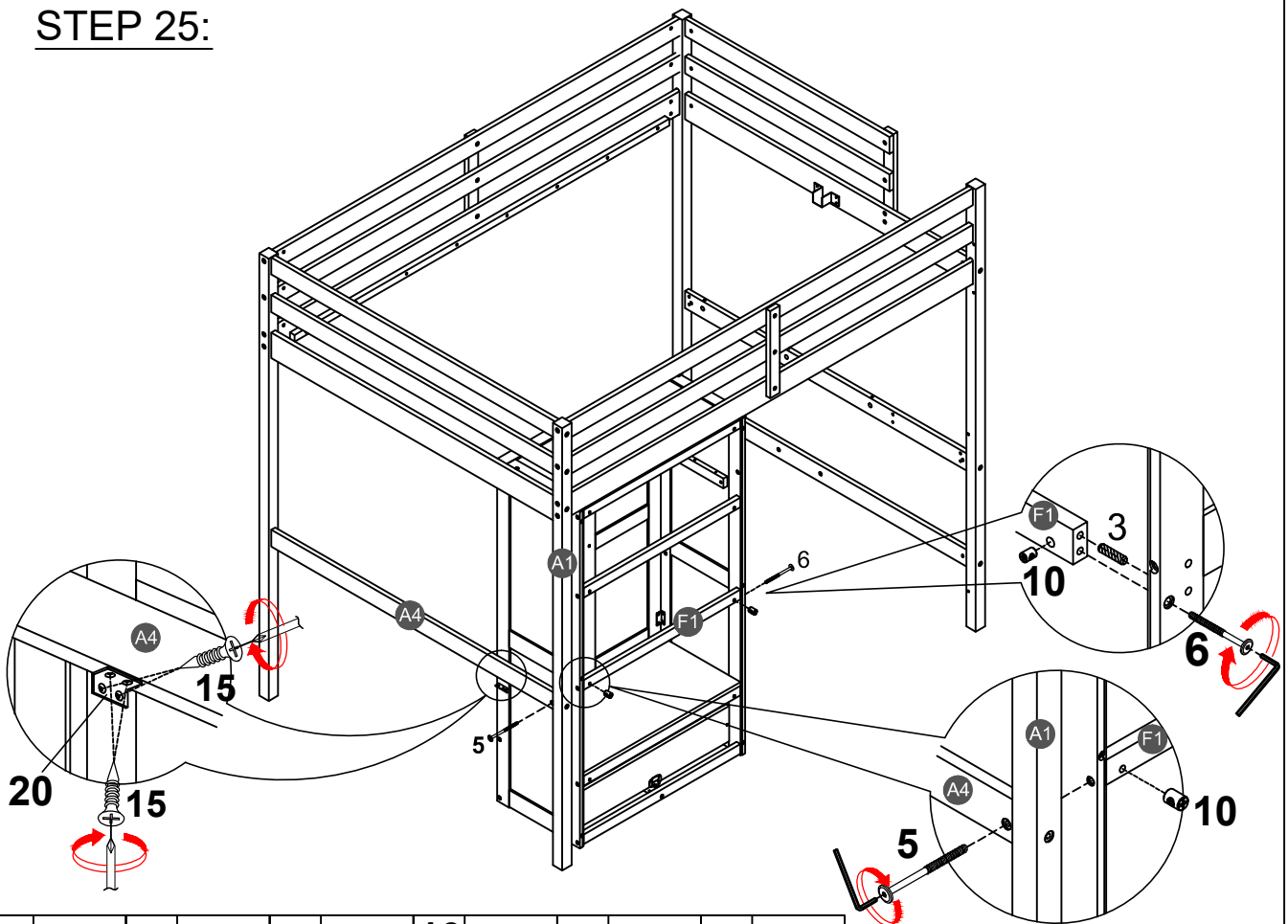
Align the slide rail at the bottom of the drawer and ensure it is secure, then push the drawer in firmly to make the slide rails smoothly on the track.






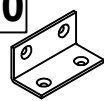


STEP 24:

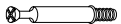


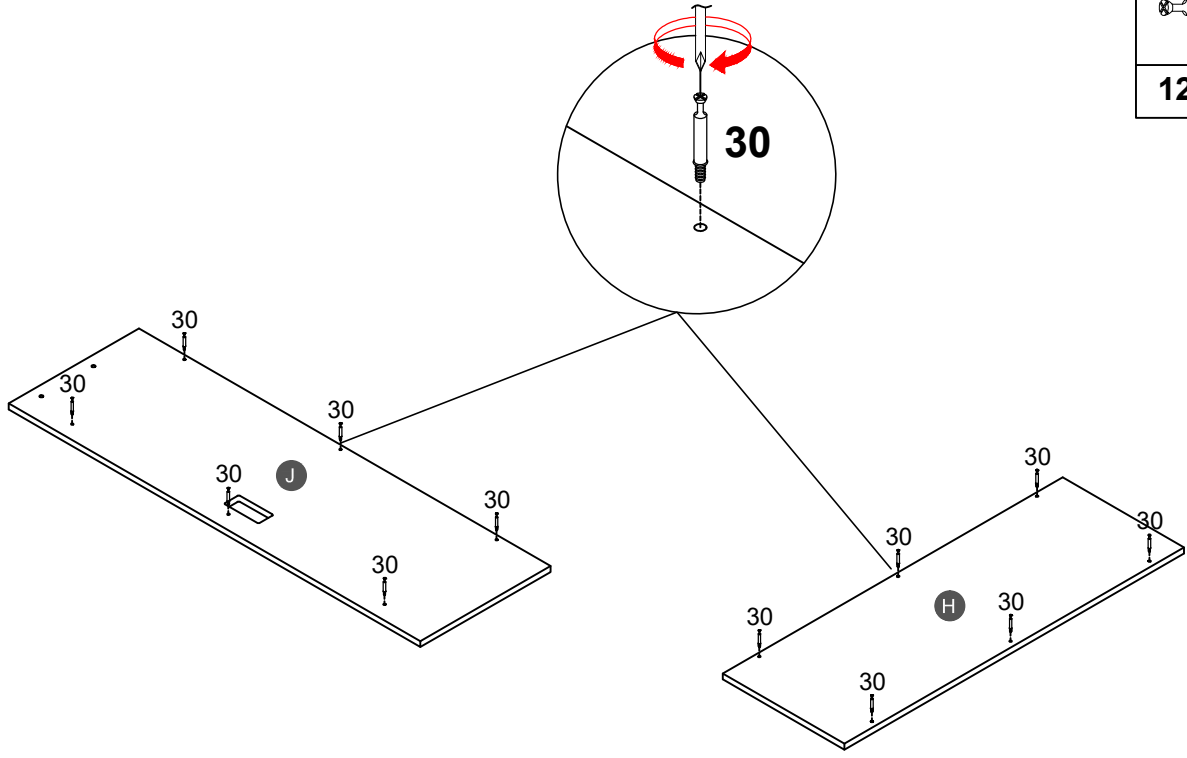
STEP 25:






3		5		6		10		15		20	
1PC		1PC		1PC		2PCS		4PCS		1PC	

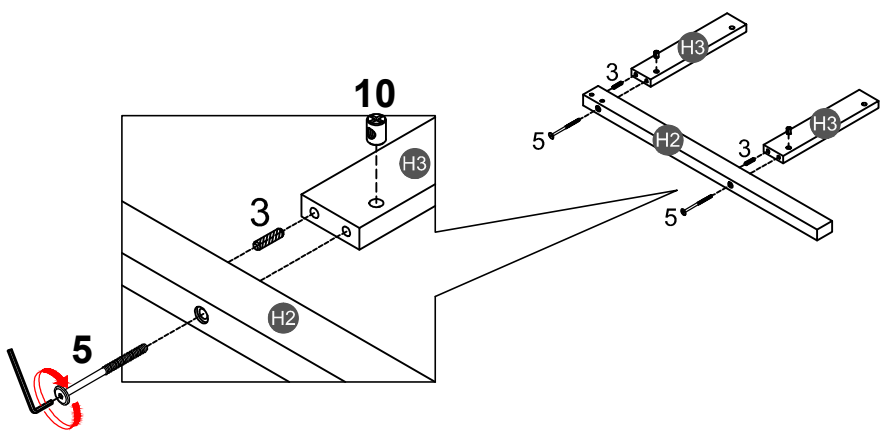
STEP 26:

30

12PCS






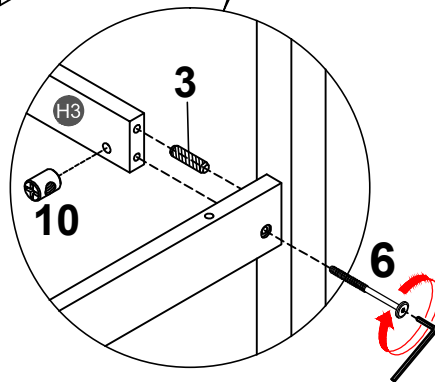
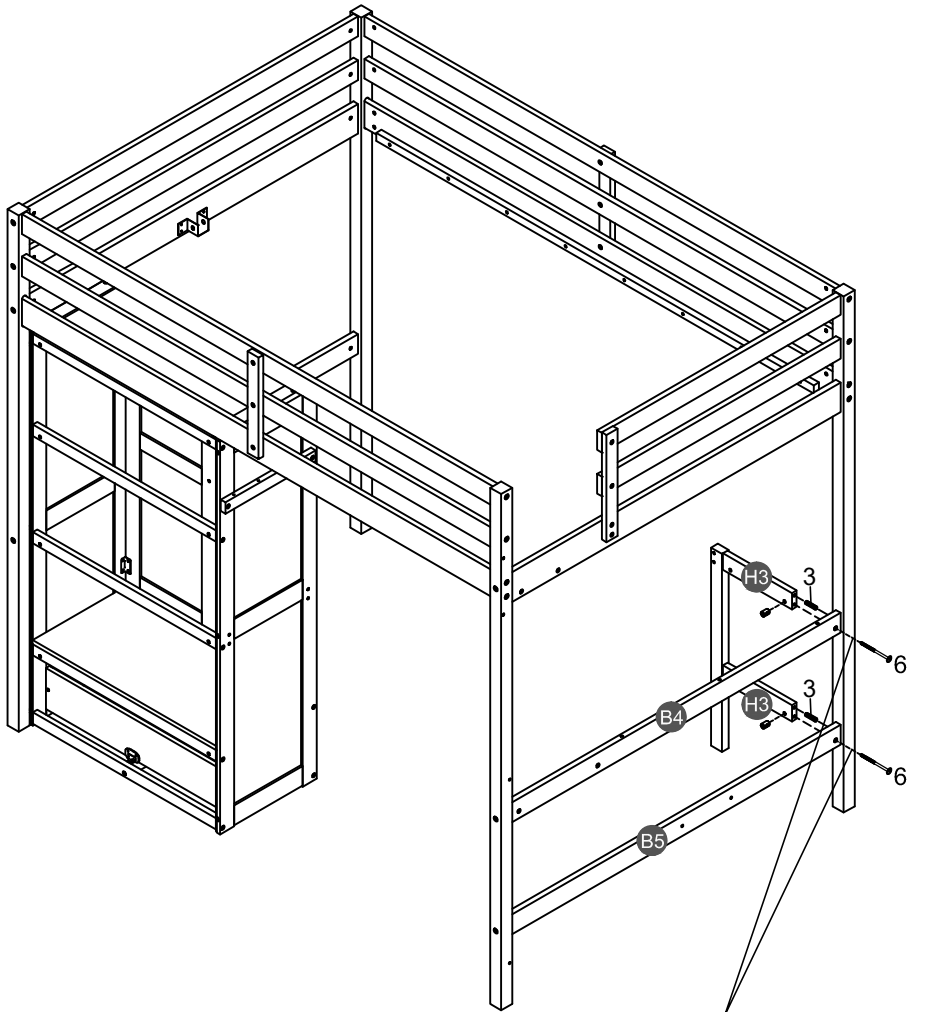
STEP 27:

3		5		10	
2PCS		2PCS		2PCS	






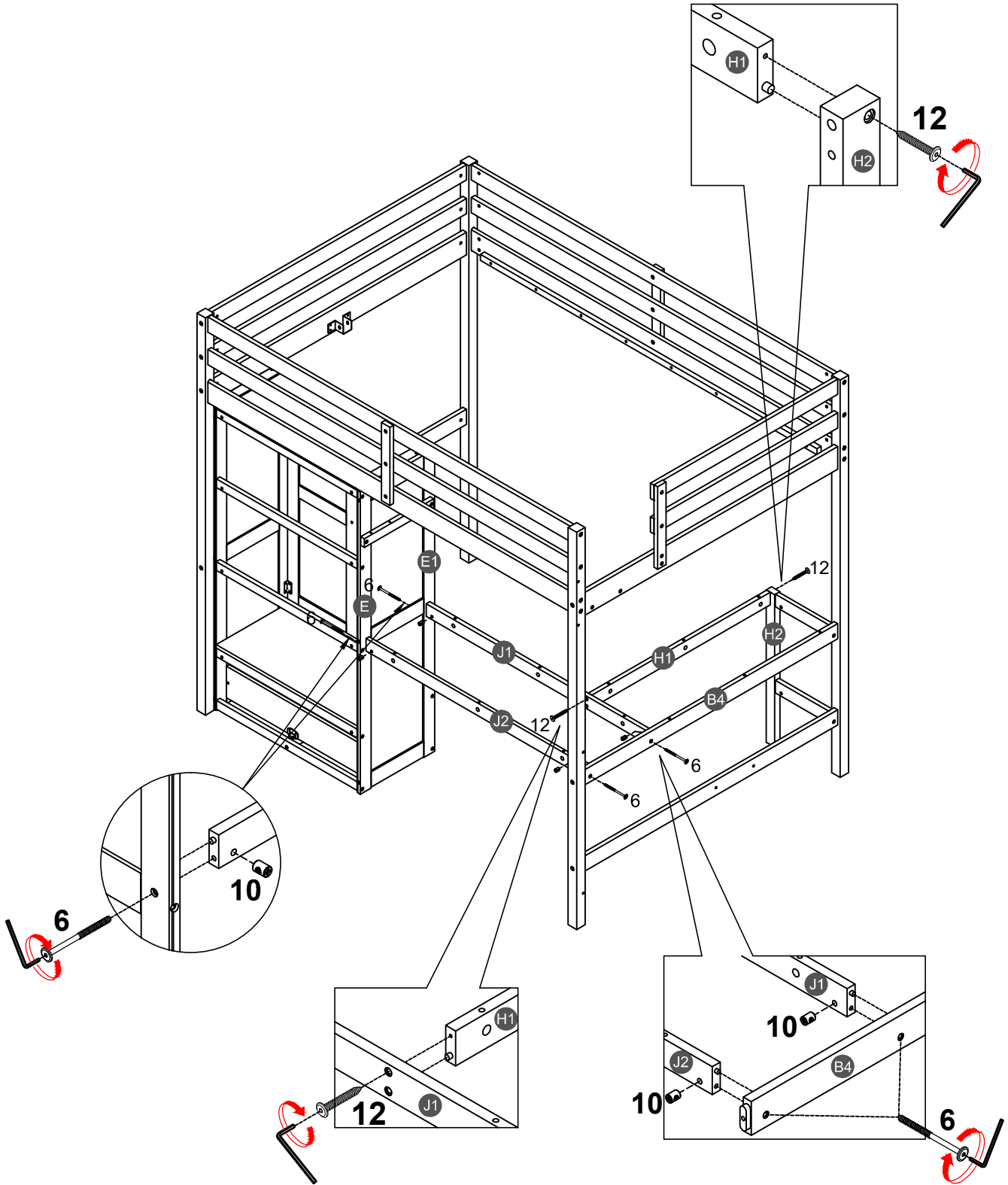
STEP 28:

3		6		10	
2PCS		2PCS		2PCS	



STEP 29:

6 	10 	12 
4PCS	4PCS	2PCS

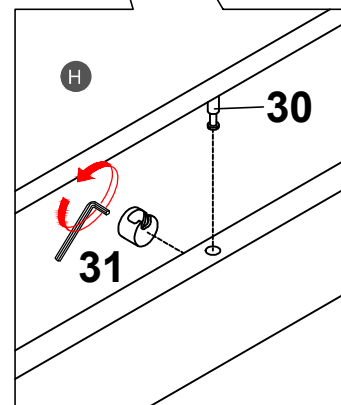
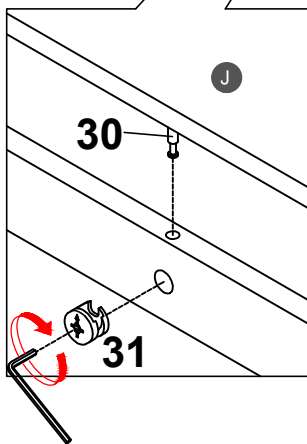
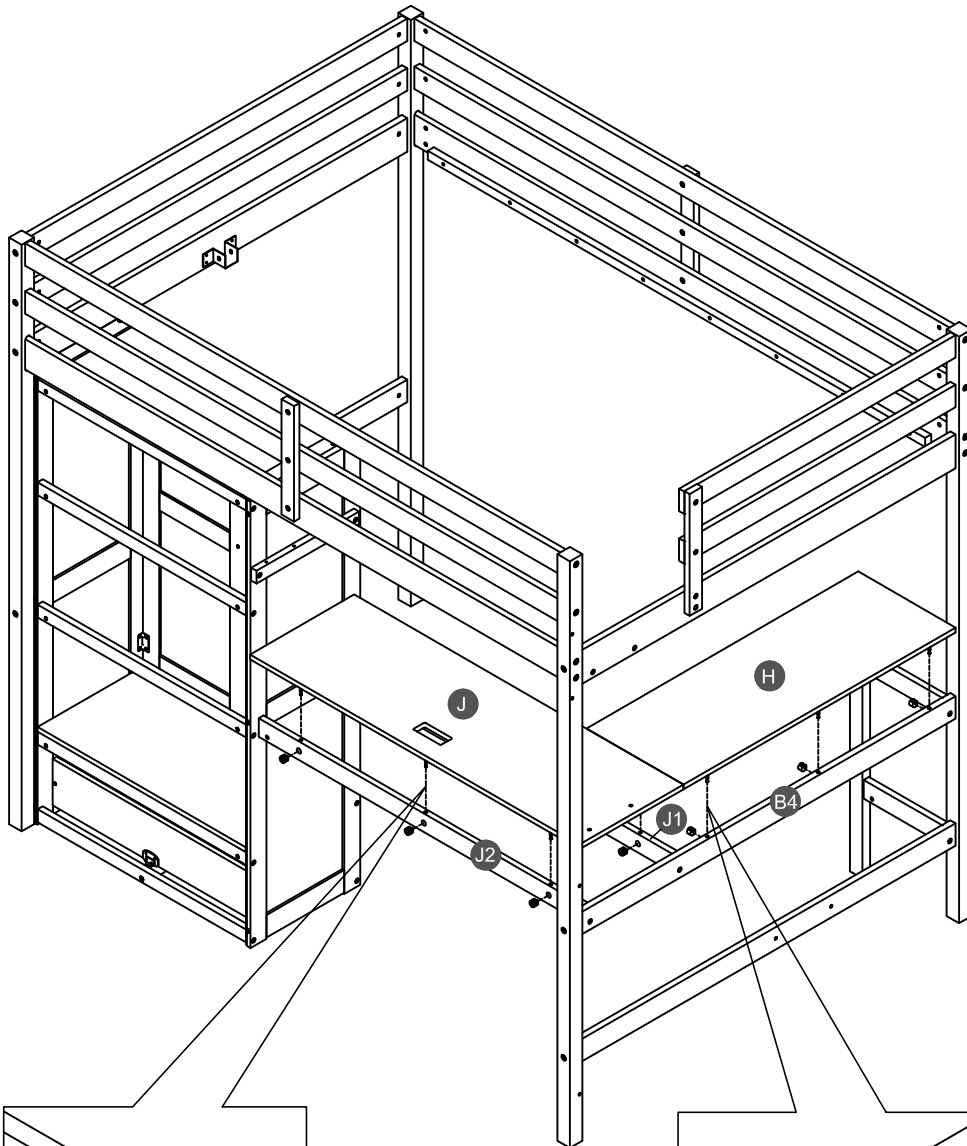


STEP 30:




31

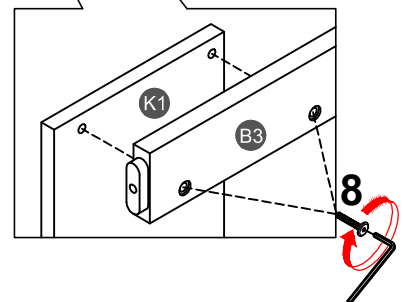
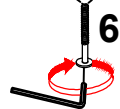
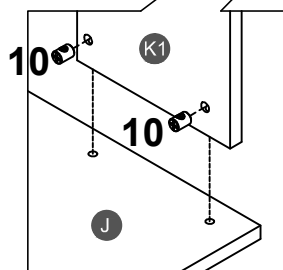
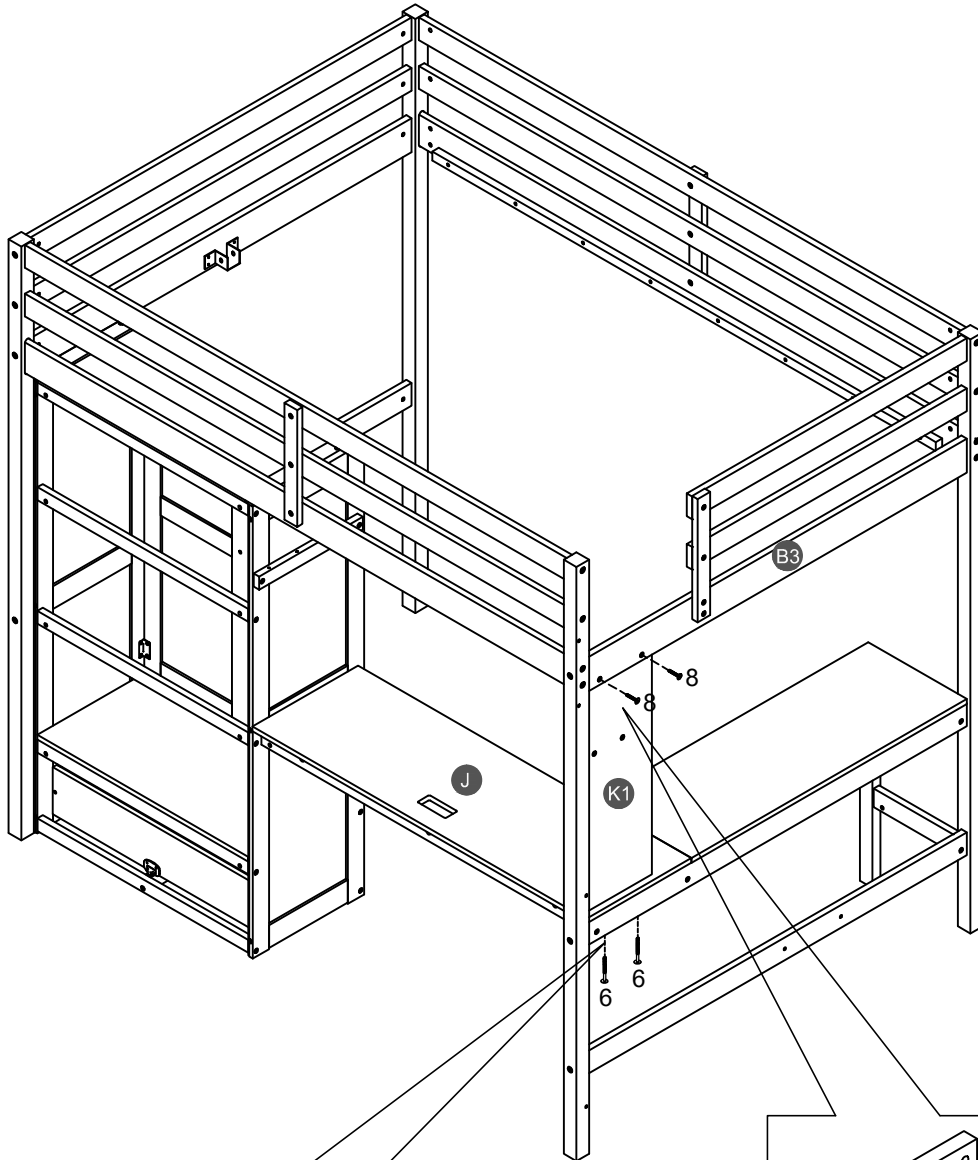


12PCS






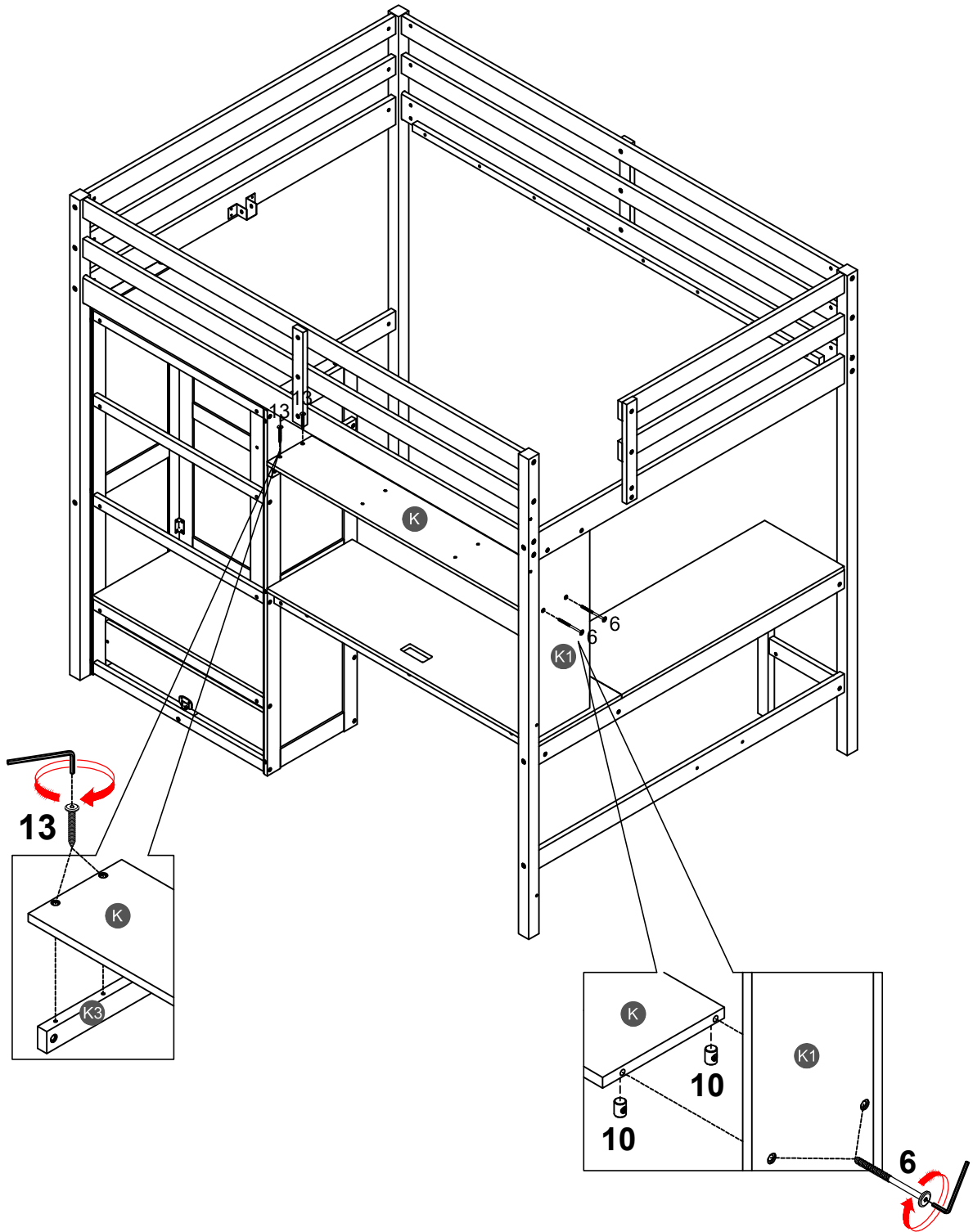
STEP 31:

6		8		10	
2PCS		2PCS		2PCS	





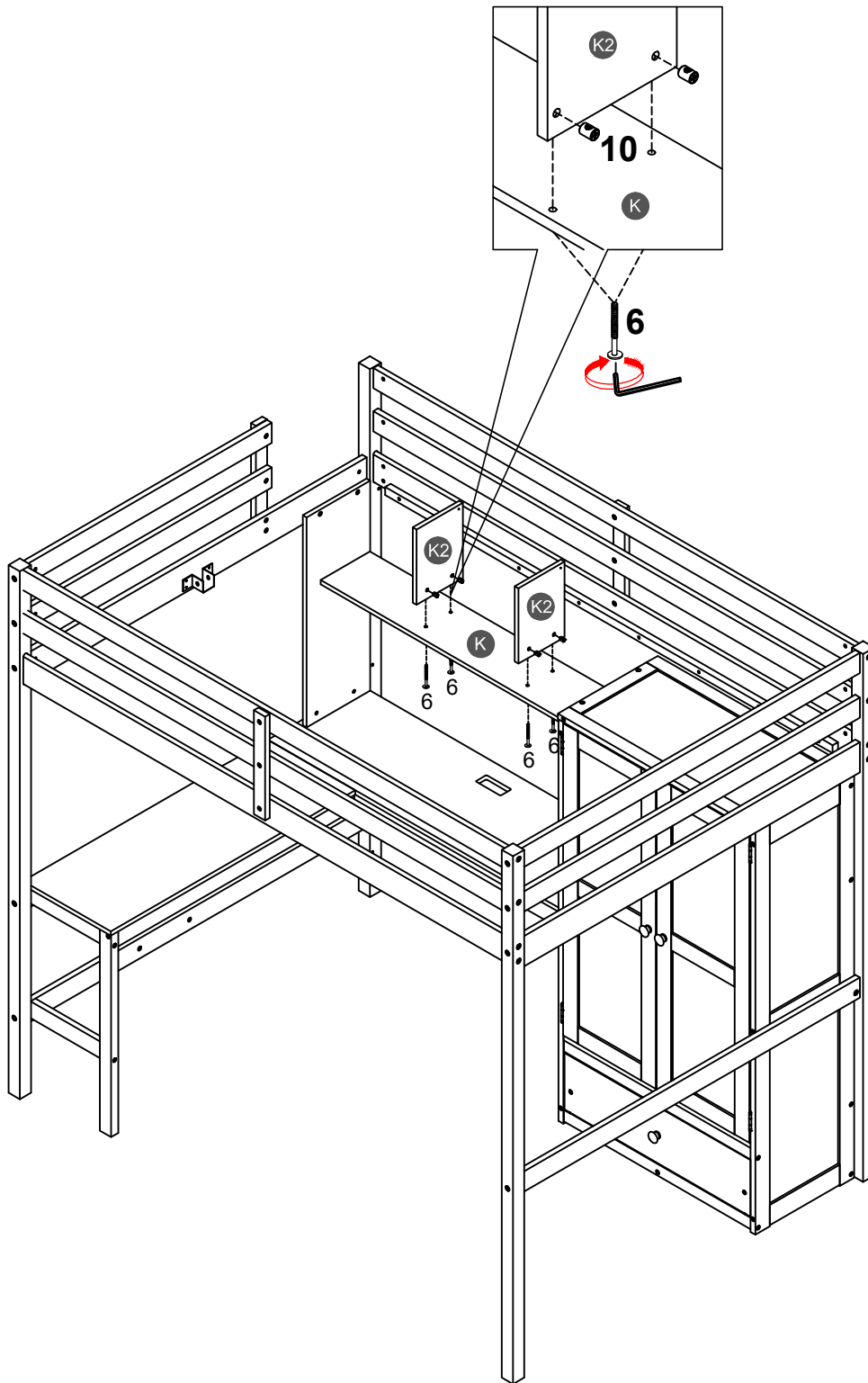
STEP 32:

6		10		13	
2PCS		2PCS		2PCS	


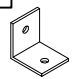


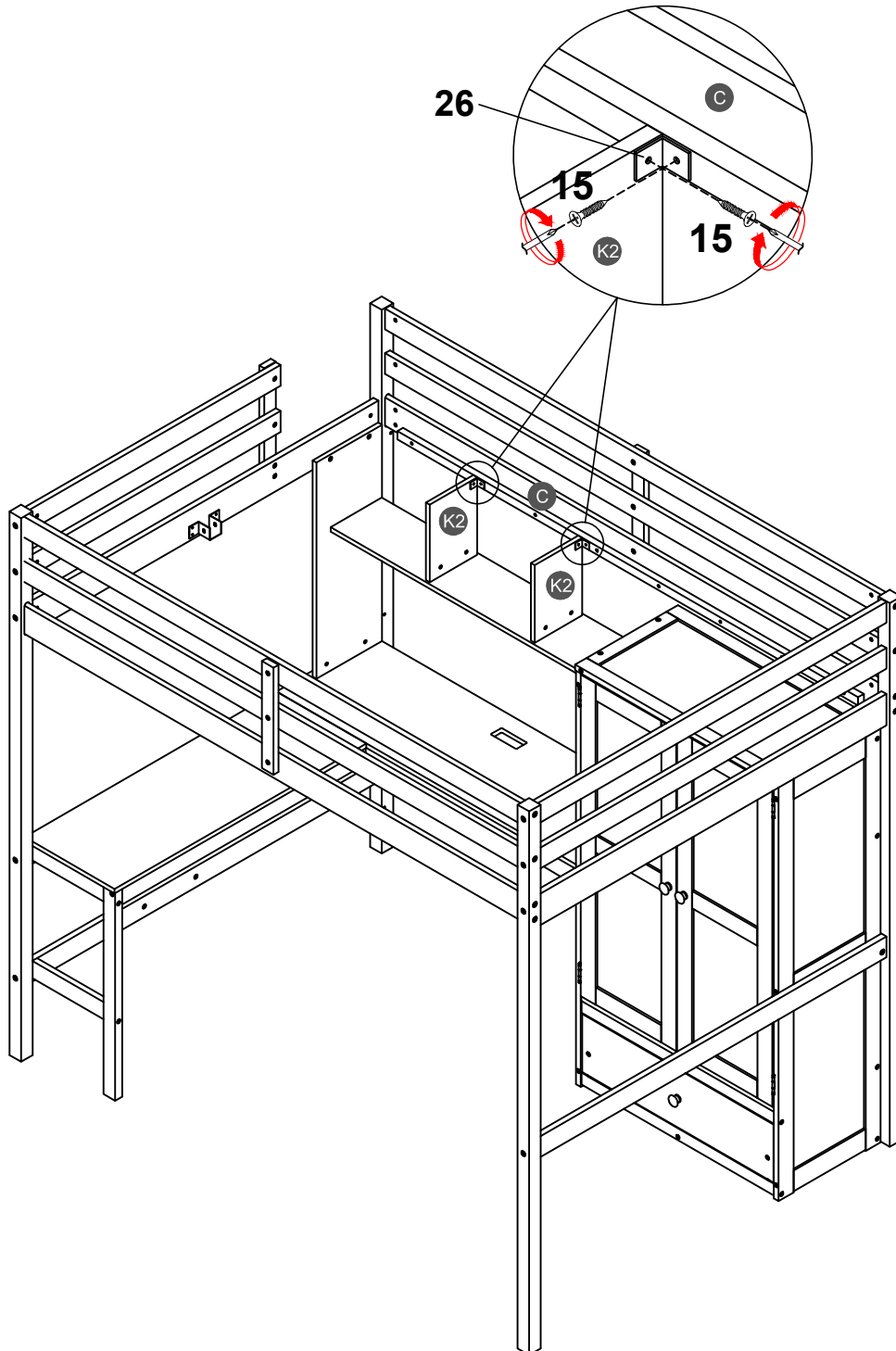
STEP 33:

6		10	
4PCS		4PCS	

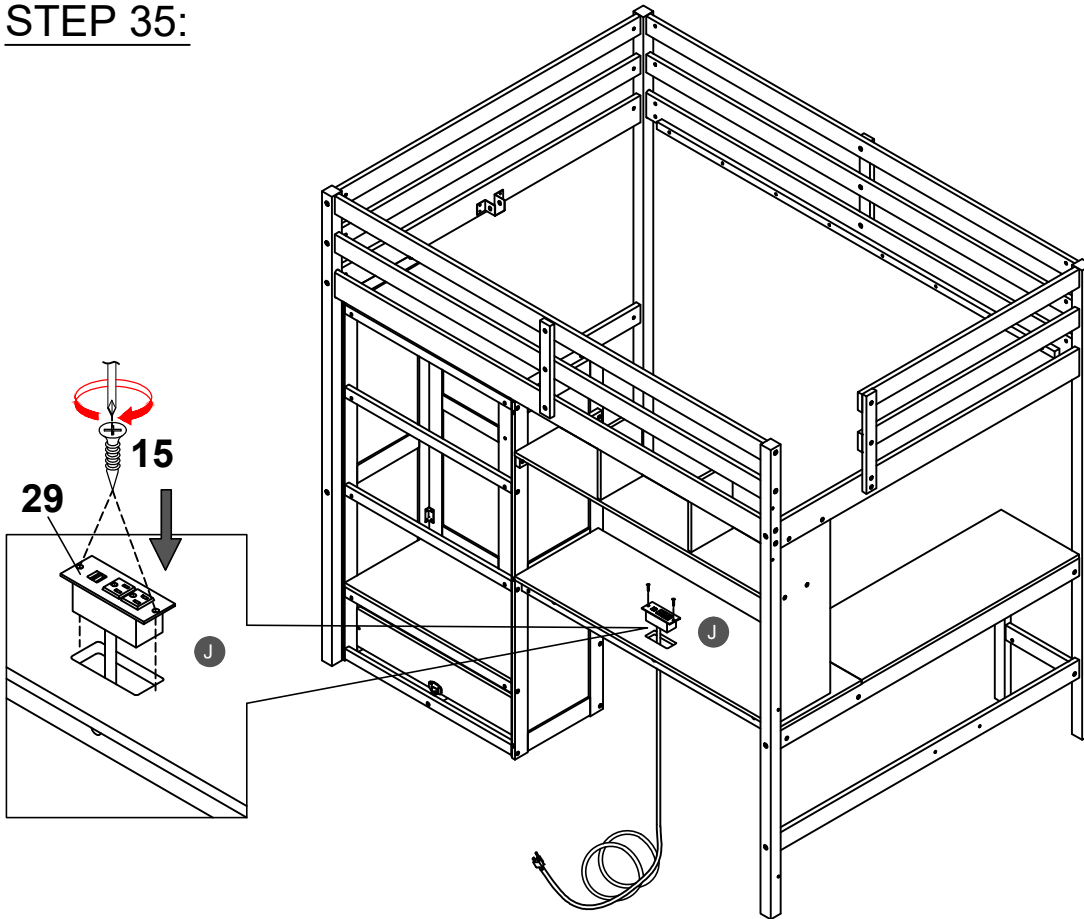




STEP 34:

15	26
	
4PCS	2PCS

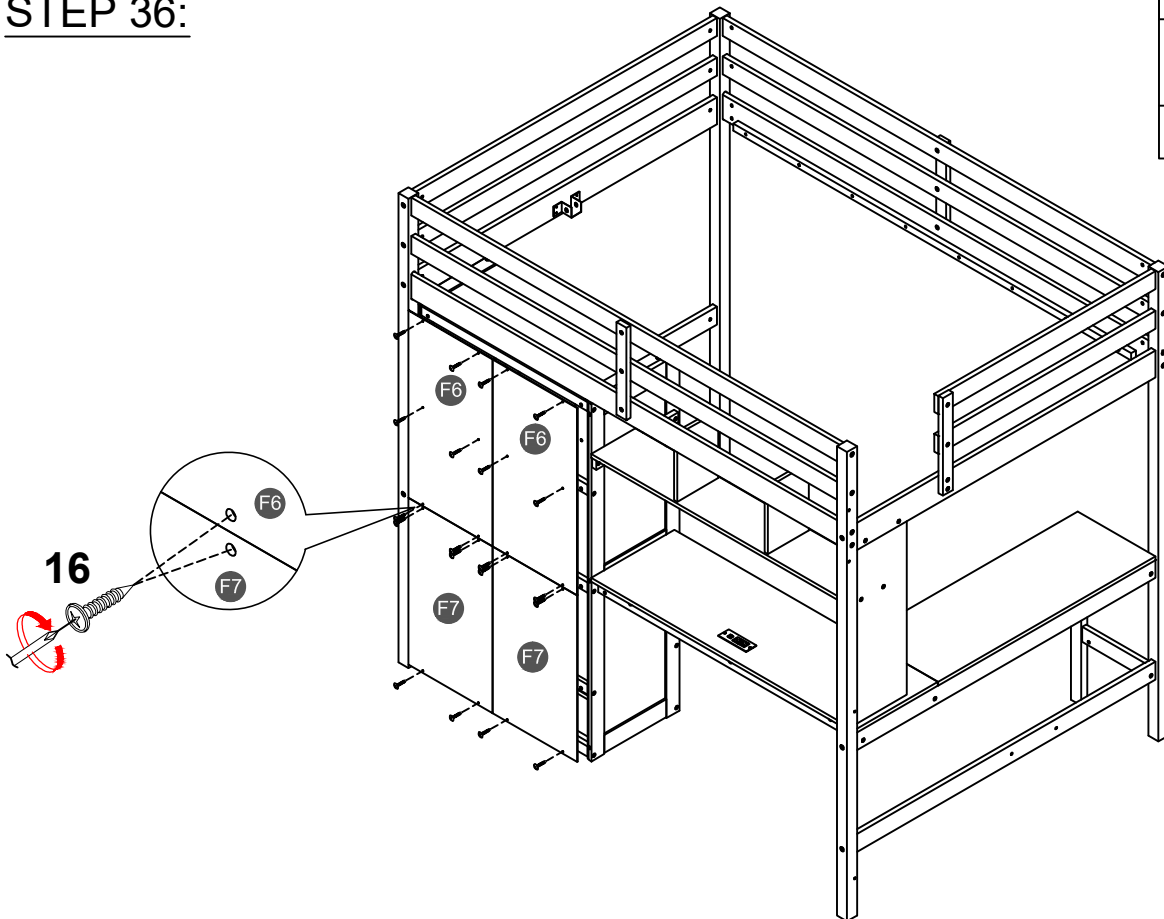



STEP 35:





- 15**

- 2PCS**
- 29**

- 1PC**

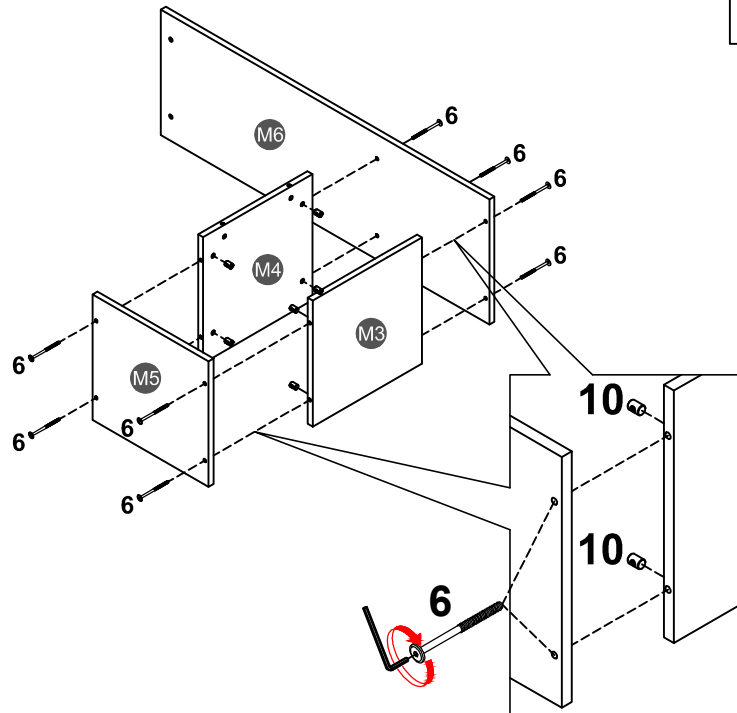
STEP 36:






- 16**

- 20PCS**

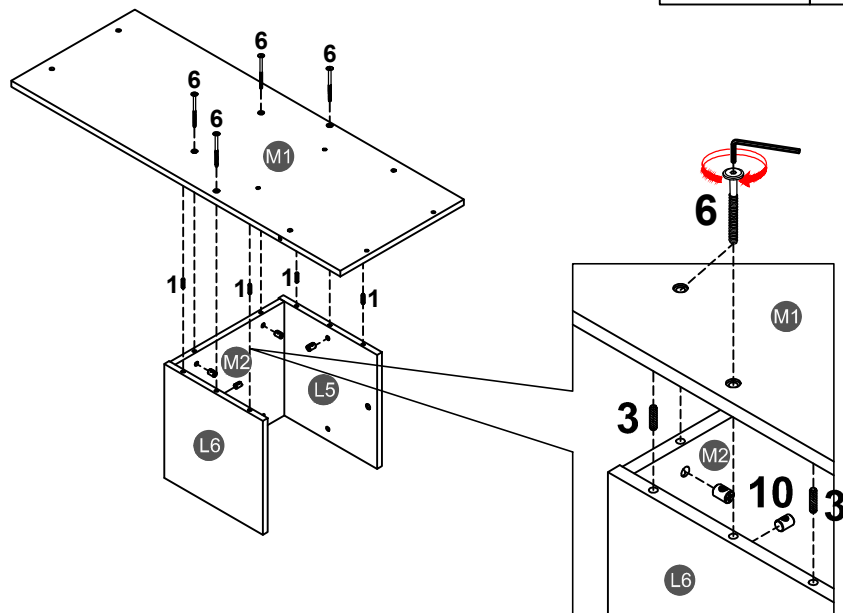
STEP 37:

6		10	
8PCS		8PCS	





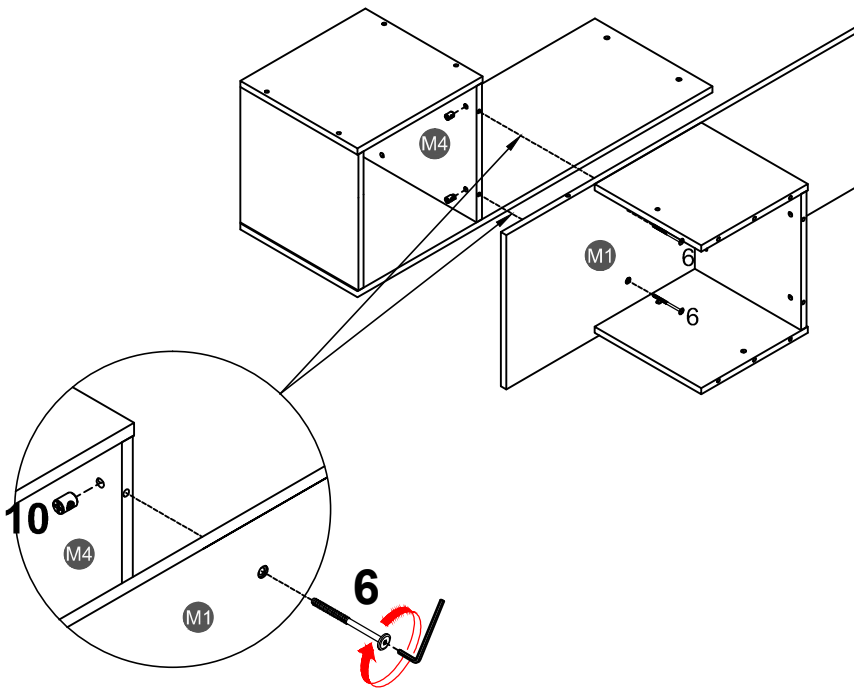
STEP 38:

3		6		10	
4PCS		4PCS		4PCS	






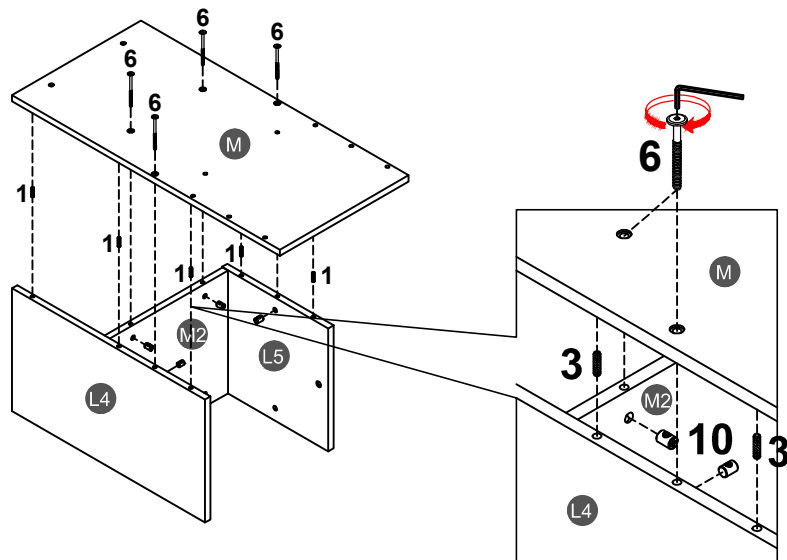
STEP 39:

6		10	
2PCS		2PCS	






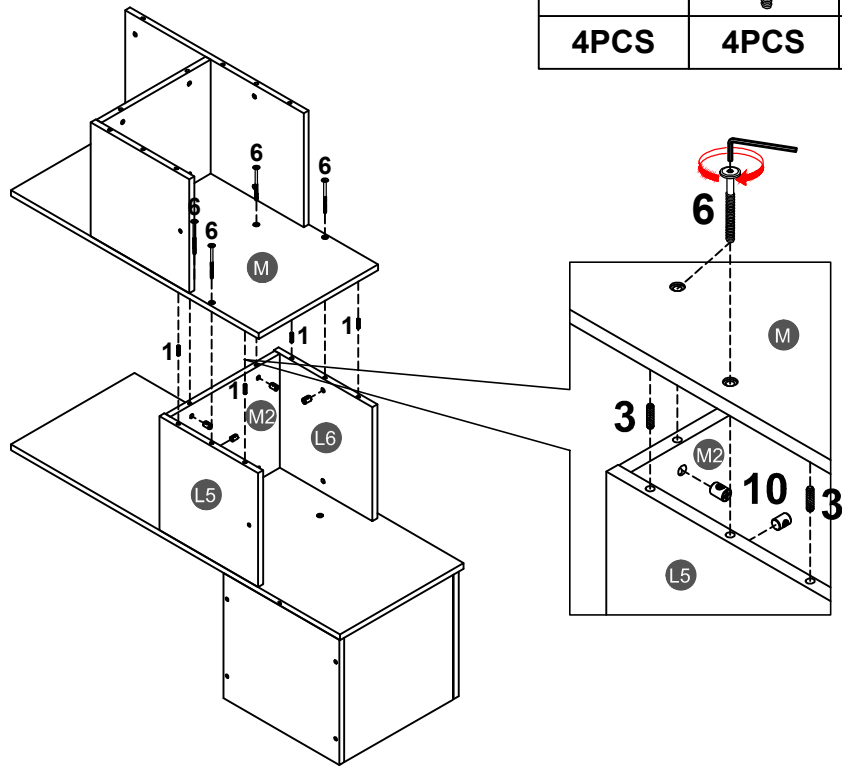
STEP 40:

3		6		10	
5PCS		4PCS		4PCS	






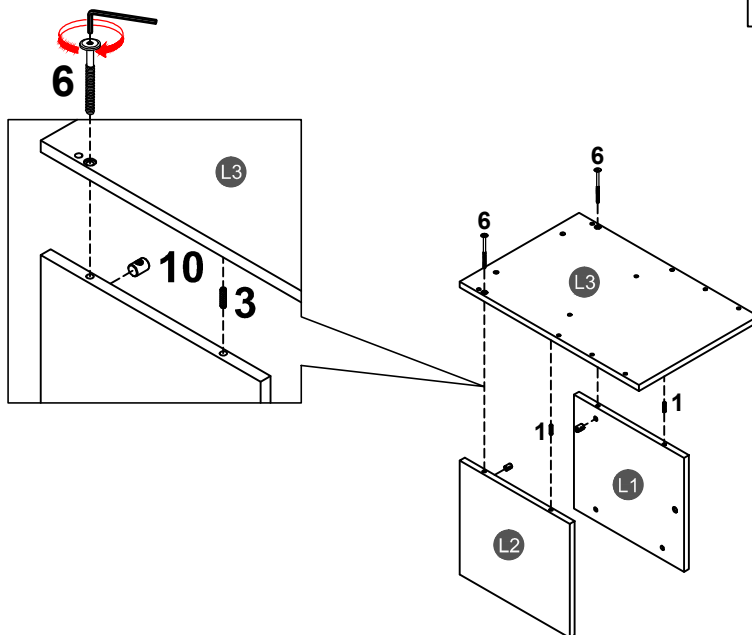
STEP 41:

3		6		10	
4PCS		4PCS		4PCS	

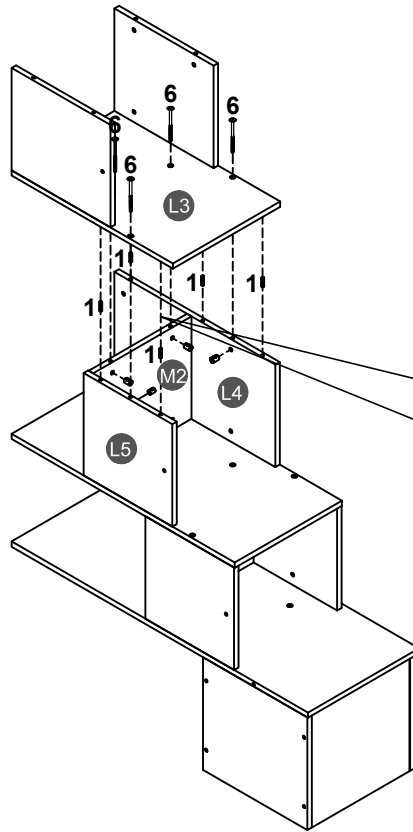





STEP 42:

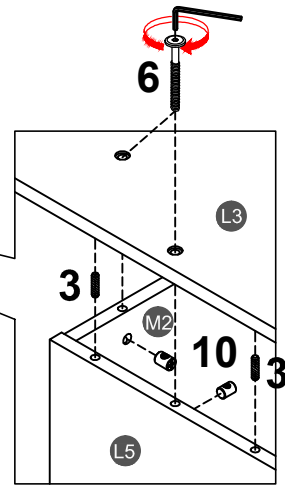
3		6		10	
2PCS		2PCS		2PCS	



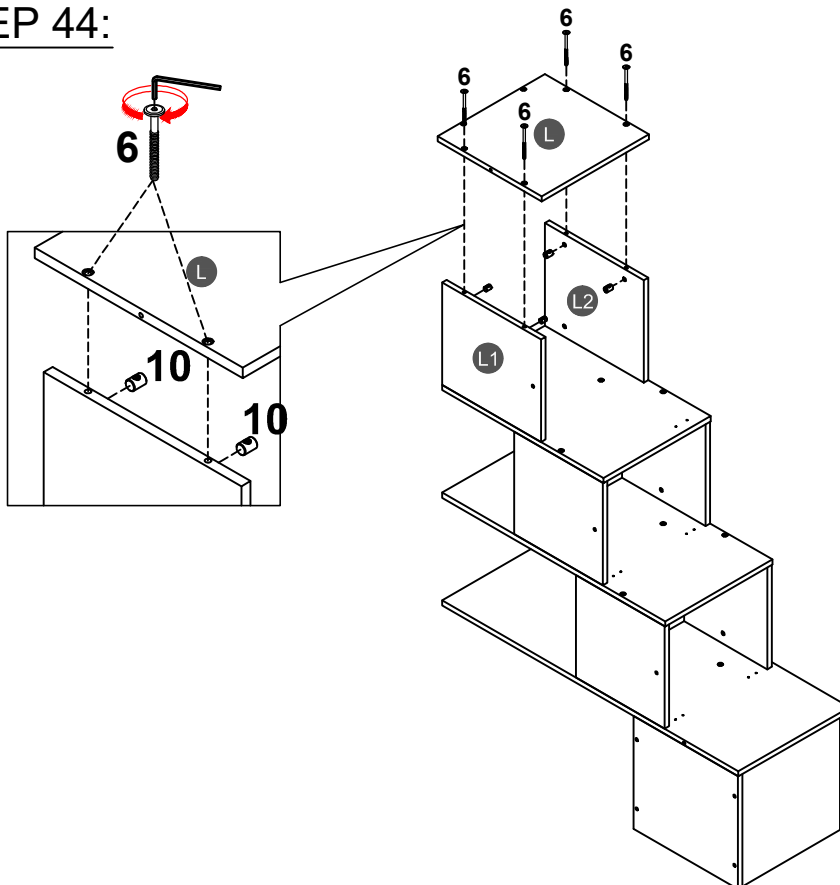
STEP 43:





3 	6 	10 
5PCS	4PCS	4PCS






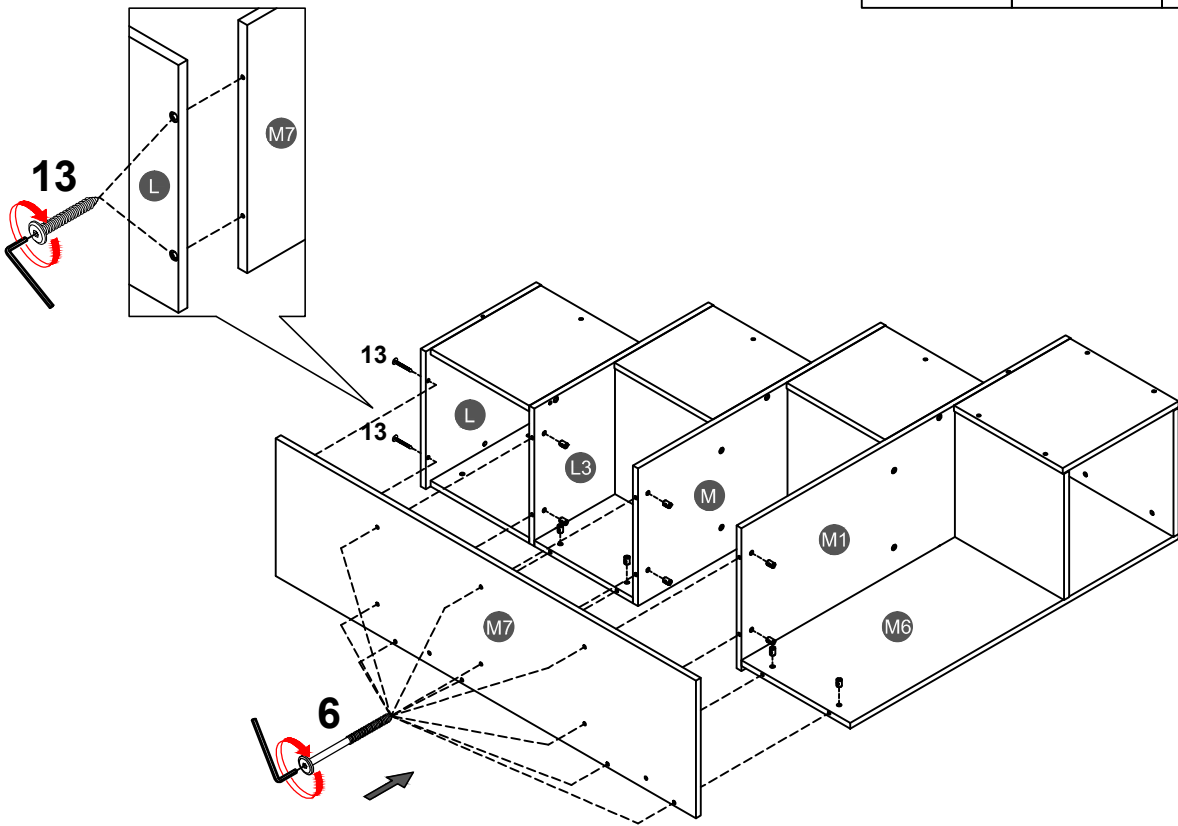
STEP 44:



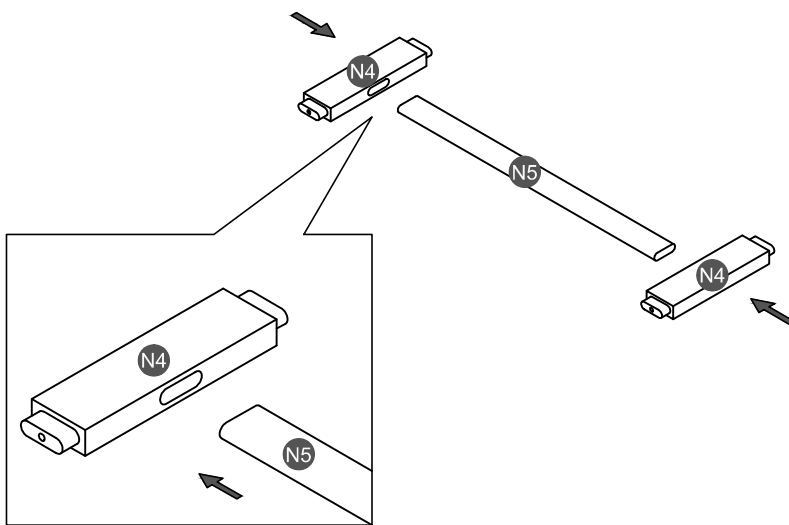
6 	10 
4PCS	4PCS

STEP 45:

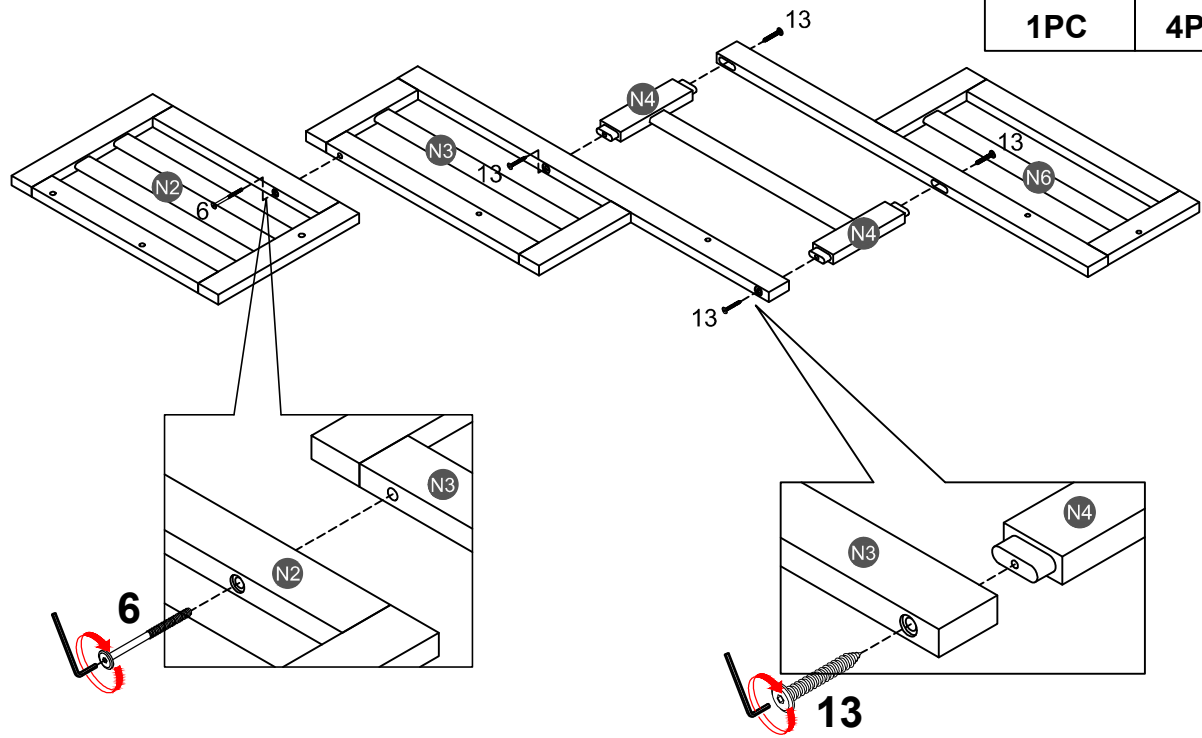
6		10		13	
10PCS		10PCS		2PCS	



STEP 46:

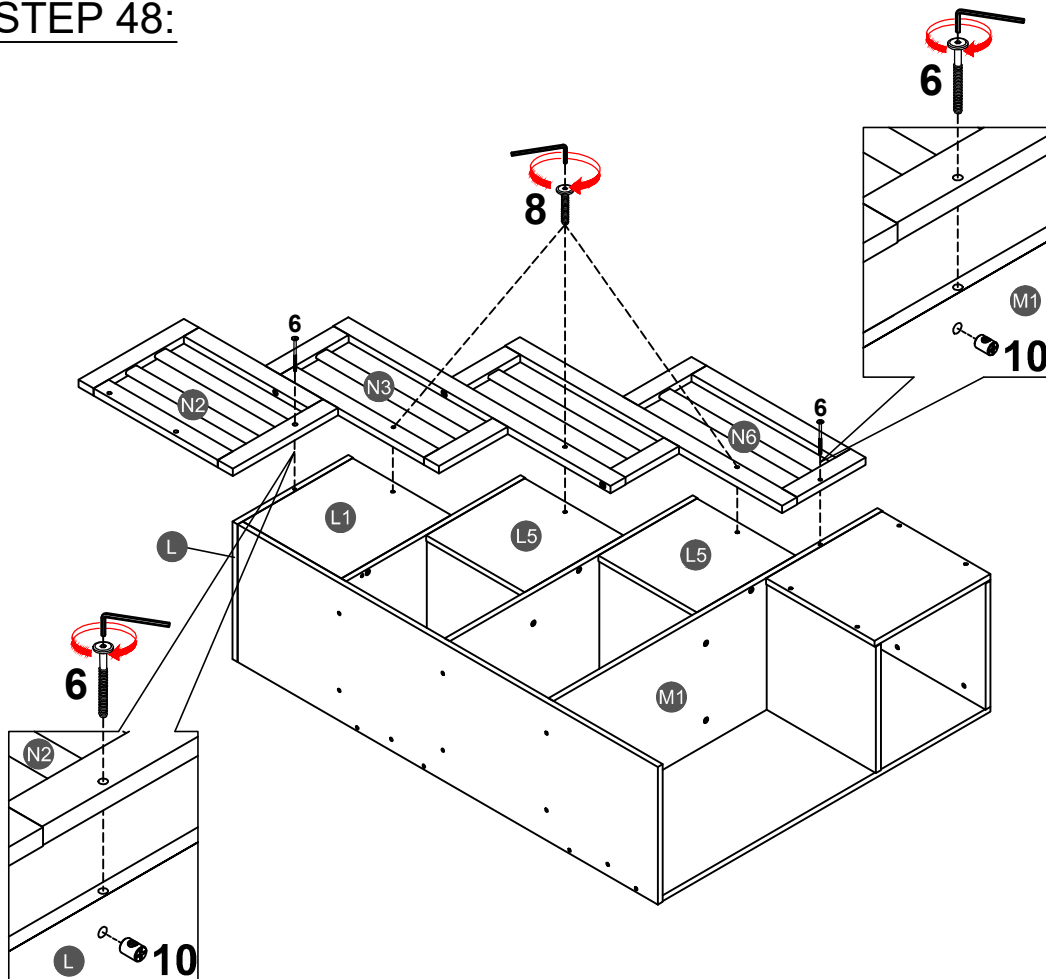


STEP 47:





6		13	
1PC		4PCS	

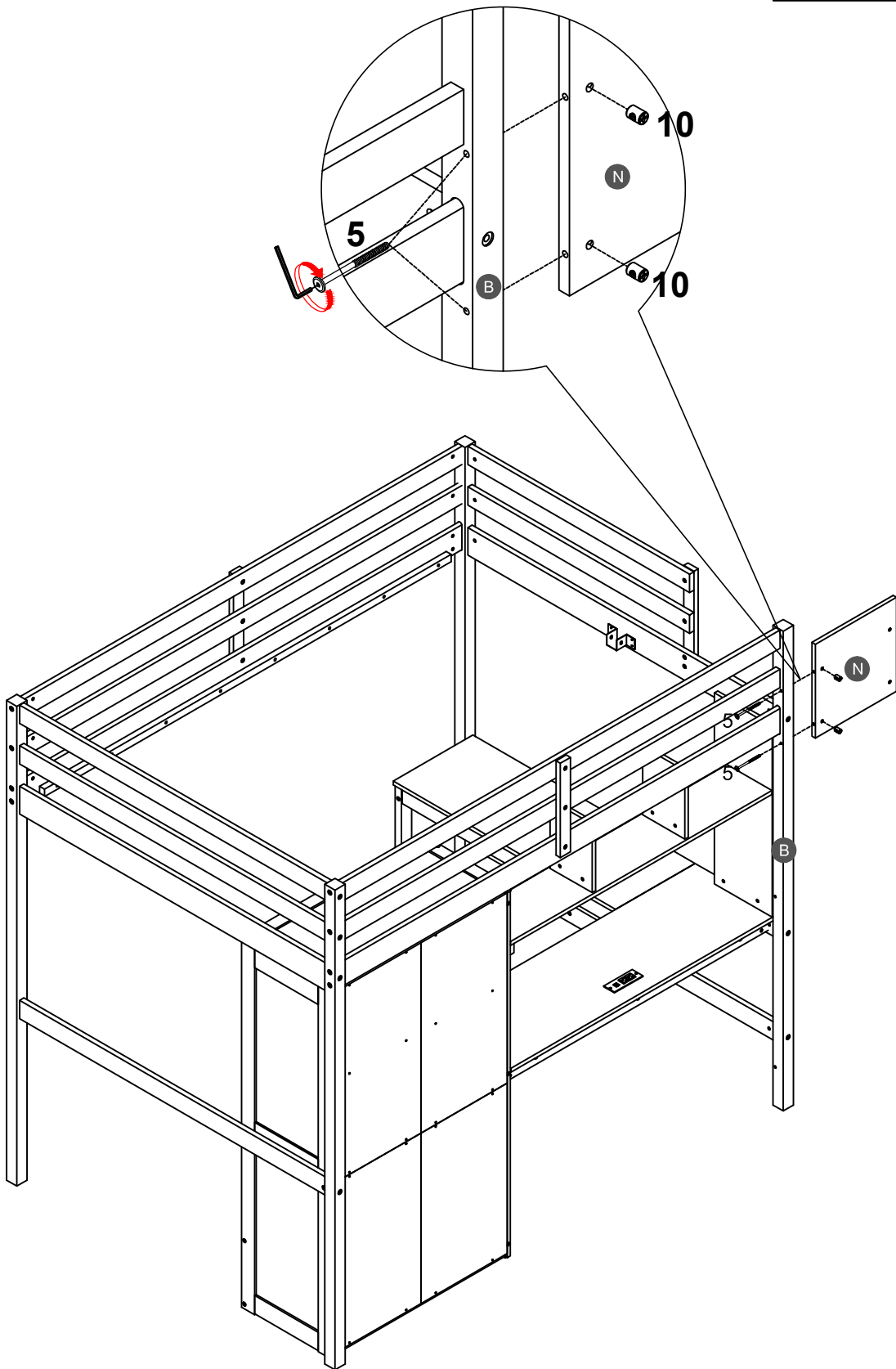
STEP 48:






6		2PCS
8		3PCS
10		2PCS

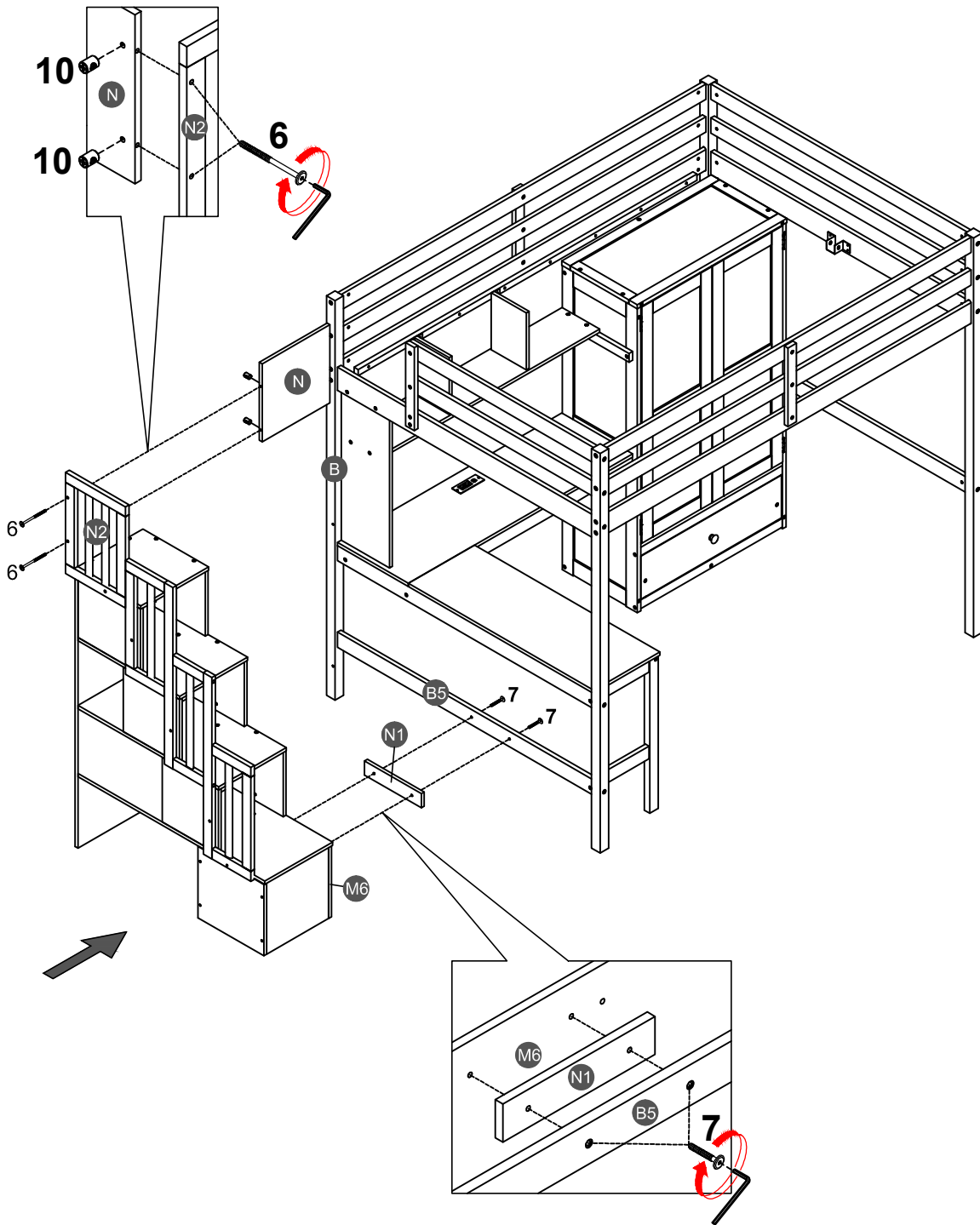
STEP 49:

5		10	
2PCS		2PCS	





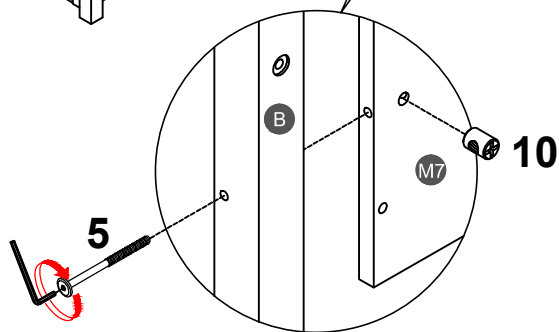
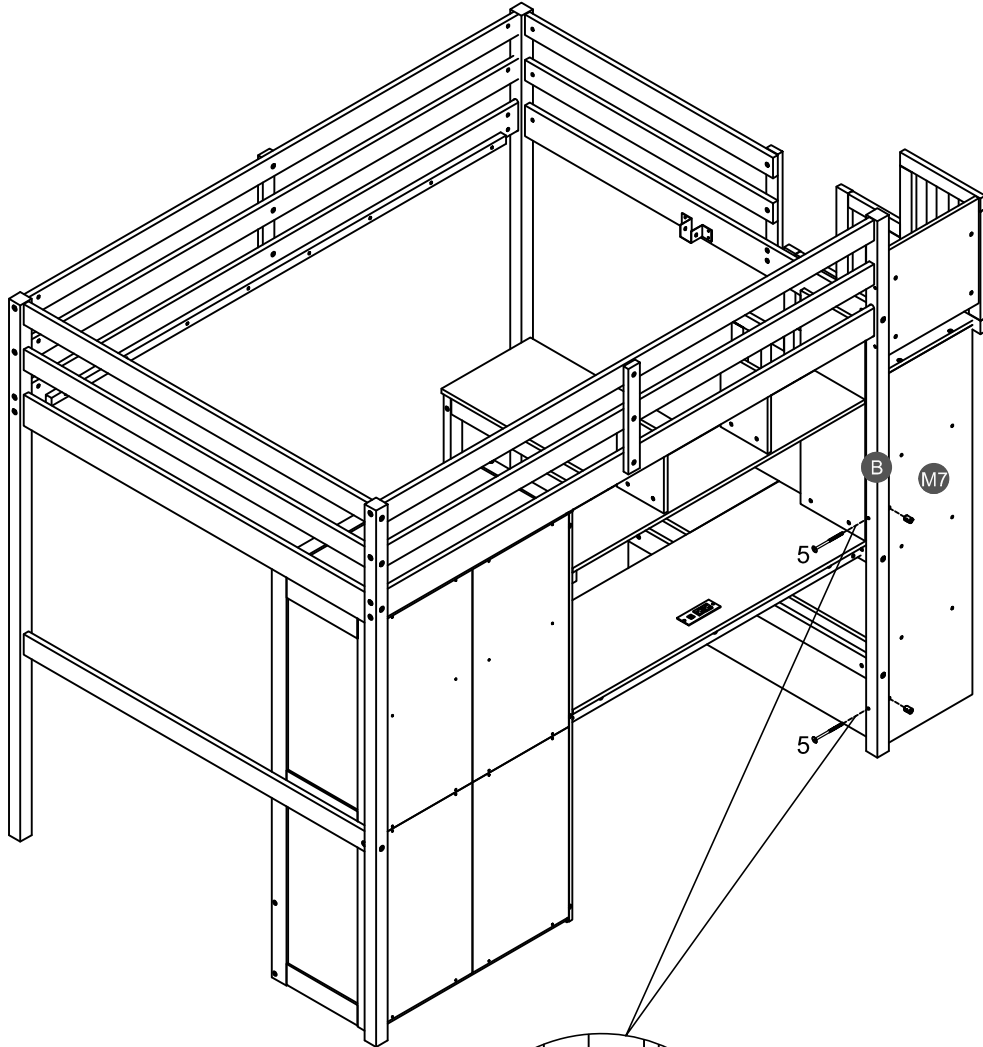
STEP 50:

6		7		10	
2PCS		2PCS		4PCS	


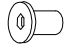


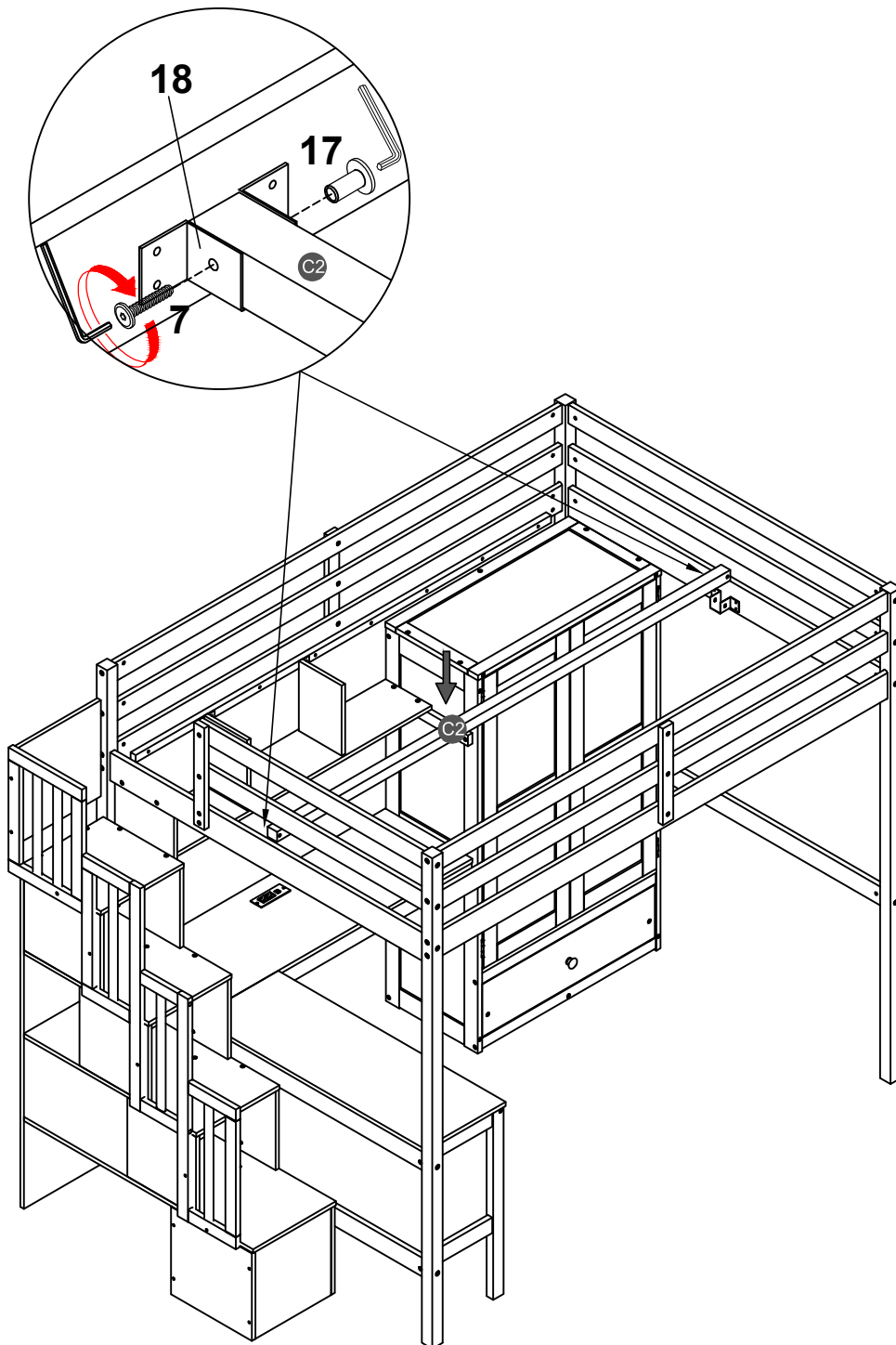
STEP 51:

5		10	
2PCS		2PCS	




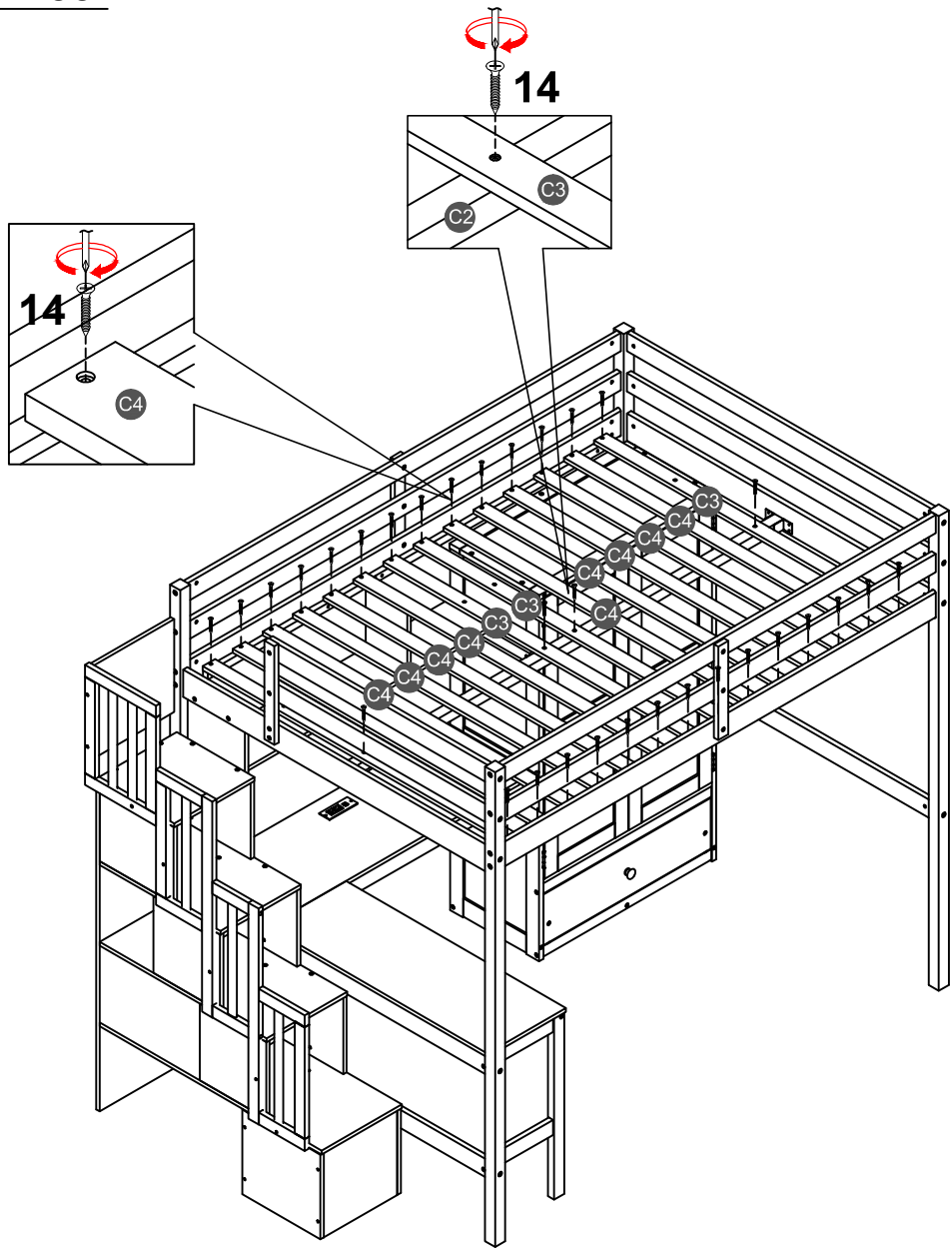
STEP 52:

7	17
	
2PCS	2PCS

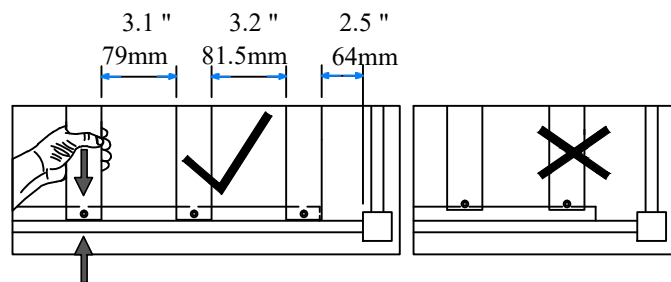


STEP 53:

14	
32PCS	



For better fixing effect, there is no pre-drilled hole on the side rails. Please use self-tapping screws to fix it.



NOTE: Please make sure the bed slats close to the side rail before locking the screws to avoid breakage. This step is required for both the left and right sides. Moreover, please do not lock the screws of the bed slats at the outermost edge to avoid damaging.

